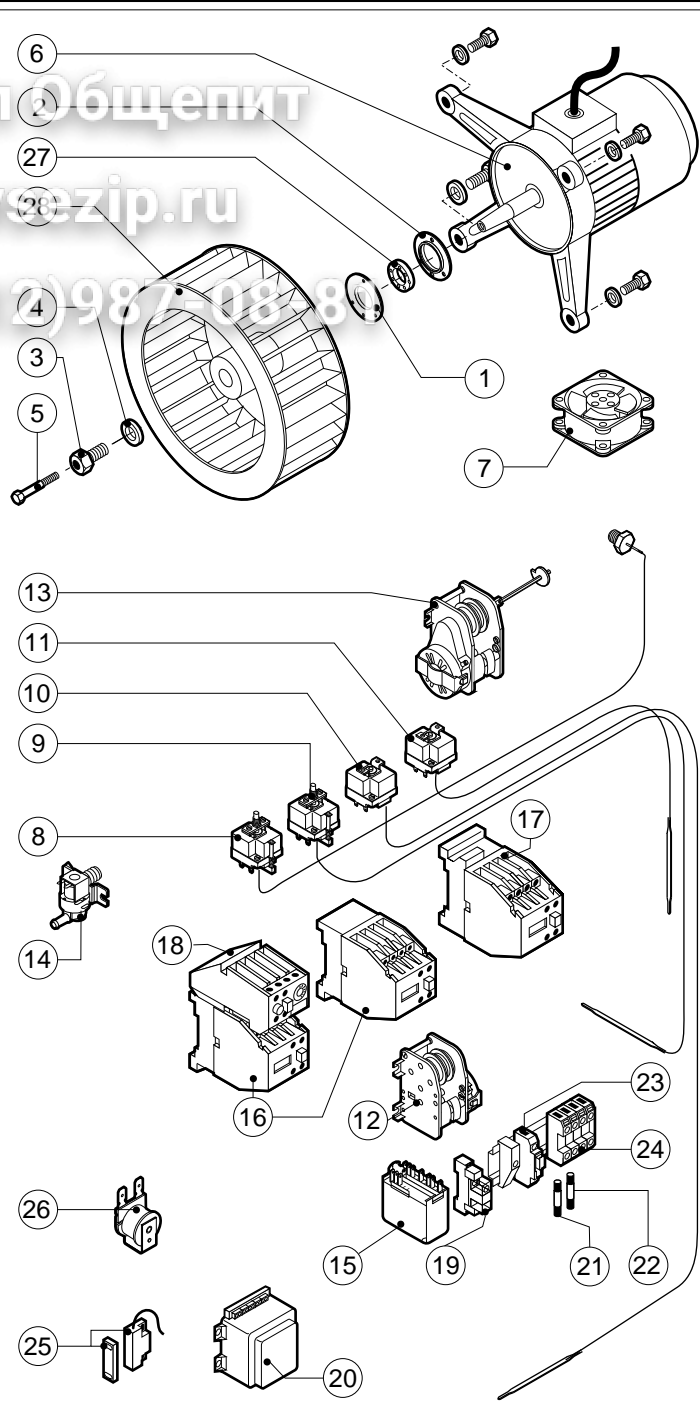
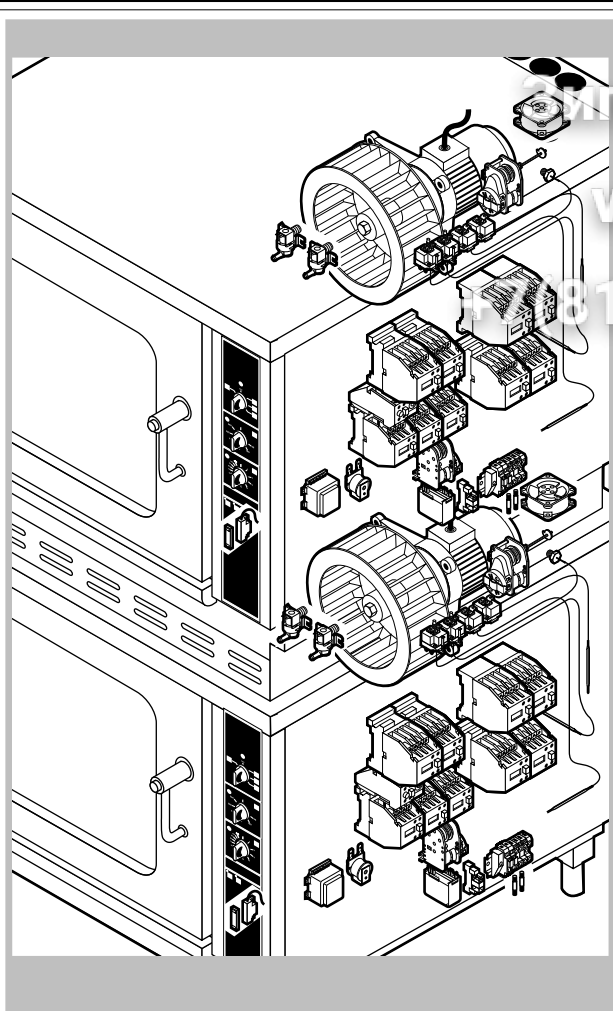


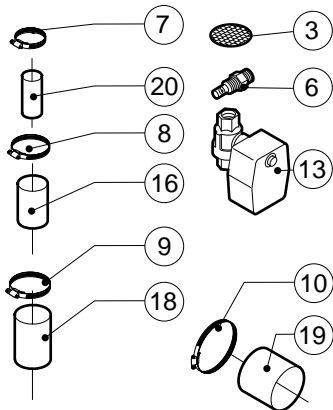
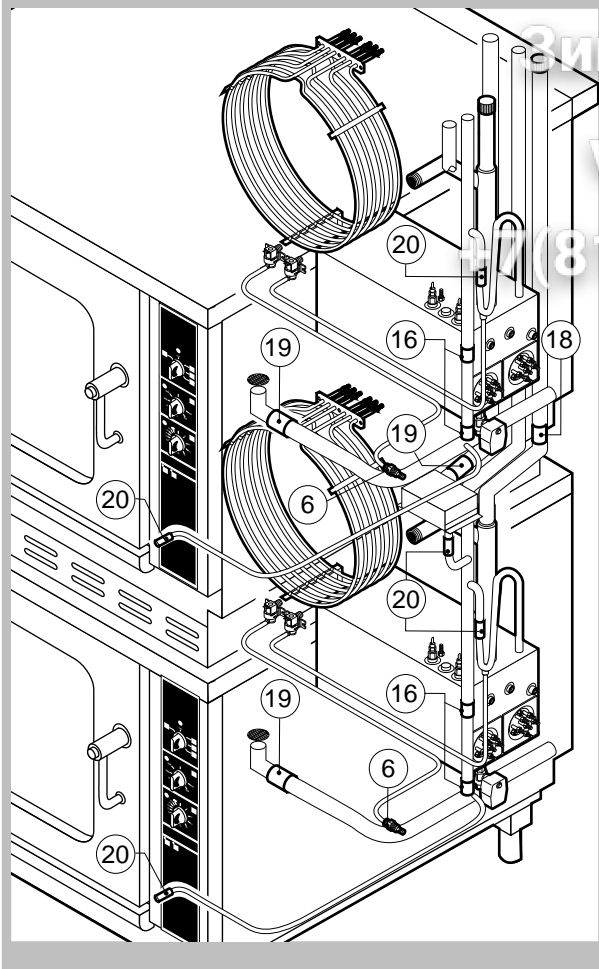
POS.	CODE	PIECES	DESCRIPTION
1	R58003840	2	MOTOR GASKET BRASS FLANGE
2	R58003850	2	MOTOR GASKET BRASS COUNTER FLANGE
3	R58004000	2	FAN SCREW M12x1.5 SX
4	R58004010	2	FAN WASHER Ø 30/12.5
5	R61020562	2	FAN SCREW TE A2 M6x55
6	R65040061	2	MOTOR HP 1 KIT
7	R65060010	2	COMPONENTS VENTILATION MOTOR Ø 80
8	R65070075	2	CHAMBER SAFETY THERMOSTAT
9	R65070080	2	STEAM GENERATOR SAFETY THERMOSTAT
10	R65070165	2	THERMOSTAT 65°C
11	R65070240	2	THERMOSTAT 70°C
12	R65090180	2	REVERSING SWITCH 8'
13	R65095010	2	DAMPER SYSTEM
14	R65110120	4	SOLENOID VALVE 220V 60HZ
15	R65120010	2	LEVEL REGULATOR
16	R65140140	6	CONTACTOR 3TF4011-OAN2 220V
17	R65140230	6	CONTACTOR 3TF4211-OAN2 220V
18	R65140450	6	CONTACTOR 3TF4422-OAN2 220V
19	R65160130	2	THERMIC PROTECTION 3UA5000-1F 3.2-5A

POS.	CODE	PIECES	DESCRIPTION
20	R65170050	2	RELAY 4052 240V AC 10A
21	R65200120	2	FUSE 0.1A (T)
22	R65200200	2	FUSE 2A
23	R65210020	4	FUSE CARRIER
24	R65220080	2	TERMINAL BOARD
25	R65265100	2	DOOR SWITCH
26	R65330010	2	BUZZER
27	R70020050	2	MOTOR GASKET
28	R75400370	2	FAN Ø 350x120/16 60HZ P.D. KIT

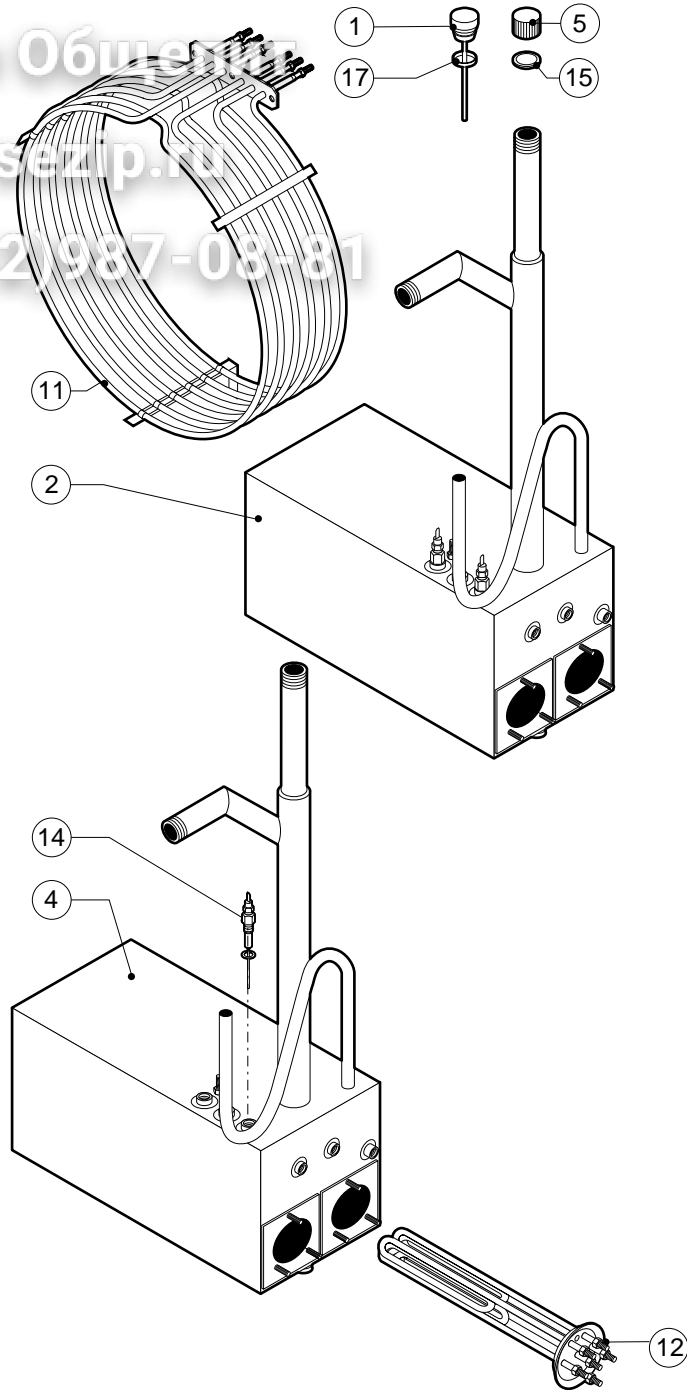


POS.	CODE	PIECES	DESCRIPTION
1	R58003840	2	MOTOR GASKET BRASS FLANGE
2	R58003850	2	MOTOR GASKET BRASS COUNTER FLANGE
3	R58004000	2	FAN SCREW M12x1.5 SX
4	R58004010	2	FAN WASHER Ø 30/12.5
5	R61020562	2	FAN SCREW TE A2 M6x55
6	R65040770	2	MOTOR HP 1 KIT
7	R65060010	2	COMPONENTS VENTILATION MOTOR Ø 80
8	R65070075	2	CHAMBER SAFETY THERMOSTAT
9	R65070080	2	STEAM GENERATOR SAFETY THERMOSTAT
10	R65070165	2	THERMOSTAT 65°C
11	R65070240	2	THERMOSTAT 70°C
12	R65090180	2	REVERSING SWITCH 8'
13	R65095010	2	DAMPER SYSTEM
14	R65110120	4	SOLENOID VALVE 220V 60HZ
15	R65120010	2	LEVEL REGULATOR
16	R65140140	12	CONTACTOR 3TF4011-OAN2 220V
17	R65140230	6	CONTACTOR 3TF4211-OAN2 220V
18	R65160120	2	THERMIC PROTECTION 3UA5000-1C 1.6-2.5A
19	R65170050	2	RELAY 4052 240V AC 10A

POS.	CODE	PIECES	DESCRIPTION
20	R65180365	1	AUTOTRANSFORMER 250VA
21	R65200120	2	FUSE 0.1A (T)
22	R65200200	2	FUSE 2A
23	R65210020	4	FUSE CARRIER
24	R65220080	2	TERMINAL BOARD
25	R65265100	2	DOOR SWITCH
26	R65330010	2	BUZZER
27	R70020050	2	MOTOR GASKET
28	R75400370	2	FAN Ø 350x120/16 60HZ P.D. KIT



POS.	CODE	PIECES	DESCRIPTION
1	R10100140	2	DAMPER SYSTEM CAP
2	R10102850	2	STEAM GENERATOR ASSEMBLY
3	R10201710	2	DRAIN FILTER
4	R10220670	2	STEAM GENERATOR
5	R58005680	2	STEAM GENERATOR DESCALING CAP 1"1/4 F
6	R58006100	2	STEAM QUENCHING NOZZLE Ø 1.5
7	R61630011	18	METAL CLAMPS 12-22/9
8	R61630021	6	METAL CLAMPS 30-45/9
9	R61630031	6	METAL CLAMPS 40-60/9
10	R61630041	4	METAL CLAMPS 70-90/9
11	R65011330	2	CHAMBER HEATING ELEMENT 15000W
12	R65020340	4	STEAM GENERATOR HEATING ELEMENT 7500W
13	R65110540	2	STEAM GENERATOR DRAIN MOTORIZED VALVE
14	R65320010	4	STEAM GENERATOR LEVEL PROBE
15	R70050040	2	STEAM GENERATOR CAP GASKET
16	R70060010	4	SILICON COUPLING Ø 30
17	R70060020	2	DAMPER SYSTEM CAP GASKET
17	R70060030	1	SILICON COUPLING Ø 40
18	R70060040	3	SILICON COUPLING Ø 50



POS.	CODE	PIECES	DESCRIPTION
19	R70060060	5	SILICON COUPLING Ø 15