

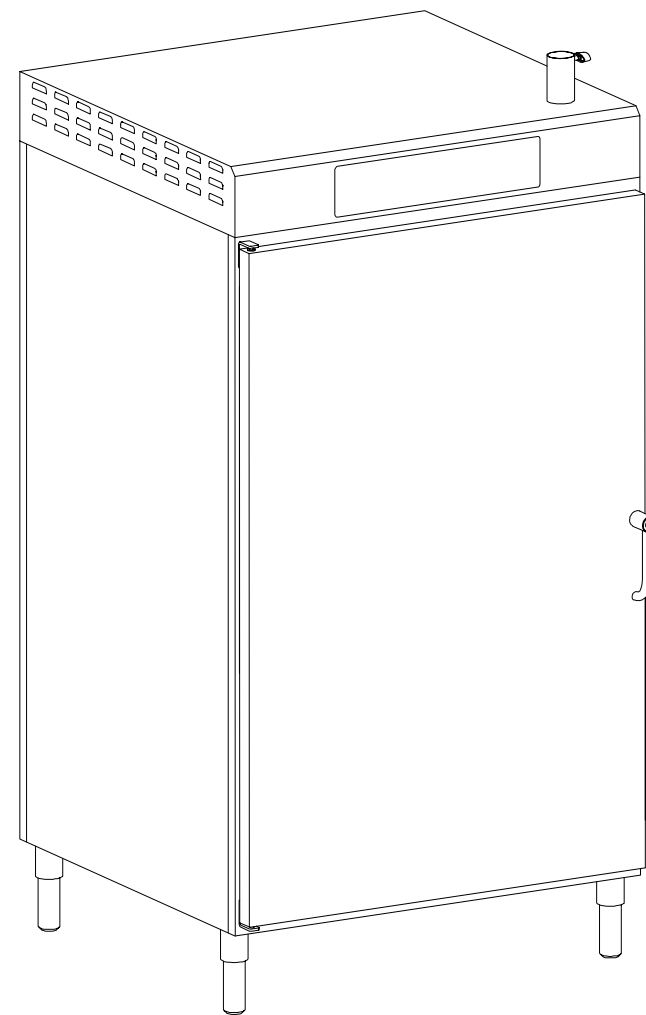
---

Зип Общепит

vsezip.ru

+7(812)987-08-81

ESPLOSO  
EXPLODED DRAWINGS  
VUE ÉCLATÉE  
EXPLOSIONZRECHNUNGEN  
DESPEÇE



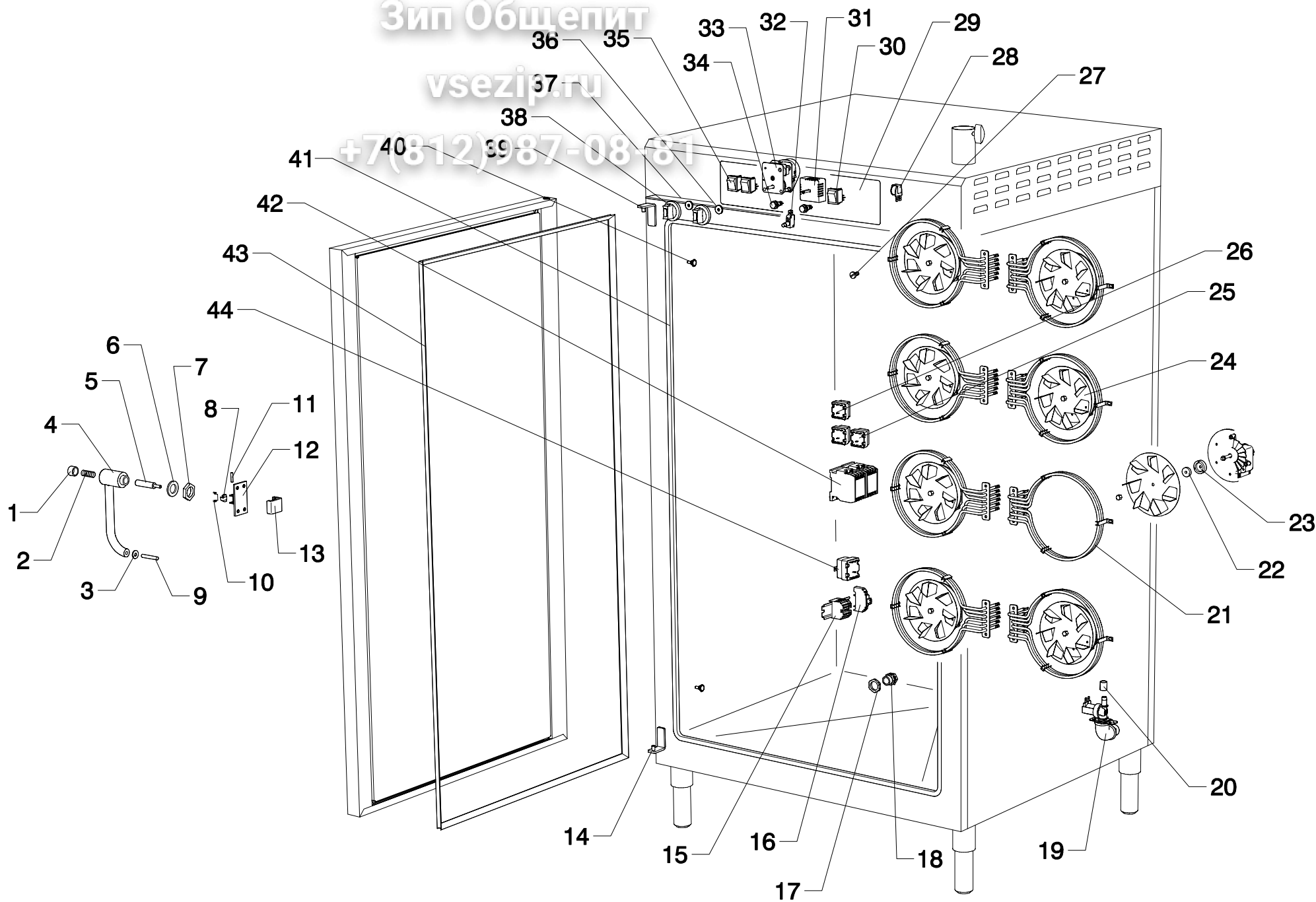
Mod. RB142/M

---

Зип Общежит

vsezip.ru

+7(812)987-08 81



| POS. | COD.      | QT. | DESCRIZIONE                            | DESCRIPTION                         | DESCRIPTION                          | BESCHREIBUNG                          | DESCRIPCIONES                        |
|------|-----------|-----|--|-------------------------------------|--------------------------------------|---------------------------------------|--------------------------------------|
| 1    | A23100850 | 1   | PULSANTE MANIGLIA                      | DOOR HANDLE PUSH BUTTON             | TOUCHE POIGNEE                       | TUERGRIFFKNOPF                        | PULSADOR MANETA                      |
| 2    | A33200340 | 1   | MOLLA PULSANTE MANIGLIA                | DOOR HANDLE BUTTTON SPRING          | RESSORT POUSSOIR                     | FEDER F. GRIFFKNOPF                   | MUELLE PULSADOR MANETA               |
| 3    | A23100870 | 1   | RONDELLA ISOLANTE INFERIORE MANIGLIA   | DOOR HANDLE LOWER INSULATION WASHER | RONDELLE ISOLANTE INFERIEURE POIGNEE | UNTERE ISOLIERSCHEIBE F. TUEGRIFF     | ARANDELA AISLANTE INFERIOR MANETA    |
| 4    | A33200450 | 1   | IMPUGNATURA MANIGLIA                   | DOOR HANDLE                         | POIGNEE                              | TUEGRIFF                              | MANETA                               |
| 5    | A23100830 | 1   | ASTA PULSANTE MANIGLIA                 | DOOR HANDLE PUSH BUTTON             | TIGE TOUCHE POIGNEE                  | STAB F. TUEGRIFFKNOPF                 | EJE PULSADOR MANETA                  |
| 6    | A23100860 | 1   | RONDELLA ISOLANTE MANIGLIA             | DOOR HANDLE LOWER INSULATION WASHER | RONDELLE ISOLANTE POIGNEE            | ISOLIERSCHEIBE F. TUEGRIFF            | ARANDELA AISLANTE MANETA             |
| 7    | A33200330 | 1   | GHIERA 18X1                            | RING NUT M18x1                      | COLLIER M18x1                        | BEFESTIGUNGSRING M18x1                | ABRAZADERA M18x1                     |
| 8    | A33200360 | 1   | NASELLO MANIGLIA                       | DOOR HANDLE RING                    | DECLIC POIGNEE                       | SCHLIESSNASE                          | PICAPORTE MANETA                     |
| 9    | AM2400590 | 1   | DISTANZIALE MANIGLIA                   | DOOR HANDLE SPACER                  | ENTRETOISE POIGNEE                   | DISTANZROHR F. TUEGRIFF               | DISTANCIADOR MANETA                  |
| 10   | A33200380 | 1   | MOLLA NASELLO MANIGLIA                 | DOOR HANDLE CATCH SPRING            | RESSORT FERMETURE                    | FEDER F. SCHLIESSNASE                 | MUELLE PICAPORTE MANETA              |
| 11   | A33200370 | 1   | PERNO NASELLO MANIGLIA                 | DOOR HANDLE PRONG PIN               | CHEVILLE DECLIC POIGNEE              | ZAPFEN F. SCHLIESSNASE AM TUEGRIFF    | PERNO PICAPORTE MANETA               |
| 12   | A33200350 | 1   | FLANGIA NASELLO MANIGLIA COMPLETA      | PRONG FLANGE                        | BRIDE DECLIC                         | FLANSCH                               | PULSADOR MANETA COMPLETO             |
| 13   | A33200390 | 1   | AGGANCIO NASELLO MANIGLIA              | DOOR HANDLE PRONG COUPLER           | CROCHET DECLIC POIGNEE               | HAKEN F. SCHLIESSNASE                 | ENGANCHE PICAPORTE MANETA            |
| 14   | AM1400020 | 1   | CERNIERA INFERIORE                     | LOWER DOOR HINGE                    | CHARNIERE INFERIEURE                 | UNTERES SCHARNIER                     | BISAGRA INFERIOR                     |
| 15   | A34201840 | 1   | MORSETTIERA LX3                        | TERMINAL BOARD LX3                  | BORNIER LX3                          | KLEMMLEISTE LX3                       | REGLETERA LX3                        |
| 16   | A34201230 | 1   | PORTAFUSIBILE BARRA DIN                | FUSE CARRIER                        | PORTE-FUSIBLE                        | SICHERUNGSHALTER                      | PORTAFUSIBILE                        |
| 16a  | A34201250 | 1   | FUSIBILE 2A                            | FUSE 2A                             | FUSIBLE 2A                           | SCHMELZSICHERUNG 2A                   | FUSIBILE 2A                          |
| 17   | A34201370 | 1   | CONTRODADO PG21                        | CABLE GLAND LOCK NUT                | CONTRE-ECROU POUR RONDELLE FIXATION  | MUTTER                                | CONTRODADO PASACABLE                 |
| 18   | A34201360 | 1   | PRESSACAVO PG21                        | CABLE/GLAND                         | RONDELLE FIXATION                    | ENTZUGLASTUNG                         | PASACABLE                            |
| 19   | A34300010 | 1   | ELETTROVALVOLA M3/4 220V 50Hz          | SOLENOID VALVE M3/4 220V 50Hz       | ELECTROVANNE M3/4 220V 50Hz          | MAGNETVENTIL M3/4 220V 50Hz           | ELECTROVALVULA SIMPLE M3/4 220V 50Hz |
| 20   | A34300590 | 1   | RIDUTTORE DI PORTATA VERDE             | FLOW REDUCER                        | REGULATEUR DE DEBIT                  | DRUCKMINDERER                         | REDUCTOR CAUDAL                      |
| 21   | A34300510 | 8   | RESISTENZA 3150W 230V                  | HEATING ELEMENT 3150W 230V          | RESISTANCE 3150W 230V                | HEIZKOEPPER 3150W 230V                | RESISTENCIA 3150W 230V               |
| 22   | A32100440 | 8   | GUARNIZIONE DI TENUTA MM/4             | MOTOR GASKET                        | GARNITURE MOTEUR                     | MOTORDICHTUNG                         | JUNTA MOTOR                          |
| 23   | A33200400 | 8   | SEDE PER TENUTA D7/22X7                | MOTOR GASKET BRASS FLANGE D7/22x7   | BRIDE JOINT MOTEUR D7/22x7           | FLANSCH F. MOTORDICHTUNG D7/22x7      | BRIDA JUNTA MOTOR D7/22x7            |
| 24   | A34300420 | 8   | VENTILATORE C30XOL13/05 240V           | VENTILATION MOTOR C30xOL13/05 240V  | MOTEUR C30xOL13/05 240V              | MOTOR C30xOL13/05 240V                | VENTILADOR C30xOL13/05 240V          |
| 25   | A34100270 | 2   | TERMOSTATO 45°-170°C                   | THERMOSTAT 45°-170°C                | THERMOSTAT 45°-170°C                 | THERMOSTAT 45°-170°C                  | KIT TERMOSTATO 45°-170°C             |
| 26   | A34100030 | 1   | TERMOSTATO 30°-110°C                   | THERMOSTAT 30°-110°C                | THERMOSTAT 30°-110°C                 | THERMOSTAT 30°-110°C                  | KIT TERMOSTATO 30°-110°C             |
| 27   | A23100890 | 2   | VITE FERMO DEFLETTORE                  | FAN GUARD FASTENING SCREW           | VIS DEFLECTEUR                       | SCHRAUBE F. LUFTLEITBLECH             | TORNILLO CIERRE DEFLECTOR            |
| 28   | A34100750 | 1   | SUONERIA 220V                          | BUZZER 220V                         | SONNERIE 220V                        | SUMMER 220V                           | ZUMBADOR 220V                        |
| 29   | A23501600 | 1   | TARGA RENOVA RB/RP M                   | RENOVA PLATE RB/RP M                | PLAQUE RENOVA RB/RP M                | BEDIENUNGSFOLIE RENOVA RB/RP M        | PLACA RENOVA RB/RP M                 |
| 30   | A34100150 | 2   | DEVIATORE 2P 16A 250V                  | CURRENT EXCHANGE SWITCH 2P 16A 250V | INTERRUPTEUR INVERSEUR               | UMSCHALTER 2P 16A 250V                | INTERRUPTOR BIPOLAR                  |
| 31   | A34100700 | 1   | REGOLATORE ENERGIA                     | ENERGY REGULATOR                    | REGULATEUR D'ENERGIE                 | ENERGIEREGLER                         | REGULADOR ENERGIA                    |
| 32   | A34100910 | 1   | MICRO PORTA                            | DOOR SWITCH                         | MICRO PORTE                          | TUERSCHALTER                          | MICRO PUERTA                         |
| 33   | A34100730 | 1   | CONTAMINUTI 90'                        | TIMER 90'                           | TIMER 90'                            | TIMER 90'                             | PROGRAMADOR 90'                      |
| 34   | A34200310 | 2   | SPIA LUMINOSA VERDE                    | GREEN INDICATING LIGHT              | LAMPE TEMOIN VERT                    | GRUENE KONTROLLAMPE                   | LAMPARA PILOTO VERDE                 |
| 35   | A34100342 | 1   | INTERRUTTORE LUMINOSO VERDE            | GREEN LIGHT SWITCH                  | INTERRUPTEUR VERT                    | GRUENER SCHALTER                      | INTERRUPTOR VERDE                    |
| 36   | A32100550 | 2   | GUARNIZIONE MANOPOLA                   | KNOB GASKET                         | ETANCHEITE POIGNEE COMMANDE          | DICHTUNG DES BEDIENUNGSKNEBELS        | JUNTA MANETA                         |
| 37   | A23203130 | 1   | GUARNIZIONE COPERCHIO RB/RP072/102/142 | COVER PANEL GASKET RB/RP072/102/142 | JOINT COUVERCLE RB/RP072/102/142     | DICHTUNG FUER DECKEL RB/RP072/102/142 | JUNTA TAPA RB/RP072/102/142          |
| 38   | A34100920 | 2   | MANOPOLA RENOVA GRIGIA NERA            | KNOB RENOVA                         | POIGNEE COMMANDE RENOVA              | DREHKNOPF RENOVA                      | MANETA RENOVA                        |
| 39   | AM1400010 | 1   | ASSIEME CERNIERA SUPERIORE             | UPPER DOOR HINGE                    | CHARNIERE SUPERIEURE                 | OBERES SCHARNIER                      | BISAGRA SUPERIOR                     |
| 40   | A23100930 | 4   | PERNO SUPPORTO PARATIA                 | SIDE RUNNERS SUPPORT                | SUPPORT GLISSIERES                   | BOLZEN AUFLAGESCHIENEN                | PERNO PARATIA                        |
| 41   | A23203190 | 1   | GUARNIZIONE FACCIATA RB/RP142          | FRONT GASKET RB/RP142               | JOINT FACADE RB/RP142                | DICHTUNG DER FRONTSEITE RB/RP142      | JUNTA FRONTAL RB/RP142               |
| 42   | A34100870 | 2   | TELERUTTORE 3RT1025-1A                 | CONTACTOR 3RT1025-1A                | CONTACTEUR 3RT1025-1A                | SCHUETZ 3RT1025-1A                    | CONTACTOR 3RT1025-1A                 |
| 43   | A23203110 | 1   | GUARNIZIONE PORTA RB/RP142             | DOOR GASKET RB/RP142                | JOINT DE PORTE RB/RP142              | TUERDICHTUNG RB/RP142                 | JUNTA PUERTA RB/RP142                |
| 44   | A34100780 | 1   | TERMOSTATO SICUREZZA 320°C             | SAFETY THERMOSTAT 320°C             | THERMOSTAT DE SECURITE 320°C         | SICHERHEITS-THERMOSTAT 320°C          | KIT TERMOSTATO SEGURIDAD 320°C       |
| 45   | A34100880 | 2   | TELERUTTORE 3RT1016-1A                 | CONTACTOR 3RT1016-1A                | CONTACTEUR 3RT1016-1A                | SCHUETZ 3RT1016-1A                    | CONTACTOR 3RT1016-1A                 |

*Storia delle revisioni*

| Nr. | Data | Punto | Natura della correzione | Type of correction | Type de correction | Sentido de la correccion | Verbesserungsart |
|-----|------|-------|-------------------------|--------------------|--------------------|--------------------------|------------------|
|     |      |       |                         |                    |                    |                          |                  |
|     |      |       |                         |                    |                    |                          |                  |
|     |      |       |                         |                    |                    |                          |                  |
|     |      |       |                         |                    |                    |                          |                  |
|     |      |       |                         |                    |                    |                          |                  |
|     |      |       |                         |                    |                    |                          |                  |
|     |      |       |                         |                    |                    |                          |                  |
|     |      |       |                         |                    |                    |                          |                  |
|     |      |       |                         |                    |                    |                          |                  |
|     |      |       |                         |                    |                    |                          |                  |
|     |      |       |                         |                    |                    |                          |                  |
|     |      |       |                         |                    |                    |                          |                  |
|     |      |       |                         |                    |                    |                          |                  |
|     |      |       |                         |                    |                    |                          |                  |
|     |      |       |                         |                    |                    |                          |                  |
|     |      |       |                         |                    |                    |                          |                  |
|     |      |       |                         |                    |                    |                          |                  |
|     |      |       |                         |                    |                    |                          |                  |
|     |      |       |                         |                    |                    |                          |                  |
|     |      |       |                         |                    |                    |                          |                  |

Verifica:                    Ufficio tecnico                    .....

Emissione:                    Ufficio tecnico                    .....

Approvazione:                    Direzione tecnica                    .....