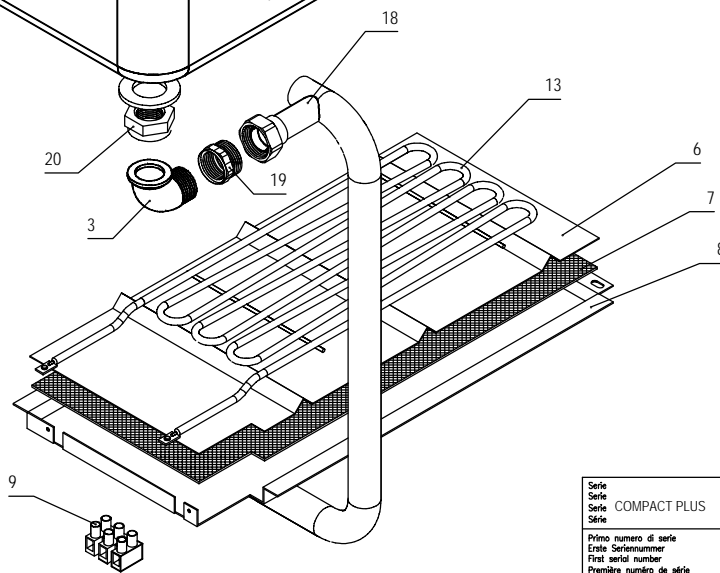
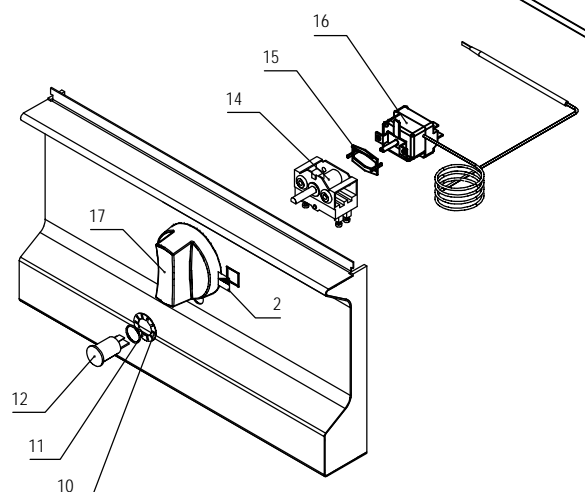
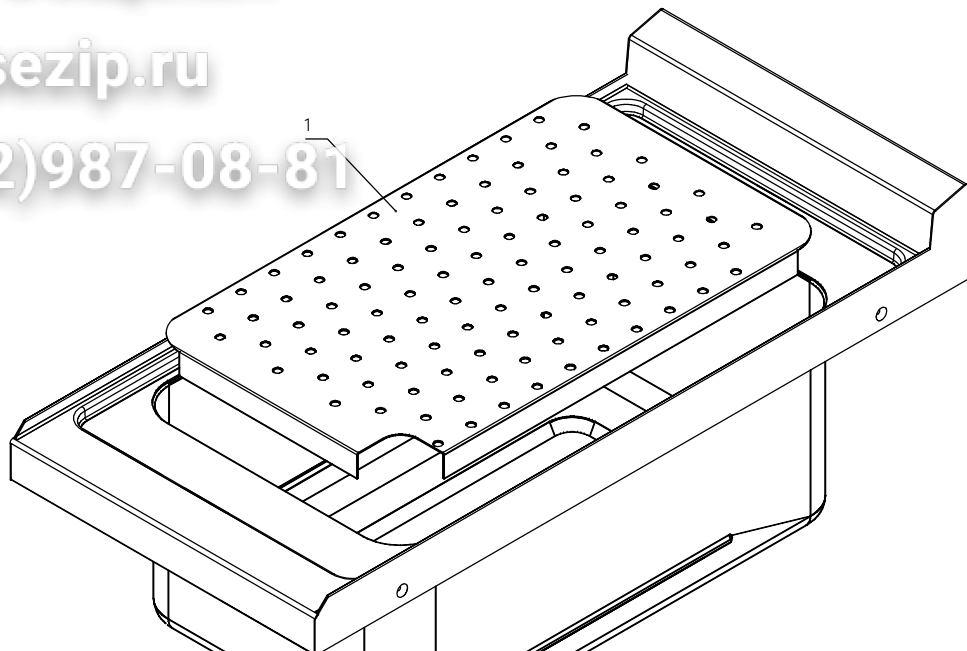
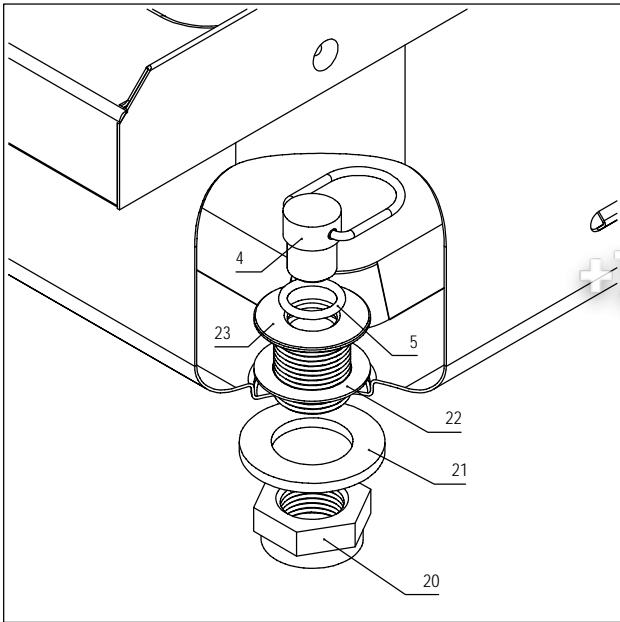


Зип Общепит

vsezip.ru

+7(812)987-08-81



| | | | | | | |
|--|--------------|---|----------------|-------------------------|------------|---|
| Serie Serie Série | COMPACT PLUS | Modello Model Model | BU/35 | Codice Kodex Code | 0114810044 | Tav. Detail Détail |
| Primo numero di serie Erste Seriennummer First serial number Première numéro de série | | Ultimo numero di serie Letzte Seriennummer Last serial number Dernière numéro de série | | | | Revisione Revision Révision |
| Disegnato Gezeichnet | T. Tschigg | Approvato Geprüft | <i>Tschigg</i> | File Datei | BU35.DWG | Data Datum |
| ambach GROSSKÜCHENTECHNIK - GRANDI CUCINE | | | | | | 39052 Kaltem-Caldaro-ITALY Tel. 0471-662213 Telefax 0471-662065 |

0114810044 Model: BU/35
Elektro Wasserbad - Unterbau offen
Electric bain marie - lower section open
Bagnomaria elettrico - vano a giorno
Bain marie électrique - partie inf. ouvert

| | Code | Beschreibung | Descrizione | Description | Désignation | | St/Qty | Start | Finish | Serialnr. |
|----|------------|-----------------------------|--------------------------------|---------------------------------|--------------------------------|----------------|--------|-------|--------|-----------|
| 1 | 3001602030 | Boden gelocht | Fondo forato | Perforated bottom | Double fond perforé | BM/BU/35/70 | 1 | | | |
| 2 | 5025009441 | Schild | Targhetta | Label | Plaque | 13x13 mm | 1 | | | |
| 3 | 5050120703 | Bogen Messing | Gomito ottone | Elbow brass | Raccord coudé en laiton | Fig. 92 3/4" | 1 | | | |
| 4 | 5014509026 | Stopfen | Tappo | Stopper | Bouchon | BU/35/70 | 1 | | | |
| 5 | 5017309115 | Dichtung O-Ring | Guarnizione O-ring | Seal O-ring | Joint torique d'étanchéité | BU/35/70 | 1 | | | |
| 6 | 3006709114 | Isolierblech innen | Lamiera isolamento interna | Internal insulation plate | Tôle isolante intérieure | BU/35/70 | 1 | | | |
| 7 | 5006801974 | Isoliermatte "Cerapaper" | Isolazione interna "Cerapaper" | Internal insulation "Cerapaper" | Calorifugeage int. "Cerapaper" | | 0,076 | | | |
| 8 | 3006711782 | Isolierblech außen | Lamiera isolante esterna | External insulation plate | Tôle isolante extérieure | BU/EBM | 1 | | | |
| 9 | 3560510385 | Anschlußklemme 3P | Morsettiera 3P | Connection terminal 3P | Borne de raccordement 3P | PA/76 Sez-6 | 1 | | | |
| 10 | 5040209715 | Befestigungsscheibe | Rondella fissaggio | Fastening washer | Rondelle de fixation | D=26 Di=15 | 1 | | | |
| 11 | 5017309716 | Silikondichtring | Guarnizione anello silicone | Silicon sealing ring | Bague d'étanchéité en silicone | D=18/16x0,5 | 1 | | | |
| 12 | 5061111706 | Signalleuchte gelb | Lampada spia gialla | Yellow control lamp | Voyant lumineux jaune | SGF 230V | 1 | | | |
| 13 | 5060811860 | Heizkörper 2000W 230V | Resistenza 2000W 230V | Heating element 2000W 230V | Résistance 2000W 230V | BU/EBM | 1 | | | |
| 14 | 5060904057 | Stufenschalter-Vorsatz | Commutatore con alberino | Switch adapter | Adaptateur de commutateur | | 1 | | | |
| 15 | 5006304040 | Verbindungsbügel Thermostat | Staffa di collegamento | Connection bracket thermostat | Etrier de jonction thermostat | | 1 | | | |
| 16 | 5061618077 | Thermostat | Termostato | Thermostat | Thermostat | 30°-110° C | 1 | | | |
| 17 | 5022901046 | Schaltknopf 30°-110° C | Manopola 30°-110° C | Knob 30°-110° C | Bouton de cde 30°-110° C | BOC/35 | 1 | | | |
| 18 | 5000509033 | Rohr Ablauf Wasser | Tubo scarico acqua | Drain tube water | Tuyau de vidange eau | BU/35 | 1 | | | |
| 19 | 5051313876 | Reduzierung Messing | Riduzione ottone | Brass adapter | Douille de réduction en laiton | M30x1,5>3/4" | 1 | | | |
| 20 | 5040311609 | Gegenmutter | Controdado | Counternut | Contre-écrou | MS 3/4" | 1 | | | |
| 21 | 5040211512 | Beilagscheibe | Rondella | Washer | Rondelle de calage | D=28>50x4 INOX | 1 | | | |
| 22 | 3017303860 | Dichtung 3/4" | Guarnizione 3/4" | Seal 3/4" | Joint d'étanchéité 3/4" | BM/35/70 | 1 | | | |
| 23 | 5029411519 | Ablauf 3/4" Inox | Scarico 3/4" inox | Discharge 3/4" inox | Vidange 3/4" inox | BU/EBM | 1 | | | |