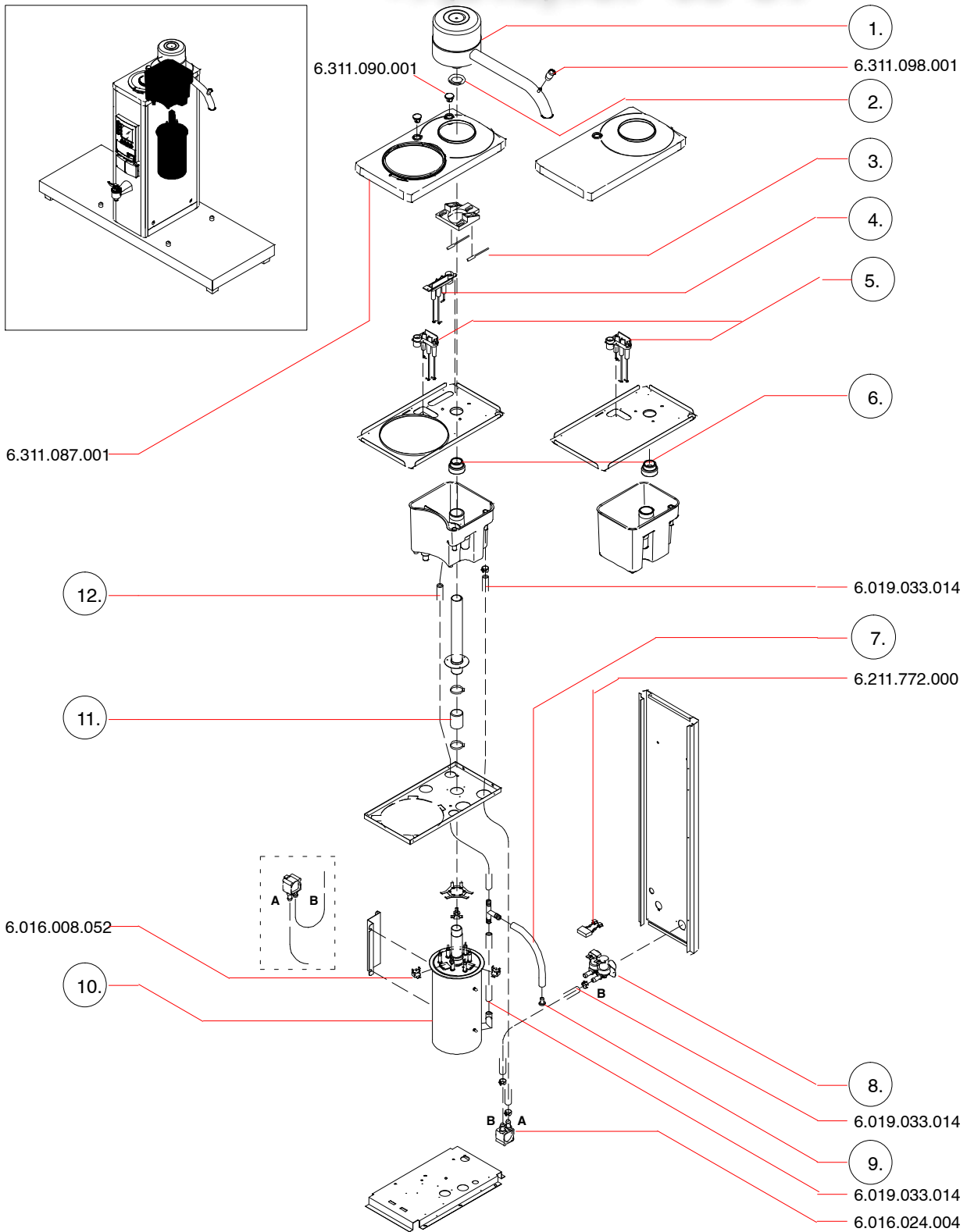
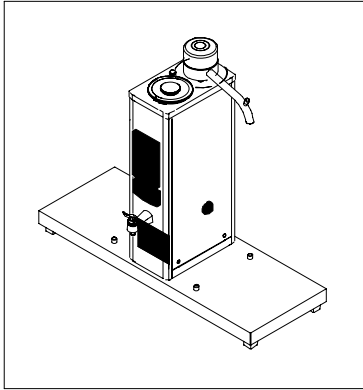


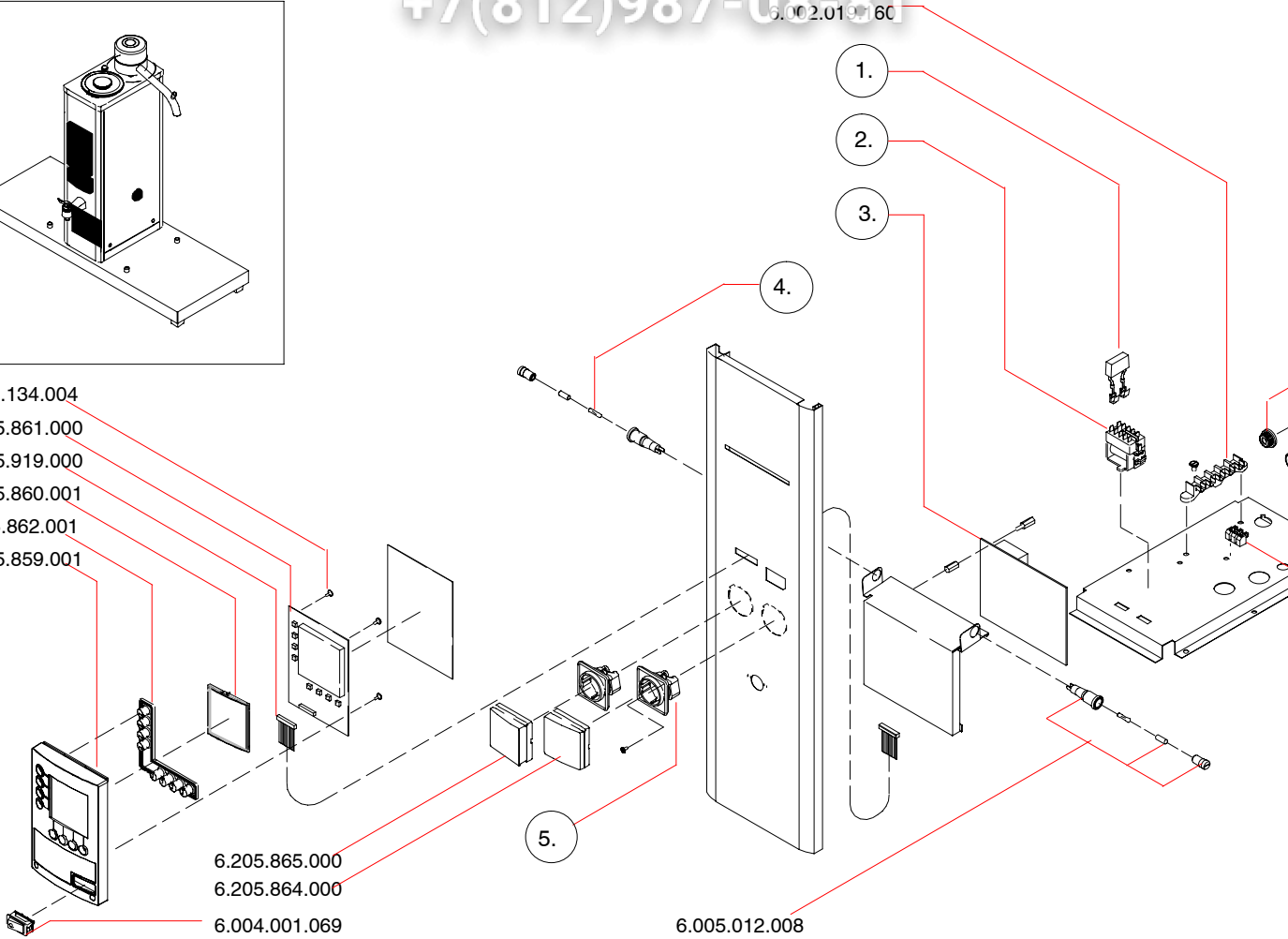
B / B HW (2000 →)
 +7(812)987-08-81



		B5	B5 HW	B10	B10 HW	B20	B20 HW	B40
1.	STD	6.311.095.000	6.311.120.000	6.205.895.000	6.311.120.000	6.206.603.000	6.206.603.000	6.247.303.000
2.	STD	6.011.001.060	6.011.001.060	6.011.001.060	6.011.001.060	6.011.001.061	6.011.001.061	6.011.001.061
3.	STD	6.205.886.000	6.205.920.000	6.205.886.000	6.205.920.000	6.206.629.000	6.206.629.000	6.247.312.000
4.	STD		6.205.856.000		6.205.856.000		6.205.856.000	
5.	STD	6.205.855.000	6.205.855.000	6.205.855.000	6.205.855.000	6.205.855.000	6.205.855.000	6.205.855.000
6.	STD	6.205.854.001	6.205.854.001	6.205.854.001	6.205.854.001	6.206.589.001	6.206.589.001	6.206.589.001
7.	STD	6.019.033.014	6.019.033.014	6.019.033.014	6.019.033.014	6.019.033.013	6.019.033.013	6.019.033.013
8.	STD (2)	6.016.001.017	6.016.001.026	6.016.001.017	6.016.001.026	6.016.001.017	6.016.001.026	6.016.001.078
	J	6.016.001.038	6.016.001.041	6.016.001.038	6.016.001.041	6.016.001.038	6.016.001.041	
	TWN	6.016.001.037		6.016.001.037				
	STD (5)	6.016.001.017	6.016.001.077	6.016.001.017	6.016.001.077	6.016.001.017	6.016.001.077	
	SCH (115V)	6.016.001.037	6.016.001.082	6.016.001.037	6.016.001.082	6.016.001.037	6.016.001.082	
9.	STD	6.006.002.018	6.006.002.018	6.006.002.018	6.006.002.018	6.006.002.014	6.006.002.014	6.006.002.014
10.	STD	6.000.211.595	6.000.211.595	6.000.205.582	6.000.205.582	6.000.206.414	6.000.206.414	6.000.247.296
	J	6.000.211.745	6.000.211.745	6.000.205.765	6.000.205.765	6.000.206.630	6.000.206.630	
11.	STD	6.311.073.001	6.311.073.001	6.019.033.018	6.019.033.018	6.019.033.016	6.019.033.016	6.019.033.016
12.	STD	6.311.113.001	6.311.113.001	6.311.113.001	6.311.113.001	6.019.033.013	6.019.033.013	6.019.033.013

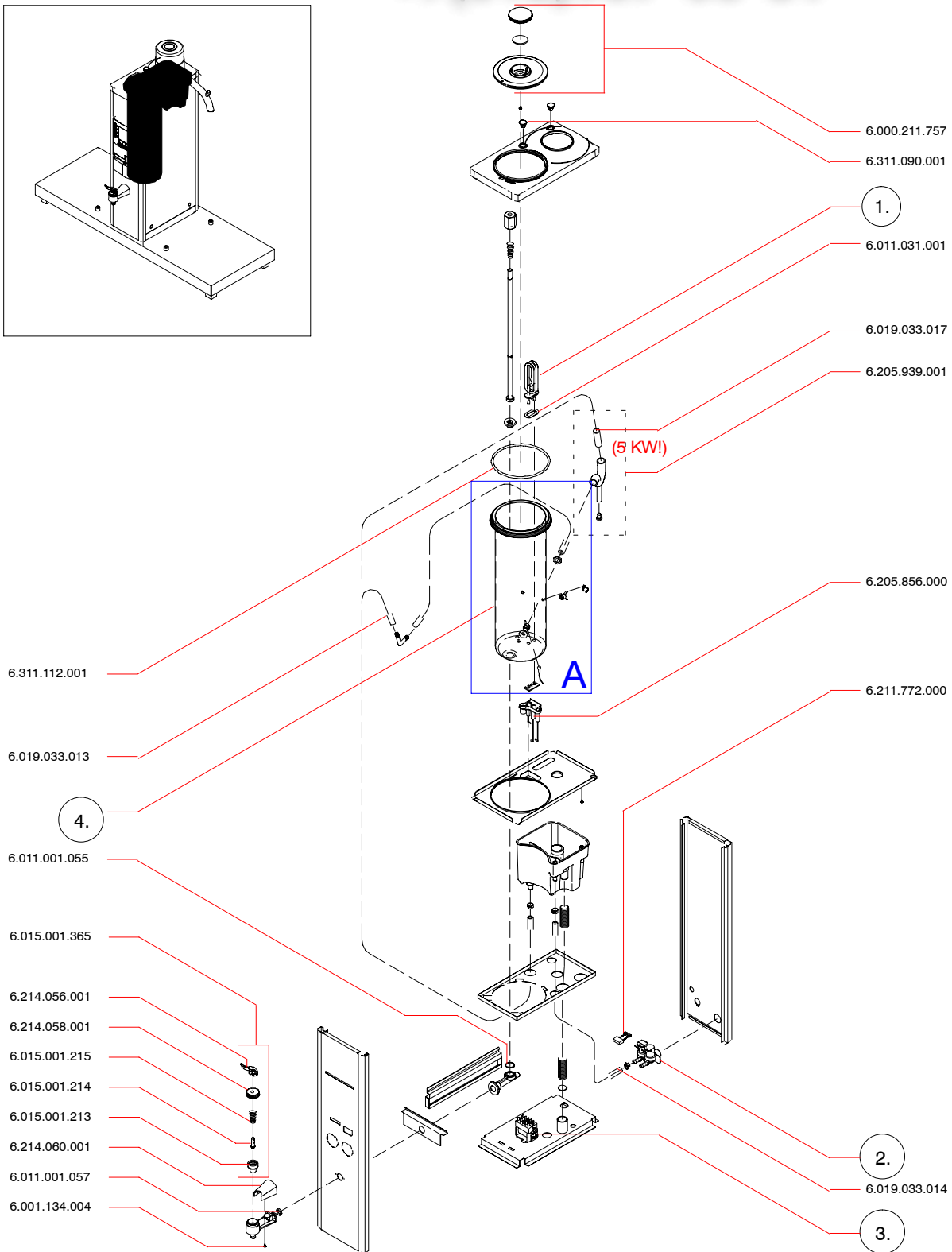
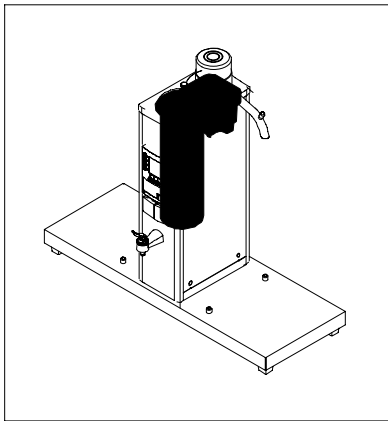


6.001.134.004
6.205.861.000
6.205.919.000
6.205.860.001
6.205.862.001
6.205.859.001



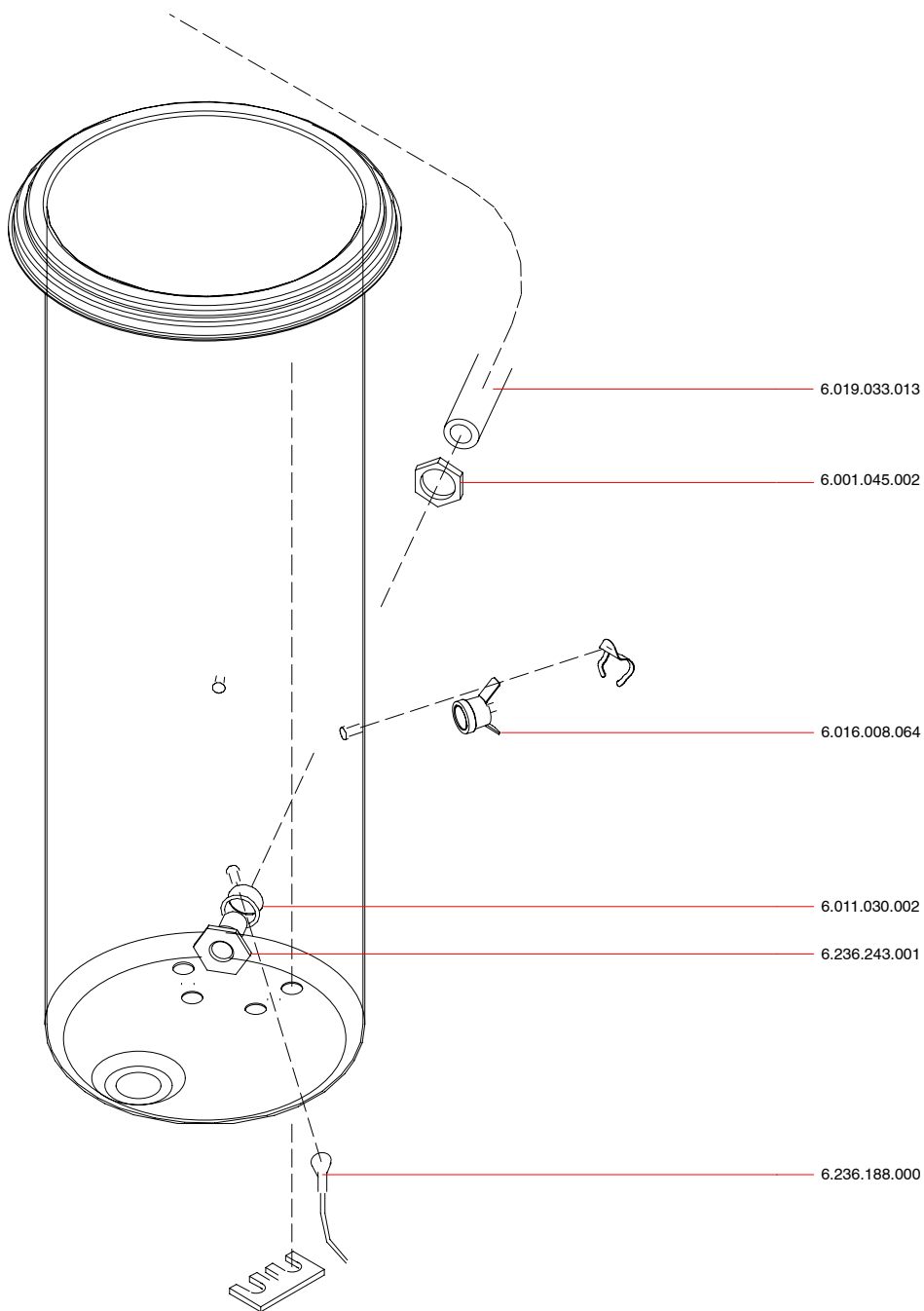
		B5	B5 HW	B5 HW-5	B10	B10 HW	B10 HW-5	B20
1.	STD	6.211.772.000	6.211.772.000	6.211.772.000	6.211.772.000	6.211.772.000	6.211.772.000	6.211.773.000
2.	STD	6.004.002.068	6.004.002.068	6.004.002.068	6.004.002.068	6.004.002.068	6.004.002.068	6.004.008.014
	J	6.004.002.075	6.004.002.075	6.004.002.075	6.004.002.075	6.004.002.075	6.004.002.075	6.004.008.024
	TWN	6.004.002.074			6.004.002.074			
	MEX	6.004.002.081	6.004.002.081	6.004.002.081	6.004.002.081	6.004.002.081	6.004.002.081	
	SCH (115V)	6.004.002.074	6.004.002.074	6.004.002.074	6.004.002.074	6.004.002.074	6.004.002.074	6.004.008.023
3.	STD	6.205.873.000	6.205.874.000	6.205.978.000	6.205.873.000	6.205.874.000	6.205.978.000	6.205.873.000
	GB	6.205.873.000	6.205.874.000	6.205.978.000	6.205.873.000	6.205.874.000	6.205.978.000	6.205.873.000
	J	6.205.955.000	6.205.956.000		6.205.955.000	6.205.956.000		6.205.955.000
	TWN	6.205.957.000			6.205.957.000			
	SCH (115V)	6.205.957.000	6.205.958.000		6.205.957.000	6.205.958.000		6.205.957.000
4.	STD	6.005.011.015	6.005.011.015	6.005.011.015	6.005.011.003	6.005.011.003	6.005.011.003	6.005.011.011
5.	STD	6.006.005.100	6.006.005.100	6.006.005.100	6.006.005.100	6.006.005.100	6.006.005.100	6.006.005.100
	B / FR	6.006.005.101	6.006.005.101	6.006.005.101	6.006.005.101	6.006.005.101	6.006.005.101	6.006.005.101
	DK	6.006.005.108	6.006.005.108	6.006.005.108	6.006.005.108	6.006.005.108	6.006.005.108	6.006.005.108
	CH	6.006.005.103	6.006.005.103	6.006.005.103	6.006.005.103	6.006.005.103	6.006.005.103	6.006.005.103
	GB / IRL	6.006.005.104	6.006.005.104	6.006.005.104	6.006.005.104	6.006.005.104	6.006.005.104	6.006.005.104
	OCE / AUS / NZ	6.006.005.107	6.006.005.107	6.006.005.107	6.006.005.107	6.006.005.107	6.006.005.107	6.006.005.107
	TWN / MEX	6.006.005.105	6.006.005.105	6.006.005.105	6.006.005.105	6.006.005.105	6.006.005.105	6.006.005.105
6.	STD							
	SCH	6.002.019.151	6.002.019.151	6.002.019.151	6.002.019.151	6.002.019.151	6.002.019.151	6.002.019.151
7.	STD	6.006.001.019	6.006.001.019	6.006.001.019	6.006.001.009	6.006.001.009	6.006.001.009	6.006.001.002
	MEX							6.006.001.039
8.	STD							
	SCH	6.006.001.001	6.006.001.001	6.006.001.001	6.006.001.001	6.006.001.001	6.006.001.001	6.006.001.001

B / B HW (2000 →)
 +7(812)987-08-81



A

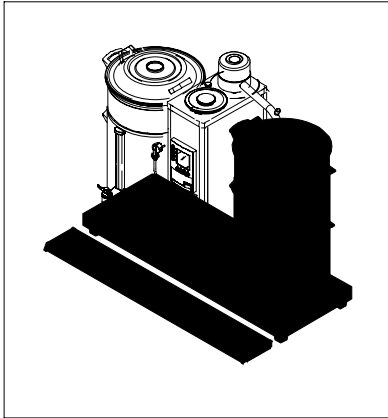
+7(812)987-08-81



		B5	B5 HW	B10	B10 HW	B20	B20 HW	B40
1.	STD		6.236.158.000		6.236.158.000		6.236.158.000	
	J		6.236.251.000		6.236.251.000		6.236.251.000	
	SCH		6.311.177.000		6.311.177.000		6.311.177.000	
2.	STD (2)	6.016.001.017	6.016.001.026	6.016.001.017	6.016.001.026	6.016.001.017	6.016.001.026	6.016.001.078
	J	6.016.001.038	6.016.001.041	6.016.001.038	6.016.001.041	6.016.001.038	6.016.001.041	
	TWN	6.016.001.037		6.016.001.037				
	STD (5)	6.016.001.017	6.016.001.077	6.016.001.017	6.016.001.077	6.016.001.017	6.016.001.077	
	SCH	6.016.001.037	6.016.001.083	6.016.001.037	6.016.001.083	6.016.001.037	6.016.001.083	
3.	STD		6.004.002.068		6.004.002.068		6.004.002.068	
	J		6.004.002.075		6.004.002.075		6.004.002.075	
4.	STD (2)		6.311.091.000		6.205.857.000		6.206.601.000	
	STD (5)		6.311.092.000		6.205.866.000		6.206.602.000	

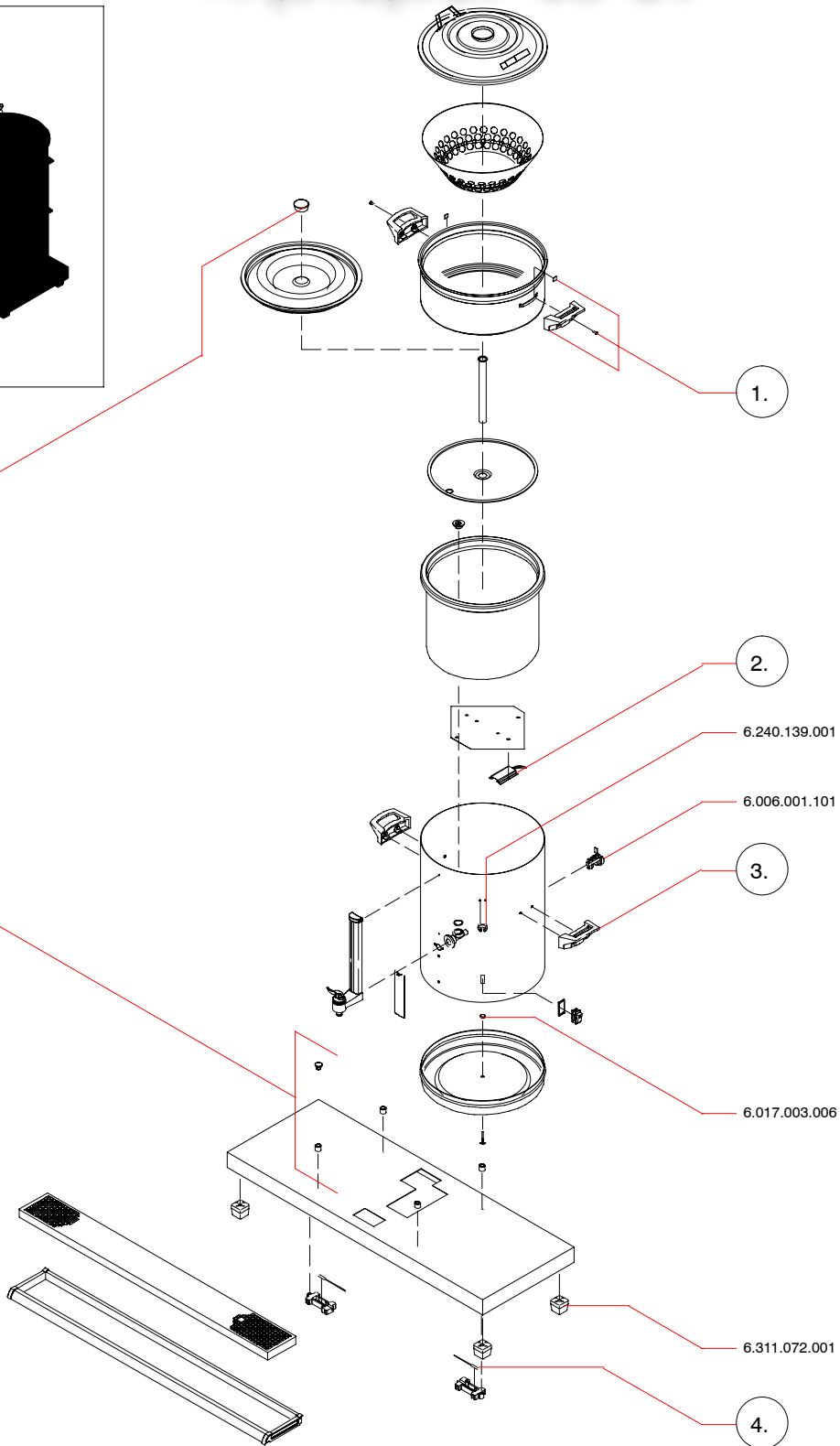
B / B HW / V(H)G (T/D) / NAK (2000 -->)

+7 (812) 987-08-81



6.240.145.001

6.311.126.001

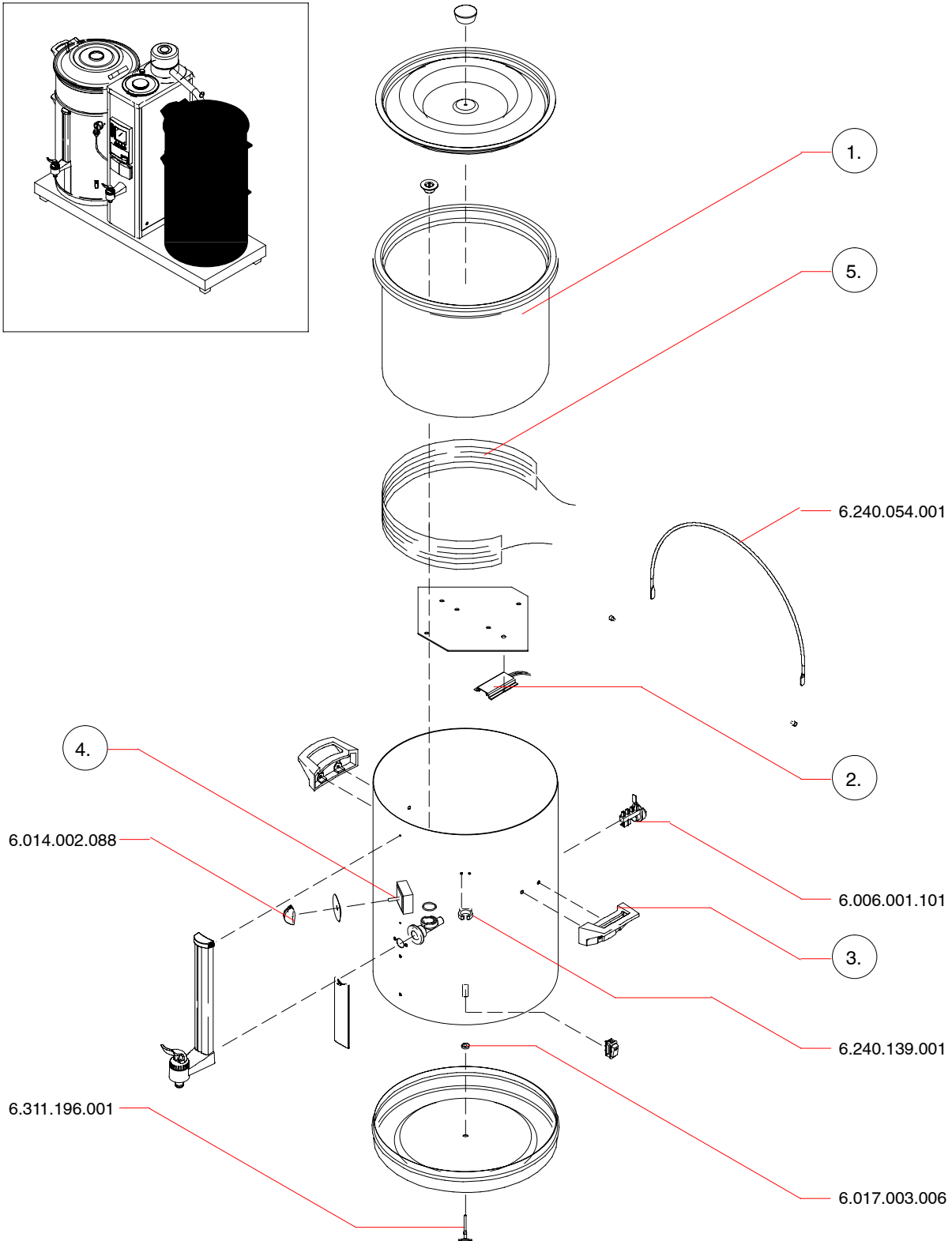
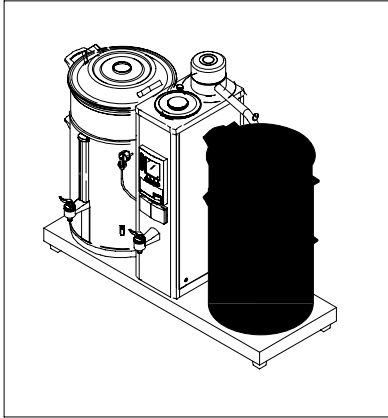


		VHG 5	VHG 10	VHG 20	VHG 40
1.	STD	6.311.094.001	6.242.198.001	6.243.233.001	6.248.133.001
2.	STD	6.240.147.000	6.242.206.000	6.243.243.000	6.248.139.000
3.	STD		6.242.198.001	6.243.233.001	6.248.133.001

		B5	B5 HW	B10	B10 HW	B20	B20 HW	B40
4.	STD	6.311.118.000	6.311.118.000	6.206.630.000	6.206.630.000	6.206.630.000	6.206.630.000	6.206.630.000

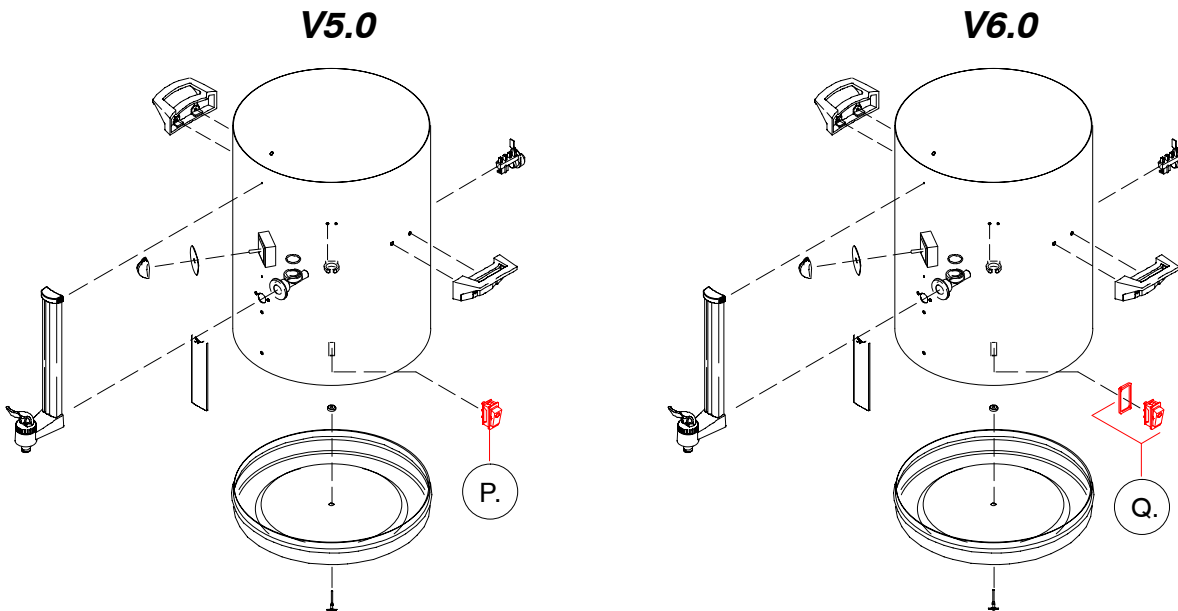
V(H)G (T/D) / NAK (2000->)
+7(812)987-08-81

V5.0



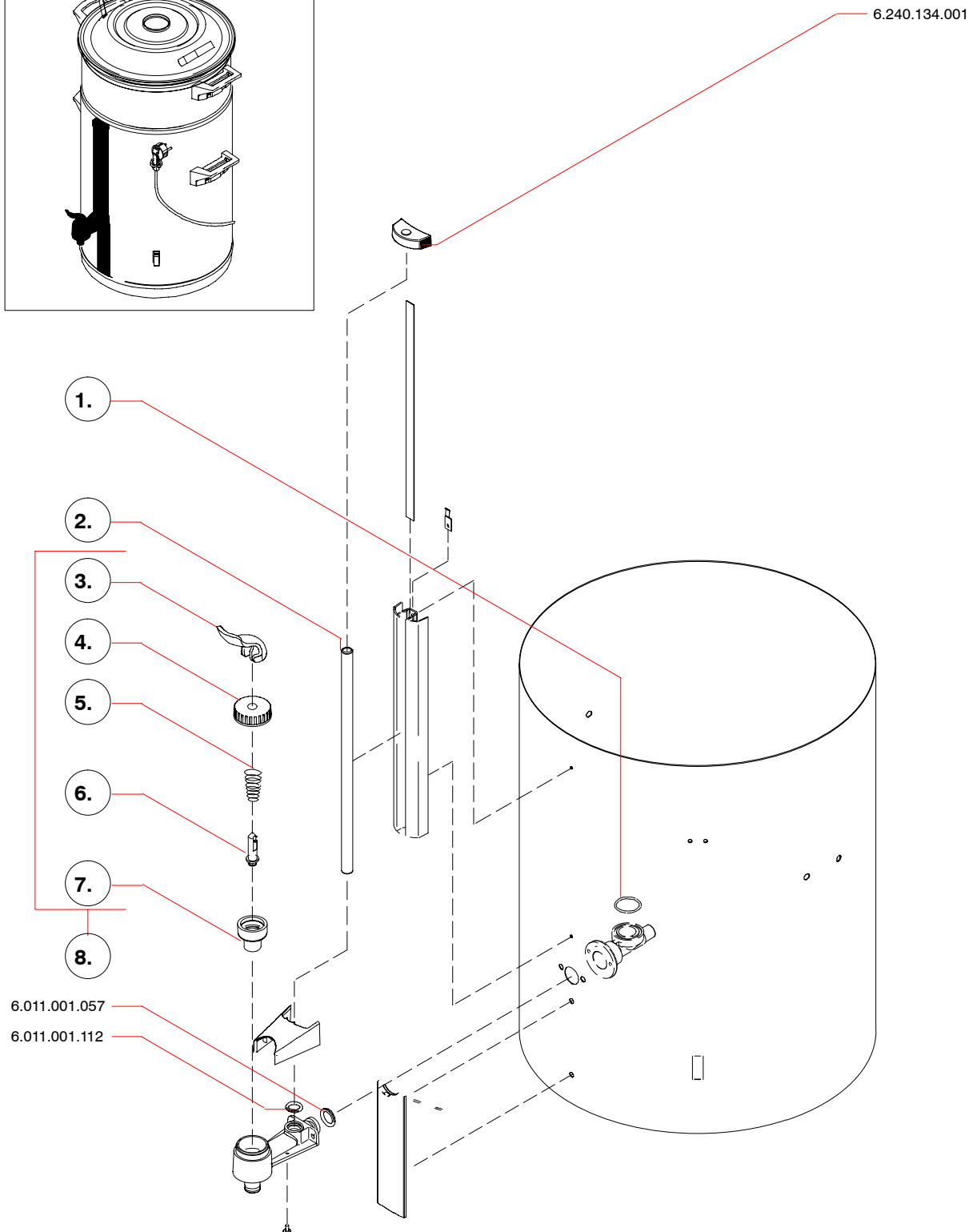
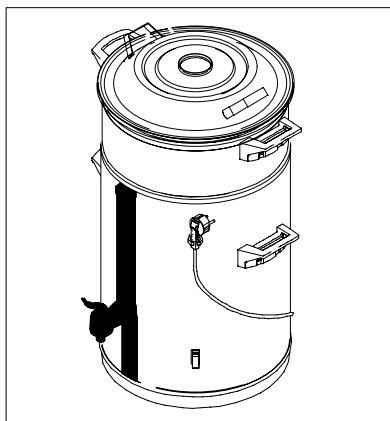
		VHG 5	VHG 10	VHG 20	VHG 40
1.	STD	6.240.120.000	6.242.130.000	6.243.239.000	6.248.130.000
2.	STD	6.240.147.000	6.242.206.000	6.243.243.000	6.248.139.000
3.	STD		6.242.198.001	6.243.233.001	6.248.133.001

		VHG 5 T	VHG 10 T	VHG 20 T	VHG 40 T
4.	STD	6.004.005.003	6.004.005.003	6.004.005.003	6.004.005.003
	MEX / TWN / USA	6.004.005.005	6.004.005.005	6.004.005.005	6.004.005.005
5.	STD	6.295.010.000	6.242.043.000	6.243.042.000	6.243.042.000
	TWN / USA	6.240.057.000	6.242.052.000	6.243.048.000	6.243.048.000



		VHG 5	VHG 10	VHG 20	VHG 40
P.	220V-250V	6.004.001.080	6.004.001.080	6.004.001.080	6.004.001.080
	115V-127V	6.004.001.083	6.004.001.083	6.004.001.083	6.004.001.083
Q.	220V-250V	6.004.001.081	6.004.001.081	6.004.001.081	6.004.001.081
	115V-127V	6.004.001.082	6.004.001.082	6.004.001.082	6.004.001.082

V(H)G (T/D) / NAK (2000 ->)
+7(812)987-08-81



		VHG 5	VHG 10	VHG 20	VHG 40
1.	STD	6.011.001.085	6.011.001.055	6.011.001.055	6.011.001.055
2.	STD	6.240.124.001	6.242.193.001	6.243.232.001	6.248.132.001
3.	STD	6.214.056.001	6.242.191.001	6.242.191.001	6.242.191.001
4.	STD	6.214.058.001	6.242.183.001	6.242.183.001	6.242.183.001
5.	STD	6.015.001.215	6.015.001.027	6.015.001.027	6.015.001.027
6.	STD	6.015.001.214	6.015.001.281	6.015.001.281	6.015.001.281
7.	STD	6.015.001.213	6.015.001.006	6.015.001.006	6.015.001.006
8.	STD	6.015.001.365	6.015.001.366	6.015.001.366	6.015.001.366