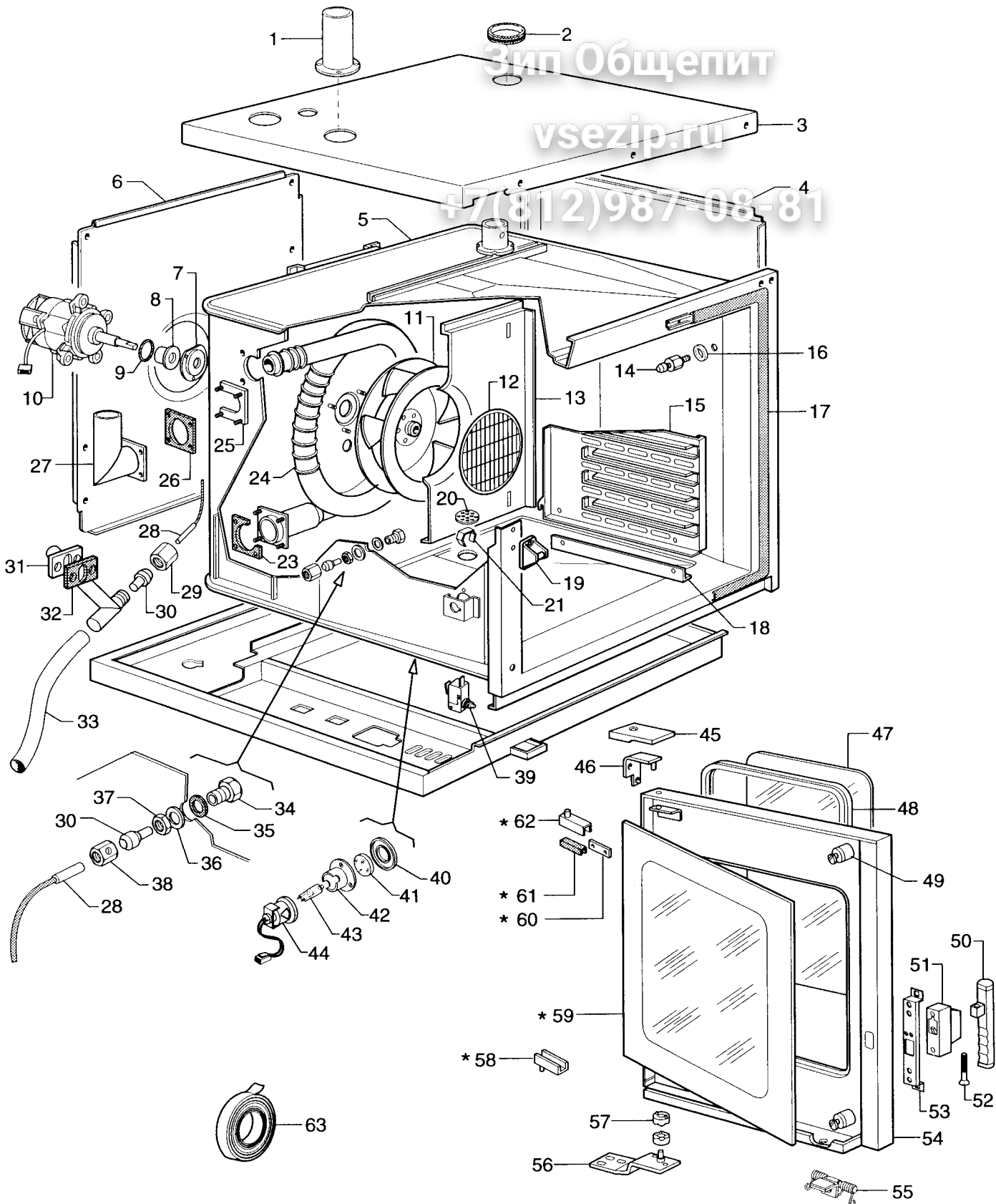


3ip Общепит

vsezip.ru

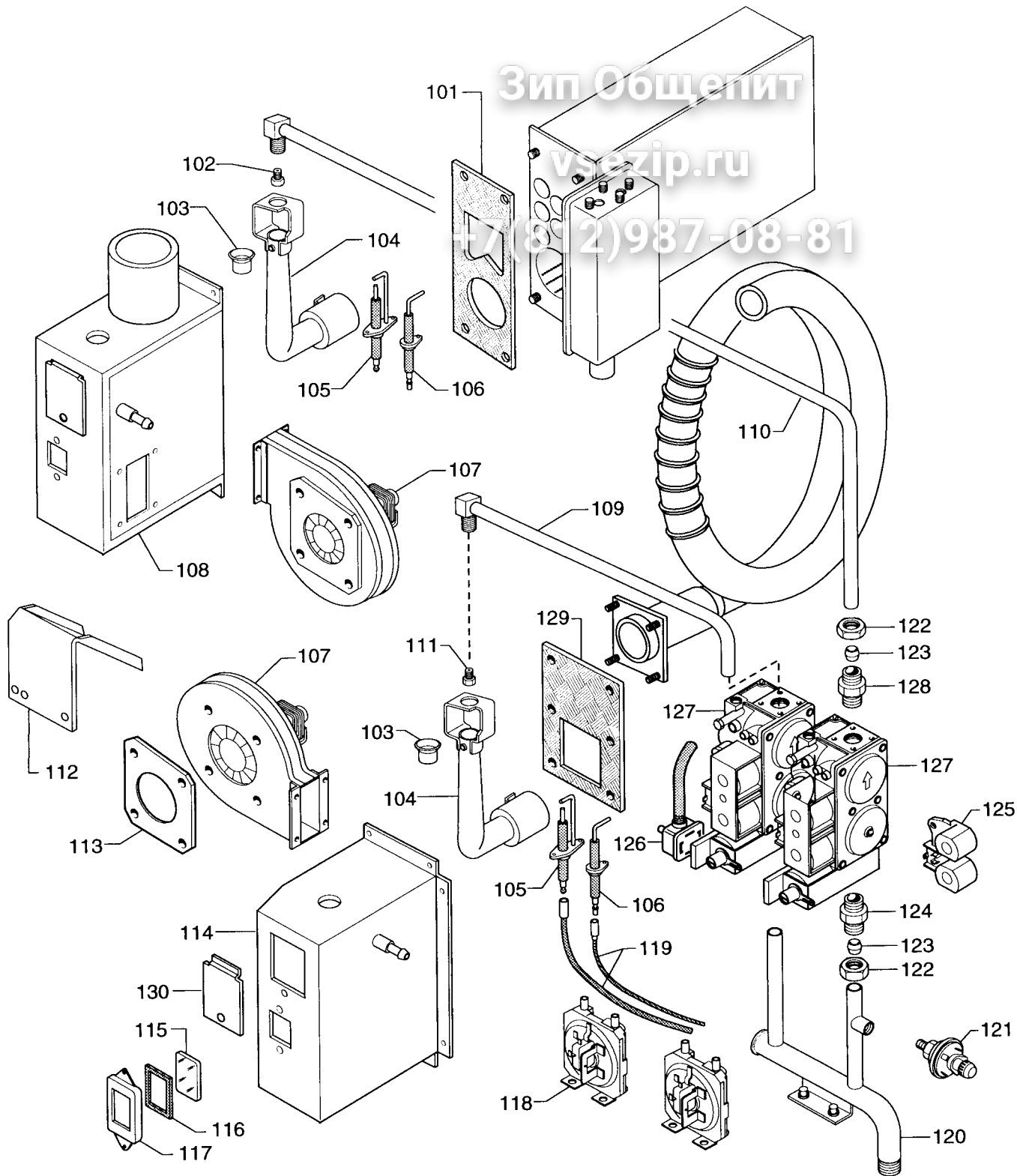
+7(812)987-08-81



* 64 — INSIDE GLASS DOOR ASSEMBLY
 ASSIEME VETRO INTERNO PORTA

* 65 — DOOR ASSEMBLY
 ASSIEME PORTA

10 GN 1/1 AND 10 GN 2/1 GAS STEAM - CONVECTION OVEN ACTIVE COMBI
 FORNO CONVEZIONE - VAPORE GAS 10 GN 1/1 E 10 GN 2/1



102 Boiler			111 Convezione/convection		
59359	ø 3,60 2H,2E,2E+,2L G20 - 20mbar	a	59359	ø 3,60 2H,2E,2E+,2L G20 - 20mbar	a
59528	ø 3,95 2H,2E,2E+,2L G20 - 20mbar	b	02864	ø 4,50 2H,2E,2E+,2L G20 - 20mbar	b
02866	ø 3,90 LL G25 20mbar (Germania)	a	02866	ø 3,90 LL G25 20mbar (Germania)	a
02863	ø 4,35 LL G25 20mbar (Germania)	b	A2305	ø 5,20 LL G25 20mbar (Germania)	b
A2081	ø 2,30 3+,3B/P G30/G31 28-30/37mbar	a	A2081	ø 2,30 3+,3B/P G30/G31 28-30/37mbar	a
59382	ø 2,50 3+,3B/P G30/G31 28-30/37mbar	b	59358	ø 2,85 3+,3B/P G30/G31 28-30/37mbar	a
A2102	ø 2,00 3B/P G30/G31 50 mbar (Germ.)	a	A2102	ø 2,00 3B/P G30/G31 50 mbar (Germ.)	a
A2083	ø 2,20 3B/P G30/G31 50 mbar (Germ.)	b	58980	ø 2,45 3B/P G30/G31 50 mbar (Germ.)	b

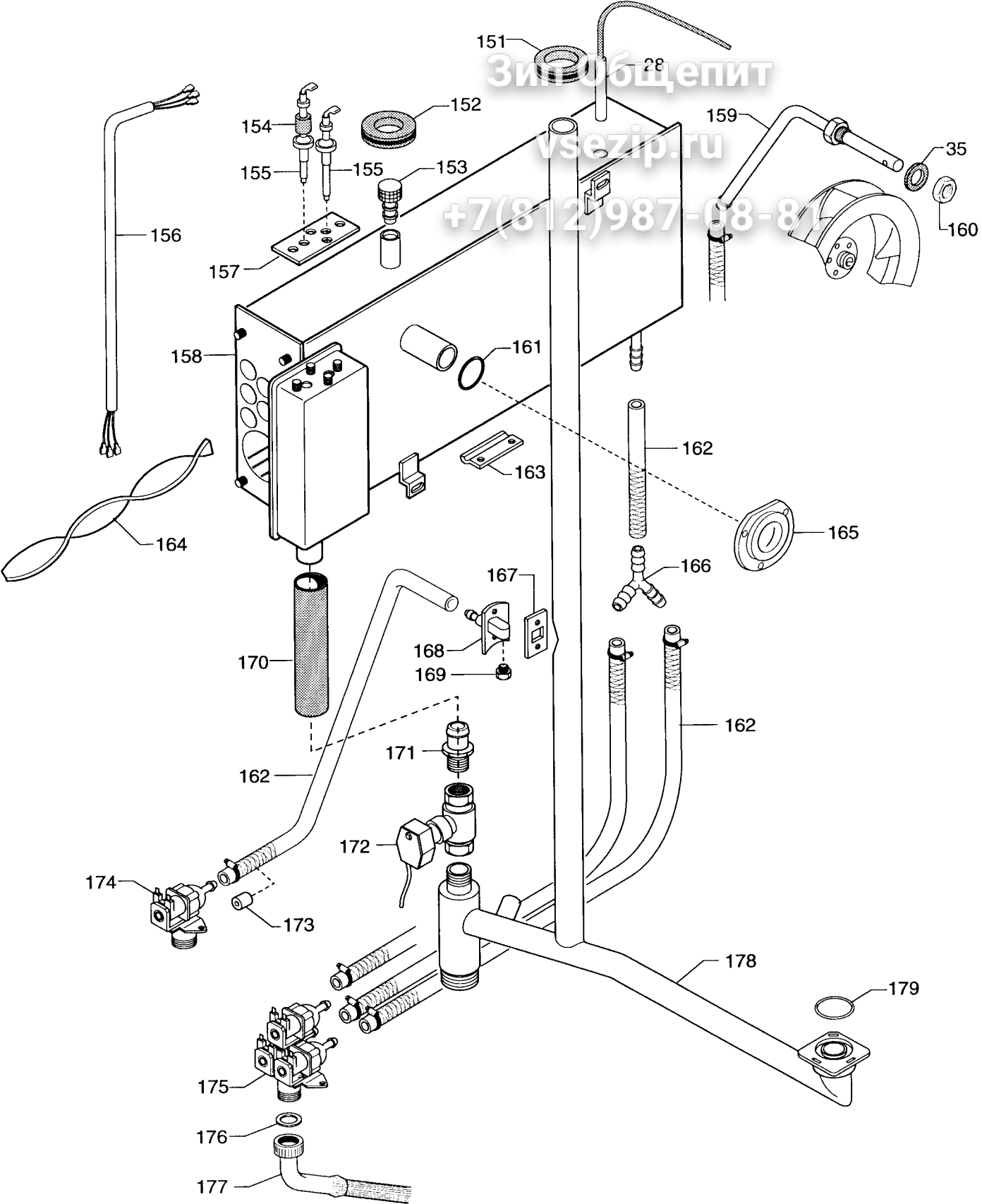
10 GN 1/1 AND 10 GN 2/1 GAS STEAM - CONVECTION OVEN
 FORNO CONVEZIONE - VAPORE GAS 10 GN 1/1 E 10 GN 2/1

ACTIVE COMBI

ЗипОбщепит

vsezip.ru

+7(812)987-08-81



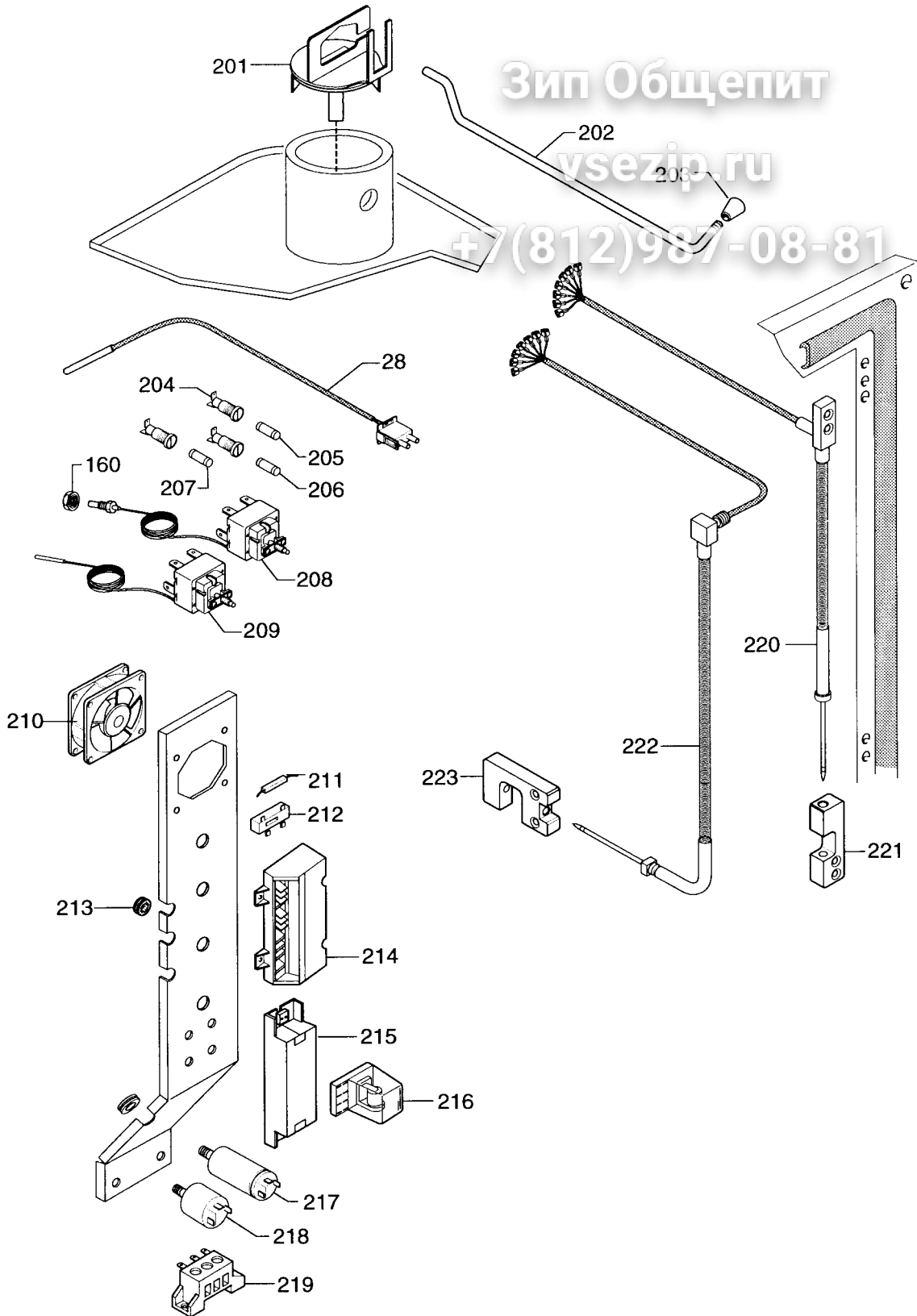
10 GN 1/1 AND 10 GN 2/1 GAS STEAM - CONVECTION OVEN
FORNO CONVEZIONE - VAPORE GAS 10 GN 1/1 E 10 GN 2/1

ACTIVE COMBI

Зип Общепит

ysezip.ru

+7(812)987-08-81



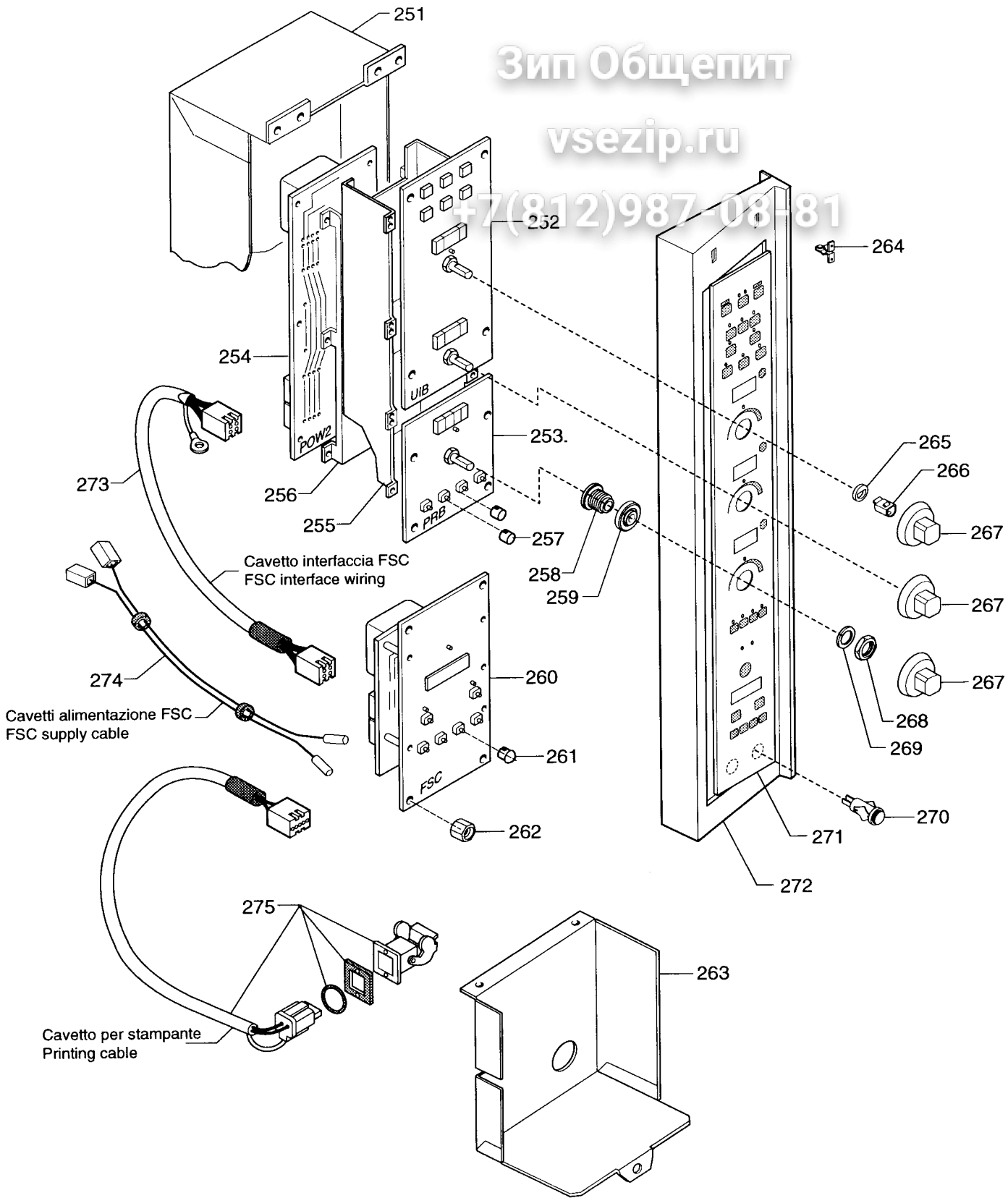
10 GN 1/1 AND 10 GN 2/1 GAS STEAM - CONVECTION OVEN
FORNO CONVEZIONE - VAPORE GAS 10 GN 1/1 E 10 GN 2/1

ACTIVE COMBI

Зип Общепит

vsezip.ru

+7(812)987-08-81



10 GN 1/1 AND 10 GN 2/1 GAS STEAM - CONVECTION OVEN
FORNO CONVEZIONE - VAPORE GAS 10 GN 1/1 E 10 GN 2/1

ACTIVE COMBI