

**OvensPlatform**

Viale Treviso, 15  
33170 Pordenone - Italy  
Fax: +39 0434-380577

**06 GN 1/1 ELECTRIC STEAM - CONVECTION OVEN**  
**FORNO CONVEZIONE- VAPORE ELETTRICO 06 GN 1/1**

PNC	Model	Ref.	Page	Notes
237 000	FCZ061EAA	a	2-3-4-5-6	Level/Livello A
238 000	FCZ061EBA	b	2-3-4-5-6	Level/Livello B
237 020	FCZ061EAN	c	2-3-4-5-6	Level/Livello A
238 020	FCZ061EBN	d	2-3-4-5-6	Level/Livello B
237 010	FCZ061EAH	g	2-3-4-5-6	Level/Livello A
238 010	FCZ061EBH	h	2-3-4-5-6	Level/Livello B
239 000	FCZ061ECA	i	2-3-4-5-6	Level/Livello C
239 020	FCZ061ECN	l	2-3-4-5-6	Level/Livello C
239 010	FCZ061ECH	m	2-3-4-5-6	Level/Livello C

	<b>Index</b>	<b>Indice</b>
Pag. 2	Oven cabinet and door	Cella forno e porta
3	Water system	Impianto idraulico
4	Boiler	Boiler
5	Electrical components	Componenti elettrici
6	Tray support	Struttura portateglie
7-10	Spare part list	Lista ricambi

**Brand / Marchio : ZANUSSI**  
**Factory code: 9PDD**

OV / DOC

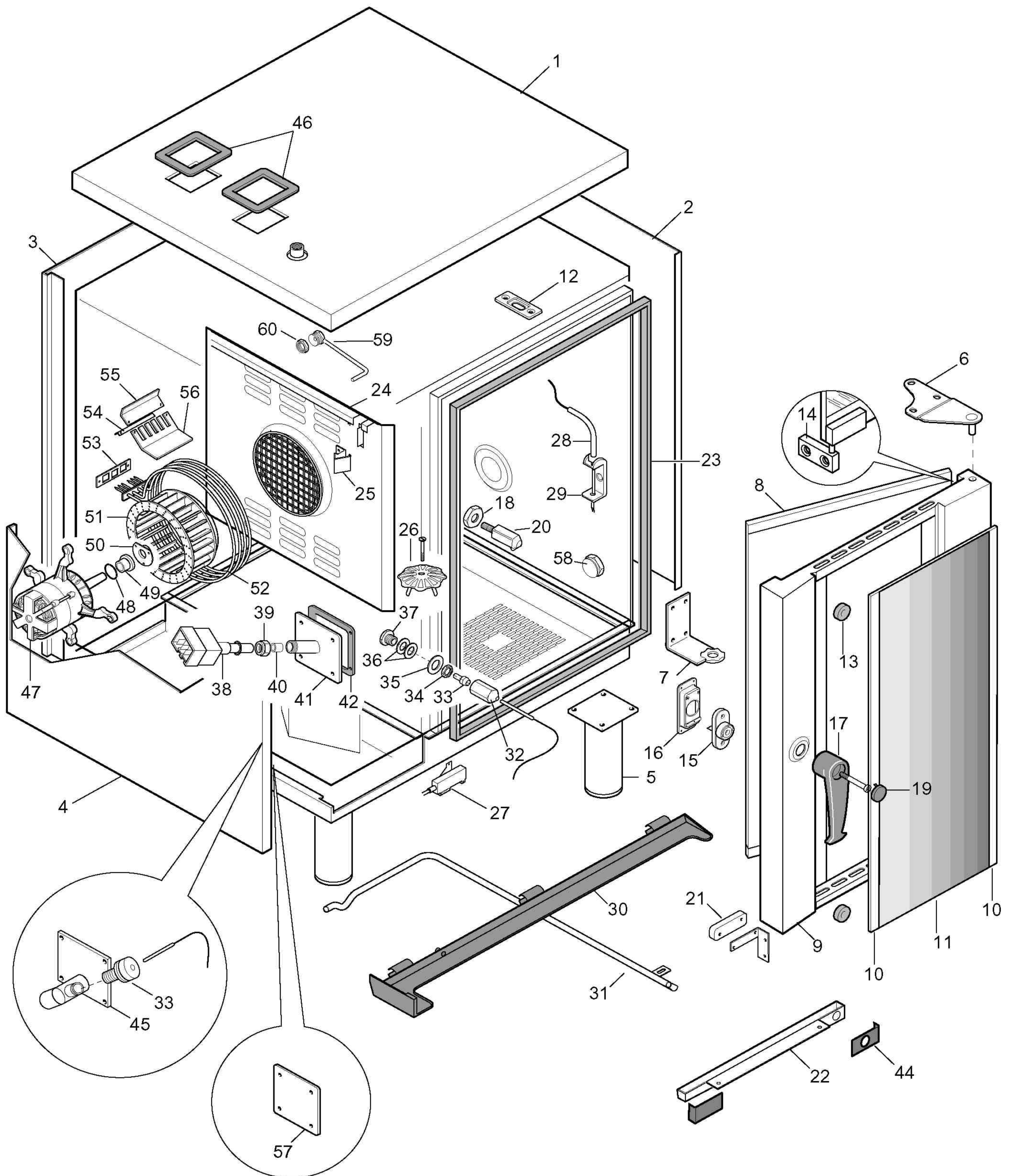
From ser. nr. / Da Ser. Nr.: ...

Page: 1 Ed. 2008 01

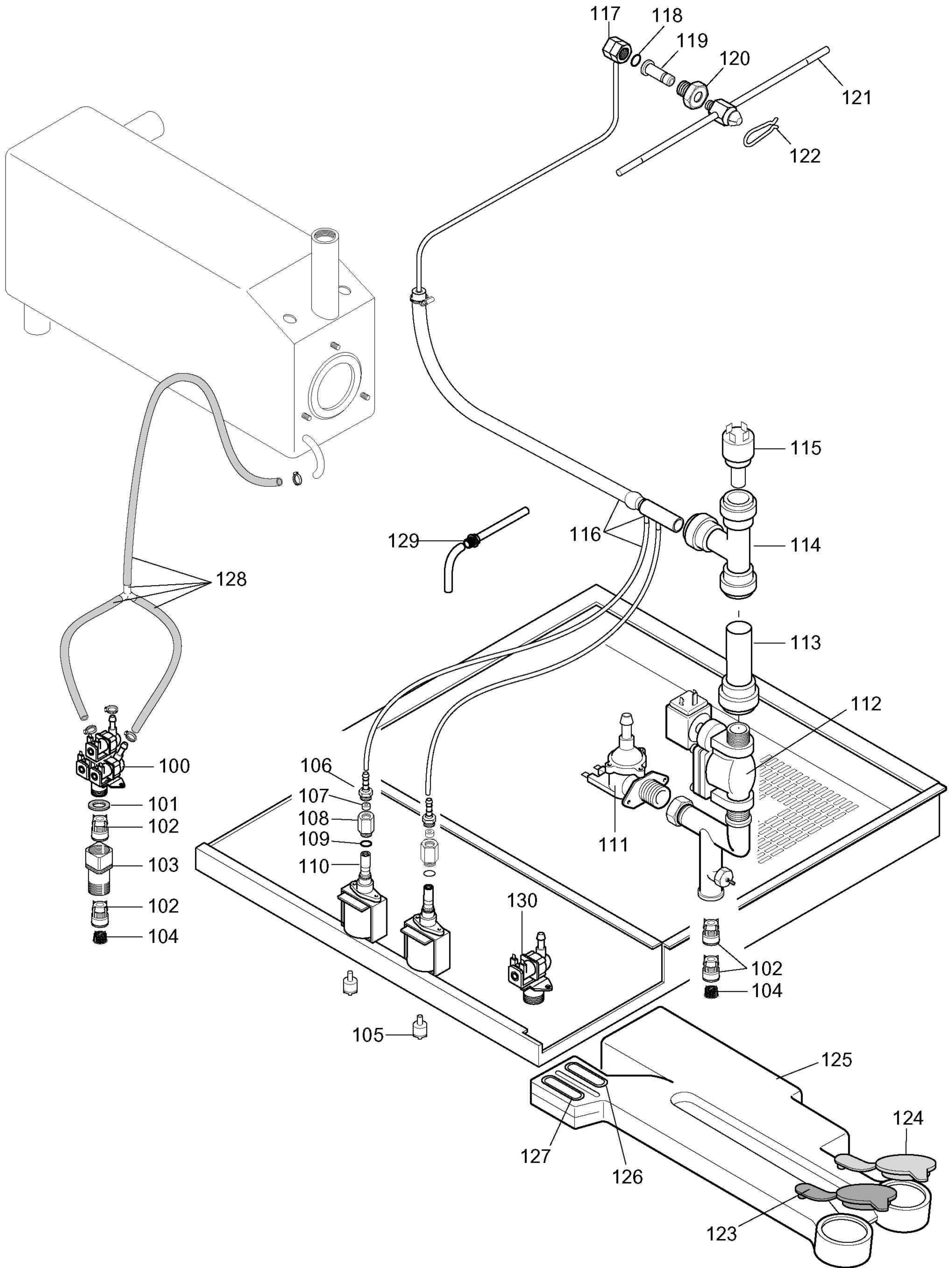
Doc. Nr.:

**3 - 13 300**

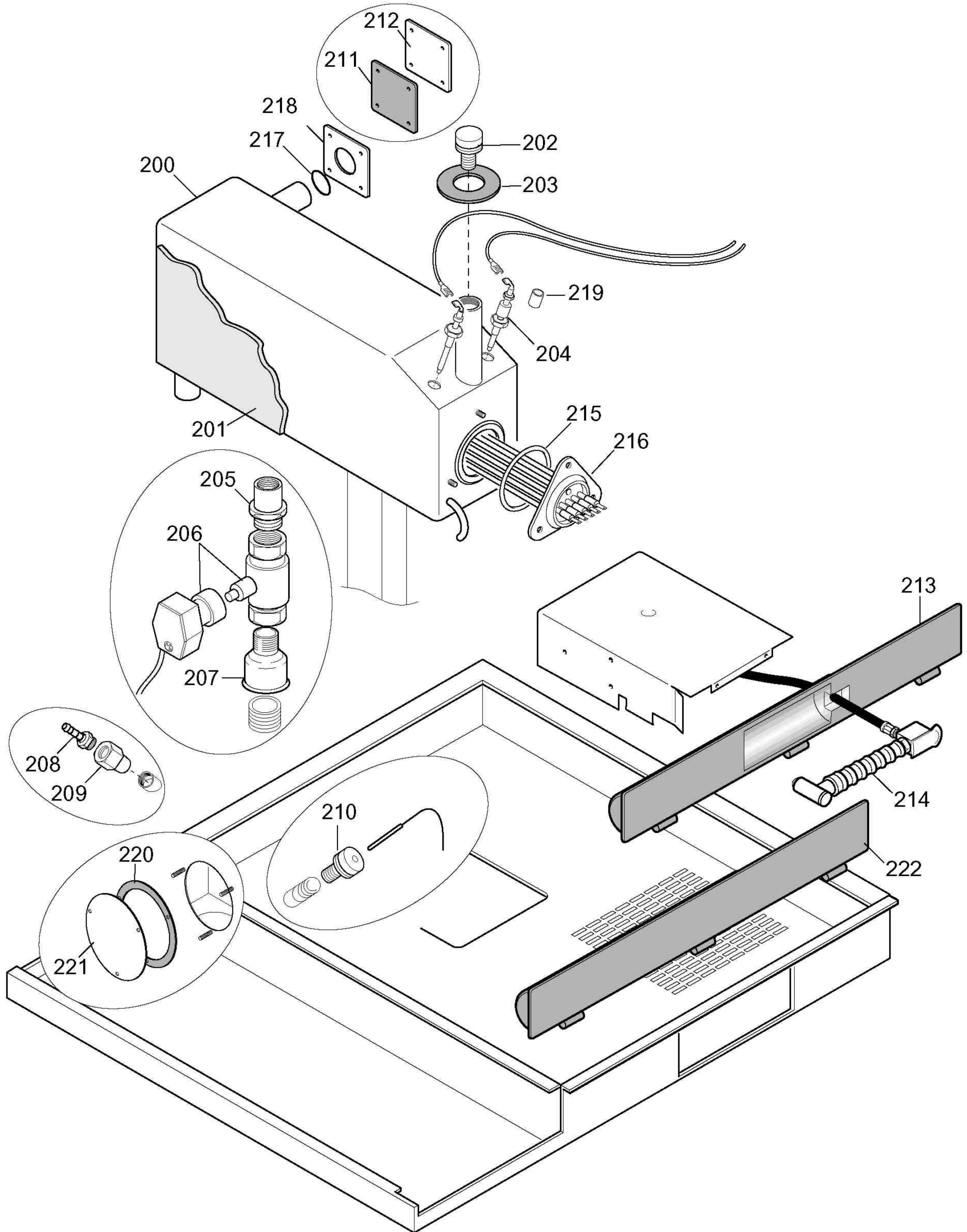




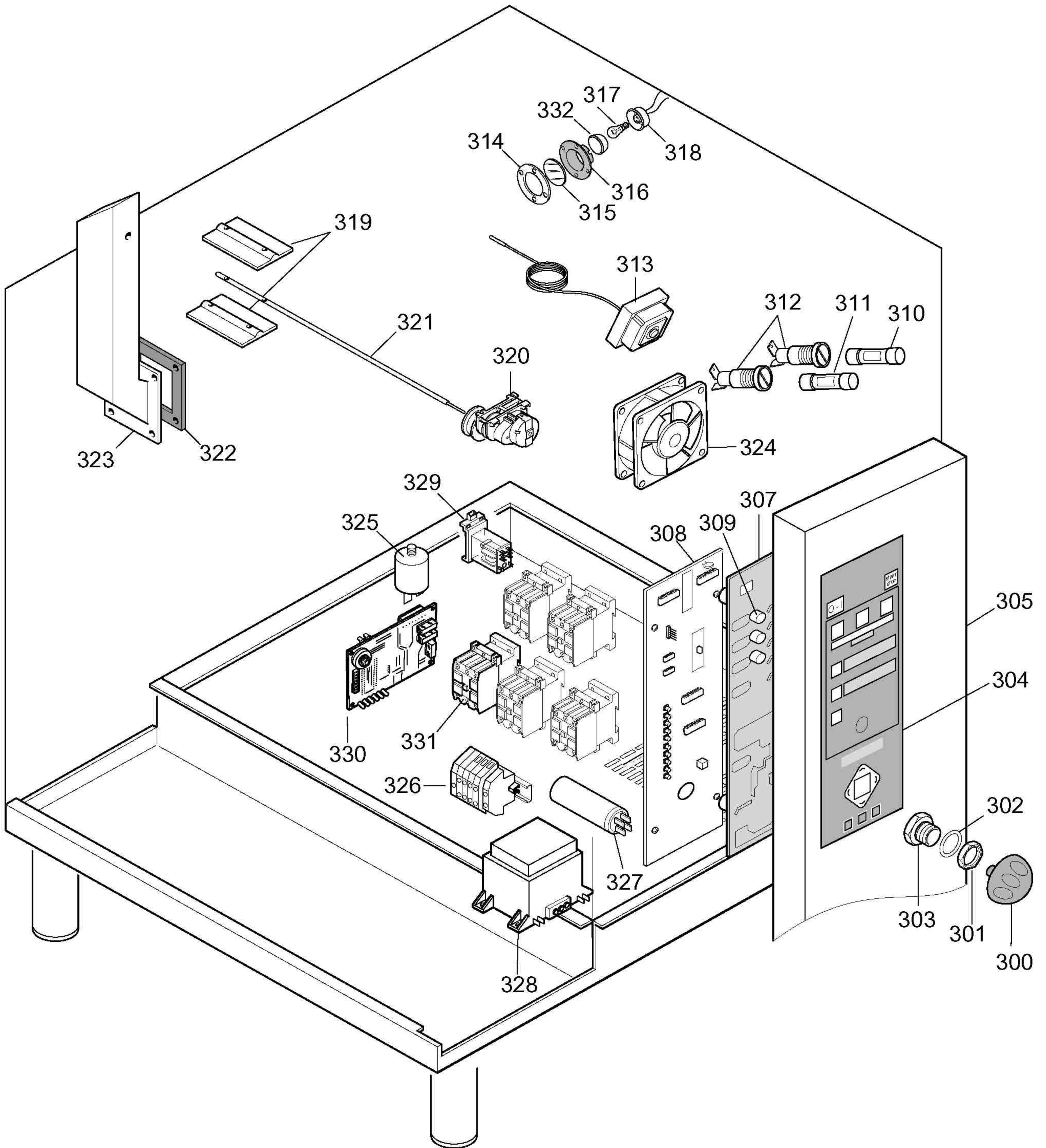




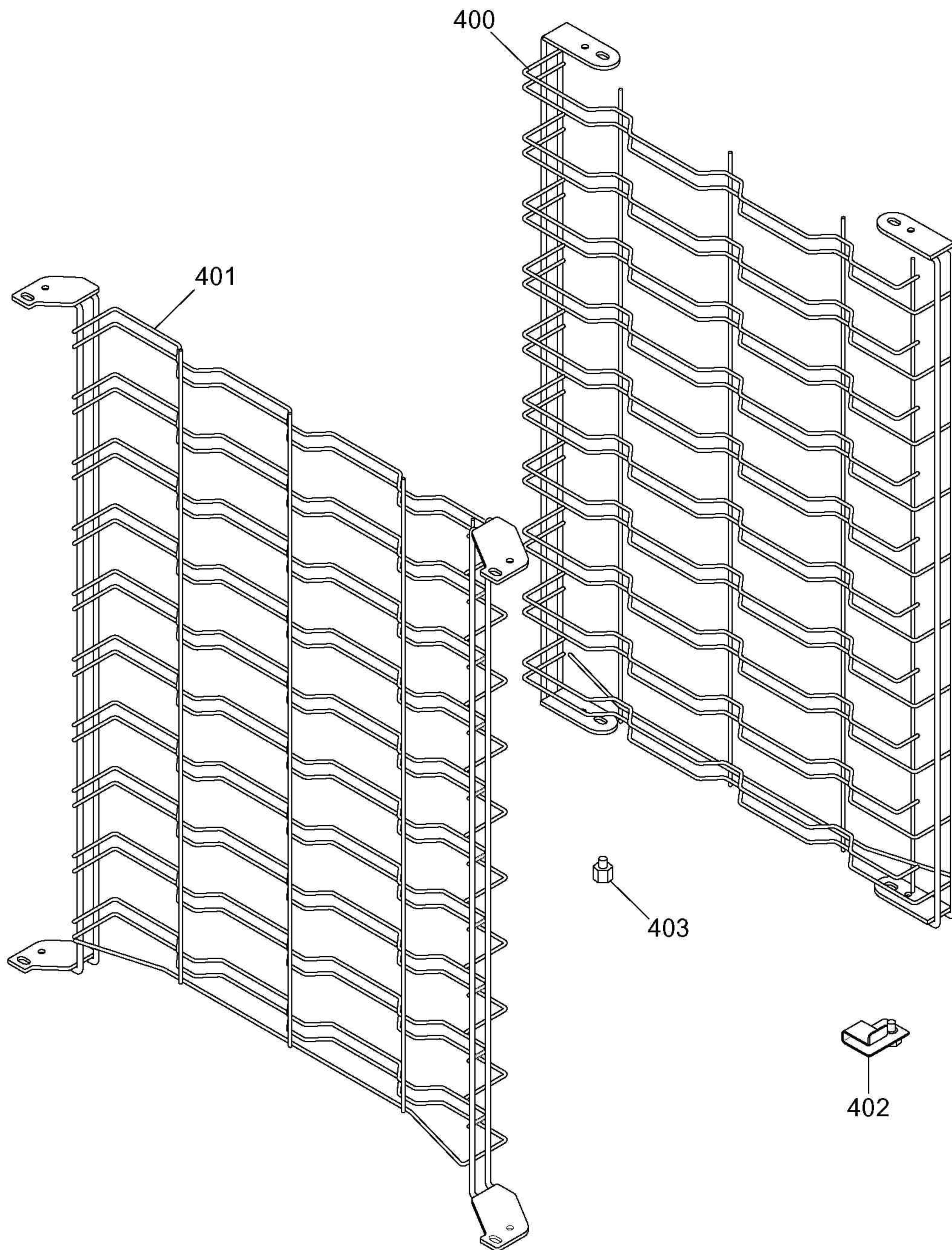






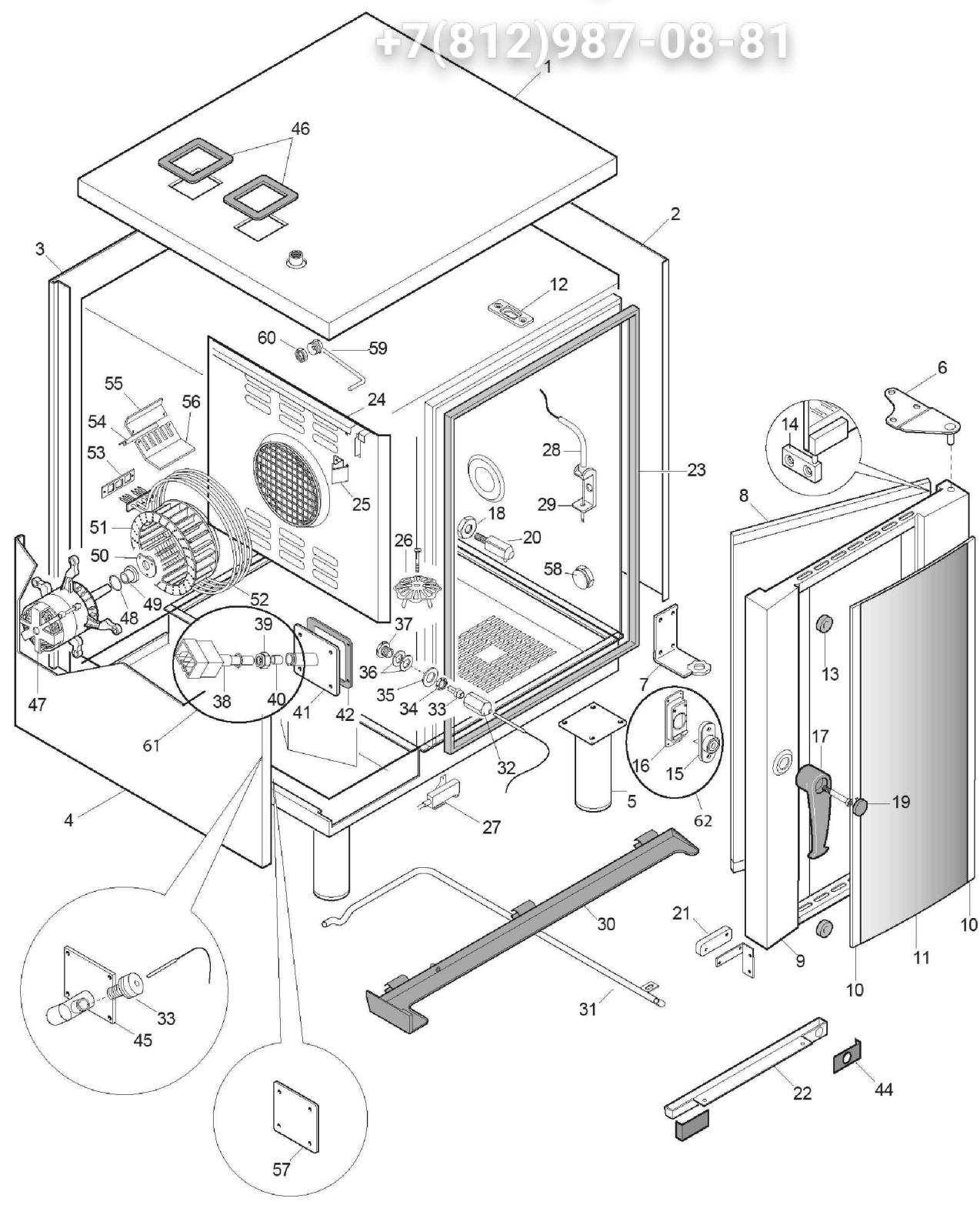




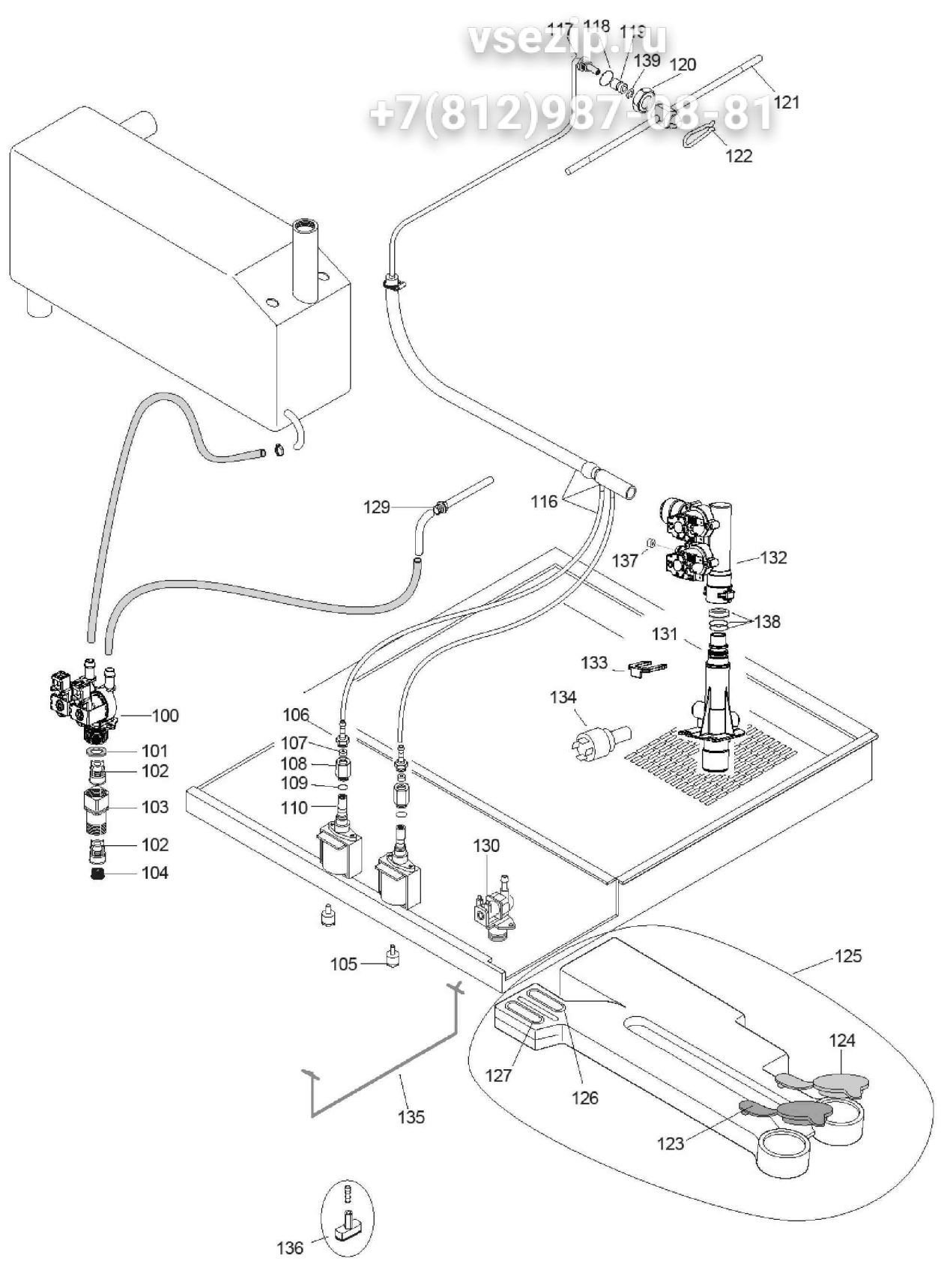


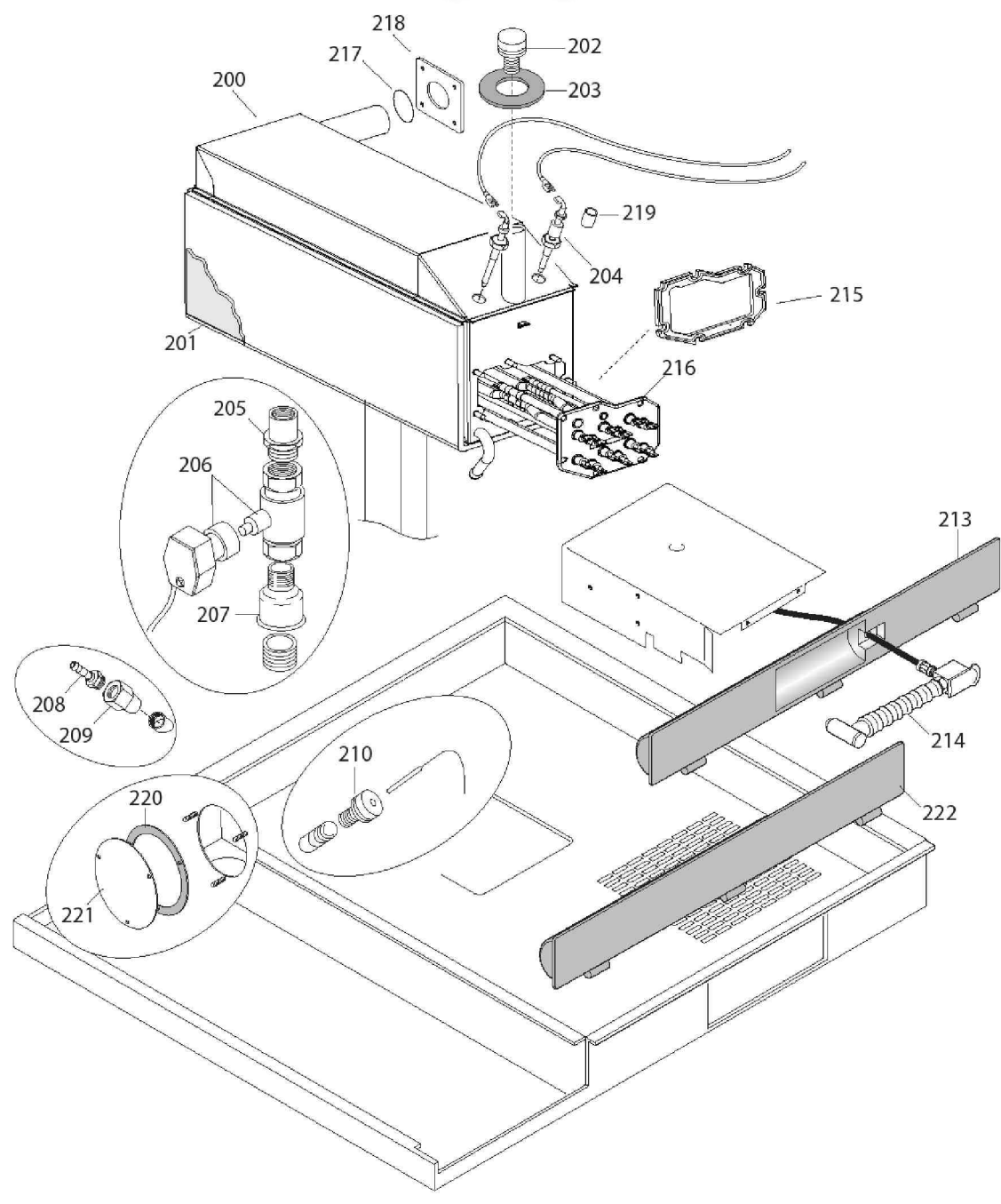
PNC	Model	Ref	Group	Level	Page	Notes
237000	FCZ061EAA	a	FCZ	Level A	2...11	400V 3N 50hz
237010	FCZ061EAH	b	FCZ	Level A	2...11	400V 3N 50Hz P80
237020	FCZ061EAN	c	FCZ	Level A	2...11	230V 3N
238000	FCZ061EBA	d	FCZ	Level B	2...11	400V 3N 50hz
238010	FCZ061EBH	e	FCZ	Level B	2...11	400V 3N 50Hz P80
238020	FCZ061EBN	f	FCZ	Level B	2...11	230V 3N
238030	FCZ061EBC	g	FCZ	Level B	2...11	200V 3 60Hz Japan
239000	FCZ061ECA	h	FCZ	Level C	2...11	400V 3N 50hz
239010	FCZ061ECH	m	FCZ	Level C	2...11	400V 3N 50Hz P80 model
239020	FCZ061ECN	n	FCZ	Level C	2...11	230V 3N
267000	AOS061EAA1	o	AOS	Level A	2...11	400V 3N 50hz
267010	AOS061EAH1	p	AOS	Level A	2...11	400V 3N 50Hz P80 model
267020	AOS061EAN1	q	AOS	Level A	2...11	230V 3N
267030	AOS061EAC1	r	AOS	Level A	2...11	200V 3 60Hz Japan
267040	AOS061EAE1	s	AOS	Level A	2...11	440V 3 Marine
267050	AOS061EAF1	t	AOS	Level A	2...11	400V 3 Marine
267080	AOS061EAM1	u	AOS	Level A	2...11	208V 3 USA
267090	AOS061EAB1	v	AOS	Level A	2...11	240V 3 USA
267100	AOS061EAK1	z	AOS	Level A	2...11	400V 3N UK version
267110	AOS061EAT1	A	AOS	Level A	2...11	400V - 3N China
268000	AOS061EBA1	B	AOS	Level B	2...11	400V 3N 50hz
268010	AOS061EBH1	C	AOS	Level B	2...11	400V 3N 50Hz P80 model
268020	AOS061EBN1	D	AOS	Level B	2...11	230V 3N
268030	AOS061EBC1	E	AOS	Level B	2...11	200V 3 60Hz Japan
268040	AOS061EBE1	F	AOS	Level B	2...11	440V 3 Marine
268050	AOS061EBF1	G	AOS	Level B	2...11	400V 3 Marine
268100	AOS061EBK1	H	AOS	Level B	2...11	400V 3N UK version
269000	AOS061ECA1	L	AOS	Level C	2...11	400V 3N 50hz
269010	AOS061ECH1	M	AOS	Level C	2...11	400V 3N 50Hz P80 model
269020	AOS061ECN1	N	AOS	Level C	2...11	230V 3N

Pag	Index	Indice	Note
2	Oven cabinet and door.	Cella forno e porta	
3	Water system	Impianto idraulico	
4	Boiler	Boiler	
5	Electrical components	Componenti elettrici	
6	Accessories	Accessori	
7...10	Spare parts list	Lista ricambi	

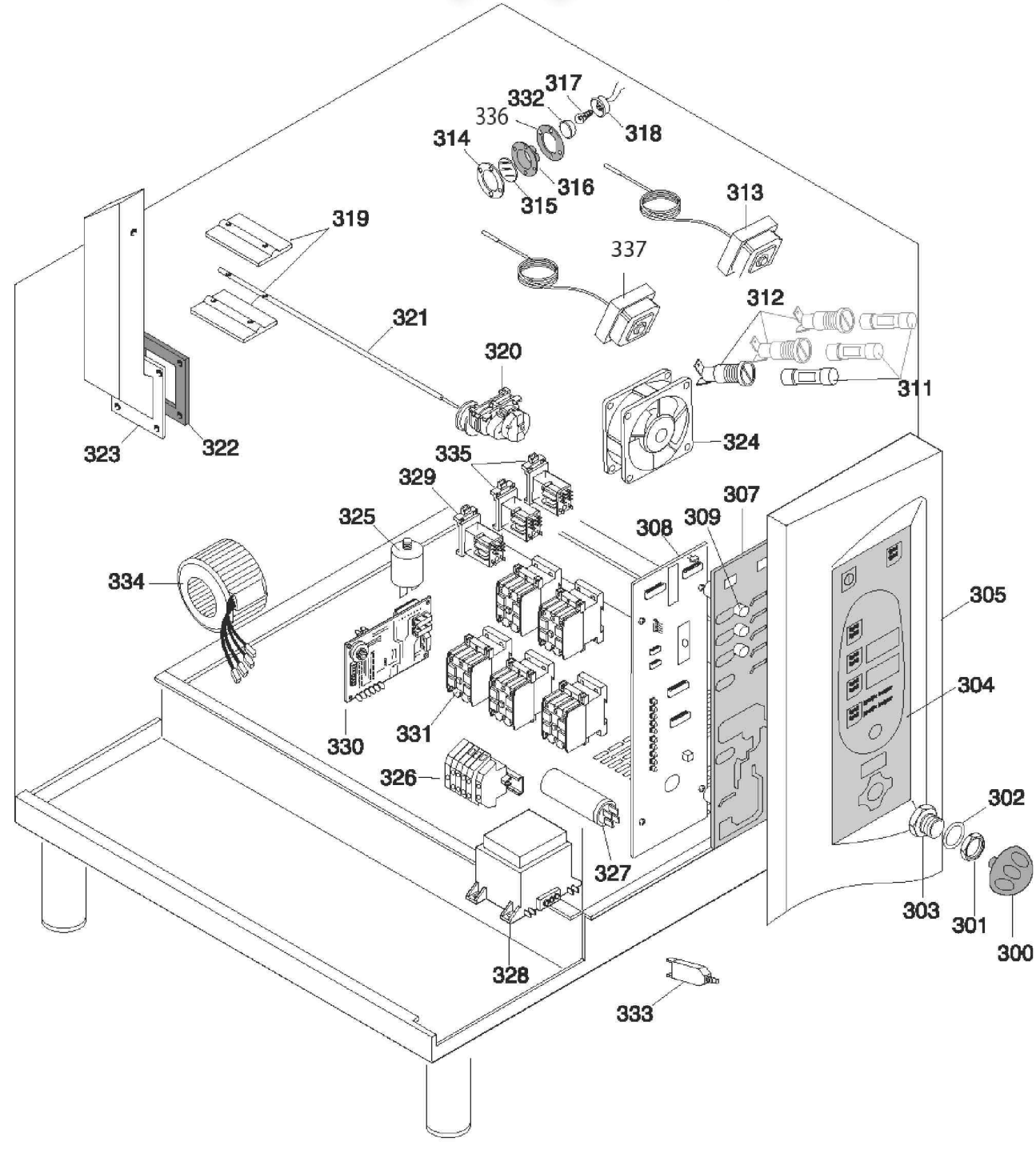












Зип Общепит

40 sezip.ru

+7(812)987-08-81

