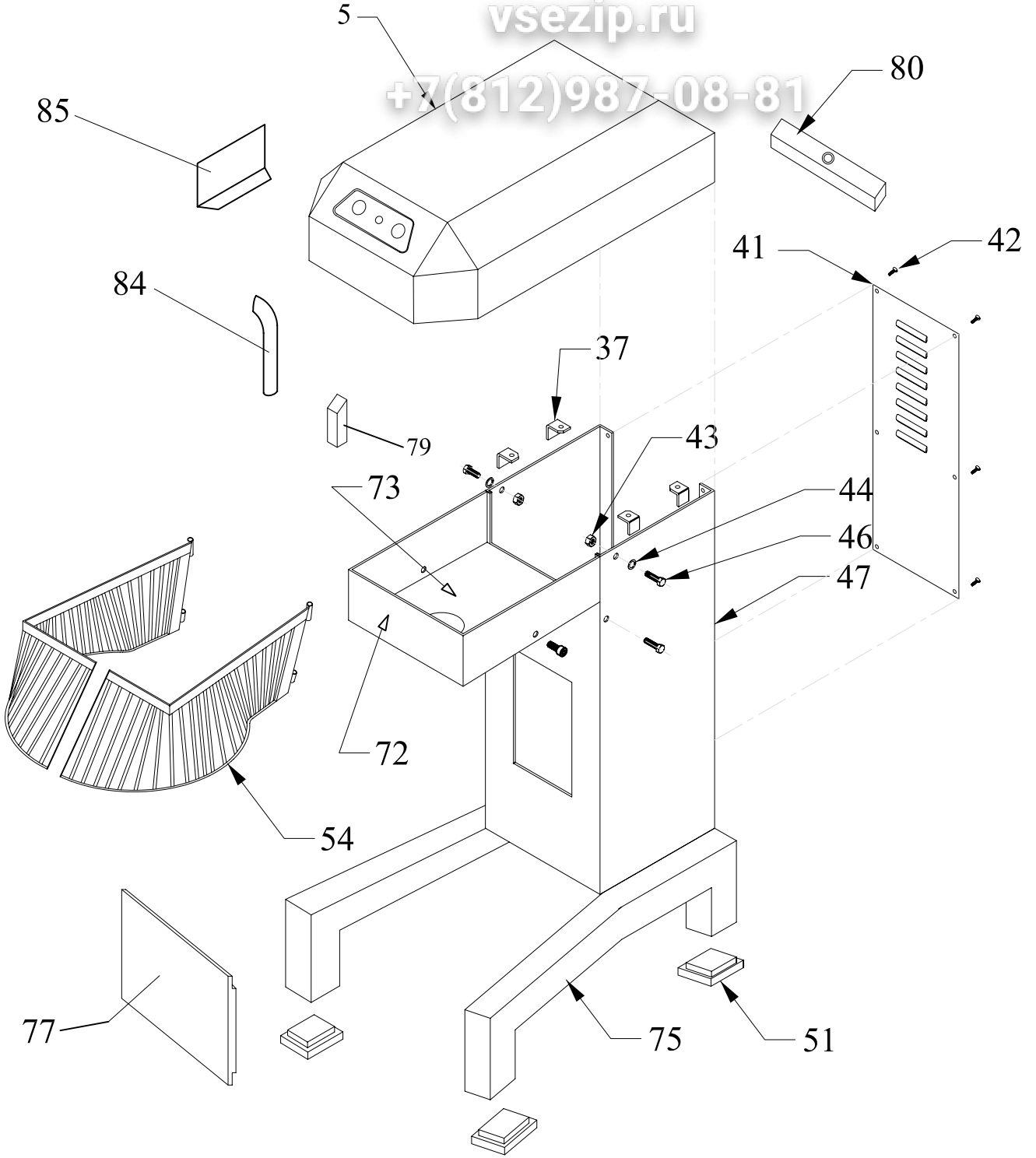


Зип Общепит

vsezip.ru

+7(812)987-08-81

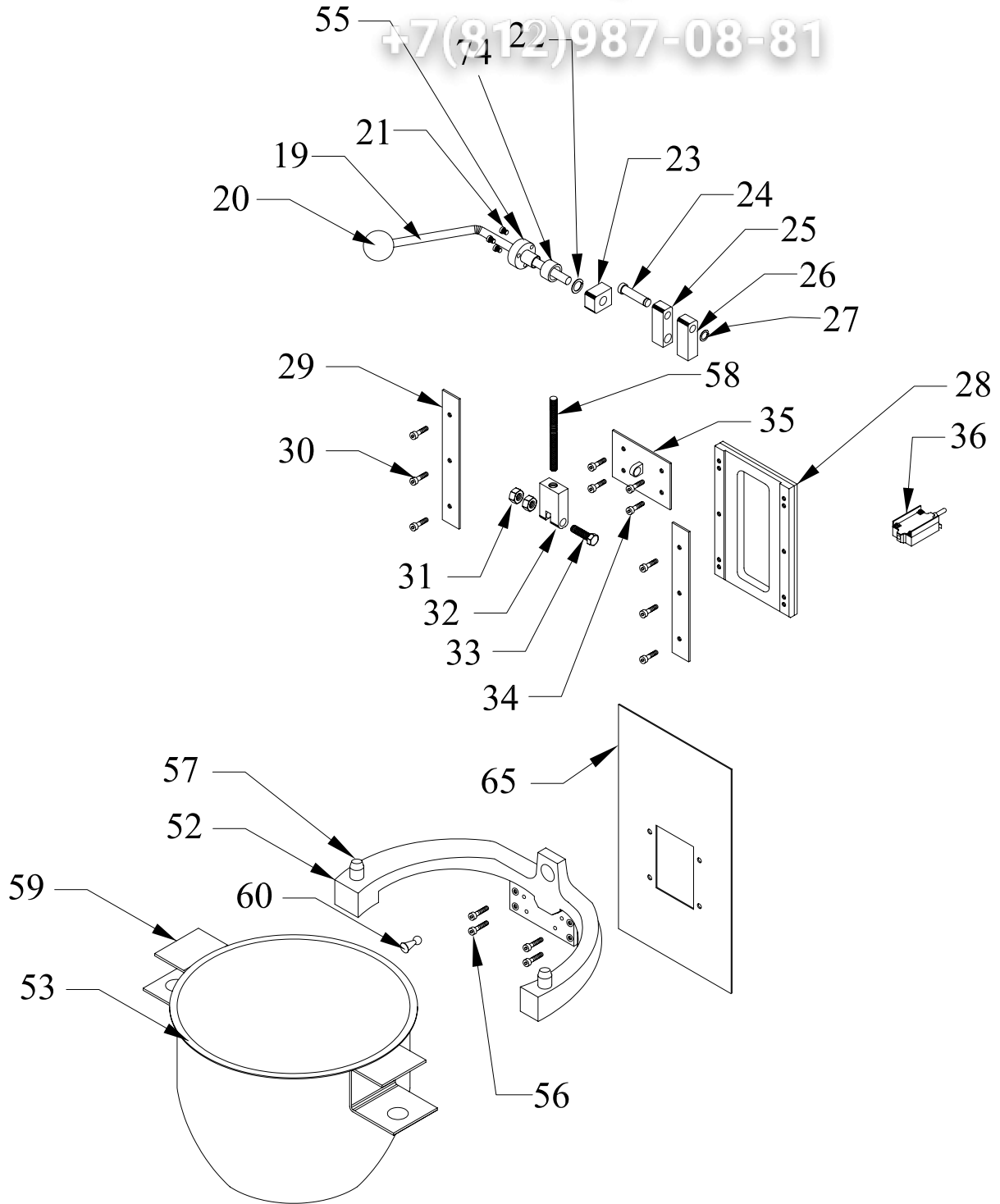


Çizen	Tarih	Adı Soyadı	İmza	Gereç	Adet	Gn.Tol.	öztiryakiler Madeni Eşya San.Ve Tic. A.Ş.		
Kontrol	08.09.2004	M.Emin TÜRKER							
Stan.Kont.		i.Ertan TOYLAN							
Ölçek		Ümit PINAR					Mon.Nr.	Resim Nr.	
	10 LT MIKSER GÖVDE GRUBU								522.000.00

Зип Ощепит

vsezip.ru

+7(812)987-08-81

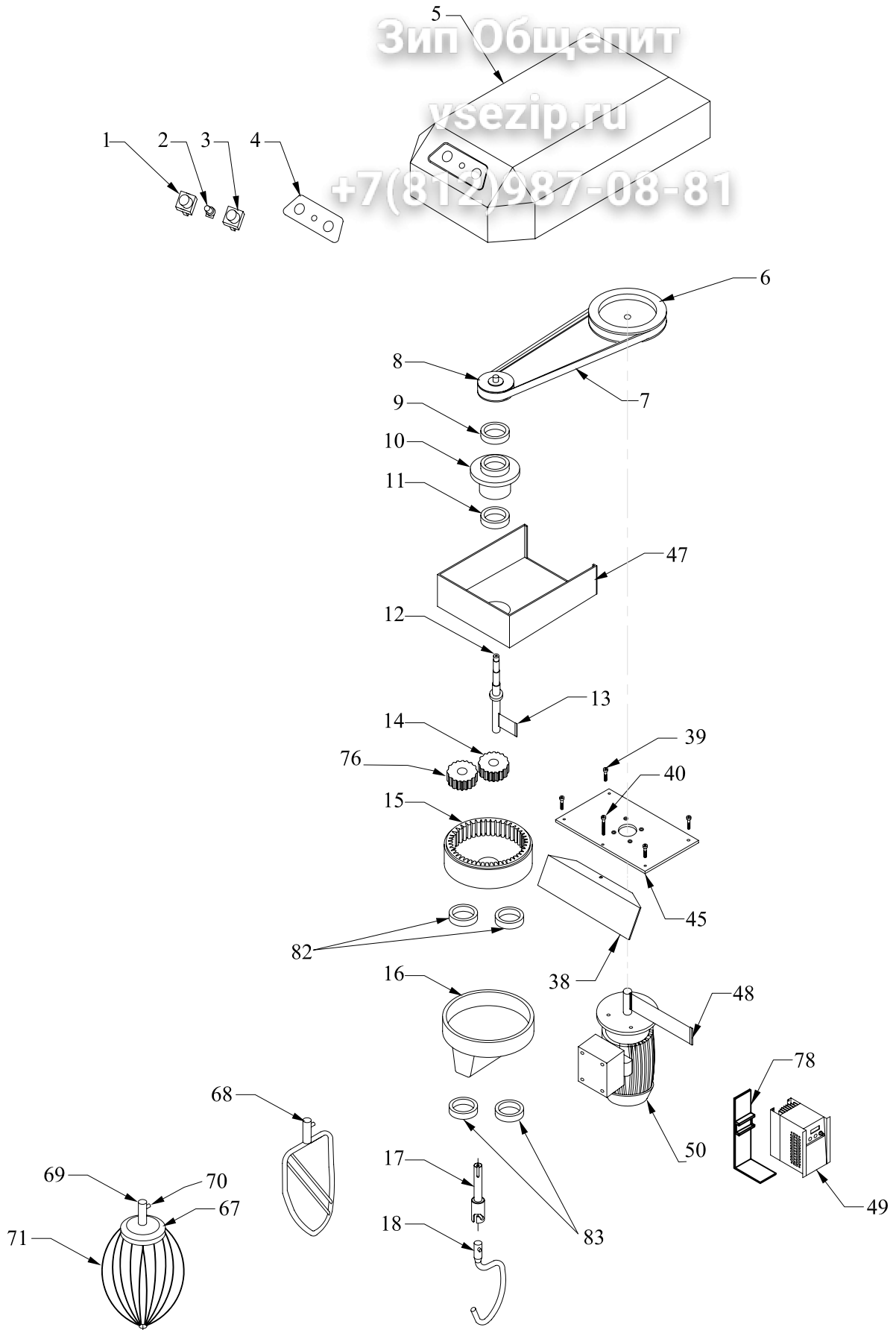


	Tarih	Adı Soyadı	İmza	Gereç	Adet	Gn.Tol.	öztiryakiler	
Çizen	06.09.2004	M.Emin TÜRKER					Madeni Eşya San.Ve Tic. A.Ş.	
Kontrol		İ.Ertan TOYLAN						
Stan.Kont.		Ümit PINAR						
Ölçek	10 LT MIKSER KAZAN KALDIRMA GRUBU						Mon.Nr.	Resim Nr.
								522.000.00

Зип Общепит

ysezip.ru

+7(812)987-08-81



	Tarih	Adı Soyadı	İmza	Gereç	Adet	Gn.Tol.	öztiryakiler		
Çizen	06.09.2004	M.Emin TÜRKER					Madeni Eşya San.Ve Tic. A.Ş.		
Kontrol		İ.Ertan TOYLAN					Mon.Nr.	Resim Nr.	
Stan.Kont.		Ümit PINAR						522.000.00	
Ölçek	10 LT MIKSER HAREKET GRUBU								

Site	POSITION NUMBER	PART CODE	Part Name
	001	6232.00003.02	START BUTTON
	002	6229.00034.09	POTANSIOMETER FOR SPEED ADJUSTMENT
	003	6232.00003.06	STOP BUTTON
	004	OM10G-001	ON REQUEST
	005	OM10G-002	ON REQUEST
	006	2810.00010.01	13*150 BELT PULLEY
	007	6263.00002.08	13*825 BELT
	008	2810.00010.02	ENGINE BELT PULLEY
	009	6211.00210.00	6004 ZZ BEARING
	010	2810.00010.03	ENGINE BELT PULLEY BEARING
	011	6211.00210.00	6004 2RS BEARING
	012	2810.00010.04	AXLE FOR ENGINE BELT PULLEY
	013	2810.00010.05	WEDGE FOR ENGINE BELT PULLEY AXLE
	014	6261.00017.22	POLYEMID GEAR
	015	2810.00010.51	POT GEAR
	016	2810.00010.06	GEAR HEAD
	017	2810.00010.07	PART FIXING AXLE
	018	2810.00010.08	KNEADING TOOL (please look at catalogue)
	019	OM10G-016	ON REQUEST
	020	6260.00065.00	GLOBULAR KNOB
	021	OM10G-018	ON REQUEST
	022	OM10G-019	ON REQUEST
	023	OM10G-020	ON REQUEST
	024	OM10G-021	ON REQUEST
	025	OM10G-022	ON REQUEST
	026	OM10G-023	ON REQUEST
	027	OM10G-024	ON REQUEST
	028	OM10G-025	ON REQUEST
	029	OM10G-026	ON REQUEST
	030	OM10G-027	ON REQUEST
	031	OM10G-028	ON REQUEST
	032	OM10G-029	ON REQUEST
	033	OM10G-030	ON REQUEST
	034	OM10G-031	ON REQUEST
	035	OM10G-032	ON REQUEST
	036	6232.00006.00	SWITCH
	037	OM10G-034	ON REQUEST
	038	OM10G-035	ON REQUEST
	039	OM10G-036	ON REQUEST
	040	OM10G-037	ON REQUEST
	041	2810.00010.39	REAR SHUTTER LID
	042	OM10G-039	ON REQUEST
	043	OM10G-040	ON REQUEST
	044	OM10G-041	ON REQUEST
	045	OM10G-042	ON REQUEST
	046	OM10G-043	ON REQUEST
	047	OM10G-044	ON REQUEST
	048	OM10G-045	ON REQUEST
	049	6229.00034.16	FREQUENCY INVERTER
	050	6252.00000.11	0,55KW 915 rpm B 14 SIEMENS ENGINE wi th FLANSH
	051	OM10G-048	ON REQUEST
	052	2810.00010.30	BOWL LIFTING BAR
	053	2810.00010.31	10 LT MIXER BOWL (please look at catalogue)
	054	2810.00010.41	PROTECTION CASE

	055	OM10G-052	ON REQUEST
	056	OM10G-053	ON REQUEST
	057	OM10G-054	ON REQUEST
	058	OM10G-055	ON REQUEST
	059	OM10G-056	ON REQUEST
	060	OM10G-057	ON REQUEST
	061	OM10G-058	ON REQUEST
	062	OM10G-059	ON REQUEST
	063	OM10G-060	ON REQUEST
	064	OM10G-061	ON REQUEST
	065	OM10G-062	ON REQUEST
	066	OM10G-063	ON REQUEST
	067	OM10G-064	ON REQUEST
	068	2810.00010.13	MIXING TOOL (please look at catalogue)
	069	OM10G-066	ON REQUEST
	070	OM10G-067	ON REQUEST
	071	2810.00010.16	BEATING TOOL (please look at catalogue)
	072	OM10G-069	ON REQUEST
	073	OM10G-070	ON REQUEST
	074	OM10G-071	ON REQUEST
	075	OM10G-072	ON REQUEST
	076	OM10G-073	ON REQUEST
	077	OM10G-074	ON REQUEST
	078	OM10G-075	ON REQUEST
	079	OM10G-076	ON REQUEST
	080	OM10G-077	ON REQUEST
	081	OM10G-078	ON REQUEST
	082	6211.00210.00	6004 ZZ BEARING
	083	6211.00210.01	6004 2RS BEARING
	084	OM10G-081	ON REQUEST
	085	OM10G-082	ON REQUEST