

TCR 968 06.01-51a/06.01-52a

"LS 360" LAVASTOVIGLIE A CESTO QUADRO							RIF	Da matricola
"LS 360" STATIONARY BASKET DISHWASHER							REF	from serial
a	b	c	d	e	f	g	N ^o	
500 120	500 110	500 042	500 043	500 130	727 106	5 CF 05B	05 09 86	
LS 360	LS 360D	LS 360F	LS 360DK	LS 360/63	7106 N			

Zanussi Grandi Impianti S.p.A.
Via Cesare Battisti, 12 - 31015 Conegliano (TV)
Italy

© RIPRODUZIONE, ANCHE PARZIALE, VIETATA

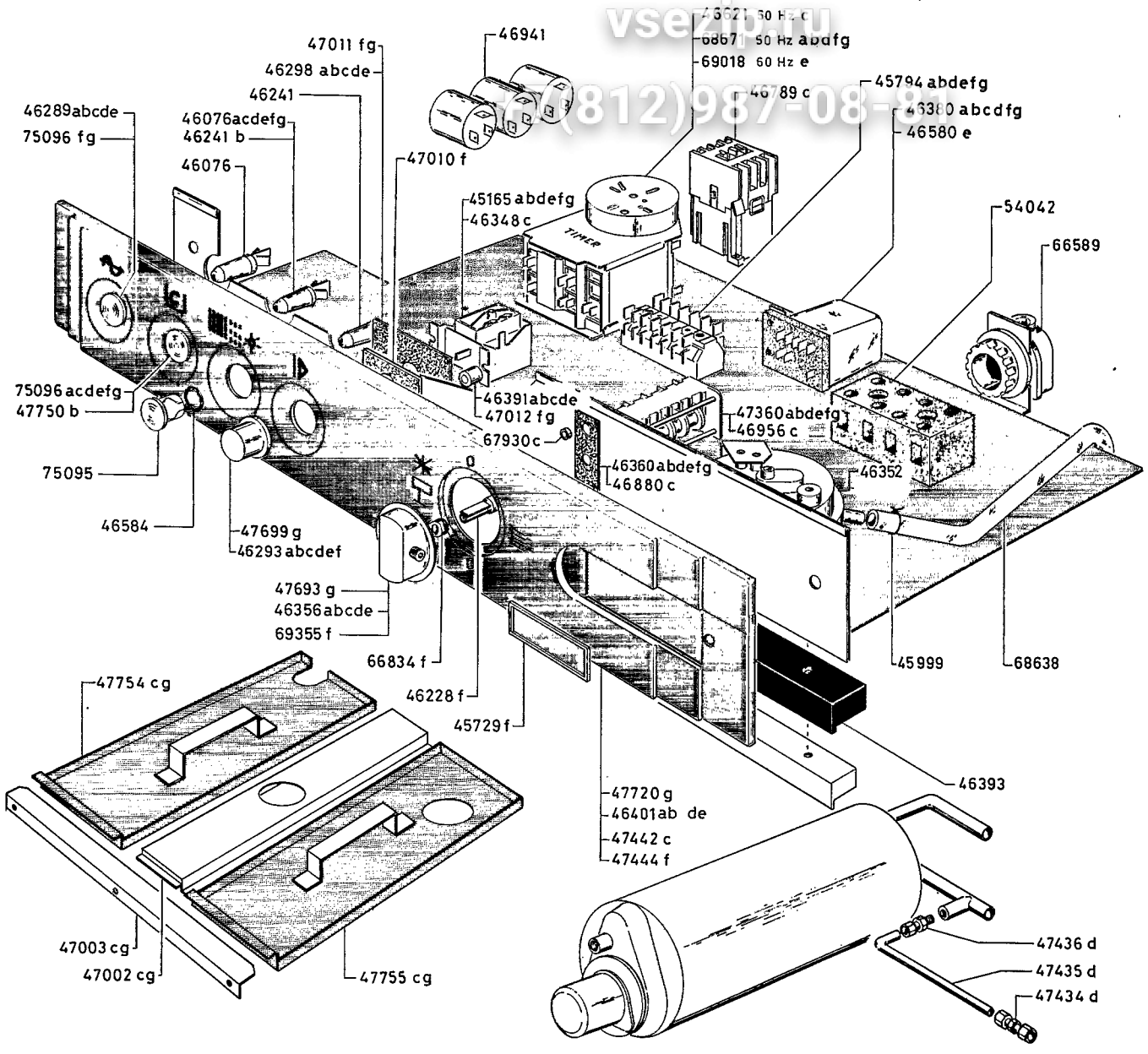
Issued 11/87

06 01-51a

Зип Общепит

vsezip.ru

(812) 987-08-80



"LS 360" LAVASTOVIGLIE A CESTO QUADRO							RIF.	Da matricola
"LS 360" STATIONARY BASKET DISHWASHER							REF.	from serial N°
a	b	c	d	e	f	g	05 09 86	
500 120 LS 360	500 110 LS 360 D	500 042 LS 360 F	500 043 LS 360 DK	500 130 LS 360/63	727 106 7106 N	5 CF 05 B		
							06	01-52 a