

## LAVATAZZINE GLASSWASHERS

# LB1 / LB2 / GW1 / GW2 / WT1 / WT2 / NGW

Code	Type	Ref.	Code	Type	Ref.
402000	LB1	o	402061	WT2	d
402001	LB1WS	p	402062	LB2DPDI	v
402002	LB1WSDP	q	402063	LB2WSDPDI	z
402010	WT1WSDP	a	402064	LB2WSDPD	x
402015	WT2TOP60	n	402065	LB2TOP	y
402016	WT2DPDI	b1	402066	LB2/3DP	j
402017	WT2WSDPDI	b2	402067	WT2/3DPD	k
402018	LB1TOP	r	402070	NGW	a7
402019	WT2TOPDI	b3	402071	NGWDPDD	a8
402020	LB2WS	s	698200	GW1	a1
402021	LB2	t	698201	GW1WS	a2
402022	LB2WSDP	u	698206	GW2DPG	b4
402030	WT2WSDP	b	698207	GW2WSDPG	b5
402032	WT2WSDPD	m	698208	GW2G	a3
402035	WT2WS	c	698209	GW2WSG	a4
402041	WT1	e	698210	GW2WS	a5
402042	WT1WS	g	698211	GW2	a6
402043	WT1TOP	h			
402044	WT2TOP	f			
402046	WT1/3DP	i			
402047	WT2/3DP	l			

## Pagina/ Page

## Indice/ index

2	Vista generale / Main view
3	Componenti idraulici / Hydraulic components
4	Componenti idraulici / Hydraulic components
5	Componenti elettrici / Electrical components
6 - 10	Lista ricambi / Spare parts list

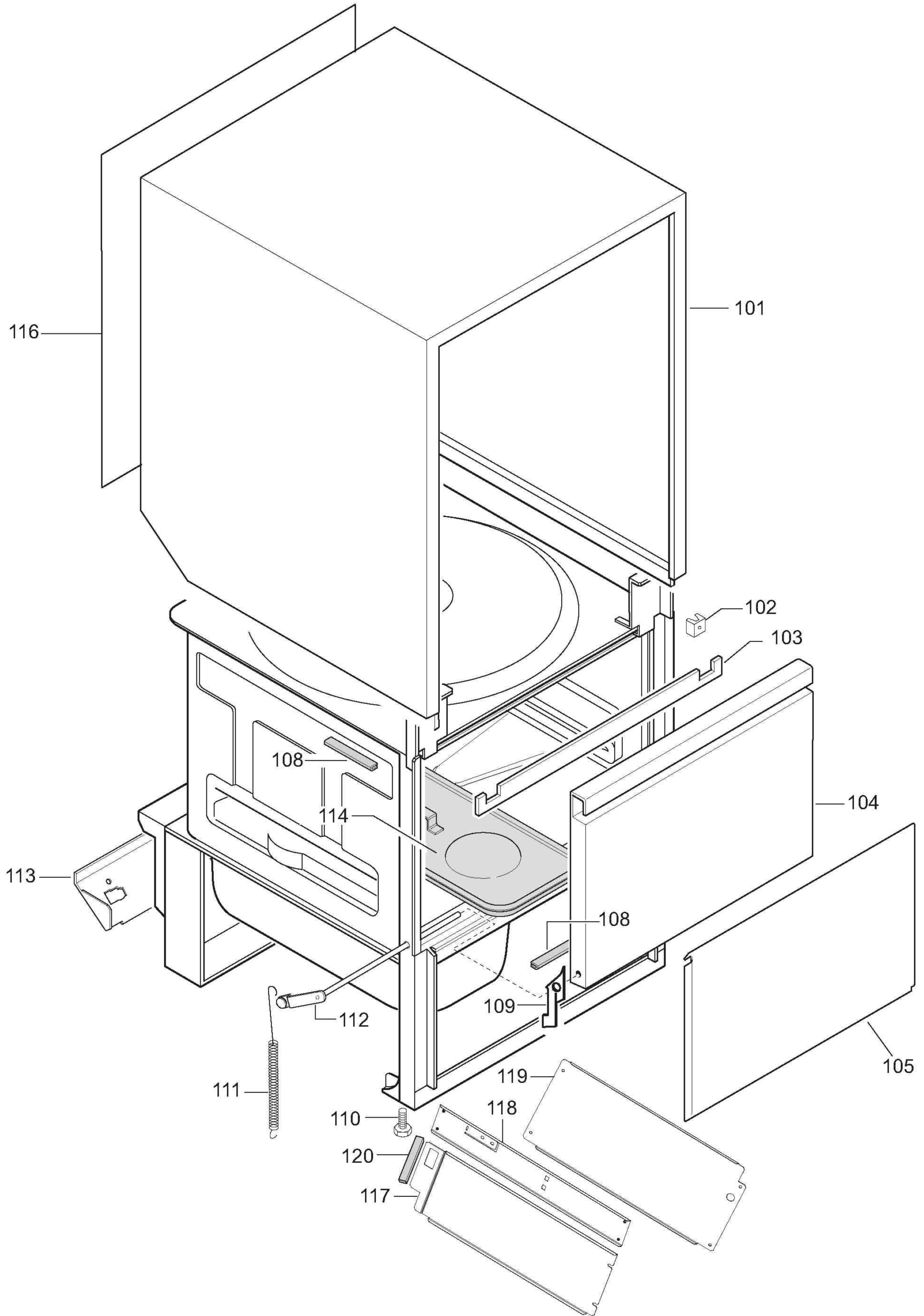
**Marchio/ Brand:** E  
**Paese/ Country:** Tutti/ All

Da Ser.Nr./From Ser.nr.: /908

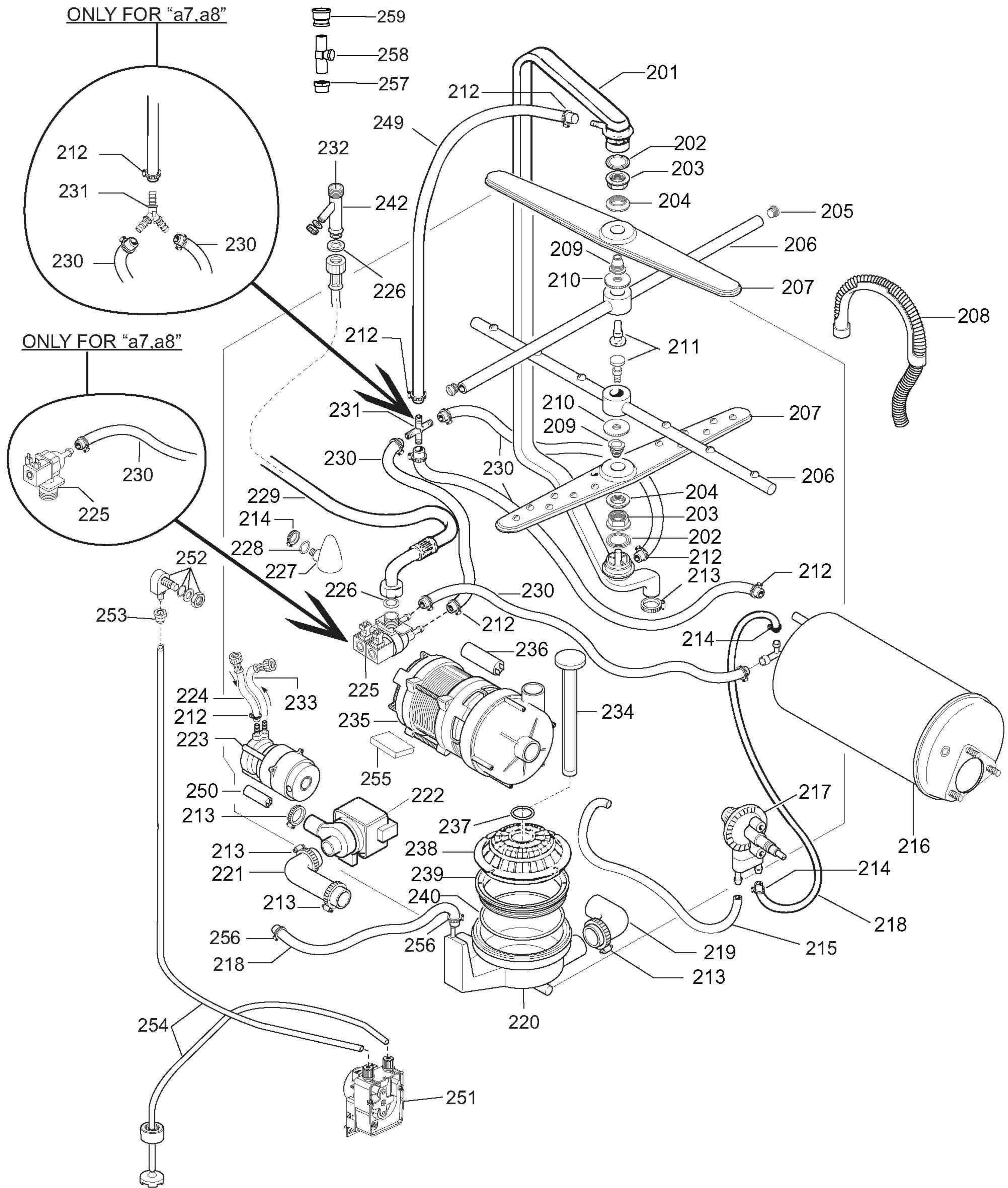
Page: 1

Ed. 2010-10

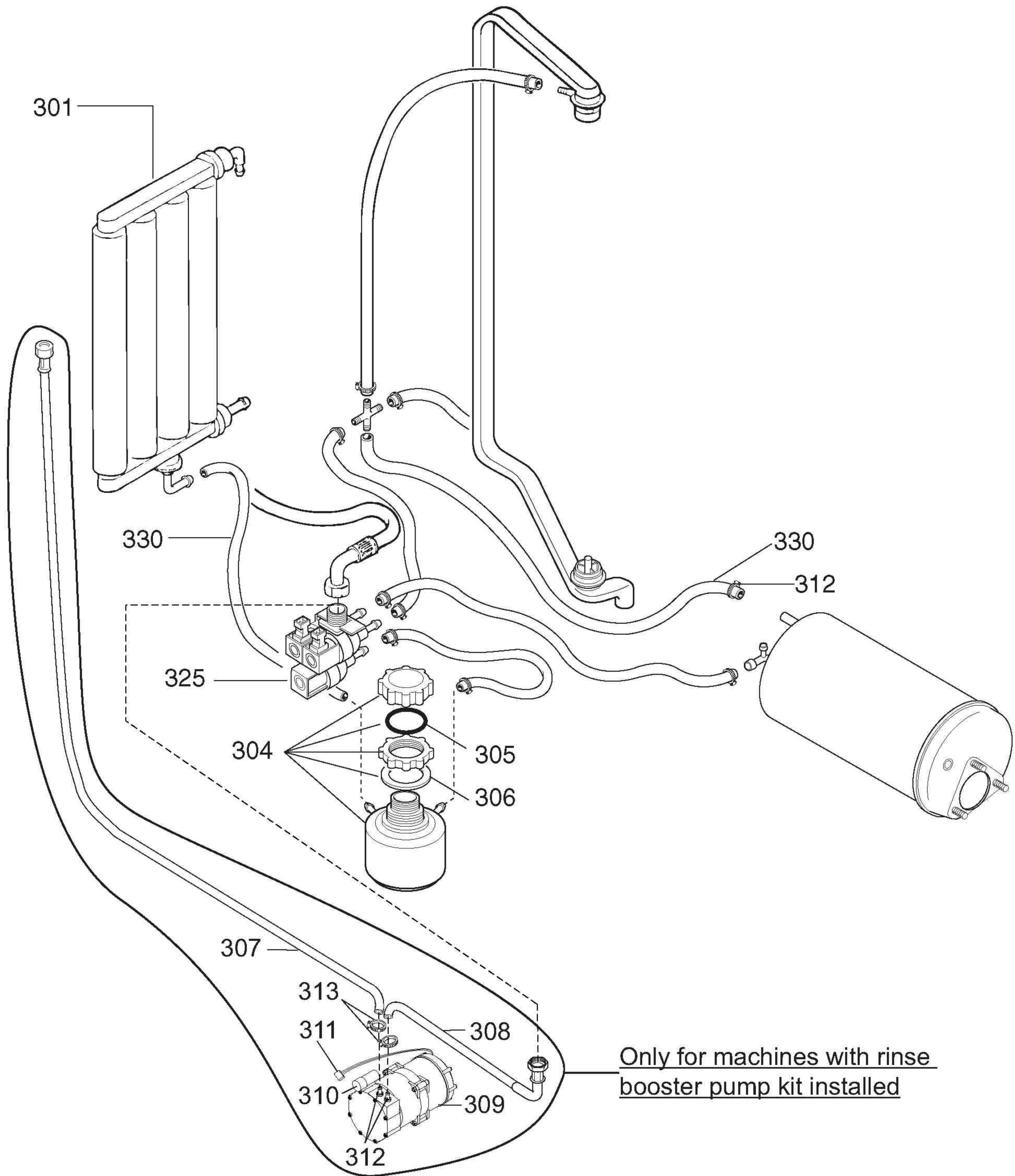
Doc. Nr.: **595666300**



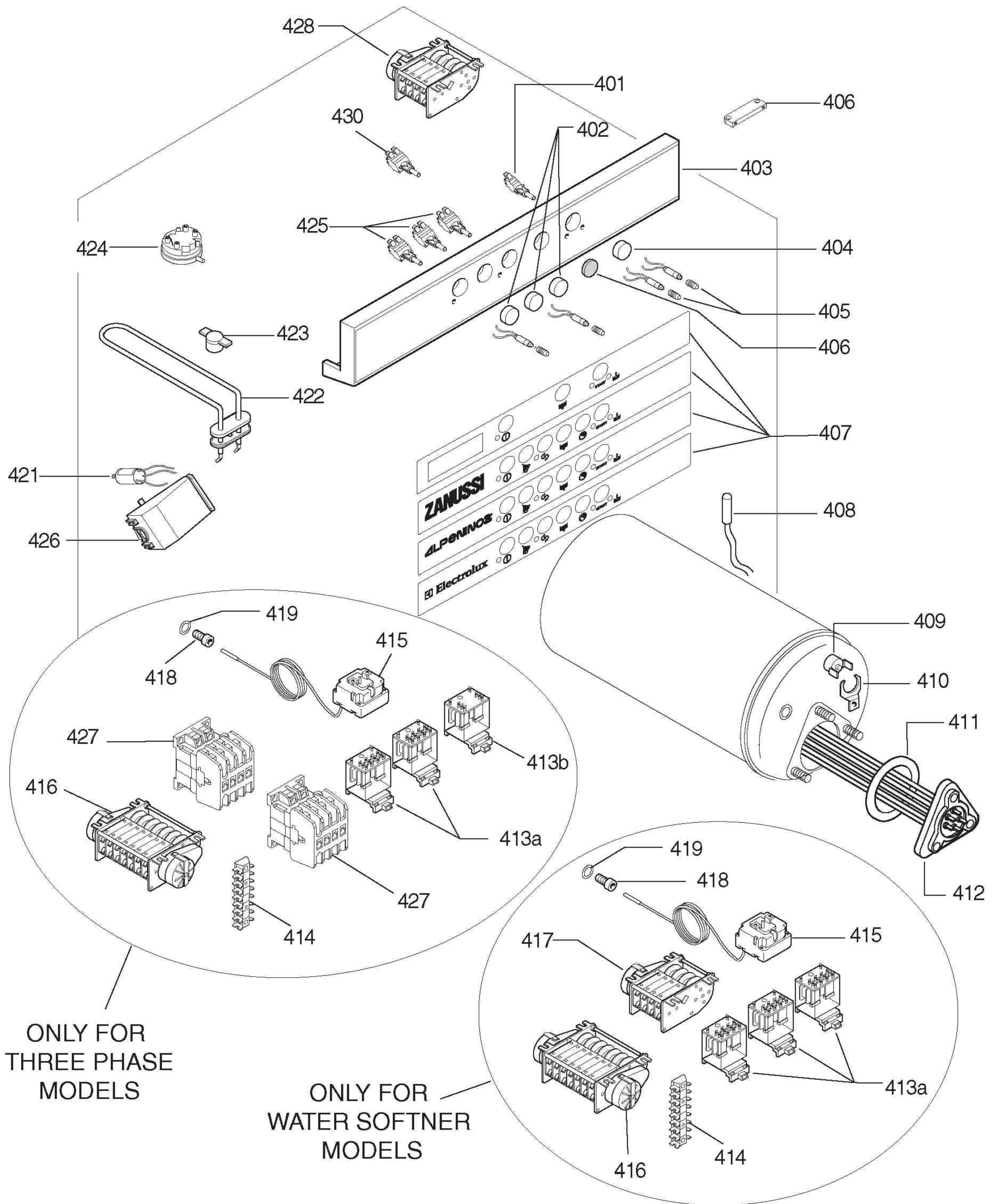
ill. 601801p1  
Vista generale / Main view



ill. 601801p2  
Componenti idraulici / Hydraulic components



ill. 601801p3  
Componenti idraulici / Hydraulic components



**ill. 601801p4**  
**Componenti elettrici / Electrical components**

**LAVABICCHIERI e TAZZINE per BAR  
GLASS and CUP-WASHER for BARS**

**WT 1 / WT 2 / WT2N**

Code	Type	Ref.
402010	WT1	a
402030	WT2	b
402032	WT2WSDPD	m
402035	WT2WS	c
402041	WT1	e
402042	WT1WS	g
402043	WT1TPO	h
402044	WT2TOP	f
402050	WT2AUS	d
402046	WT1CHCNOWS	i
402047	WT2CHCNOWS	l

Pagina/ Page	Indice/ index
2	Vista generale / Main view
3	Componenti idraulici / Hydraulic components
4	Componenti idraulici / Hydraulic components
5	Componenti elettrici / Electrical components
6 - 9	Lista ricambi / Spare parts list

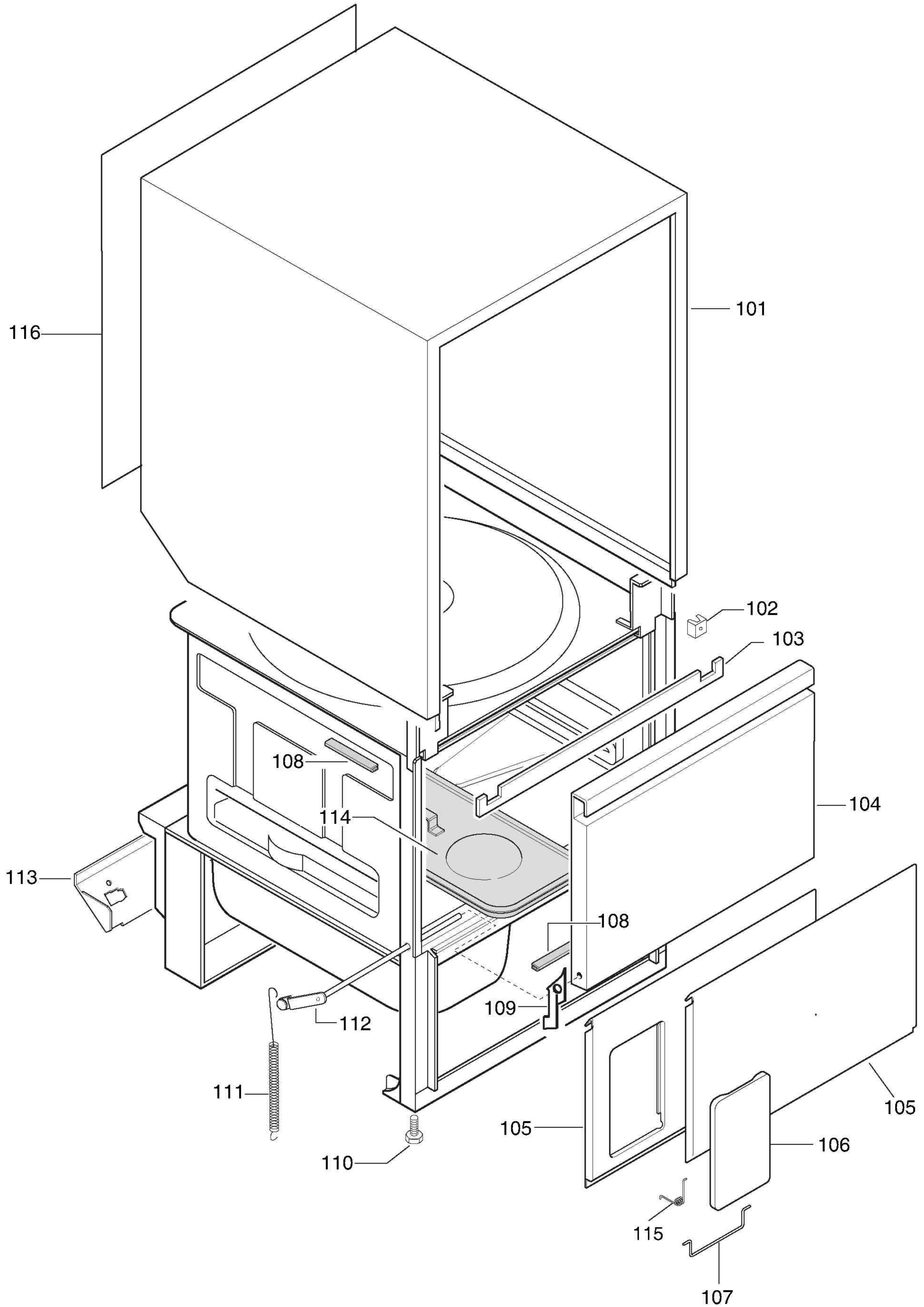
**Marchio/ Brand:** E  
**Paese/ Country:** Tutti/ All

Da Ser.Nr./From Ser.nr.: /636...

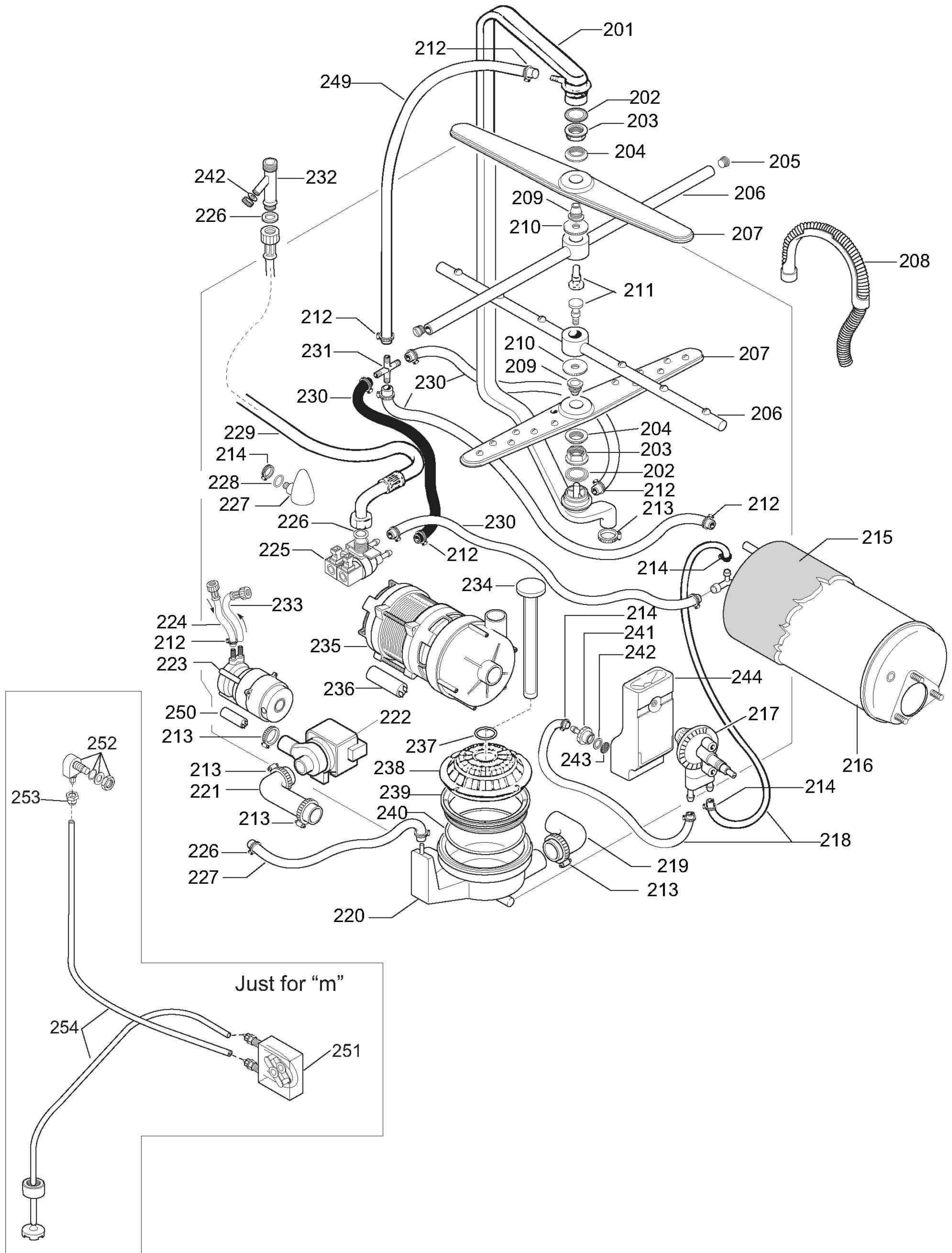
Page: 1

Ed. 2008-09

**Doc. Nr.: 6-01 801**

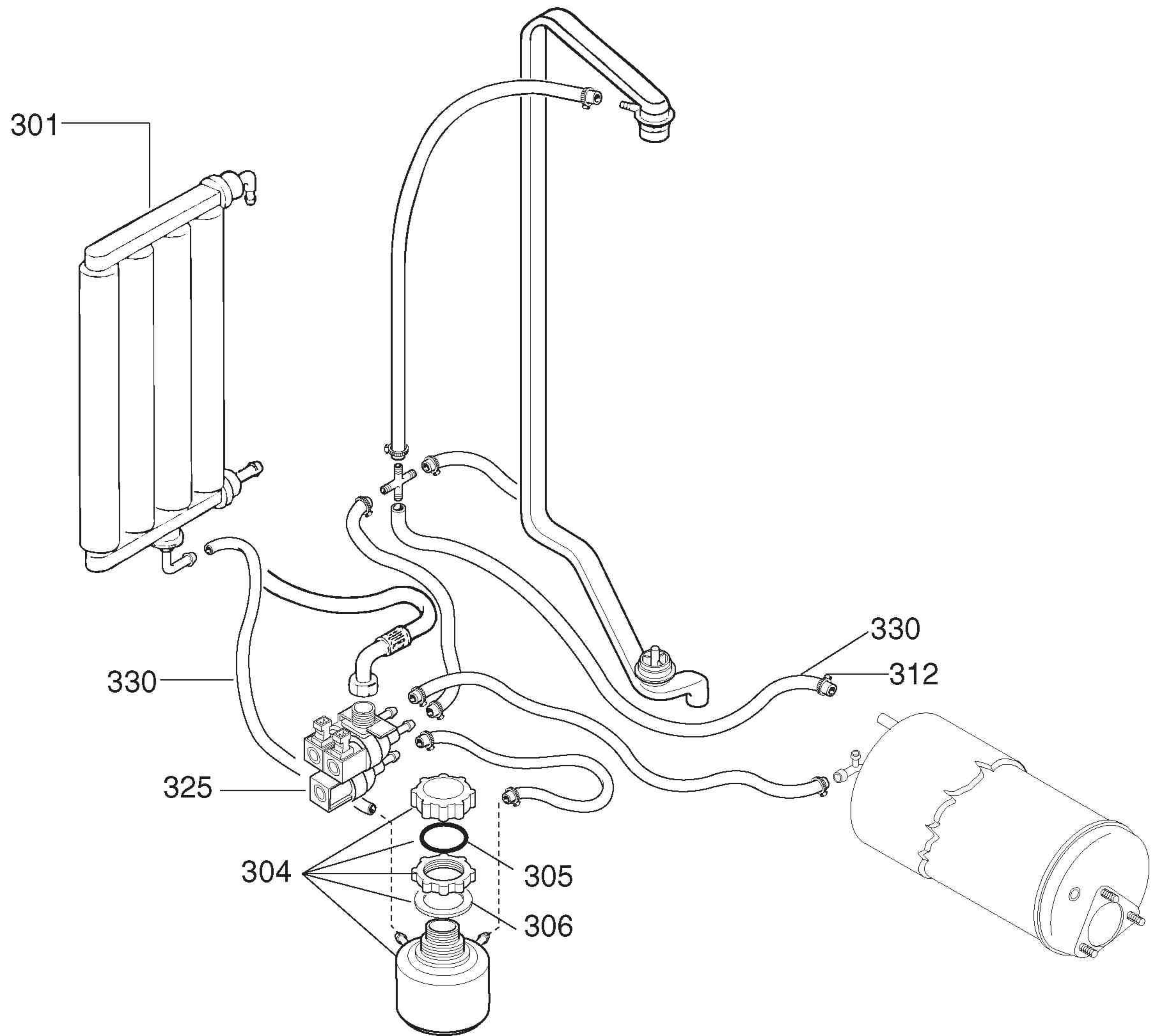


ill. 601801p1  
Vista generale / Main view

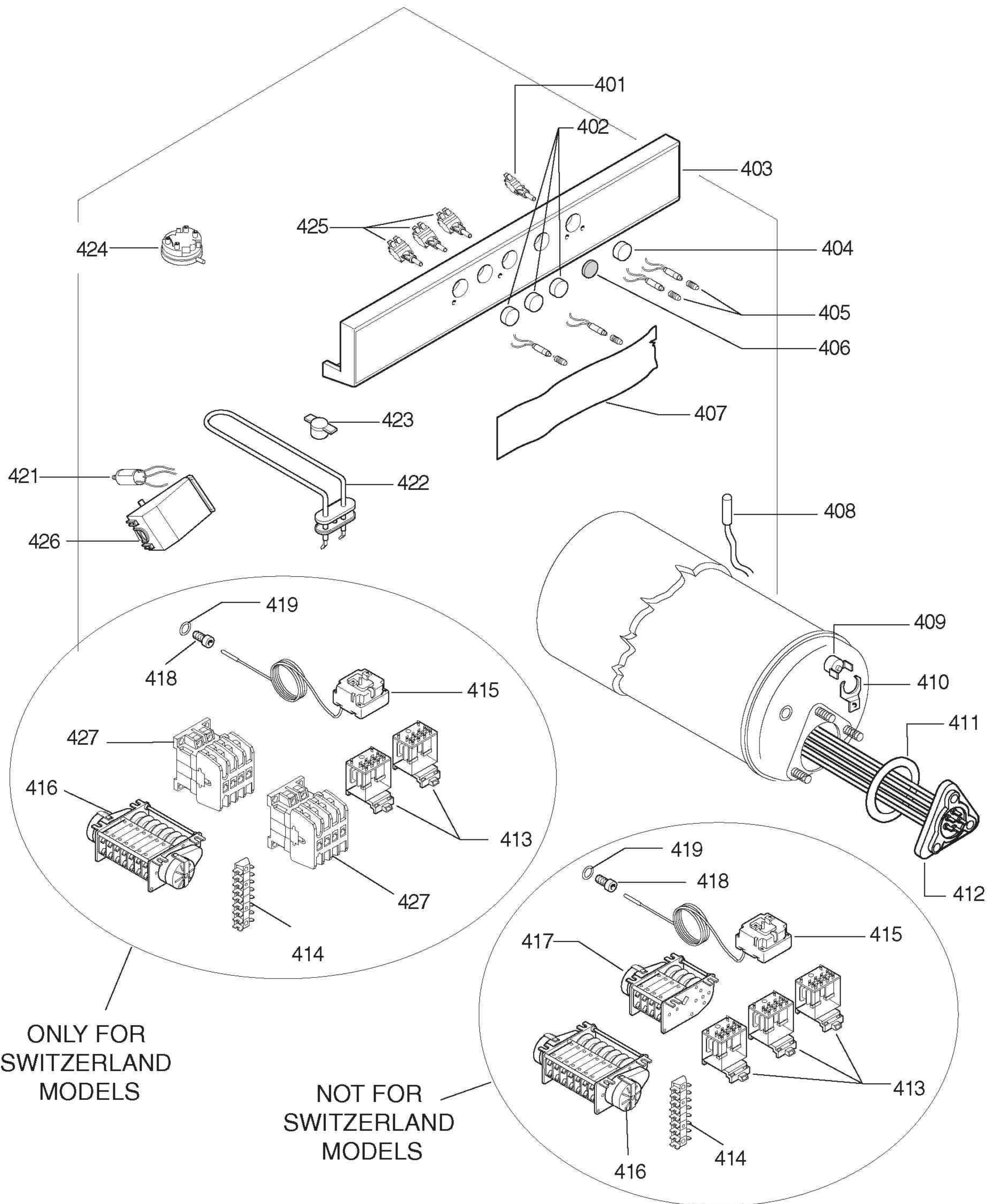


ill. 601801p2  
Componenti idraulici / Hydraulic components





**III. 601801p3**  
**Componenti idraulici / Hydraulic components**



**ill. 601801p4**  
**Componenti elettrici / Electrical components**