

## LO 10 - SH 55

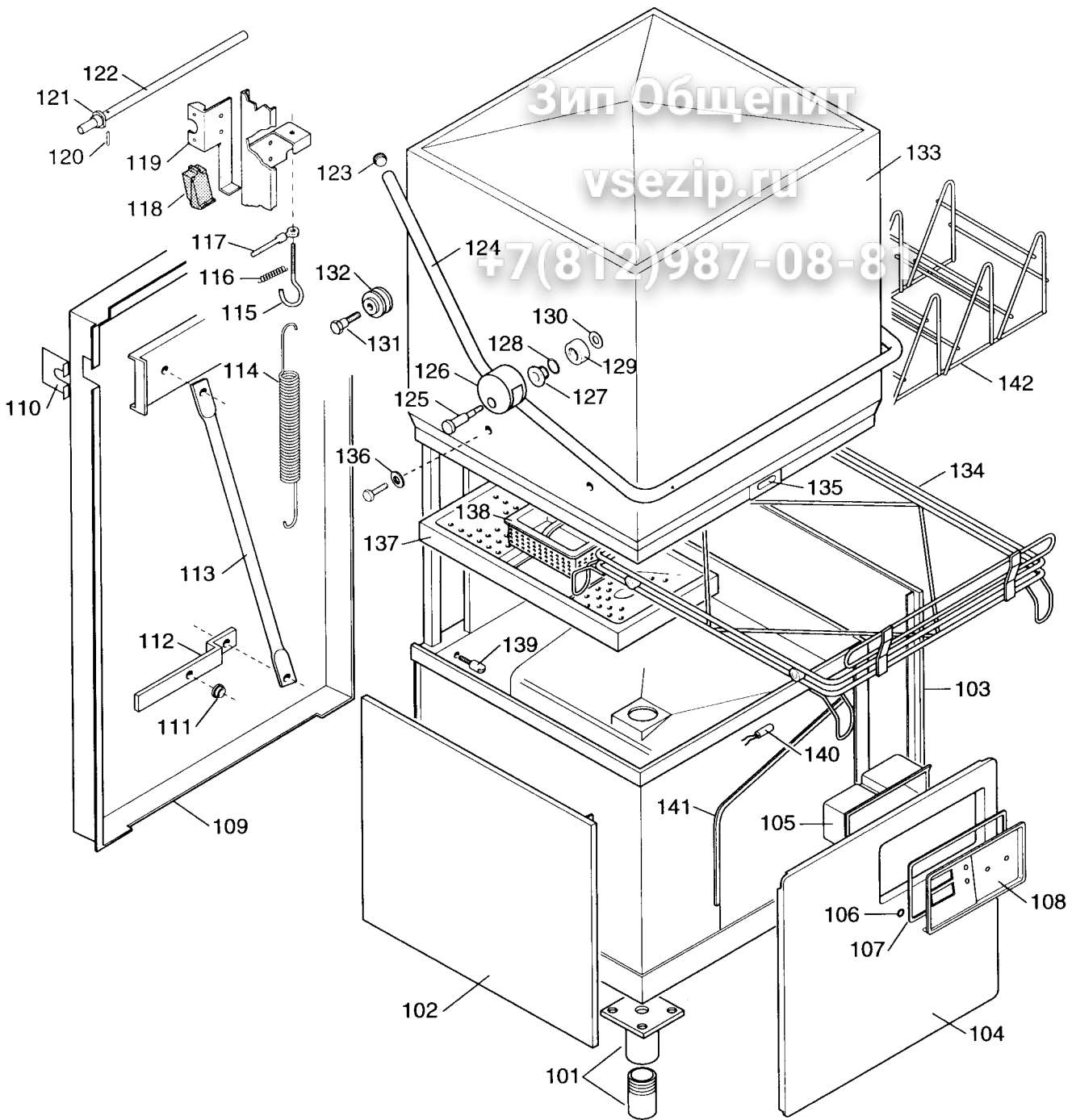
Code	Type	Ref.
504 016	SH 55	a
504 017	LO 10	b

Pag. **Indice**

2	Vista generale
3	Componenti idraulici
4	Circuito idraulico
5	Componenti elettrici
6-8	Lista ricambi

**Index**

Main view
Hydraulic components
Hydraulic circuit
Electrical components
Spare parts list



ill. 641031p1

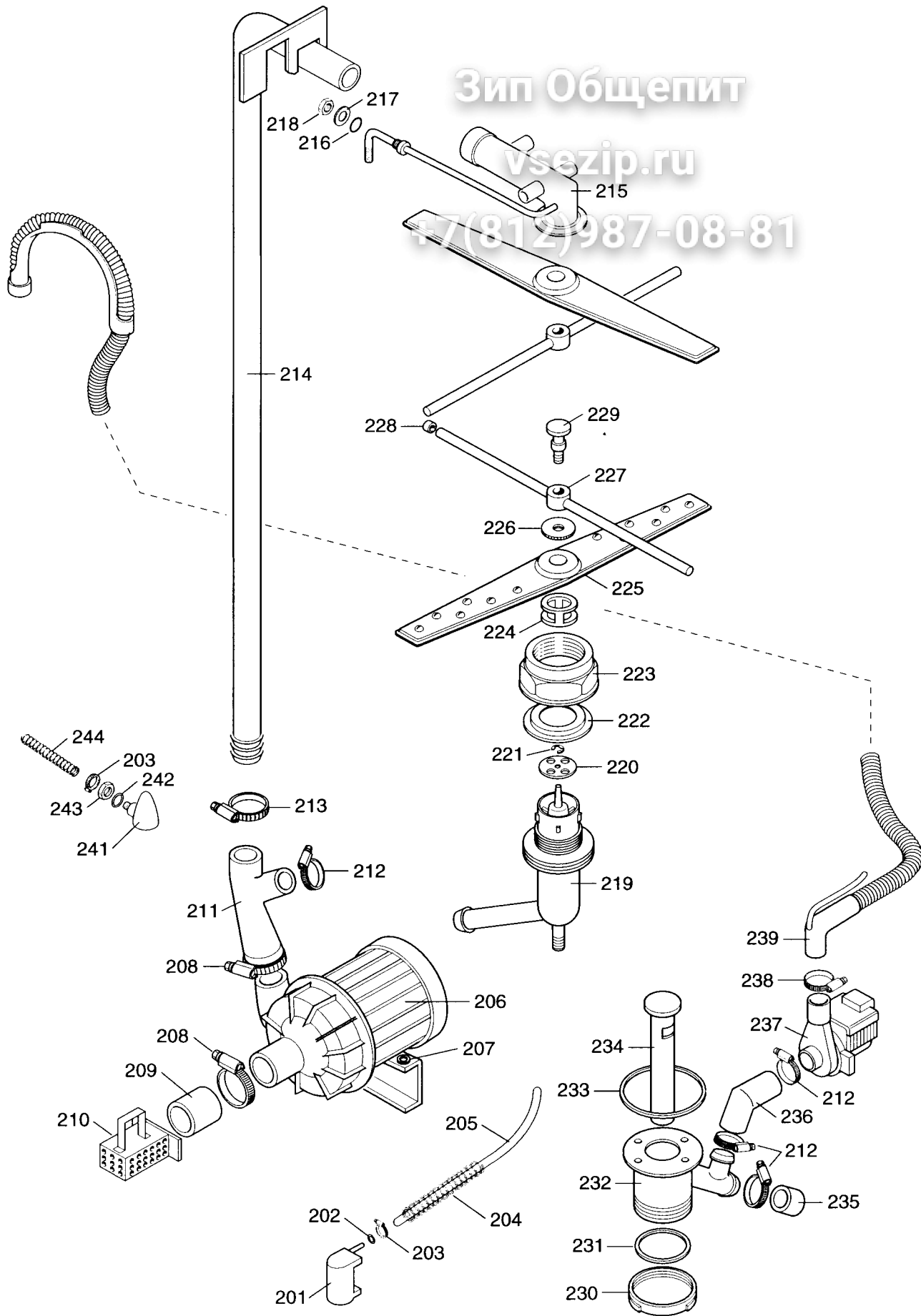
Da Ser. Nr. / From ser. nr.: 711/....

Page: 1

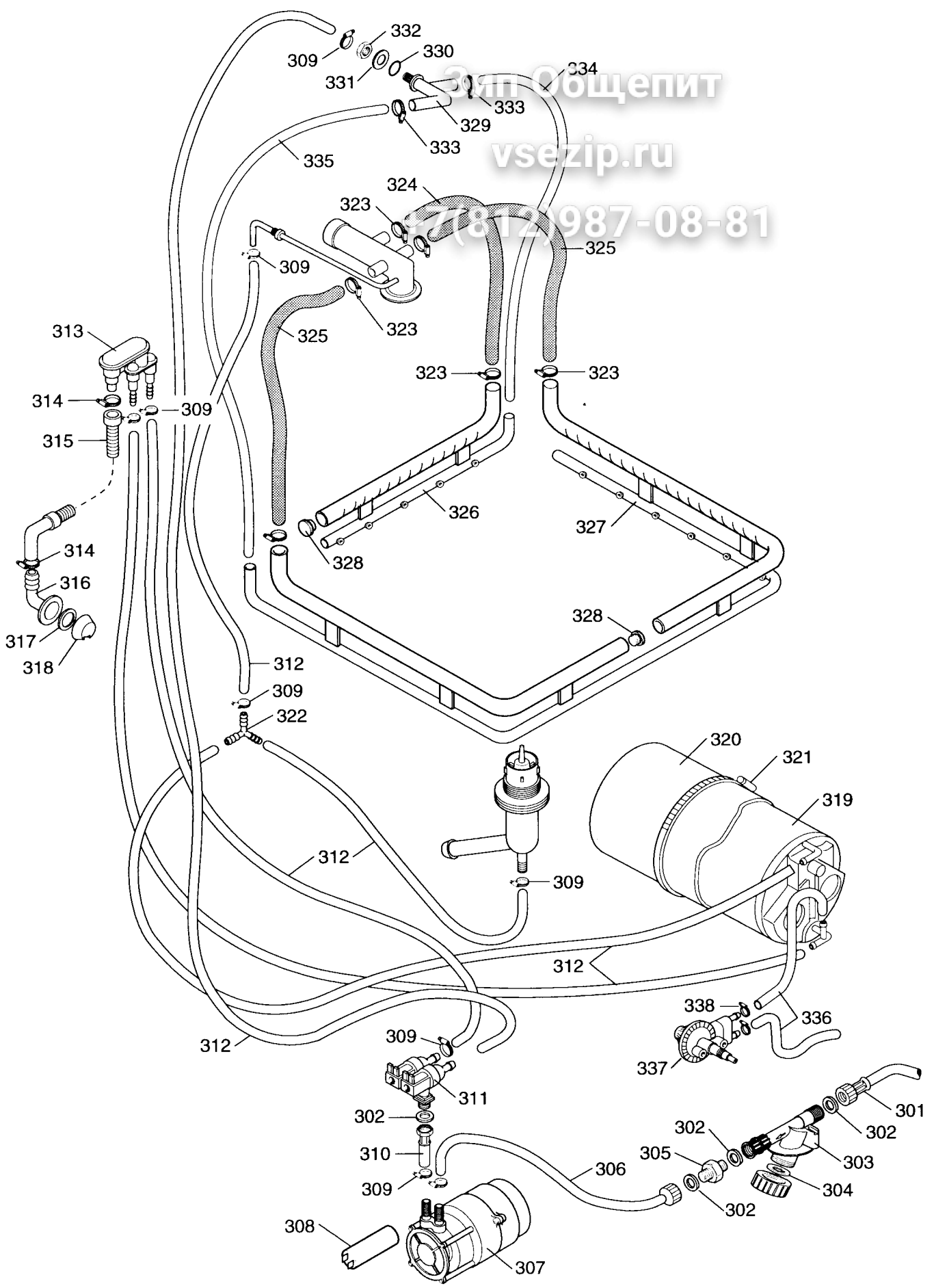
Ed. 9710

Doc. Nr.:

**6-41 031**

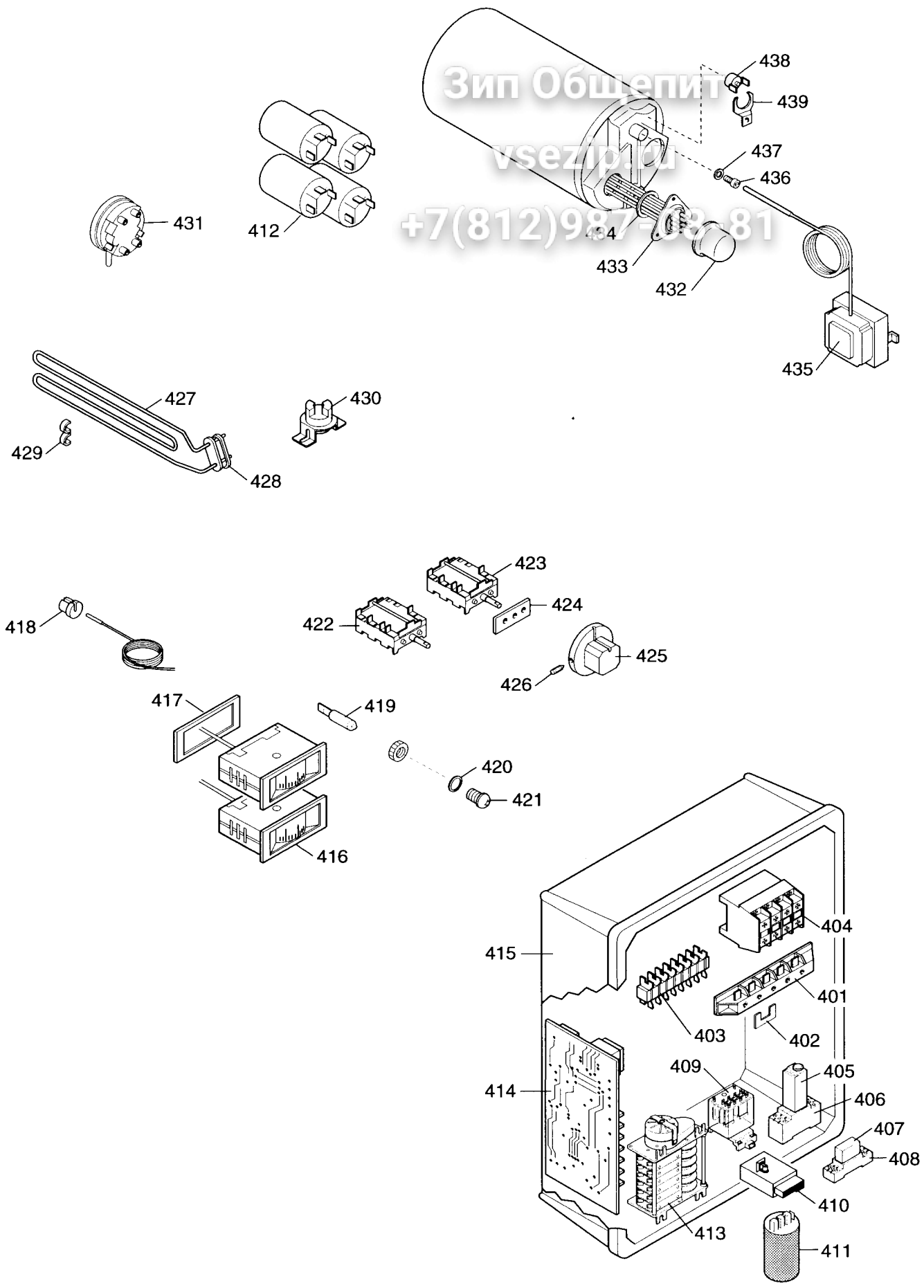


ill. 641031p2



ill. 641031p3

Зип Общежит  
vsezip.ru  
+7(812)987-08-81



ill. 641031p4