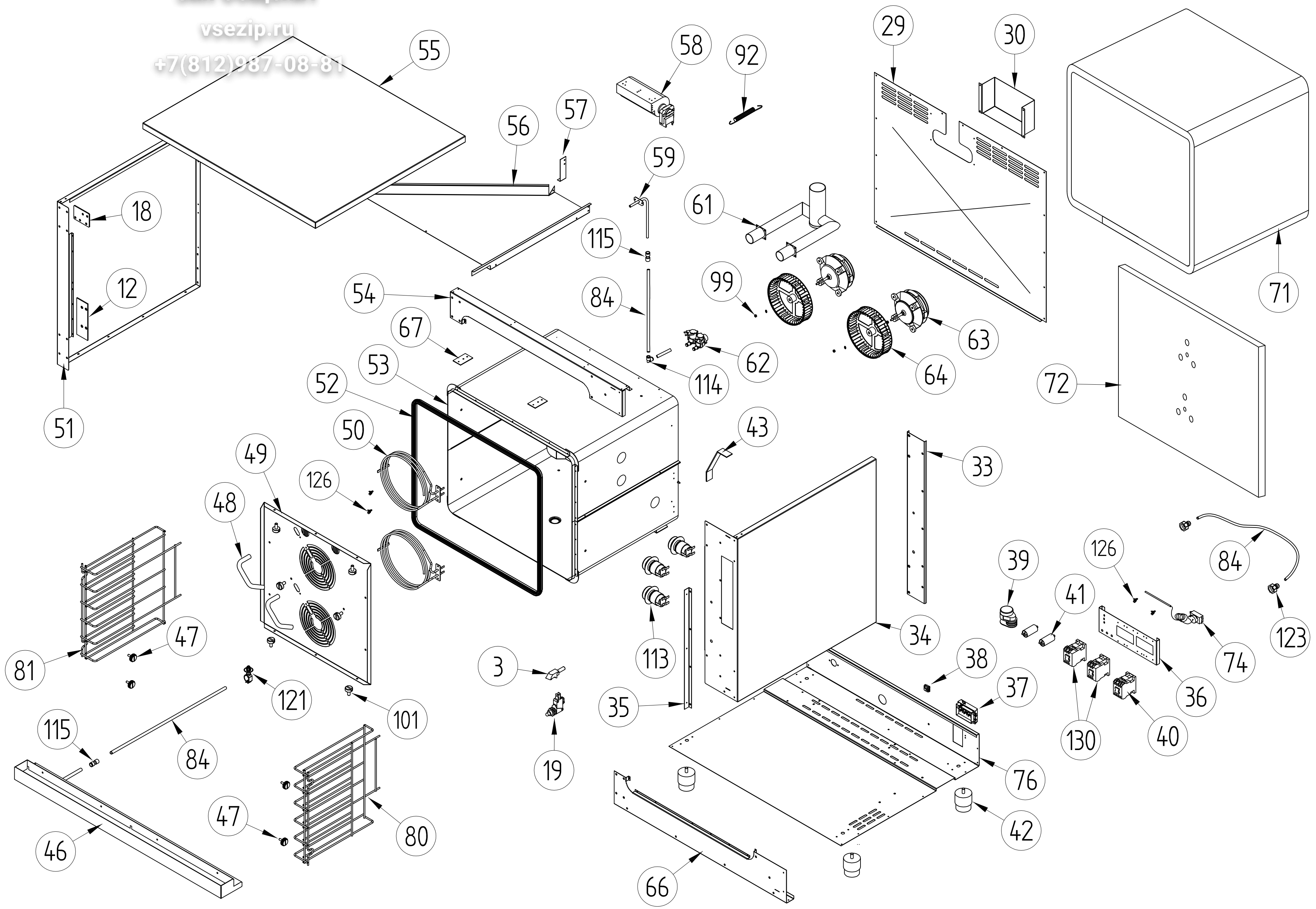


Зип Общепит
vsezip.ru
+7(812)987-08-81



4			TOLLERANZE: UNI 5307	SCALA	www.piron.it	DENOMINAZIONE	ESPLOSO FORNO MECCANICO	DISEGNATO:
3			da 1 a 6 ±0,08 da 6 a 18 ±0,12 da 18 a 50 ±0,18 da 50 a 80 ±0,23 da 80 a 120 ±0,27 da 120 a 250 ±0,33 da 250 a 400 ±0,42 da 400 a oltre ±0,50			MATERIALE	MODELLO	VERIFICATO
2				DATA		TRATTAMENTO	FORNO 906RXS	DISEGNO
1				08/08/2012		FILE	ESP30108
RELEASE	MODIFICHE	FIRMA						

LISTA DISTINTA BASE RICAMBI al: 22/11/13
 Dall'articolo: G906RXS00001 Ditta: PIRON
 All'articolo : G906RXS00001

ARTICOLO	U.M.	DATA EV.	CPR	CCA
----------	------	----------	-----	-----

G906RXS00001	STEAM OVEN LINE 900 6 TRAYS GN1/1	PZ	30/04/13	100	CPR
--------------	-----------------------------------	----	----------	-----	-----

DISEGNO	COD RICAMBIO	DESCRIZIONE	QTA
	CRU60019	CRUSCOTTO F906 IX430 SB 8/10 (NUOVI FRONT	1,00000
	FR030042	***FRONTALINO POLIC. G906 PIRON***	1,00000
	MOT30001	TANGENTIAL COOLING FAN	1,00000
011	GUA30002	GASKET	2,78000
012	LAM30003-A	COMPLETE LAMP	3,00000
014	DAD30005	NUT M5	2,00000
016	PIA30014	SUPPORT FOR SAFETY THERMOSTAT SENSOR	2,00000
017	RAC30001	STRAIGHT CONNECTOR Ø8	3,00000
019	RES30006	HEATING ELEMENT 4000W Ø226	2,00000
028	MOT30010	MOTOR 250W	2,00000
029	IND30002	ORANGE INDICATOR LIGHT	2,00000
030	IND30001	GREEN INDICATOR LIGHT	1,00000
031	SUP30060	SUPPORT OF COMPONENTS FOR COMMAND PANEL	4,00000
035	MAN30014	CONTROL KNOB	4,00000
071	RAC30003	90° CONNECTOR Ø8	2,00000
072	MOR30001	TERMINAL BLOCK	1,00000
078	TUB30028	PIPE Ø8	2,30000
082	PUL30006	DOOR SWITCH	1,00000
083	PIE30003	ADJUSTABLE FOOT	4,00000
089	VIT30042	DEFLECTOR SCREW M5	8,00000
091	VIT30001	SCREW FOR LATERAL TRAY SUPPORT	4,00000
092	COM30001	MAIN SWITCH	1,00000
094	PRG30001	TIMER 0-120 MINUTE	1,00000
096	TER30003	THERMOSTAT L=1000 500/600/800/900 TM1518	1,00000
097	TER30004	THERMOSTAT ELECT. HUMIDIFIER	1,00000
098	DIS30002	CABLE CLIP	1,00000
10	PIA30015	DOOR HINGE SUPPORT	2,00000
109	TUB30006	DEFLECTOR PIPE	2,00000
110	ELE30005	ELECTRIC VALVE - DOUBLE	1,00000
121	GRI30001	LATERAL TRAY SUPPORT 906/916	2,00000
140	TER30008	THERMOSTAT DPL MR 335	1,00000
161	MOR30002	TERMINAL BLOCK	1,00000
258	VEN30004	IMPELLER FAN V200X48	2,00000
474	TEL30005	CONTACTOR	2,00000
567	MAG30001-A	DOOR HANDLE	1,00000
568	MAG30001-B	DOOR HANDLE NODE	1,00000

Gestware