

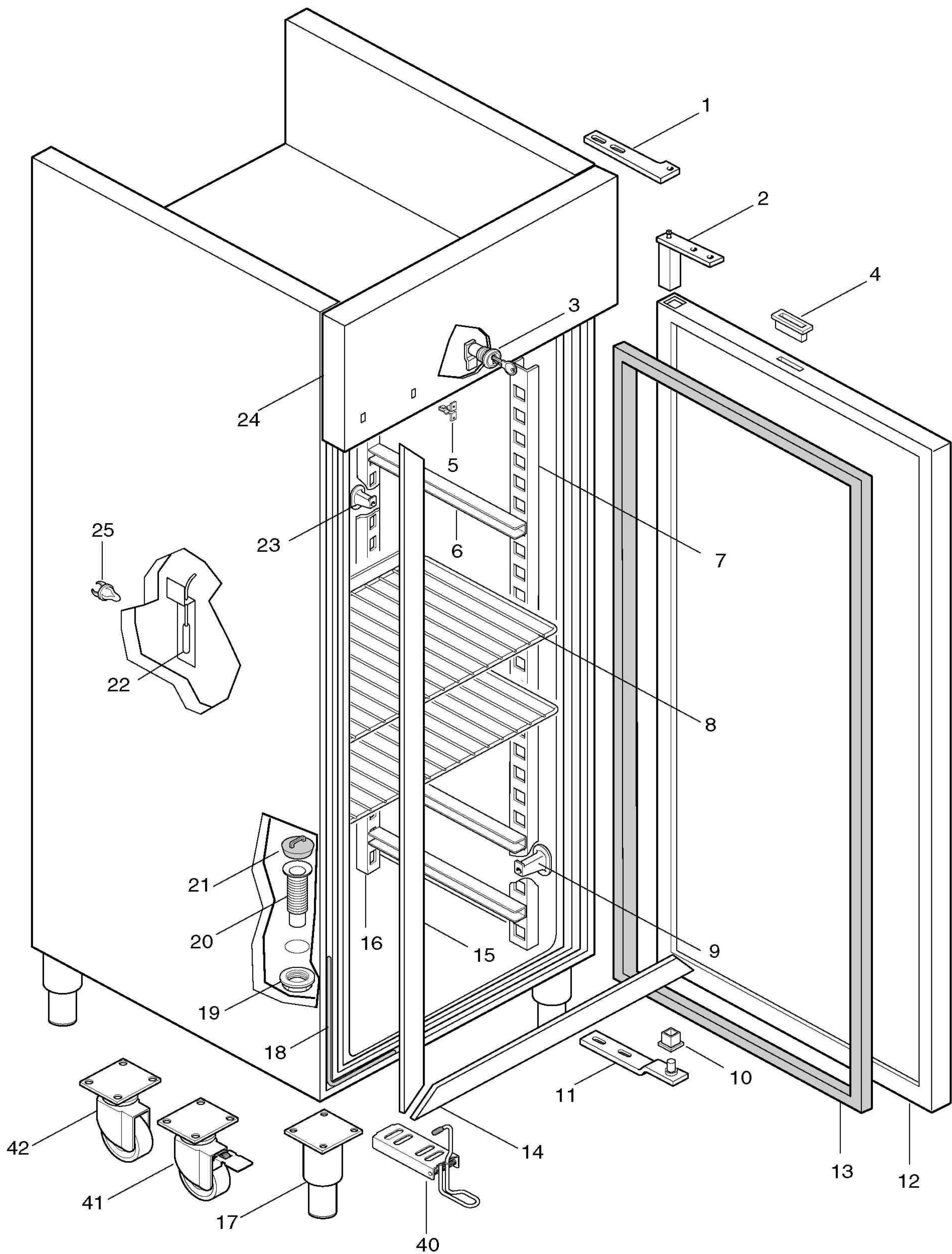
550/650 L - REFRIGERATORS
FRIGORIFERI DA 550/650 LT

 Electronic Heavy Duty Range
 -2° C - 1M - full door

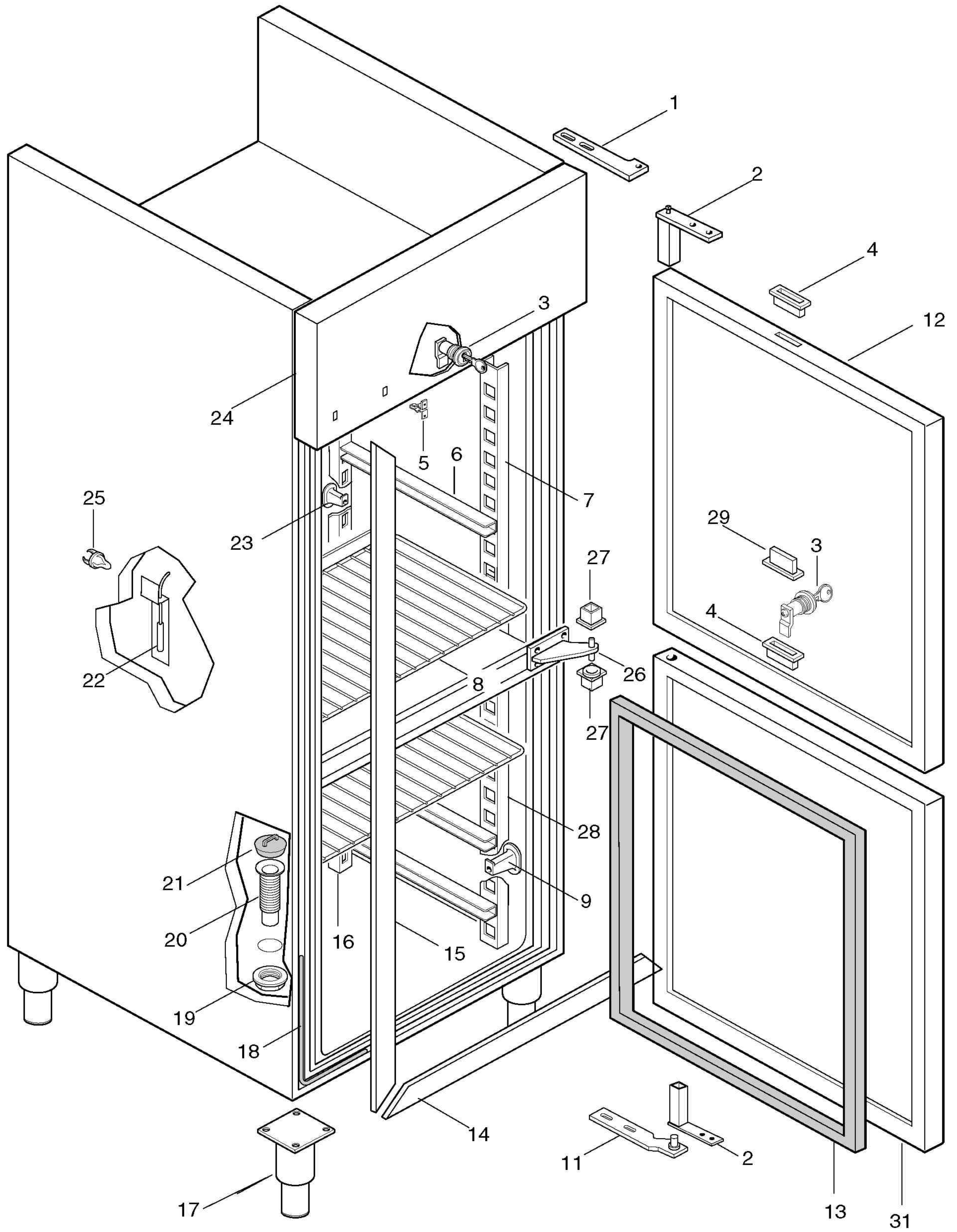
PNC	Model	Ref.	Page	Brand	
110608	ADN110	a	1, 3, 4	Z	
110650	AKN110UK	b	1, 3, 4	Z/UK	650 LT, AISI 430, with castors
110660	ASN110UK	c	1, 3, 4	Z/UK	550 LT, AISI 430, with castors
728070	E06N0D1C	e	1, 3, 4	A	
728290	E06N0D1C	e	1, 3, 4	McDonald's	
771608	RDNE061	g	1, 3, 4	P	
728159	C06RD1F	h	1, 3, 4	E	
728160	C06RD1FL	h	1, 3, 4	E	
728268	RSD36	h	1, 3, 4	E/UK	650 LT, AISI 304, with castors
728275	RS25	l	1, 3, 4	E/UK	550 LT, AISI 430, with castors
110609	ADN120	p	2, 3, 4	Z	
728071	E06N0D2C	q	2, 3, 4	A	
771609	RDNE062	r	2, 3, 4	P	
728162	C06RD2F	s	2, 3, 4	E	
110691	ADRN110	m	1, 3, 4	R	
728286	E06N0D1C	t	1, 3, 4	F	

Pag.	Index	Indice
1, 2	Cabinet and door	Armadio e porta
3	Cooling unit assembly	Gruppo refrigerante
4	Control panel	Pannello comandi
5-7	Spare parts list	Lista ricambi

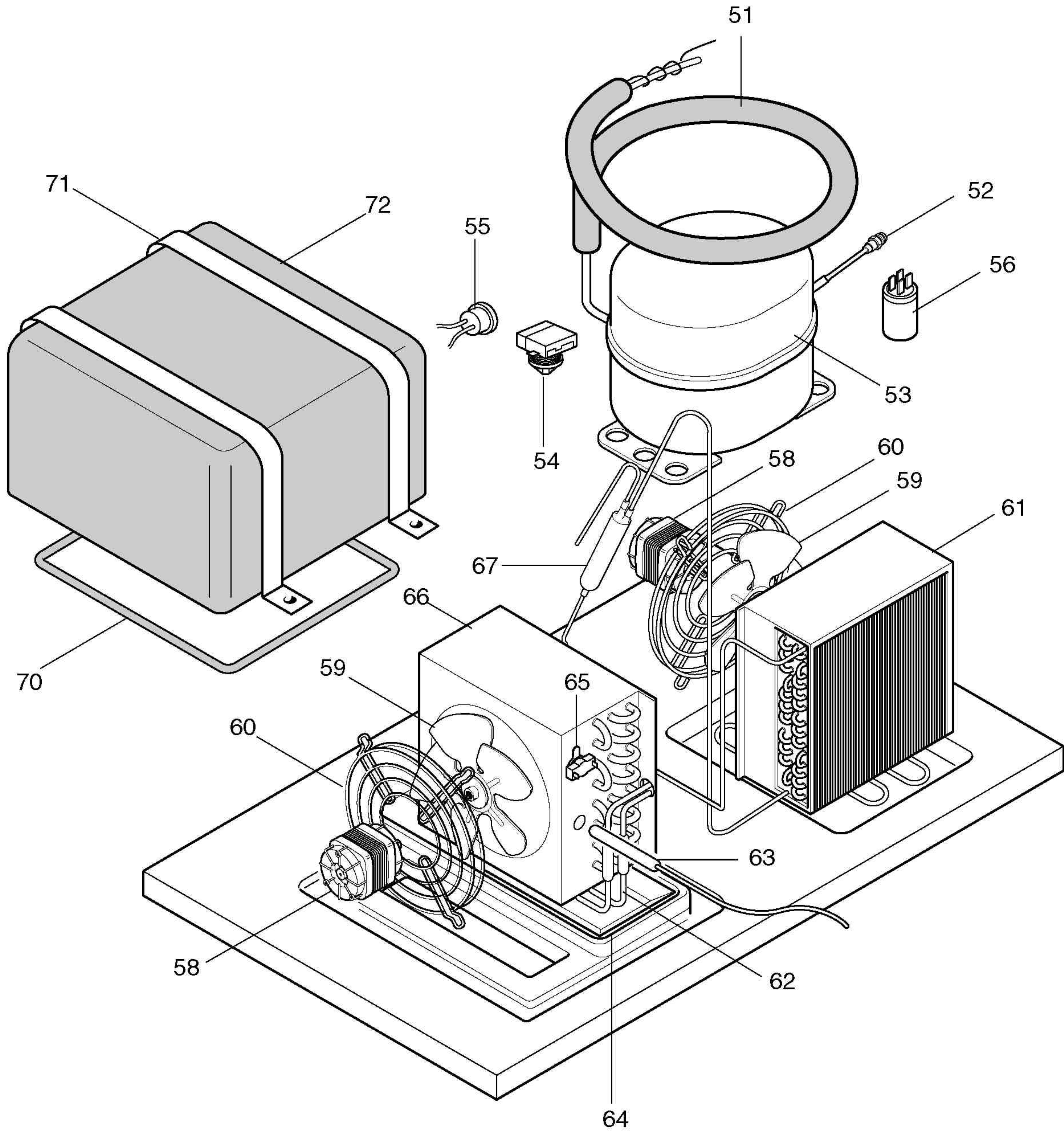
Brand: Z - P - E - A
Factory code: 9733



501001-1

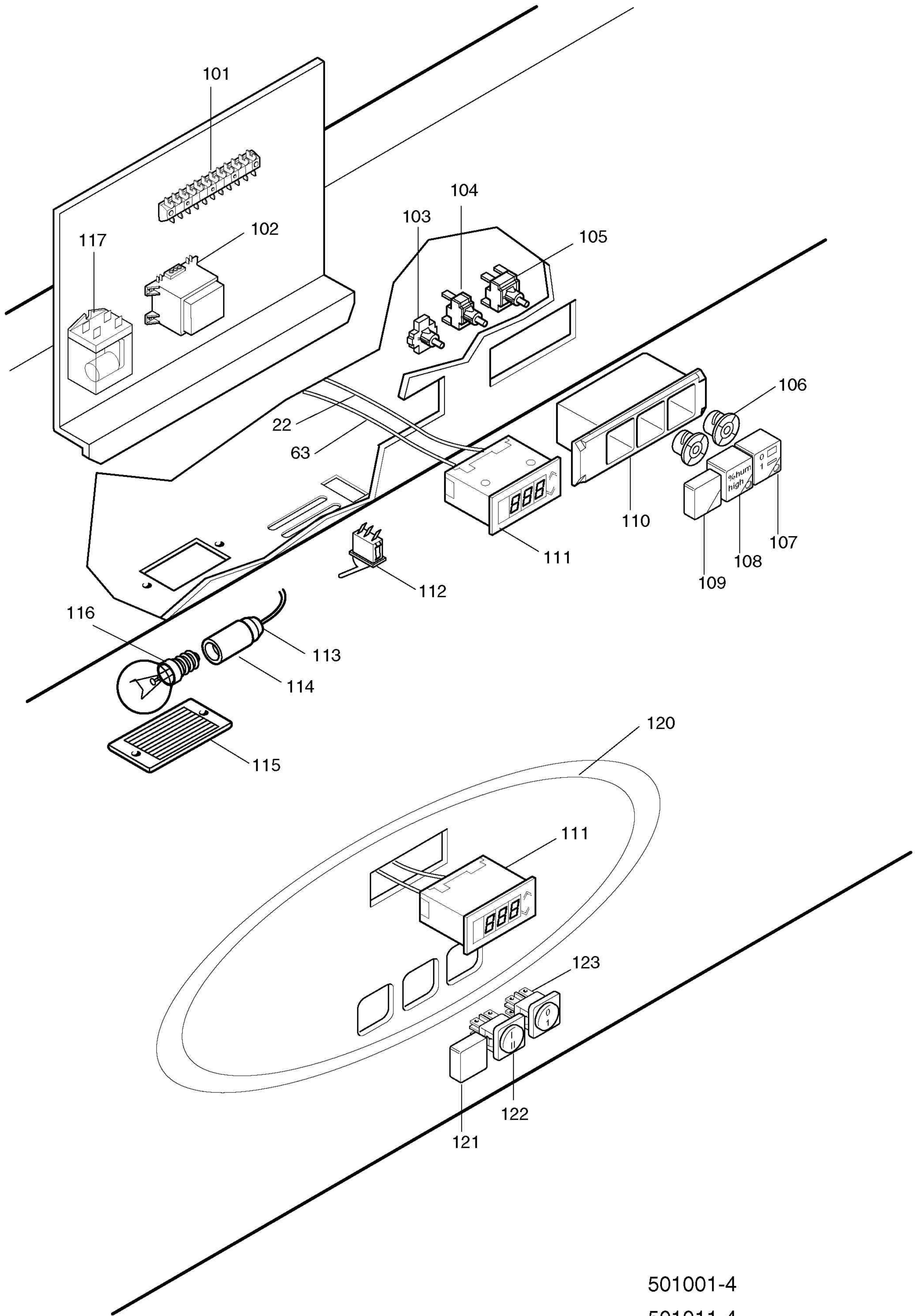


501001-2



* 99 = Cooling unit assembly
Gruppo refrigerante

1M Digitale 501001-3
501003-2



501001-4

501011-4