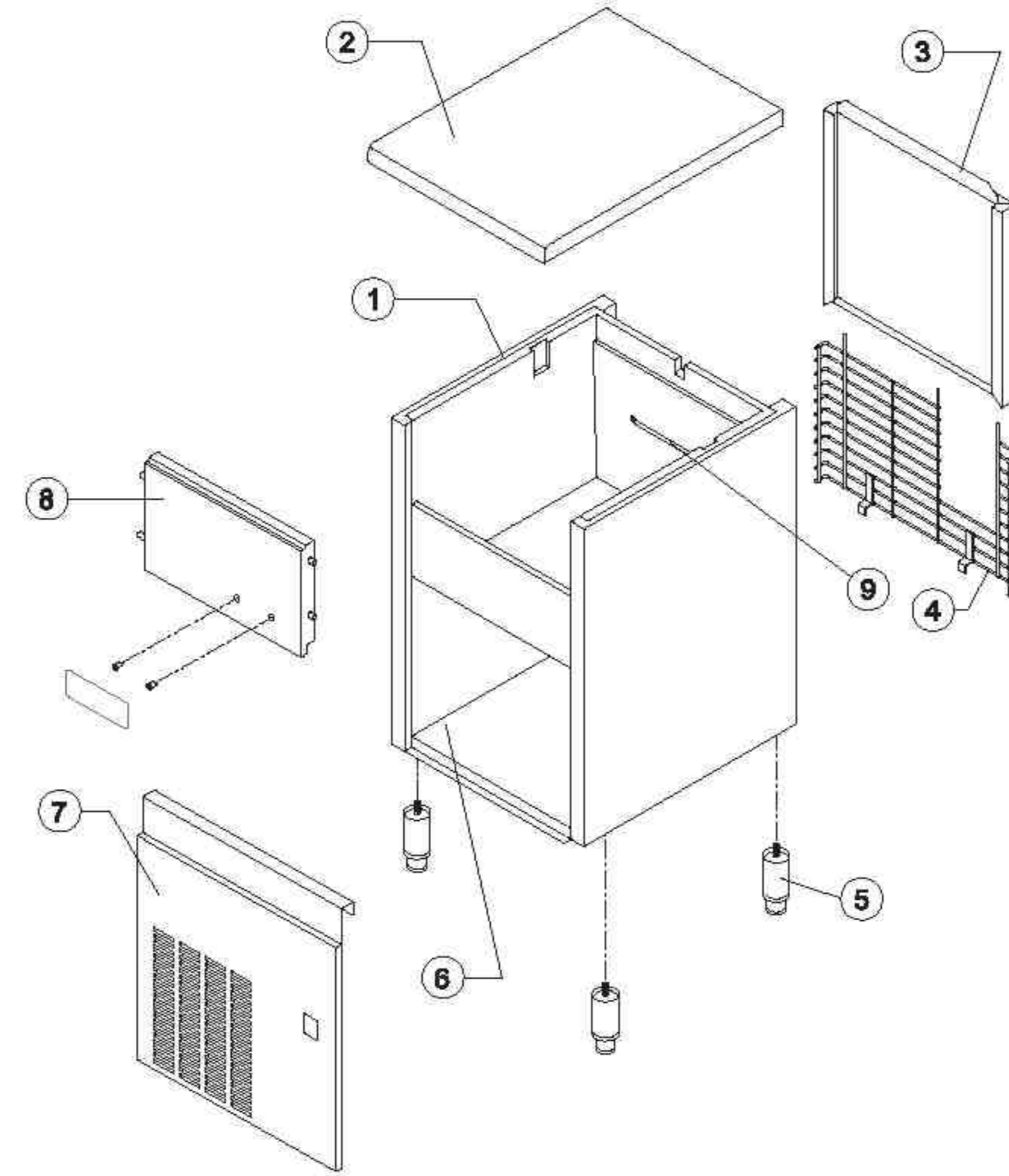




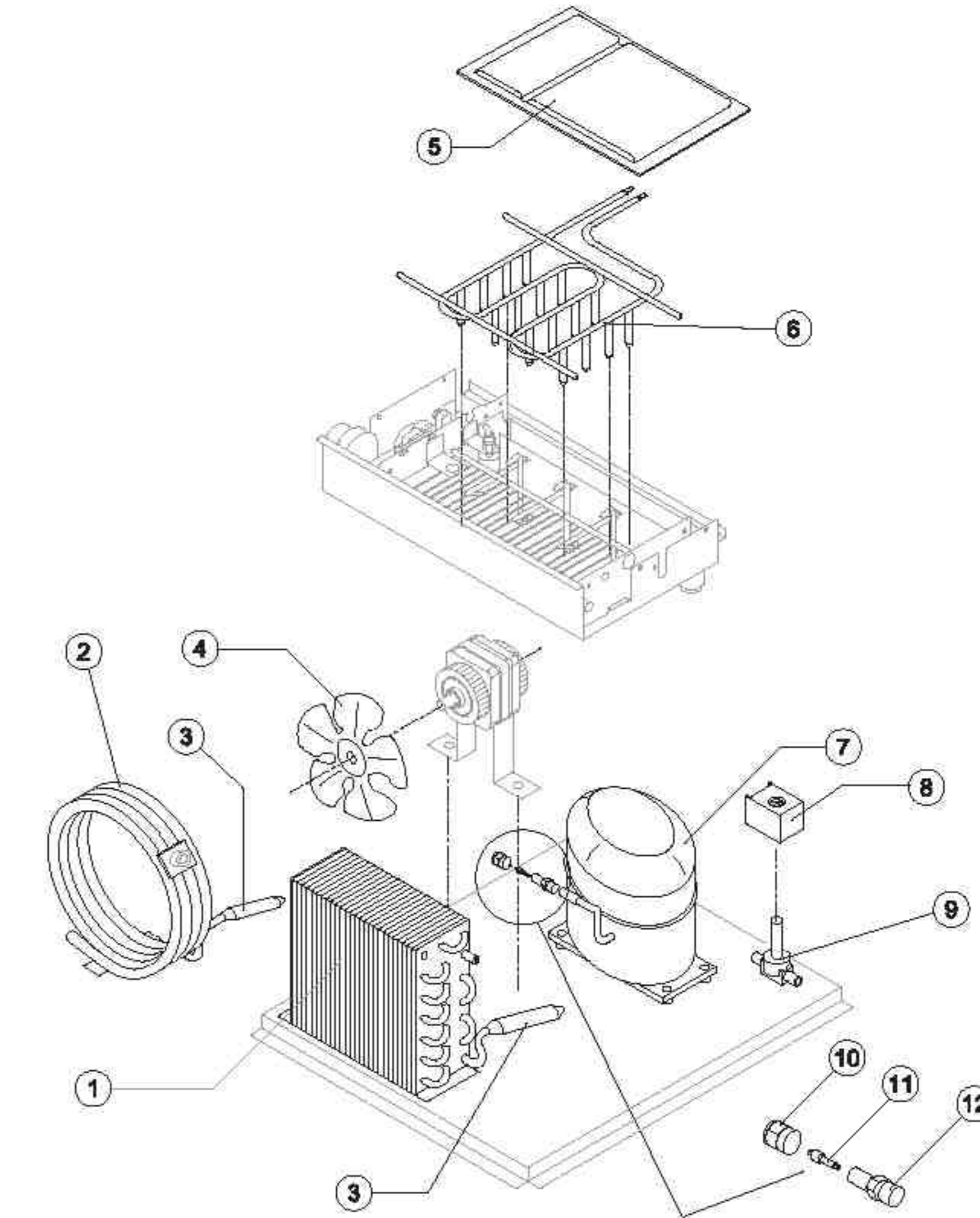
MODELLO/MODEL 730014 - 730016



INVOLUCRO/SHELL ASSY

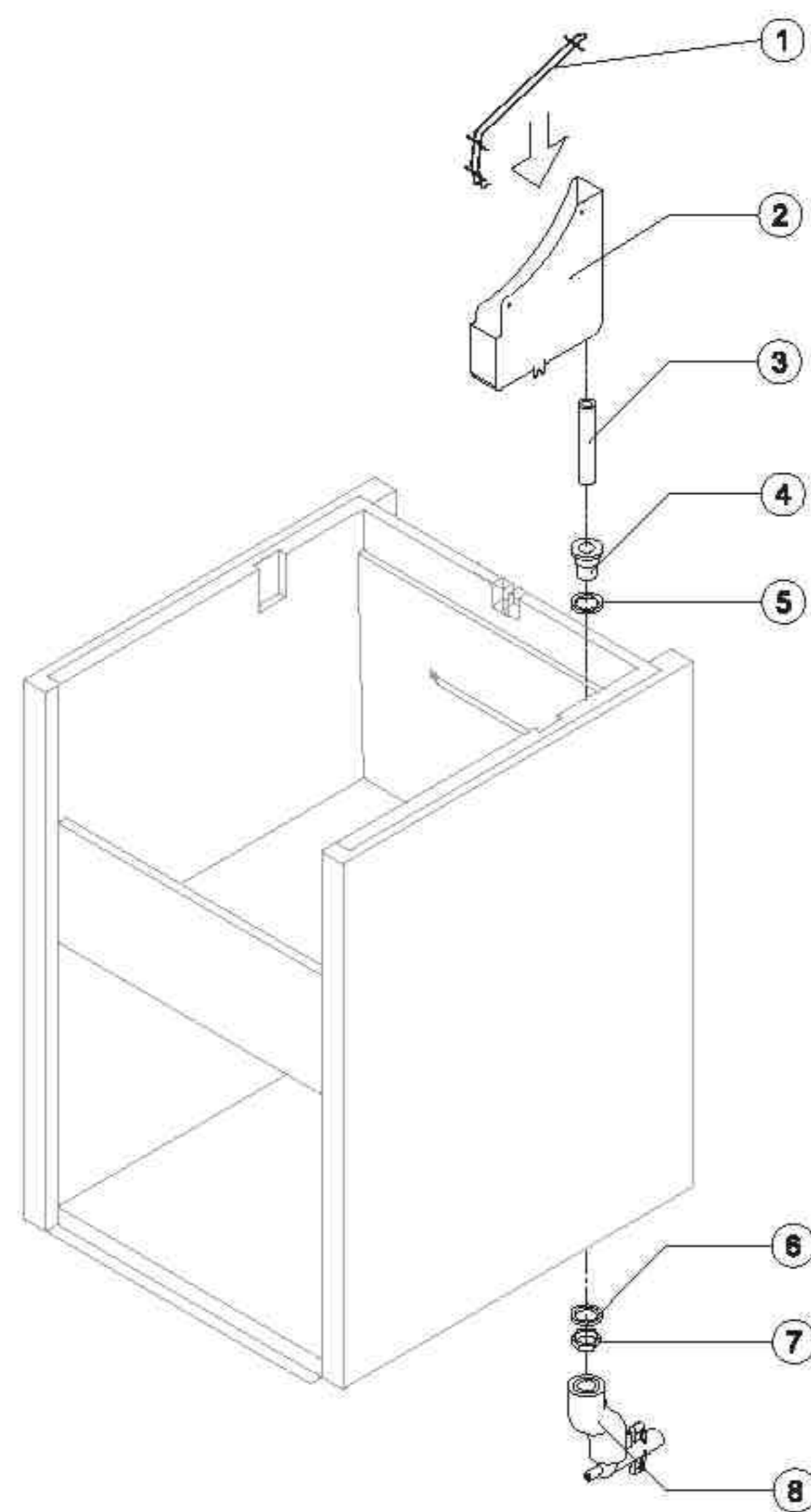


GRUPPO FRIGORIFERO/COOLING SYSTEM

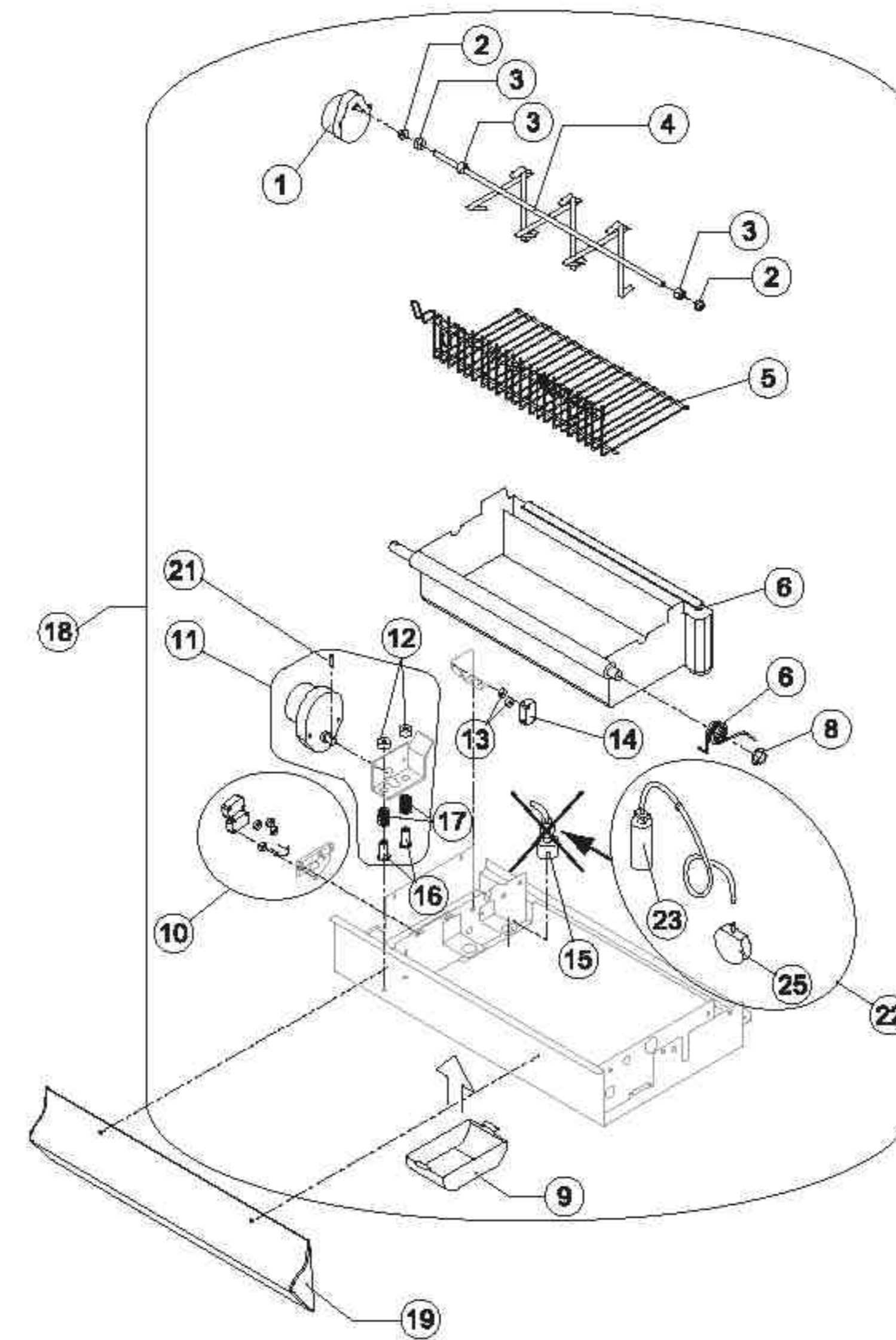


Rev. 4 - 28/04/2008

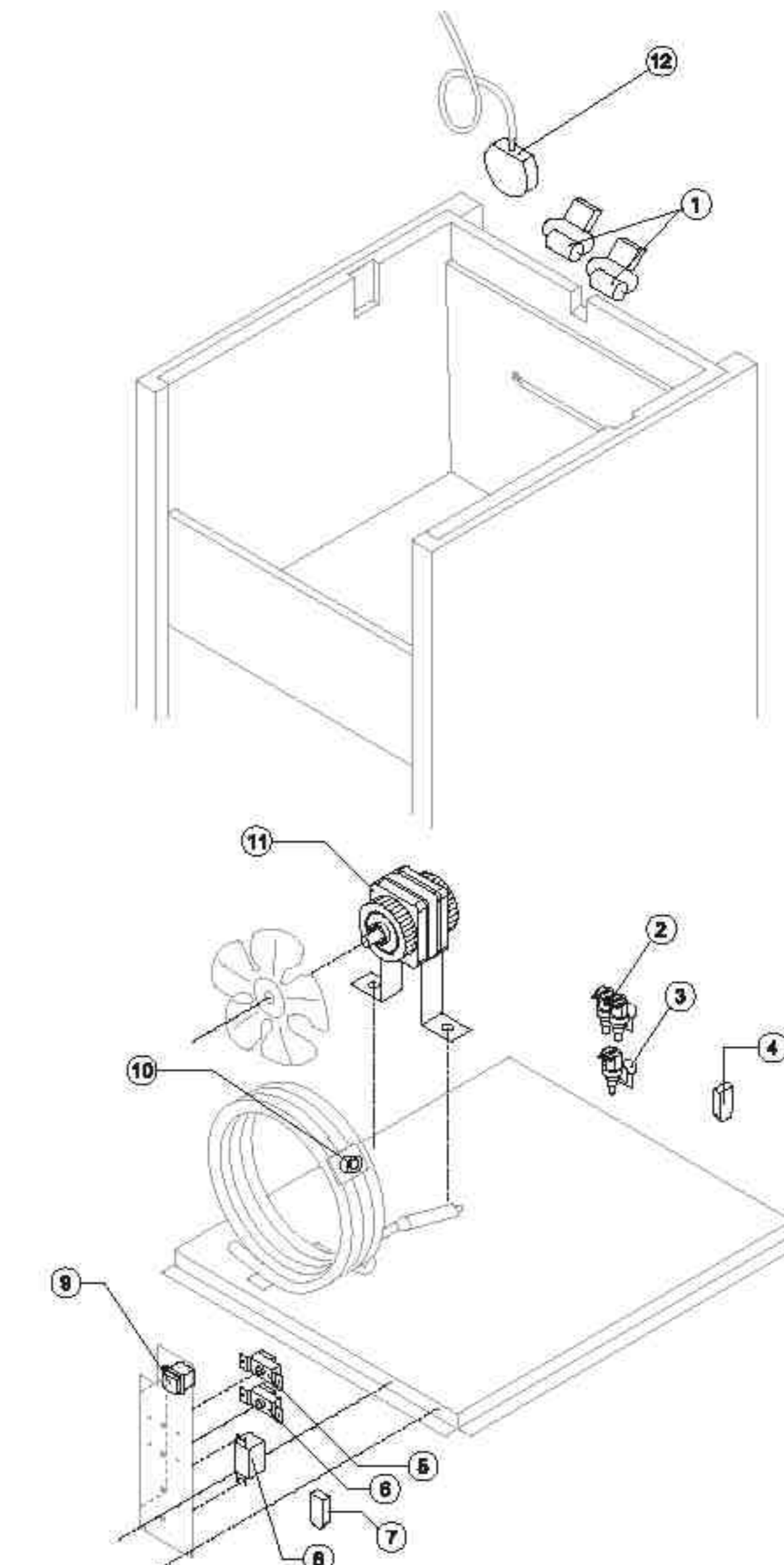
CIRCUITO IDRAULICO/HYDRAULIC CIRCUIT

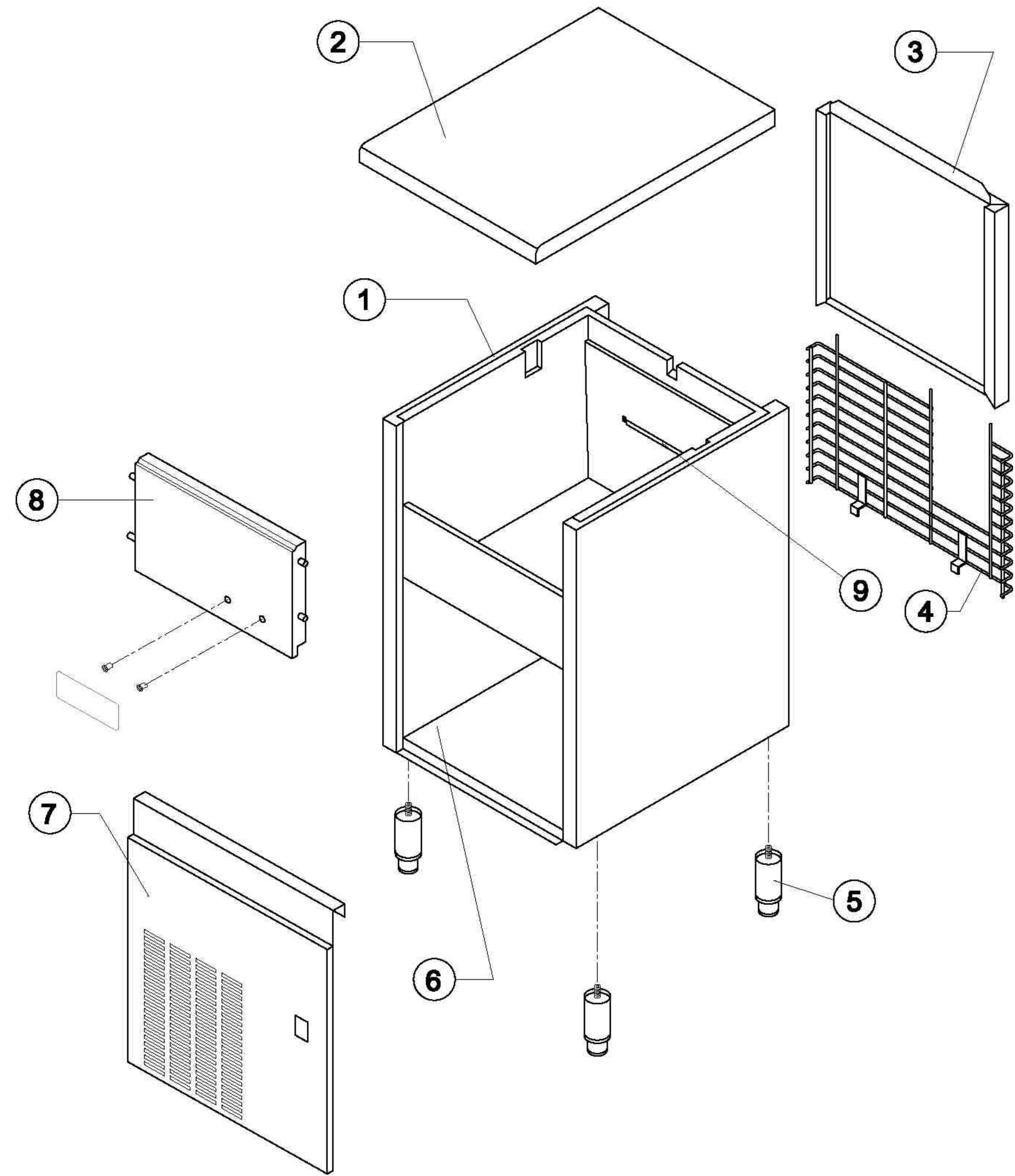


SUPPORTO EVAPORATORE/ EVAPORATOR SUPPORT

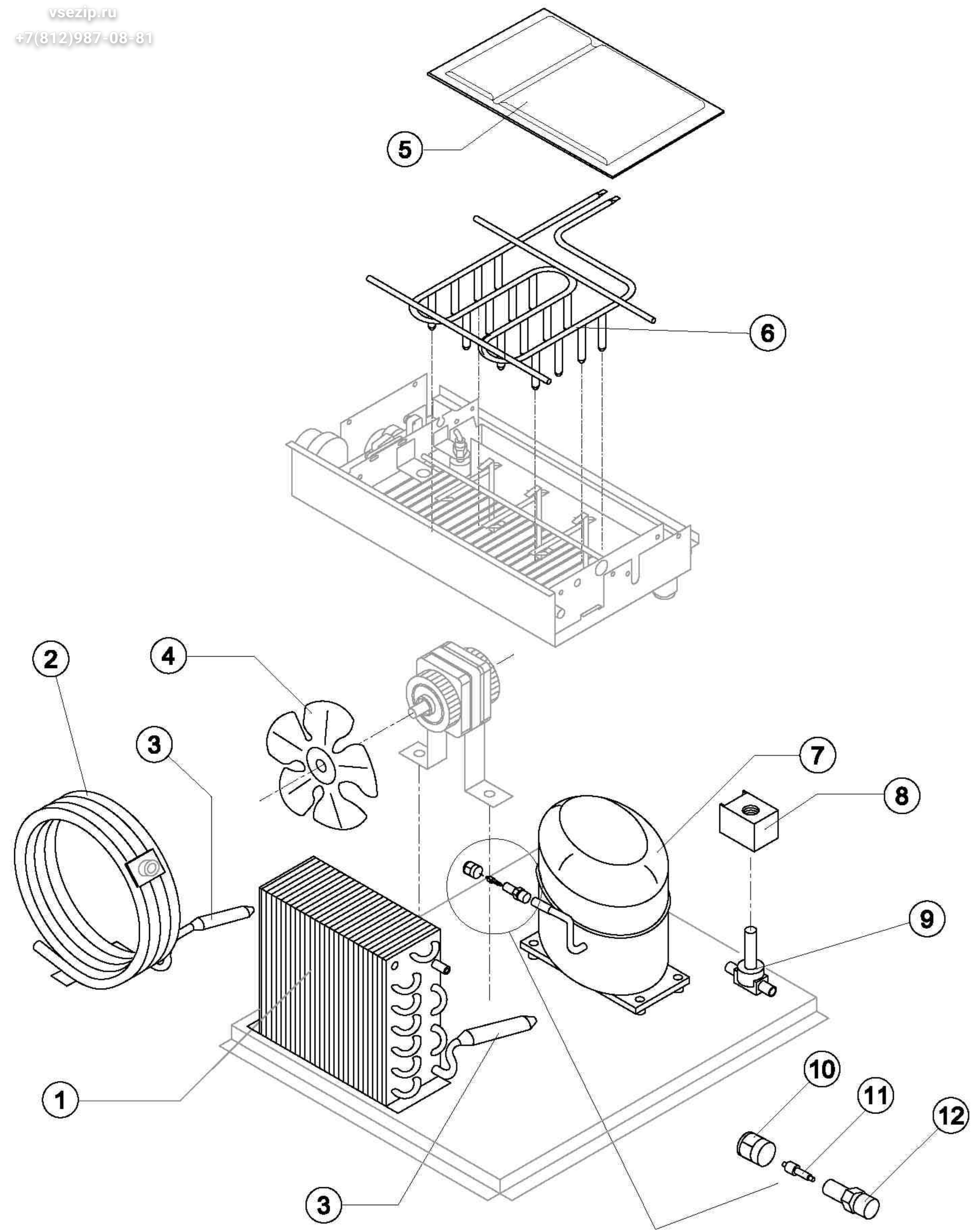


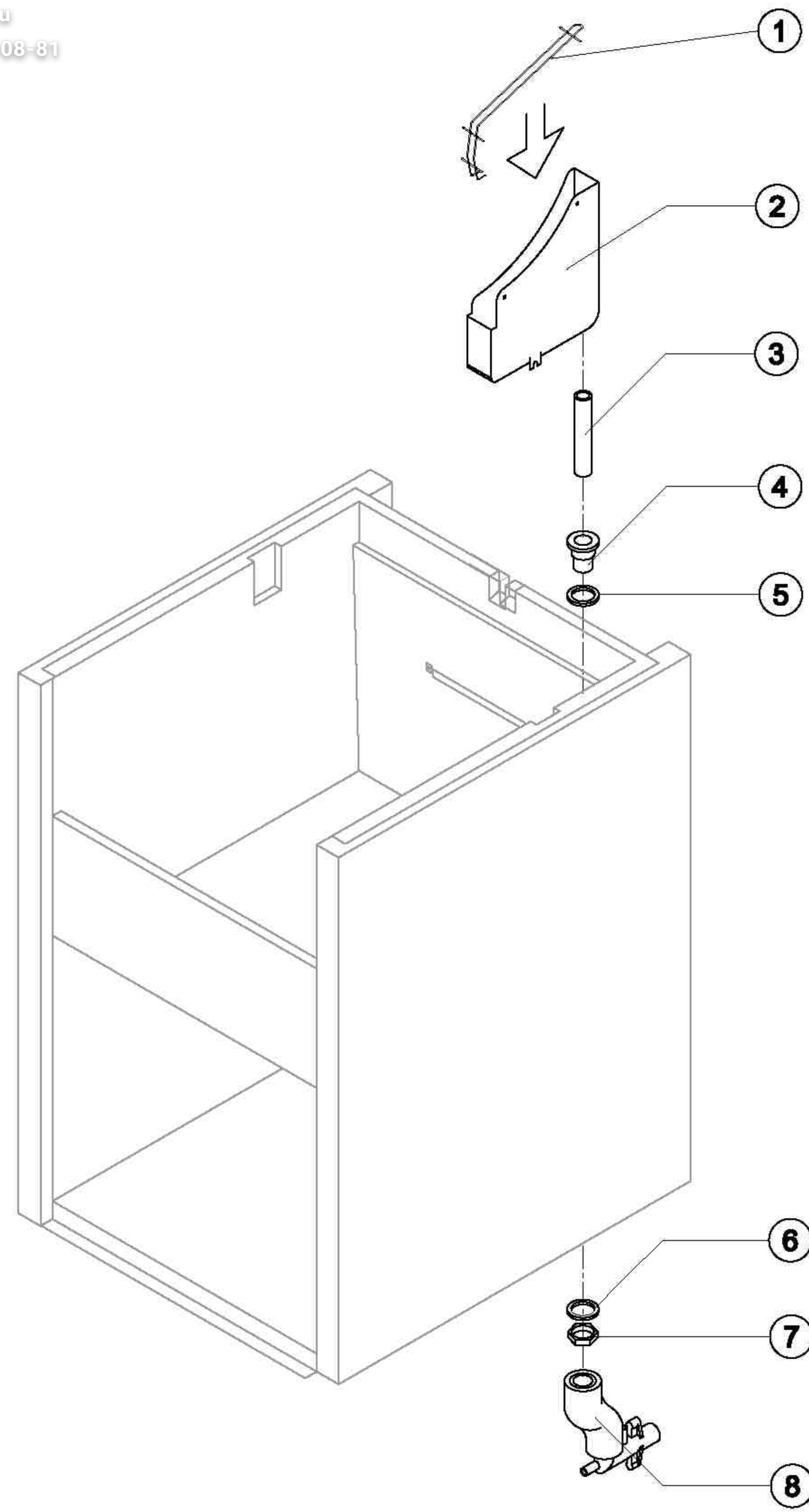
PARTI ELETTRICHE/ELECTRIC PARTS

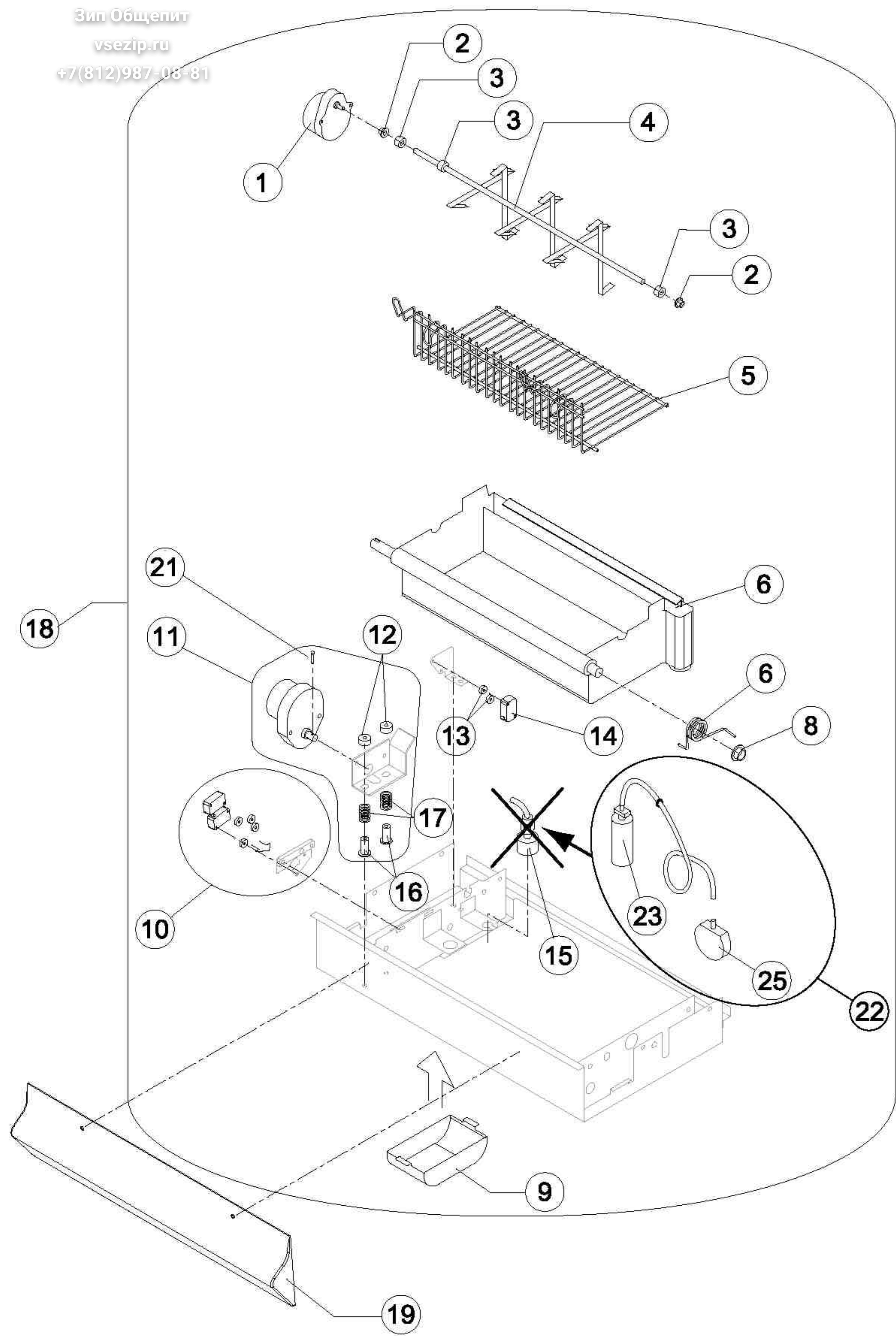


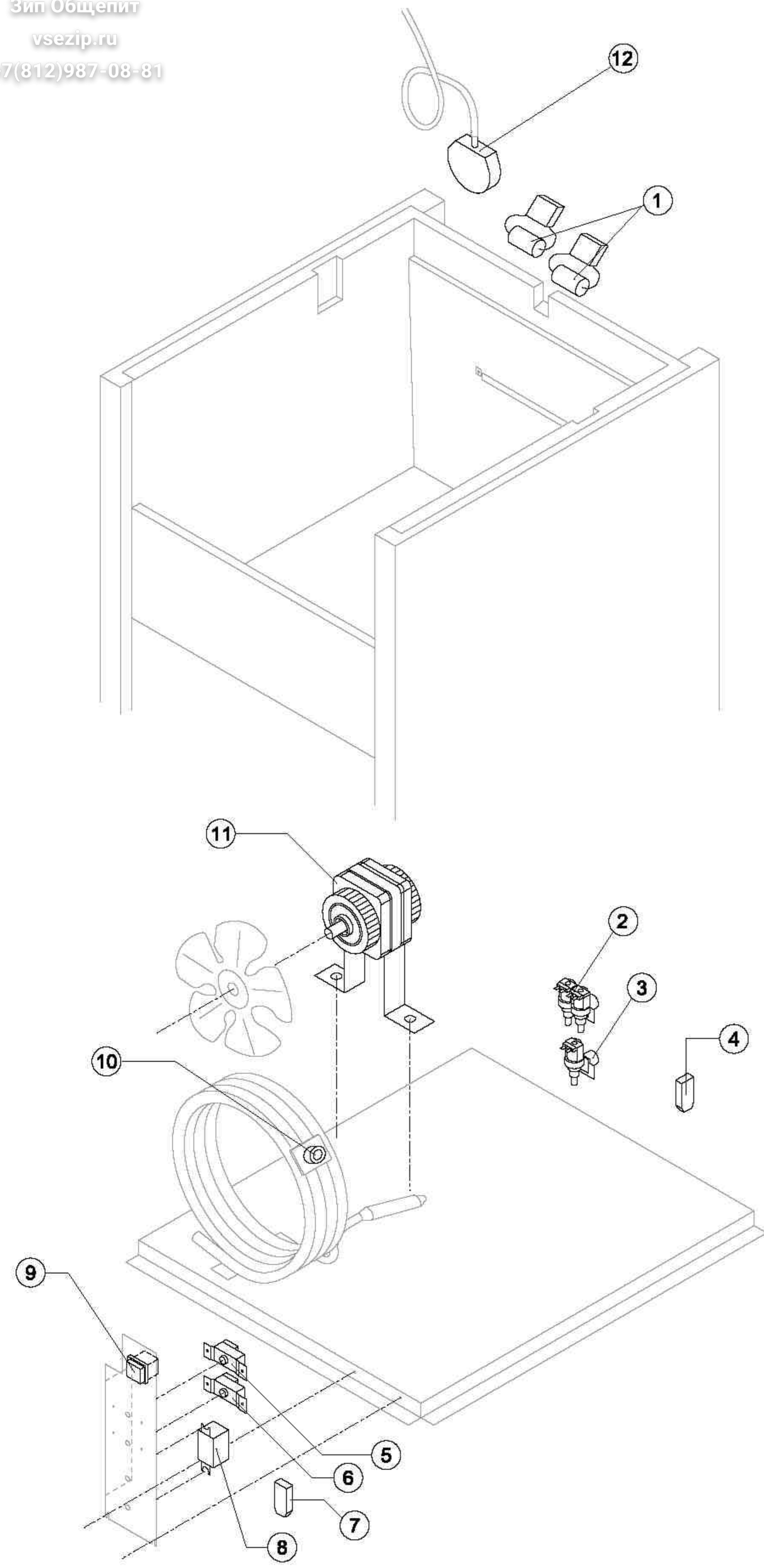


Rev. 4 - 28/04/2008







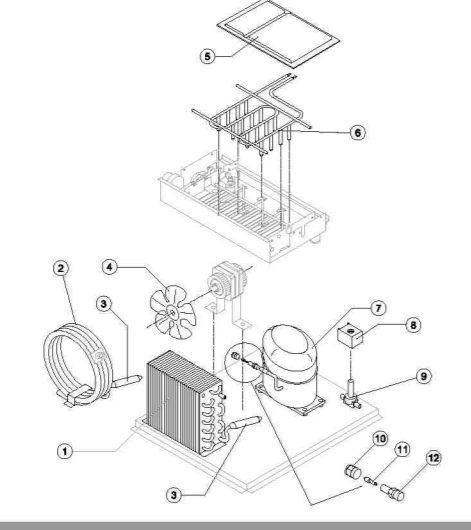
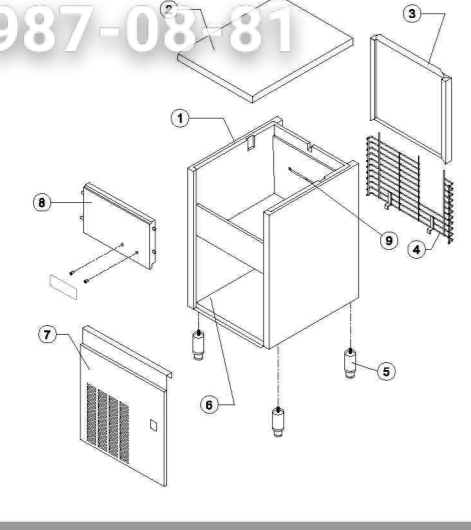




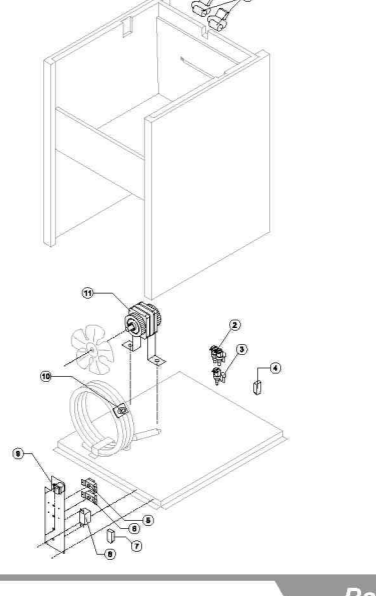
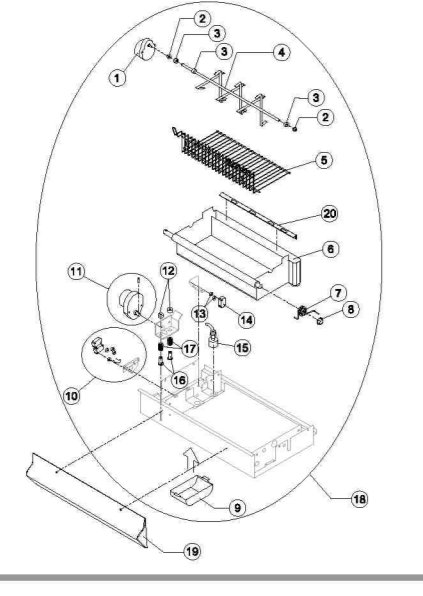
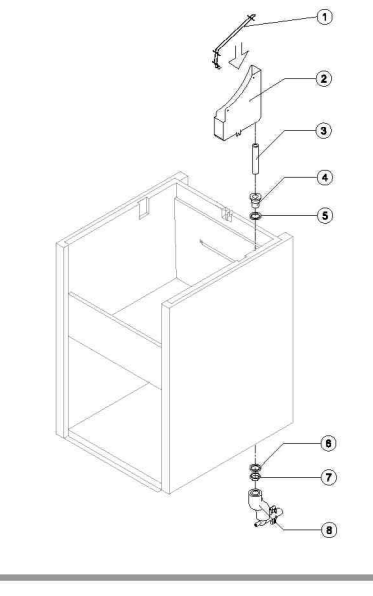
Зип Общепит

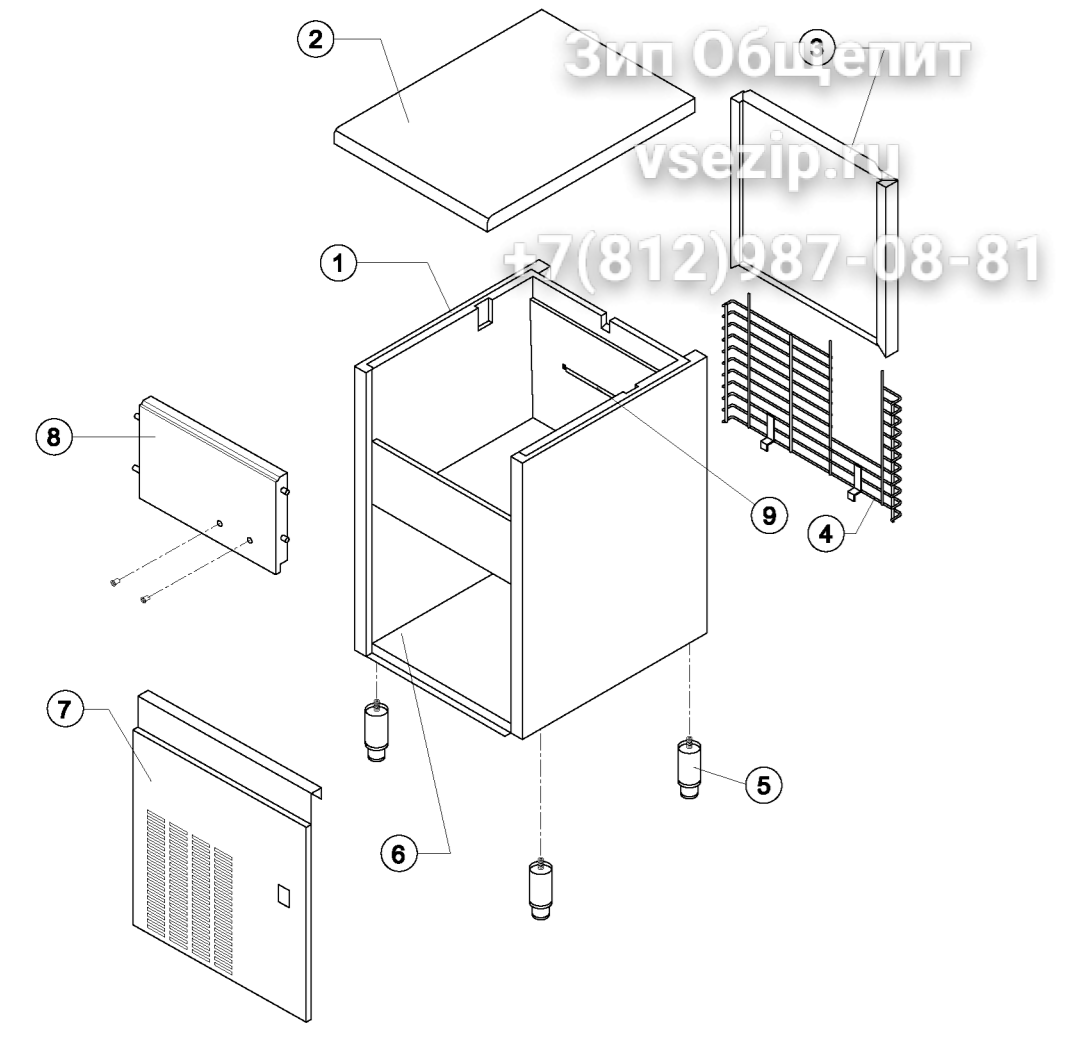
MODELLO/MODEL 730014 - 730016

vsezip.ru
+7(812)987-08-81

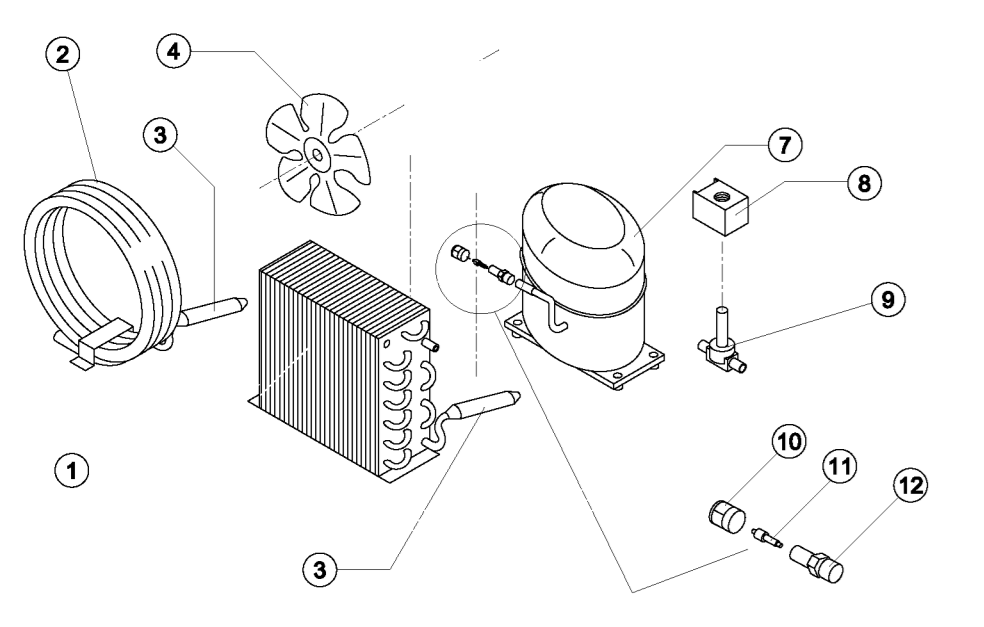


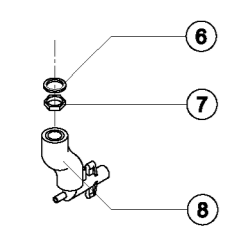
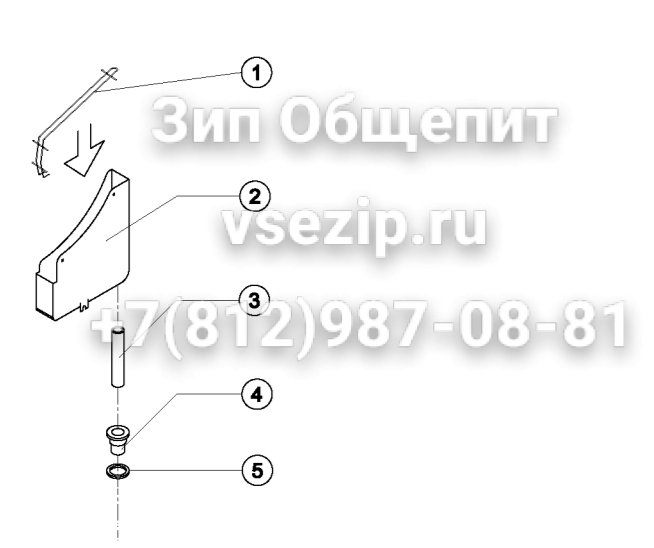
CIRCUITO IDRAULICO/HYDRAULIC CIRCUIT SUPPORTO EVAPORATORE/ EVAPORATOR SUPPORT PARTI ELETTRICHE/ELECTRIC PARTS

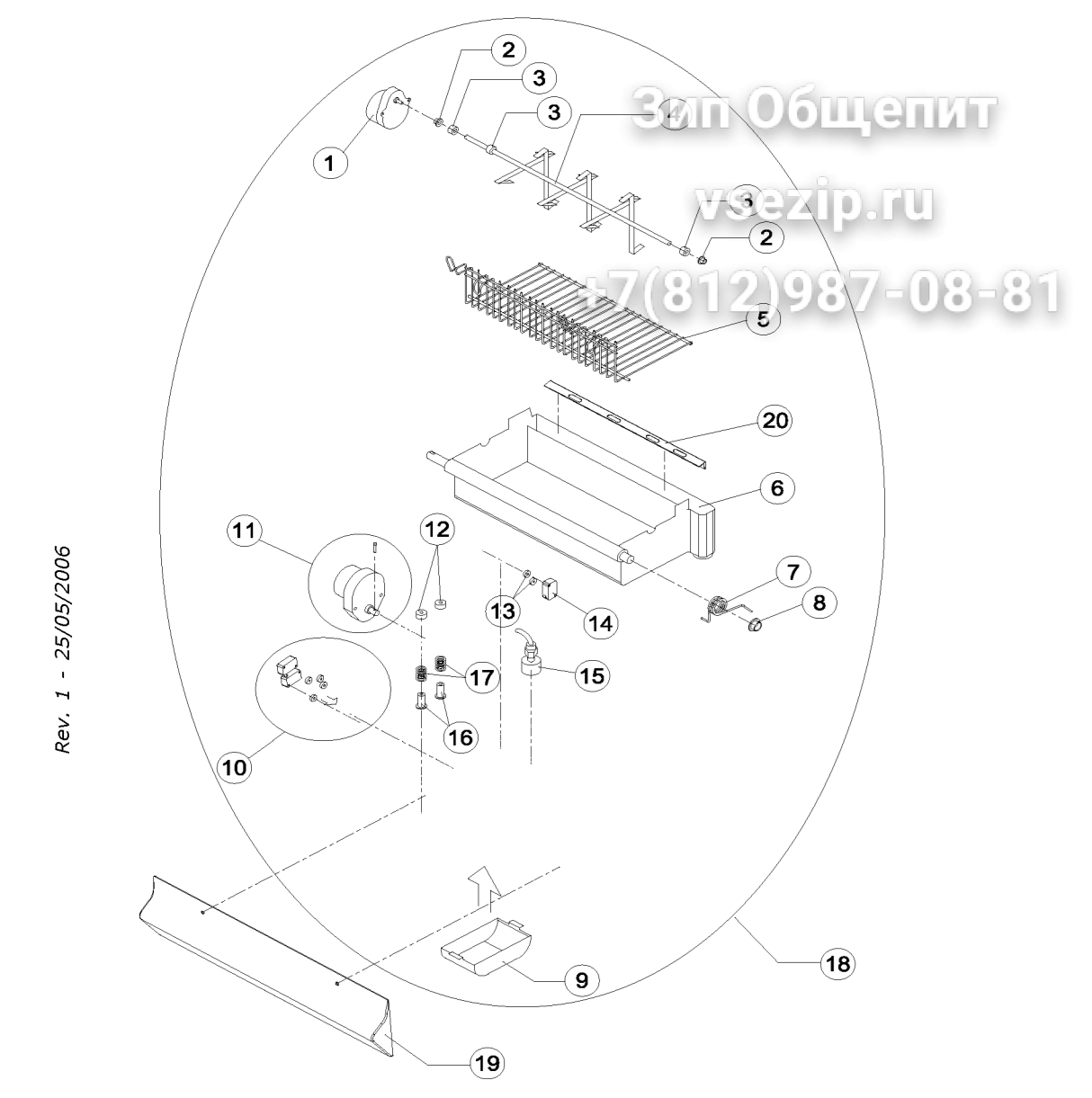


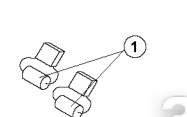


Rev. 1. 2005/2006









Зип Общепит

vsezip.ru

+7(812)987-08-81

Rev. 1 - 25/05/2006

