

Зип Общепит

vsezip.ru
+7(812)987-08-81
SCOTSMAN®

**ELECTRONIC
FLAKERS**

AF 100 - 200

R 134 A VERSIONS

**SPARE PARTS LIST
CATALOGO RICAMBI
CATALOGUE PIÈCES DÉTACHÉES
ERSATZTEILENKATALOG**

Зип Общепит

vsezip.ru

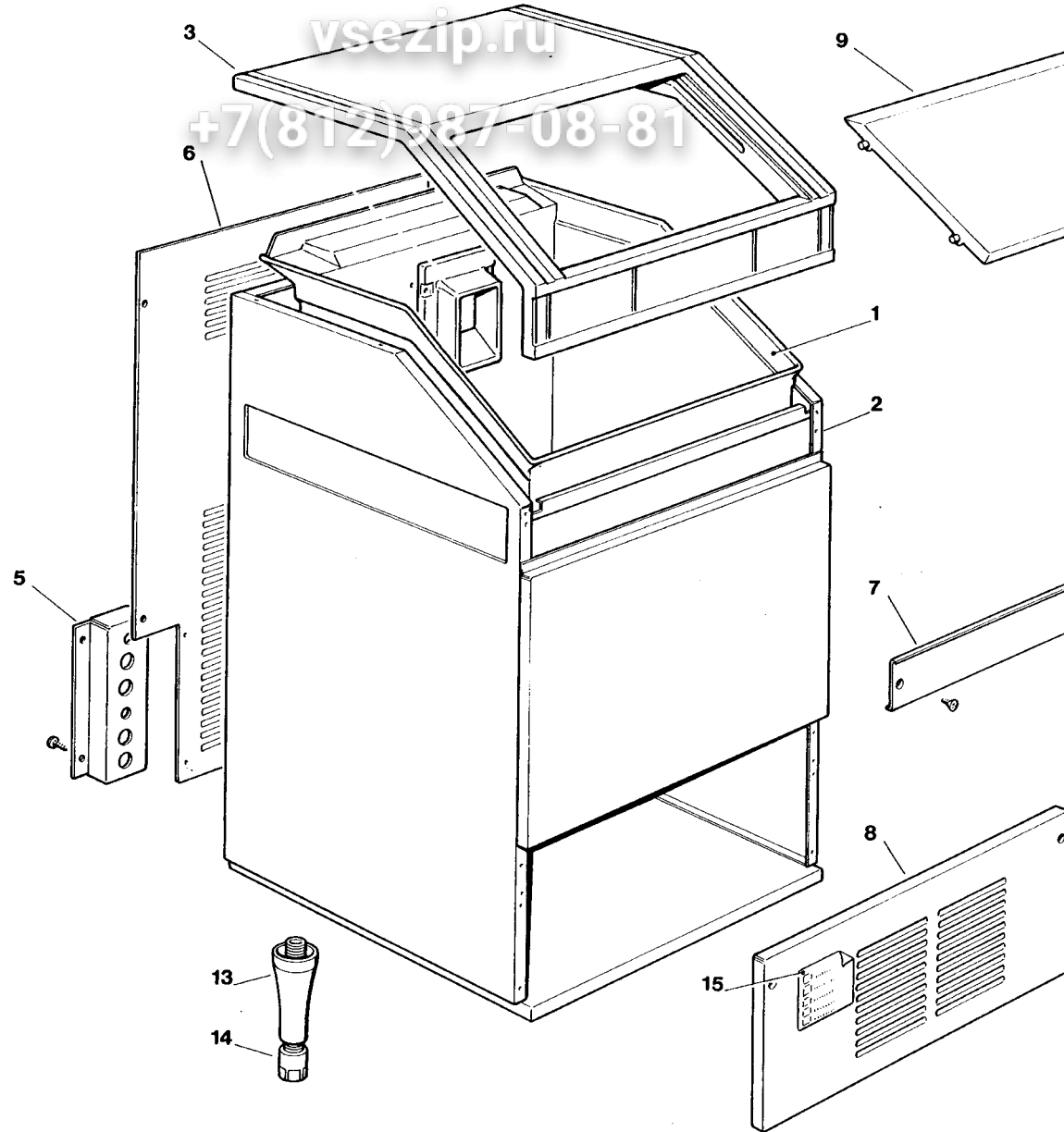
+7(812)987-08-81

PAGE PAGINA PAGE SEITE	TABLE OF CONTENTS	INDICE	TABLE DES MATIÈRES
1	TABLE OF CONTENTS	INDICE	TABLE DES MATIÈRES
2-3	AF 100 - AF 200 - UNIT PANELS	AF 100 - AF 200 - ASSIEME MOBILE	AF 100 - AF 200 - ENS. CARROSSERIE
4-5	REFRIGERANT SYSTEM AIR COOLED	SISTEMA REFRIGERANTE RAFFR. AD ARIA	CIRCUIT FRIGORIFIQUE REFROID. A AIR
6-7	AF 200 - REFRIGERANT SYSTEM WATER COOLED	AF 200 - SISTEMA REFRIGERANTE RAFFR. AD ACQUA	AF 200 - CIRCUIT FRIGORIFIQUE REFROID. A EAU
8-9	WATER SYSTEM AND INSULATIONS	CIRCUITO IDRAULICO ED ISOLAMENTI	CIRCUIT HYDRAULIQUE ET INSULATIONS
10-11	FREEZER AND GEAR REDUCER ASSY	ASSIEME FREEZER E RIDUTTORE	ENS. FREEZER ET MOTOREDUCTEUR
12-13	P.C. BOARD AND SENSORS ASSY	SCHEDA ELETTRONICA E SENSORI	ENS. CARTE ELECTRONIQUE ET DETECTEURS
14	COMPRESSOR AND ELECTRIC COMPONENT CHARTS	TABELLA COMPRESSORI E COMPONENTI ELETTRICI	LISTE DES COMPRESSEURS ET COMPOSANTS ELECTRIQUE

Зип-Общепит

vsezip.ru

+7(812)987-08-81



Зип-Общепит

AF 100 - AF 200 - UNIT PANELS - ASSIEME MOBILE - ENS. CARROSSERIE - MACH

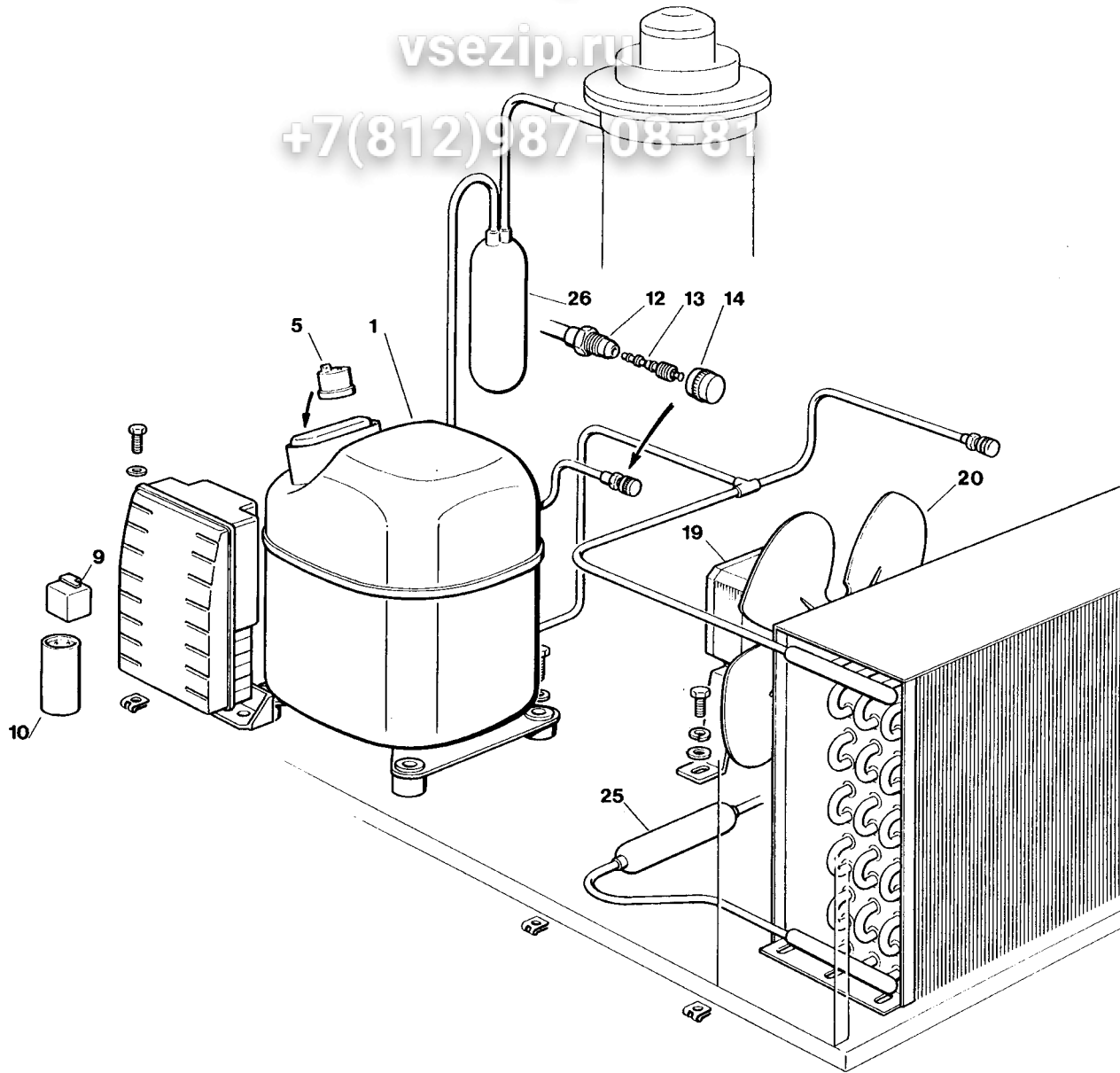
vsezip.ru

ITEM NO POS NO REP. NO REF. NO	PART NO CODICE REFERENCE STUECK NR	DESCRIPTION	DESCRIZIONE	DESIGNATION
1	660649 00	STORAGE BIN	CONTENITORE GHACCIO	CABINE STOCKAGE
2	785087 02 R 721755 00	UNIT FRAME FRONT CENTER PANEL	ASSIEME TELAIO PANNELLO FRONTALE CENTRALE	ENSAMBLE CHASSIS PANNEAU AVANT CENTRAL
3	660490 06	PLASTIC TOP PANEL	PANNELLO SUPERIORE IN PLASTICA	PANNEAU SUPERIEUR EN P
5	702180 00	METAL BRACKET FOR FITTINGS	SUPPORTO ATTACCHI	SUPPORT DE RACCORDS
6	702280 00	REAR PANEL	PANNELLO POSTERIORE	PANNEAU ARRIERE
7	721437 02	S.S. FRONT STRIPE	BANDA FRONTALE ACC.INOX	BANDE ENTRETOISE ACIER
8	781409 01	FRONT PANEL	PANNELLO FRONTALE	PANNEAU AVANT
9	792011 02 R	BIN DOOR ASSY	ASSIEME SPORTELLO	ENSAMBLE PORTE CABINE
10	660286 00	DOOR RUNNER - BUSHING	BUSSOLA DI SCORRIMENTO	BAGUE DE COULISSAGE PC
13-14	650670 00	LEG + LEG LEVELLER KIT	KIT PIEDINO + VITE DI REGOLAZIONE	KIT PIED + VIS DE REGLAGE D
15	650624 13	LABEL	ADESIVO SEGNALETICO	ETIQUETTE

Зип-Общепит

vsezip.ru

+7(812)987-08-81



AF 100 - AF 200 - REFRIGERANT SYSTEM AIR COOLED - SISTEMA REFRIGERANTE

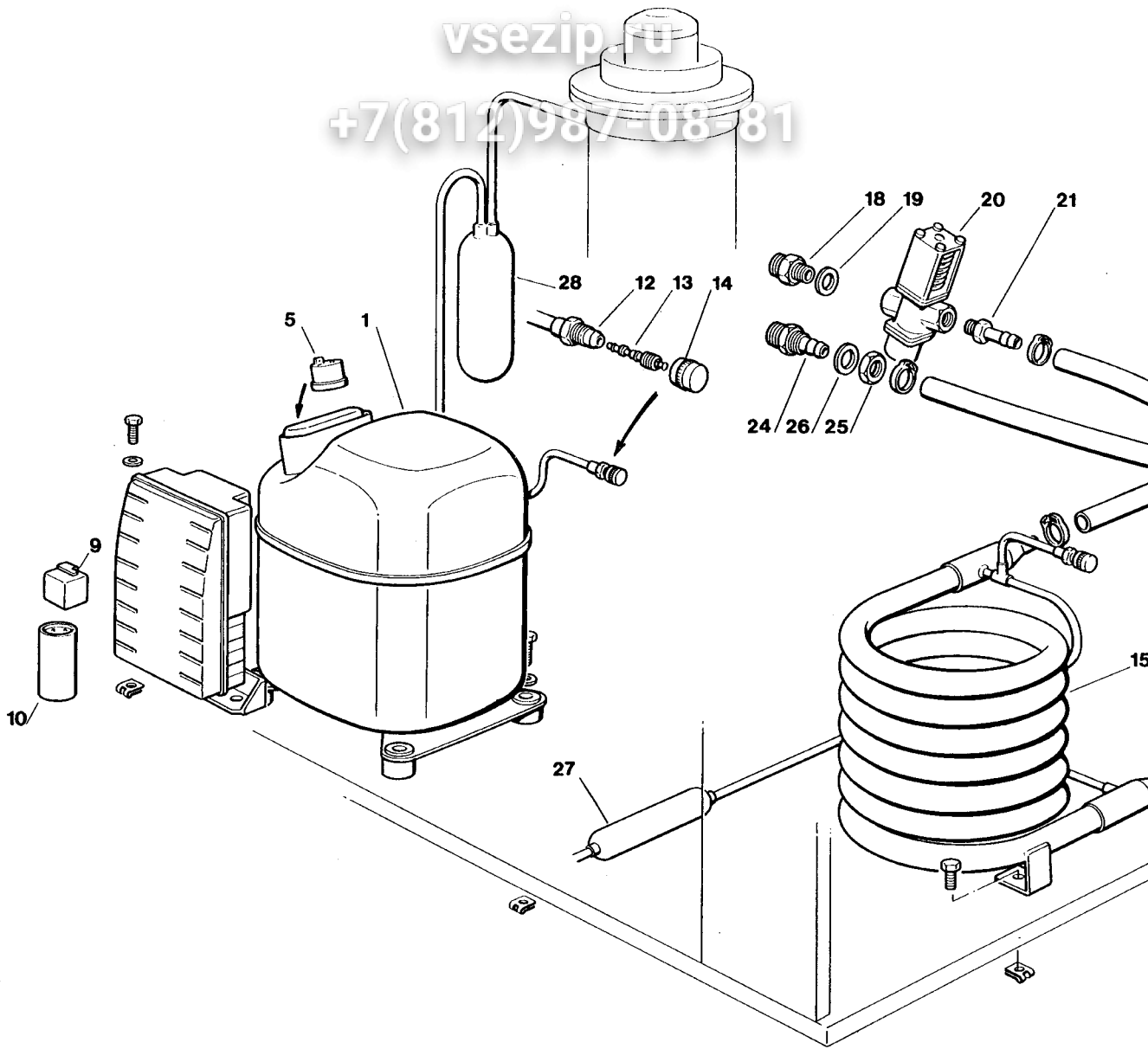
CIRCUIT FRIGORIFIQUE REFRROID. PAR AIR - LUFTGEKÜHLTE GEFRIERSYS

ITEM NO POS NO REP. NO REF. NO	PART NO - CODICE REFERENCE - STUECK NR		DESCRIPTION	DESCRIZIONE	DESIGNATION
	AF 100	AF 200			
1	670100 00 670101 01 670101 05	670100 01 670101 02 670101 06	COMPRESSOR ASSY - 230/50 COMPRESSOR ASSY - 230/60 COMPRESSOR ASSY - 115/60	ASSIEME COMPRESSORE - 230/50 ASSIEME COMPRESSORE - 230/60 ASSIEME COMPRESSORE - 115/60	ENSAMBLE COMPRESSEUR - ENSAMBLE COMPRESSEUR - ENSAMBLE COMPRESSEUR -
5	620058 69 620058 77 620058 43	620058 67 620058 80 620058 68	PROTECTOR - 230/50 PROTECTOR - 230/60 PROTECTOR - 115/60	PROTETTORE - 230/50 PROTETTORE - 230/60 PROTETTORE - 115/60	PROTECTEUR - 230/50 PROTECTEUR - 230/60 PROTECTEUR - 115/60
9	620057 31 620057 42 620057 58	620057 56 620057 49 620057 59	START RELAY - 230/50 START RELAY - 230/60 START RELAY - 115/60	RELE DI AVVIAMENTO - 230/50 RELE DI AVVIAMENTO - 230/60 RELE DI AVVIAMENTO - 115/60	RELAIS DE DEMARRAGE - 2 RELAIS DE DEMARRAGE - 2 RELAIS DE DEMARRAGE - 1
10	620167 29 620167 51 620167 55	620167 29 620167 49 620167 55	START CAPACITOR - 230/50 START CAPACITOR - 230/60 START CAPACITOR - 115/60	CAPACITA D'AVVIAMENTO - 230/50 CAPACITA D'AVVIAMENTO - 230/60 CAPACITA D'AVVIAMENTO - 115/60	CAPACITÉ DE DEMARRAGE CAPACITÉ DE DEMARRAGE CAPACITÉ DE DEMARRAGE
12	650109 00	650109 00	VALVE BODY	CORPO VALVOLA	CORPS DE VANNE
13	670012 00	670012 00	VALVE PISTON	PISTONCINO VALVOLA	PISTON
14	650106 00	650106 00	VALVE CAP	CAPPUCCIO VALVOLA	CAPUCHON DE VANNE
15	620276 02	620439 00	AIR COOLED CONDENSER	CONDENSATORE AD ARIA	CONDENSEUR A AIR
19	620419 02 620419 03	620419 02 620419 03	FAN MOTOR - 230 FAN MOTOR - 115	MOTORE VENTILATORE - 230 MOTORE VENTILATORE - 115	MOTEUR VENTILATEUR - 23 MOTEUR VENTILATEUR - 11
20	620419 32	620419 33	FAN BLADE	VENTOLA	HELICE
25	630003 05	630003 05	DRIER	FILTRO DEUMIDIFICATORE	FILTRE DESHYDRATEUR
26	784469 01	784469 13	SUCTION LINE/ACCUMULATOR	ACCUMUL. E LINEA ASPIRAZIONE	ENS. ASPIRATION/ACCUMUL

Зип Ощепит

vsezip.ru

+7(812)987-08-81



Зип-Общепит

vsezip.ru

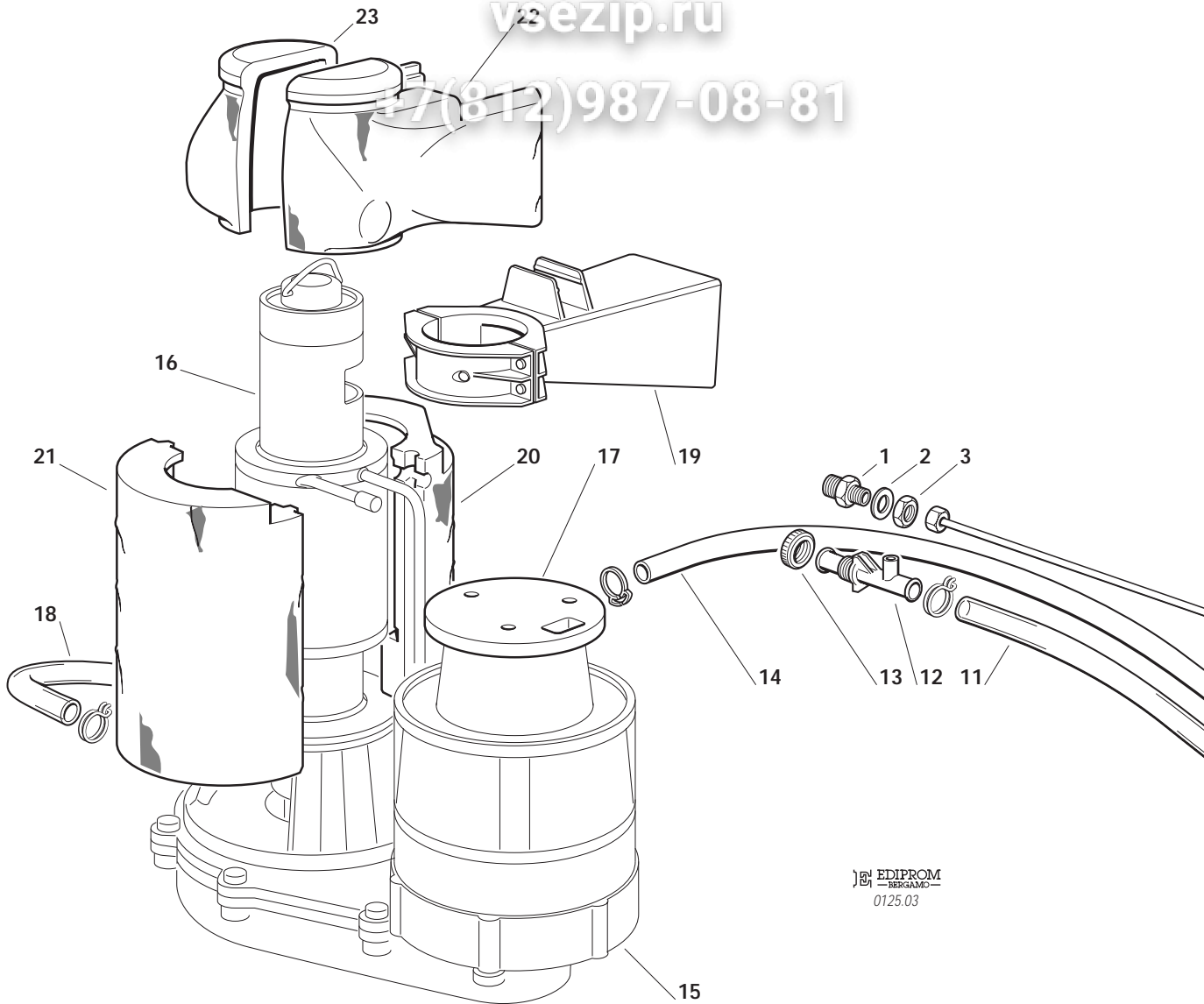
+7(812)987-08-81

AF 200 - REFRIGERANT SYSTEM WATER COOLED - SISTEMA REFRIGERANTE RAFFREDDAMENTO CIRCUIT FRIGORIFIQUE REFROID. PAR EAU - WASSERGEKÜHLTE GEFRIERSYSTEM				
ITEM NO POS NO REP. NO REF. NO	PART NO CODICE REFERENCE STUECK NR	DESCRIPTION	DESCRIZIONE	DESIGNATION
1	670100 01 670101 02 670101 06	COMPRESSOR ASSY - 230/50 COMPRESSOR ASSY - 230/60 COMPRESSOR ASSY - 115/60	ASSIEME COMPRESSORE - 230/50 ASSIEME COMPRESSORE - 230/60 ASSIEME COMPRESSORE - 115/60	ENSAMBLE COMPRESSEUR - 230/50 ENSAMBLE COMPRESSEUR - 230/60 ENSAMBLE COMPRESSEUR - 115/60
5	620058 67 620058 80 620058 68	PROTECTOR - 230/50 PROTECTOR - 230/60 PROTECTOR - 115/60	PROTETTORE - 230/50 PROTETTORE - 230/60 PROTETTORE - 115/60	PROTECTEUR - 230/50 PROTECTEUR - 230/60 PROTECTEUR - 115/60
9	620057 56 620057 49 620057 59	START RELAY - 230/50 START RELAY - 230/60 START RELAY - 115/60	RELE DI AVVIAMENTO - 230/50 RELE DI AVVIAMENTO - 230/60 RELE DI AVVIAMENTO - 115/60	RELAIS DE DEMARRAGE - 230/50 RELAIS DE DEMARRAGE - 230/60 RELAIS DE DEMARRAGE - 115/60
10	620167 29 620167 49 620167 55	START CAPACITOR - 230/50 START CAPACITOR - 230/60 START CAPACITOR - 115/60	CAPACITA D'AVVIAMENTO - 230/50 CAPACITA D'AVVIAMENTO - 230/60 CAPACITA D'AVVIAMENTO - 115/60	CAPACITÉ DE DEMARRAGE - 230/50 CAPACITÉ DE DEMARRAGE - 230/60 CAPACITÉ DE DEMARRAGE - 115/60
12	650109 00	VALVE BODY	CORPO VALVOLA	CORPS DE VANNE
13	670012 00	VALVE PISTON	PISTONCINO VALVOLA	PISTON
14	650106 00	VALVE CAP	CAPPUCCIO VALVOLA	CAPUCHON DE VANNE
15	620389 00	WATER COOLED CONDENSER	CONDENSATORE AD ACQUA	CONDENSEUR A EAU
18	733204 00	WATER INLET FITTING	RACCORDO INGRESSO ACQUA	RACCORD ARRIVÉE D'EAU
19	400031 01	FIBER WASHER	RONDELLA IN FIBRA	RONDELLE EN FIBRE
20	620111 00	WATER REGULATING VALVE	VALVOLA PRESSOSTATICA	VANNE A EAU PRESSOSTATICA
21	733173 00	OUTLET VALVE FITTING	RACCORDO USCITA VALVOLA PRESS.	RACCORD SORTIE VALVE PRESS.
22	281900 03	PLASTIC TUBE-PER METER	TUBO IN PLASTICA-PER METRO	TUYAU EN PLASTIQUE-POUR MÈTRE
24	733174 00	WATER DRAIN FITTING	RACCORDO SCARICO ACQUA	RACCORD ÉVACUATION EAUX
25	400076 00	NUT	DADO	ECROU
26	400031 00	FIBER WASHER	RONDELLA IN FIBRA	RONDELLE EN FIBRE
27	630003 05	DRIER	FILTRO DEUMIFICATORE	FILTRE DESHYDRATEUR
28	784469 13	SUCTION LINE/ACCUMULATOR	ACCUMUL. E LINEA ASPIRAZIONE	ENS. ASPIRATION/ACCUMULATEUR

Зип Общепит

vsezip.ru

77(812)987-08-81



EDIPROM
0125.03

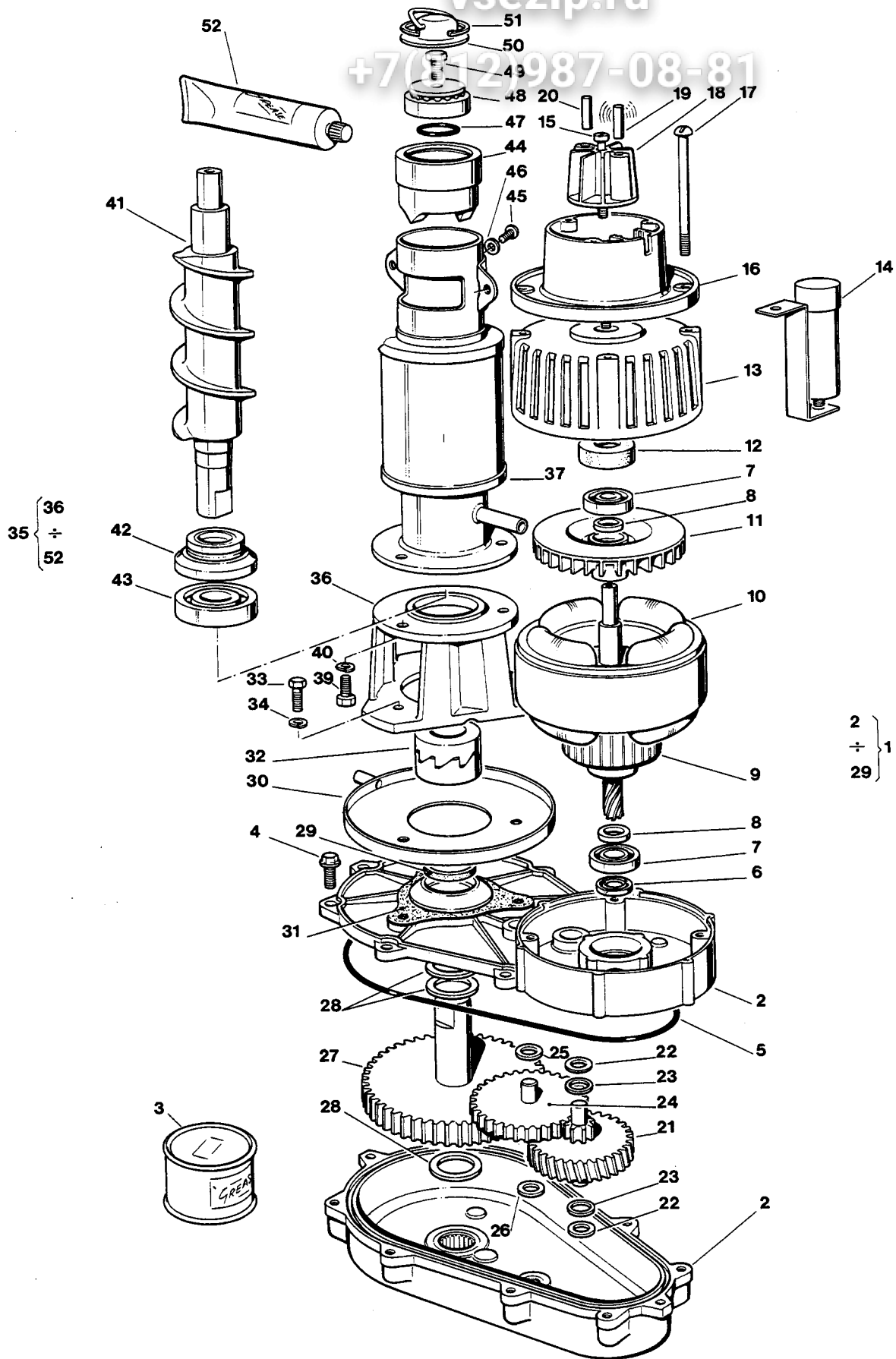
3ип-Общепит
vsezip.ru
7(012)987-08-81

**AF 100 - AF 200 - WATER SYSTEM AND INSULATIONS - CIRCUITO IDRAULICO
CIRCUIT HYDRAULIQUE ET ISOLATIONS - WASSERKREISLAUF UND ISOLIER**

ITEM NO POS NO REP. NO REF. NO	PART NO CODICE REFERENCE STUECK NR	DESCRIPTION	DESCRIZIONE	DESIGNATION
1	733205 00	WATER INLET FITTING	RACCORDO INGRESSO ACQUA	RACCORD ARRIVEE D'EAU
2	400031 00	FIBER WASHER	RONDELLA IN FIBRA	RONDELLE EN FIBRE
3	400030 01	NUT	DADO	ECROU
4	793126 01	WATER RESERVOIR ASSY	ASS. VASCHETTA GALLEGGIANTE	ENS. RÉSERVOIR
5	660363 00	WATER RESERVOIR COVER	COPERCHIO VACHETTA	COUVERCLE
6	724215 06	WATER LEVEL METAL PIN	PERNO SENSORE LIVELLO ACQUA	DETECTEUR NIVEAU EAU
7	660585 00	FLOAT VALVE ASSY	ASS. GALLEGGIANTE	ENS. VANNE A FLOTTEUR
8	783153 00 R	NOZZLE	UGELLO	GICLEUR
9	460038 02	CLIP RING	ANELLO SEEGER	CIRCLIP
10	640100 00	O RING	GUARNIZIONE OR	JOINT TORIQUE
11	281832 00	PLASTIC TUBE - PER MTR	TUBO IN PLASTICA - PER METRO	TUYAU EN PLASTIQUE - POUR
12	660224 00	WATER DRAIN FITTING	RACCORDO SCARICO ACQUA	RACCORD EVACUATION EA
13	660535 00	PLASTIC RING NUT	GHIERA IN PLASTICA	COLLIER DE SERRAGE EN PLA
14	281822 00	PLASTIC TUBE - PER MTR	TUBO IN PLASTICA - PER METRO	TUYAU EN PLASTIQUE - POUR
15	794225 13 R 794225 14 R	GEAR REDUCER ASSY - 230 GEAR REDUCER ASSY - 115	ASS. MOTORIDUTTORE - 230 ASS. MOTORIDUTTORE - 115	ENS .MOTOREDUCTEUR - 2 ENS .MOTOREDUCTEUR - 1
16	794236 08 R	FREEZER ASSY	ASS. FREEZER	ENS. FREEZER
17	650515 02	GEAR MOTOR PLASTIC COVER	PROTEZIONE MOTORE	PROTECTION MOTEUR
18	610163 02	PLASTIC TUBE	TUBO IN PLASTICA	TUYAU EN PLASTIQUE
19	660676 01	PLASTIC SPOUT	BOCCHETTA SCARICO GHIACCIO	BEC VERSEUR
20-21	060551 03	INSULATION	ISOLAMENTO	ISOLATION
22-23	060551 00	SPOUT INSULATION	ISOLAMENTO BOCCHETTA	ISOLATION BEC VERSEUR

vsezip.ru

+7(812)987-08-81



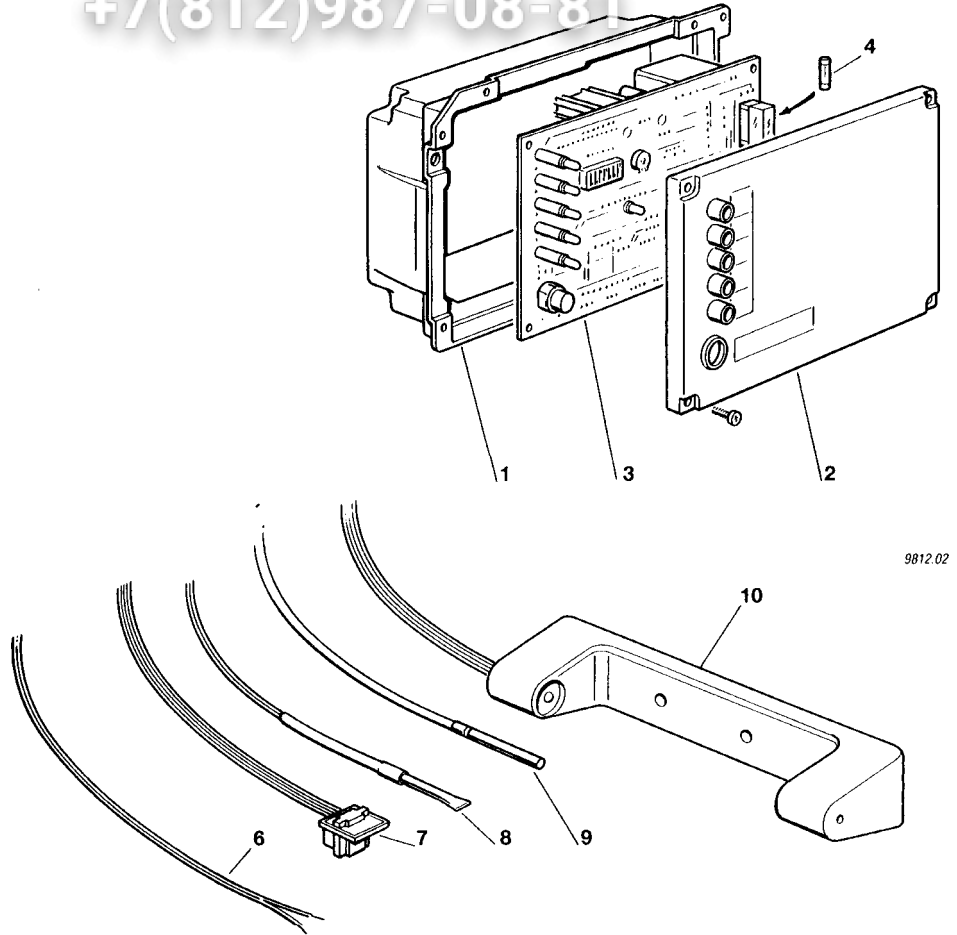
**AF 100 - AF 200 - FREEZER AND GEAR REDUCER ASSY - ASSIEME FREEZER E RIDUTTORE
ENS. FREEZER ET MOTOREDUCTEUR - GEFRIERZYLINDER UND GETRIEBEEINHEIT**

ITEM NO POS NO REP. NO REF. NO	PART NO CODICE REFERENCE STUECK NR	DESCRIPTION	DESCRIZIONE	DESIGNATION	BESCHREIBUNG
1	794225 13 R 794225 14 R	GEAR REDUCER ASSY - 230 GEAR REDUCER ASSY - 115	ASS. RIDUTTORE - 230 ASS. RIDUTTORE - 115	ENS. MOTOREDUCTEUR - 230 ENS. MOTOREDUCTEUR - 115	GETRIEBEMOTOR CPL - 230 GETRIEBEMOTOR CPL - 115
2	001015 01	GEAR CASE ASSY	ASS. SCATOLA INGRANAGGI	ENS. CARTER RÉDUCTEUR	GETRIEBEGEHAUSE CPL
3	060294 01	GREASE (1 KG)	GRASSO (1 KG)	GRAISSE (1 KG)	FETT (1 KG)
4	03 1251 01	SCREW	VITE	VIS	SCHRAUBE
5	640084 00	O RING	GUARNIZIONE OR	JOINT TORIQUE	O RING
6	640083 00	GEASE SEAL	PARAOLIO	PARAHUILE	SCHMIERDICHTUNG
7	651056 00	BEARING	CUSCINETTO	ROULEMENT	LAGER
8	441800 09	TRUST WASHER	RONDELLA DI RASAMENTO	RONDELLE	UNTERLEG SCHEIBE
9	794123 03 R	ROTOR ASSY	ASS. ROTORE	ENS. ROTOR	ROTOR EINHEIT
10	620394 00 620394 01	STATOR ASSY - 230 STATOR ASSY - 115	ASS. STATORE - 230 ASS. STATORE - 115	ENS. STATOR - 230 ENS. STATOR - 115	STATOREINHEIT - 230 STATOREINHEIT - 115
11	764001 00	FAN BLADE	VENTOLA	HELICE	FLÜGEL/RAD
12	640095 00	RUBBER INSERT	INSERTO IN GOMMA	BAGUE CAOUTCHOUC	GUMMI LAGER GEHAUSE
13	794226 01	DRIVE MOTOR COVER	COPERCHIO MOTORE	COUVERCLE MOTEUR	MOTOR DEKEL
14	620292 04 620292 00	CAPACITOR - 230 CAPACITOR - 115	CONDENSATORE - 230 CONDENSATORE - 115	CONDENSATEUR - 230 CONDENSATEUR - 115	KONDENSATOR - 230 KONDENSATOR - 115
15	03 1403 77	SCREW	VITE	VIS	SCHAUBE
16	650515 01	PLASTIC HOUSING	ALLOGGIAMENTO IN PLASTICA	BôTE DETECTEUR EFF. HALL	KUNSTSTOFFGEHAUSE
17	423872 01	SCREW	VITE	VIS	SCHRAUBE
18-19-20	784476 00	MAGNETO HOLDER ASSY	ASS. SUPPORTO MAGNETE	ENS. SUPPORT DU MAGNETO	MAGNETHALTER CPL
21	651160 00	1SR GEAR & PINION	INGRANAGGIO IN FIBRA	ENGRANAGE EN CELERON	1 GETRIEBERAND & RITZEL
22	441800 06	TRUST WASHER	RONDELLA DI RASAMENTO	RONDELLE	UNTERLEG SCHEIBE
23	441800 05	TRUST WASHER	RONDELLA DI RASAMENTO	RONDELLE	UNTERLEG SCHEIBE
24	651161 00	2ND GEAR & PINION	INGRANAGGIO INTERMEDIO	2eme ENGRANAGE ET PIGNON	2 GETRIEBERAND & RITZEL
25	441800 08	TRUST WASHER	RONDELLA DI RASAMENTO	RONDELLE	UNTERLEG SCHEIBE
26	441800 07	TRUST WASHER	RONDELLA DI RASAMENTO	RONDELLE	UNTERLEG SCHEIBE
27	651162 01	OUTPUT GEAR & SHAFT	INGRANAGGIO FINALE	PIGNON-ENGR. D'ENTRAINEMENT	GETRIEBERAD & AUSGANGSTIFT
28	441808 00	TRUST WASHER	RONDELLA DI RASAMENTO	RONDELLE	SCHEIBE
29	640019 01	GREASE SEAL	PARAOLIO	PARAHUILE	SCHMIERDICHTUNG
30	784062 00	DRIP TRAY	RACCOGLIGOCCE	GOUELLE EAU	TROPFPFANNE
31	640060 00	GASKET	GUARNIZIONE	JOINT	DICHTUNG
32	060359 00	COUPLING	GIUNTO	BAGUE D'ACCOUPLLEMENT CPL	KUPPLUNG
33	421052 00	SCREW	VITE	VIS	SCHAUBE
34	440015 04	WASHER	RONDELLA	RONDELLE	SCHEIBE
35	794236 08 R	FREEZER ASSY	ASS. FREEZER	ENS. FREEZER	GEFRIERZYLINDEREINHEIT
36	764010 00	ALUMINIUM ADAPTER	SUPPORTO DI ALLUMINIO	SUPPORT	PASSTUECK
37	784260 06	WORM TUBE ONLY	TUBO EVAPORATORE	CYLINDRE EVAPORATEUR	GEFRIERZYLINDER
39	421591 00	SCREW	VITE	VIS	SCHRAUBE
40	440015 04	WASHER	RONDELLA	RONDELLE	SCHEIBE
41	724052 07	AUGER	COCLEA	VIS SANS FIN	SCHNECKE
42	640040 00	WATER SEAL	ASSIEME PREMISTOPPA	GARNITURE D'ETANCHEITE	WASSERDICHTUNGEINHEIT
43	670011 01	LO BEARING	CUSCINETTO INFERIORE	PALIER INFERIEUR	UNTERESLAGER
44	754001 02	ICE BREAKER ONLY	ROMPIGHIACCIO	BROYEUR	EISBRECHER
45	420000 26	SCREW	VITE	VIS	SCHRAUBE
46	440015 05	WASHER	RONDELLA	RONDELLE	SCHEIBE
47	640041 01	O RING	GUARNIZIONE OR	JOINT TORIQUE	O RING
48	670041 00	TOP BEARING	CUSCINETTO SUPERIORE	PALIER SUPERIEUR	OBERESLAGER
49	420030 00	SCREW	VITE	VIS	SCHAUBE
50	734105 00	CAP	CALOTTA	CALOTTE	KUGELHAUBE
51	650297 00	CLIP RING	ANELLO SEEGER	CIRCLIP	RING
52	263612 00	WATER PROOF GREASE	GRASSO IDROREPELL.	GRAISSE	FETT

Зип-Общепит

vsezip.ru

+7(812)987-08-81



9812.02

Зип-Общепит

AF 100 - AF 200 - P.C. BOARD AND SENSOR ASSY - SCHEDA ELETTRONICA
 ENS. CARTE ELECTRIQUE ET DETECTEURS - ELEKTRONISCHE KARTE UND TEMPERATUR

vsezip.ru

+7(812)987-08-81

ITEM NO POS NO REP. NO REF. NO	PART NO CODICE REFERENCE STUECK NR	DESCRIPTION	DESCRIZIONE	DESIGNATION
1	660546 00	CONTROL BOX	SCATOLA ELETTRICA	BOITE ELECTRIQUE
2	660547 02	CONTROL BOX COVER	COPERCHIO SCATOLA ELETTRICA	COUVERCLE BOITE DE CO
3	620403 03 620403 09 620403 04 620403 10	P.C. BOARD ASSY - 230 RECYCLED PCB - 230 P.C. BOARD ASSY - 115 RECYCLED PCB - 115	ASSIEME SCHEDA ELETTRONICA - 230 SCHEDA ELETTRONICA RIC. - 230 ASSIEME SCHEDA ELETTRONICA - 115 SCHEDA ELETTRONICA RIC. - 115	ENSAMBLE CARTE ELECTRON CARTE ELECTRONIQUE RIC ENSAMBLE CARTE ELECTRON CARTE ELECTRONIQUE RIC
4	630015 09 630015 10	FUSE (100 mA) FUSE (16 A)	FUSIBILE (100 mA) FUSIBILE (16 A)	FUSIBLE (100 mA) FUSIBLE (16 A)
6	620404 04	WATER LEVEL SENSOR	SENSORE LIVELLO ACQUA	CAPTEUR NIVEAU EAU
7	620404 03	HALL EFFECT SENSOR	SENSORE EFFETTO HALL	CAPTEUR EFFECT HALL
8	620404 01	CONDENSER TEMP. SENSOR	SENSORE TEMP. CONDENSATORE	CAPTEUR TEMP. CONDENS
9	620404 10	EVAPORATOR TEMP. SENSOR	SENSORE TEMP. EVAPORATORE	CAPTEUR TEMP. ÉVAPORA
10	650674 02	ICE LEVEL CONTROL ASSY	ASS. CONTR. LIVELLO GHIACCIO	ENS. DETECTEUR NIVEAU

COMPRESSOR CHART - TABELLA COMPRESSORI - TABLEAU COMPRESSEUR - KOMPRESSOR

vsezip.ru

MODEL MODELLO MODELE MODELL	VOLTS TENSIONE TENSION SPANNUNG	COMPRESSOR MODEL MOD. COMPRESSORE TYPE COMPRESSEUR KOMPRESSOR-TYP	COMPRESSOR COMPRESSORE COMPRESSEUR KOMPRESSOR	RELAY RELÉ RELAIS RELAIS	PROTECTOR PROTETTORE PROTECTEUR SCHUTZGERAT	STAR CAP. CAPACITÀ START
AF 100 AF 200	115/60/1 115/60/1	U.H. AEZ 4430 Y U.H. CAE 4448 Y	670101 05 670101 06	620057 58 620057 59	620058 43 620058 68	62 62
AF 100 AF 200	230/60/1 230/60/1	U.H. AEZ 4430 Y U.H. CAE 4448 Y	670101 01 670101 02	620057 42 620057 49	620058 77 620058 80	62 62
AF 100 AF 200	230/50/1 230/50/1	ELECTROLUX GL 90 TB ELECTROLUX GP 14 TB	670100 00 670100 01	620057 31 620057 56	620058 69 620058 67	62 62

ELECTRIC COMPONENTS CHART - TABELLA COMPONENTI ELETTRICI - TABLEAU COMPOSANTS ELECTRIQUES

MODEL MODELLO MODELE MODELL	VOLTS TENSIONE TENSION SPANNUNG	GEAR MOTOR ASSY ASS. MOTORIDUTTORE ENS. MOTOREDUCTEUR GETRIEBEMOTOREINHEIT	FAN MOTOR ONLY MOTORE VENTILATORE MOTEUR VENTILATEUR LUFTER MOTOR	DRIVE MOTOR CAPACITOR CAPACITÀ MOTORE RIDUTT. CONDENSATEUR MOTEUR REDUCT. KONDENSATOR	SCH. CAR. ELEK.
AF 100 AF 200	115/60/1	794225 14 R	620419 03	620292 00	
AF 100 AF 200	230/60/1	794225 13 R	620419 02	620292 04	
AF 100 AF 200	230/50/1	794225 13 R	620419 02	620292 04	