

MC 13-45

Зип Общелит

vsezip.ru

Electronic modular cuber

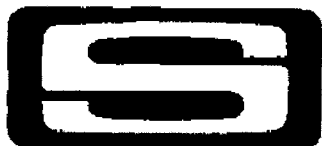
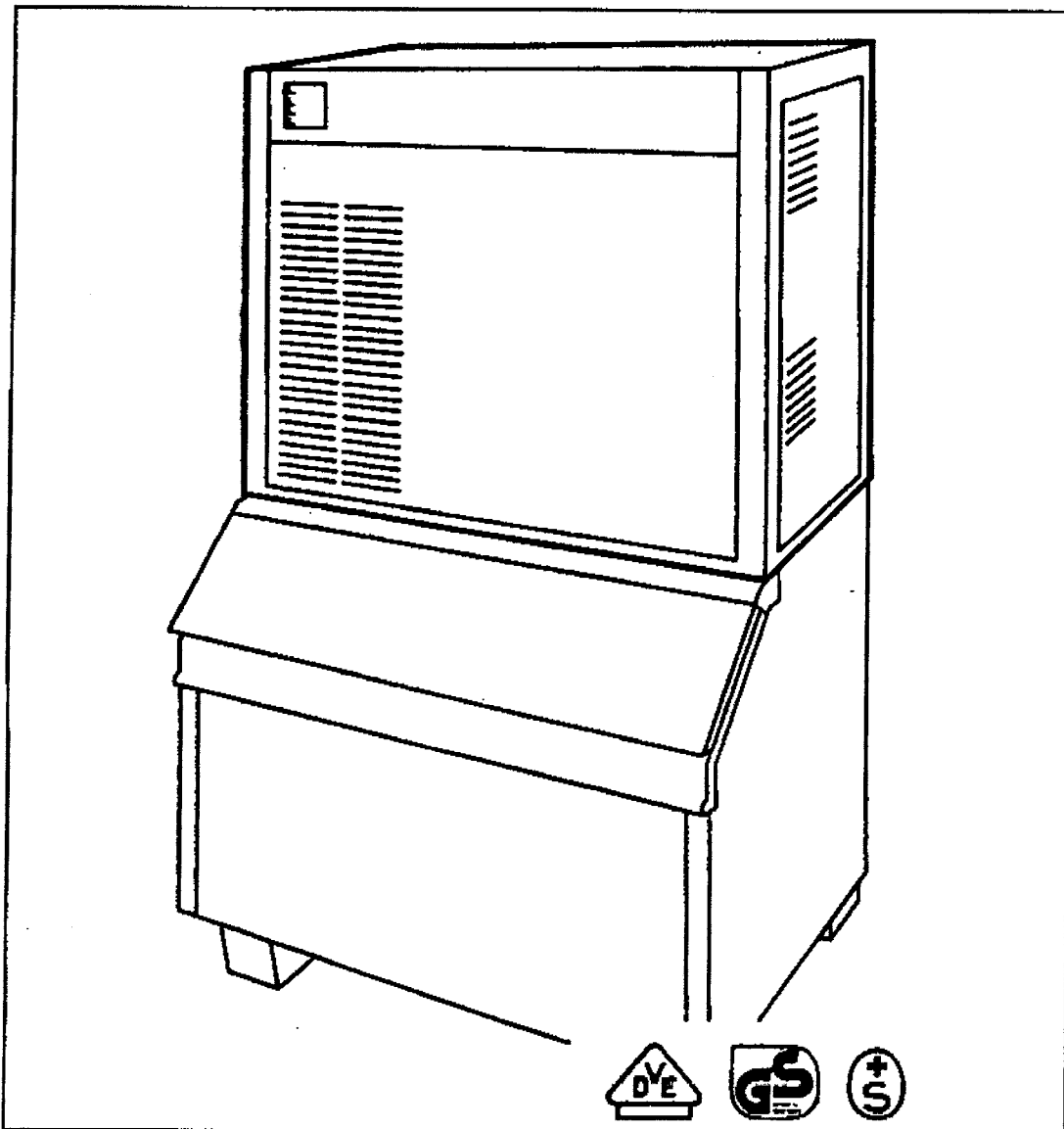
+7(812)987-08-81

Spare parts list

Catalogo ricambi

Catalogues pièces détachées

Ersatzteilkatalog



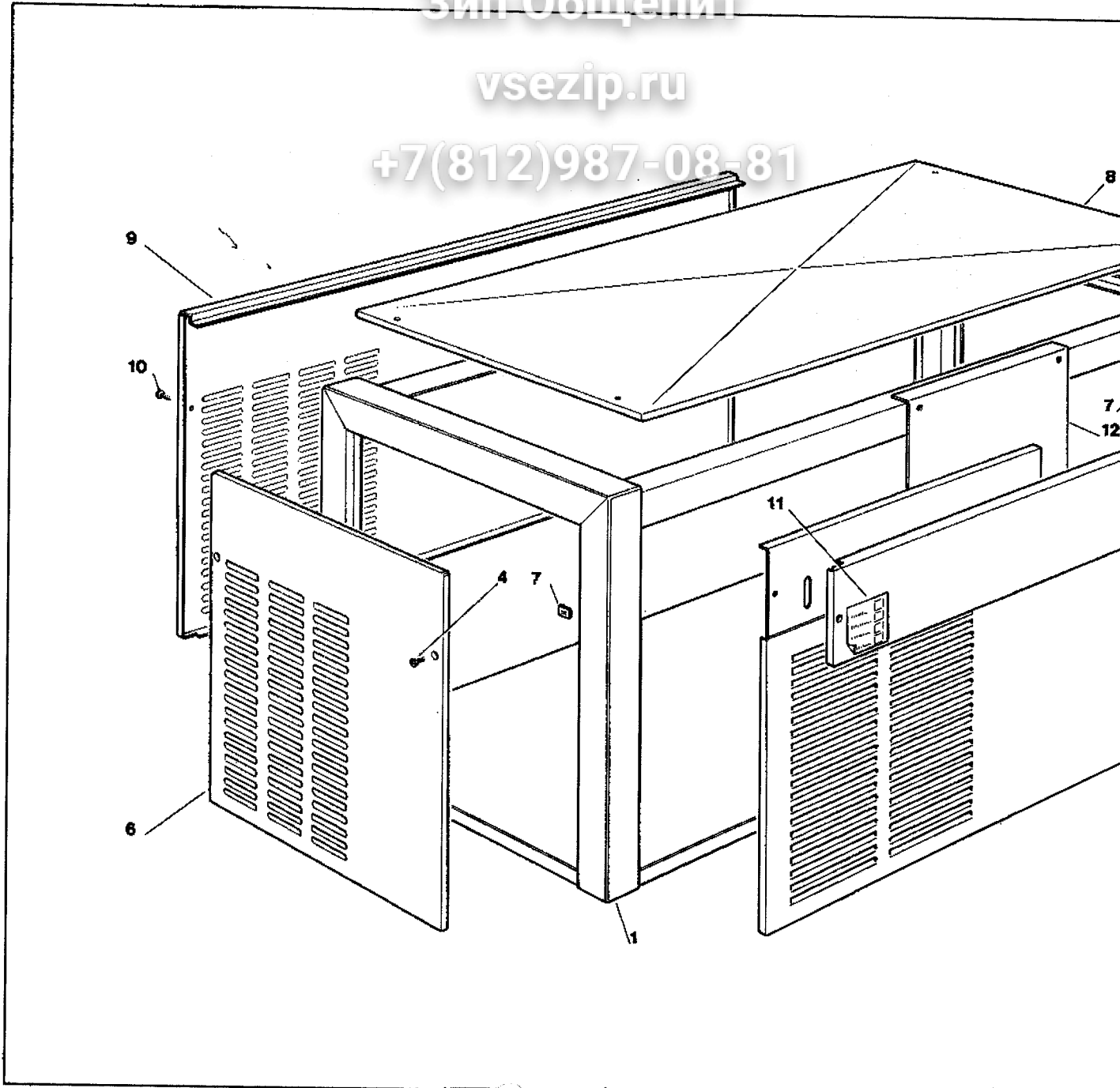
SCOTSMAN®

ICE SYSTEMS

Зип-Общепит

vsezip.ru

+7(812)987-08-81



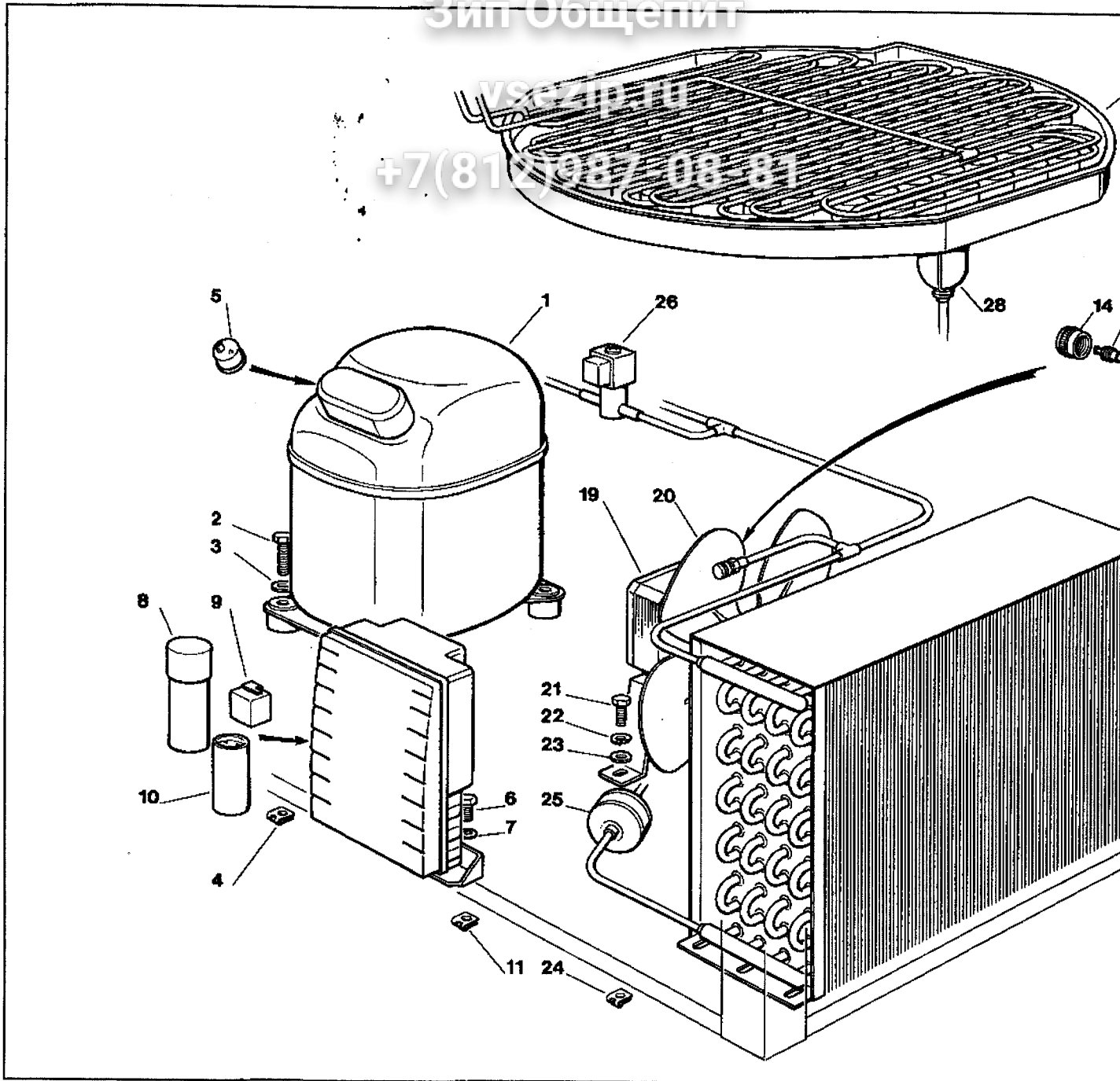
MC 15 - 45 - UNIT PANELS - ASSIEME MOBILE - ENS. CARROSSERIE - MACHINE

| ITEM NO POS NO REP. NO REF. NO | PART NO - CODICE REFERENCE - STUECK NR | | DESCRIPTION | DESCRIZIONE | DESIGNATION |
|-----------------------------------------|-------------------------------------------|-----------|--------------------------|--------------------------------|------------------------------|
| | MC 15 | MC 45 | | | |
| 1 | 791045 09 | 791045 11 | FRAME ASSY S.S. | ASSIEME METALLO ACCIAIO INOX | ENSAMBLE CHASSIS ACIER |
| 2 | 701997 09 | 701997 11 | FRONT PANEL S.S. | PANNELLO FRONTALE ACCIAIO INOX | PANNEAU AVANT ACIER INOX |
| 3 | 721495 16 | 721495 18 | FRONT UPPER PANEL | PANNELLO FRONTALE SUPERIORE | PANNEAU AVANT SUPERIEUR |
| 4 | 470002 06 | 470002 06 | SCREW | VITE | VIS |
| 5 | 701857 02 | 701857 04 | RIGHT SIDE PANEL S.S. | PANNELLO LATERALE DX ACC. INOX | PANNEAU DROITE ACIER INOX |
| 6 | 701856 02 | 701856 04 | LEFT SIDE PANEL S.S. | PANNELLO LATERALE SX ACC. INOX | PANNEAU GAUCHE ACIER INOX |
| 7 | 650028 01 | 650028 01 | METAL CLIP | MADREVITE METALLICA | ECROU |
| 8 | 701995 01 | 701995 01 | TOP PANEL S.S. | PANNELLO SUPERIORE ACC. INOX | PANNEAU SUPERIEUR ACIER INOX |
| 9 | 701996 01 | 701996 06 | REAR PANEL S.S. | PANNELLO POSTERIORE ACC. INOX | PANNEAU ARRIERE ACIER INOX |
| 10 | 470002 06 | 470002 06 | SCREW | VITE | VIS |
| 11 | 650624 01 | 650624 01 | LABEL | ADESIVO SEGNALETICO | ETIQUETTE |
| 12 | ***** | 704254 02 | UPPER EVAPORATOR BRACKET | SUPP. EVAPORATORE SUP. | SUPPORT ÉVAPORATEUR SUP. |

Зип Ощепит

Усе Зип ТН

+7(812)987-08-81



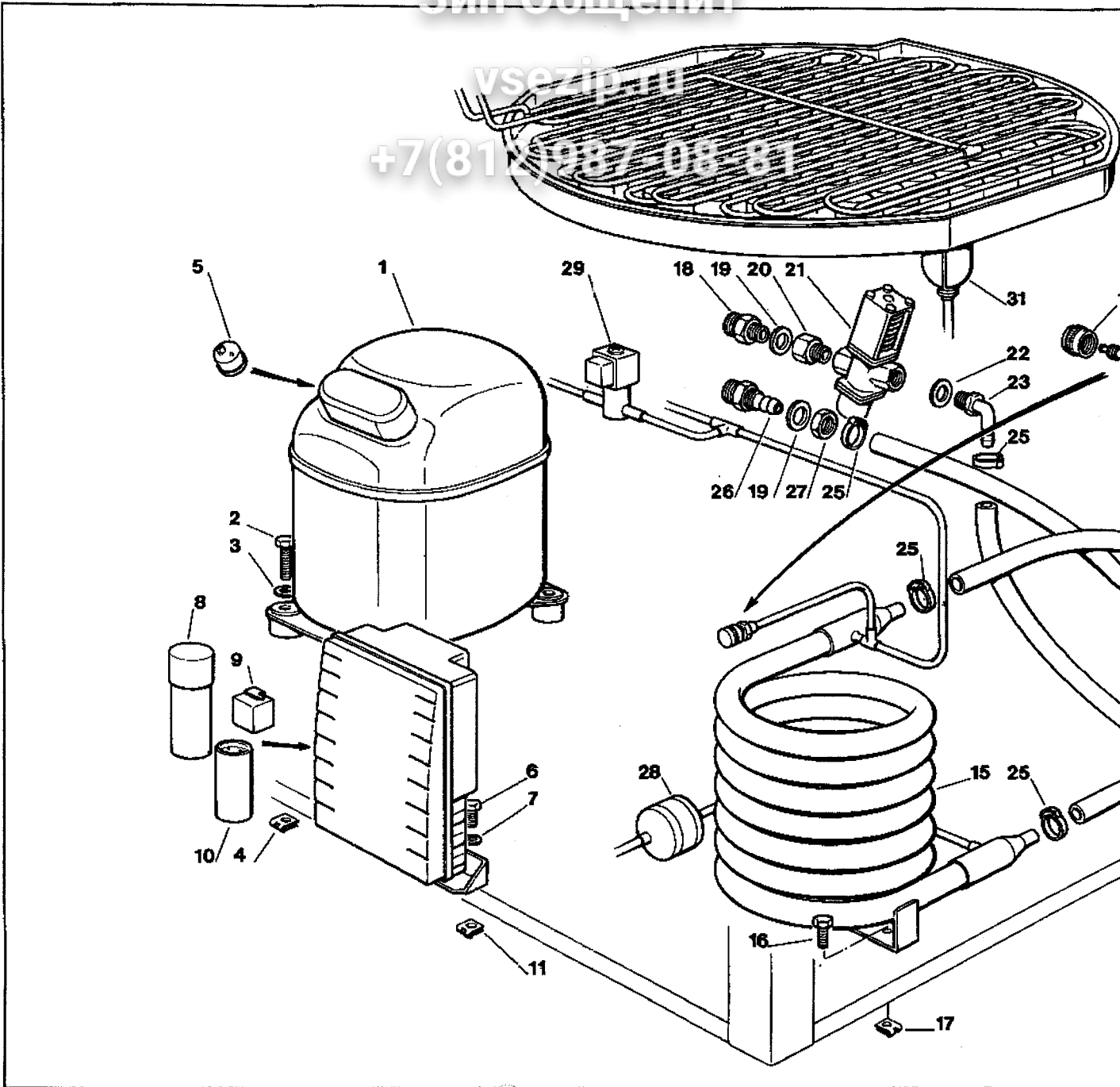
MC 15 - 45 - REFRIGERANT SYSTEM AIR COOLED - SISTEMA REFRIGERANTE RA
CIRCUIT FRIGORIFIQUE REFOID. PAR AIR - LUFTGEKÜHLT GEFRIERSYST

| ITEM NO POS NO REP. NO REF. NO | PART NO - CODICE REFERENCE - STUECK NR | | DESCRIPTION | DESCRIZIONE | DESIGNATION |
|-----------------------------------------|-------------------------------------------|-------------------------------------|--------------------------------------------------------------------------------|---------------------------------------------------------------------------------------------|----------------------------------------------------------------------------|
| | MC 15 | MC 45 | | | |
| 1 | 670076 11 670076 13 | 670088 09 670088 08 | COMPRESSOR ASSY 220 V COMPRESSOR ASSY 380 V | ASSIEME COMPRESSORE 220 V ASSIEME COMPRESSORE 380 V | ENSAMBLE COMPRESSEUR ENSAMBLE COMPRESSEUR |
| 2 | 420043 00 | 420043 00 | SCREW | VITE | VIS |
| 3 | 440088 00 | 440088 00 | WASHER | RONDELLA | RONDELLE |
| 4 | 650407 01 | 650407 01 | METAL CLIP | DADO IN GABBIA | ECROU |
| 5 | 620058 47 620058 49 | ***** ***** | PROTECTOR 220 V PROTECTOR 380 V | PROTETTORE 220 V PROTETTORE 380 V | PROTECTEUR 220 V PROTECTEUR 380 V |
| 6 | 420000 22 | 420000 22 | SCREW | VITE | VIS |
| 7 | 440026 00 | 440026 00 | WASHER | RONDELLA | RONDELLE |
| 8 | 620167 25 | 620167 24 | RUN CAPACITOR 220 V | CAPACITA DI MARCIA 220 V | CAPACITÉ PERMANENCE 220 |
| 9 | 620168 13 | 620168 18 | START RELAY 220 V | RELE DI AVVIAMENTO 220 V | RELAIS DE DEMARRAGE 220 |
| 10 | 620167 22 | 620167 26 | START CAPACITOR 220 V | CAPACITA D'AVVIAMENTO 220 V | CAPACITÉ DE DEMARRAGE |
| 11 | 650029 03 | 650029 03 | METAL CLIP | DADO IN GABBIA | ECROU |
| 12 | 650109 00 | 650109 00 | VALVE BODY | CORPO VALVOLA | CORPS DE VANNE |
| 13 | 670012 00 | 670012 00 | VALVE PISTON | PISTONCINO VALVOLA | PISTON |
| 14 | 650106 00 | 650106 00 | VALVE CAP | CAPPUCCIO VALVOLA | CAPUCHON DE VANNE |
| 15 | 620378 00 | 620410 00 | AIR COOLED CONDENSER | CONDENSATORE AD ARIA | CONDENSEUR A AIR |
| 16 | 420000 23 | 420000 23 | SCREW | VITE | VIS |
| 17 | 440084 00 | 440084 00 | WASHER | RONDELLA | RONDELLE |
| 18 | 650029 03 | 650029 03 | METAL CLIP | DADO IN GABBIA | ECROU |
| 19 | 620233 00 ***** ***** | 620300 06 620413 00 620338 04 | FAN MOTOR UPPER FAN MOTOR GRID | MOTORE VENTILATORE MOTORE VENT. SUPERIORE GRIGLIA | MOTEUR VENTILATEUR MOTEUR VENT. SUPERIEUR GRILLE |
| 20 | 620000 00 ***** ***** | 620000 03 620000 01 620000 02 | FAN BLADE UPPER FAN BLADE 50 Hz UPPER FAN BLADE 60 Hz | VENTOLA VENTOLA SUP. 50 Hz VENTOLA SUP. 60 Hz | HELICE HELICE SUP. 50 Hz HELICE SUP. 60 Hz |
| 21 | 420010 00 | 420010 00 | SCREW | VITE | VIS |
| 22 | 440084 00 | 440084 00 | WASHER | RONDELLA | RONDELLE |
| 23 | 440026 00 | 440026 00 | LOCK WASHER | RONDELLA SPACCATA | RONDELLE |
| 24 | 650029 03 | 650029 03 | METAL CLIP | DADO IN GABBIA | ECROU |
| 25 | 670006 01 | 670006 01 | DRIER | FILTRO DEUMIDIFICATORE | FILTRE DESHYDRATEUR |
| 26 | 620306 32 620306 28 | 620306 32 620306 28 | HOT GAS VALVE BODY-SCEM HOT GAS VALVE COIL-SCEM | CORPO VALVOLA GAS CALDO-SCEM BOBINA VALVOLA GAS CALDO-SCEM | CORP VANNE GAZ CHAUD-S BOBINE VANNE GAZ CHAUD- |
| 27 | 784348 03 784349 02 784347 02 | 784345 02 784346 02 784347 02 | EVAPORATOR ASSY - LARGE EVAPORATOR ASSY - MEDIUM EVAPORATOR ASSY - SMALL | ASSIEME EVAPORATORE - GRANDI ASSIEME EVAPORATORE - MEDI ASSIEME EVAPORATORE - PICCOLI | ENSAMBLE ÉVAPORATEUR - ENSAMBLE ÉVAPORATEUR - ENSAMBLE ÉVAPORATEUR - |
| 28 | 785084 01 | 785082 05 | SUCTION LINE/ACCUMULATOR | ACCUMUL. E LINEA ASPIRAZIONE | ENS. ASPIRATION/ACCUMUL. |

Зип Ощепит

vsezip.ru

+7(812)987-08-81



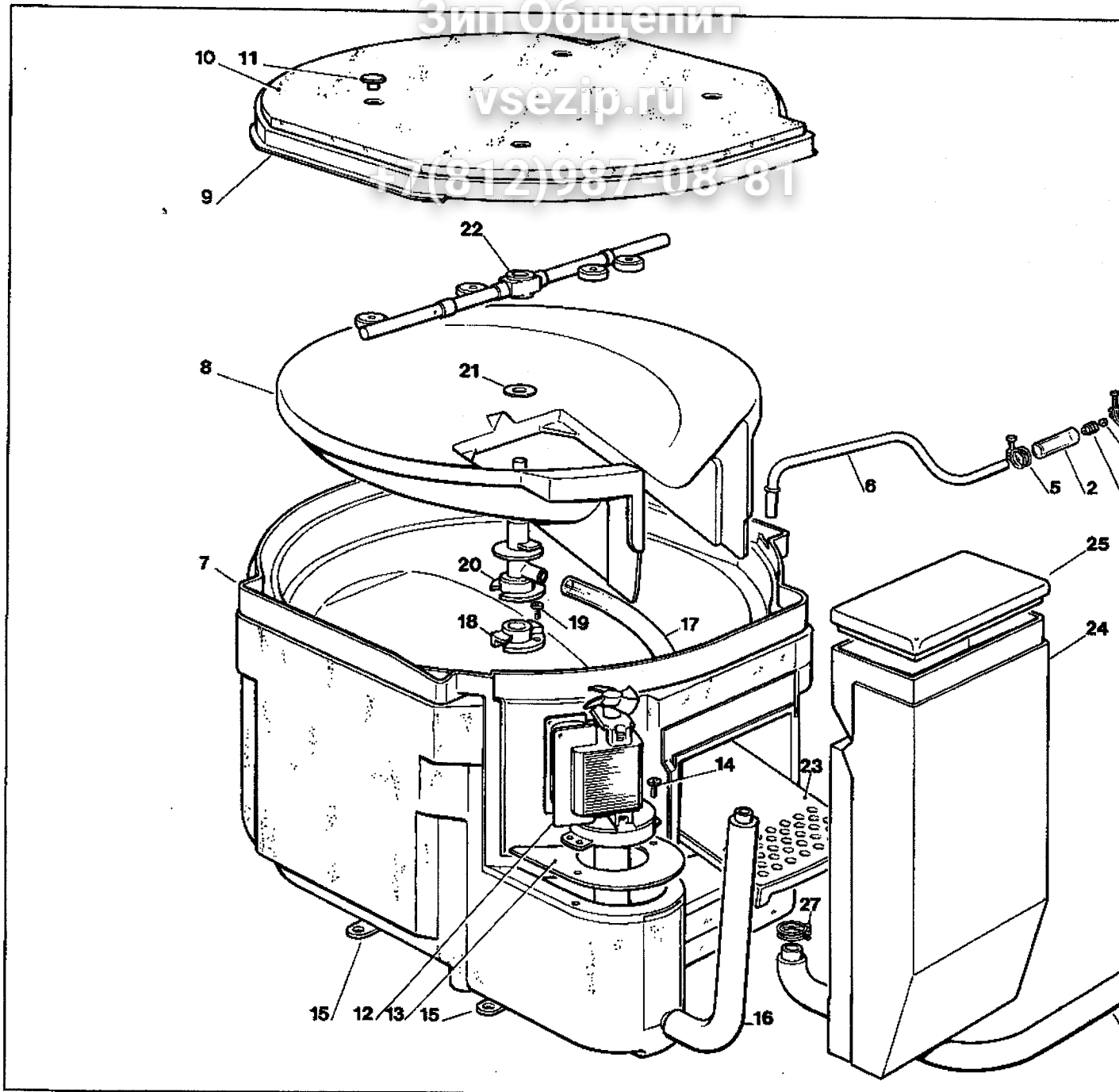
MC 15 - 45 - REFRIGERANT SYSTEM WATER COOLED - SISTEMA REFRIGERANTE R
CIRCUIT FRIGORIFIQUE REFRROID. PAR EAU - WASSERGEKÜHLT GEFRIERSY

| ITEM NO POS NO REF. NO | PART NO - CODICE REFERENCE - STUECK NR | | DESCRIPTION | DESCRIZIONE | DESIGNATION |
|------------------------------|-------------------------------------------|-------------------------------------|--------------------------------------------------------------------------------|---------------------------------------------------------------------------------------------|----------------------------------------------------------------------|
| | MC 15 | MC 45 | | | |
| 1 | 670076 11 670076 13 | 670088 09 670088 08 | COMPRESSOR ASSY 220 V COMPRESSOR ASSY 380 V | ASSIEME COMPRESSORE 220 V ASSIEME COMPRESSORE 380 V | ENSAMBLE COMPRESSEUR ENSAMBLE COMPRESSEUR |
| 2 | 420043 00 | 420043 00 | SCREW | VITE | VIS |
| 3 | 440088 00 | 440088 00 | WASHER | RONDELLA | RONDELLE |
| 4 | 650407 01 | 650407 01 | METAL CLIP | DADO IN GABBIA | ECROU |
| 5 | 620058 47 620058 49 | ***** ***** | PROTECTOR 220 V PROTECTOR 380 V | PROTETTORE 220 V PROTETTORE 380 V | PROTECTEUR 220 V PROTECTEUR 380 V |
| 6 | 420000 22 | 420000 22 | SCREW | VITE | VIS |
| 7 | 440026 00 | 440026 00 | WASHER | RONDELLA | RONDELLE |
| 8 | 620167 25 | 620167 24 | RUN CAPACITOR 220 V | CAPACITA DI MARCIA 220 V | CAPACITÉ PERMANENCE 220 V |
| 9 | 620168 13 | 620168 18 | START RELAY 220 V | RELE DI AVVIAMENTO 220 V | RELAIS DE DEMARRAGE 220 V |
| 10 | 620167 22 | 620167 26 | START CAPACITOR 220 V | CAPACITA D'AVVIAMENTO 220 V | CAPACITÉ DE DEMARRAGE 220 V |
| 11 | 650029 03 | 650029 03 | METAL CLIP | DADO IN GABBIA | ECROU |
| 12 | 650109 00 | 650109 00 | VALVE BODY | CORPO VALVOLA | CORPS DE VANNE |
| 13 | 670012 00 | 670012 00 | VALVE PISTON | PISTONCINO VALVOLA | PISTON |
| 14 | 650106 00 | 650106 00 | VALVE CAP | CAPPUCCIO VALVOLA | CAPUCHON DE VANNE |
| 15 | 620331 01 | 620331 02 | WATER COOLED CONDENSER | CONDENSATORE AD ACQUA | CONDENSEUR A EAU |
| 16 | 420010 00 | 420010 00 | SCREW | VITE | VIS |
| 17 | 650029 03 | 650029 03 | METAL CLIP | DADO IN GABBIA | ECROU |
| 18 | 733204 00 | 733204 00 | WATER INLET FITTING | RACCORDO INGRESSO ACQUA | RACCORD ARRIVÉE D'EAU |
| 19 | 400031 01 | 400031 01 | FIBER WASHER | RONDELLA IN FIBRA | RONDELLE EN FIBRE |
| 20 | 650575 00 | 650575 00 | REGULATING VALVE INLET FITTING | RACCORDO INGR. VALVOLA PRESS. | RACCORD ENTRÉE VALVE P |
| 21 | 620111 00 | 620111 00 | WATER REGULATING VALVE | VALVOLA PRESSOSTATICA | VANNE A EAU PRESSOSTAT |
| 22 | 640076 15 | 640076 15 | FIBER WASHER | RONDELLA IN FIBRA | RONDELLE EN FIBRE |
| 23 | 650623 00 | 650623 00 | OUTLET VALVE FITTING | RACCORDO USCITA VALVOLA PRESS | RACCORD SORTIE VALVE P |
| 24 | 281900 03 | 281900 03 | PLASTIC TUBE-PER METER | TUBO IN PLASTICA-PER METRO | TUYAU EN PLASTIQUE-POU |
| 25 | 650499 00 | 650499 00 | PLASTIC CLAMP | FASCETTA IN PLASTICA | COLLIER EN PLASTIQUE |
| 26 | 733174 00 | 733174 00 | WATER DRAIN FITTING | RACCORDO SCARICO ACQUA | RACCORD ÉVACUATION EA |
| 27 | 400076 00 | 400076 00 | NUT | DADO | ECROU |
| 28 | 670006 01 | 670006 01 | DRIER | FILTRO DEUMIDIFICATORE | FILTRE DESHYDRATEUR |
| 29 | 620306 32 620306 28 | 620306 32 620306 28 | HOT GAS VALVE BODY-SCEM HOT GAS VALVE COIL-SCEM | CORPO VALVOLA GAS CALDO-SCEM BOBINA VALVOLA GAS CALDO-SCEM | CORP VANNE GAZ CHAUD-S BOBINE VANNE GAZ CHAUD |
| 30 | 784345 02 784349 02 784347 02 | 784345 02 784346 02 784347 02 | EVAPORATOR ASSY - LARGE EVAPORATOR ASSY - MEDIUM EVAPORATOR ASSY - SMALL | ASSIEME EVAPORATORE - GROSSI ASSIEME EVAPORATORE - MEDI ASSIEME EVAPORATORE - PICCOLI | ENSAMBLE ÉVAPORATEUR ENSAMBLE ÉVAPORATEUR ENSAMBLE ÉVAPORATEUR |
| 31 | 785084 01 | 785082 05 | SUCTION LINE/ACCUMULATOR | ACCUMUL. E LINEA ASPIRAZIONE | ENS. ASPIRATION/ACCUMUL |

Зип-Общепит

vsezip.ru

7(812)987-08-81



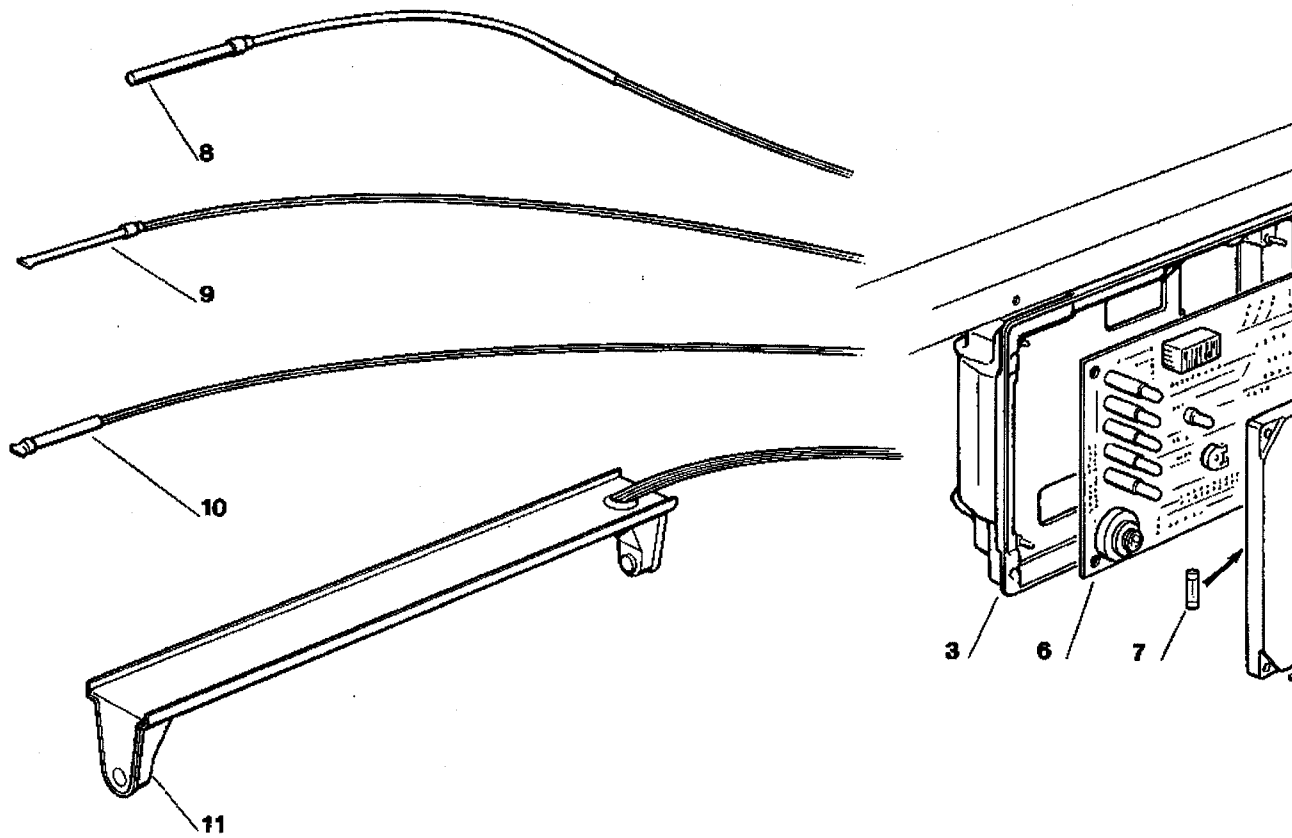
MC 15 - WATER SYSTEM - CIRCUITO IDRAULICO - CIRCUIT HYDRAULIQUE - WAS

| TEM NO POS NO REP. NO REF. NO | PART NO CODICE REFERENCE STUECK NR | DESCRIPTION | DESCRIZIONE | DESIGNATION |
|----------------------------------------|---------------------------------------------|---------------------------|-------------------------------|--------------------------|
| 1 | 650105 00 | WATER INLET VALVE | VALVOLA INGRESSO ACQUA | VANNE ARRIVÉE D'EAU |
| 2 | 281900 04 | PLASTIC TUBE PER METER | TUBO IN PLASTICA PER 1 METRO | TUYAU EN PLASTIQUE-POU |
| 3 | 640022 00 | FLOW CONTROL | CONTROLLO DI FLUSSO | CONTROLE DE DEBIT |
| 4 | 733123 00 | FLOW CONTROL BODY | CORPO CONTROLLO DI FLUSSO | CORPS CONTRÔLE DE DEBIT |
| 5 | 460017 00 | CLAMP | FASCETTA | COLLIER |
| 6 | 784317 08 | WATER INLET TUBE - COPPER | TUBO RAME INGRESSO ACQUA | TUYAU EN CUIVRE ARRIVÉE |
| 7 | 784344 00 | SUMP & FREEZING CHAMBER | INVOLUCRO EVAPORATORE | ENCEINTE ÉVAPORATEUR |
| 8 | 660487 00 | INNER BOTTOM & CHUTE | FONDO & SCIVOLO MOBILE | PLAQUE DE FOND ET CHUTE |
| 9 | 660491 00 | EVAPORATOR COVER | COPERCHIO EVAPORATORE | COUVERCLE ÉVAPORATEUR |
| 10 | 650538 00 | INSULATION | ISOLAMENTO | ISOLATION |
| 11 | 660419 00 | PLASTIC PLUG | TAPPO IN PLASTICA | BOUCHON EN PLASTIQUE |
| 12 | 670002 12 | WATER PUMP ASSY | ASSIEME POMPA | ENSSEMBLE POMPE A EAU |
| 13 | 723132 01 | METAL BRACKET | SUPPORTO IN METALLO | PLAQUE SUPPORT POMPE |
| 14 | 470026 00 | SCREW | VITE | VIS |
| 15 | 660489 00 | EVAPORATOR BRACKET | SUPPORTO EVAPORATORE | SUPPORT ÉVAPORATEUR |
| 16 | 610148 02 | DRAIN TUBE | TUBO DI SCARICO | TUYAU ÉVACUATION |
| 17 | 743113 02 | PLASTIC TUBE | TUBO IN PLASTICA | TUYAU EN PLASTIQUE |
| 18 | 660483 00 | JET BEARING FLANGE | FLANGIA RACCORDO CENTRALE | BRIDE AXE PALIER DE RAMP |
| 19 | 420014 05 | SCREW | VITE | VIS |
| 20 | 660475 00 | JET BEARING | RACCORDO CENTRALE | AXE PALIER DE RAMPE |
| 21 | 440013 06 | THRUST WASHER | RONDELLA DI RASAMENTO | RONDELLE |
| 22 | 793127 00 | SPRAY BAR | BARRA SPRUZZANTE | RAMPE PULVERISATION EAU |
| 23 | 660488 00 | REMOVABLE INNER BOTTOM | SCIVOLO INTERNO AMOVIBILE | PLAQUE CHUTE DEMONTABL |
| 24 | 660477 00 | ICE CHUTE | CONDOTTO SCARICO CUBETTI | GOULOTTE A GLACONS |
| 25 | 660477 02 | ICE CHUTE COVER | COPERCHIO COND. SCAR. CUBETTI | CAPOT DE GOULOTTE |
| 26 | 610167 00 | WATER DRAIN TUBE | TUBO SCARICO ACQUA | TUYAU ÉVACUATION |
| 27 | 460004 00 | CLAMP | FASCETTA | COLLIER |
| 28 | 660224 00 | WATER DRAIN FITTING | RACCORDO SCARICO ACQUA | RACCORD ÉVACUATION EAU |
| 29 | 660535 00 | PLASTIC RING NUT | GHIERA IN PLASTICA | COLLIER DE SERRAGE EN PL |

Зип Общепит

vsezip.ru

+7(812)987-08-81



**MC 15 - MC45 - P.C. BOARD AND SENSOR ASSY - SCHEDA ELETTRONICA
ENS. CARTE ELECTRIQUE ET DETECTEURS - ELEKTRONISCHE KARTE UND TEMPERAT**

| ITEM NO POS NO REP. NO REF. NO | PART NO CODICE REFERENCE STUECK NR | DESCRIPTION | DESCRIZIONE | DESIGNATION |
|-----------------------------------------|---------------------------------------------|-------------------------|------------------------------|-------------------------|
| 1 | 725025 00 | METAL BRACKET | SUPPORTO IN METALLO | SUPPORT METALLIQUE |
| 2 | 470088 00 | SCREW | VITE | VIS |
| 3 | 660546 00 | CONTROL BOX | SCATOLA ELETTRICA | BOITE ELECTRIQUE |
| 4 | 470000 07 | SCREW | VITE | VIS |
| 5 | 660547 00 | CONTROL BOX COVER | COPERCHIO SCATOLA ELETTRICA | COUVERCLE BOITE DE COM |
| 6 | 620403 01 | P.C. BOARD ASSY | ASSIEME SCHEDA ELETTRONICA | ENSAMBLE CARTE ELECTRI |
| 7 | 630015 09 | FUSE | FUSIBILE | FUSIBLE |
| 8 | 620404 00 | EVAPORATOR TEMP. SENSOR | SENSORE TEMP. EVAPORATORE | CAPTEUR TEMP. ÉVAPORA |
| 9 | 620404 01 | CONDENSER TEMP. SENSOR | SENSORE TEMP. CONDENSATORE | CAPTEUR TEMP. CONDENS |
| 10 | 620404 02 | AMBIENT TEMP. SENSOR | SENSORE TEMP. AMBIENTE | CAPTEUR TEMP. AMBIANCE |
| 11 | 783167 01 | ICE LEVEL CONTROL ASSY | ASS. CONTR. LIVELLO GHIACCIO | ENS. DETECTEUR NIVEAU G |
| 12 | 630124 05 | CONTACTOR | TELERUTTORE | CONTACTEUR |
| | | | | |

COMPRESSOR CHART - TABELLA COMPRESSORI - TABLEAU COMPRESSEUR - KOMPRESSOR

vsezip.ru

| MODEL MODELLO MODELE MODELL | VOLTS TENSIONE TENSION SPANNUNG | COMPRESSOR MODEL MOD. COMPRESSORE TYPE COMPRESSEUR KOMPRESSORTYP | COMPRESSOR COMPRESSORE COMPRESSEUR KOMPRESSOR | RELAY RELÉ RELAIS RELAI | PROTECTOR PROTETTORE PROTECTEUR SCHUTZGERAT | START CAPACITOR CAPACITA D'AVV. CAPACITÉ DE DEMARRAGE START KONDENSATOR |
|--------------------------------------|------------------------------------------|---------------------------------------------------------------------------|--------------------------------------------------------|----------------------------------|------------------------------------------------------|----------------------------------------------------------------------------------|
| MC 15 | 115/60/1 | U.H. AJ 5515 E | 670076 12 | 620168 11 | 620058 48 | 620167 22 |
| MC 15 MC 45 | 230/60/1 230/60/1 | U.H. AJ 5515 E U.H. AH 5524 E | 670076 12 670088 10 | 620168 11 620168 20 | 620058 48 ***** | 620167 22 620167 30 |
| MC 15 MC 45 | 220/50/1 220/50/1 | U.H. AJ 5515 E U.H. AH 5524 E | 670076 11 670088 09 | 620168 13 620168 18 | 620058 47 ***** | 620167 22 620167 26 |
| MC 15 MC 45 | 380/50/3 380/50/3 | U.H. AJ 5515 E U.H. TAH 5524 E | 670076 13 670088 08 | ***** ***** | 620058 49 ***** | ***** ***** |

ELECTRIC COMPONENTS CHART - TABELLA COMPONENTI ELETTRICI - TABLEAU COMPOSANTS ELECTRIQUES

| MODEL MODELLO MODELE MODELL | VOLTS TENSIONE TENSION SPANNUNG | CONTACTOR TELERUTTORE CONTACTEUR SCHALTSCHÜTZ | WATER PUMP POMPA POMPE A EAU WASSER PUMPE | FAN MOTOR ONLY MOTORE VENTILATORE MOTEUR VENTILATEUR LUFTER MOTOR | UPPER FAN MOTOR ONLY MOTORE VENTILATORE SUP MOTEUR VENTILATEUR SUP OBERER LUFTER MOTOR | WATER INLET VALVE VALV. INGR. ACQUA V.E.M. ARRIVÉE EAU WASSEREIN. VENTIL |
|--------------------------------------|------------------------------------------|--------------------------------------------------------|----------------------------------------------------|----------------------------------------------------------------------------|-------------------------------------------------------------------------------------------------|-----------------------------------------------------------------------------------|
| MC 15 | 115/60/1 | 630124 05 | 670002 14 | 620233 02 | ***** | 650105 00 |
| MC 15 MC 45 | 230/60/1 230/60/1 | 630124 05 630124 05 | 670002 14 670002 14 | 620233 02 620300 09 | ***** 620413 00 | 650105 00 650105 00 |
| MC 15 MC 45 | 220/50/1 220/50/1 | 630124 05 630124 05 | 670002 12 670002 12 | 620233 00 620300 06 | ***** 620413 00 | 650105 00 650105 00 |
| MC 15 MC 45 | 380/50/3 380/50/3 | 630124 05 630124 05 | 670002 12 670002 12 | 620233 00 620300 06 | ***** 620413 00 | 650105 00 650105 00 |