

Зип Общепит

vsezip.ru

DESPIECE TECNICO / SPARE PARTS BOM

+7(812)987-08-81

**Hornos a gas
Fours à gaz
Gas ovens
Gas heissluftdämpfer
Forni a gas
Fornos a gás**

Modelos / Models:

**AG-201
ACG-201
APG-201**

Septiembre 2012 September

Revisado Abril 2016 Abril Revised

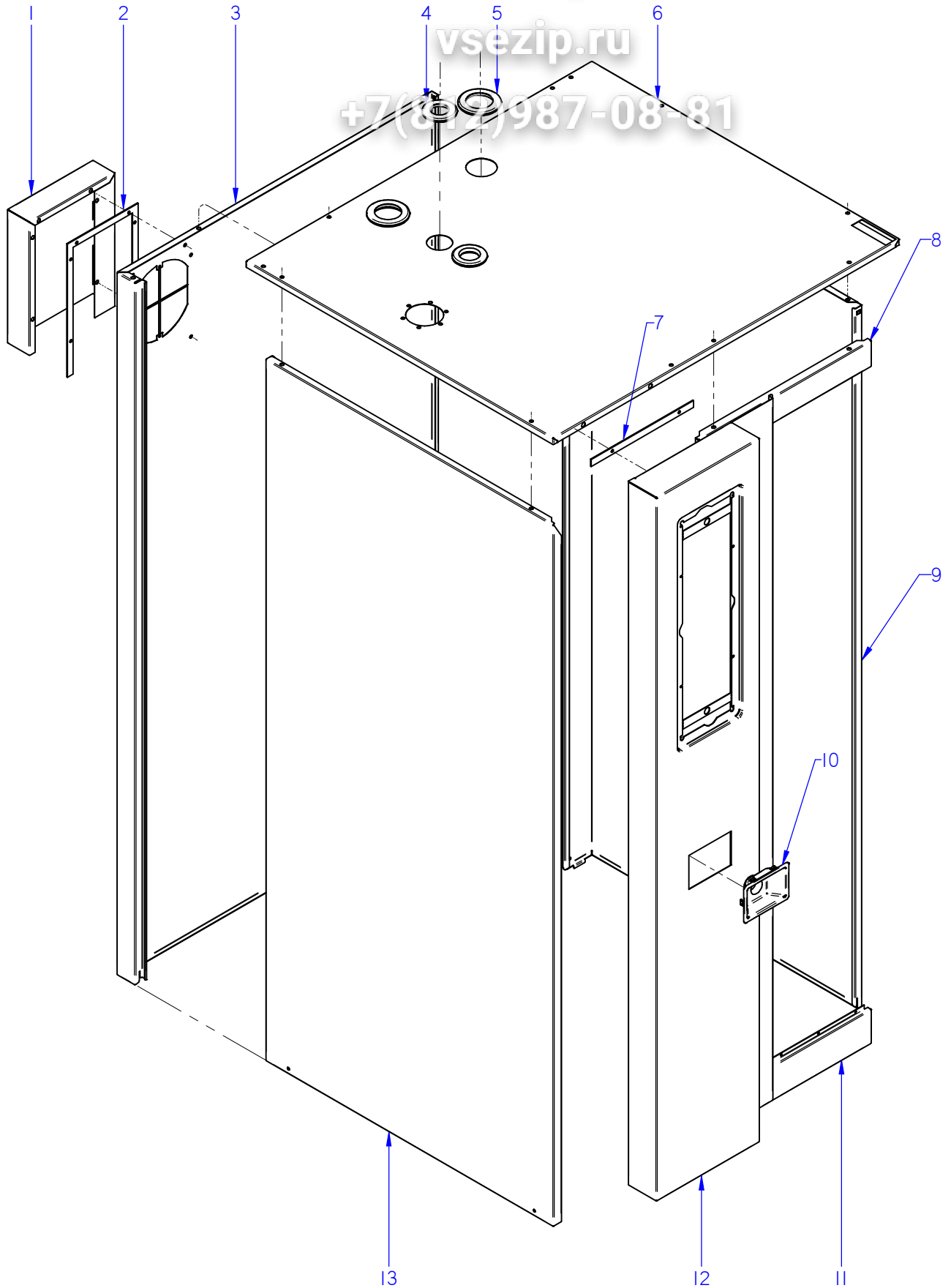


F A G O R I N D U S T R I A L

Зип Общепит

vsezip.ru

+7(812)987-08-81



ITEM MARCADO EN COLOR = REPUESTO RECOMENDADO
COLOURED ITEM = RECOMMENDED SPARE PART

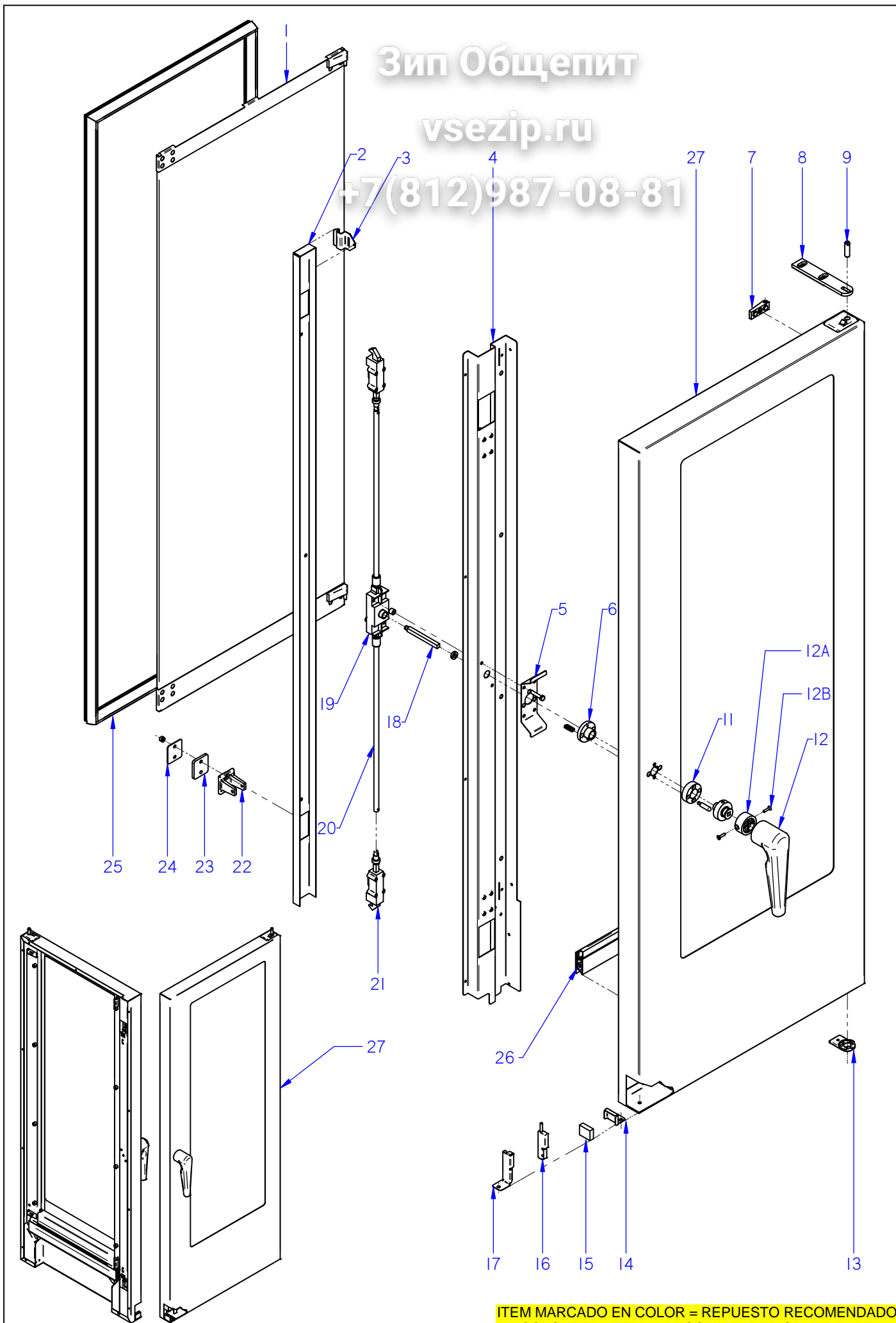
Nº plano / N° plane	Firma	Fecha / Date	Denominación / Denomination:	MUEBLE / UNIT	Lamina / Sheet	Fagor Industrial S.Coop. FAGOR
C-3072	<i>(Signature)</i>	2012-09	HORNOS AG; ACG; APG-201		1	Oñate

MOD.		HORNOS / OVEN		ZONA / ZONE			MUEBLE / UNIT		
ITEM	CODIGO REFERENCE	DENOMINACION	DENOMINATION	ACG-201	AG-201	APG-201			
1	12022557	CHAPA SEPARACI. IPX5 20 SOLD.	SEPARAT. PLATE IPX5 20 WEL.	1	1	1			
2	12024081	JUNTA IPX5 20-21	SEAL IPX5 20-21	1	1	1			
3	12041103	PANEL POSTERIOR 201 ADV	REAR PANEL 201 ADV	1	1	1			
4	12039535	PASAMUROS Ø 38	Ø 38 BUSHING	2	2	2			
5	12024231	PASAMUROS CHIMENEA 101003361	FEED THROUGH FLUE PIPE 10100336	2	2	2			
6	12044454	PANEL SUPERIOR SOL. ACG 201	TOP PANEL ACG 201 SOLDIER	1	-	-			
6	12044427	PANEL SUPERIOR SOLD. AG 201	TOP PANEL AG 201 SOLDIER	-	1	1			
7	12041319	JUNTA PORTAMANDOS 201 ADV	CONTROL PANEL SEAL 201 ADV	1	1	1			
8	12041125	PANEL FRONTAL SUPE. 201 ADV	UPPER FRONT PANEL 201 ADV	1	1	1			
9	12041123	PANEL EXTERIOR DCHO 201 ADV	RIGHT PANEL 201 ADV	1	1	1			
10	12041736	EMBELLECEDOR DUCHA AD	SHOWER TRIM AD	1	1	1			
11	12041126	PANEL FRONTAL INFER. 201 ADV	LOWER FRONT PANEL 201 ADV	1	1	1			
12	12095164	PANEL PORTAMANDOS AC 201	CONTROL PANEL AC 201	1	-	-			
12	12135173	KIT PORTAMANDO 201 ACE	CONTROL PANEL 201 ACE	1	-	-			
12	12043844	PANEL PORTAMANDOS APE 201	CONTROL PANEL APE 201	-	1	1			
12	12135172	KIT PORTAMANDO 201 ADV-PL.	CONTROL PANEL 201 ADV-PL.	-	1	1			
13	12041157	PANEL EXT. IZQUIERDO 201 ADV	REAR LEFT PANEL 201 ADV	1	1	1			

Зип Общепит

vsezip.ru

+7(812)987-08-81



ITEM MARCADO EN COLOR = REPUESTO RECOMENDADO
COLOURED ITEM = RECOMMENDED SPARE PART

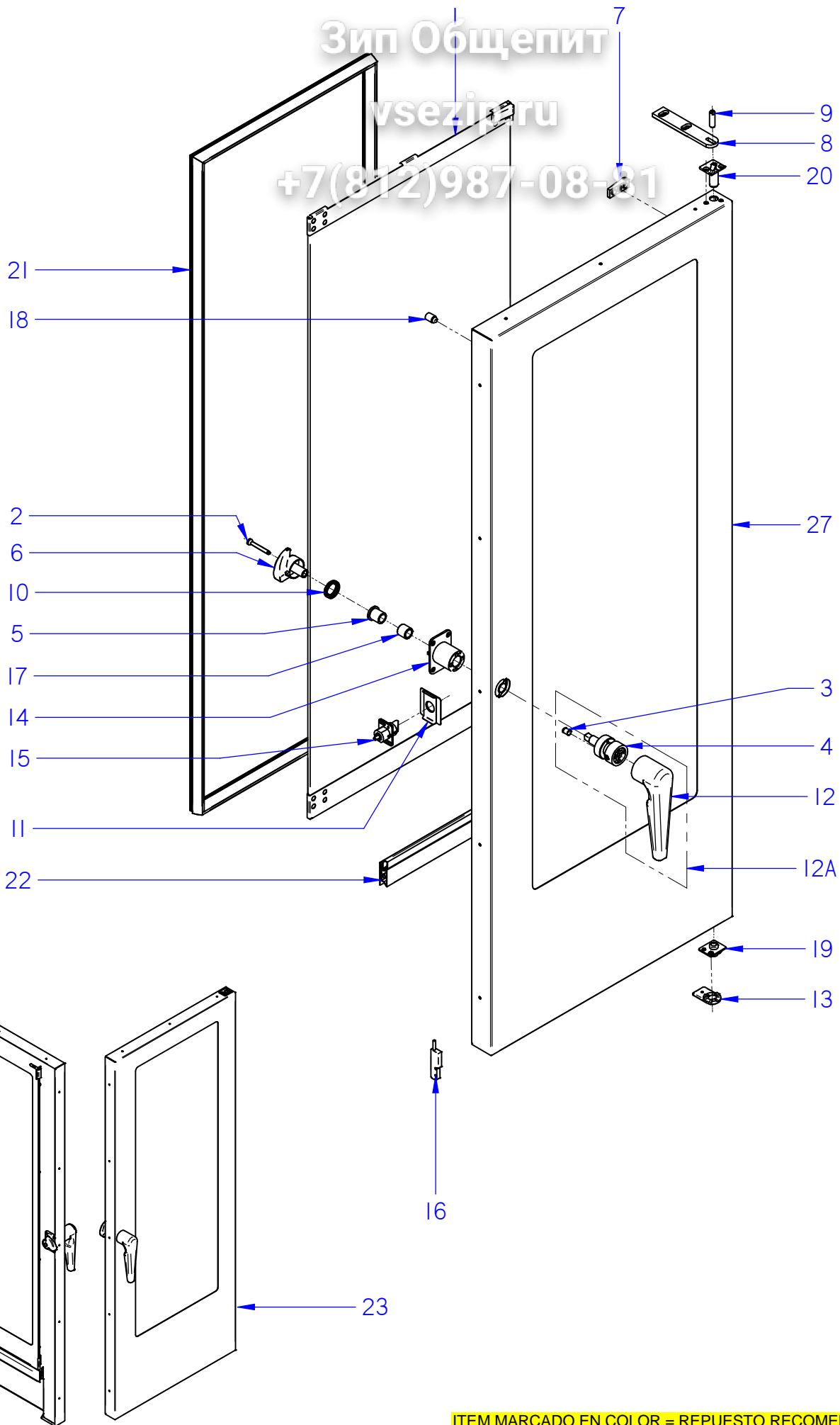
Nº plano / N° plane	Firma	Fecha / Date	Denominación / Denomination:	PUERTA / DOOR	Lamina / Sheet	Fagor Industrial S.Coop. FAGOR
C-3073	<i>(Signature)</i>	2012-09	HORNOS AG; ACG; APG-201		2	Oñate

MOD.		HORNOS / OVEN		ZONA / ZONE		PUERTA (HASTA 06-2014) / DOOR (UNTIL 06-2014)				
ITEM	CODIGO REFERENCE	DENOMINACION	DENOMINATION	ACG-201	AG-201	APG-201				
1	12041083	KIT CRISTAL INTER. 201	201 INNER GLASS KIT	1	1	1				
2	12039324	TAPA CIERRE PUERTA 202	DOOR CLOSING COVER 202	1	1	1				
3	12024319	PESTILLO	INNER GLASS HINGE	2	2	2				
4	12039302	CONTRAPUERTA MANILLA 202	COMPLETE HANDLE DOOR 202	1	1	1				
5	12039326	SUPLEMENTO SUJ. CERRADURA	LOCK FIXING SUPPLEMENT	1	1	1				
6	12024389	GUIA MANILLA	HANDLE GUIDE	1	1	1				
7	12024402	BASE DE BISAGRA	HINGE BASE	2	2	2				
8	12039312	BISAGRA SUPERIOR	UPPER HINGE	1	1	1				
9	12023636	EJE SUPERIOR	UPPER SHAFT	1	1	1				
11	12024505	SOPORTE RESORTE	SPRING HOLDER	1	1	1				
12	12044776	ASA COMPLETA 2/1 ADVANCE	HANDLE 2/1 ADVANCE	1	1	1				
12A	12102288	INSERTO AMARRE	FASTENING INSERT	1	1	1				
12B	12010262	TORNILLO AVELLANADO M4X15	COUNTERSUNK SCREW M4x15	2	2	2				
13	12039311	BASE BISAGRA INFERIOR PUERTA	LOWER DOOR HINGE BASE	1	1	1				
13	12047967	BASE BISAGRA INFERIOR 6 DIEN	LOWER HINGE BASE	1	1	1				
14	12022049	SOPORTE IMAN	MAGNET HOLDER	1	1	1				
15	12024384	IMAN	MAGNET	1	1	1				
16	12024560	INTERRUPTOR MAGNETICO AC	MAGNETIC SWITCH AC	1	1	1				
17	12022166	SOPORTE MICRO PUERTA	DOOR MICRO SWITCH	1	1	1				
18	12024799	EJE DE MANILLA PUERTA	LEVER SHAFT	1	1	1				
19	12024673	MECANISMO CIERRE	CLOSING MECHANISM	1	1	1				
20	12039308	TUBO ALARGADERA 201/202 ADV	ROD 201/202 ADV	2	2	2				
21	12024657	ELEMENTO CIERRE	CLOSING COMPONENT	2	2	2				
22	12024495	ENGANCHE PUERTA	FASTENER	2	2	2				
23	12024380	SUPLEMENTO ENGANCHE	FASTENER SUPPLEMENT	2	2	2				
24	12022138	CALZO DE ENGANCHE	COUPLING CHOCK	4	4	4				
25	12041134	JUNTA PUERTA COMPL.201 ADV	DOOR JOINT 201 ADV	1	1	1				
26	12041088	JUNTA CIERRE INFERIOR 201	LOWER LOCK JOINT 201	1	1	1				
27	12046022	KIT PUERTA 201	DOOR 201 KIT	1	1	1				

Зип Общепит

vsezip.ru

+7(812)987-08-81



ITEM MARCADO EN COLOR = REPUESTO RECOMENDADO
COLOURED ITEM = RECOMMENDED SPARE PART

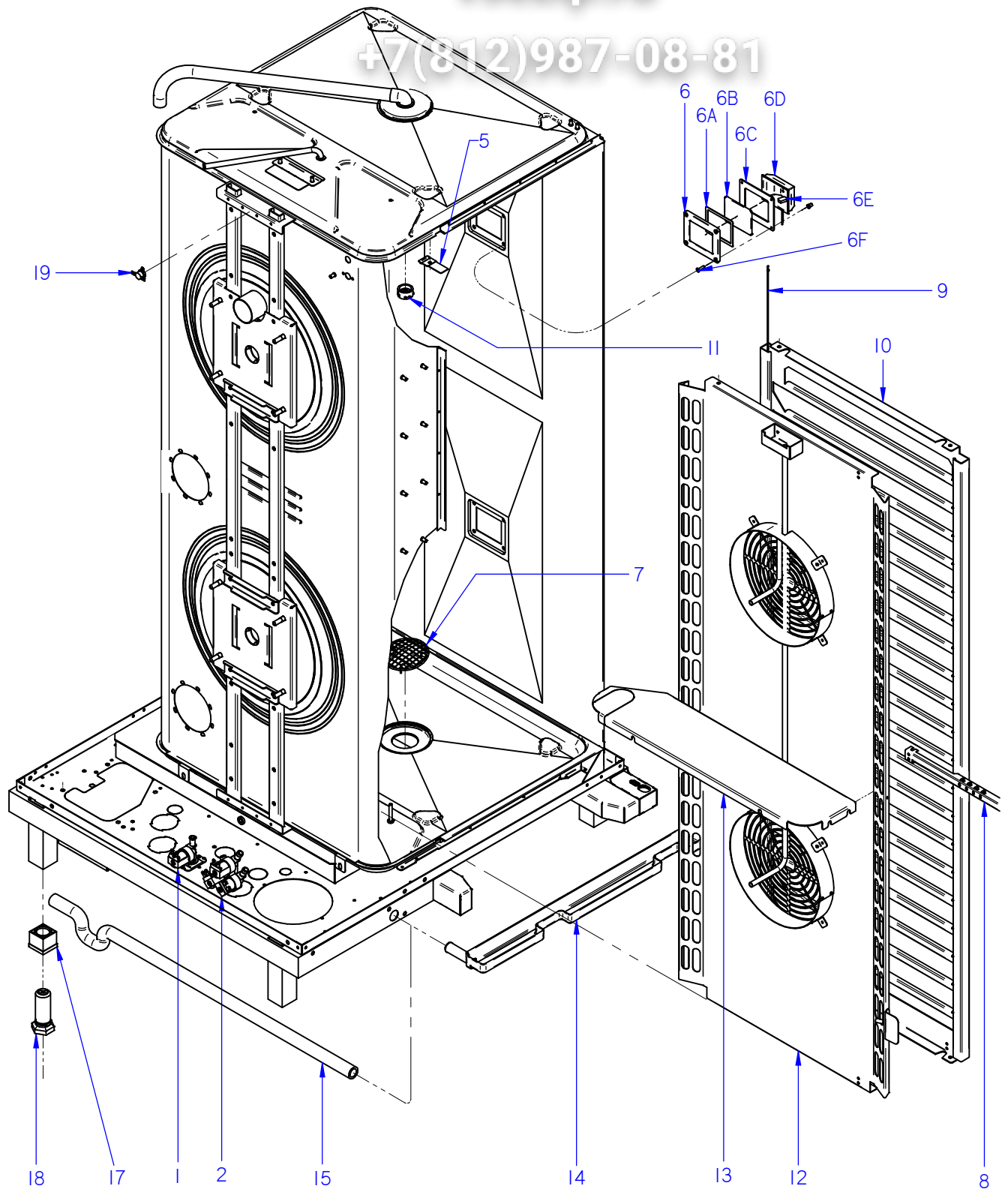
Nº plano / Drawing N.	Firma / Signature	Fecha / Date	Denominación / Denomination:	Lamina / Sheet	Fagor Industrial S.Coop. FAGOR
C-3073-14	Iban R.	03-2016	PUERTA / DOOR HORNOS AG; ACG; APG-201	2-14	Oñate

MOD.		HORNOS / OVEN		ZONA / ZONE		PUERTA (DESDE 06-2014) / DOOR (FROM 06-					
ITEM	CODIGO REFERENCE	DENOMINACION	DENOMINATION	ACG-201	AG-201	APG-201					
1	12041083	KIT CRISTAL INTER. 201	201 INNER GLASS KIT	1	1	1					
2	12097552	TORNILLO AVELLANADO M6x50	COUNTERSAUNK SCREW M6x50	1	1	1					
3	12049719	POSICIONADOR DE BOLA MUELLE	BALL-SPRING FIXER	1	1	1					
4	12131277	KIT INSERTOS ASA 20X	KIT HANDLE INSERTS 20X	1	1	1					
5	12025100	CASQUILLO SELFOIL 16-22-25	SELFOIL BUSHING 16-22-25	1	1	1					
6	12049692	LEVA CIERRE UNICO 20X ADV	SINGLE LOCK CAM 20X ADV	1	1	1					
7	12024402	BASE DE BISAGRA	HINGE BASE	2	2	2					
8	12039312	BISAGRA SUPERIOR	UPPER HINGE	1	1	1					
9	12023636	EJE SUPERIOR	UPPER SHAFT	1	1	1					
10	12093685	MUELLE LEVA PUERTA ADVANCE	CAM SPRING ADVANCE DOOR	1	1	1					
11	12094299	TAPA PESTILLO PUERTA COMPLETA	COMPL. DOOR BOLT COVER	1	1	1					
12	12044773	ASA ADVANCE	ADVANCE HANDLE	1	1	1					
12A	12135274	REP. ASA COMP. 20X CIERRE UNICO	SPARE SINGLE LOCK 20X HANDLE	1	1	1					
13	12047967	BASE BISAGRA INFERIOR 6 DIEN	LOWER HINGE BASE	1	1	1					
14	12049691	SOPORTE MANILLA 20X	20X HANDLE SUPPORT	1	1	1					
15	12113376	MOD PITON PUERTA	DOOR BOLT MODULE	1	1	1					
16	12024560	INTERRUPTOR MAGNETICO AC	MAGNETIC SWITCH AC	1	1	1					
17	12097533	CASQUILLO SELFOIL TIPOA 16-22-20	SELFOIL BUSHING 16-22-20	1	1	1					
18	12024794	TOPE CRISTAL INTERIOR	INNER GLASS BLOCK	9	9	9					
19	12049660	BISAGRA INF. 202 ADV 6 DIENTES	LOWER HINGE 202 ADV. 6 TEETH	1	1	1					
20	12049282	BISAGRA SUP. 202 TOPE ALTO	TOP HINGE 202	1	1	1					
21	12041134	JUNTA PUERTA COMPL.201 ADV	DOOR JOINT 201 ADV	1	1	1					
22	12041088	JUNTA CIERRE INFERIOR 201	LOWER LOCK JOINT 201	1	1	1					
23	12097686	KIT PUERTA 201 CIERRE UNICO	SINGLE LOCK DOOR 201 KIT	1	1	1					

Зип Ощепит

vsezip.ru

+7(812)987-08-81



ITEM MARCADO EN COLOR = REPUESTO RECOMENDADO
COLOURED ITEM = RECOMMENDED SPARE PART

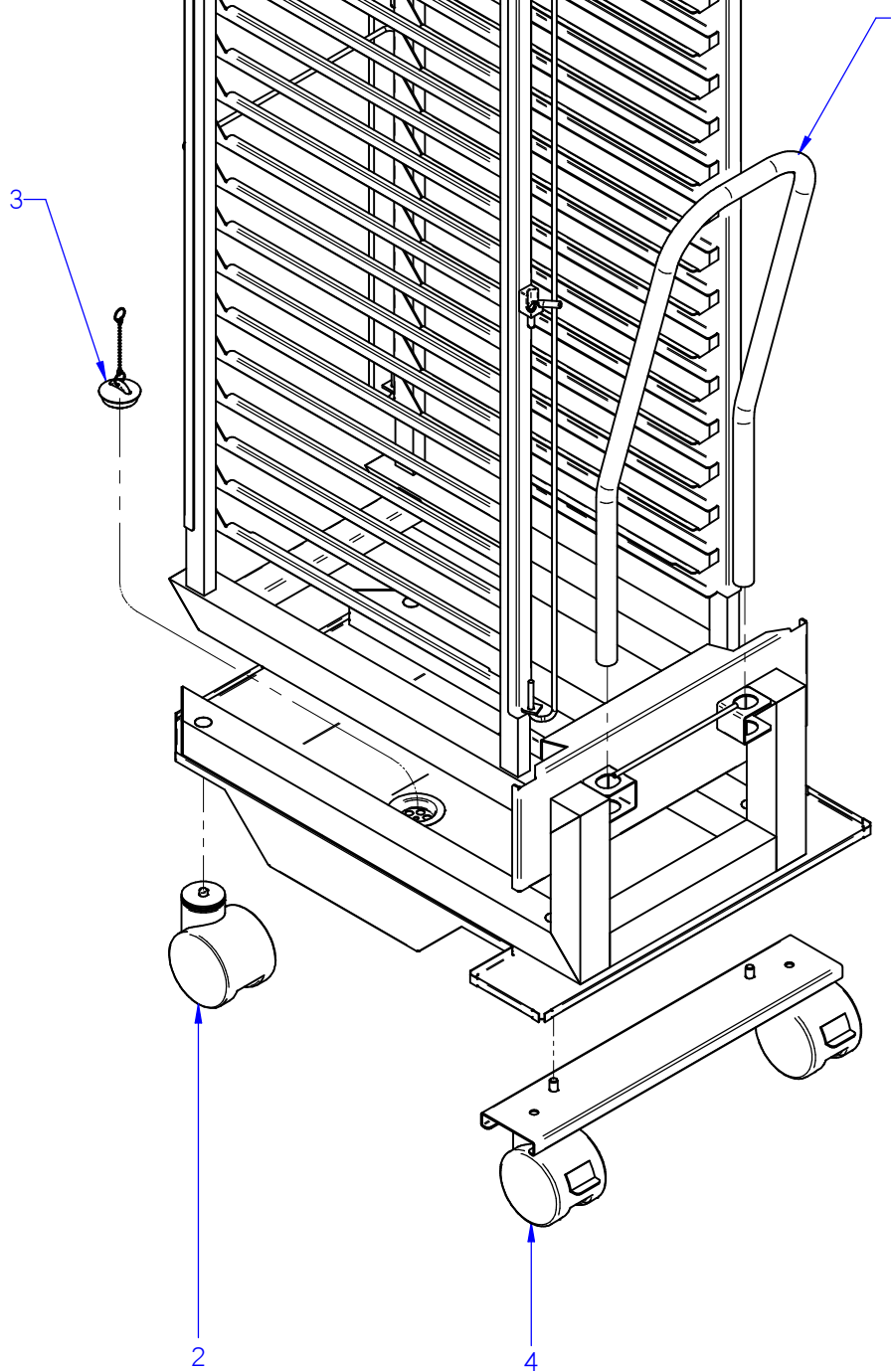
Nº plano / N° plane	Firma	Fecha / Date	Denominación / Denomination:	MUEBLE INTERIOR / INTERIOR OVEN	Lamina / Sheet	Fagor Industrial S.Coop. FAGOR
C-3074	Iban R.	03-2015	HORNOS AG; ACG; APG-201	3	Oñate	

MOD.		HORNOS / OVEN		ZONA / ZONE		MUEBLE INTERIOR / INTERIOR OVEN					
ITEM	CODIGO REFERENCE	DENOMINACION	DENOMINATION	ACG-201	AG-201	APG-201					
1	12025161	E.V. 230VAC 50/60Hz 1V	SOLENOID VALVE 230VAC 1 W	1		1					
2	12023794	E.V. 230VAC 50/60Hz 2V	SOLENOID VALVE 230VAC 2 W	1	1						
2	12115418	E.V. 230VAC 50/60Hz 3V	SOLENOID VALVE 230VAC 3 W		1	1					
5	12041767	SOPORTE SONDA PINCHO CAMARA	CAMERA PROBE SUPP. PINCHO	1	1	1					
6	12024464	MARCO LAMPARA	LAMP ANCHORING PLATEN	2	2	2					
6A	12023532	JUNTA INTERIOR LAMPARA	LAMP INNER JOINT	2	2	2					
6B	12023668	CRISTAL LAMPARA	LAMP GLASS	2	2	2					
6C	12023578	JUNTA EXTERIOR LAMPARA	LAMP OUTER JOINT	2	2	2					
6D	12024545	PORTALAMPARAS	LAMP HOLDER	2	2	2					
6E	12025123	LAMPARA 10W-12V	LIGHT 10W 12V	2	2	2					
6F	12010262	TORNILLO AVELLANADO M4X15	COUNTERSUNK SCREW M.4x15	8	8	8					
7	12020331	FILTRO DESAGÜE 201	DRAINAGE FILTER 201	1	1	1					
7	12095042	FILTRO DESAGÜE Ø53	DRAINAGE FILTER Ø53	1	1	1					
8	12126827	SOPORTE CORE HOLDER	CORE HOLDER SUPPORT	1							
9	12039490	TOPE BANDEJAS 101-102	TRAY TOP 101-102	4							
10	12126823	PORTABANDEJAS IZDA 201 ACG	ACG 201 LEFT HOLDER	1							
10	12126822	PORTABANDEJAS DCHA 201 ACG	ACG 201 RIGHT HOLDER	1							
11	12023935	PUNTA DIFUSORA LAVADO	WASHING DISPENSER POINT			1					
11	12129275	PUNTA DIFUSORA ACLARADO	RINSING DISPENSER POINT	1	1						
12	12126836	CUBREVENTILADOR 201 ADV	FAN COVER 201 ADV	1							
12	12126837	CUBREVENTILADOR 201 ADV	FAN COVER 201 ADV		1	1					
13	12041119	CHAPA REFUERZO CUBA AE 201	CUBA REINFOR. PLATE AE 201	1	1	1					
14	12039467	RECOGEAGUAS HORNO 201	SPRING WATER COLLE. 201	1							
15	12039498	TUBO RECOGEAGUAS 101	COLLECT WATER PIPE 101	1							
	12009628	ABRAZADERA ELAST. 26.7-28.1	SPRING CLAMP 26.7-28.1	2							
17	12043392	TUERCA PATA 202 ADVANCE	NUT LEG 202 ADVANCE	4	4	4					
18	12043393	TORNILLO PATA 202 ADVANCE	SCREW LEG 202 ADVANCE	4	4	4					
19	12095019	TERMOSTATO_261_NA_51°C	THERMOSTAT_261_NA_51°C	1	1						

Зип Общепит

ysezip.ru

+7(812)987-08-81



ITEM MARCADO EN COLOR = REPUESTO RECOMENDADO
COLOURED ITEM = RECOMMENDED SPARE PART

Nº plano / N° plane	Firma	Fecha / Date	Denominación / Denomination:	CARRO / TROLLEY	Lamina / Sheet	Fagor Industrial S.Coop. FAGOR
C-3075	Iban R	06-2015	HORNOS AG; APG-201	4	Oñate	

Зип Общепит

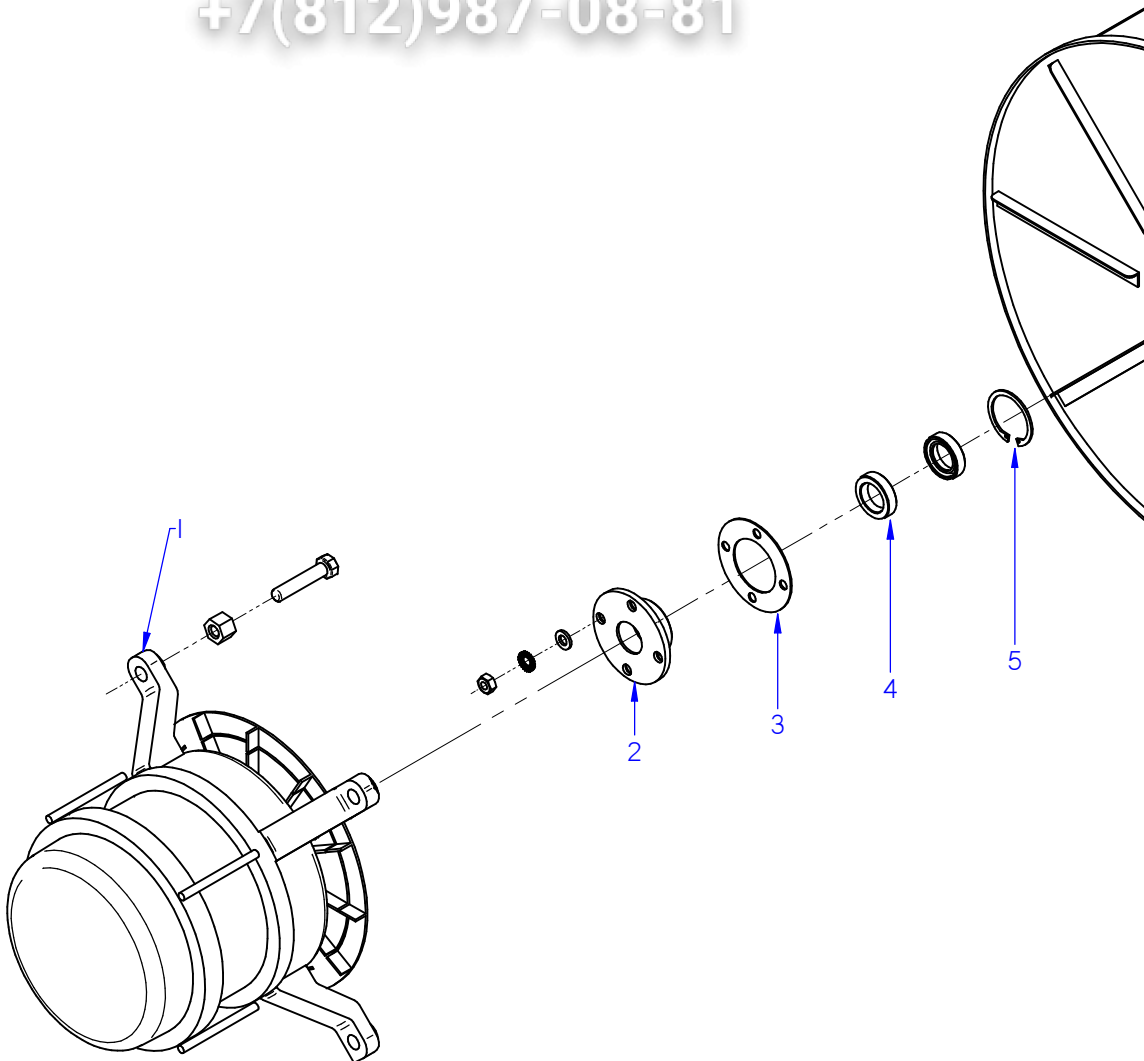
MOD.	HORNOS / OVEN	ZONA / ZONE	CARRO / TROLLEY
-------------	----------------------	--------------------	------------------------

ITEM	CODIGO REFERENCE	DENOMINACION	DENOMINATION	AG-201	APG-201					
	12041135	CARRO 201 ADVANCE	TROLLEY 201 ADVANCE	1	1					
1	12041148	ASA COMPLETA CARRO 201 ADV	HANDLE FULL 201 ADV	1	1					
2	12045315	RUEDA GIRATORIA SIN FRENO	SWIVEL WHEEL WITHOUT BR.	2	2					
3	12024275	TAPON Ø44	CAP Ø44	1	1					
4	12045312	KIT RUEDA GIRATORIA CON FRENO	SWIVEL WHEEL WITH BRAKE KIT	1	1					

Зип Общепит

vsezip.ru

+7(812)987-08-81



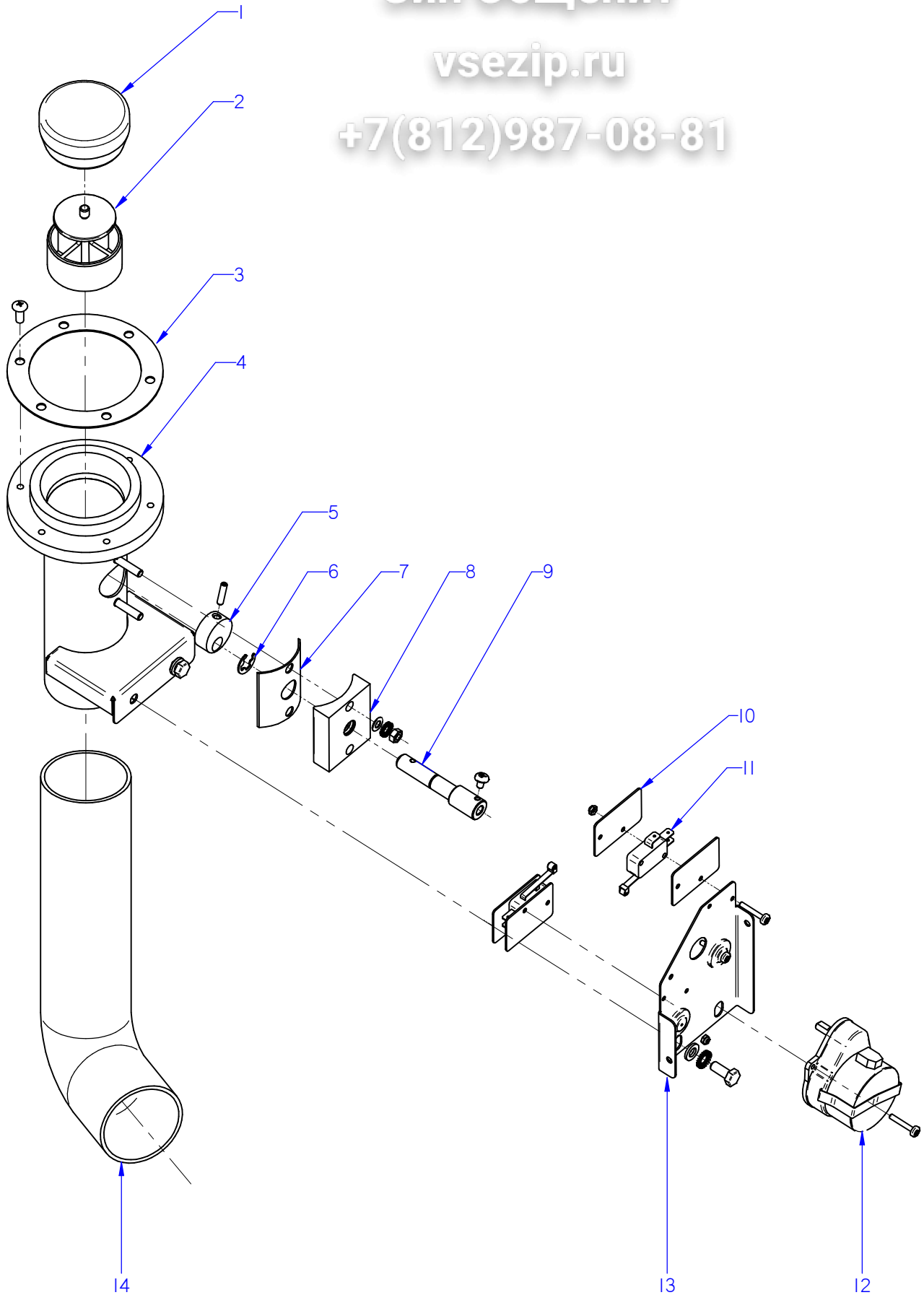
ITEM MARCADO EN COLOR = REPUESTO RECOMENDADO
COLOURED ITEM = RECOMMENDED SPARE PART

Nº plano / N° plane C-3076	Firma <i>(Signature)</i>	Fecha / Date 2012-09	Denominación / Denomination: HORNS AG; ACG; ARG-201	Lamina / Sheet 5	Fagor Industrial S.Coop. Орште
			TURBINA / TURBINE		FAGOR

Зип Общепит

vsezip.ru

+7(812)987-08-81



ITEM MARCADO EN COLOR = REPUESTO RECOMENDADO
COLOURED ITEM = RECOMMENDED SPARE PART

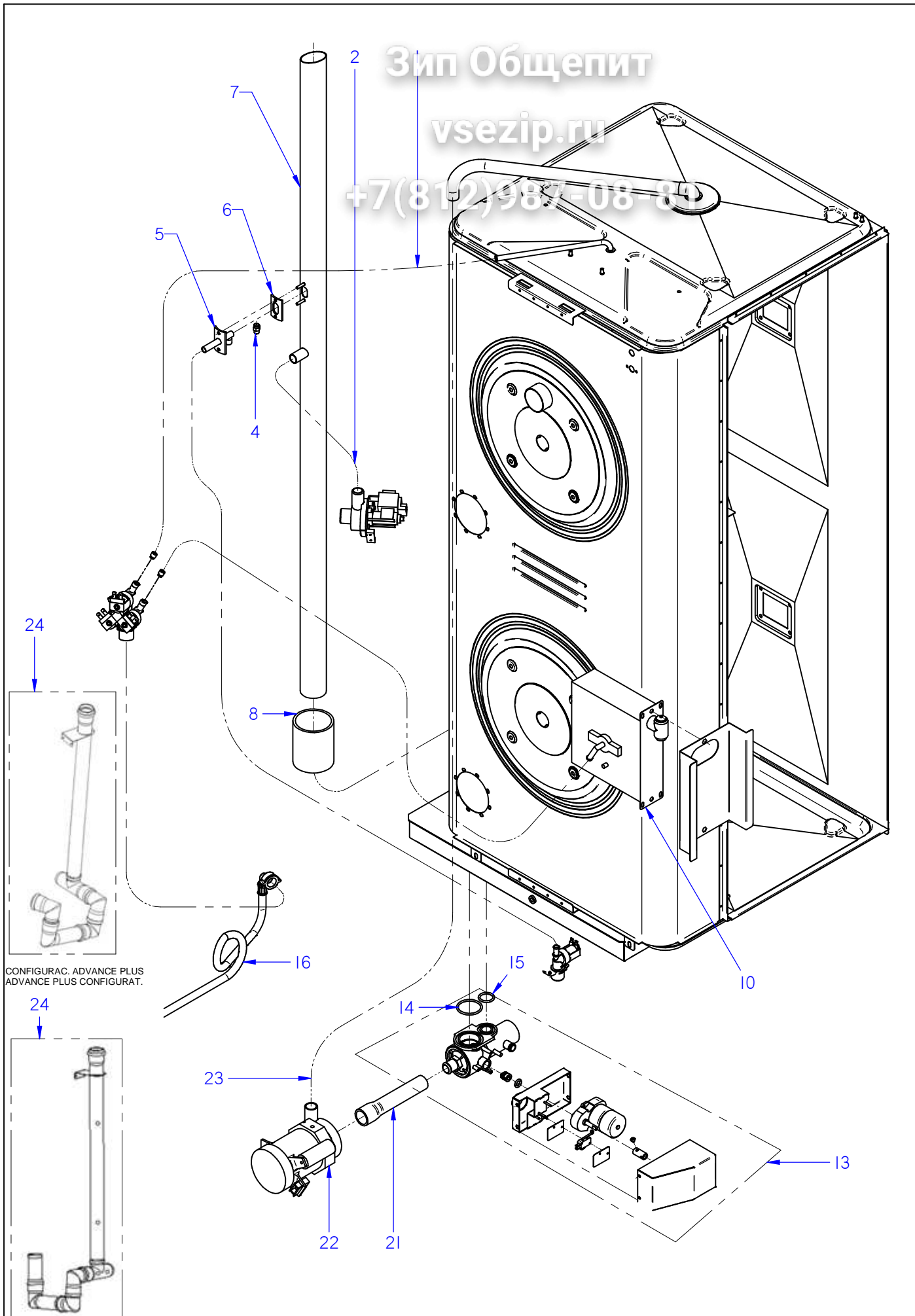
Nº plano / N° plane	Firma	Fecha / Date	Denominación / Denomination:	CHIMENEA / FLUEPIPE	Lamina / Sheet	Fagor Industrial S.Coop. FAGOR
C-3077	<i>(Signature)</i>	2012-09	HORNOS AG; ACG; APG-201		6	Oñate

MOD.		HORNOS / OVEN	ZONA / ZONE	CHIMENEA / FLUEPIPE								
ITEM	CODIGO REFERENCE	DENOMINACION	DENOMINATION	ACG-201	AG-201	APG-201						
1	12024520	RETENCION DE VAPORES	CLOSE CHIMNEY	1	1	1						
2	12024500	GUIA RETENCION VAPORES	STEAM RETAINER GUIDE	1	1	1						
3	12023576	JUNTA BASE CHIMENEA	FLUEPIPE BASE SEAL	1	1	1						
S/Nº	12095516	JUNTA TORICA 5x1	O-RING 5x1	6	6	6						
4	12022868	CONJUNTO CHIMENEA	COMPLETE CHIMNEY	1	1	1						
4	12104226	CONJUNTO CHIMENEA	COMPLETE CHIMNEY	1	1	1						
5	12024328	LEVA EJE CHIMENEA	FLUEPIPE SHAFT CAM	1	1	1						
6	12010014	ARANDELA DE SEGURIDAD Ø8	SAFETY WASHER Ø8	1	1	1						
7	12023497	JUNTA EJE CHIMENEA	FLUEPIPE SHAFT SEAL	1	1	1						
8	12024436	GUIA EJE CHIMENEA	FLUEPIPE SHAFT GUIDE	1	1	1						
8	12098396	GUIA EJE CHIMENEA	FLUEPIPE SHAFT GUIDE	1	1	1						
S/Nº	12010274	JUNTA TORICA 9.19x2.62	O-RING 9.19x2.62	1	1	1						
9	12024435	EJE CHIMENEA ELECTRICA	ELECTRIC FLUEPIPE SHAFT	1	1	1						
9	12104228	EJE CHIMENEA ELECTRICA	ELECTRIC FLUEPIPE SHAFT	1	1	1						
10	12009985	PLACA SEPARADORA	SPACER PLATE	4	4	4						
11	12025193	INTERRUPTOR PUERTA	DOOR SWITCH	2	2	2						
12	12024638	MOTOR CHIMENEA	FLUEPIPE MOTOR	1	1	1						
13	12022146	ESCUA. AMARRE MOTOR CHIMEN.	FLUEPIPE MOTOR FASTENING BRAC	1	1	1						
14	12024122	TUBO FLEXIBLE Ø53X360	FLEXIBLE TUBE Ø53X360	1	1	1						
	12009962	ABRAZADERA 40*60	CLAMP 40*60	2	2	2						

Зип Общепит

vsezip.ru

+7(812)987-08-89



CONFIGURAC. ADVANCE PLUS
ADVANCE PLUS CONFIGURAT.

CONFIGURAC. ADVANCE / CONCEPT
ADVANCE / CONCEPT CONFIGURAT.

ITEM MARCADO EN COLOR = REPUESTO RECOMENDADO
COLOURED ITEM = RECOMMENDED SPARE PART

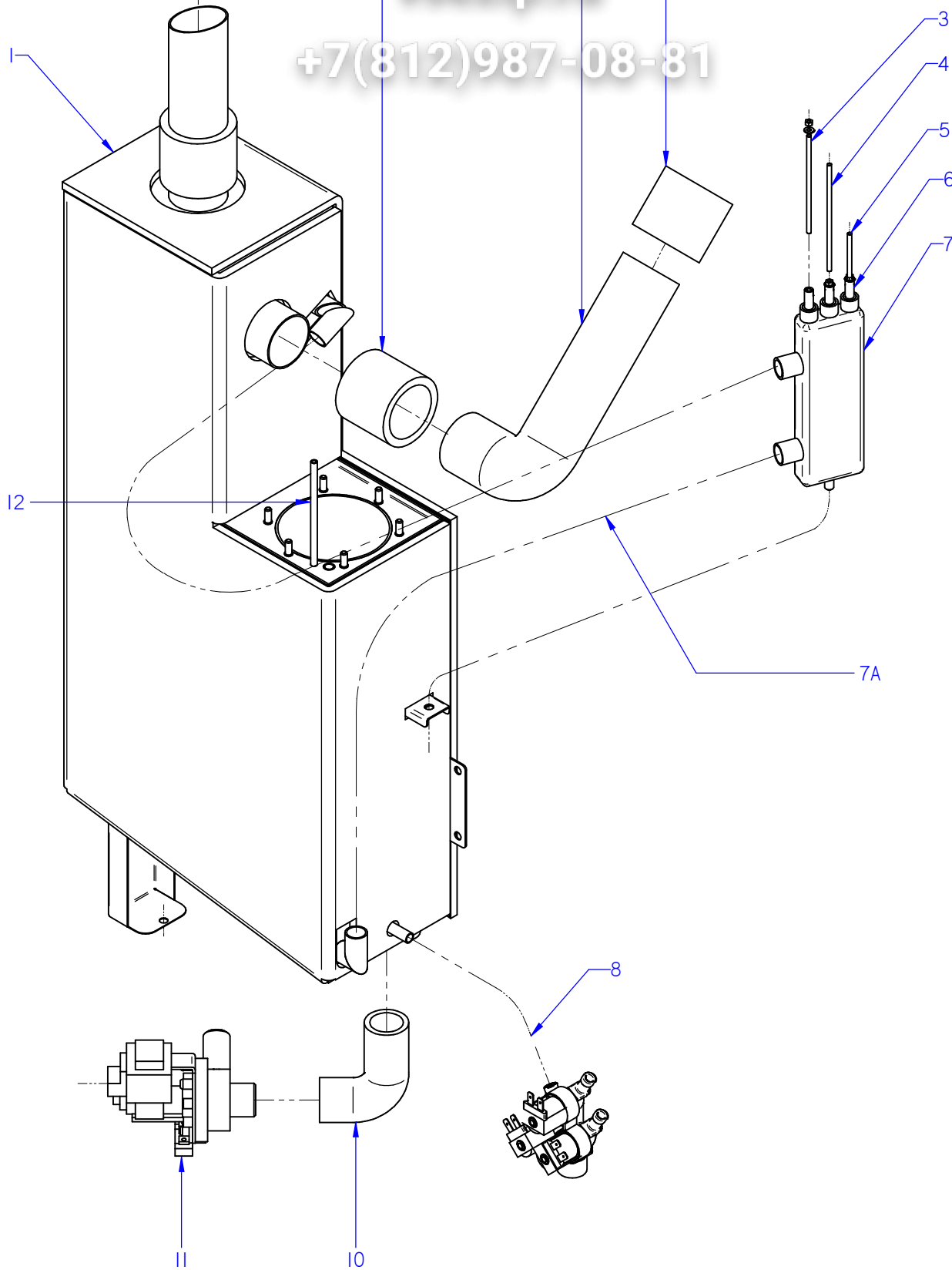
Nº plano / N° plane	Firma	Fecha / Date	Denominación / Denomination:	CONDUCCIONES DE AGUA / WATER PIPES	Lamina / Sheet	Fagor Industrial S.Coop. FAGOR
C-3078	Iban R.	03-2016	HORNOS AG; ACG; APG-201		7	Oñate

MOD.	HORNOS / OVEN	ZONA / ZONE	CONDUCCIONES DE AGUA / WATER PIPE							
ITEM	CODIGO REFERENCE	DENOMINACION	DENOMINATION	ACG-201	AG-201	APG-201				
1	11000083	T. GOMA NEGRA Ø17*10	BLACK RUBBER PIPE Ø17*10	3	3	3				
	12010036	ABRAZADERA 12*20	CLAMP 12-20	6	10	8				
2	11000157	TUBO SILIC. ALTA Tª D26*18	HIGH TEMP. SILIC. HOSE D26*18	-	2	2				
	12009628	ABRAZAD. ELASTICA 26,7*28,1	ELAST. CLAMP 26,7*28,1	-	1	1				
4	12024000	TOBERA 1/8	NOZZLE 1/8	1	1	1				
4	12049131	BOQUILLA 1/8M-B-1-3	INJECTOR 1/8M-B-1-3	1	1	1				
5	12039468	CONDUCC. VAHOS COMPLETO	COMPLETE VAPOUR DUCT	1	1	1				
6	12023605	JUNTA TUBO INYECTOR	INJECTOR PIPE SEAL	1	1	1				
7	12043995	CHIMENEA COMPLETA 201 ACE	COMPL. FLUEPIPE 201 ACE	1	-	-				
7	12041127	CHIMENEA COMPLETA 201 ADV	COMPLET FLUEPIPE 201 ADV	-	1	1				
8	12047901	EMPALME SILICONA Ø53	SILICONE JOINT Ø53	1	1	1				
	12007943	ABRAZADERA ELASTICA 62*66	ELAST. CLAMP 62*66	2	2	2				
10	12040977	DUCHA	SHOWER	-	1	1				
13	12126816	KIT VALVULA DESAGUE ADVAN.	VALVE DRAIN ADVANCE KIT	-	-	1				
14	12010081	JUNTA TORICA Ø52X3,5	O-RING Ø52X3.5	-	-	1				
15	12010131	JUNTA TORICA Ø33x3,5	O-RING Ø33x3.5	-	-	1				
16	12025198	MANGUERA ENTRADA AGUA	WATER INLET HOSE	1	1	1				
21	12024407	GOMA VALVULA BOMBA GAS	PUMP VALVE RUBBER	-	-	1				
	12010023	ABRAZADERA 20-32	CLAMP 20-32	-	-	1				
	12009997	ABRAZADERA 25-40	CLAMP 25-40	-	-	1				
22	12024782	MOTOBOMBA 230V AC 1N 50Hz	MOTOR 230V AC 1N 50Hz 74,6	-	-	1				
S/Nº	12024463	CONDENSADOR ELEC. 250V VDE	CONDENSER ELEC. 250V VDE	1	1	1				
23	11000005	TUBO SILIC. ALTA Tª D31*23	HIGH TEMP. SILIC. HOSE D31*23	-	-	2				
24	12047404	MOD CONJUNTO DESAGUE ADV	ADV DRAIN SET MODEL	1	1	1				

Зип Обществит

vsezip.ru

+7(812)987-08-81



ITEM MARCADO EN COLOR = REPUESTO RECOMENDADO
COLOURED ITEM = RECOMMENDED SPARE PART

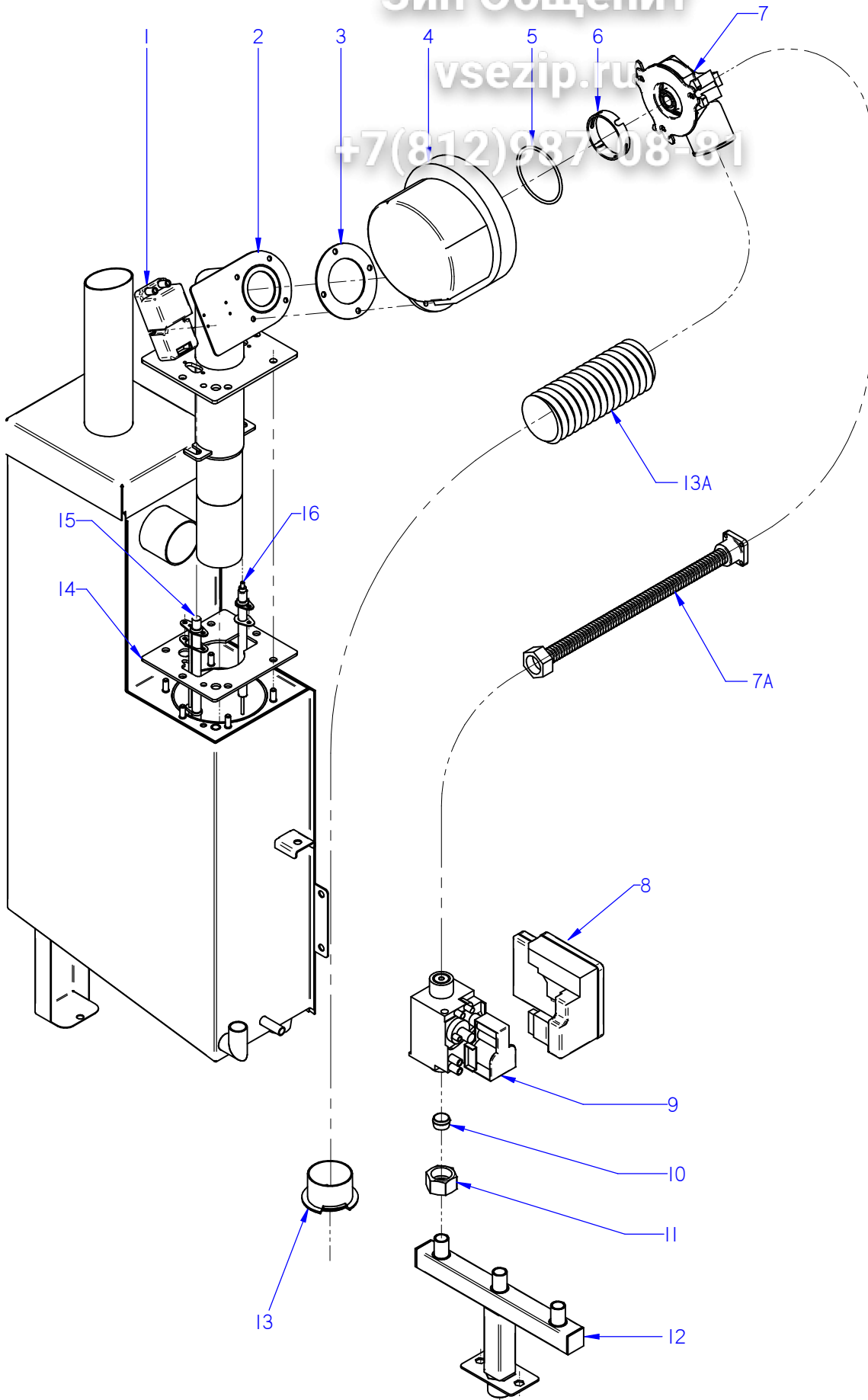
Nº plano / N° plane C-3079	Firma <i>(Signature)</i>	Fecha / Date 04-2016	Denominación / Denomination: CIRCUITO DE VAPOR / STEAM CIRCUIT HORNOS AG; APG-201	Lamina / Sheet 8	Fagor Industrial S.Coop. FAGOR Oñate
--------------------------------------	-----------------------------	--------------------------------	---	----------------------------	--

MOD.		HORNOS / OVEN		ZONA / ZONE		CIRCUITO DE VAPOR / STEAM CIRCUIT							
ITEM	CODIGO REFERENCE	DENOMINACION	DENOMINATION	AG-201	APG-201								
1	12046107	KIT GENERADOR VAPOR 201	STEAM GENERATOR 201 KIT	1	1								
2	12041855	TUBO FLEXIBLE Ø53X360 VARILLA	FLEXIBLE TUBE Ø53X360	1	1								
2	12047890	EMPALME GENERADOR AG 201	GENERATOR JOINT AG 201	1	1								
2A	12047901	EMPALME SILICONA Ø53	SILICONE JOINT Ø53	2	2								
	12009962	ABRAZADERA 40-60	CLAMP 40-60	2	2								
3	12023573	ELECTRODO ALTO	HIGH LEVEL ELECTRODE	1	1								
4	12023574	ELECTRODO BAJO	LOW LEVEL ELECTRODE	1	1								
5	12023575	ELECTRODO DE MASA	EARTH ELECTRODE	1	1								
6	12024460	GUIA AISLANTE	INSULATION GUIDE	3	3								
7	12024419	BOTE DE NIVELES	LEVELS VESSEL	1	1								
7	12113061	BOTE DE NIVELES	LEVELS VESSEL	1	1								
7A	11000157	TUBO SILICONA Tº Ø 26*18	HIGH SILICON PIPE Tº Ø 26*18	2	2								
	12009628	ABRAZADERA ELASTICA 26,7*28,1	ELAST. CLAMP 26,7*28,1	4	4								
8	11000083	T. GOMA NEGRA Ø17*10	BLACK RUBBER PIPE Ø17*10	1	1								
	12010036	ABRAZADERA 12*20	CLAMP 12-20	2	2								
10	12039649	TUBO DESAGÜE GENERADOR	DRAIN TUBE GENERATOR	1	1								
	12009997	ABRAZADERA 25-40	CLAMP 25-40	2	2								
11	12039546	MOTOBOMBA 230V AC 1N 50/60Hz	PUMP 230V AC 50/60Hz 30W 1N	1	1								
12	12023901	CONJUN. TERMOPAR VAPOR	STEAM THERMOCOUPLE UNIT	1	1								

Зип Общепит

vsezip.ru

+7(812)987-008-81



ITEM MARCADO EN COLOR = REPUESTO RECOMENDADO
COLOURED ITEM = RECOMMENDED SPARE PART

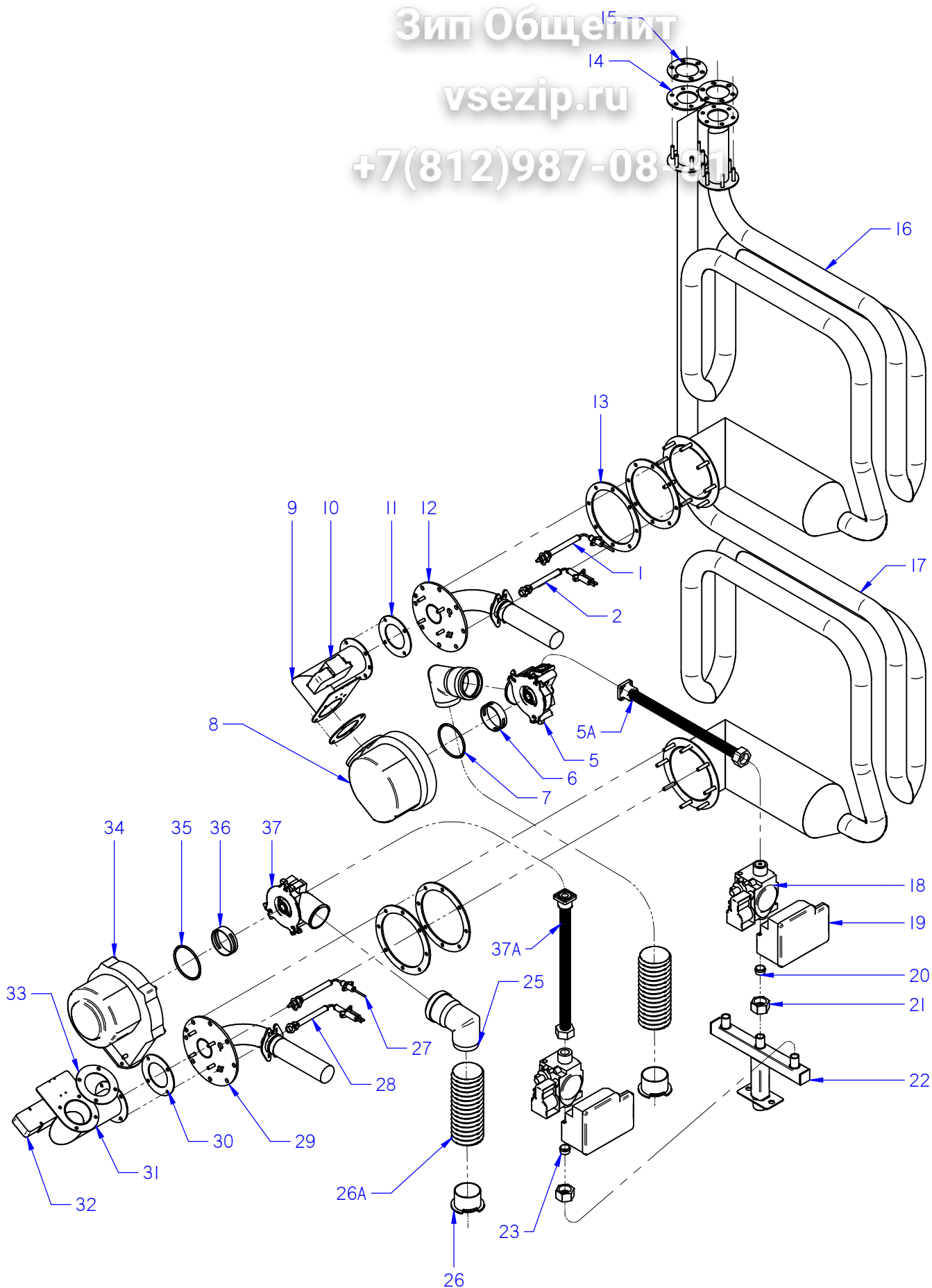
Nº plano / N° plane	Firma / Signature	Fecha / Date	Denominación / Denomination: FUNC. GAS GENERADOR / FUNCT. GAS GENERATOR	Lamina / Sheet	Fagor Industrial S.Coop. FAGOR
C-3080	Iban R.	2014-09	HORNOS AG; APG-201	9	Oñate

MOD.		HORNOS / OVEN		ZONA / ZONE		FUNCIONAL GAS GENERADOR FUNCTIONAL GAS GENERATOR					
ITEM	CODIGO REFERENCE	DENOMINACION	DENOMINATION	AG-201	APG-201						
1	12039544	CHISPA BRAHMA	BRAHMA SPARK	1	1						
2	12044424	QUEMADOR GENERADOR 201G	BURNER GENERATOR 201G	1	1						
3	12045252	JUNTA ACOP.SOPLANTE GRAFITO	JOINT COJ. GRAPHITE BLOWER	1	1						
4	12044607	SOPLANTE NRG 118 55kw	BLOWER NRG 118 55kw	1	1						
5	12009940	JUNTA TORICA114x3	O-RING 114x3	1	1						
6	12044292	ARO VENTURI VERDE	GREEN RING VENTURI	1	1						
7	12039540	MIXER COMPLETO	MIXER COMPLETE	1	1						
S/Nº	12041612	JUNTA TORICA 63X3	O-RING 63X3	1	1						
7A	12040731	TUBO GAS FLEXIBLE 900-90º	FLEXIBLE GAS PIPE 900-90º	1	1						
8	12039440	CAJA CONTROL DBC 579	DBC CONTROL BOX 579	1	1						
9	12046364	VALVULA REGUL 50HZ ADV	ADV 50HZ VALVE CONTROLL.	1	1						
9	12046365	VALVULA REGUL 60HZ ADV	ADV 60HZ VALVE CONTROLL.	1	1						
10	12045672	TOBERA Ø 5,4 BP	NOZZLE Ø 5,4 BP	1	1						
10		GN (SIN INYECTOR)	(WITHOUT INJECTOR)GN	1	1						
11	12048850	TUERCA G 3/4	NUT G 3/4	1	1						
12	12041051	ENTRADA GAS CO. ADV 202 SUB	ADV GAS INLET ADV 202 SUB	1	1						
S/Nº	12008775	BICONO Ø16	BICONE Ø16	1	1						
13	12039679	AMARRE TUBOS AIRE	MOORING PIPES AIR	1	1						
13A	11000232	TUBO AIRE VULCANO PUZ 50	AIR TUBE VULCANO PUZ 50	1	1						
14	12044286	JUNTA QUEMADOR GENERA 102	GENERATOR GASKET BURNER	1	1						
15	12039430	BUJIA GENERADOR 202	PLUG GENERATOR 202	1	1						
S/Nº	12039587	JUNTA BUJIA GENERADOR 06/101	PLUG BOARD GENERATOR 06/101	1	1						
	12010244	TUERCA EXAGONAL M4 LATON	HEXAGONAL NUT M4 BRASS	2	2						
16	12039431	DETECTOR GENERADOR 202	GENERATOR SENSOR 202	1	1						
S/Nº	12039450	JUNTA BUJIA CONVECCION 102	SPARK CONVECTI. BOARD 102	1	1						

Зип Обществит

vsezip.ru

+7(812)987-08-91



ITEM MARCADO EN COLOR = REPUESTO RECOMENDADO
COLOURED ITEM = RECOMMENDED SPARE PART

Nº plano / N° plane	Firma	Fecha / Date	Denominación / Denomination: FUNC. GAS CONVECCION / FUNCT. GAS CONVECTION	Lamina / Sheet	Fagor Industrial S.Coop. FAGOR
C-3081	Iban R.	2014-09	HORNOS AG; ACG; APG-201	10	Oñate

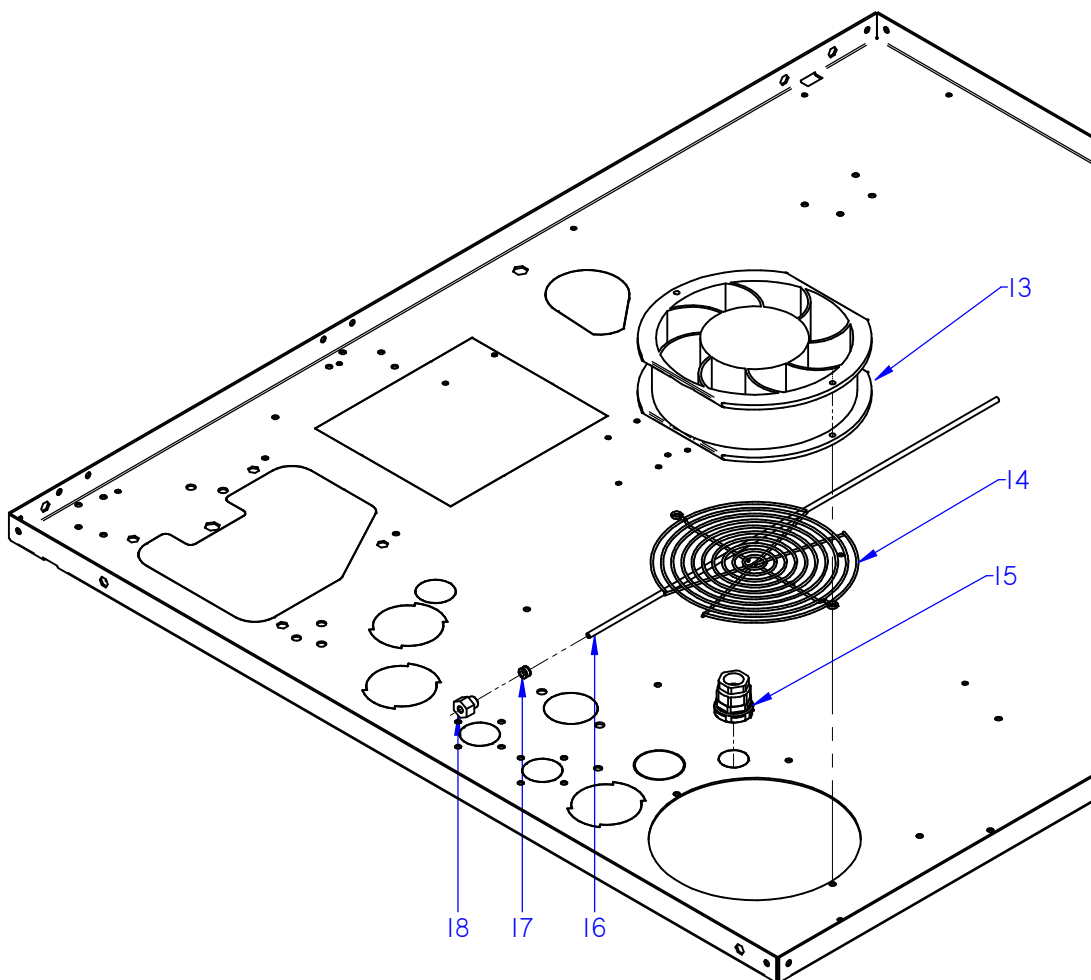
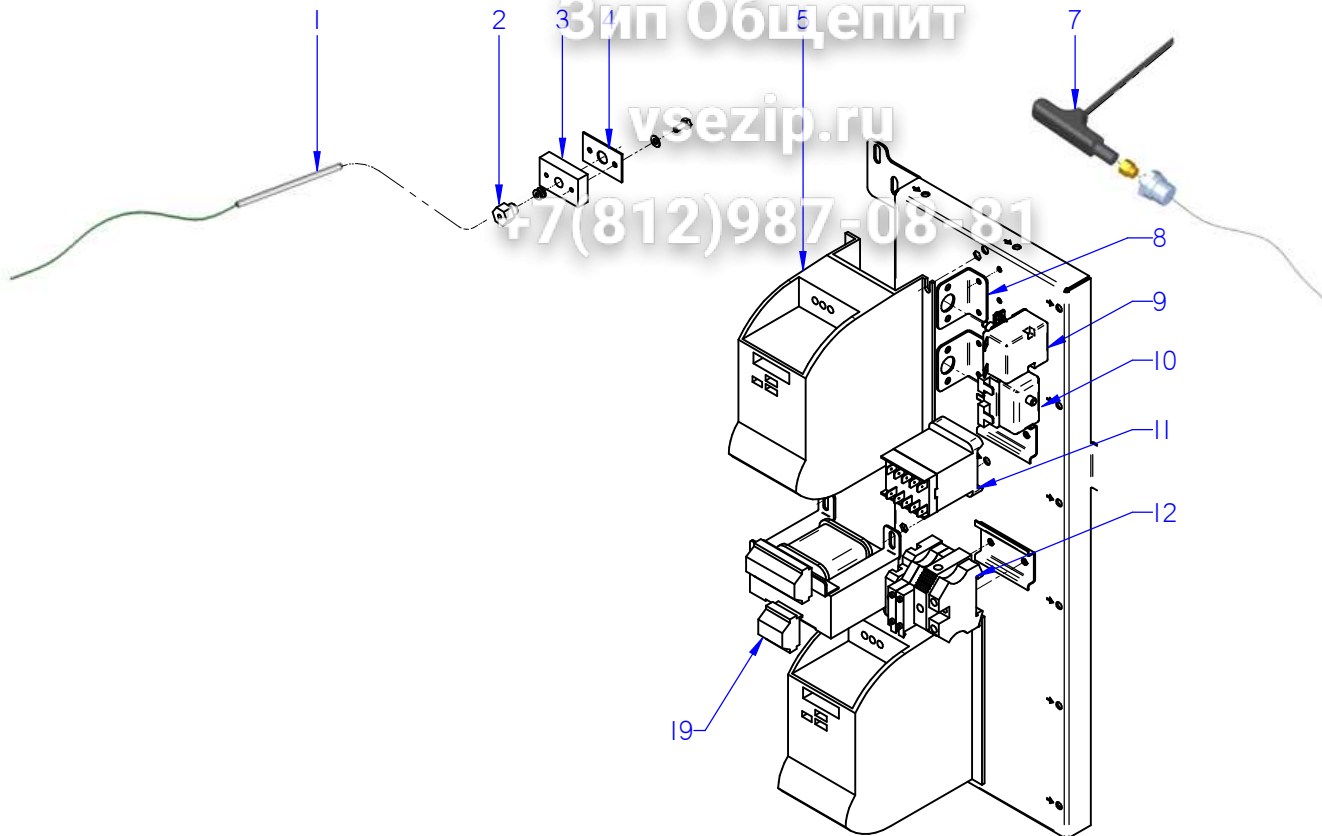
MOD.		HORNOS / OVEN		ZONA / ZONE		FUNCIONAL GAS CONVECCION FUNCTIONAL GAS CONVECTION					
ITEM	CODIGO REFERENCE	DENOMINACION	DENOMINATION	ACG-201	AG-201	APG-201					
1	12039685	DETECTOR CONVECCION 061	CONVECTION DETECTOR 061	1	1	1					
S/Nº	12039450	JUNTA BUJIA CONVECCION 102	PLUG BOARD CONVECTION 102	1	1	1					
2	12039684	BUJIA CONVECCION 061	SPARK CONVECTION 061	1	1	1					
S/Nº	12039449	102 JUNTA BUJIA CONVECCION	102 SPARK CONVECTI. BOARD	1	1	1					
3	12044447	TUBO DESAGUE ADV 01	DRAIN PIPE ADV 01	1	1	1					
4	12045252	JUNTA ACOP.SOPLANTE GRAFITO	JOINT COU. GRAPHITE BLOWER	1	1	1					
5	12039540	MIXER COMPLETO	MIXER COMPLETE	1	1	1					
S/Nº	12041612	JUNTA TORICA 63X3	O-RING 63X3	1	1	1					
5A	12040731	TUBO GAS FLEXIBLE 900-90º	FLEXIBLE GAS PIPE 900-90º	1	1	1					
6	12039541	ARO VENTURI ROJO	RED RING VENTURI	1	1	1					
7	12009940	JUNTA TORICA114x3	O-RING 114x3	1	1	1					
8	12044607	SOPLANTE NRG 118 55kw	BLOWER NRG 118 55kw	1	1	1					
9	12039560	CAMARA SILENCIADOR 101	CHAMBER MUFFLER 101	1	1	1					
10	12039544	CHISPA BRAHMA	BRAHMA SPARK	1	1	1					
11	12045252	JUNTA ACOP.SOPLANTE GRAFITO	JOINT COU. GRAPHITE BLOWER	1	1	1					
12	12039556	QUEMADOR CONVECCION 101	BURNER CONVECTION 101	1	1	1					
13	12039559	JUNTA AMARRE QUEMADOR 101	BURNER TIE BOARD 101	2	2	2					
14	12039474	JUNTA SALIDA INTERCAMBOR 201	OUTPUT BOARD EXCHANG. 201	1	1	1					
15	12039517	AMARRE SALIDA CUERPO INT 101	INSIDE OUT BODY TIE 101	1	1	1					
16	12039473	INTERCAMB. CALOR SUPER. 201	TOP HEAT EXCHANGER 201	1	1	1					
17	12040734	INTERCAMBIAD. CALOR INFERIOR 201	BOTTOM HEAT EXCHANGER 201	1	1	1					
18	12046364	VALVULA REGUL 50HZ ADV	ADV 50HZ VALVE CONTROLL.	2	2	2					
18	12046365	VALVULA REGUL 60HZ ADV	ADV 60HZ VALVE CONTROLL.	2	2	2					
19	12039440	CAJA CONTROL DBC 579	DBC CONTROL BOX 579	2	2	2					
20	12045675	TOBERA Ø 5,2 BP	NOZZLE Ø 5,2 BP	1	1	1					
20	12045677	TOBERA Ø 7,5 GN	NOZZLEØ 7,5 GN	1	1	1					
21	12048850	TUERCA G 3/4	NUT G 3/4	2	2	2					
22	12044366	ENTRADA GAS CO. ACG 202 SUB	GAS INLET ACG 202 SUB	1	-	-					
22	12041051	ENTRADA GAS CO. ADV 202 SUB	GAS INLET ADV 202 SUB	-	1	1					

MOD.		HORNOS / OVEN	ZONA / ZONE	FUNCIONAL GAS CONVECCION FUNCTIONAL GAS CONVECTION					
ITEM	CODIGO REFERENCE	DENOMINACION	DENOMINATION	ACG-201	AG-201	APG-201			
23	12045675	TOBERA Ø 5,2 BP	NOZZLE Ø 5,2 BP	1	1	1			
23	12039569	TOBERA Ø7 GN	NOZZLE Ø7 GN	1	1	1			
24	12039559	JUNTA AMARRE QUEMADOR 101	BURNER TIE BOARD 101	2	2	2			
25	12044447	TUBO DESAGUE ADV 01	DRAIN PIPE ADV 01	1	1	1			
26	12039679	AMARRE TUBOS AIRE	MOORING PIPES AIR	2	2	2			
26A	11000232	TUBO AIRE VULCANO PUZ 50	AIR TUBE VULCANO PUZ 50	2	2	2			
27	12039685	DETECTOR CONVECCION 061	CONVECTION DETECTOR 061	1	1	1			
S/Nº	12039450	JUNTA BUJIA CONVECCION 102	PLUG BOARD CONVECTION 102	1	1	1			
28	12039684	BUJIA CONVECCION 061	SPARK CONVECTION 061	1	1	1			
S/Nº	12039449	102 JUNTA BUJIA CONVECCION	102 SPARK CONVECTI. BOARD	1	1	1			
29	12039556	QUEMADOR CONVECCION 101	BURNER CONVECTION 101	1	1	1			
30	12045252	JUNTA ACOP.SOPLANTE GRAFITO	JOINT COU. GRAPHITE BLOWER	1	1	1			
31	12039560	CAMARA SILENCIADOR 101	CHAMBER MUFFLER 101	1	1	1			
32	12039544	CHISPA BRAHMA	BRAHMA SPARK	1	1	1			
33	12045252	JUNTA ACOP.SOPLANTE GRAFITO	JOINT COU. GRAPHITE BLOWER	1	1	1			
34	12044607	SOPLANTE NRG 118 55kw	BLOWER NRG 118 55kw	1	1	1			
35	12009940	JUNTA TORICA114x3	O-RING 114x3	1	1	1			
36	12039541	ARO VENTURI ROJO	RED RING VENTURI	1	1	1			
37	12039540	MIXER COMPLETO	MIXER COMPLETE	1	1	1			
S/Nº	12041612	JUNTA TORICA 63X3	O-RING 63X3	1	1	1			
37A	12039567	TUBO GAS FLEXIBLE 300-90º	FLEXIBLE GAS PIPE 300-90º	1	1	1			

Зип Ощепит

vsezip.ru

7(812)987-08-81



ITEM MARCADO EN COLOR = REPUESTO RECOMENDADO
COLOURED ITEM = RECOMMENDED SPARE PART

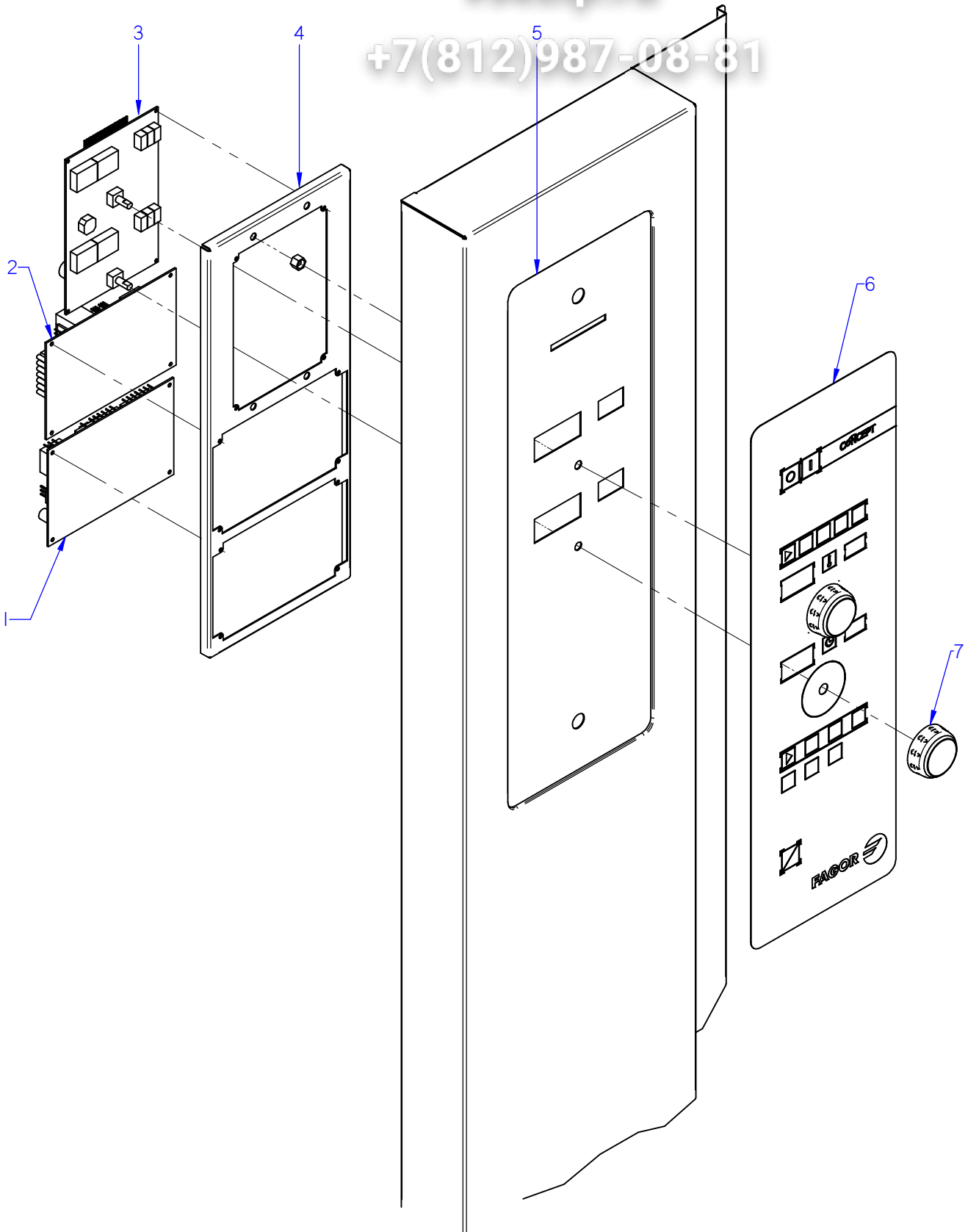
Nº plano / N° plane	Firma	Fecha / Date	Denominación / Denomination:	CUADRO ELECTRICO / ELECTRIC PANEL	Lamina / Sheet	Fagor Industrial S.Coop. FAGOR
C-3082	<i>(Signature)</i>	2012-09	HORNOS AG; ACG; APG-201	11	Oñate	

MOD.		HORNOS / OVEN		ZONA / ZONE		CUADRO ELECTRICO / ELECTRIC PANEL					
ITEM	CODIGO REFERENCE	DENOMINACION	DENOMINATION	ACG-201	AG-201	APG-201					
1	12024642	CONJUN. TERMOPAR CAMARA (Tn)	CHAM. THERMOCOUPLE UNIT (Tn)	1	1	1					
2	12023581	RACORD CIERRE SONDA	PROBE CLOSING ADAPTOR	2	2	2					
S/Nº	12024247	BICONO CIERRE SONDA	PROBE CLOSING BICONE	1	1	1					
3	12023737	BASE CIERRE SONDA	FIXING CORE PROBE	1	1	1					
4	12023504	JUNTA PASAMUROS SIMPLE	SIMPLE	1	1	1					
5	12048798	REP VARIADOR REGULADO ADV	REGULATED VARIATOR ADV	2	2	2					
7	12039548	SONDA PINCHO ADVANCE	ADVANCE PROBE PINCHO	1	1	1					
	12040566	CONTRATUERCA H 1/4"	COUNTERNUT H 1/4"	1	1	1					
8	12022001	SOPORTE TERMOS VAPOR	THERMOSTAT SUPPORT	2	2	2					
9	12024591	TERMOSTATO LIMITADOR 10/21	LIMITER THERMOSTAT10/21	1	1	1					
10	12024884	TERMOSTATO LIMITADOR CORTE	THERMOSTAT LIMITER	-	1	1					
11	12024011	CONTACTOR 230 V. 50-60 HZ	230 V. 50-60 HZ CONTACTOR	1	1	1					
12	12025158	BORNAS PORTA FUSIBLES	FUSE HOLDER TERMINAL	2	-	-					
S/Nº	12024152	FUSIBLE 10A Ø5MM 20X5	10A Ø5MM 20X5 FUSE	2	-	-					
12	12040888	BORNAS PORTAFUSIBLES 15A 4	FUSE HOLDER TERMINAL 15A	-	2	2					
S/Nº	12017280	FUSIBLE 15A Ø5MM 20X5	15A Ø5MM 20X5 FUSE	-	2	2					
	12024743	BORNA TIERRA 10 WPE-10103.O	EARTH TERMINAL10 WPE-10103.O	1	1	1					
	12024199	TOPE FINAL BORNA 10mm2 UL	FINAL STOP TERMINAL UL 10	1	1	1					
13	12024106	VENTILADOR 230V AC 1N 50/60Hz 36KW	FAN 230V AC 1N 50/60Hz 36KW	2	2	2					
14	12024790	PROTECCI. VENTILADOR RM-155	FAN PROTECTION RM-155	1	1	1					
15	12009966	PRENSA ESTOPAS	STUFFING BOX	1	1	1					
	12010121	CONTRATUERCA (GAES)790.1300.0	COUNTERNUT (GAES) 790.1300.0	1	1	1					
	12010046	JUNTA GOMA (GAES)	RUBBER BOARD (GAES)	1	1	1					
16	12041634	CON.TERMOPAR VAPOR (Tv)	STEAM THERMOCOUPLE UNIT (Tv)	1	1	-					
16	12044609	CONJ. TERMOPAR L425 (Tv)	L425 THERMOCOUPLE UNIT (Tv)	-	-	1					
17	12043409	BICONO CIERRE SONDA Ø4	PROBE CLOSING BICONE Ø4	1	1	1					
18	12041049	RACORD CIERRE SONDA Ø 4	PROBE CLOSING ADAPTOR Ø 4	1	1	1					
19	12024173	TRANSFORMADOR 12-0-12-0,24-0	TRANSFORMER 12-0-12-0,24-0	1	1	1					

Зип Общепит

vsezip.ru

+7(812)987-08-81



ITEM MARCADO EN COLOR = REPUESTO RECOMENDADO
COLOURED ITEM = RECOMMENDED SPARE PART

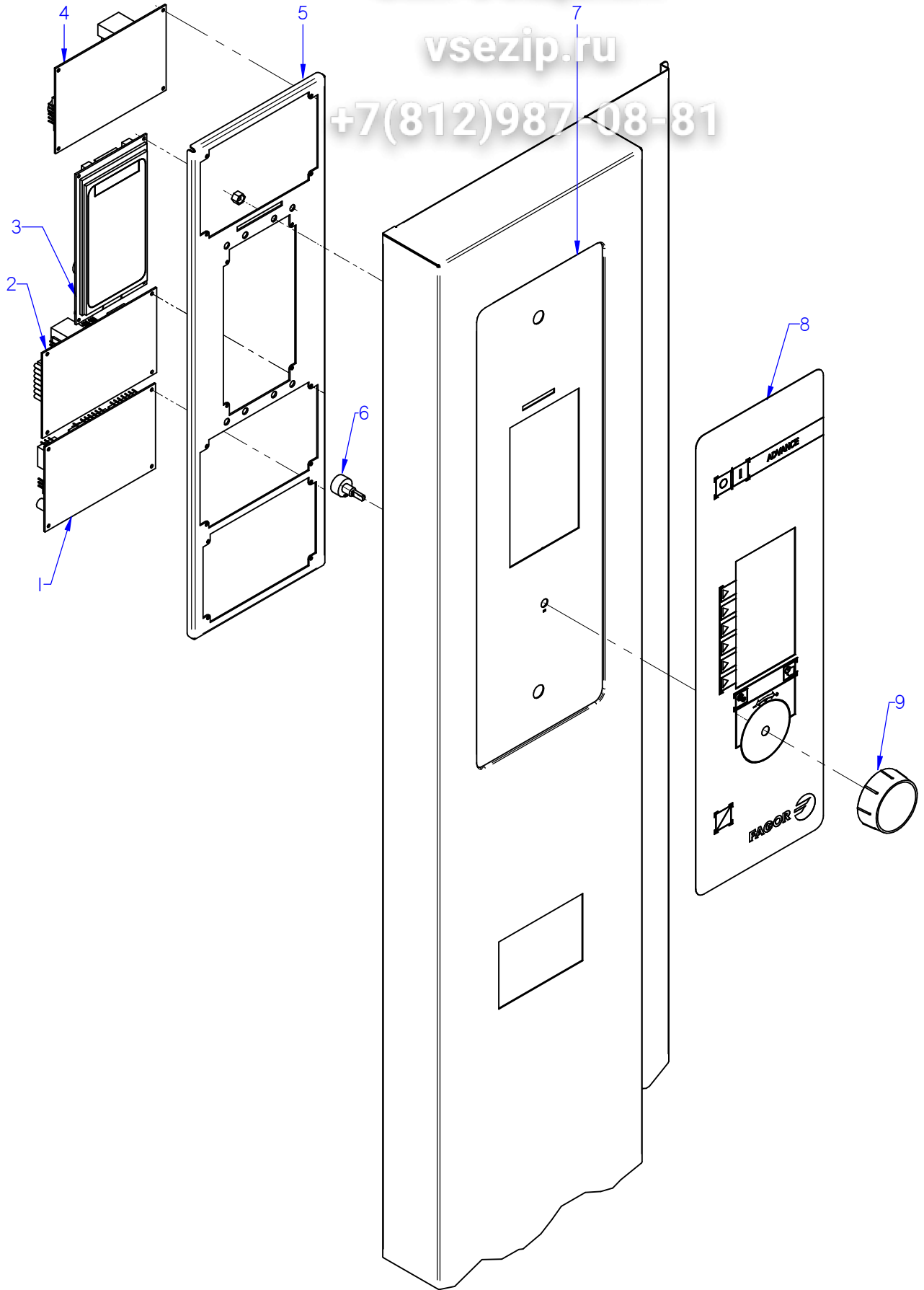
Nº plano / N° plane	Firma	Fecha / Date	Denominación / Denomination: PORTAMANDOS / CONTROL HOLDER	Lamina / Sheet	Fagor Industrial S.Coop. FAGOR
C-3083	<i>(Signature)</i>	2012-09	HORNOS ACG-201	12	Odate

MOD.		HORNOS / OVEN		ZONA / ZONE		CONJUNTO ELECTRICO PORTAMANDOS / CO HOLDER ELECTRIC UNIT				
ITEM	CODIGO REFERENCE	DENOMINACION	DENOMINATION	ACG-201						
1	12046673	CONTROL TARJETA GAS	GAS CONTROL BOARD	1						
1	12130677	TARJETA GAS GRABADA LAVADO	RECORDED GAS C. BOARD WASH	1						
2	12046659	CONTROL TARJETA CAM.12V AC .	CARD CONTROL 12V AC 50/60Hz	1						
2	12130672	TARJETA CAMARA GRAB. LAVADO	RECORD. CHAMBER CARD WASH	1						
3	12046671	VISUALIZADOR 12V AC 50/60Hz 12D	12V AC 50/60Hz 12D DISPLAY	1						
2	12130674	TARJ. PORTAM. GRABADA LAVADO	REC. COTRL PANEL CARD WASH	1						
4	12043668	SOPORTE PROGRA. CONCEPT ADV.	CIRCUIT SUPPORT CONCEPT AD	1						
5	12093219	FRENTE PORTAM. CONCEPT	CONTROL PANEL FRONT CONCEPT	1						
S/Nº	12041815	JUNTA PORTAMANDOS ADV PLUS	CONTROL PANEL SEAL ADV PLUS	1						
6	12044176	SERIGRAFIA ADV CONCEPT GAS	SERIGRAPHY ADV CONCEPT G	1						
5	12129318	SERIGRAFIA ACE-ACG	ACE-ACG SERIGRAPHY	1						
7	12046201	BOTON CONCEPT ADV	CONTROL BUTTON CONC. ADV	2						

Зип Общепит

vsezip.ru

+7(812)987 08-81



ITEM MARCADO EN COLOR = REPUESTO RECOMENDADO
COLOURED ITEM = RECOMMENDED SPARE PART

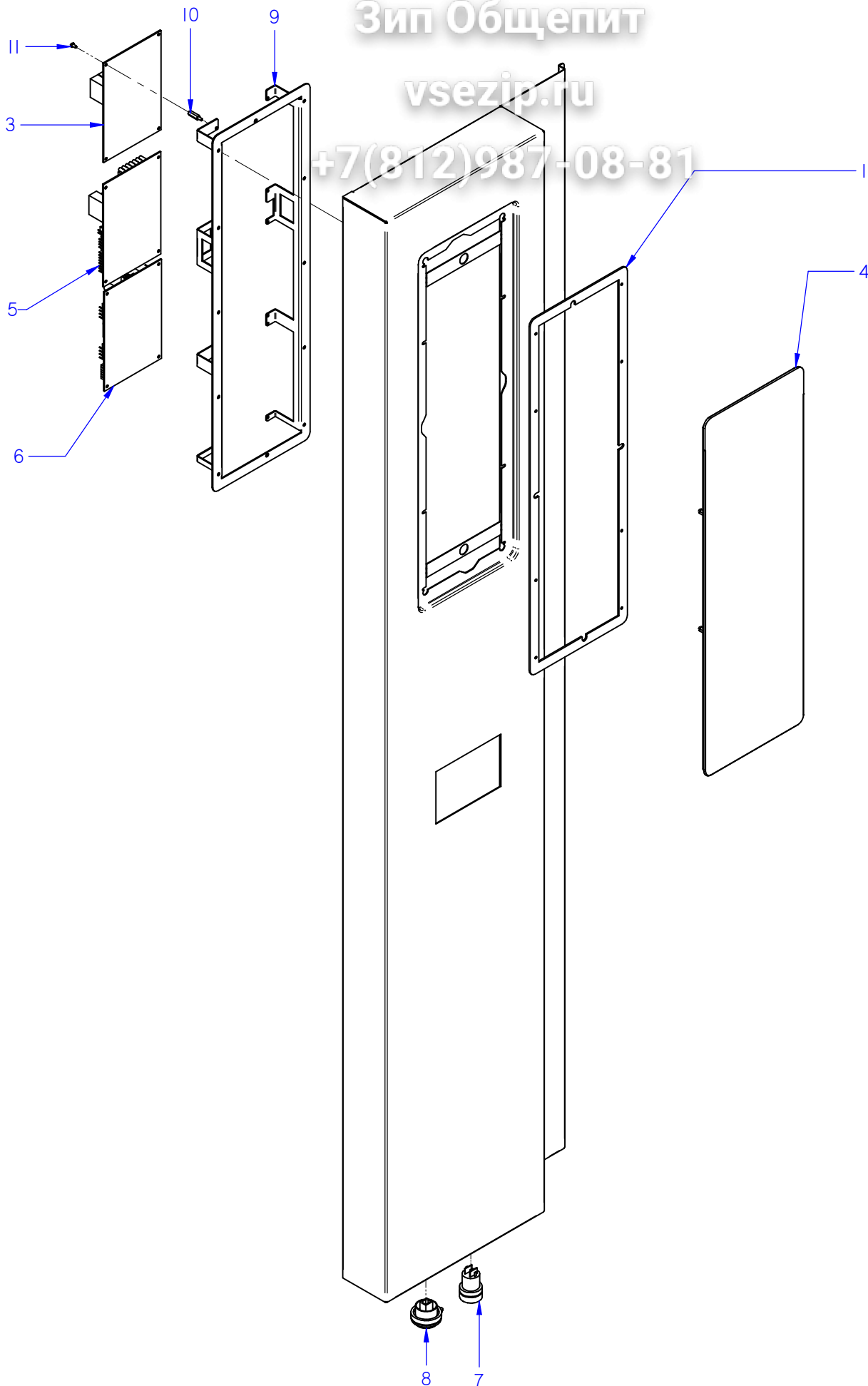
Nº plano / N° plane	Firma	Fecha / Date	Denominación / Denomination: PORTAMANDOS / CONTROL HOLDER	Lamina / Sheet	Fagor Industrial S.Coop. FAGOR
C-3084	<i>(Signature)</i>	2012-09	HORNOS AG-201	13	Oñate

MOD.		HORNOS / OVEN		ZONA / ZONE	CONJUNTO ELECTRICO PORTAMANDOS / CO HOLDER ELECTRIC UNIT			
ITEM	CODIGO REFERENCE	DENOMINACION	DENOMINATION	AG-2018				
1	12046673	CONTROL TARJETA GAS	GAS CONTROL BOARD	1				
1	12130677	TARJETA GAS GRABADA LAVADO	RECORDED GAS C. BOARD WASH	1				
2	12046659	CONTROL TARJETA CAM.12V AC .	CARD CONTROL 12V AC 50/60Hz	1				
2	12130672	TARJETA CAMARA GRAB. LAVADO	RECORD. CHAMBER CARD WASH	1				
3	12046672	VISUALIZADOR 12V AC 50/60Hz 32 D	12V AC 50/60Hz 32 D DISPLAY	1				
3	12130675	REP PORTAM. ADVANCE LAVADO	RECORD. C. PANEL CARD WASH	1				
4	12046670	CONTROL TARJETA CALD. 12V AC 50/60Hz	CARD CONTROL 12V AC 50/60Hz	1				
5	12039536	SOPORTE CIRCUITOS ADVANCE	CIRCUIT SUPPORT ADVANCE	1				
	12009944	ARANDELA A5	FLAT WASHER A.5	4				
	12010281	TUERCA EXAGONAL AUT M5 H. ZI.	HEXAGONAL NUT M5 H. ZINC,	4				
6	12043405	ENCODER GAMA ADVANCE	ADVANCE RANGE ENCODER	1				
7	12093236	FRENTE PORTAM. AE-AG COMP.	CONTROL PANEL FRONT AE-AG	1				
S/Nº	12041815	JUNTA PORTAMANDOS ADV PLUS	CONTROL PANEL SEAL ADV PLUS	1				
8	12044139	SERIGRAFIA ADVANCE	ADVANCE SERIGRAPHY	1				
8	12129465	SERIGRAFIA ADVANCE LAVADO	ADVANCE SERIGRAPHY WASHING	1				
9	12044074	BOTON DE MANDO ADV	ADV CONTROL BUTTON	1				

Зип Общепит

vsezip.ru

+7(812)987-08-81



ITEM MARCADO EN COLOR = REPUESTO RECOMENDADO
COLOURED ITEM = RECOMMENDED SPARE PART

Nº plano / N° plane C-3085	Firma <i>name Benfor</i>	Fecha / Date 05-2015	Denominación / Denomination: PORTAMANDOS / CONTROL HOLDER HORNOS APG-201	Lamina / Sheet 14	Fagor Industrial S.Coop. FAGOR Oñate
-------------------------------	-----------------------------	-------------------------	--	----------------------	--

vsezip.ru

+7(812)987-08-08

MOD.	HORNOS / OVEN	ZONA / ZONE	CONJUNTO ELECTRICO PORTAMANDOS / CO HOLDER ELECTRIC UNIT						
ITEM	CODIGO REFERENCE	DENOMINACION	DENOMINATION	APG-201					
1	12041815	JUNTA PORTAMANDOS ADV PLUS	CONTROL PANEL SEAL ADV PLUS	1					
	12010289	TUERCA AUTOB. M3 DIN985	SELF-LOCK NUT M3 DIN985	6					
	12010288	CLIP SUJECIÓN RÁPIDA Ø 4	RAPID CONNECT CLIP Ø 4	12					
3	12046670	CONTROL TARJETA CALD. 12V AC 50/60Hz	CARD CONTROL 12V AC 50/60Hz	1					
4	12046579	PLAT ADV PLUS CON SOFTWARE	ADV PLUS SOFTWARE PLATF.	1					
4	12121349	PLAT ADV PLUS CON SOFTWARE	ADV PLUS SOFTWARE PLATF.	1					
5	12046659	CONTROL TARJETA CAM.12V AC .	CARD CONTROL 12V AC 50/60Hz	1					
5	12130672	TARJETA CAMARA GRAB. LAVADO	RECORD. CHAMBER CARD WASH	1					
6	12046673	CONTROL TARJETA GAS	GAS CONTROL BOARD	1					
6	12130677	TARJETA GAS GRABADA LAVADO	RECORDED GAS C. BOARD WASH	1					
7	12023927	PULSADOR SERIE MICRO	MICRO SWITCH SERIES	1					
8	12024064	CONECTOR USB VISUAL PLUS	VISUAL PLUS USB CONNECTOR	1					
S/Nº	12023647	TAPA USB VISUAL PLUS	VISUAL PLUS USB COVER	1					
9	12127553	SOPORTE TARJETAS PLUS	PLUS CARDS SUPPORT	1					
10	12025260	DISTANCIADOR 3M	3M SPACER	8					
11	12024612	FIJACION CIRCUITO	CARD CONTROL FIXER	4					

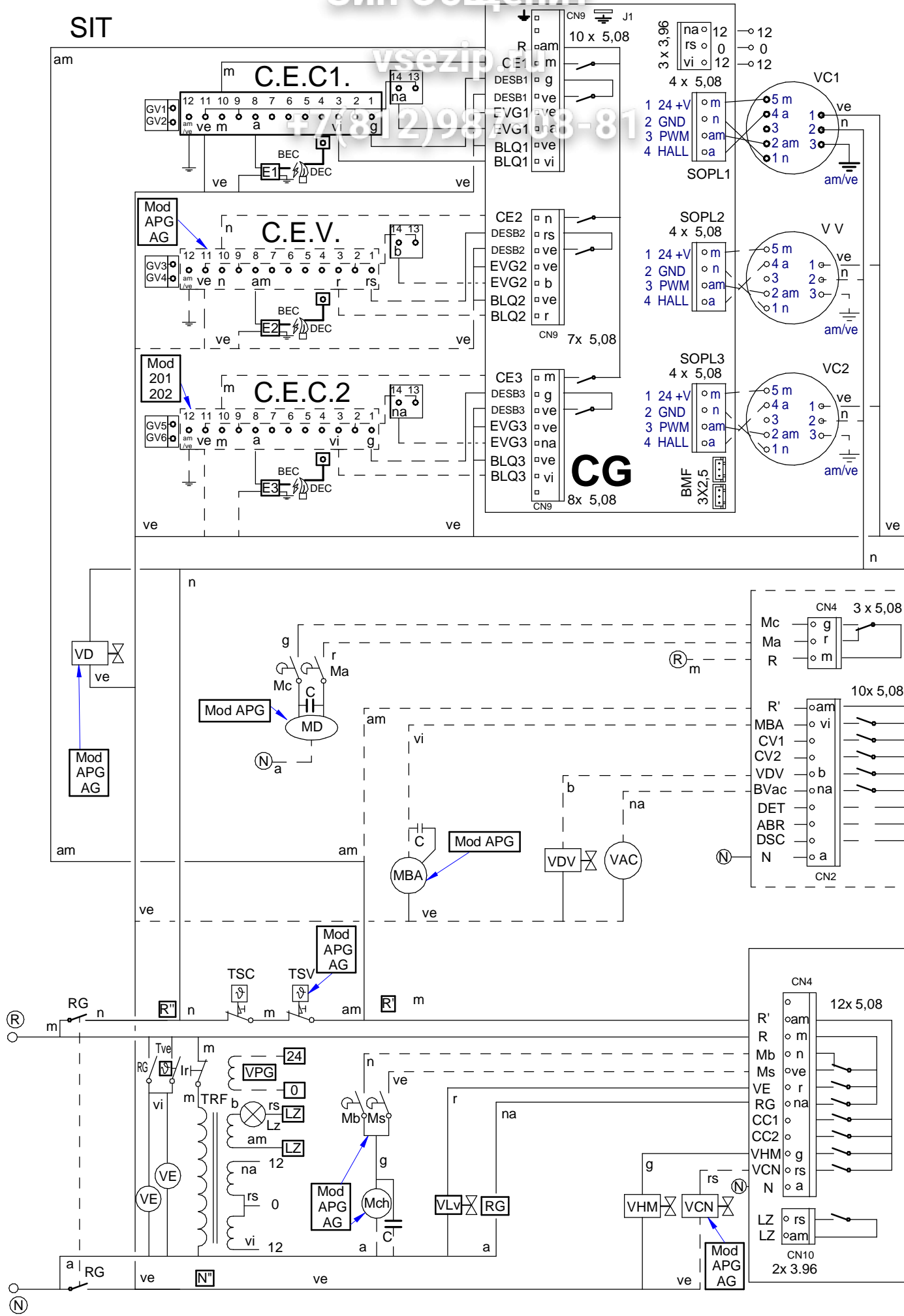
MOD.		HORNOS / OVEN		ZONA / ZONE		VARIOS / MISCELLANEOUS				
ITEM	CODIGO REFERENCE	DENOMINACION	DENOMINATION	ACG-201	AG-201	APG-201				
	12044393	INSTAL. ELECTRICA ACG 201, 202	ELEC. INSTALL. ACG 201, 202	1	–	–				
	12039472	INSTAL.ELECTRICA. APG 202, 201	ELEC. INSTA. APG 202, 201	–	1	1				
	12024575	CABLEADO LUZ INTERIOR 20-21	INTERIOR LIGHT WIRING 20-21	1	1	1				
	12023696	CABLEADO BMF	WIRING BMF	1	1	1				
	12024453	CABL. DETEC-LLAMA-CAM. 20-21	FLAME DETECT. CAMERA WIR. 20-21	1	1	1				
	12024399	CABL. DETEC-LLAMA-CAM. 10-21	FLAME DETECT. CAMERA WIR. 20-21	1	1	1				
	12008032	CABLEADO TIERRA CG9-41	EARTH WIRING CG9-41	1	1	1				
	12008929	CABLEADO VAR-SOPL HGC-20-21	BLOWER DRIVE WIR. HGC-20-21	1	1	1				
	12024655	CABLEADO VAR-SOPL HGV20-21	BLOWER DRIVE WIR. HGV20-21	1	1	1				
	12040567	CABLEADO LAVADO 201-102-202	WIRING CABLE 201-102-202	–	–	1				
	12008976	CABLEADO PULSADOR RESET	RESET BUTTON WIRING	–	–	1				
	12023775	CABLE USB VISUAL PLUS 1,5M	VISUAL PLUS USB CABLE 1,5M	–	–	1				
	12009277	CD HACCP VISUAL COMPLETO	HACCP CD COMPLETE VISUAL	–	–	1				
	12009257	CABLEA. TRANSFORMADOR TFT	WIRING TRANSFORMER TFT	–	–	1				
	12025235	CONECTOR PASO 3,96MM 8 VIAS	CONNECTOR ROUTES 3,96MM 8	1	1	1				

MOD.		HORNOS / OVEN		ZONA / ZONE		REPUESTOS RECOMENDADOS RECOMMENDED SPARE PART					
ITEM	CODIGO REFERENCE	DENOMINACION	DENOMINATION	ACG-201	AG-201	APG-201					
23	12097686	KIT PUERTA 201 CIERRE UNICO	SINGLE LOCK DOOR 201 KIT	1	1	1					
1	12041083	KIT CRISTAL INTER. 201	201 INNER GLASS KIT	1	1	1					
8	12039312	BISAGRA SUPERIOR	UPPER HINGE	1	1	1					
12A	12135274	REP. ASA COMP. 20X CIERRE UNICO	SPARE SINGLE LOCK 20X HANDLE	1	1	1					
13	12047967	BASE BISAGRA INFERIOR 6 DIEN	LOWER HINGE BASE	1	1	1					
16	12024560	INTERRUPTOR MAGNETICO AC	MAGNETIC SWITCH AC	1	1	1					
21	12041134	JUNTA PUERTA COMPL.201 ADV	DOOR JOINT 201 ADV	1	1	1					
22	12041088	JUNTA CIERRE INFERIOR 201	LOWER LOCK JOINT 201	1	1	1					
1	12025161	E.V. 230VAC 50/60Hz 1V	SOLENOID VALVE 230VAC 1 W	1	-	1					
2	12023794	E.V. 230VAC 50/60Hz 2V	SOLENOID VALVE 230VAC 2 W	1	1	-					
2	12115418	E.V. 230VAC 50/60Hz 3V	SOLENOID VALVE 230VAC 3 W	-	1	1					
19	12095019	TERMOSTATO_261_NA_51°C	THERMOSTAT_261_NA_51°C	1	1	-					
1	12024325	MOTOR 230V AC 3N650KW 1450RPM	MOTOR 230V AC 3N650KW 1450	2	2	2					
4	12024510	RETEN 17X28X7V	RETAINER 28x17x7	4	4	4					
5	12010122	ANILLO DE SEGURIDAD Ø 28X1.2	SAFETY RING 28x1,2	2	2	2					
6	12024306	TURBINA RECTA Ø350X127 HANN.	TURBINE RECTA Ø350X127 HAN	2	2	2					
11	12025193	INTERRUPTOR PUERTA	DOOR SWITCH	2	2	2					
12	12024638	MOTOR CHIMENEA	FLUEPIPE MOTOR	1	1	1					
14	12024122	TUBO FLEXIBLE Ø53X360	FLEXIBLE TUBE Ø53X360	1	1	1					
13	12126816	KIT VALVULA DESAGUE ADVAN.	VALVE DRAIN ADVANCE KIT	-	-	1					
22	12024782	MOTOBOMBA 230V AC 1N 50Hz	MOTOR 230V AC 1N 50Hz 74,6	-	-	1					
1	12046107	KIT GENERADOR VAPOR 201	STEAM GENERATOR 201 KIT	-	1	1					
3	12023573	ELECTRODO ALTO	HIGH LEVEL ELECTRODE	-	1	1					
4	12023574	ELECTRODO BAJO	LOW LEVEL ELECTRODE	-	1	1					
5	12023575	ELECTRODO DE MASA	EARTH ELECTRODE	-	1	1					
11	12039546	MOTOBOMBA 230V AC 1N 50/60Hz	PUMP 230V AC 50/60Hz 30W 1N	-	1	1					
12	12023901	CONJUN. TERMOPAR VAPOR	STEAM THERMOCOUPLE UNIT	-	1	1					

MOD.		HORNOS / OVEN		ZONA / ZONE		REPUESTOS RECOMENDADOS RECOMMENDED SPARE PART					
ITEM	CODIGO REFERENCE	DENOMINACION	DENOMINATION	ACG-201	AG-201	APG-201					
1	12039544	CHISPA BRAHMA	BRAHMA SPARK	-	1	1					
2	12044424	QUEMADOR GENERADOR 201G	BURNER GENERATOR 201G	-	1	1					
4	12044607	SOPLANTE NRG 118 55kw	BLOWER NRG 118 55kw	-	1	1					
8	12039440	CAJA CONTROL DBC 579	DBC CONTROL BOX 579	-	1	1					
9	12046364	VALVULA REGUL 50HZ ADV	ADV 50HZ VALVE CONTROLL.	-	1	1					
9	12046365	VALVULA REGUL 60HZ ADV	ADV 60HZ VALVE CONTROLL.	-	1	1					
15	12039430	BUJIA GENERADOR 202	PLUG GENERATOR 202	-	1	1					
16	12039431	DETECTOR GENERADOR 202	GENERATOR SENSOR 202	-	1	1					
1	12039685	DETECTOR CONVECCION 061	CONVECTION DETECTOR 061	1	1	1					
2	12039684	BUJIA CONVECCION 061	SPARK CONVECTION 061	1	1	1					
8	12044607	SOPLANTE NRG 118 55kw	BLOWER NRG 118 55kw	1	1	1					
12	12039556	QUEMADOR CONVECCION 101	BURNER CONVECTION 101	1	1	1					
18	12046364	VALVULA REGUL 50HZ ADV	ADV 50HZ VALVE CONTROLL.	2	2	2					
18	12046365	VALVULA REGUL 60HZ ADV	ADV 60HZ VALVE CONTROLL.	2	2	2					
19	12039440	CAJA CONTROL DBC 579	DBC CONTROL BOX 579	2	2	2					
27	12039685	DETECTOR CONVECCION 061	CONVECTION DETECTOR 061	1	1	1					
28	12039684	BUJIA CONVECCION 061	SPARK CONVECTION 061	1	1	1					
29	12039556	QUEMADOR CONVECCION 101	BURNER CONVECTION 101	1	1	1					
34	12044607	SOPLANTE NRG 118 55kw	BLOWER NRG 118 55kw	1	1	1					
1	12024642	CONJUN. TERMOPAR CAMARA (Tn)	CHAMBER THERMOCOUPLE (Tn)	1	1	1					
5	12048798	REP VARIADOR REGULADO ADV	REGULATED VARIATOR ADV	2	2	2					
7	12039548	SONDA PINCHO ADVANCE	ADVANCE PROBE PINCHO	1	1	1					
9	12024591	TERMOSTATO LIMITADOR 10/21	LIMITER THERMOSTAT10/21	1	1	1					
10	12024884	TERMOSTATO LIMITADOR CORTE	THERMOSTAT LIMITER	-	1	1					
13	12024106	VENTILADOR 230V AC 1N 50/60Hz 36KW	FAN 230V AC 1N 50/60Hz 36KW	2	2	2					
16	12041634	CONJUN.TERMOPAR VAPOR (Tv)	STEAM THERMOCOUPLE UNIT (Tv)	1	1	-					
16	12044609	CONJ. TERMOPAR L425 (Tv)	L425 THERMOCOUPLE UNIT (Tv)	-	-	1					
19	12024173	TRANSFORMADOR 12-0-12-0,24-0	TRANSFORMER 12-0-12-0,24-0	1	1	1					

MOD.		HORNOS / OVEN	ZONA / ZONE	REPUESTOS RECOMENDADOS RECOMMENDED SPARE PART							
ITEM	CODIGO REFERENCE	DENOMINACION	DENOMINATION	ACG-201	AG-201	APG-201					
1	12130677	TARJETA GAS GRABADA LAVADO	RECORDED GAS C. BOARD WASH	1	-	-					
2	12130672	TARJETA CAMARA GRAB. LAVADO	RECORD. CHAMBER CARD WASH	1	-	-					
3	12130674	TARJ. PORTAM. GRABADA LAVADO	REC. COTRL PANEL CARD WASH	1	-	-					
6	12129318	SERIGRAFIA ACE-ACG	ACE-ACG SERIGRAPHY	1	-	-					
1	12130677	TARJETA GAS GRABADA LAVADO	RECORDED GAS C. BOARD WASH	-	1	-					
2	12130672	TARJETA CAMARA GRAB. LAVADO	RECORD. CHAMBER CARD WASH	-	1	-					
3	12130675	REP PORTAM. ADVANCE LAVADO	RECORD. C. PANEL CARD WASH	-	1	-					
4	12046670	CONTROL TARJETA CALD. 12V AC 50/60Hz	CARD CONTROL 12V AC 50/60Hz	-	1	-					
6	12043405	ENCODER GAMA ADVANCE	ADVANCE RANGE ENCODER	-	1	-					
8	12129465	SERIGRAFIA ADVANCE LAVADO	ADVANCE SERIGRAPHY WASHING	-	1	-					
1	12041815	JUNTA PORTAMANDOS ADV PLUS	CONTROL PANEL SEAL ADV PLUS	-	-	1					
3	12046670	CONTROL TARJETA CALD. 12V AC 50/60Hz	CARD CONTROL 12V AC 50/60Hz	-	-	1					
4	12121349	PLAT ADV PLUS CON SOFTWARE	ADV PLUS SOFTWARE PLATF.	-	-	1					
5	12130672	TARJETA CAMARA GRAB. LAVADO	RECORD. CHAMBER CARD WASH	-	-	1					
6	12130677	TARJETA GAS GRABADA LAVADO	RECORDED GAS C. BOARD WASH	-	-	1					

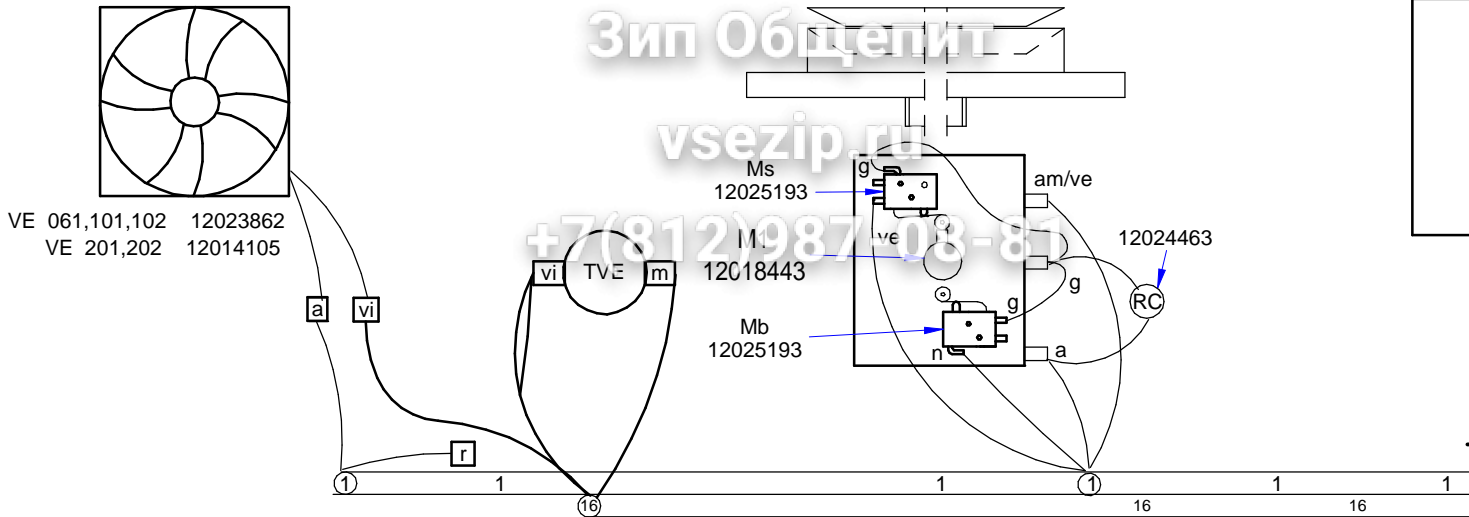
SIT



Зип Общепит

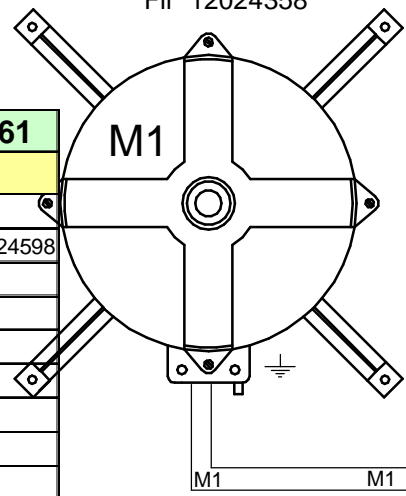
vsezip.ru

+7(812)987103-85

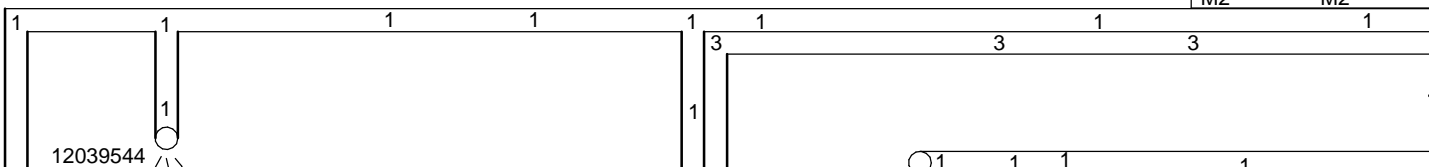
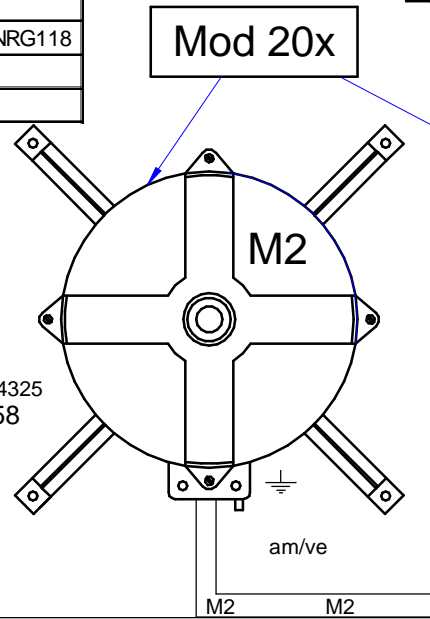


Hanning 12024325
Fir 12024358

		061, 101, 102	202, 201	201, 202	102	101	061
		AG	APG	AG	ACG		
Genrl	1	12039537	12049470 UL	12039472	12044393	12044401	
Cbl.Sp VC1	2	12024598	12008929	12024655	12008929	12024655	12008929
Cbl.Sp V V	3	12024598		12008929	12024598		
Cbl.Sp VC2	4			12008929			
DII.C1	5	12024399		12024453			12024399
DII.V	6	12024453					
BMF	7						12023696
DII.C2	8						12024399
ADPT	9	12039455		12039455			
Lz	10	12024569		12024575		12024569	
Lavado	11	12040567					
Rst	12	12008976					
TFT	13	12009257					
USB	14	12023775					
Tierra	15	12008032					
Ventilador	16	12130535		12130541		12130535	
Esquema	-	12039676		12049534 UL			
Leyenda	-	12022177					
Ind.Comp	-	12022160					
Sop VC1		NRG118	RG128		NRG118		
Sop VV		NRG118	RG148	NRG118			
Sop VC2		RG128					



Hanning 12024325
Fir 12024358



	ESPAÑOL	FRANÇAIS	ENGLISH
BEC	Bujía Encendido Cámara	Bougie Allumage Chambre	Chamber Spark Plug
BEV	Bujía Encendido Caldera	Bougie Allumage Chaudière	Boiler Spark Plug
C.C.	Control Camara	Contrôle Chambre	Chamber Control
C.E.C	Control Combustión Cámara	Contrôle Combustion Chambre	Chamber Combustion
C.E.V	Control Combustión Caldera	Contrôle Combustion Chaudière	Boiler Combustion
C.G.	Control Gas	Contrôle Gaz	Control Gas
C.V.	Control Caldera	Contrôle Chaudière	Boiler Control
CC1, CC2	Contactador Resistencia Cámara	Contacteur Élément Chauffant Chambre	Chamber Heating Element
CK1, CK2	Contactador General Calentamiento	Relais Élément Chauffant	Heating Element Relay
CV1, CV2	Contactador Resistencias Caldera	Contacteur Élément Chauffant Chaudière	Boiler Heating Element
DEC	Detector Llama Cámara	Détecteur Flamme Chambre	Chamber Flame Detector
DEV	Detector Llama Caldera	Détecteur Flamme Chaudière	Boiler Flame Detector
DN	Detector Nivel Caldera	Détecteur Niveau Chaudière	Boiler Level Detector
F	Fusibles	Fusibles	Fuses
FI	Filtro Interferencias	Filtre Interférences	Interference Filter
FM	Térmico Motor	Thermique Moteur	Thermal Engine
GV1, GV2	Electro válvula Gas Cámara	Électrovanne Gaz Chambre	Chamber Gas Solenoid
GV3, GV4	Electro válvula Gas Caldera	Électrovanne Gaz Chaudière	Boiler Gas Solenoid
Ip	Interruptor Seguridad Puerta	Interrupteur Sécurité Porte	Door Safety Switch
Lz	Luz Interior	Éclairage Intérieur	Inner Light
M, M2	Motor Turbina	Moteur Turbine	Turbine Engine
Ma	Interruptor Micro Abierto	Microrupteur Ouvert	Open Microswitch
Mb	Interruptor Micro Bajada	Microrupteur Descente	Drop Microswitch
Mc	Interruptor Micro Cerrado	Microrupteur Fermé	Closed Microswitch
Mch	Motor Chimenea	Moteur Cheminée	Stack Engine
MD	Motor Desague	Moteur évacuation	Drain Engine
Ms	Interruptor Micro Subida	Microrupteur Montée	Rise Microswitch
PF	Potenciómetro Selector Funciones	Potentiomètre Sélecteur Fonctions	Functions Selector
RC	Resistencias Cámara	Éléments Chauffants Chambre	Chamber Heating Elements
RG	Rele General	Relais Général	Main Relay
RV	Resistencias Caldera	Éléments Chauffants Chaudière	Boiler Heating Elements
Tc	Sonda Cámara	Sonde Chambre	Chamber Probe
TCN	Termostato Condensación	Thermostat Condensation	Condensation Thermostat
Tg	Sonda Caldera	Sonde Chaudière	Boiler Probe
Tn	Sonda Núcleo	Sonde Noyau	Core Probe
TRF	Transformador	Transformateur	Transformer
TSC	Termostato Seguridad Cámara	Thermostat Sécurité Chambre	Chamber Safety Thermostat
TSV	Termostato Seguridad Caldera	Thermostat Sécurité Chaudière	Boiler Safety Thermostat
Tv	Sonda Vapor	Sonde Vapeur	Steam Probe
VAC	Bomba Vaciado	Pompe Vidange	Vacuum Pump
MBA	Moto Bomba Aclarado	Pompe Rinçage	Rinsing Pump
VC1, VC2	Ventilador Soplante Camara	Ventilateur Soufflant	Blowing Fan
VCN	Electro válvula Condensación	Électrovanne Condensation	Condensation Solenoid
VDV	Electro válvula Llenado Caldera	Électrovanne Remplissage Chaudière	Chamber Filling Solenoid
VE	Ventilador Cuadro Eléctrico	Ventilateur Tableau Électrique	Fan Switchboard
VF1,VF2	Variador de Frecuencia	Variateur Vitesse	Speed Variator
VHM	Electro válvula Humidificador	Électrovanne Humidificateur	Humidifier Solenoid
Vv	Ventilador Soplante Caldera	Ventilateur soufflement chaudière	Boiler Blowing Fan
	COLORES	COULEURS	COLOUR
a	Azul	Bleu	Blue
am	Amarillo	Jaune	Yellow
am/ve	Amarillo/verde	Jaune / vert	Yellow / green
b	Blanco	Blanc	White
g	Gris	Gris	Grey
m	Marrón	Marron	Brown
n	Negro	Noir	Black
na	Naranja	Orange	Orange
r	Rojo	Rouge	Red
rs	Rosa	Rose	Pink
ve	Verde	Vert	Green
vi	Violeta	Violet	Purple