

Зип Общепит

vsezip.ru

DESPIECE TECNICO / SPARE PARTS BOM

+7(812)987-08-81

Cocinas a Gas
Gas ranges
Fourneaux à gaz
Gas-herde
Cucine a gas
Fogão a gás

GAMA 900 RANGE

Modelos / Models:

CG9-20

CG9-40

CG9-60

CG9-41

CG9-61

CG9-82

CGE9-41

CG9-61 OP

Junio 2009 June

Revisado Febrero 2016 February Revised

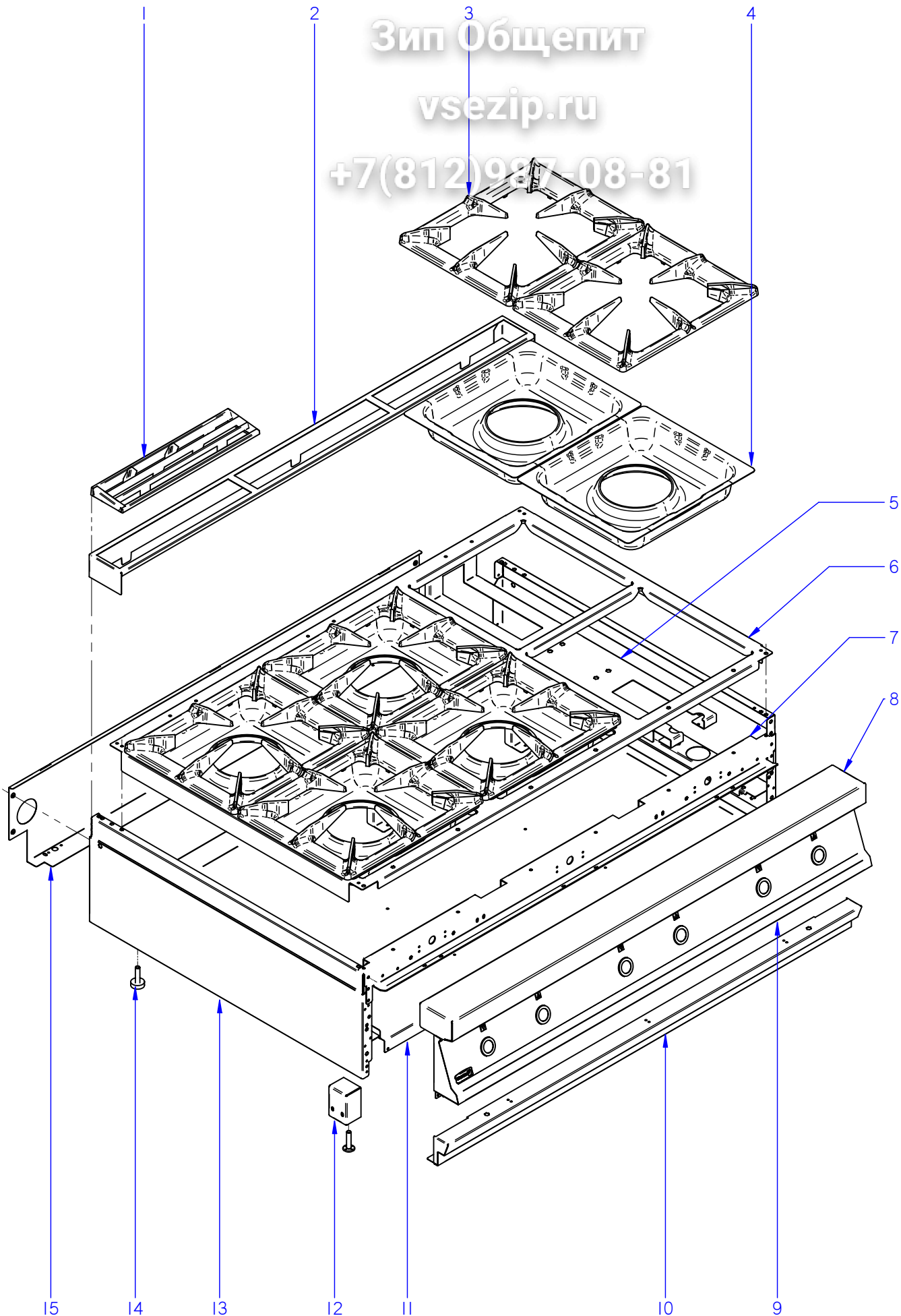
FAGOR 

FAGOR INDUSTRIAL

Зип Общепит

vsezip.ru

+7(812)987-08-81



ITEM MARCADO EN COLOR = REPUESTO RECOMENDADO
COLOURED ITEM = RECOMMENDED SPARE PART

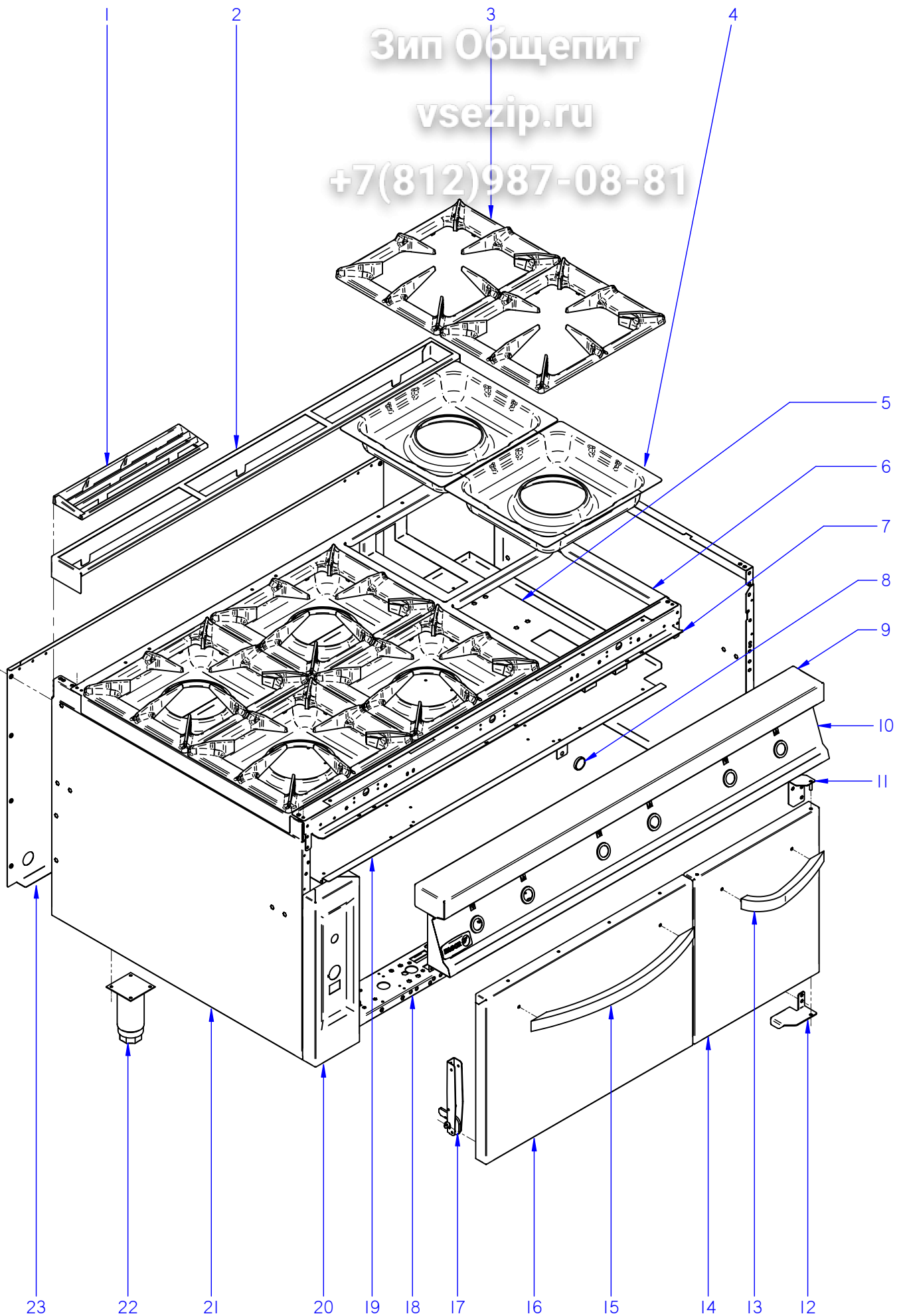
N plano	Firma	Fecha	Aparato	MUEBLE	Lamina	Fagor Industrial S.Coop. FAGOR
C-2340	<i>(Signature)</i>	2009-06	COCINAS CG9-20 / CG9-40 / CG9-60		1	Oñate

MOD.	COCINAS	ZONA	MUEBLE / UNIT					
ITEM	CODIGO	DENOMINACION	TEXTO	CG9-20	CG9-40	CG9-60		
1	R205425000	EMBELLECEDOR ESMALTE	ENAMEL TRIM	1	2	3		
2	R205438000	SOPORTE EMBELLECEDOR 0,5 M	TRIM SUPPORT 0.5 M	1	—	—		
2	R205439000	SOPORTE EMBELLECEDOR 1 M	TRIM SUPPORT 1 M	—	1	—		
2	R205440000	SOPORTE EMBELLECEDOR 1,5 M	TRIM SUPPORT 1.5 M	—	—	1		
3	U035409000	PARRILLA GAMA 900	GRILL 900 RANGE	2	4	6		
4	U025473000	BACINETA QUEMADOR G900	BASIN BURNER G900	2	4	6		
5	U022617000	LISTON SOP. QUEMADOR G900	BURNER SUPPORT STRIP	1	2	3		
5	U022651000	LISTON SOP. QUEMADOR G900	BURNER SUPPORT STRIP	1	2	3		
	Q221343000	REMACHE EXAGONAL M6	HEXAGONAL RIVET M6	4	8	12		
	Q221342000	REMACHE EXAGONAL M5	HEXAGONAL RIVET M5	4	6	8		
6	U025474000	MESA 0,5 M G900	BENCH 0.5 M G900	1	—	—		
6	U025472000	MESA 1 M G900	BENCH 1 M G900	—	1	—		
6	U025475000	MESA 1,5 M G900	BENCH 1.5 M G900	—	—	1		
	Q152004000	TORNIL, APLASTADO M5x13 A304	FLAT HEADED BOLT M5x13 A304	8	10	12		
	Q221342000	REMACHE EXAGONAL M5	HEXAGONAL RIVET M5	2	4	6		
7	X162690000	ESCUA INTER AMAR ANTE 0,5 M	BRACKET INTER FASTE. FRONT	1	—	—		
7	U022632000	ESCUA INTER AMAR ANTE 1 M	BRACKET INTER FASTE. FRONT	—	1	—		
7	U032625000	ESCUA INTER AMAR ANTE 1,5 M	BRACKET INTER FASTE. FRONT	—	—	1		
	Q221342000	REMACHE EXAGONAL M5	HEXAGONAL RIVET M5	4	4	6		
	Q012032000	TORNILLO EXAGONAL M5x15	HEXAGONAL BOLT M5x15	6	6	6		
	Q152004000	TORNIL, APLASTADO M5x13 A304	FLAT HEADED BOLT M5x13 A304	4	6	9		
	Q302022000	ARANDELA 16x6x1,2 A304	WASHER 16x6x1.2 A304	4	6	9		
8	R045416000	ANTERIOR MESA 0,5 M	BENCH FRONT 0.5 M	1	—	—		
8	S105402000	ANTERIOR MESA 1 M	BENCH FRONT 1 M	—	1	—		
8	U035406000	ANTERIOR MESA 1,5 M	BENCH FRONT 1.5 M	—	—	1		
9	U012809000	PORTAMANDOS COMPL. CG9-20	COMPL. CONTROL HOLDER CG9	1	—	—		
9	U022856000	PORTAMANDOS COMPL. CG9-40	COMPL. CONTROL HOLDER CG9	—	1	—		
9	U032814000	PORTAMANDOS COMPL. CG9-60	COMPL. CONTROL HOLDER CG9	—	—	1		
	U022836000	ESCUDO FAGOR	FAGOR EMBLEM	1	1	1		
	Q221023000	CLIP SUJECIÓN RÁPIDA Ø5	RAPID CONNECT CLIP Ø5	2	2	2		

Зип Общепит

vsezip.ru

+7(812)987-08-81



ITEM MARCADO EN COLOR = REPUESTO RECOMENDADO
COLOURED ITEM = RECOMMENDED SPARE PART

N plano	Firma	Fecha	Aparato	MUEBLE	Lamina	Fagor Industrial S.Coop. FAGOR
C-2341	<i>(Signature)</i>	2009-06	COCINA CG9-41 / 61 / 82 / CGE9-41		2	Oñate

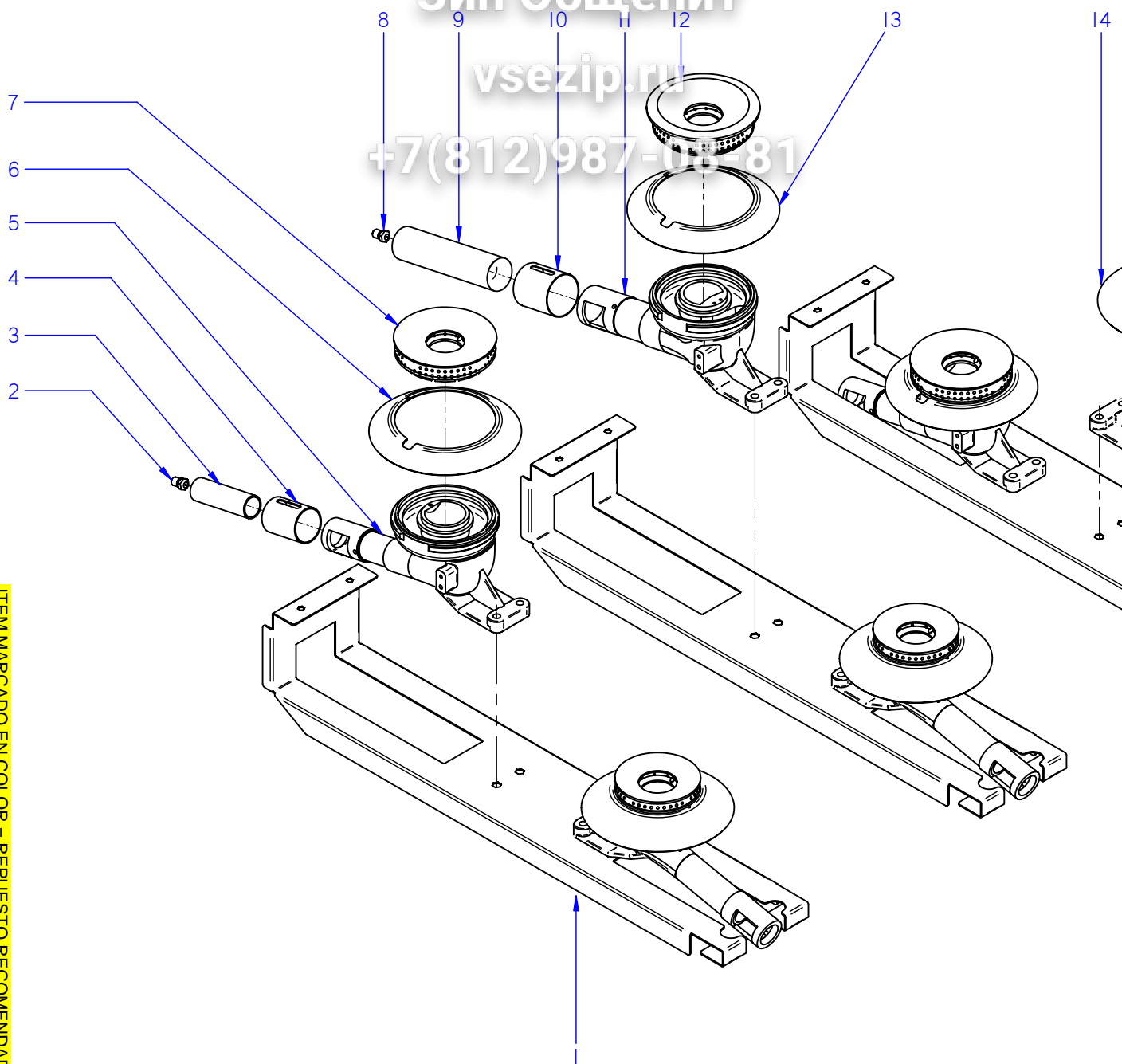
MOD.	COCINAS	ZONA	MUEBLE / UNIT					
ITEM	CODIGO	DENOMINACION	TEXTO	CG9-41	CG9-61	CG9-82	CG9-61 OP	CG9-41
1	R205425000	EMBELLECEDOR ESMALTE	ENAMEL TRIM	2	3	4	3	2
2	R205439000	SOPORTE EMBELLECEDOR 1 M	TRIM SUPPORT 1 M	1	—	2	—	1
2	R205440000	SOPORTE EMBELLECEDOR 1,5 M	TRIM SUPPORT 1.5 M	—	1	—	1	—
3	U035409000	PARRILLA GAMA 900	GRILL 900 RANGE	4	6	8	6	4
4	U025473000	BACINETA QUEMADOR G900	BASIN BURNER G900	4	6	8	6	4
5	U022617000	LISTON SOP. QUEMADOR G900	BURNER SUPPORT STRIP	2	3	4	3	2
5	U022651000	LISTON SOP. QUEMADOR G900	BURNER SUPPORT STRIP	2	3	4	3	2
	Q221343000	REMACHE EXAGONAL M6	HEXAGONAL RIVET M6	8	12	16	12	8
	Q221342000	REMACHE EXAGONAL M5	HEXAGONAL RIVET M5	4	8	16	8	4
6	U025472000	MESA 1 M G900	BENCH 1 M G900	1	—	2	—	1
6	U025475000	MESA 1,5 M G900	BENCH 1.5 M G900	—	1	—	1	—
	Q152004000	TORNIL, APLASTADO M5x13 A304	FLAT HEADED BOLT M5x13 A304	10	12	20	12	10
	Q221342000	REMACHE EXAGONAL M5	HEXAGONAL RIVET M5	4	6	8	6	4
7	U022632000	ESCUA INTER AMAR ANTE 1 M	BRACKET INTER FASTE. FRONT	1	—	2	—	1
7	U032625000	ESCUA INTER AMAR ANTE 1,5 M	BRACKET INTER FASTE. FRONT	—	1	—	1	—
	Q221342000	REMACHE EXAGONAL M5	HEXAGONAL RIVET M5	4	6	8	6	4
	Q012032000	TORNILLO EXAGONAL M5x15	HEXAGONAL BOLT M5x15	4	6	8	6	4
	Q152004000	TORNIL, APLASTADO M5x13 A304	FLAT HEADED BOLT M5x13 A304	6	6	12	6	6
	Q302022000	ARANDELA 16x6x1,2 A304	WASHER 16x6x1.2 A304	6	6	12	6	6
8	X960501000	IMAN	MAGNET	—	2	—	—	—
S/Nº	X960502000	FIJACION IMAN	MAGNET ATTACHMENT	—	2	—	—	—
	Q012021000	TORNILLO EXAGONAL M4X10	HEXAGONAL BOLT M4x10	—	2	—	—	—
	Q232020000	ARANDELA A4	WASHER A4	—	2	—	—	—
9	S105402000	ANTERIOR MESA 1 M	BENCH FRONT 1 M	1	—	—	—	1
9	U035406000	ANTERIOR MESA 1,5 M	BENCH FRONT 1.5 M	—	1	—	1	—
9	U125401000	ANTERIOR MESA 2 M	BENCH FRONT 2 M	—	—	1	—	—
	Q152004000	TORNIL, APLASTADO M5x13 A304	FLAT HEADED BOLT M5x13 A304	2	3	4	3	2
	Q302022000	ARANDELA 16x6x1,2 A304	WASHER 16x6x1.2 A304	2	3	4	3	2

MOD.	COCINAS	ZONA	MUEBLE / UNIT					
ITEM	CODIGO	DENOMINACION	TEXTO	CG9-41	CG9-61	CG9-82	CG9-61 OP	CG9-41
10	U022852000	PORTAMANDOS COMPL. CG9-41	CONTROL HOLDER CG9-41	1	—	—	—	1
10	U032811000	PORTAMANDOS COMPL. CG9-61	CONTROL HOLDER CG9-61	—	1	—	—	—
10	U122831000	PORTAMANDOS COMPL. CG9-82	CONTROL HOLDER CG9-82	—	—	1	—	—
10	U102814000	PORTAMANDOS COMP. CG9-61OP	CONTROL HOLDER CG9-61OP	—	—	—	1	—
	U022836000	ESCUDO FAGOR	FAGOR EMBLEM	1	1	1	1	1
	Q221023000	CLIP SUJECIÓN RÁPIDA Ø5	RAPID CONNECT CLIP Ø5	2	2	2	2	2
11	U032619000	BISAGRA SUPERIOR DERECHA	UPPER RIGHT HINGE	—	1	—	—	—
	Q221342000	REMACHE EXAGONAL M5	HEXAGONAL RIVET M5	—	2	—	—	—
12	U020511000	BISAGRA DERECHA INFERIOR	LOWER RIGHT HINGE	—	1	—	—	—
	Q232040000	ARANDELA A6	WASHER A6	—	1	—	—	—
	X960504000	TORNILLO DE GIRO M8	ROTATION BOLT M8	—	1	—	—	—
	Q012042000	TORNILLO EXAGONAL M6x15 A304	HEXAGONAL BOLT M6x15 A304	—	2	—	—	—
	Q302022000	ARANDELA 16x6x1,2 A304	WASHER 16x6x1.2 A304	—	2	—	—	—
13	U020507000	ASA ARMARIO COMPLETO G900	FULL CUPBOARD HANDLE G900	—	1	—	—	—
	Q162040000	TUERCA EXAGONAL M6	HEXAGONAL NUT M6	—	2	—	—	—
	Q302022000	ARANDELA 16x6x1,2 A304	WASHER 16x6x1.2 A304	—	2	—	—	—
14	U020536000	PUERTA LATERAL G900	SIDE DOOR G900	—	1	—	—	—
	Q419005000	REMACHE 4x8 ALMG3 / ALUMINIO	RIVET 4X8 ALMG3 / ALUMINIUM	—	4	—	—	—
15	U020504000	ASA DE HORNO COMPLETA G900	COMPL. OVEN HANDLE G900	1	1	2	1	1
	Q012041000	TORNILLO EXAGONAL M6x10	HEXAGONAL BOLT M6x10	2	2	4	2	2
	Q302022000	ARANDELA 16x6x1,2 A304	WASHER 16x6x1.2 A304	2	2	4	2	2
	12038310	KIT PUERTA HORNO	OVEN DOOR KIT	1	1	2	—	1
16	U910501000	PUERTA DE HORNO	OVEN DOOR	1	1	2	—	1
16	U100514000	PUERTA DE HORNO GRANDE	OVEN DOOR	—	—	—	1	—
16	U100522000	PUERTA DE HORNO OP	OVEN DOOR OP	—	—	—	1	—
17	U020528000	BISAGRA CIERRE HORNO	OVEN LOCK HINGE	2	2	4	2	2
	Q152022000	TORNILLO M6x8	BOLT M6x8	6	6	12	6	6
18	U022625000	LISTON SOPORTE PATAS 1 M	LEG SUPPORT STRIP 1 M	2	—	—	—	2
18	U032615000	LISTON SOPORTE PATAS 1,5 M	LEG SUPPORT STRIP 1.5 M	—	2	—	—	—
18	U122606000	LISTON SOPORTE PATAS 2 M	LEG SUPPORT STRIP 2 M	—	—	2	—	—
18	U102611000	LISTON SOPORTE PATAS 1,5 M OP	LEG SUPPORT STRIP 1.5 M	—	—	—	2	—

Зип Общепит

vsezip.ru

+7(812)987-05-81



ITEM MARCADO EN COLOR = REPUESTO RECOMENDADO
COLOURED ITEM = RECOMMENDED SPARE PART

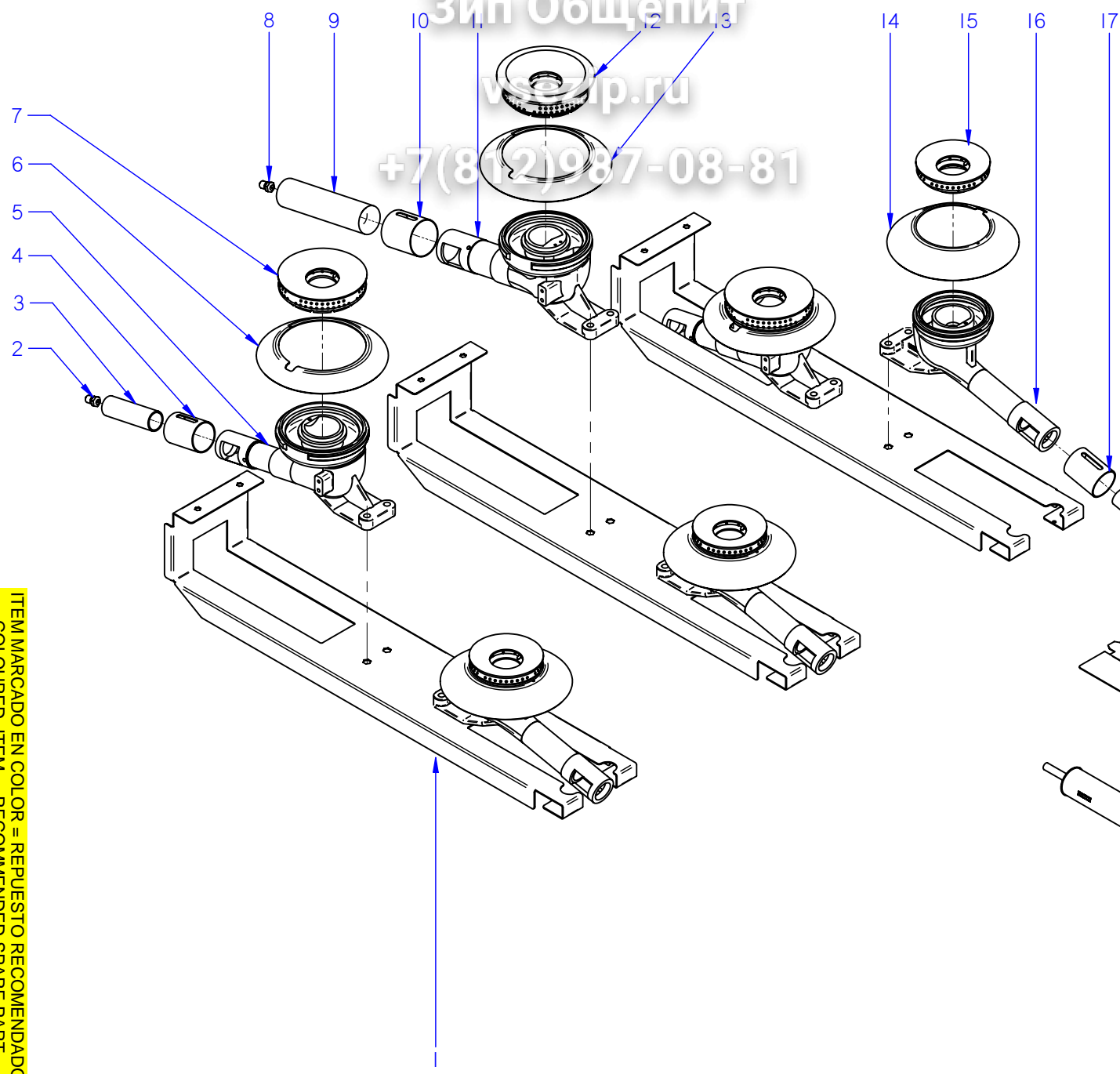
N plano	C-2342
Firma	
Fecha	2009-06
Aparato	COCINA CG-9-20 / 40 / 60 / CGE9-41
QUEMADORES	
Lamina	3
Fogor	Industri al s. Coop. FAGOR
Onete	

MOD.	COCINAS	ZONA	QUEMADORES / BURNERS				
ITEM	CODIGO	DENOMINACION	TEXTO	CG9-20	CG9-40	CG9-60	CGE9-41
1	U022617000	LISTON SOP. QUEMADOR G900	BURNER SUPPORT STRIP	1	2	3	2
1	U022651000	LISTON SOP. QUEMADOR G900	BURNER SUPPORT STRIP	1	2	3	2
	Q221343000	REMACHE EXAGONAL M6	HEXAGONAL RIVET M6	4	8	12	8
	Q221342000	REMACHE EXAGONAL M5	HEXAGONAL RIVET M5	4	6	8	4
2	631000000	TOBERA Ø 1,40 BP (8000)	NOZZLE Ø 1.40 BP (8000)	1	1	2	1
2	U112402000	TOBERA Ø 2,10 GN (8000)	NOZZLE Ø 2,10 GN (8000)	1	1	2	1
3	U565700000	VENTURI QUEMADOR 8000	VENTURI BURNER 8000	1	1	2	1
4	U265702000	REGULADOR AIRE	AIR CONTROLLER	1	1	2	1
	Q132054000	VARILLA ROSCADA M6 x 12	THREADED ROD M6 x 12	1	1	2	1
	Q162004000	TUERCA EXAGONAL M6	HEXAGONAL NUT M6	1	1	2	1
5	U025710000	CUERPO QUEMADOR 8000 Kcal/H	BURNER BODY 8000 Kcal/h	1	1	2	1
	Q372004000	PASADOR ELASTICO 5x20	ELASTIC PIN 5x20	1	2	2	2
6	U915703000	PROTEC. PILOTO QUEMAD. 7000	BURNER PILOT GUARD 7000	1	1	2	1
	12093788	ESPARRAGO ALLEN M3x12	ALLEN M3x12 ROD	1	1	2	1
7	U135702500	QUEMADOR 8000	BURNER 8000	1	1	2	1
	Q371026000	MANGUITO DE SUJECION Ø 4x14	HANDLE Ø 4x14	1	1	2	1
	Q012045000	TORNILLO EXAGONAL M6x30 A304	HEXAGONAL BOLT M6x30 A304	1	1	2	1
	Q302022000	ARANDELA 16x6x1,2 A304	WASHER 16x6x1.2 A304	1	1	2	1
	U565011000	TUERCA GUIA	GUIDE NUT	1	1	2	1
8	U112401000	TOBERA Ø 1,55 BP (10500)	NOZZLE Ø 1.55 BP (10500)	—	1	1	1
8	631600000	TOBERA Ø 2,40 GN (10500)	NOZZLE Ø 2.40 GN (10500)	—	1	1	1
9	U235706000	VENTURI 10.500	VENTURI 10,500	—	1	1	1
9	U235707000	VENTURI 10.500	VENTURI 10,500	—	1	1	1
10	U025706000	REGULADOR DE AIRE 10.000	AIR CONTROL 10.000	—	1	1	1
	Q132054000	VARILLA ROSCADA M6x12	THREADED ROD M6X12	—	1	1	1
	Q162004000	TUERCA EXAGONAL M6	HEXAGONAL NUT M6	—	1	1	1
11	U025711000	CUERPO QUEMADOR 10.000Kcal/H	BURNER BODY 10,000 Kcal/H	—	1	1	1
	Q372004000	PASADOR ELASTICO 5x20	ELASTIC PIN 5x20	—	1	1	1
	Q371028000	MANGUITO DE SUJECION Ø 3x14	HANDLE Ø 3x14	—	2	2	2
12	U235701500	DIFUSOR 10.500 Kcal/H	DIFFUSER 10.500 Kcal/H	—	1	1	1
12	12047137	DIFUSOR 10.500 (AGUJ Y PINTA)	DIFFUSER 10.500	—	1	1	1

Зип Общепит

vseip.ru

+7(812)987-08-81



ITEM MARCADO EN COLOR = REPUESTO RECOMENDADO
COLOURED ITEM = RECOMMENDED SPARE PART

N plano	C-2343
Firma	
Fecha	2009-06
Aparato	COCINA CG9-41 / 61 / 82 / 61 OP
QUEMADORES	
Lamina	4
Fogor	Industri al s. Coop. FAGOR
Opote	

MOD.		COCINAS		ZONA		QUEMADORES / BURNERS			
ITEM	CODIGO	DENOMINACION	TEXTO	CG9-41	CG9-61	CG9-82	CG9-61 OP		
1	U022617000	LISTON SOP. QUEMADOR G900	BURNER SUPPORT STRIP	1	2	3	2		
1	U022651000	LISTON SOP. QUEMADOR G900	BURNER SUPPORT STRIP	1	2	3	2		
2	0631000000	TOBERA Ø 1,40 BP (8000)	NOZZLE Ø 1.40 BP (8000)	1	2	2	2		
2	U112402000	TOBERA Ø 2,10 GN (8000)	NOZZLE Ø 2,10 GN (8000)	1	2	2	2		
3	U565700000	VENTURI QUEMADOR 8000	VENTURI BURNER 8000	1	2	2	2		
4	U265702000	REGULADOR AIRE	AIR CONTROLLER	1	2	2	2		
	Q132054000	VARILLA ROSCADA M6 x 12	THREADED ROD M6 x 12	1	2	2	2		
	Q162004000	TUERCA EXAGONAL M6	HEXAGONAL NUT M6	1	2	2	2		
5	U025710000	CUERPO QUEMADOR 8000 Kcal/H	BURNER BODY 8000 Kcal/h	1	2	2	2		
	Q372004000	PASADOR ELASTICO 5x20	ELASTIC PIN 5x20	1	2	2	2		
6	U915703000	PROTEC. PILOTO QUEMAD. 7000	BURNER PILOT GUARD 7000	1	2	2	2		
	12093788	ESPARRAGO ALLEN M3x12	ALLEN M3x12 ROD	1	2	2	2		
7	U135702500	QUEMADOR 8000	BURNER 8000	1	2	2	2		
	Q371026000	MANGUITO DE SUJECION Ø 4x14	HANDLE Ø 4x14	1	2	2	2		
	Q012045000	TORNILLO EXAGONAL M6x30 A304	HEXAGONAL BOLT M6x30 A304	1	4	2	4		
	U565011000	TUERCA GUIA	GUIDE NUT	1	2	2	2		
8	U112401000	TOBERA Ø 1,55 BP (10500)	NOZZLE Ø 1.55 BP (10500)	1	1	2	1		
8	631600000	TOBERA Ø 2,40 GN (10500)	NOZZLE Ø 2.40 GN (10500)	1	1	2	1		
9	U235706000	VENTURI 10.500	VENTURI 10,500	1	1	2	1		
9	U235707000	VENTURI 10.500	VENTURI 10,500	1	1	2	1		
10	U025706000	REGULADOR DE AIRE 10.000	AIR CONTROL 10.000	1	1	2	1		
	Q132054000	VARILLA ROSCADA M6x12	THREADED ROD M6X12	1	1	2	1		
	Q162004000	TUERCA EXAGONAL M6	HEXAGONAL NUT M6	1	1	2	1		
11	U025711000	CUERPO QUEMADOR 10.000Kcal/H	BURNER BODY 10,000 Kcal/H	1	1	2	1		
	Q371028000	MANGUITO DE SUJECION Ø 3x14	HANDLE Ø 3x14	1	1	2	1		
	Q372004000	PASADOR ELASTICO 5x20	ELASTIC PIN 5x20	1	1	2	1		
12	U235701500	DIFUSOR 10.500 Kcal/H	DIFFUSER 10.500 Kcal/H	1	1	2	1		
12	12047137	DIFUSOR 10.500 (AGUJ Y PINTA)	DIFFUSER 10.500	1	1	2	1		
	Q012045000	TORNILLO EXAGONAL M6x30 A304	HEXAGONAL BOLT M6x30 A304	1	1	2	1		
13	U915703000	PROTEC. PILOTO QUEMAD. 7000	BURNER PILOT GUARD 7000	1	1	2	1		
	12093788	ESPARRAGO ALLEN M3x12	ALLEN M3x12 ROD	1	1	2	1		

MOD.	COCINAS	ZONA	QUEMADORES / BURNERS				
ITEM	CODIGO	DENOMINACION	TEXTO	CG9-41	CG9-61	CG9-82	CG9-61 OP
14	U025712000	PROTEC. PILOTO QUEMAD. 4000	BURNER PILOT GUARD 4000	2	3	4	3
	12093788	ESPARRAGO ALLEN M3x12	ALLEN M3x12 ROD	2	3	4	3
15	U445731500	QUEMADOR 4000 (00545-010)	BURNER 4000 (00545-010)	2	3	4	3
15	U445731000	QUEMADOR 4000 (00545-010)	BURNER 4000 (00545-010)	1	2	3	2
15	12039162	QUEMADOR 4000 4000 Kcal/H	BURNER 40004000 Kcal/H	1	2	3	2
16	U025709000	CUERPO QUEMADOR 4000Kcal/H	BURNER BODY 4000 Kcal/H	2	3	4	3
	Q371026000	MANGUITO DE SUJECION Ø 4x14	HANDLE Ø 4x14	2	3	4	3
	Q372004000	PASADOR ELASTICO 5x20	ELASTIC PIN 5x20	2	3	4	3
17	U265702000	REGULADOR AIRE	AIR CONTROLLER	2	3	4	3
	Q132042000	VARILLA ROSCADA M6 x 15	THREADED ROD M6 x 15	2	3	4	3
	Q162004000	TUERCA EXAGONAL M6	HEXAGONAL NUT M6	2	3	4	3
18	U125720000	VENTURI QUEMADOR 4000 kcl	VENTURI BURNER 4000 kcl	2	3	4	3
19	X312400000	TOBERA Ø 1,10 BP (4000)	NOZZLE Ø 1.10 BP (4000)	2	3	4	3
19	U122407000	TOBERA Ø 1,05 BP (4000)	NOZZLE Ø 1.05 BP (4000)	2	3	4	3
19	R302400000	TOBERA Ø 1,65 GN (4000)	NOZZLE Ø 1.65 GN (4000)	2	3	4	3
20	U915613000	DEFLECTOR QUEMADOR HORNO	OVEN BURNER DEFLECTOR	2	2	4	—
20	U105610000	DEFLECTOR QUEMADOR HORNO	OVEN BURNER DEFLECTOR	—	—	—	2
21	U105712000	RAMA ENCENDIDO QUEM. HORNO	OVEN BURNER IGNITION BRANC	—	—	—	1
	X205028000	BICONO Ø 6	BICONEØ 6	—	—	—	1
	U105013000	TUERCA M10x1(024 0003.00)POL	NUT M10x1(024 0003.00)POL	—	—	—	1
22	U105635000	AMARRE QUEMADOR HORNO(HG)	OVEN BURNER FASTENING (HG)	1	1	2	2
	Q012031000	TORNILLO EXAGONAL M5x10 A304	HEXAGONAL BOLT M5x10 A304	2	2	4	4
23	X505724000	MANGUITO PORTATOBERAS	NOZZLE HOLDER SLEEVE	1	1	2	2
24	Q223019000	TUERCA 3/8 GAS LATÓN	NUT 3/8 GAS BRASS	1	1	2	2
25	X505013000	REGULADOR DE AIRE POLIDORO	POLIDORO AIR CONTROL	1	1	2	2
26	U105701000	QUEMADOR HORNO	OVEN BURNER.	1	1	2	2
	Q042022000	TORNILLO AVELLLANADO M4X15	COUNTERSUNK BOLT M4x15	4	4	8	8
S/Nº	U052401000	TOBERA Ø 1,45 BP	NOZZLE Ø 1.45 BP	1	1	2	—
S/Nº	631000000	TOBERA Ø 1,40 BP	NOZZLE Ø 1.40 BP	—	—	—	1
S/Nº	U262400000	TOBERA Ø 2,15 GN	NOZZLE Ø 2.15 GN	1	1	2	—
S/Nº	U262400000	TOBERA Ø 2,15 GN	NOZZLE Ø 2.15 GN	—	—	—	1

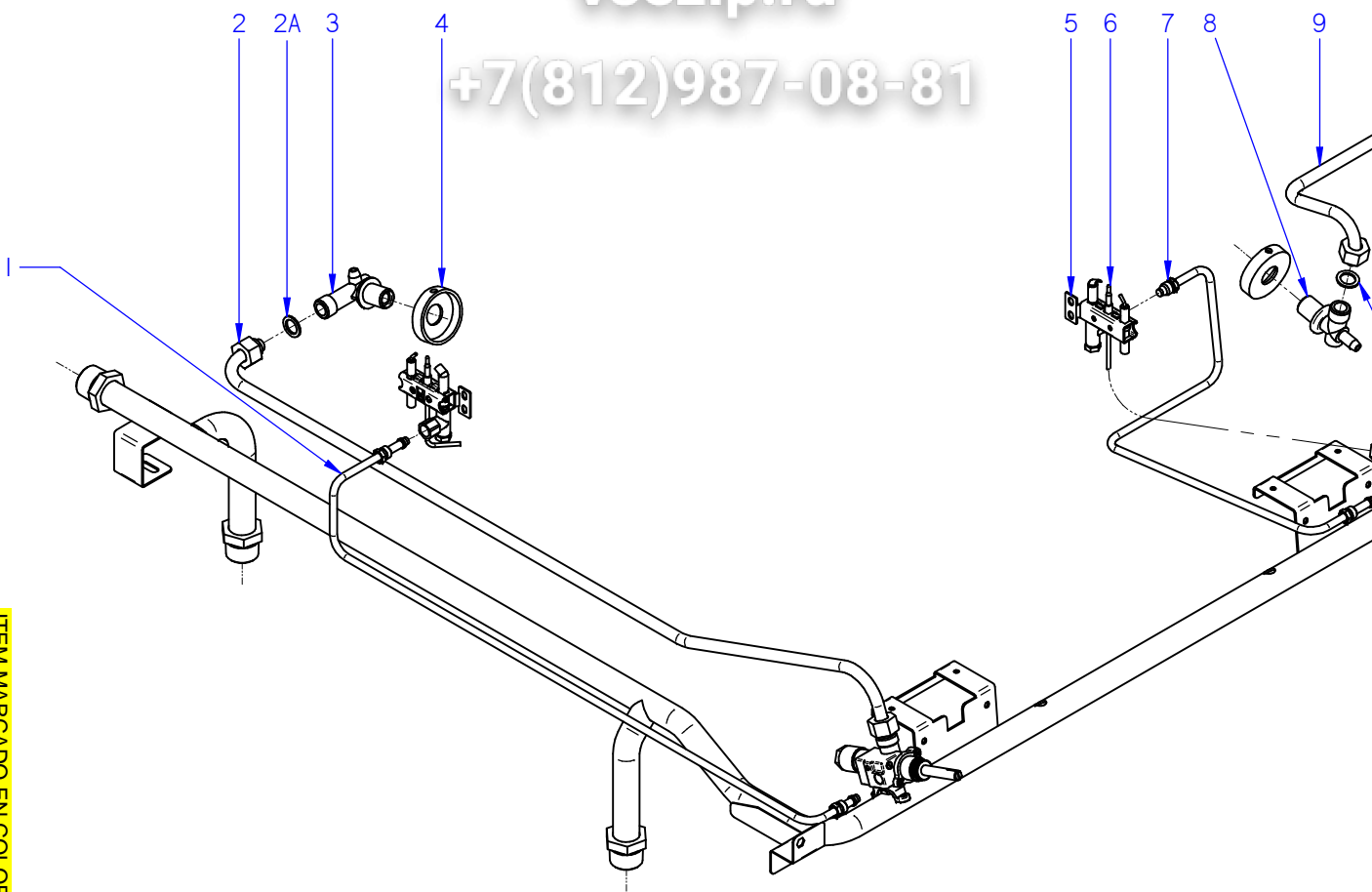
MOD.		COCINAS		ZONA					QUEMADORES / BURNERS				
ITEM	CODIGO	DENOMINACION	TEXTO	CG9-20 H	CG9-40 H	CG9-60 H	CG9-41 H	CG9-61 H	CG9-20 H	CG9-40 H	CG9-60 H	CG9-41 H	CG9-61 H
1	U022617000	LISTON SOP. QUEMADOR G900	BURNER SUPPORT STRIP	1	2	3	2	3	1	2	3	2	3
1	U022651000	LISTON SOP. QUEMADOR G900	BURNER SUPPORT STRIP	1	2	3	2	3	1	2	3	2	3
2	631000000	TOBERA Ø 1,40 BP (8000)	NOZZLE Ø 1.40 BP (8000)	1	3	5	3	5	1	3	5	3	5
2	U112402000	TOBERA Ø 2,10 GN (8000)	NOZZLE Ø 2,10 GN (8000)	1	3	5	3	5	1	3	5	3	5
3	U565700000	VENTURI QUEMADOR 8000	VENTURI BURNER 8000	1	3	5	3	5	1	3	5	3	5
4	U265702000	REGULADOR AIRE	AIR CONTROLLER	1	3	5	3	5	1	3	5	3	5
	Q132054000	VARILLA ROSCADA M6 x 12	THREADED ROD M6 x 12	1	3	5	3	5	1	3	5	3	5
	Q162004000	TUERCA EXAGONAL M6	HEXAGONAL NUT M6	1	3	5	3	5	1	3	5	3	5
5	U025710000	CUERPO QUEMADOR 8000 Kcal/H	BURNER BODY 8000 Kcal/h	1	3	5	3	5	1	3	5	3	5
	Q372004000	PASADOR ELASTICO 5x20	ELASTIC PIN 5x20	1	3	5	3	5	1	3	5	3	5
6	U915703000	PROTEC. PILOTO QUEMAD. 7000	BURNER PILOT GUARD 7000	1	3	5	3	5	1	3	5	3	5
	12093788	ESPARRAGO ALLEN M3x12	ALLEN M3x12 ROD	1	3	5	3	5	1	3	5	3	5
7	U135702500	QUEMADOR 8000	BURNER 8000	1	3	5	3	5	1	3	5	3	5
	Q371026000	MANGUITO DE SUJECION Ø 4x14	HANDLE Ø 4x14	1	3	5	3	5	1	3	5	3	5
	Q012045000	TORNILLO EXAGONAL M6x30 A304	HEXAGONAL BOLT M6x30 A304	1	3	5	3	5	1	3	5	3	5
	U565011000	TUERCA GUIA	GUIDE NUT	1	3	5	3	5	1	3	5	3	5
8	U112401000	TOBERA Ø 1,55 BP (10500)	NOZZLE Ø 1.55 BP (10500)	1	1	1	1	1	1	1	1	1	1
8	631600000	TOBERA Ø 2,40 GN (10500)	NOZZLE Ø 2.40 GN (10500)	1	1	1	1	1	1	1	1	1	1
9	U235706000	VENTURI 10.500	VENTURI 10,500	1	1	1	1	1	1	1	1	1	1
9	U235707000	VENTURI 10.500	VENTURI 10,500	1	1	1	1	1	1	1	1	1	1
10	U025706000	REGULADOR DE AIRE 10.000	AIR CONTROL 10.000	1	1	1	1	1	1	1	1	1	1
	Q132054000	VARILLA ROSCADA M6x12	THREADED ROD M6X12	1	1	1	1	1	1	1	1	1	1
	Q162004000	TUERCA EXAGONAL M6	HEXAGONAL NUT M6	1	1	1	1	1	1	1	1	1	1
11	U025711000	CUERPO QUEMADOR 10.000Kcal/H	BURNER BODY 10,000 Kcal/H	1	1	1	1	1	1	1	1	1	1
	Q371028000	MANGUITO DE SUJECION Ø 3x14	HANDLE Ø 3x14	1	2	2	2	2	1	2	2	2	2
	Q372004000	PASADOR ELASTICO 5x20	ELASTIC PIN 5x20	1	1	1	1	1	1	1	1	1	1
12	U235701500	DIFUSOR 10.500 Kcal/H	DIFFUSER 10.500 Kcal/H	1	1	1	1	1	1	1	1	1	1
12	12047137	DIFUSOR 10.500 (AGUJ Y PINTA)	DIFFUSER 10.500	1	1	1	1	1	1	1	1	1	1
	Q012045000	TORNILLO EXAGONAL M6x30 A304	HEXAGONAL BOLT M6x30 A304	1	1	1	1	1	1	1	1	1	1
	Q302022000	ARANDELA 16x6x1,2 A304	WASHER 16x6x1.2 A304	1	1	1	1	1	1	1	1	1	1

MOD.		COCINAS		ZONA QUEMADORES / BURNERS				
ITEM	CODIGO	DENOMINACION	TEXTO	CG9-20 H	CG9-40 H	CG9-60 H	CG9-41 H	CG9-61 H
13	U915703000	PROTEC. PILOTO QUEMAD. 7000	BURNER PILOT GUARD 7000	1	1	1	1	1
	12093788	ESPARRAGO ALLEN M3x12	ALLEN M3x12 ROD	1	1	1	1	1
14	U025712000	PROTEC. PILOTO QUEMAD. 4000	BURNER PILOT GUARD 4000	-	-	-	-	-
	12093788	ESPARRAGO ALLEN M3x12	ALLEN M3x12 ROD	-	-	-	-	-
15	U445731500	QUEMADOR 4000 (00545-010)	BURNER 4000 (00545-010)	-	-	-	-	-
	Q012045000	TORNILLO EXAGONAL M6x30 A304	HEXAGONAL BOLT M6x30 A304	-	-	-	-	-
	Q302022000	ARANDELA 16x6x1,2 A304	WASHER 16x6x1.2 A304	-	-	-	-	-
16	U025709000	CUERPO QUEMADOR 4000Kcal/H	BURNER BODY 4000 Kcal/H	-	-	-	-	-
	Q371026000	MANGUITO DE SUJECION Ø 4x14	HANDLE Ø 4x14	-	-	-	-	-
	Q372004000	PASADOR ELASTICO 5x20	ELASTIC PIN 5x20	-	-	-	-	-
17	U265702000	REGULADOR AIRE	AIR CONTROLLER	-	-	-	-	-
	Q132042000	VARILLA ROSCADA M6 x 15	THREADED ROD M6 x 15	-	-	-	-	-
	Q162004000	TUERCA EXAGONAL M6	HEXAGONAL NUT M6	-	-	-	-	-
18	U125720000	VENTURI QUEMADOR 4000 kcl	VENTURI BURNER 4000 kcl	-	-	-	-	-
19	X312400000	TOBERA Ø 1,10 BP (4000)	NOZZLE Ø 1.10 BP (4000)	-	-	-	-	-
19	R302400000	TOBERA Ø 1,65 GN (4000)	NOZZLE Ø 1.65 GN (4000)	-	-	-	-	-
20	U915613000	DEFLECTOR QUEMADOR HORNO	OVEN BURNER DEFLECTOR	-	-	-	2	2
	Q152004000	TORNIL, APLASTADO M5x13 A304	FLAT HEADED BOLT M5x13 A304	-	-	-	1	1
	Q302022000	ARANDELA 16x6x1,2 A304	WASHER 16x6x1.2 A304	-	-	-	1	1
22	U105635000	AMARRE QUEMADOR HORNO(HG)	OVEN BURNER FASTENING (HG)	-	-	-	1	1
	Q012031000	TORNILLO EXAGONAL M5x10 A304	HEXAGONAL BOLT M5x10 A304	-	-	-	2	2
	Q222041000	REMACHE EXAGONAL M4 (INOX)	HEXAGONAL RIVET M4 (INOX)	-	-	-	4	4
23	X505724000	MANGUITO PORTATOBERAS	NOZZLE HOLDER SLEEVE	-	-	-	1	1
24	Q223019000	TUERCA 3/8 GAS LATÓN	NUT 3/8 GAS BRASS	-	-	-	1	1
25	X505013000	REGULADOR DE AIRE POLIDORO	POLIDORO AIR CONTROL	-	-	-	1	1
	Q031322000	TORNILLO ALOMADO M4X15	CURVED SCREW M4X15	-	-	-	1	1
26	U105701000	QUEMADOR HORNO	OVEN BURNER.	-	-	-	1	1
	Q042022000	TORNILLO AVELLLANADO M4X15	COUNTERSUNK BOLT M4x15	-	-	-	4	4
S/Nº	U052401000	TOBERA Ø 1,45 BP	NOZZLE Ø 1.45 BP	-	-	-	1	1
S/Nº	U262400000	TOBERA Ø 2,15 GN	NOZZLE Ø 2.15 GN	-	-	-	1	1

Зип Общепит

vsezip.ru

+7(812)987-08-81



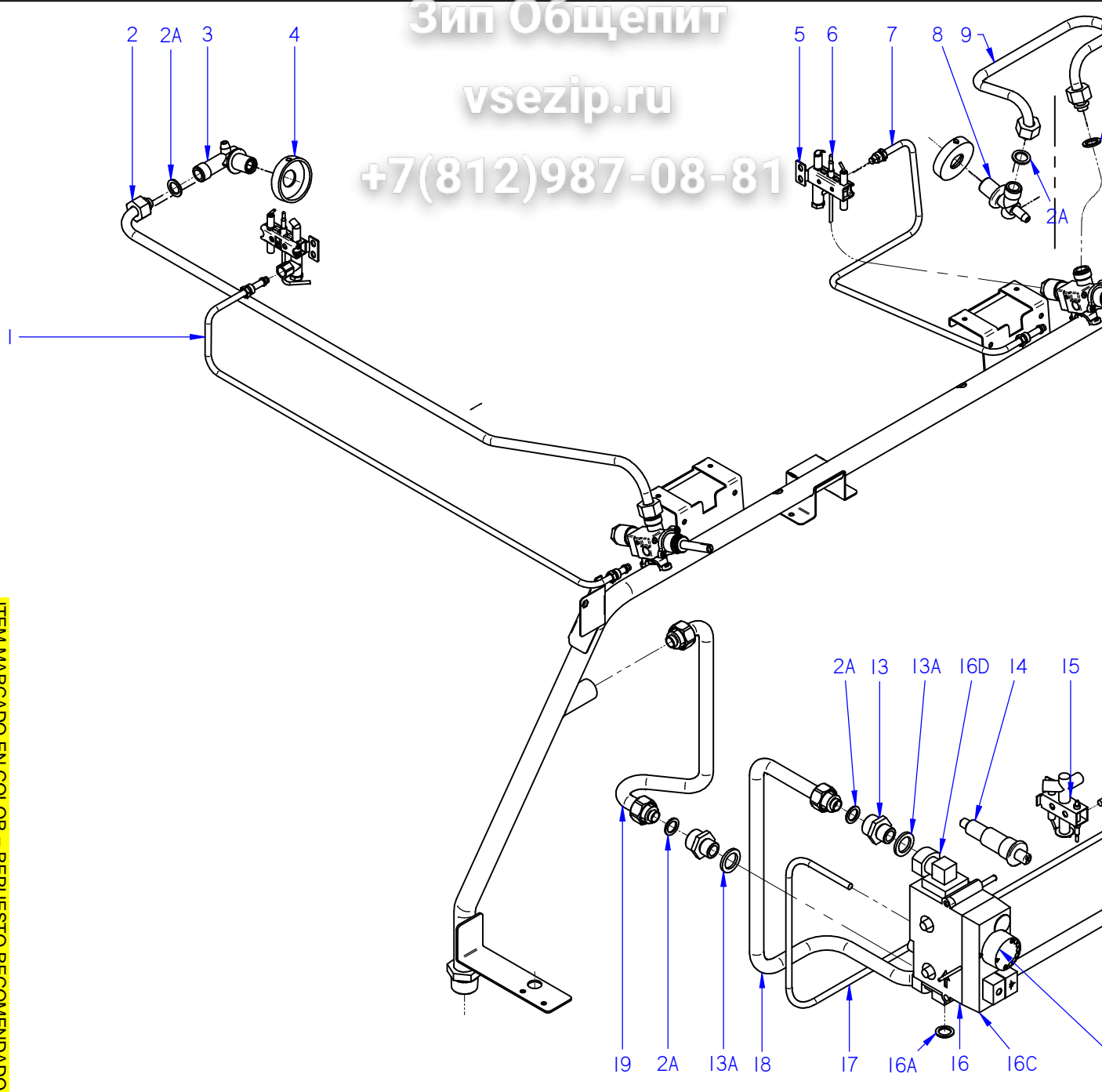
ITEM MARCADO EN COLOR = REPUESTO RECOMENDADO
COLOURED ITEM = RECOMMENDED SPARE PART

N plano	Firma	Fecha	Aparato	Lamina	Orden
C-2344	<i>(Firma)</i>	2016-01	CONDUCCIONES Y GRIFOS COCINA CG9-20 / 40 / 60 / CGE9-41	5	Fagor Industrial S. Coop. FAGOR

Зип Общепит

vsezip.ru

+7(812)987-08-81



ITEM MARCADO EN COLOR = REPUUESTO RECOMENDADO
COLOURED ITEM = RECOMMENDED SPARE PART

N plano C-2345	Firma <i>(Signature)</i>	Fecha 2016-01	Aparato CONDUCCIONES Y GRIFOS	Lamina 6	Fogor Industrial S.Coop. Onete
COCINA CG9-41 / 61 / 82 / 61 OP					



Зип Общепит

MOD. COCINAS ZCNA CONDUCCIONES Y GRIFOS / PIPES AND TAPS

vsezip.ru

+7(812)987-08-81

ITEM	CODIGO	DENOMINACION	TEXTO	CG9-41	CG9-61	CG9-82	CG9-61 OP	
11	U022117000	MANDO MONT COCINA GAS Ø8	GAS COOK. ASSEMBLY CTRL Ø8	4	6	8	6	
12	U025039000	DISTRIBUIDOR COMPLET. CG9-41	COMPLETE DISTRIBUTOR CG9-41	1	-	2	-	
12	U025066000	DISTRIBUIDOR COMPLET. CG9-41	COMPLETE DISTRIBUTOR CG9-41	1	-	2	-	
12	U035004000	DISTRIBUIDOR COMPLET. CG9-61	COMPLETE DISTRIBUTOR CG9-61	-	1	-	1	
12	U035005000	DISTRIBUIDOR COMPLET. CG9-61	COMPLETE DISTRIBUTOR CG9-61	-	1	-	1	
	Q152004000	TORNILLO APLASTADO M5x13	FLAT HEAD SCREW M5X13	2	2	8	2	
13	U202103000	MANGUITO REDUCCION 1/2-3/8"	REDUCTION HOSE 1/2-3/8"	2	2	4	2	
13A	12010057	ARANDELA 23,5X17,60X1,5	WASHER 23,5X17,60X1,5	2	2	4	2	
14	S113034000	PIEZOELECTRICO	PIEZOELECTRIC	1	1	2	1	
14	12043897	PIEZOELECTRICO COMPLETO	COMPLETE PIEZOELECTRIC	1	1	2	1	
S/Nº	12043907	ANILLO ADAPTADOR	ADAPTER RING	1	1	2	1	
15	U322118000	PILOTO COMPLETO 100.062	COMPLETE PILOT LIGHT 100,062	1	1	2	1	
S/Nº	X022131000	BUJIA	SPARK PLUG	1	1	2	1	
S/Nº	U442137000	INYECTOR Ø 0,4 GN	INJECTOR Ø 0.4 GN.	1	1	2	1	
S/Nº	U562130000	TERMOPAR L=850	THERMOCOUPLE L=850	1	1	2	1	
16	12009530	VALVULA MINISIT 0710.654	VALVE MINISIT 0710.654	1	1	2	1	
16A	12010282	JUNTA TORICA 25,4x20,2x2,6	O-RING 25.4x20.2x2.6	2	2	4	2	
16B	12008789	MANDO NEGRO MINI 916.124	BLACK CTRL. MINI 916.124	1	1	2	1	
16C	12008932	CUBIERTA MINISIT 903.052	COVER MINISIT 903.052	1	1	2	1	
16D	12008944	RACOR 3/8 906.252	CONNECTION 3/8 906.252	2	2	4	2	
17	U025062000	TUBO PILOTO EUROSIT QUEM.	PILOT PIPE EUROSIT BURNER	1	1	2	-	
17	U105008000	TUBO PILOTO HORNO	PILOT PIPE BURNER	-	-	-	1	
S/Nº	12008715	RACORD BICONO 6 958.031	BICONE CONNECTION 6 958.031	2	2	4	2	
18	U025061000	TUBO COMPLETO EUROSIT QUEMA.	COMPLETE PIPE EUROSIT BURNER	1	1	2	-	
18	U105002000	TUBO COMPLETO QUEMADOR	COMPLETE PIPE BURNER	-	-	-	1	
19	U025050000	ENTRADA MINISIT COMPL CG900	INPUT MINISIT COMPL CG900	1	1	2	1	

Зип Общепит

MOD. COCINAS ZCNA CONDUCCIONES Y GRIFOS / PIPES AND TAPS

vsezip.ru

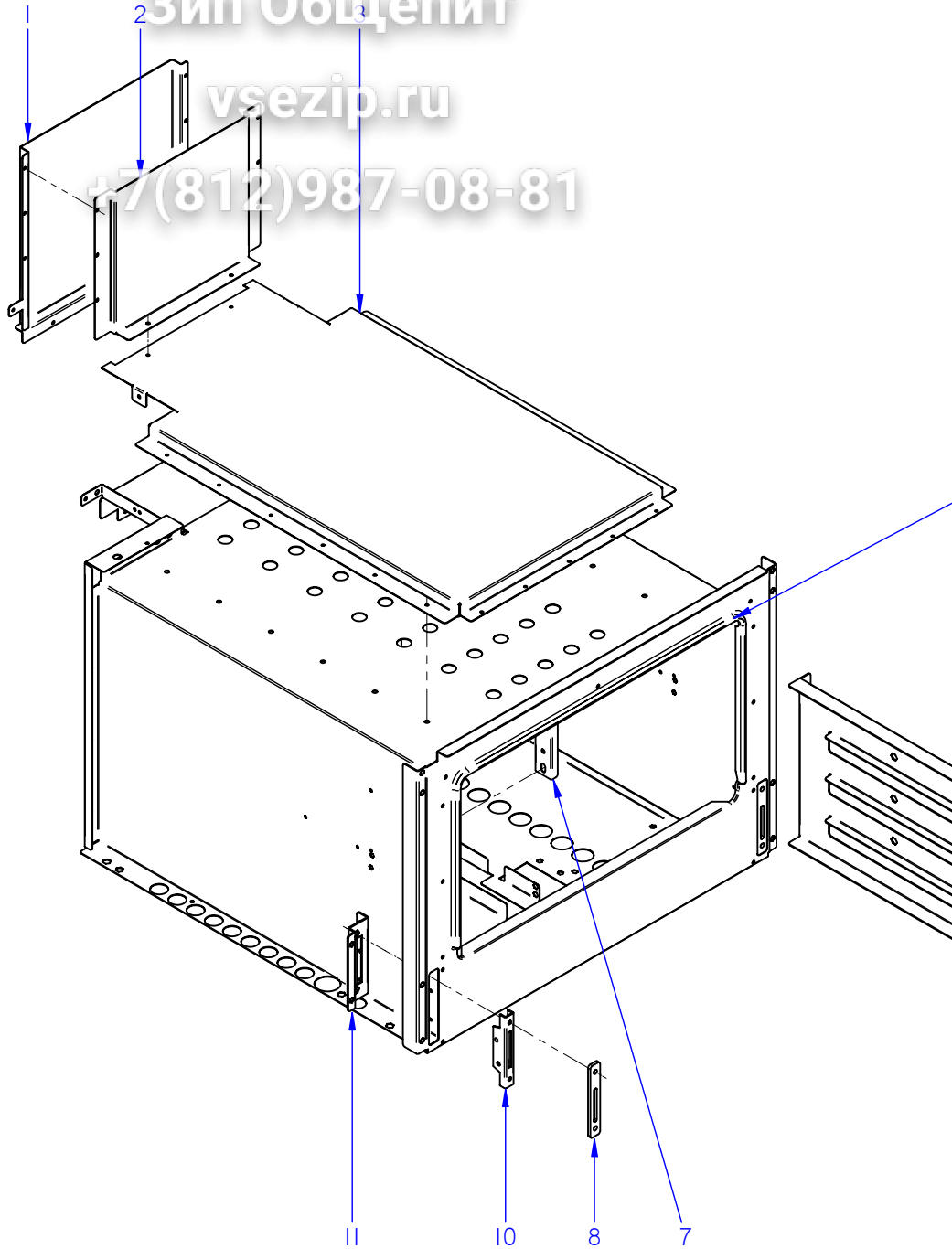
+7(812)987-08-87

ITEM	CODIGO	DENOMINACION	TEXTO	CG9-20 H	CG9-40 H	CG9-60 H	CG9-41 H	CG9-61 H
11	U022117000	MANDO MONT COCINA GAS Ø8	GAS COOK. ASSEMBLY CTRL Ø8	2	4	6	4	6
12	U015010000	DISTRIBUIDOR COMPLET. CG9-20	COMPL. DISTRIBUTOR CG9-20	1				
12	U025042000	DISTRIBUIDOR COMPLET. CG9-40	COMPL. DISTRIBUTOR CG9-40		1			
12	U075004000	DISTRIBUIDOR COMPLET. CG9-60	COMPL. DISTRIBUTOR CG9-60			1		
12	U025039000	DISTRIBUIDOR COMPLET. CG9-41	COMPLETE DISTRIBUTOR CG9-41				1	
12	U035004000	DISTRIBUIDOR COMPLET. CG9-61	COMPLETE DISTRIBUTOR CG9-61					1
13	U202103000	MANGUITO REDUCCION 1/2-3/8"	REDUCTION HOSE 1/2-3/8"				2	2
13A	12010057	ARANDELA 23,5X17,60X1,5	WASHER 23,5X17,60X1,5				2	2
14	S113034000	PIEZOELECTRICO	PIEZOELECTRIC				1	1
14	12043897	PIEZOELECTRICO COMPLETO	COMPLETE PIEZOELECTRIC				1	1
S/Nº	12043907	ANILLO ADAPTADOR	ADAPTER RING				1	1
15	U322118000	PILOTO COMPLETO 100.062	COMPLETE PILOT LIGHT 100,062				1	1
S/Nº	X022131000	BUJIA	SPARK PLUG				1	1
S/Nº	U442137000	INYECTOR Ø 0,4 GN	INJECTOR Ø 0.4 GN.				1	1
S/Nº	U562130000	TERMOPAR L=850	THERMOCOUPLE L=850				1	1
16	12009530	VALVULA MINISIT 0710.654	VALVE MINISIT 0710.654				1	1
16A	12010282	JUNTA TORICA 25,4x20,2x2,6	O-RING 25.4x20.2x2.6				2	2
16B	12008789	MANDO NEGRO MINI 916.124	BLACK CTRL. MINI 916.124				1	1
16C	12008932	CUBIERTA MINISIT 903.052	COVER MINISIT 903.052				1	1
16D	12008944	RACOR 3/8 906.252	CONNECTION 3/8 906.252				2	2
17	U025062000	TUBO PILOTO EUROSIT QUEM.	PILOT PIPE EUROSIT BURNER				1	1
17	U105008000	TUBO PILOTO HORNO	PILOT PIPE BURNER					
S/Nº	12008715	RACORD BICONO 6 958.031	BICONE CONNECTION 6 958.031				2	2
18	U025061000	TUBO COMPLETO EUROSIT QUEMA.	COMPLETE PIPE EUROSIT BURNER				1	1
18	U105002000	TUBO COMPLETO QUEMADOR	COMPLETE PIPE BURNER					
19	U025050000	ENTRADA MINISIT COMPL CG900	INPUT MINISIT COMPL CG900				1	1

Зип Общепит

vsezip.ru

+7(812)987-08-81



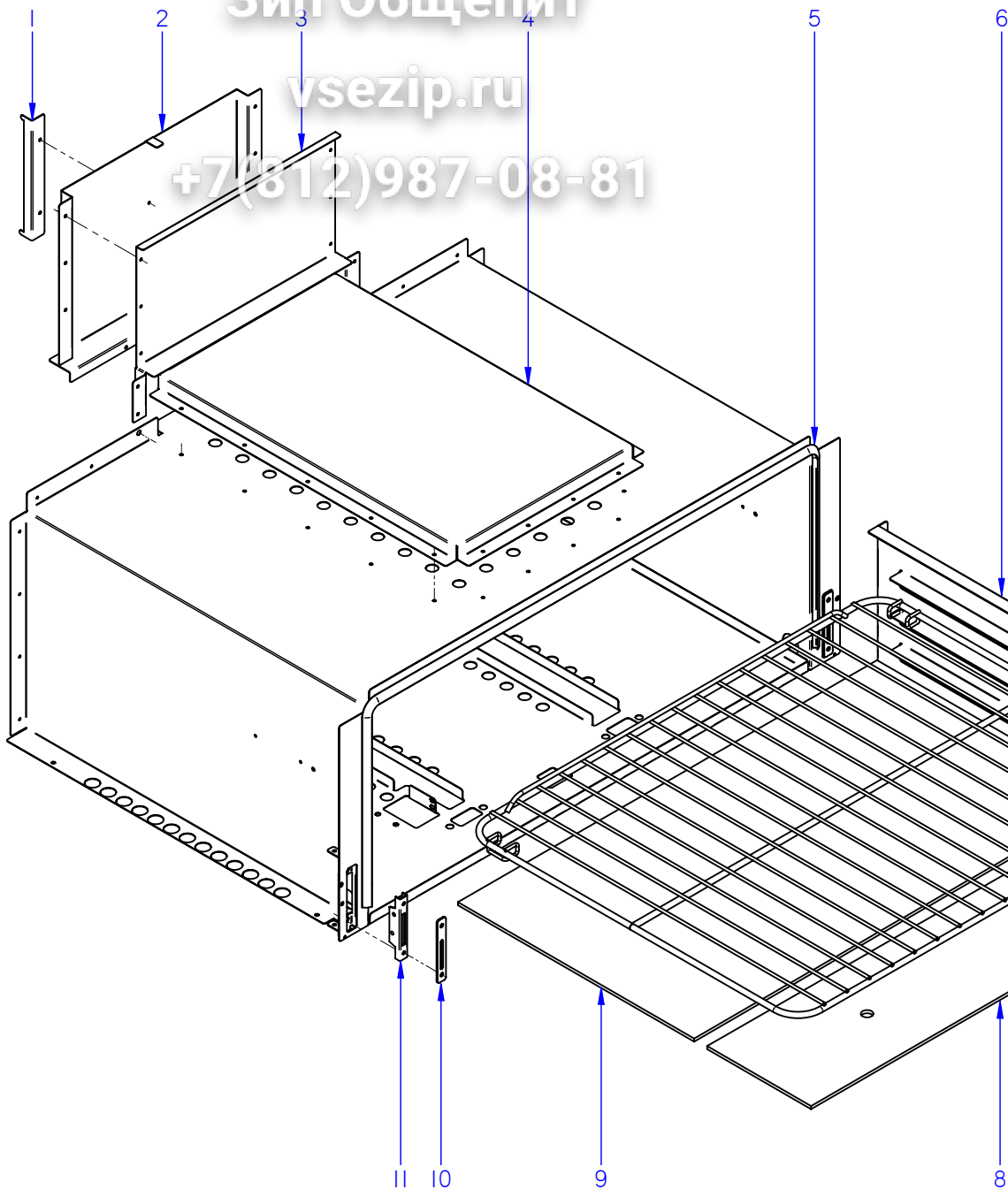
ITEM MARCADO EN COLOR = REPUESTO RECOMENDADO
COLOURED ITEM = RECOMMENDED SPARE PART

N plano	Firma	Fecha	Aparato	HORNO	Lamina	Fagor Industrial S. Coop. FAGOR Orre
C-2346	<i>(Signature)</i>	2009-06	COCINA CG9-41 / CG9-61 / CG9-82		7	

Зип Общепит

vsezip.ru

+7(812)987-08-81



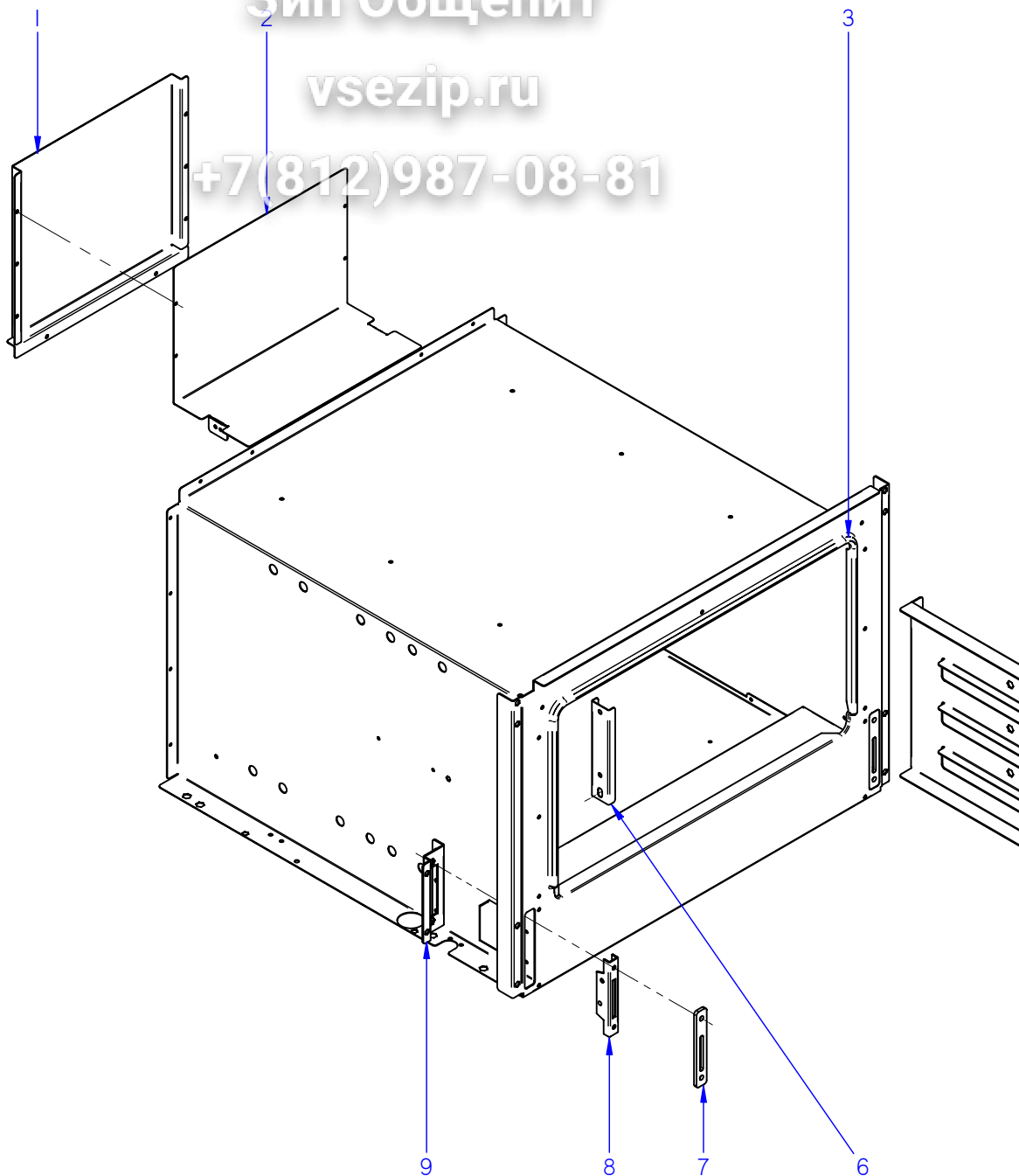
ITEM MARCADO EN COLOR = REPUESTO RECOMENDADO
COLOURED ITEM = RECOMMENDED SPARE PART

N plano	Firma	Fecha	Aparato	HORNO	Lamina	Fagor Industrial S. Coop. FAGOR Onete
C-2347		2009-06	COCINA CG9-61 OP		8	

Зип Общепит

vsezip.ru

+7(812)987-08-81



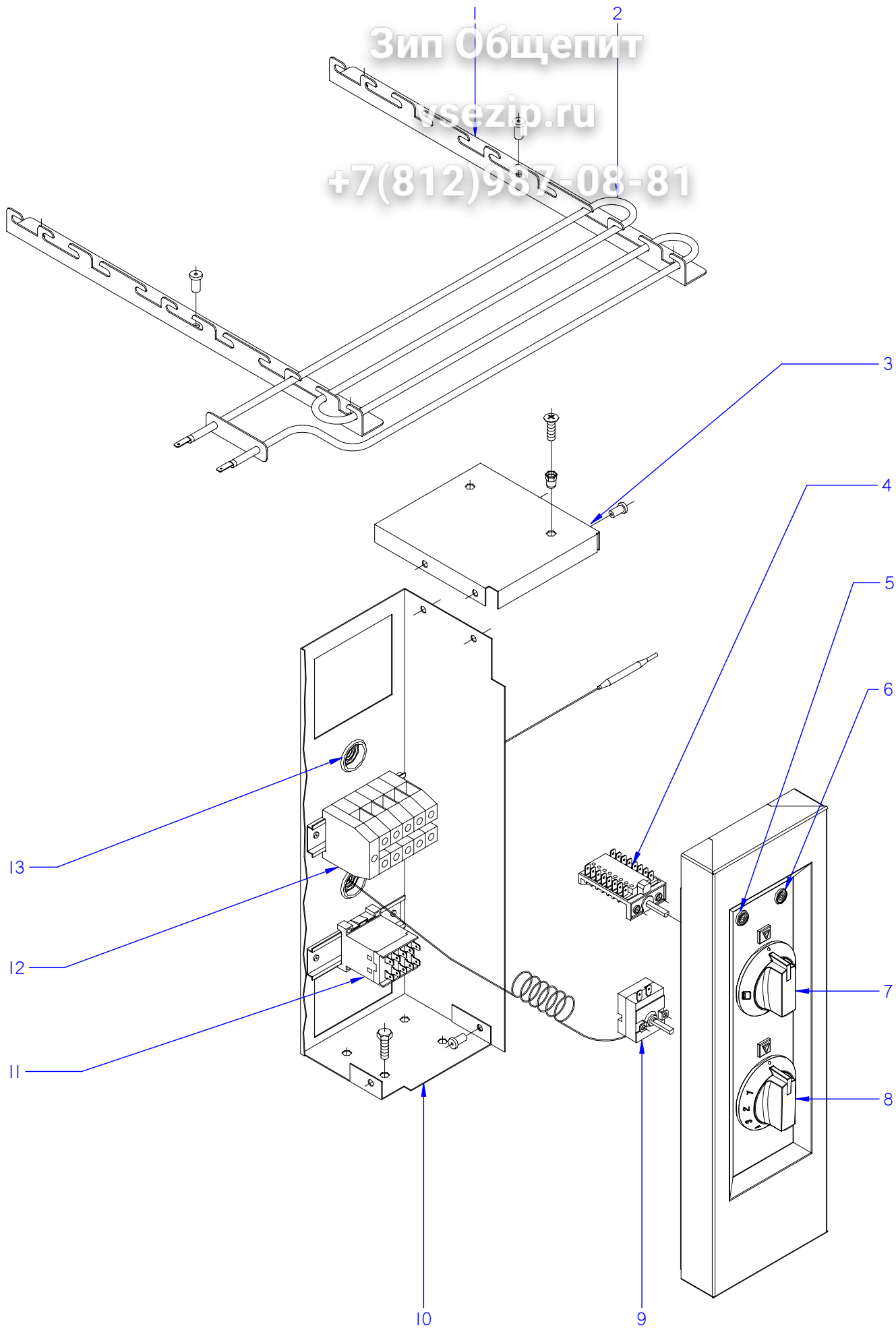
ITEM MARCADO EN COLOR = REPUESTO RECOMENDADO
COLOURED ITEM = RECOMMENDED SPARE PART

N plano	Firma	Fecha	Aparato	HORNO	Lamina	Fagor Industrial S. Coop. FAGOR Onete
C-2348	<i>(Firma)</i>	2009-06	COCINA GEE9-41		9	

Зип Общепит

vsezip.ru

+7(812)987-08-81



ITEM MARCADO EN COLOR = REPUESTO RECOMENDADO
COLOURED ITEM = RECOMMENDED SPARE PART

N plano	Firma	Fecha	Aparato	CONJUNTO FUNCIONAL ELECTRICO	Lamina	Fagor Industrial S.Coop. FAGOR
C-2349	<i>[Signature]</i>	2009-06	COCINA CGE9-41		10	Oñate

MOD.	COCINAS	ZCNA	CONJUNTO FUNCIONAL ELECTRICO					
		+7(812)987-08-811						
ITEM	CODIGO	DENOMINACION	TEXTO	CGE9-41				
1	U805613000	ESCUADRA SOPOR. RESISTENCIAS	SUPP. BRACKET RESISTORS	4				
	Q419005000	REMACHE 4x8 ALMG3 / ALUMINIO	RIVET 4X8 ALMG3 / ALUMINIUM	12				
2	U803004000	RESISTENCIA 1000W/230V	RESISTOR 1000W -230V	6				
3	U673051000	TAPA DE CUADRO ELECTRICO	ELECTRIC PANEL COVER	1				
	Q419005000	REMACHE 4x8 ALMG3 / ALUMINIO	RIVET 4X8 ALMG3 / ALUMINIUM	4				
	Q419005000	REMACHE 4x8 ALMG3 / ALUMINIO	RIVET 4X8 ALMG3 / ALUMINIUM	2				
	Q221342000	REMACHE EXAGONAL M5	HEXAGONAL RIVET M5	2				
	Q012032000	TORNILLO EXAGONAL M5x15 A304	HEXAGONAL BOLT M5x15	2				
	Q012032000	TORNILLO EXAGONAL M5x15 A304	HEXAGONAL BOLT M5x15	2				
4	U673006000	CONMUTADOR	SWITCH	1				
	Q151320000	TORNILLO ALOMADO M4x6 H.ZINC.	CURVED SCREW M4X6 H. ZINC	2				
5	R693055000	PILOTO VERDE 41227000C7	GREEN PILOT 41227000C7	1				
5	12047390	PILOTO VERDE 230V AC 8KW 16MM	GREEN PILOT 230V AC 8KW 16MM	1				
6	R693056000	PILOTO AMBAR	AMBER PILOT	1				
6	12024669	PILOTO AMBAR Ø18	AMBER PILOT Ø18	1				
7	U173006000	MANDO MONTADO CE Ø6	CONTROL CE Ø6	1				
8	U173005000	MANDO CE Ø6 TERMOSTATO	CONTROL Ø6 THERMOSTAT	1				
9	X153000000	TERMOSTATO 50-310° C	THERMOSTAT 50-310 C	1				
	Q151320000	TORNILLO ALOMADO M4x6 H.ZINC.	CURVED SCREW M4X6 H. ZINC	2				
10	U673050000	CUADRO ELECTRICO	ELECTRICAL PANEL	1				
11	Z213007000	CONTACTOR 3TF2010-3AL2	CONTACTOR 3TF2010-3AL2	1				
	R663055000	GUIA CONTACTOR L-120	CONTACTOR GUIDE L-120	1				
	Q419005000	REMACHE 4x8 ALMG3 / ALUMINIO	RIVET 4X8 ALMG3 / ALUMINIUM	4				
12	P453025000	BORNES 10 WDU-10203.0	TERMINALS 10 WDU-10203.0	3				
	U803009000	BORNA PASO AZUL 16 MM.	BLUE TAP TERMINAL 16MM	1				
	Z263302000	BORNA NEUTRO AZUL 57A 10mm	BLUE NEUTRAL TERMINAL 57A	1				
	P453026000	BORNA TIERRA 10 WPE-10103.0	TERMINAL TIER 10 WPE-10103.0	1				
	Z263303000	TOPE FINAL	END STOP	1				
	R663055000	GUIA CONTACTOR L-120	CONTACTOR GUIDE L-120	1				
13	X723014000	PASAMUROS AMETRO 30		2				

Зип Общепит

MOD.	COCINAS	ZONA	PIEZAS ESPECIFICAS PARA LA VERSION AUSTRALIA					
		vsezip.ru						
		+7(812)987-08-81						
ITEM	CODIGO	DENOMINACION	TEXTO	CG9-2000	CG9-40 A	CG9-60 A	CG9-41 A	CG9-61 A
		PIEZAS A ELIMINAR	PARTS TO BE REMOVED					
2	U112402000	TOBERA Ø 2,10 GN (8000)	NOZZLE Ø 2,10 GN (8000)	1	1	2	1	2
8	U112401000	TOBERA Ø 1,55 BP (10500)	NOZZLE Ø 1.55 BP (10500)	1	1	1	1	1
8	631600000	TOBERA Ø 2,40 GN (10500)	NOZZLE Ø 2.40 GN (10500)	1	1	1	1	1
9	U235706000	VENTURI 10.500	VENTURI 10,500	1	1	1	1	1
10	U025706000	REGULADOR DE AIRE 10.000	AIR CONTROL 10.000	1	1	1	1	1
12	U235701500	DIFUSOR 10.500 Kcal/H	DIFFUSER 10.500 Kcal/H	1	1	1	1	1
12	12047137	DIFUSOR 10.500 (AGUJ Y PINTA)	DIFFUSER 10.500	1	1	1	1	1
14	U025712000	PROTEC. PILOTO QUEMAD. 4000	BURNER PILOT GUARD 4000	1	2	3	2	3
15	U445731500	QUEMADOR 4000 (00545-010)	BURNER 4000 (00545-010)	1	2	3	2	3
16	U025709000	CUERPO QUEMADOR 4000Kcal/H	BURNER BODY 4000 Kcal/H	1	2	3	2	3
18	U125720000	VENTURI QUEMADOR 4000 kcl	VENTURI BURNER 4000 kcl	1	2	3	2	3
19	X312400000	TOBERA Ø 1,10 BP (4000)	NOZZLE Ø 1.10 BP (4000)	1	2	3	2	3
19	R302400000	TOBERA Ø 1,65 GN (4000)	NOZZLE Ø 1.65 GN (4000)	1	2	3	2	3
S/Nº	U022620000	POSICIONADOR PORTATOB. G900	NOZZLE-HOLDER POSITION. G900	1	1	1	1	1
10	U912115000	GRIFO 18700 BY-PASS 0,75	TAP 18700 BY-PASS 0.75	1	2	3	2	3
10	U912117000	GRIFO 18700 BY-PASS 1,45	TAP 18700 BY-PASS 1.45	1	1	1	1	1
		PIEZAS A INTRODUCIR	PARTS TO BE INCLUDED					
2	631000000	TOBERA Ø 1,40 BP (8000)	NOZZLE Ø 1.40 BP (8000)	1	3	4	3	4
2	U054400000	TOBERA Ø 2,50 GN (8000)	NOZZLE Ø 2,50 GN (8000)	1	4	6	4	6
3	U565700000	VENTURI QUEMADOR 8000	VENTURI BURNER 8000	1	3	4	3	4
4	U265702000	REGULADOR AIRE	AIR CONTROLLER	1	1	1	1	1
5	U025710000	CUERPO QUEMADOR 8000 Kcal/H	BURNER BODY 8000 Kcal/h	1	3	4	3	4
6	U915703000	PROTEC. PILOTO QUEMAD. 7000	BURNER PILOT GUARD 7000	1	2	3	2	3
7	U135702500	QUEMADOR 8000	BURNER 8000	1	3	4	3	4
4	U022619000	POSICIONADOR PORTATOB. 4000	NOZZLE-HOLDER POSITION. 4000	1	1	1	1	1
10	U912109000	GRIFO 18700 BY-PASS 1,15	TAP 18700 BY-PASS 1.15	1	3	4	3	4

Зип Общепит

MOD.		COCINAS		vsezip.ru		REPUESTOS RECOMENDADOS RECOMMENDED SPARE PART				
ITEM	CODIGO	DENOMINACION	TEXTO	CG9-20	CG9-40	CG9-60	CG9-41	CG9-61		
17	U020528000	BISAGRA CIERRE HORNO	OVEN LOCK HINGE	—	—	—	2	2		
5	12005260	PILOTO COMPL. COCINAS 1 LLAM	1 FLAME COMPLETE PILOT	2	4	6	4	6		
S/Nº	U442137000	INYECTOR Ø 0,4 GN	INJECTOR Ø 0.4 GN.	2	4	6	4	6		
6	U222130000	TERMOPAR L=600	THERMOCOUPLE L=600	1	2	3	—	—		
S/Nº	U262130000	TERMOPAR L=1000	THERMOCOUPLE L=1000	1	2	3	—	—		
10	U912115000	GRIFO 18700 BY-PASS 0,75	TAP 18700 BY-PASS 0.75	1	2	3	—	—		
10	U912109000	GRIFO 18700 BY-PASS 1,15	TAP 18700 BY-PASS 1.15	1	1	2	—	—		
10	U912117000	GRIFO 18700 BY-PASS 1,45	TAP 18700 BY-PASS 1.45	—	1	1	—	—		
6	U222130000	TERMOPAR L=600	THERMOCOUPLE L=600	—	—	—	2	3		
S/Nº	U262130000	TERMOPAR L=1000	THERMOCOUPLE L=1000	—	—	—	2	3		
10	U912115000	GRIFO 18700 BY-PASS 0,75	TAP 18700 BY-PASS 0.75	—	—	—	2	3		
10	U912109000	GRIFO 18700 BY-PASS 1,15	TAP 18700 BY-PASS 1.15	—	—	—	1	2		
10	U912117000	GRIFO 18700 BY-PASS 1,45	TAP 18700 BY-PASS 1.45	—	—	—	1	1		
14	12043897	PIEZOELECTRICO COMPLETO	COMPLETE PIEZOELECTRIC	—	—	—	1	1		
S/Nº	12043907	ANILLO ADAPTADOR	ADAPTER RING	—	—	—	1	1		
15	U322118000	PILOTO COMPLETO 100.062	COMPLETE PILOT LIGHT 100,062	—	—	—	1	1		
S/Nº	U442137000	INYECTOR Ø 0,4 GN	INJECTOR Ø 0.4 GN.	—	—	—	1	1		
S/Nº	U562130000	TERMOPAR L=850	THERMOCOUPLE L=850	—	—	—	1	1		
16	12009530	VALVULA MINISIT 0710.654	VALVE MINISIT 0710.654	—	—	—	1	1		
16B	12008789	MANDO NEGRO MINI 916.124	BLACK CTRL. MINI 916.124	—	—	—	1	1		
4	U965613000	JUNTA HORNO FIBRA DE VIDRIO	FURNACE FIBERGLASS BOARD	—	—	—	1	1		
10	12041846	GUIA BISAGRA G700 Y G900	HINGE GUIDE G700 Y G900	—	—	—	2	2		
5	U105605000	JUNTA PUERTA HG (INOX)	HG DOOR SEAL INOX.	—	—	—	—	—		
11	12041846	GUIA BISAGRA G700 Y G900	HINGE GUIDE G700 Y G900	—	—	—	—	—		
3	U965613000	JUNTA HORNO FIBRA DE VIDRIO	FURNACE FIBERGLASS BOARD	—	—	—	—	—		
8	12041846	GUIA BISAGRA G700 Y G900	HINGE GUIDE G700 Y G900	—	—	—	—	—		
2	U803004000	RESISTENCIA 1000W/230V	RESISTOR 1000W -230V	—	—	—	—	—		
4	U673006000	CONMUTADOR	SWITCH	—	—	—	—	—		
5	12047390	PILOTO VERDE 230V AC 8KW 16MM	GREEN PILOT 230V AC 8KW 16M	—	—	—	—	—		
6	12024669	PILOTO AMBAR Ø18	AMBER PILOT Ø18	—	—	—	—	—		

