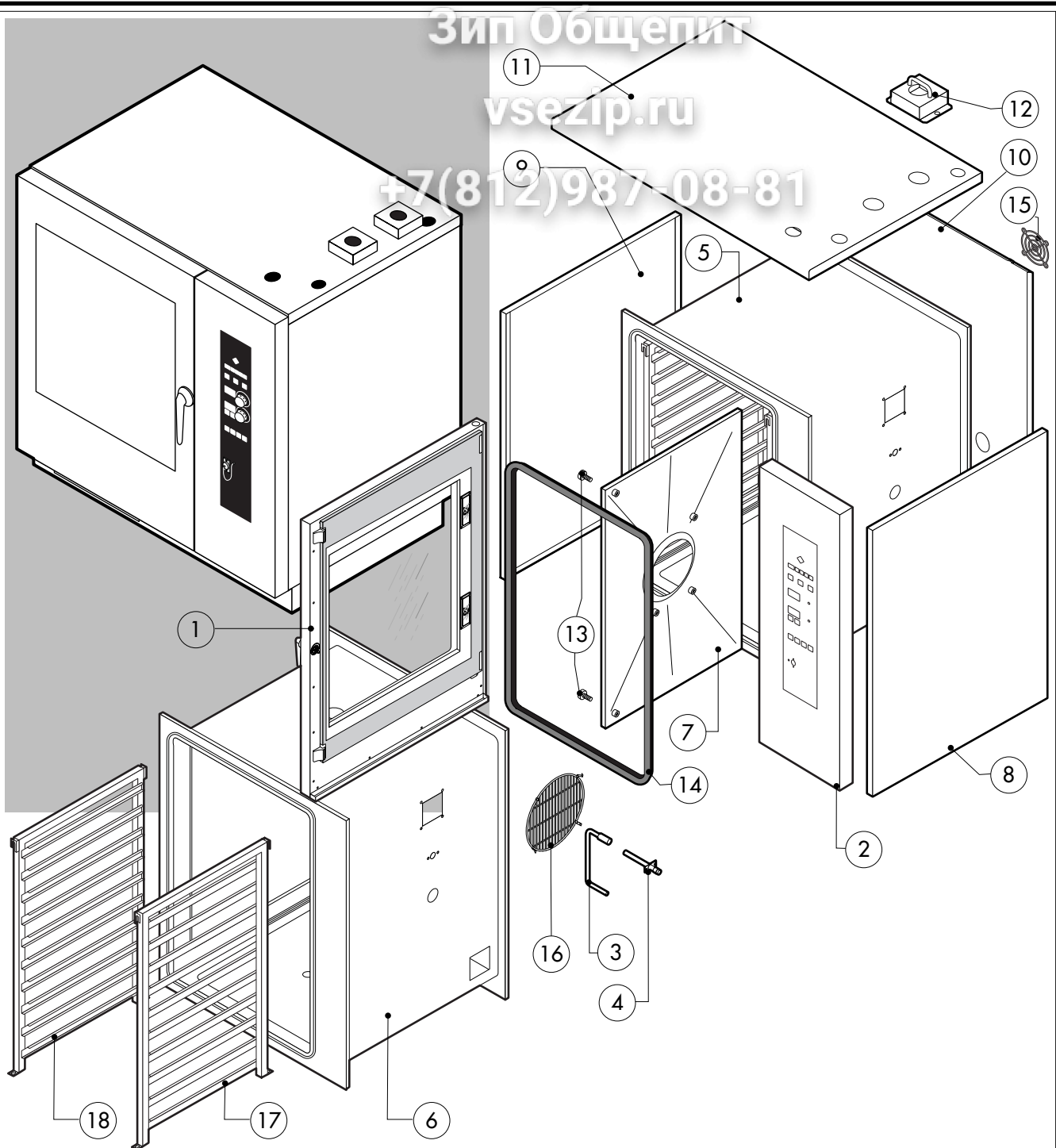


Зип Общепит

vsezip.ru

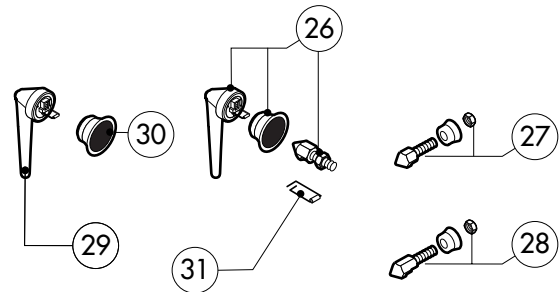
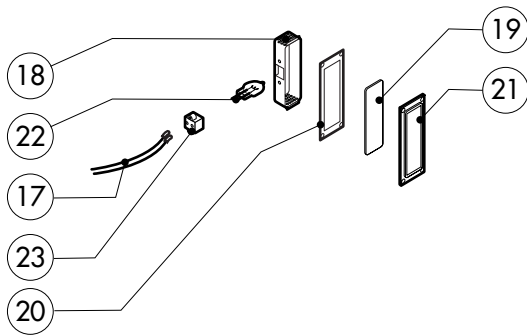
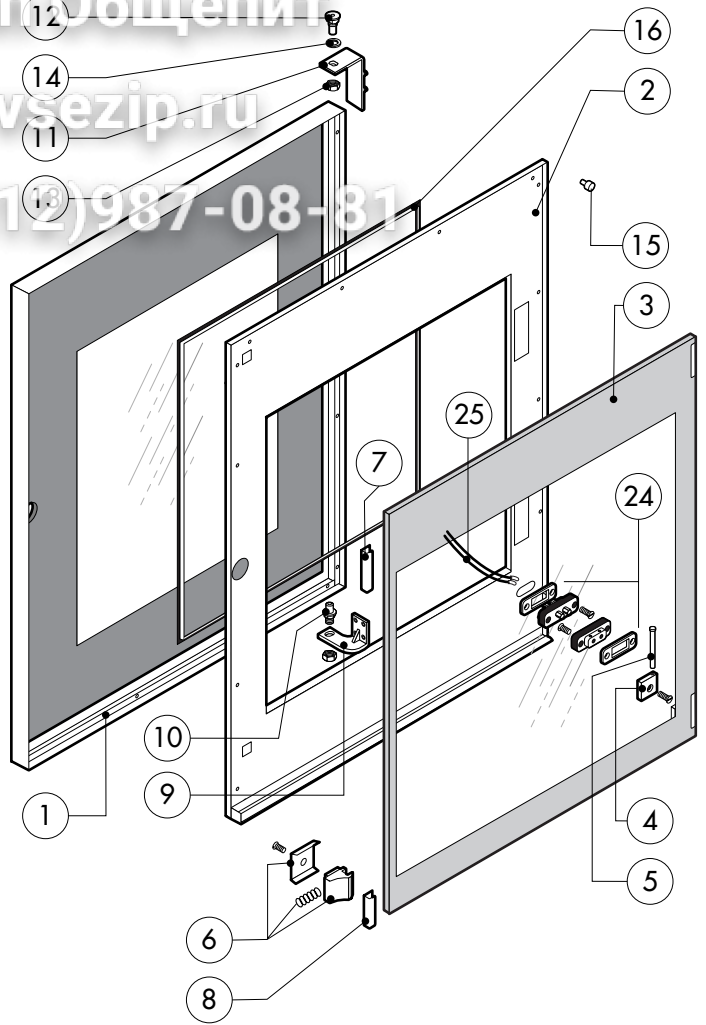
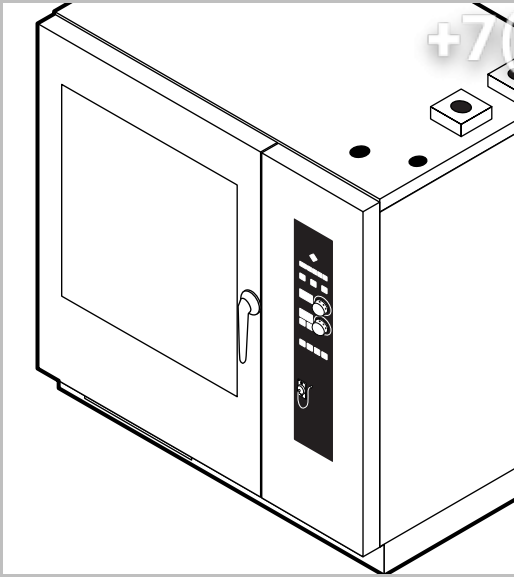
+7(812)987-08-81

016.40.184.0633 050505 DONADINI srl



POS.	CODE	PIECES	DESCRIPTION
1	R11101060	1	DOOR ASSEMBLY
2	R11207910	1	CONTROL PANEL
3	R11201990	1	SPRITZER EXTENSION
4	R11200380	1	SPRITZER UNION
5	R11203620	1	COOKING CABINET ASSEMBLY
6	R11203630	1	COOKING CABINET ASSEMBLY
7	R11203150	1	FAN GUARD PANEL ASSEMBLY
8	R11415690	1	RIGHT SIDE PANEL
9	R11415700	1	LEFT SIDE PANEL
10	R11415720	1	REAR PANEL
11	R11203740	1	COVER PANEL
12	R11402980	2	DRAINAGE PIPE PROTECTION
13	R58003100	2	FAN GUARD FASTENING SCREW
14	R70044120	1	FRONT GASKET
15	R75300020	1	FAN GUARD GRID Ø 120
16	R75300090	1	FAN GUARD GRID Ø 350
17	R11203180	1	REMOVABLE RACK DX
18	R11203190	1	REMOVABLE RACK SX

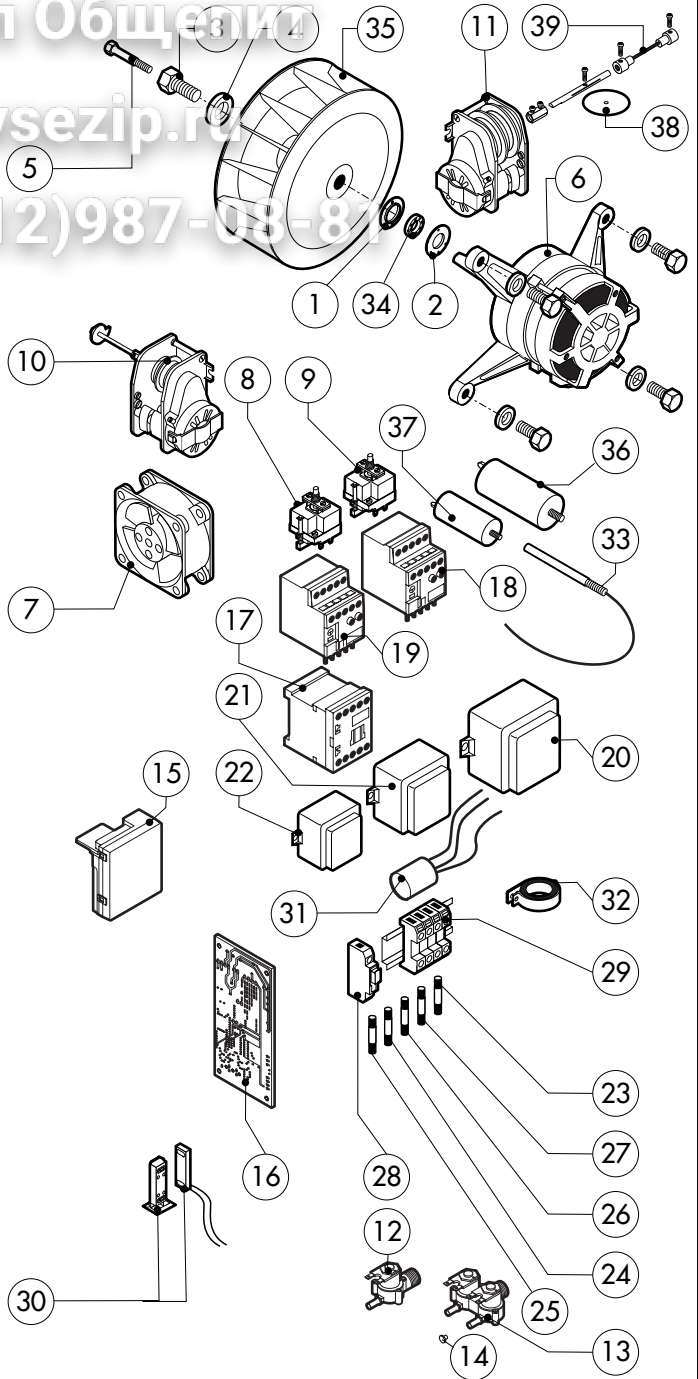
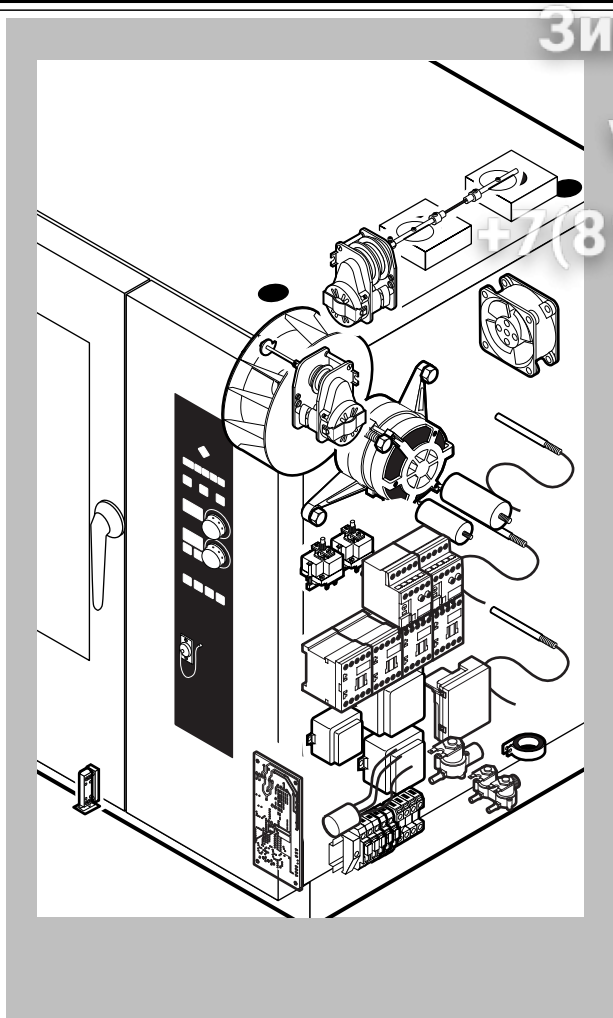
POS.	CODE	PIECES	DESCRIPTION



POS.	CODE	PIECES	DESCRIPTION
1	R11101360	1	DOOR
2	R11207360	1	INNER DOOR PANEL
3	R11100140	1	INNER DOOR GLASS
4	R58001760	2	INNER GLASS SOLID HINGE
5	R58001770	2	INNER GLASS HINGE PIN
6	R58001780	2	INNER GLASS CATCH KIT
7	R11401340	1	TOP "C" PROFILE
8	R11401360	1	LOWER "C" PROFILE
9	R11207250	1	LOWER DOOR HINGE
10	R58002520	1	LOWER HINGE PIN
11	R11200560	1	UPPER DOOR HINGE
12	R58002150	1	HINGE PIN
13	R58004050	2	NUT FOR UPPER DOOR HINGE
14	R10401710	1	WASHER FOR UPPER DOOR HINGE
15	R70050100	6	GLASS SILICON SPACERS
16	R70044150	1	GLASS GASKET
17	R66110320	1	DOOR LAMPS CABLE SET
18	R11401440	2	LAMP COVER
19	R71500150	2	GLASS LAMP

POS.	CODE	PIECES	DESCRIPTION
20	R70044200	2	LAMP GASKET
21	R11401450	2	GLASS HOLDER LAMP FLANGE
22	R65270020	2	LIGHT 20W 12V G4
23	R65270450	2	LIGHT SOCKET
24	R65260750	1	LAMPS CONTACT BLOCK
25	R66110300	1	LAMPS CONTACT CABLE SET
26	R11100300	1	DOOR HANDLE ASSEMBLY
27	R69010260	1	DOOR LATCH 1 STEP
28	R69010270	1	DOOR LATCH 2 STEP
29	R69010250	1	DOOR CATCH KIT
30	R69010630	1	INNER DOOR CATCH PLASTIC COVER
31	R61620132	1	PRONG FLANGE

Зип Обществ
 vsezip.ru
 +7(812)987-08-87



POS.	CODE	PIECES	DESCRIPTION
1	R58003840	1	MOTOR GASKET BRASS FLANGE
2	R58003850	1	MOTOR GASKET BRASS COUNTER FLANGE
3	R58004000	1	FAN SCREW M12x1.5 SX
4	R58004010	1	FAN WASHER Ø 30/12.5
5	R61020562	1	FAN SCREW TE A2 M6x55
6	*R65040031	1	MOTOR 055/015 KW KIT
7	R65060050	2	COMPONENTS VENTILATION MOTOR Ø 120
8	R65070350	1	CHAMBER SAFETY THERMOSTAT
9	R65070081	1	STEAM GENERATOR SAFETY THERMOSTAT
10	R65095000	1	DAMPER SYSTEM
11	R65090240	1	DRAIN MOTOR
12	R65110200	1	SOLENOID VALVE 220V 50HZ
13	R65110210	1	SOLENOID VALVE 220V 50HZ WITH FLOW REDUCER
14	R65110510	1	15 LT/H WATER FLOW REDUCER
15	R63060120	1	BURNER IGNITION PANEL
16	R63130020	1	GAS BURNER FAN MOTOR PCBOARD
17	*R65140380	4	CONTACTOR 3RT1016-1AP02 240V
18	*R65160580	1	THERMIC PROTECTION 3RU1116-1CB0 1,8-2,5A
19	*R65160600	1	THERMIC PROTECTION 3RU1116-1FB0 3,5-5,0A
20	R65180770	1	TRANSFORMER 50VA
21	R65180430	1	TRANSFORMER 40VA

POS.	CODE	PIECES	DESCRIPTION
22	R65180420	1	TRANSFORMER 20VA
23	R65200086	1	FUSE 0.125A (T)
24	R65200200	1	FUSE 2A
25	R65200120	1	FUSE 1A
26	R65200040	1	FUSE Ø 500A (T)
27	R65200040	1	FUSE 0.25A (T)
28	R65210020	5	FUSE CARRIER
29	R65220220	1	TERMINAL BOARD
30	R65265100	1	DOOR SWITCH
31	*R65280210	1	INTERFERENCE SUPPRESSOR
32	*R65280450	1	FERRITE
33	R65325000	3	PROBE PT100
34	R70020050	1	MOTOR GASKET
35	*R75400440	1	FAN Ø 350x114/12 50HZ P.D. KIT
36	*R65190030	1	CAPACITOR 16 µF
37	*R65190090	1	CAPACITOR 12.5 µF
38	R11402840	2	SMOKES OUTLET PLATE
39	R61660000	1	CARDAN JOINT

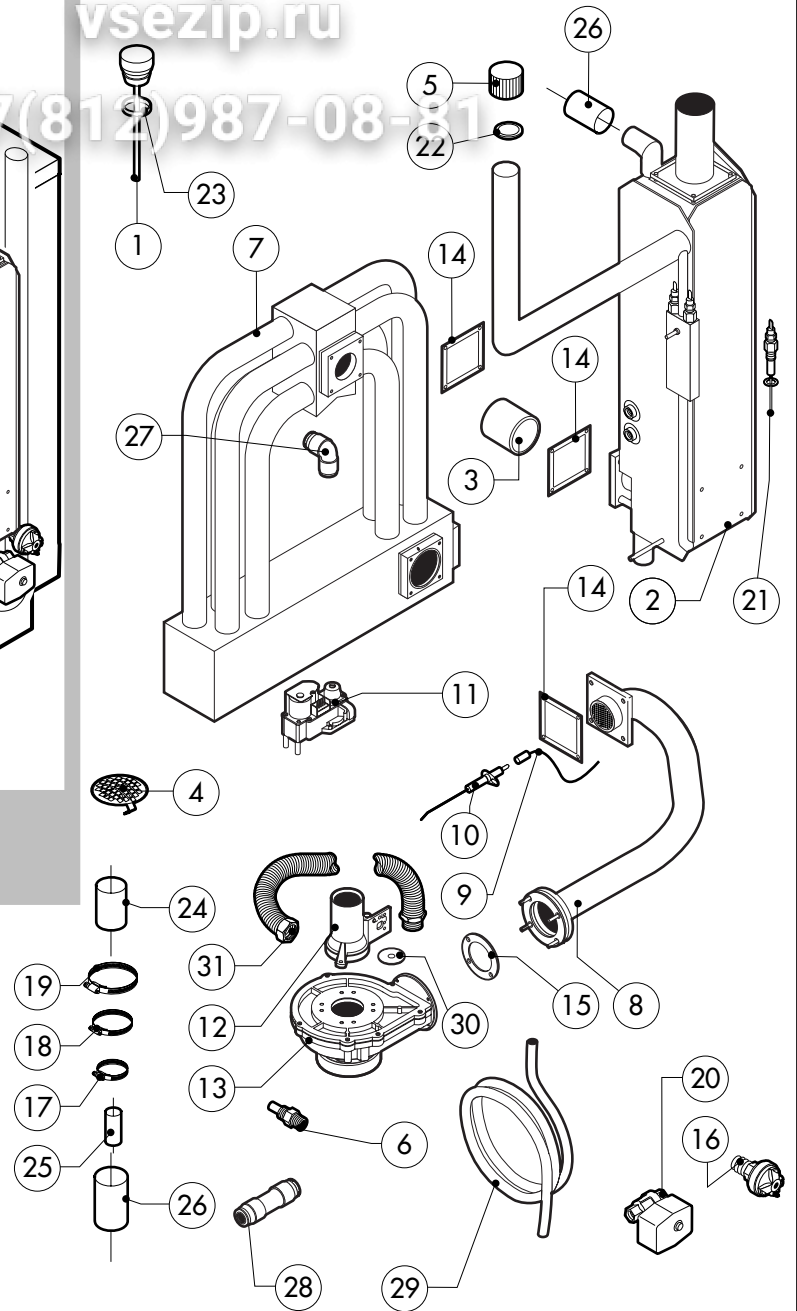
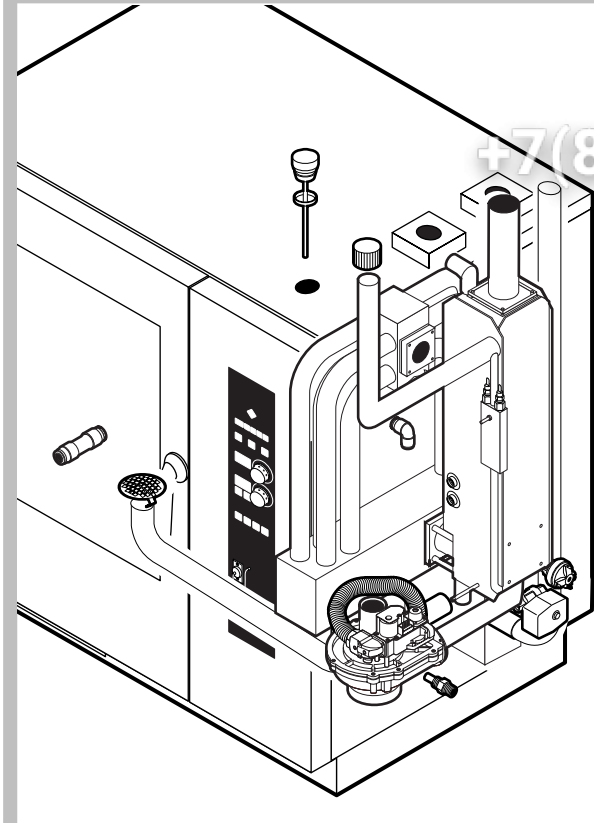
*COMPONENT SUBMITTED TO CHANGEMENTS CAUSED BY TENSION DIFFERENT FROM THE STANDARD (AC 230V 50HZ)

Зип Общепит

vsezip.ru

+7(812)987-08-31

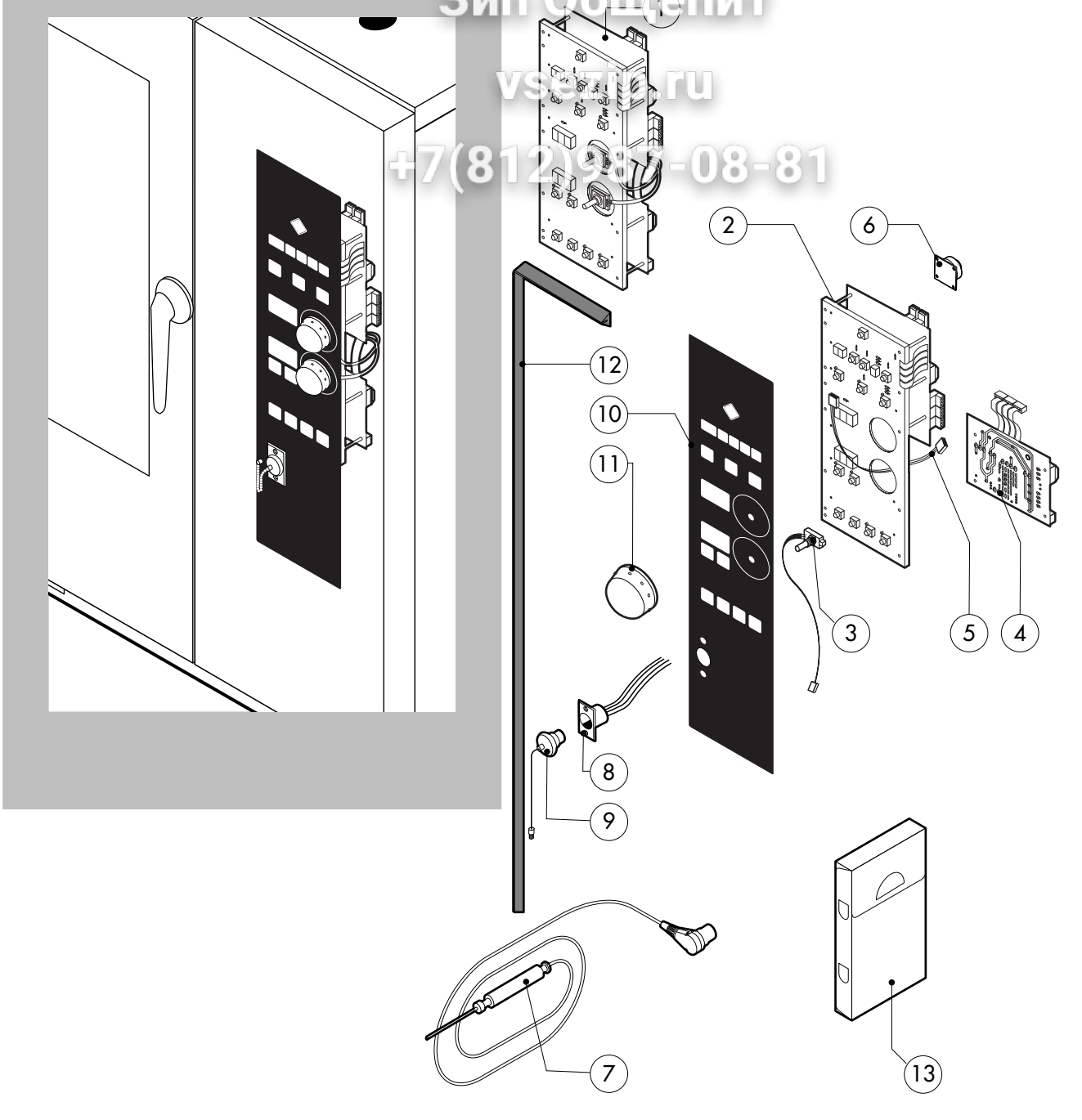
016.40.184.0636.050505.DONADINI.sfi



POS.	CODE	PIECES	DESCRIPTION
1	R11100270	1	DAMPER SYSTEM CAP
2	R11100600	1	STEAM GENERATOR ASSEMBLY
3	R70080010	1	CERAMIC PROTECTION TUBE
4	R10201710	1	DRAIN FILTER
5	R58005680	1	STEAM GENERATOR DESCALING CAP 1"1/4 F
6	R58006130	1	STEAM QUENCHING NOZZLE Ø 1
7	R11203640	1	HEAT EXCHANGER ACCESSORIES INCLUDED
8	R14213250	1	BURNER ASSEMBLY
9	R66110390	1	FLAME IGNITION CABLE/FLAME SENSOR CABLE
10	R63050100	2	IGNITOR
11	R63020170	1	GAS SOLENOID VALVE
12	R63120040	1	VENTURI TUBE
13	R63130010	1	GAS BURNER FAN MOTOR
14	R63140020	6	BURNER/HEAT EXCHANGER GASKET
15	R63140050	1	BURNER/FAN MOTOR GASKET
16	R63070010	1	GAS SAFETY PRESSURE SWITCH PG 901.61
17	R61630011	2	METAL CLAMPS 12-22/9
18	R61630021	2	METAL CLAMPS 30-45/9
19	R61630110	2	METAL CLAMPS 44-56/12

POS.	CODE	PIECES	DESCRIPTION
20	R65110560	1	STEAM GENERATOR DRAIN MOTORIZED VALVE
21	R65320010	2	STEAM GENERATOR LEVEL PROBE
22	R70050040	1	STEAM GENERATOR CAP GASKET
23	R70060100	1	DAMPER SYSTEM CAP GASKET
24	R70060010	1	SILICON COUPLING Ø 30
25	R70060080	1	SILICON COUPLING Ø 13
26	R70060040	1	SILICON COUPLING Ø 50
27	R62090478	5	ELBOW MIDDLING PIPE FITTING D.10
28	R62090458	2	STRAIGHT MIDDLING PIPE FITTING D.10
29	R70070050	1	PE D.10 MM X7 WATER FLEXIBLE PIPE (3 MT LONG)
30	R58004200	1	ORIFICE (FOR VERSION LIQUID GAS)
31	R62180082	1	GAS INLET FLEXIBLE PIPE

Зип Общежит
vse7.ru
+7(812)987-08-81



POS.	CODE	PIECES	DESCRIPTION
1	R65301390	1	CONTROL PANEL P.C. BOARD
2	R65301370	1	FRONT+RELAY PC BOARD "H-P" MOD
3	R65301450	2	FRONT PC BOARD ENCODER
4	R65301480	1	BOILER CONTROL PC BOARD "H-P" MOD
5	R65301470	1	PC BOARD FLAT CABLE
6	R65301440	1	PC BOARD BUZZER
7	R65321120	1	CORE TEMPERATURE PROBE
8	R65320920	1	CORE TEMPERATURE PROBE FEMALE CONNECTOR
9	R65321020	1	COVER FOR FEMALE CONNECTOR
10	R67013140	1	PLATE
11	R69030260	2	KNOB
12	R70044270	1	CONTROL PANEL GASKET
13	R86020420	1	CORE TEMPERATURE PROBE BOX

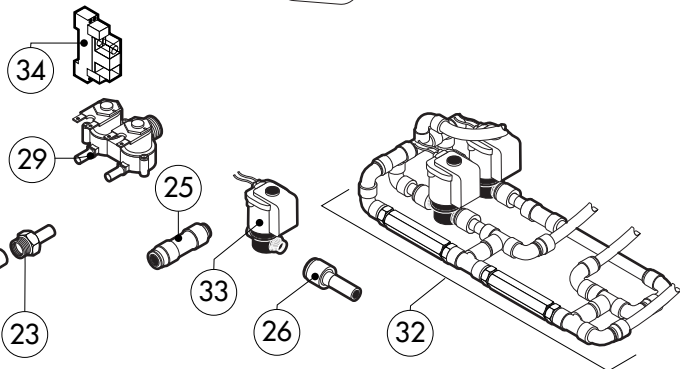
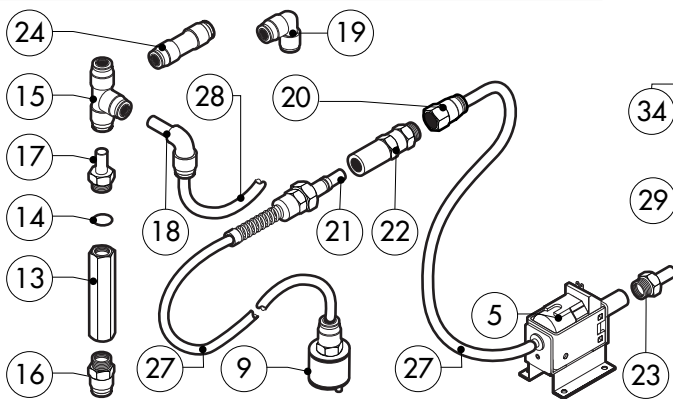
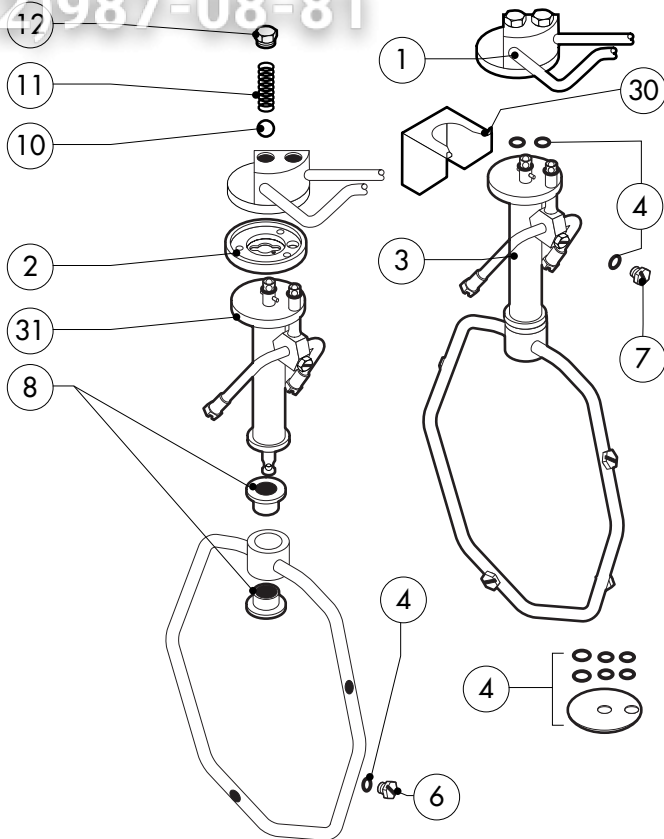
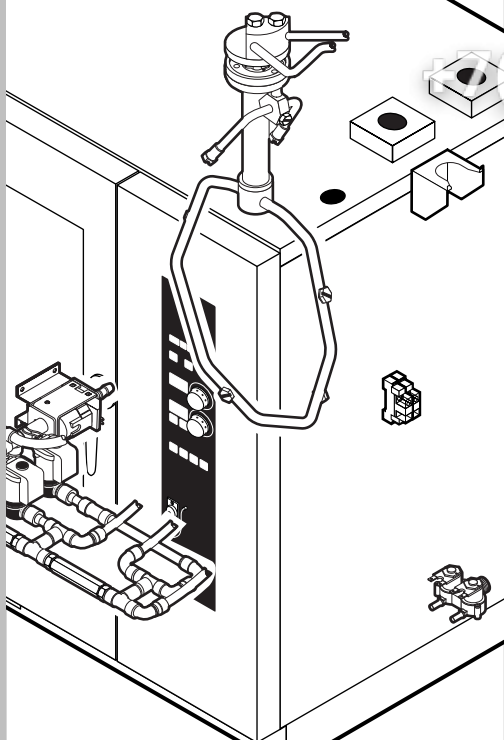
POS.	CODE	PIECES	DESCRIPTION

Зип Общепит

vsezip.ru

8(812)987-08-81

016.40.184.0638 050505 DONADINI srl



POS.	CODE	PIECES	DESCRIPTION
1	R11200901	1	WASHING SYSTEM EXTERNAL ASSEMBLY
2	R58004960	1	WASHING SYSTEM INNER FLANGE
3	R11100520	1	WASHING DEVICE ASSEMBLY
4	R70045100	1	GASKETS KIT
5	R65110600	1	DETRGENT PUMP
6	R62210032	4	1,3 L/MIN RINSING JET
7	R62210042	3	0,56 L/MIN DETERGENT JET
8	R58004980	2	WASHING DEVICE ROTATION BUSH
9	R65110650	1	BOTTOM FILTER
10	R62220012	2	SPHERA D.14
11	R61620041	2	SPRING
12	R58005000	2	1/2" MALE COVER
13	R65110640	2	ANTI-BACK FLOW
14	R70010050	4	OR GASKETS
15	R62090468	5	"T" MIDLING PIPE FITTING D.10
16	R62090508	1	10X1/4 STRAIGHT THREADED TERMINAL PIPE FITTING
17	R62090518	3	10X1/4 END SIDE PIPE FITTING (WITH TANG)
18	R62090528	10	ELBOW PIPE FITTING (WITH TANG) 10 X 10
19	R62090478	4	ELBOW MIDLING PIPE FITTING D.10

POS.	CODE	PIECES	DESCRIPTION
20	R62090538	1	1/4" FEMALE STRAIGHT PIPE FITTING FOR D.8X6 PIPE
21	R62090482	1	RAPID MALE PIPE FITTING
22	R62090492	1	RAPID FEMALE PIPE FITTING
23	R62090608	1	8X1/8 END SIDE PIPE FITTING (WITH TANG)
24	R62090458	1	STRAIGHT MIDLING PIPE FITTING D.10
25	R62090618	1	10-8 REDUCTION PIPE FITTING
26	R62090548	4	10-6 REDUCTION PIPE FITTING
27	R70070100	1	PE D.8 MM X 6 DETERGENT FLEXIBLE PIPE
28	R70070050	1	PE D.10 MM X7 WATER FLEXIBLE PIPE (3 MT LONG)
29	R65110210	1	SOLENOID VALVE 220V 50HZ
30	R11402000	1	WASHING DEVICE EXTERNAL HOLDER
31	R11100550	1	TUBE DEVICE SUPPORT WASHING
32	R62300028	1	ANTI-BACK FLOW DEVICE ASSEMBLY
33	R65110260	2	SOLENOID VALVE D.6 220V 50HZ
34	R65170050	2	RELAY 4052 240V AC 10A