

**Зип Общепит**

**vsezip.ru**

---

**DESPIECE TECNICO**

---

**+7(812)987-08-81**

**Lavadoras  
Lava-linge  
Washing machines  
Waschmaschine  
Lavatrici  
Máquinas de lavar roupa**

**Modelos:**

**LR-10 M**

**LA-10 M**

**LR-13 M**

**LA-13 M**

***Noviembre 2010 November***

*Revisado Enero 2012 January Revised*



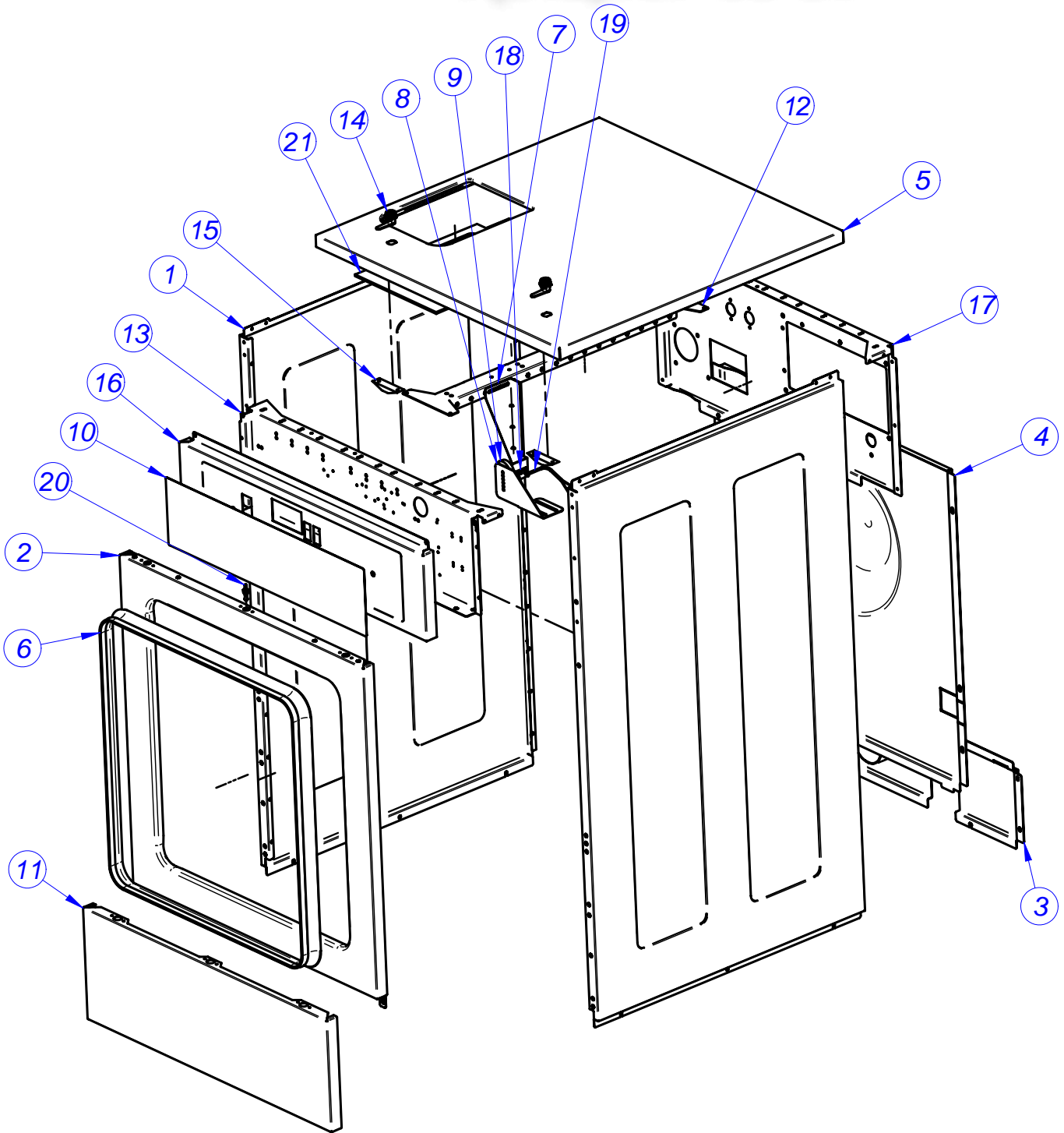
---

**F A G O R I N D U S T R I A L**

Зип Общепит

vsezip.ru

+7(812)987-08-81



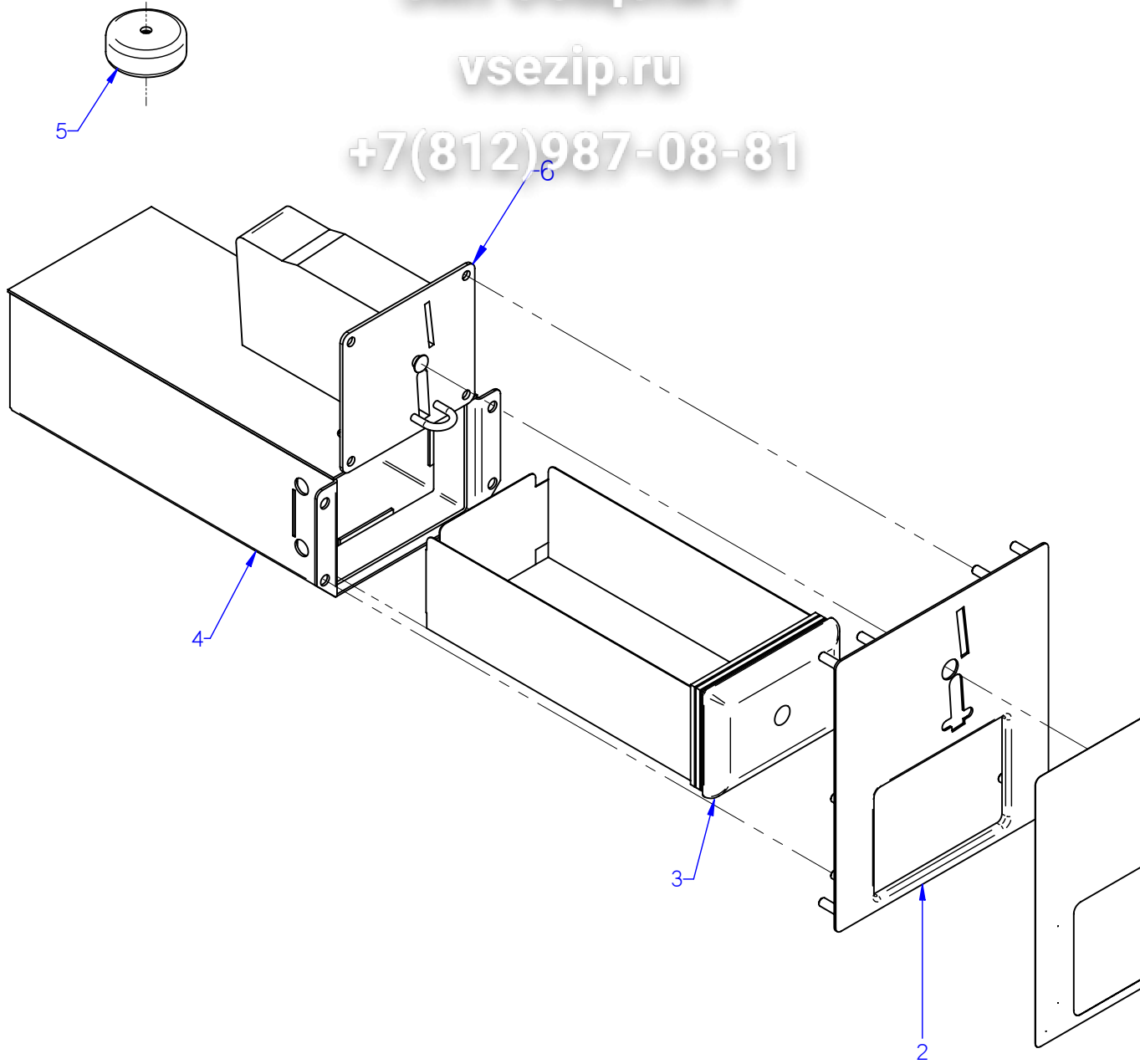
ITEM	DENOMINACION	NAME	CODIGO	LR-10			LA-10			
				M	MA		MP	M	MA	
1	PANEL LATERAL	SIDE PANEL	P610359000 P620370000	2	2		2	2	2	2
2	PANEL FRONTAL	FRONT PANEL	P617806000 P627808000	1	1		1	1	1	1
S/Nº	CIERRE MUELLE	LOCK SPRING	X010503000	1	1		1	1	1	1
3	PANEL POSTERIOR DESAGUE	DRAINAGE REAR PANEL	P610306000 P620306000	1	1		1	1	1	1
4	PANEL POSTERIOR	REAR PANEL	P610362000 P620382000	1	1		1	1	1	1
5	ENCIMERA	WORKTOP	P610353000 P620375000	1	1		1	1	1	1
S/Nº	CANTONERA R1	R1 CORNER	12039188	2	2		2	2	2	2
6	CORTINA (METROS)	CURTAIN (METRES)	P620324000	2	2		2	2	2	2,5
7	PORTA SENSOR DESEQ.	IMBALANCE SENSOR HOLDER	P627064000 P630315000				1	1	1	
8	SOPORTE IMAN DESEQ.	IMBALANCE MAGNET HOLDER	P627063000				1	1	1	
9	IMAN DESEQUILIBRIO	IMBALANCE MAGNET HOLDER	P620337000				1	1	1	
10	ADHESIVO	ADHESIVE	P623039000 P623038000 P623040000	1				1		1
11	ZOCALO	SKIRTING	P617807000 P627807000	1	1		1	1	1	1
	KIT ZOCALO 10	ZOCALO KIT 10	1300000195							
	KIT ZOCALO 13	ZOCALO KIT 13	1300000196							
12	TRAVESANO CUBETERA	TRAY CROSS PIECE	P620377000	1	1		1	1	1	2
13	CONTRAPORTAMANDOS	COUNTERCONTROL HOLDER	P610356000 P610361000 P620373000 P620381000	1	1		1	1		1
14	CERRADURA	LOCK	P620351000 P620387000	2			2	2		2
15	RAMPA CIERRE ENCIMERA	WORKTOP LOCK RAMP	P620379000	2	2		2	2	2	2
16	PORTAMANDOS	CONTROL HOLDER	P610357000 P610358000 P620374000 P620380000	1			1	1		1
17	SOPORTE ELECTROVALVULAS	SOLENOID VALVE SUPPORT	P610352000 P620372000	1	1		1	1	1	1
18	AMARRE SENSOR	IMBALANCE SENSOR FASTENIN.	Z203010000				1	1	1	
19	SENSOR DESEQUILIBRIO	SENSOR IMBALANCE	Z203009000				1	1	1	

ITEM	DENOMINACION	NOMBRE	CODIGO	LR-10			LA-10			L
				M	MA		MP	M	MA	
20	PITON	PITON	X012612000	10	10		10	10	10	10
21	JUNTA CUBETA	TRAY SEAL	P610330000	1	1		1	1	1	1

Зип Общепит

vsezip.ru

+7(812)987-08-81



KIT MONEDERO

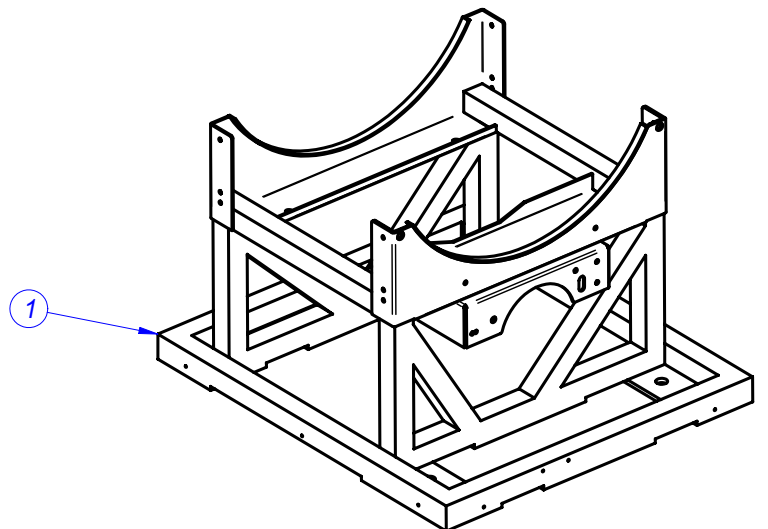
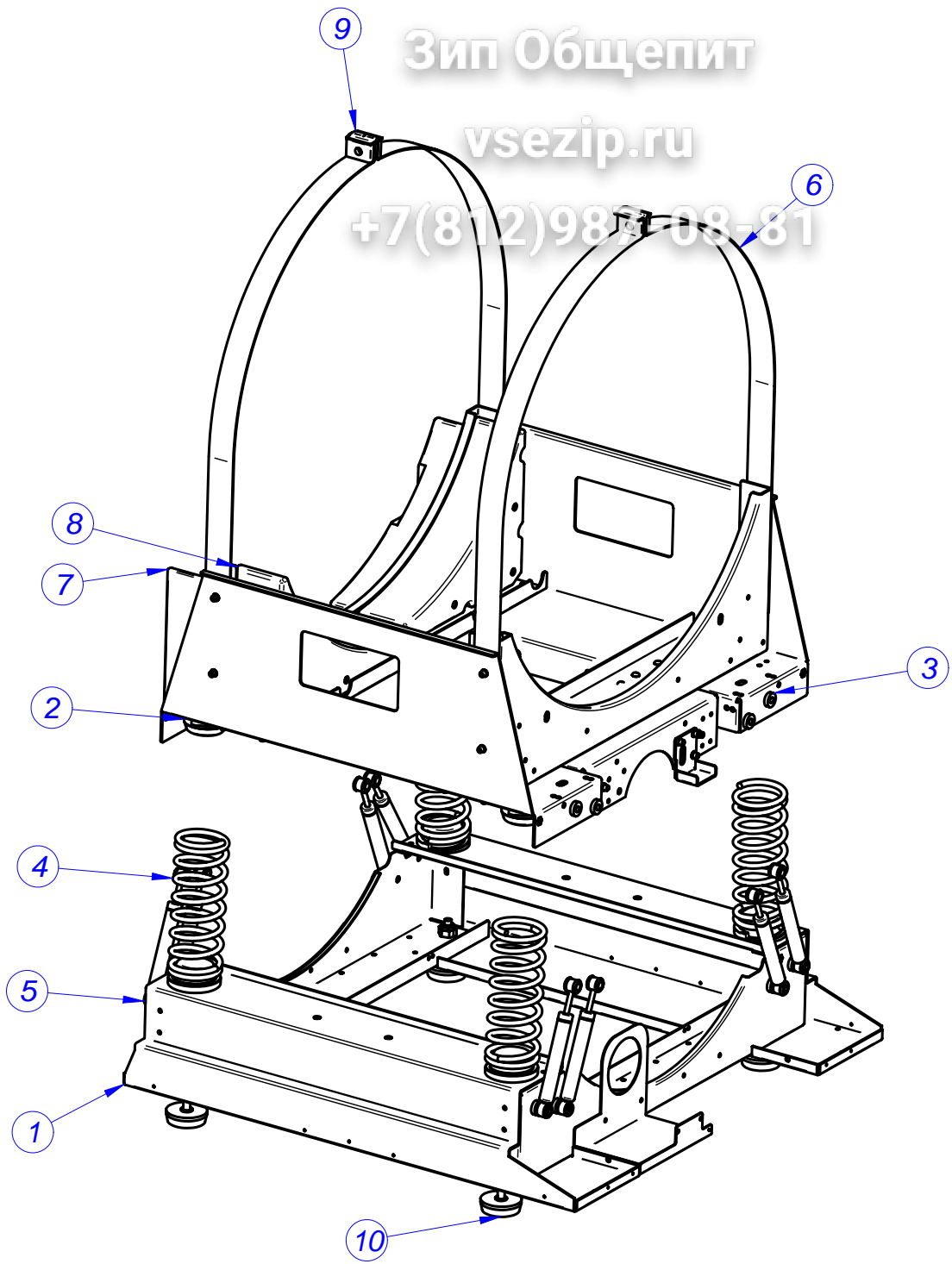
## KIT MONEDERO / COIN SLOT KIT

ITEM	DENOMINACION	NOME	CODIGO	LR-10		LA-10			L
				M	MA	MP	M	MA	
KIT COIN FAGOR EU+UK			1300000203						
KIT COIN FAGOR USA+MEX+CAN			1300000205						
KIT COIN FAGOR TAIWAN+MALASIA			1300000206						
KIT COIN FAGOR AUSTRALIA			1300000207						
1	ADHESIVO MONEDERO FAGOR	COIN SLOT ADHESIVE FAGOR	P623041000		1				1
2	CHAPA MONEDERO COMPL.	COIN SLOT PLATE COMPL.	P614005000		1				1
S/Nº	CHAPA TAPA MONEDERO COMPL.	COIN SLOT PLATE TOP COMPL.	P614042000		1				1
3	CAJON MONEDAS	COIN DRAWER	P610407000		1				1
4	PORTA CAJA MONEDAS COMPL.	COIN BOX HOLDER COMPL.	P614011000		1				1
5	TRANSFORMADOR MONEDERO	COIN SLOT TRANSFORMER	P624014000		1				1
6	MONEDERO ELECTRONICO WH	ELECTRONIC COIN SLOT WH	P628206000		1				1
S/Nº	CAJART.DD-250X250X250	CAJART.DD-250X250X250	CAJSAT0025		1				1

Зип Ощепит

vsezip.ru

+7(812)984-08-81



CUNA - ARMAZON / CRADLE - FRAME

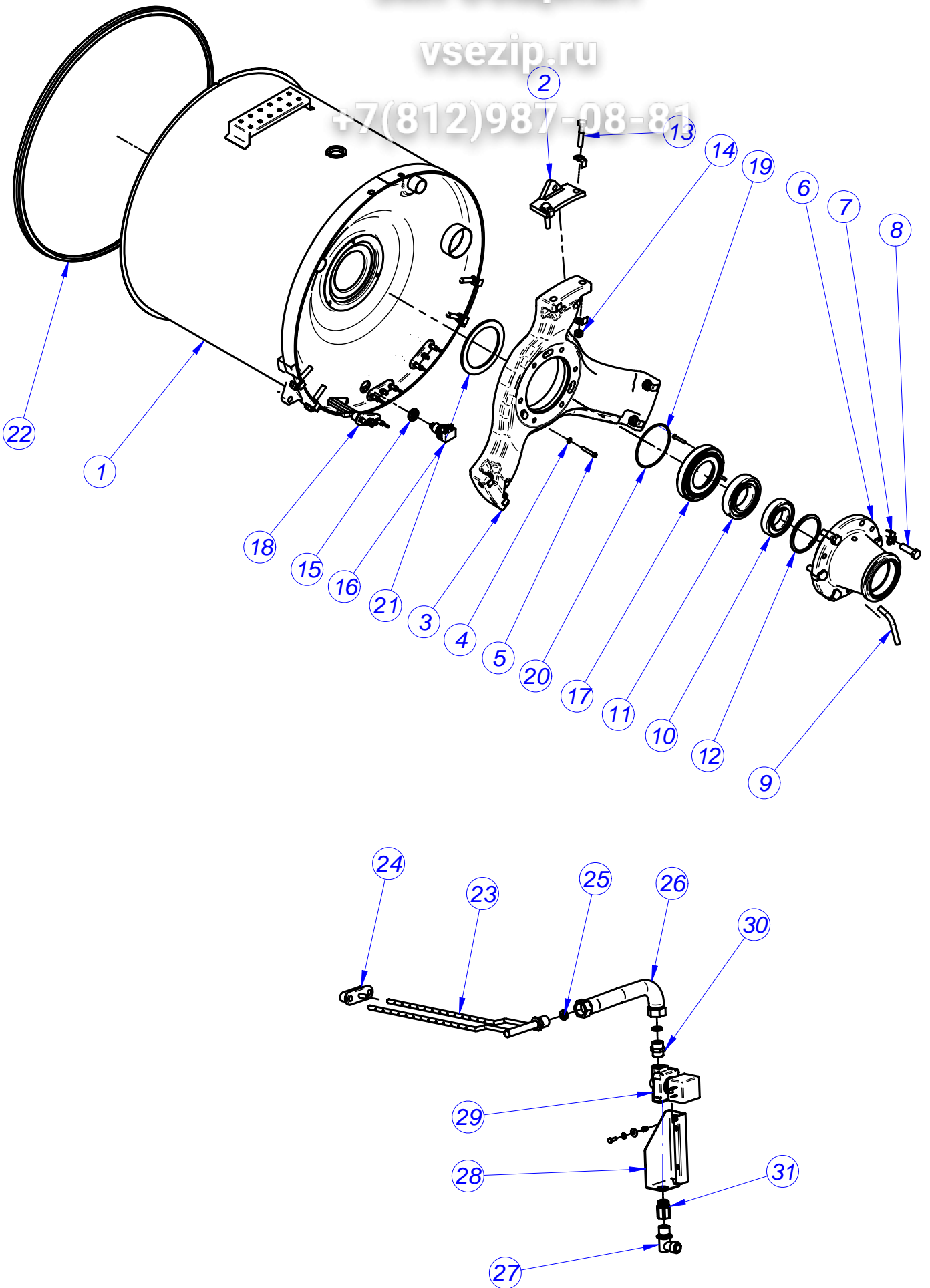
ITEM	DENOMINACION	NAME	CODIGO	LR-10			LA-10			L	
				M	MA		MP	M	MA		M
1	ARMAZON	FRAME	P614001000	1	1						
			P614040000	1	1						
			P610114000				1	1	1		
			P624001000							1	
			P624032000								1
2	BASE MUELLE	SPRING BASE	P620106000				8	8	8		
3	CASQUILLO AMORTIGUADOR	DAMPER BUSHING	P620107000				8	8	8		
4	MUELLE	SPRING	P610105000				4	4	4		
			P620105000								
5	ABSORBER	DAMPER	P620115000				4	4	4		
			P620126000								
6	CUNA	CRADLE	P610216000				1	1	1		
			P620207000								
7	CONTRAPESO ANTERIOR	FRONT COUNTERWEIGHT	P610207000				2	2	2		
			P620201000								
8	CONTRAPESO POSTERIOR	REAR COUNTERWEIGHT	P610207000				2	2	2		
			P620201000								
9	AMARRE ABRAZADERA	CLAMP FASTENING	P640215000	4	4		4	4	4	4	
10	PATA	LEG	P626521000				4	4	4		



Зип Общепит

vsezip.ru

+7(812)987-08-81



ITEM	DENOMINACION	NAME	CODIGO	LR-10			LA-10			E
				E	AC	V	E	AC	V	
1	CUBA	TUB	P616117000	1	1	1	1	1	1	
S/Nº	TAPÓN DESAGÜE	DRAIN PLUG	P61615000							1
2	APOYO TORNILLOS	SCREW SUPPORT	T305052000	1	1	1	1	1	1	1
			P616011000	1	1	1	1	1	1	
			P626014000							1
3	REFUERZO FONDO CUBA	TUB BASE REINFORCEMENT	P616003000	1	1	1	1	1	1	
			P626001000							1
4	ARANDELA	WASHER	Q232040000	3	3	3	3	3	3	3
5	TORN. INTERIOR REFUERZO	HEXAGONAL INTERIOR REINFOR	Q122045000	3	3	3	3	3	3	3
6	SOPORTE RODAMIENTOS	BEARING SUPPORT	P616004000	1	1	1	1	1	1	
			P626002000							1
7	ARANDELA SEGURIDAD	SAFETY WASHER	Q271302000	18	18	18	18	18	18	6
			Q271306000							12
			Q271304000							
8	TORN. SOP. RODAMIENTOS	BEARING SUPPORT SCREW	Q151528000	6	6	6	6	6	6	
			Q151529000							6
9	TUBO EVACUACION	DRAINAGE PIPE	P626015000	1	1	1	1	1	1	1
10	RODAMIENTO EXTERIOR	OUTER BEARING	P616008000	1	1	1	1	1	1	
			P626008000							1
11	RODAMIENTO INTERIOR	INNER BEARING	P616009000	1	1	1	1	1	1	
			P626009000							1
12	ANILLO SEGURIDAD	CIRCLIP	Q301044000	1	1	1	1	1	1	
			Q301030000							1
13	TORN. REFUERZO CUBA	TUB REINFORCEMENT SCREW	Q151529000	6	6	6	6	6	6	
			Q151530000							6
14	TUERCA REFUERZO CUBA	TUB REINFORCEMENT NUT	Q221307000	6	6	6	6	6	6	
			Q221338000							6
15	SOP.TERMOSTATO 1001713	THERMOSTAT SUPPORT 1001713	N503017000	1	1	1	1	1	1	1
16	SONDA TEMPERATURA	TEMPERATURE PROBE	P503025000	1	1	1	1	1	1	1
17	CASQUILLO CONTRARETEN	COUNTERSEAL BUSHING	P616005000	1	1	1	1	1	1	
			P626003000							1
18	RESISTENCIA CALENTAMIENTO	HEATING RESISTOR	P613008000	3	1		3	1		
			P623005000							3
19	TORN. CASQ. CONTRARETEN	COUNTERSEAL BUSHING SCREW	Q122034000	3	3	3	3	3	3	3
20	JUNTA TÓRICA	O-RING	Q307073000	1	1	1	1	1	1	
			Q307075000							1
21	JUNTA CASQ. CONTRARETEN	COUNTERSEAL BUSHING SCREW	P616013000	1	1	1	1	1	1	1
22	JUNTA CUBA	TUB SEAL	P616104000	1	1	1	1	1	1	
			P626110000							1
23	INYECTOR VAPOR 10,13,18	STEAM JET 10,13,18	P615001000			1				1

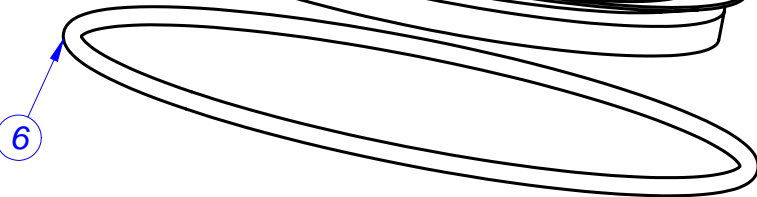
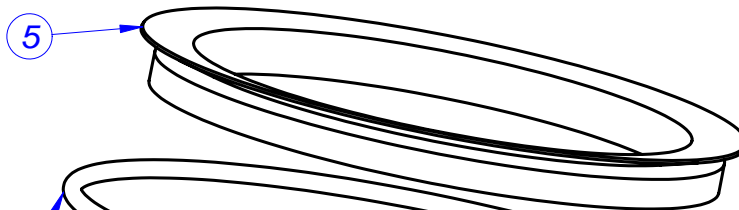
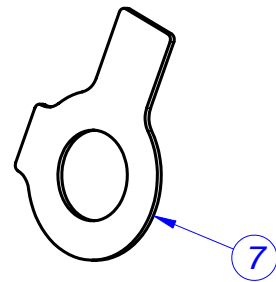
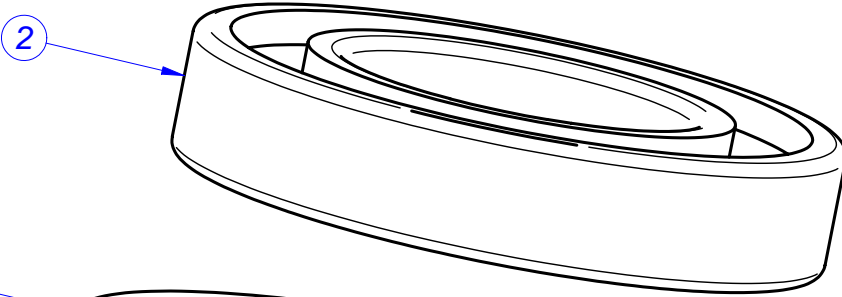
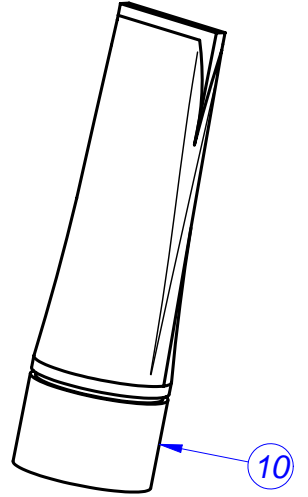
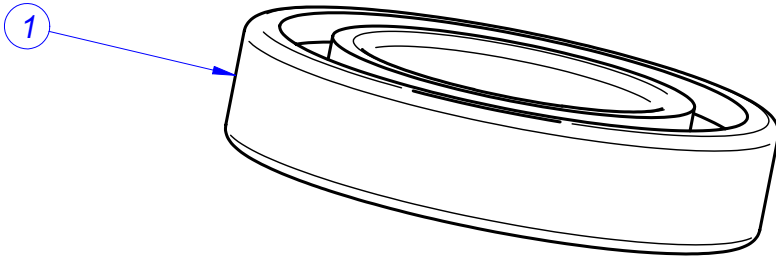
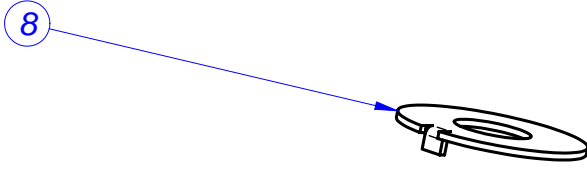
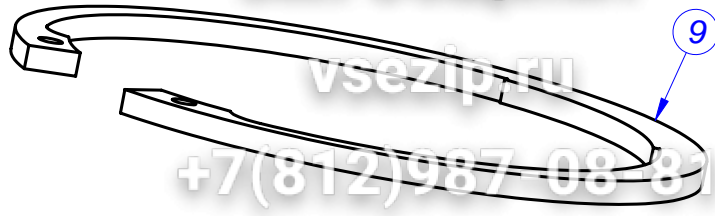
# Зип Обществена

ITEM	DENOMINACION	NOMBRE	CODIGO	LR-10			LA-10			L
				E	AC	V	E	AC	V	
24	CIERRE INYECTOR	INJECTOR LOCK	P445011000			1			1	
25	ARANDELA VAPOR 10, 13, 18	STEAM WASHER 10, 13, 18	P615002000			2			2	
26	MANGUERA VAPOR	STEAM HOSE	P523003000			1			1	
27	CODO	L-BEND	S115013000			1			1	
28	SOPORTE VALVULA	VALVE SUPPORT	P620327000			1			1	
29	VALVULA VAPOR	STEAM VALVE	P615003000			1			1	
30	RACOR M-M	M-M CONNECTION	S205023000			1			1	
31	RACOR H-M	H-M CONNECTION	X162101000			1			1	

Зип Общепит

vsezip.ru

+7(812)987-08-83



# 3in 06mm KIT RODAMIENTOS / BEARING KIT

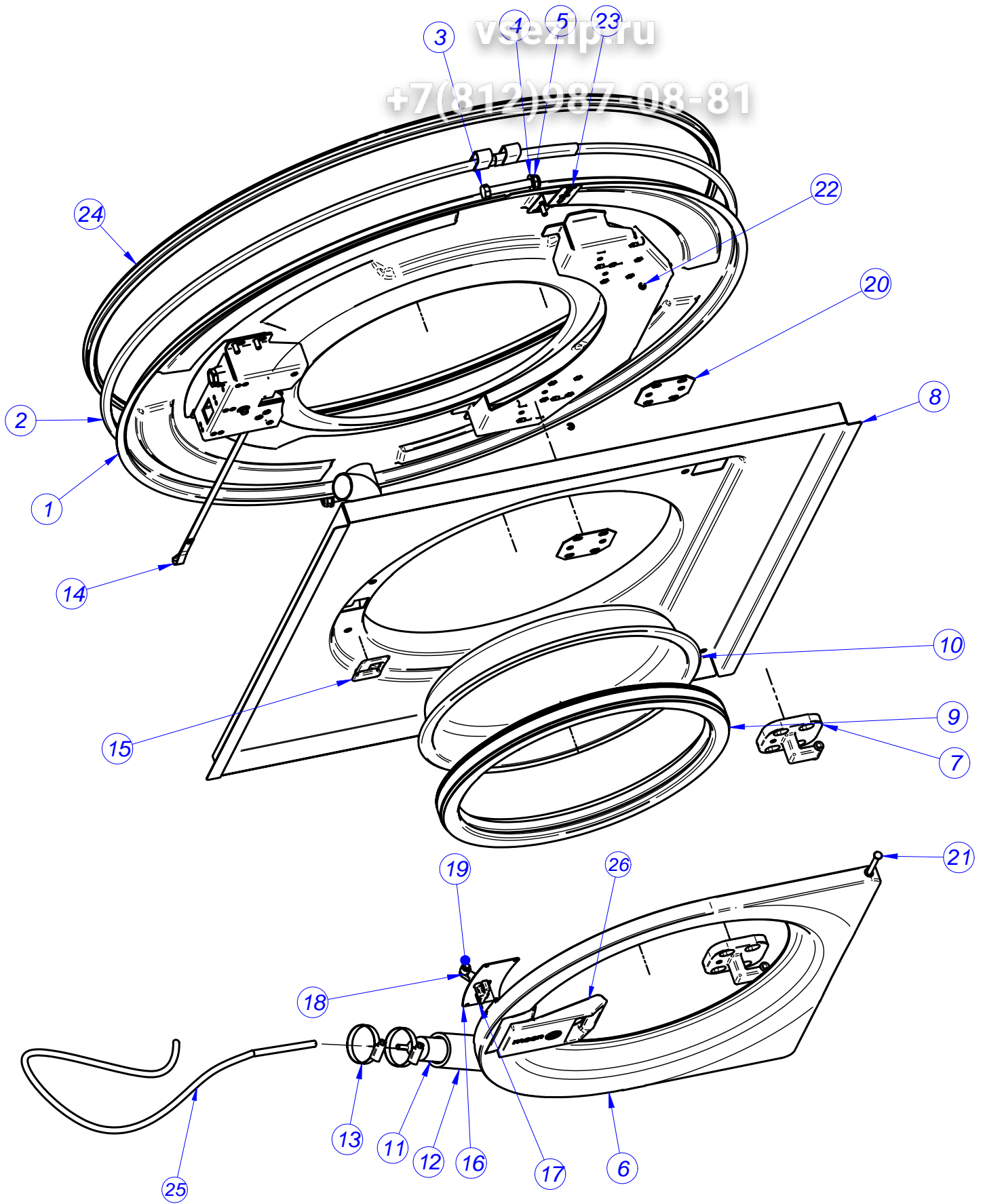
**3in 06mm**  
vsezip.ru  
+7(812)987-11-31

ITEM	DENOMINACION	NAVE	CODIGO	LR-10	LA-10	L
	<b>KIT RODAMIENTOS 8</b>	<b>BEARING KIT 8</b>	<b>1300000083</b>	<b>1</b>	<b>1</b>	
	<b>KIT RODAMIENTOS 13</b>	<b>BEARING KIT 13</b>	<b>1300000084</b>			
1	RODAMIENTO EXTERIOR	OUTER BEARING	P616008000 P626008000	1	1	
2	RODAMIENTO INTERIOR	INNER BEARING	P616009000 P626009000	1	1	
3	JUNTA CASQ. CONTRARETEN	COUNTERSEAL BUSHING SCREW	P616013000	1	1	
4	RETEN V-RING 1	V-RING 1 RETAINER 1	P634911000 P624914000	1	1	
5	RETEN V-RING 2	V-RING RETAINER 2	P614911000 P624913000	1	1	
6	JUNTA TÓRICA	O-RING	Q307073000 Q307075000	1	1	
7	ARANDELA SEGURIDAD	SAFETY WASHER	Q271302000 Q271306000	18	18	
8	ARANDELA SEG. POLEA	SAFETY WASHER PULLEY	Q301329000	1	1	
9	ANILLO SEGURIDAD	CIRCLIP	Q301044000 Q301030000	1	1	
10	GRASA RETENES	GREASE SEALS	P536544000	1	1	

Зип Общепит

vsezip.ru

+7(812)987-08-81



3ин Общедоступно  
vsezip.ru  
+7(812)987-13331

FRENTE CUBA / TUB FRONT						
ITEM	DENOMINACION	NAVE	CODIGO	LR-10	LA-10	L
1	FRENTE CUBA COMPLETO	COMPLETE TUB FRONT	P616112000	1	1	
2	CIERRE CUBA	TUB LOCK	P626112000 P626118000	1	1	
3	TORNILLO CIERRE CUBA	TUB LOCK SCREW	Q011369000	1	1	
4	ARAND. CIERRE	GROWER LOCK	Q232060000	2	2	
5	TUERCA CIERRE CUBA	TUB LOCK NUT	Q221306000	1	1	
6	PUERTA CON MANETA	DOOR WITH LEVER	P610512000 P620532000	1	1	
S/Nº	PUERTA 8	DOOR 8	P610502000	1	1	
S/Nº	PUERTA 13,8	DOOR 13,8	P620503000			
S/Nº	MANETA PUERTA FAGOR	DOOR HANDLE FAGOR	P620533000	1	1	
S/Nº	POMO FAGOR 2010	KNOB FAGOR 2010	P640502000	1	1	
S/Nº	TOR ALLEN M6x20 DIN 7984	ALLEN SCREW M6x20 DIN 7984	Q152062000	2	2	
S/Nº	ARANDELA SEGURIDAD 4	WASHER SAFETY 4	Q272020000	2	2	
S/Nº	MUELLE CIERRE	SPRING LOCK	P620510000	1	1	
S/Nº	PASADOR CIERRE	LOCKING PIN	P620511000	1	1	
7	BISAGRA PUERTA	DOOR HINGE	P620502000	2	2	
8	FONDO PUERTA	DOOR BASE	P610501000 P620501000	1	1	
S/Nº	PERFIL GOMA NEGRO EN U 9*4	BLACK RUBBER PROFILE U 9*4	3701700000	1	1	
S/Nº	PERFIL GOMA GRIS EN U 12*6	GREY RUBBER PROFILE U12*6	3673700000			
9	JUNTA PUERTA	DOOR SEAL	P610508000 P620528000	1	1	
10	MIRILLA PUERTA	DOOR WINDOW	P440503000 P530503000	1	1	
11	CAMARA PRESOSTATO	PRESSURE SWITCH	Q232060000	1	1	
12	CONDUCTO UNION	PIPE UNION	P502106000	1	1	
13	ABRAZADERA	CLAMP	Q881306000	2	2	
14	CIERRE COMPLETO	COMPLETE LOCK	P620516000 P620531000	1	1	
15	EMBELLECEDOR CIERRE	LOCK TRIM	P620515000	1	1	
16	TAPA CIERRE	LID CLOSURE	P610504000 P627816000	1	1	
17	GANCHO CIERRE	LOCK HOOK	P620505000	1	1	
18	CASQUILLO	BUSHING	P610506000	1	1	
19	ANILLO SEGURIDAD	CIRCLIP	Q302061000	1	1	
20	CALZO BISAGRA	HINGE WEDGE	P620521000	4	4	
21	PASADOR PUERTA	DOOR PIN	P620514000	2	2	
22	ARANDELA SEGURIDAD 4	SAFETY WASHER 4	Q272020000	2	2	

3шт 06  
 FRENTE CUBA / TUB FRONT

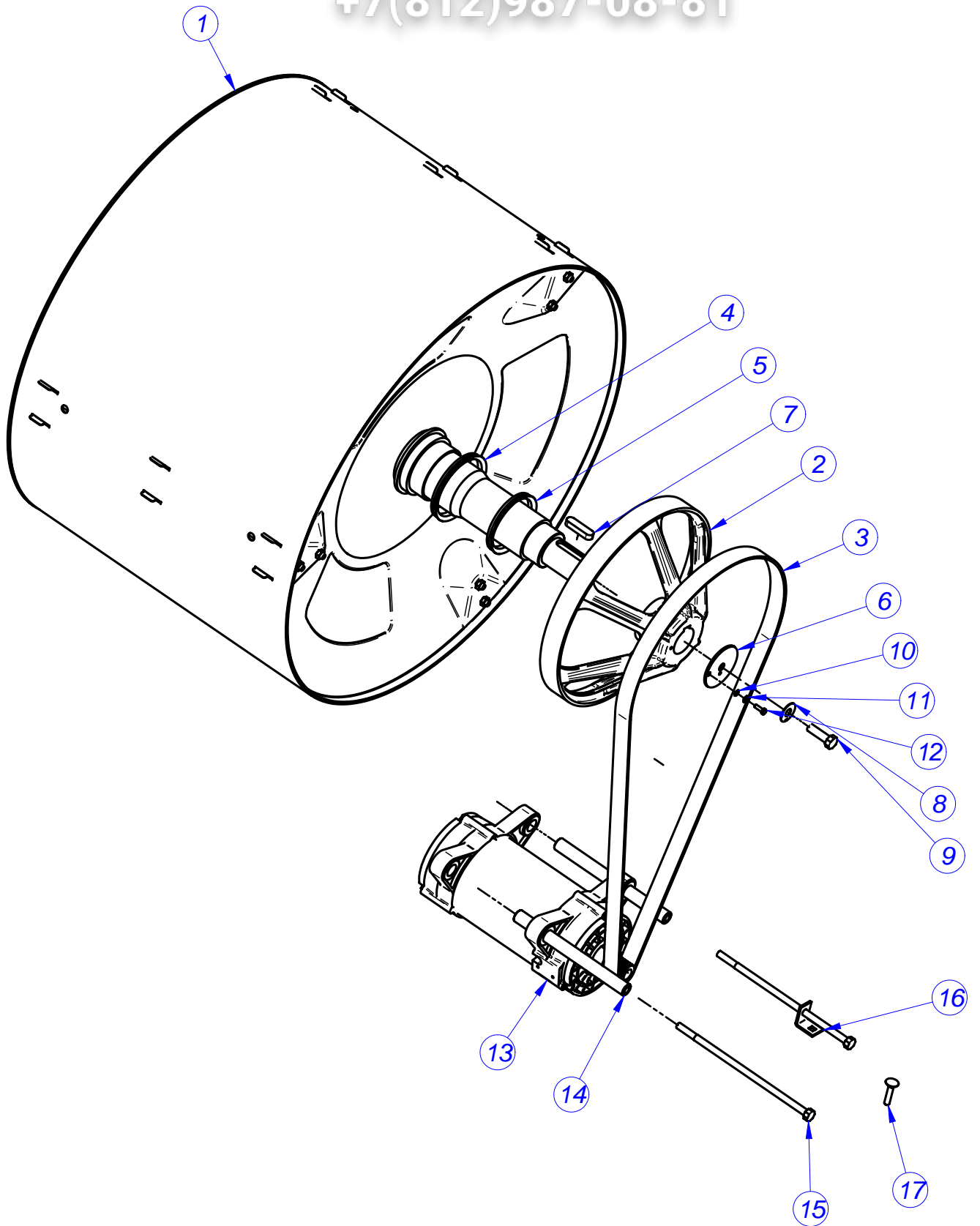
ITEM	DENOMINACION	NOMBRE	CODIGO	LR-10	LA-10	L
23	SOPORTE CONDUCTO	PIPE SUPPORT	P626128000	1	1	
24	JUNTA CUBA	TUB SEAL	P616104000	1	1	
			P626110000			
25	TUBO GOMA NEGRO Ø 8*4	BLACK RUBBER HOSE Ø 8*4	3702400000	1	1	
26	POMO FAGOR 2010	FAGOR 2010 KNOB	P640502000	1	1	
S/Nº	MANETA PUERTA FAGOR	DOOR HANDLE FAGOR	P620533000	1	1	



Зип Ощепит

vsezip.ru

+7(812)987-08-81



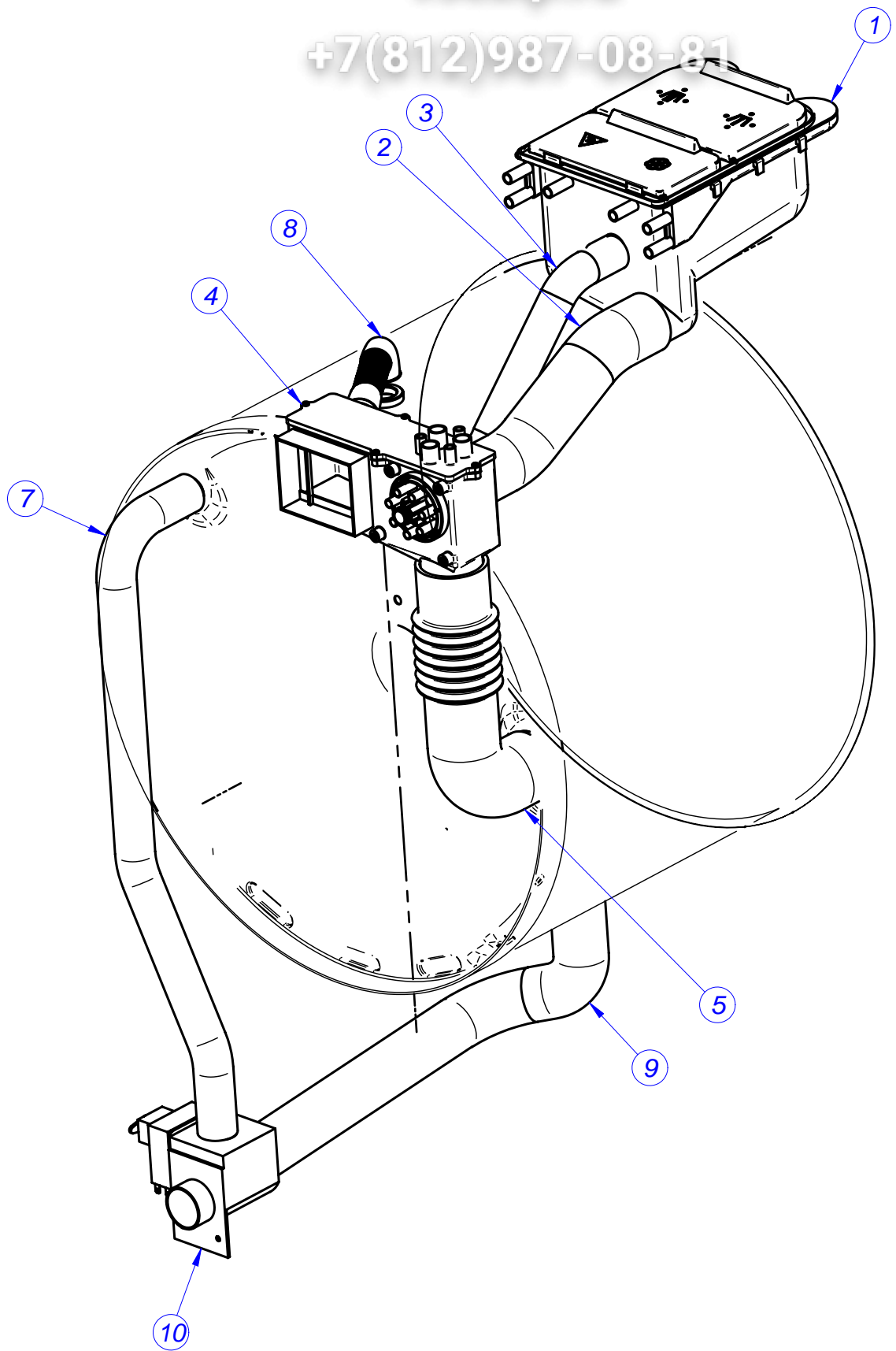
Зип Общественное предприятие «ТЭЦ-1»  
TAMBOCR / DRUM

ITEM	DENOMINACION	NAVE	CODIGO	LR-10			LA-10			L
				M	MA		MP	M	MA	
1	TAMBOR COMPLETO	COMPLETE DRUM	P614916000 P624919000	1	1		1	1	1	1
2	POLEA	PULLEY	P616006000 P626006000	1	1		1	1	1	1
3	CORREA	BELT	P615902000 P625903000	1	1		1	1	1	1
4	RETEN V-RING 1	V-RING RETAINER 1	P634911000 P624914000	1	1		1	1	1	1
5	RETEN V-RING 2	V-RING RETAINER 2	P614911000 P624913000	1	1		1	1	1	1
6	ARANDELA POLEA	PULLEY WASHER	P616010000 P626012000	1	1		1	1	1	1
7	CHAVETA	COTTER PIN	P614914000 P626010000	1	1		1	1	1	1
8	ARANDELA SEGURIDAD	SAFETY WASHER	Q301329000	1	1		1	1	1	1
9	TORNILLO POLEA	PULLEY SCREW	Q011376000	1	1		1	1	1	1
10	ARANDELA A5	WASHER A5	Q232030000	1	1		1	1	1	1
11	ARAND.ABAN. A5 A.304	FAN WASHER A5 A.304	Q242030000	1	1		1	1	1	1
12	TORN.EXA. M5X15 A.304	HEX BOLT M5X15 A.304	Q012032000	1	1		1	1	1	1
13	MOTOR	ENGINE	P615906000 P625905000	1	1		1	1	1	1
14	TUBO SOPORTE MOTOR	MOTOR SUPPORT HOSE	P615908000 P625901000	2	2		2	2	2	2
15	TORNILLO MOTOR	MOTOR SCREW	Q151525000 Q151526000	2	2		2	2	2	2
16	TENSOR MOTOR	MOTOR TENSOR	P620214000	1	1		1	1	1	1
17	TORNILLO TENSOR	TENSOR SCREW	Q151393000	1	1		1	1	1	1

Зип Общепит

vsezip.ru

+7(812)987-08-81



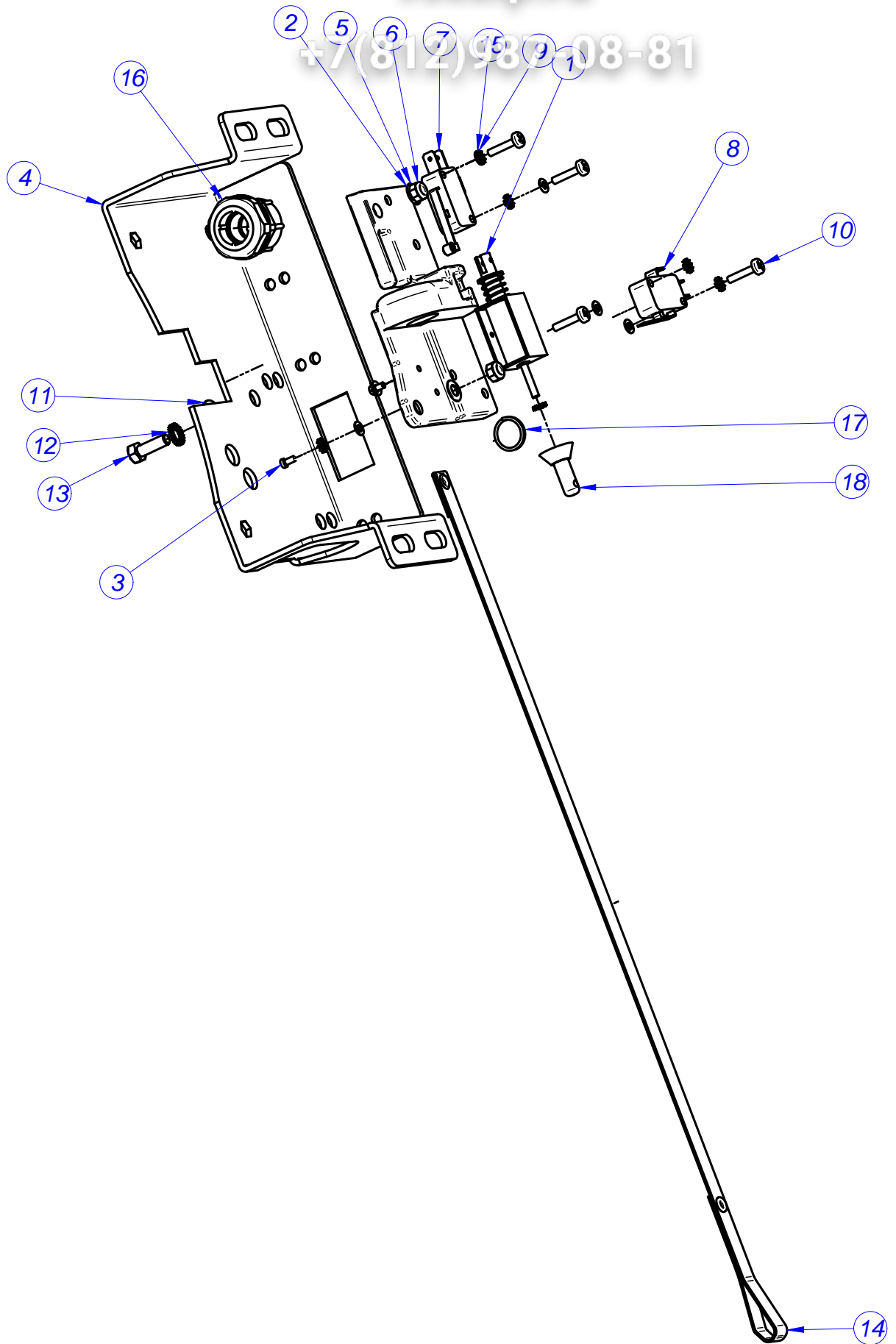
# Зип Общественная / TRAY

ITEM	DENOMINACION	NAME	CODIGO	LR-10			LA-10			L
				M	MA		MP	M	MA	
1	CUBETA DETERGENTES	DETERGENT TRAY	P620712000	1	1		1	1	1	1
S/Nº	TAPON CUBETA DETERGENTES	DETERGENT TRAY SUPPORT	P620724000	2	2		2	2	2	2
S/Nº	APOYO CUBETA DETERGENTES	DETERGENT TRAY SUPPORT	P610380000	1	1		1	1	1	1
2	CONDUCTO CUBETERA	TRAY PIPE	P610713000	1	1		1	1	1	1
			P634022000							
			P630705000							
			P644033000							
3	CONDUCTO REBOSADERO CUBETERA	TRAY OVERFLOW PIPE	P610714000	1	1		1	1	1	1
			P634023000							
			P630706000							
			P644034000							
4	CAJA COLECTOR	MANIFOLD BOX	P620723000	1	1		1	1	1	1
S/Nº	BARRERA COLECTOR	COLLECTOR BARRIER	P610717000	1	1		1	1	1	1
S/Nº	BARRERA COLECT. OPUESTA	COLLECT. BARRIER OPPOSITE	P610718000	1	1		1	1	1	1
S/Nº	TAPON CAJA COLECTOR 8	COLLECTOR BOX PLUG 8	P620726000	3	3		3	3	3	3
S/Nº	TAPON CAJA COLECTOR 16	COLLECTOR BOX PLUG 16	P620727000	1	1		1	1	1	1
S/Nº	JUNTA TAPA COLECTOR	BOARD COVER COLLECTOR	P620728000	1	1		1	1	1	1
5	CONDUCTO ENTRADA AGUA	WATER INPUT PIPE	P610704000	1	1		1	1	1	
			P620702000							1
			P630701000							
7	CONDUCTO REBOSADERO	OVERFLOW PIPE	P610702000	1	1		1	1	1	
			P620704000							1
			P630702000							
			P640703000							
8	SALIDA VAPOR	STEAM OUTPUT	P620708000	1	1		1	1	1	1
9	CONDUCTO DESAGÜE	DRAINAGE PIPE	P610703000	1	1		1	1	1	1
			P634021000							
			P630703000							
			P532119000							
S/Nº	TAPON DOBLE DESAGUE	DOUBLE PLUG DRAIN	P646526000	1	1		1	1	1	1
10	VALVULA	VALVE	P302120000	1	1		1	1	1	1
			P532103000							

Зип Ощепит

vsezip.ru

+7(812)987-08-81



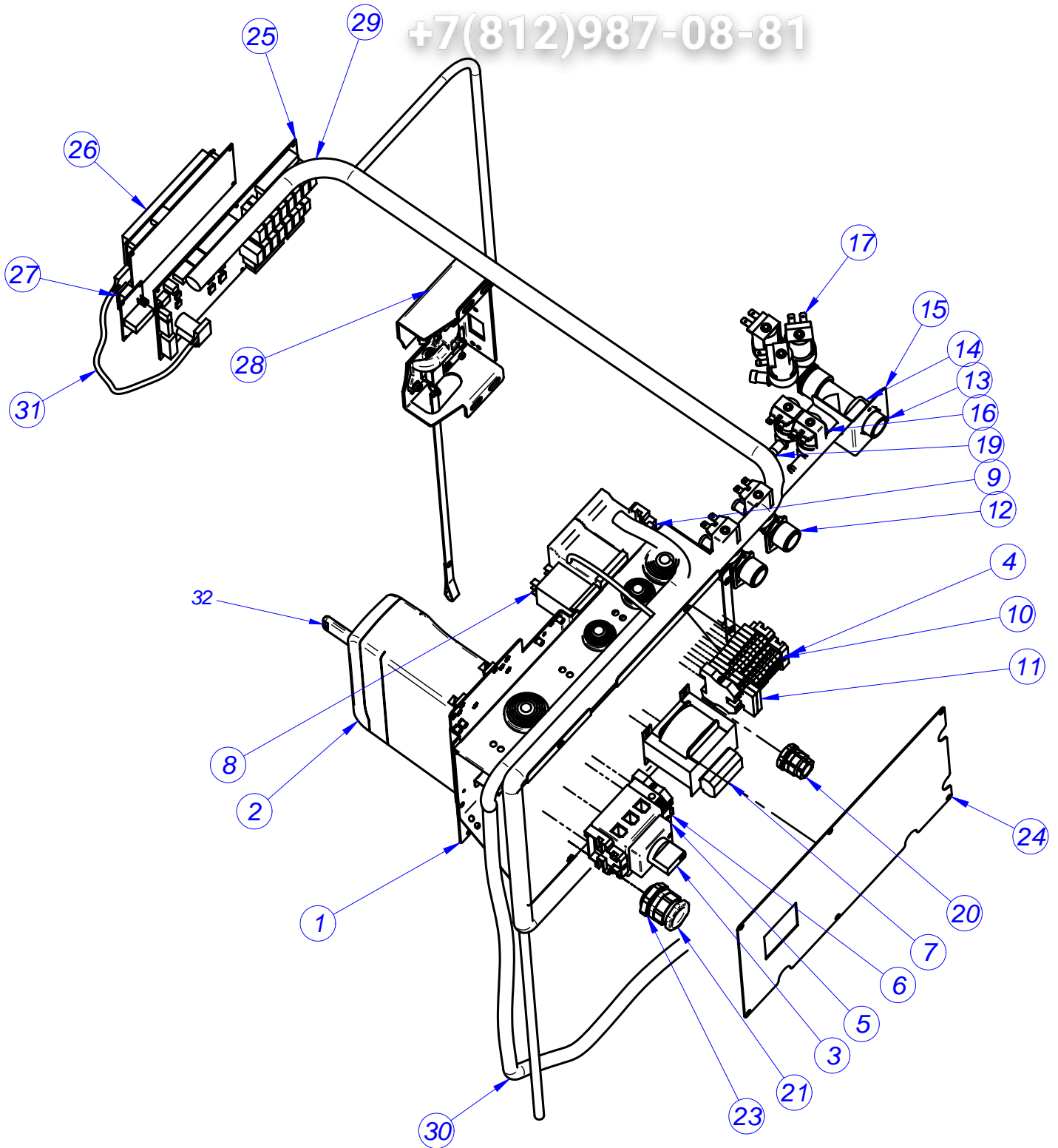
Зип Общежития CIERRE/ LOCK

ITEM	DENOMINACION	NAVE	CODIGO	LR-10	LA-10	L
1	ELECTROIMAN PUERTA	DOOR ELECTROMAGNET	P613002000	1	1	
2	BASE CIERRE V3	LOCK BASE V3	P621534000	1	1	
3	TORN. ALLEN M2.5x5	ALLEN SCREW M2.5x5	Q15133000	2	2	
4	CALZO CIERRE FAGOR 13,18,25	WEDGE FAGOR LOCK 13,18,25	P620530000	1	1	
5	ARANDELA A5	WASHER A5	Q232030000	2	2	
6	TUER.AUTOB.M5	SELF-LOCK NUT M5	Q222030000	2	2	
7	INTERRUPTOR PUERTA	DOOR SWITCH	R010534000	1	1	
8	INTERRUPTOR PUERTA PLANO	FLAT DOOR SWITCH	P620526000	1	1	
9	ARAND.ABAN. A.3 A304	FAN WASHER A.3 A304	Q242010000	8	8	
10	TORNILLO ALOMADO M3X15	CURVED SCREW M3X15	Q032012000	4	4	
11	ARANDELA 16X6X1.2 A.304	WASHER 16X6X1.2 A.304	Q302022000	1	1	
12	ARAND.ABAN. A5 A.304	FAN WASHER A5 A.304	Q242030000	1	1	
13	TORN.EXA. M5X15 A.304	HEX BOLT M5X15 A.304	Q012032000	1	1	
14	TIRADOR PUERTA	DOOR PULL	P620520000	1	1	
15	ARANDELA PLANA A3,DIN125	FLAT WASHER A3,DIN125	Q232010000	6	6	
16	PRENSA ESTOPAS	STUFFING BOX	R073004000	1	1	
17	ANILLO ELECTROIMAN	ELECTROMAGNETIC RING	P620525000	1	1	
18	DESBLOQUEO	UNLOCK	P620529000	1	1	
S/Nº	CABLEADO PUERTA	DOOR WIRING	P623010000	1	1	
S/Nº	TERMINAL 0,5 COD.901901	TERMINAL 0,5 COD.901901	P620523000	2	2	

Зип Общепит

vsezip.ru

+7(812)987-08-81



3ип Общественный  
**CUADRO ELECTRICO / ELECTRIC PANEL**

ITEM	DENOMINACION	NAME	CCD.CO	LR-10				LA-10						LR-			
				M		MA		MP			M		MA		M		
	CALENTAMIENTO	E	AC/V	E	AC	E	AC	V	E	AC	V	E	AC	V	E	AC/V	
1	PORTA CUADRO ELECTRICO	ELECTRIC PANEL HOLDER	P620347000	1	1	1	1	1	1	1	1	1	1	1	1	1	1
2	VARIADOR PROGRAM. 25 400 V.	VARIATOR PROGRAM. 25 400 V.	P613024000 P623036000	1	1	1	1	1	1	1	1	1	1	1	1	1	1
3	SECCIONADOR	CIRCUIT BREAKER	P623003000 P537038000	1	1	1	1	1	1	1	1	1	1	1	1	1	1
4	TOPE FINAL	END STOP	Z263303000	3	3	3	3	3	3	3	3	3	3	3	3	3	3
5	BORNA AZUL	BLUE TERMINAL	R673010000	1	1	1	1	1	1	1	1	1	1	1	1	1	1
6	BORNA TIERRA	EARTH TERMINAL	Z103035000	1	1	1	1	1	1	1	1	1	1	1	1	1	1
7	TRANSFORMADOR	TRANSFORMER	P623028000	1	1	1	1	1	1	1	1	1	1	1	1	1	1
8	CVF	CVF	Z203062000	1	1	1	1	1	1	1	1	1	1	1	1	1	1
9	CONTACTOR CALENTAMIENTO	HEATING CONTACTOR	Z203050000 Z743009000	2	2	2	2	0	2	0	2	0	2	0	2	0	2
10	REGLETA DOSIFICACION	DISPENSER TERMINAL STRIP	P623006000	5	5	7	7	8	8	8	5	5	5	7	7	5	5
11	BORNA PORTAFUSIBLE	FUSEHOLDER TERMINAL	R073005000	2	2	2	2	2	2	2	2	2	2	2	2	2	2
12	ELECTROVALVULA SIMPLE	SIMPLE SOLENOID VALVE	Z701135000	1	1	1	1	2	2	2	2	1	1	1	1	1	1
13	RACOR 3/4"	3/4" CONNECTION	Z102301000	1	1	1	1	1	1	1	1	1	1	1	1	1	1
14	Te A 90°	T at 90°	P535020000	1	1	1	1	1	1	1	1	1	1	1	1	1	1
15	TOPE ELECTROVALVULA	SOLENOID VALVE STOP	P535003000	1	1	1	1	1	1	1	1	1	1	1	1	1	1
16	ELECTROVALVULA DOBLE	DOUBLE SOLENOID VALVE	P255001000	1	1	1	1	1	1	1	1	1	1	1	1	1	1
17	ELECTROVALVULA TRIPLE	TRIPLE SOLENOID VALVE	Z611123000	1	1	1	1	1	1	1	1	1	1	1	1	1	1
19	REGULADOR VERDE	GREEN REGULATOR	P443042000	2	2	2	2	2	2	2	2	2	2	2	2	2	2
20	PRENSA ESTOPA DOSIFICACION	DISPENSER STUFFING BOX	R073004000	1	1	1	1	1	1	1	1	1	1	1	1	1	1
21	PRENSA ESTOPA PG-21	STUFFING BOX PG-21	R023013000	1	1	1	1	1	1	1	1	1	1	1	1	1	1
22	JUNTA GOMA	RUBBER SEAL	R023026000	1	1	1	1	1	1	1	1	1	1	1	1	1	1
23	TUERCA ROSCA Pg 21	SCREW THREAD Pg 21	Q223016000	1	1	1	1	1	1	1	1	1	1	1	1	1	1
24	TAPA CONEXIONES	CONNECTIONS COVER	P610354000 P620383000	1	1	1	1	1	1	1	1	1	1	1	1	1	1
25	PLACA ENTRADAS-SALIDAS	INLET-OUTLET PLATE	P613025000 P613005000	1	1	1	1	1	1	1	1	1	1	1	1	1	1
26	VISUALIZADOR	VIEWER	P613018000 P643008000	1	1	1	1	1	1	1	1	1	1	1	1	1	1
S/Nº	DISTANCIADOR M3	SPACER M3	T133007000	26	26	26	26	26	26	26	26	26	26	26	26	26	26
27	INTERRUPTOR GENERAL	POWER SWITCH	Z218030000 P623025000	1	1	1	1	1	1	1	1	1	1	1	1	1	1
S/Nº	PORTA INTERRUPTOR C.I. V2	C.I. V2 SWITCH HOLDER	P640325000	1	1	1	1	1	1	1	1	1	1	1	1	1	1
28	CIERRE COMPLETO	COMPLETE LOCK	P620516000 P620531000	1	1	1	1	1	1	1	1	1	1	1	1	1	1
29	INSTALACION GENERAL	GENERAL INSTALLATION	P623033000	1	1	1	1	1	1	1	1	1	1	1	1	1	1



vsezip.ru  
+7(812)987-08-81

ITEM	DENOMINACION	NAME	CODIGO	LR-10				LA-10						LR-		
	CALENTAMIENTO			M		MA		MP			M			MA		M
				E	AC/V	E	AC	E	AC	V	E	AC	V	E	AC	E
30	CABLE CALENTAMIENTO	HEATING CABLE	P613016000 P613016000 P623008000		1					1			1			1
31	CABLE COMUNICACION	COMMUNICATION CABLE	P623026000 P623009000	1	1	1	1			1	1	1	1	1	1	1
32	PLC PROGRAMADO 1,1KW	PLC PROGRAMMED 1.1KW	P613027000	1	1	1	1	1	1	1	1	1	1	1	1	
32	PLC PROGRAMADO 1,5KW	PLC PROGRAMMED 1.5KW	P623049000													1 1

## 3ин Общественно-образовательный центр

ITEM	DENOMINACION	NAME	CODIGO	LR-10			LA-10			LR-13									
	CALENTAMIENTO			M	MA	MP	M	MA	M	MA									
				E	AC	V	E	AC	V	E	AC	V	E	AC	V	E			
	CABLEADO INTERRUP-GENER.	SWITCH WIRING-GENERAL	12025113	1	1	1	1	1	1	1	1	1	1	1	1	1	1	1	1
	CABLE. PTC+PUENTE RECTIFIC.	PTC + WIRING BRIDGE-RECTIF.	12025061	1	1	1	1	1	1	1	1	1	1	1	1	1	1	1	1
	CABLEADO RESISTENCIA	WIRING RESISTANCE L-8, 13	12024944	1			1		1			1		1			1		1
	CABLEADO TECLADO-SIMPLE	WIRED KEYBOARD-SIMPLE	12023293	1	1	1	1	1			1	1	1	1	1	1	1	1	1
	CABLEADO TRANS.SIN NEUTRO	NO NEUTRAL WIRE TRANSFORM.	12025104	1												1			
	CABLEADO ARRASTRE-AC	TRAILING WIRING-AC	12025082		1		1	1		1				1			1		
	CABLE. ELECTR. VALV.VAPOR	WIRING ELECTROVALVULA.VAPOR	12025067			1				1			1						1
	CABL. CONECTOR-PUENTE-LIM	WIRING CONN.-BRIDGE-POWER	12025206				1	1						1	1				1
	CABLEADO MONEDERO C.P.	WIRED PURSE C.P	12009766				1	1						1	1				
	CABLEADO PROG.MP	PROGRAMMED WIRING MP	12025136					1	1	1									
	CABLEADO AGUA-CALIENTE	HOT WATER WIRING 8/13/18	12024818						1			1							

# Зип Общепит

Instalaciones	Referencia	LAV-10	LAV-13	LAV-18	Notas
Placa rele M	P-613019000	X	X	X	
Circuito teclado display	P-613018000	X	X	X	
Indicador de componentes Lav	P-623011000	X	X	X	
Interruptor general C.I.	P-623017000	X	X	X	
Leyenda Lav	P-623014000	X	X	X	
<b>Componentes</b>	<b>Reference</b>	<b>LAV-10</b>	<b>LAV-13</b>	<b>LAV-18</b>	
Borne doble piso 2,5mm <small>Weidmuller DK 4/35 5276.6</small>	P-623006000	7	7	7	
Borne Azul 10mm	Z-263302000	1	1	1	
Borne Portafusible	R-073005000	2	2	2	
Borne tierra 10mm	P-453026000	2	2	2	
Condensador antiparasitario 0,1 uF	Z-233012000	7	7	7	
Contactador 20A NA	Z-203050000	2	2	2	
Contactador 35 A	P-433030000				
Contactador 60 A	X-183011000				
Electrovalvula simple	Z-701135000	2	2	2	
Electrovalvula doble	P-255001000	X	X	X	
Electrovalvula Triple	Z-611123000	X	X	X	
Electrovalvula simple 120 L/h Z-102305	Z-102323000				
Electroiman Biestable	P-613002000	X	X	X	
Fusible 4A	P-184011000	2	2	2	
Interuptor magnetico desequilibrio NA	Z-100522000	X	X	X	
Monedero	P-613004000	X	X	X	
Motor 10	P-615904000	X			
Motor 13	P-625905000		X		
Motor 18	P-635906000			X	
PG-21 Prensaestopas	R-023013000	X	X	X	
PG21 Tuerca	Q-223016000	X	X	X	
PG21 Junta de goma					
PG36 Junta de goma					
PG36 Prensaestopas	R-143010000				
PG36 Tuerca					
Regleta 2,5 mm <sup>2</sup> TEKOX1106PL D.int = 3,2mm	R-693010000	2/12	2/12	2/12	
Regleta 6 mm <sup>2</sup> 1/12 D.int = 4,1mm	Z-713035000				
Regleta 16 mm <sup>2</sup> 1/6 Elettro Gibi D.int = 5,5mm	Z-743006000				
Rele 16 A 2NA 230V 50/60Hz Faston FINDER	Z-203062000	X	X	X	
Resistencia 2KW 8KG	P-613008000	3			
Resistencia 3KW 13KG	P-623005000		3		
Resistencia 4KW 18KG	P-633002000			3	
Resistencia 6KW	P-533001000				
Señalización R,S,T,N,PE	Z-683068000	X	X	X	
Seccionador 8KG 32A 11,5kw Siemens 3LD22 30-OTK13	P-623003000	X			
Seccionador 13,18,25KG 63 A 22 kw Siemens 3LD25 30-OTK13	P-537038000		X	X	
Seccionador 125 A 45 Kw Siemens 3LD28 30-OTK13	P-543039000				
Sonda NTC + Limitador	P-503025000	X	X	X	
Terminal mini Mate-n-lok Hembra 170362-1	P-623016000				
Tope final 10mm	Z-263303000	X	X	X	
Tapa Cubierta conector Sub-D	P-613014000	X	X	X	
Transformador 230/20-0-20 24-0	P-623004000	X	X	X	
Variador 10Kg	P-613007000	X			
Variador 13Kg	P-623002000		X		
Variador 18Kg	P-633003000			X	
Valvula de vaciado 8, 13, 18 Kg	P-302120000	X	X	X	

# Зип Общепит

VSP-3100000

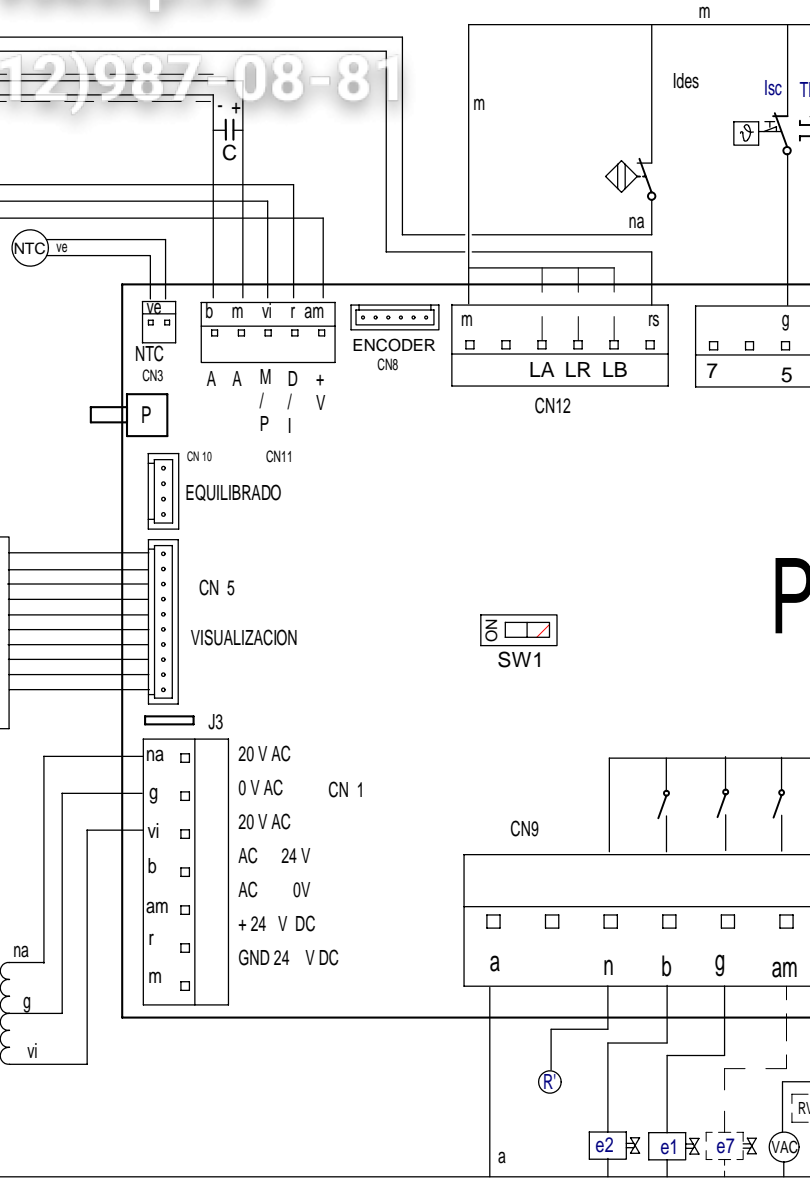
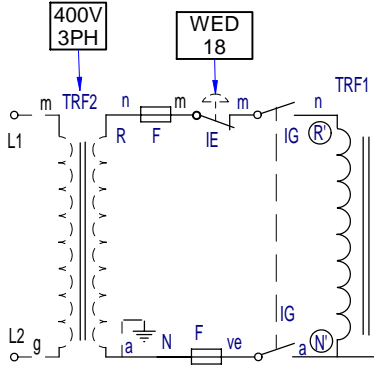
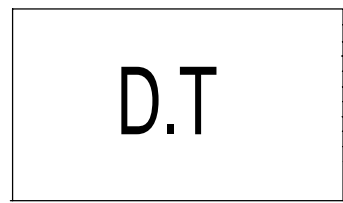
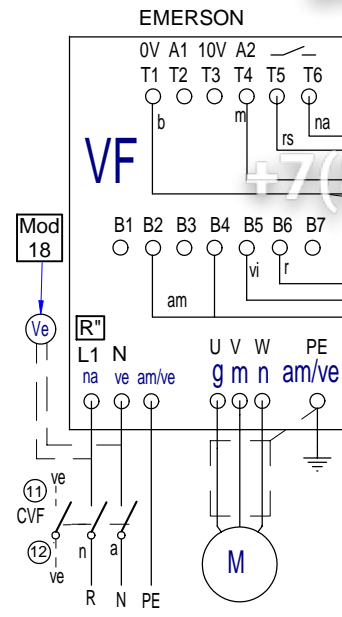
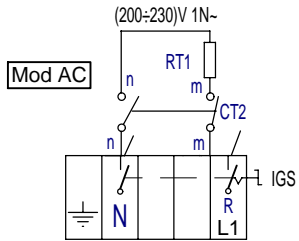
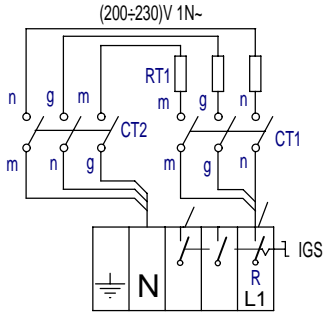
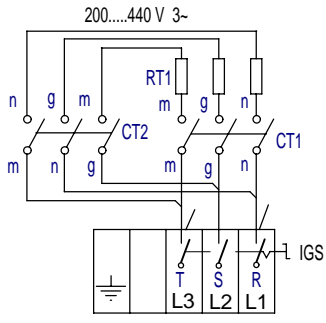
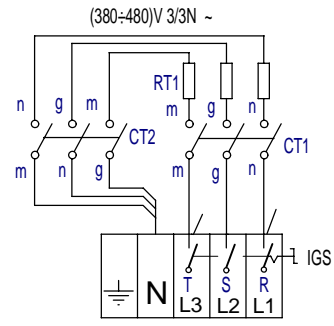
+7(812)387-08-81

Installations	Reference	LAV-10	LAV-13	LAV-18	Notes
Relay plate M	P-613019000	X	X	X	
Keyboard display circuit	P-613018000	X	X	X	
Wash components display	P-623011000	X	X	X	
C.I. Power switch	P-623017000	X	X	X	
Wash legend	P-623014000	X	X	X	
Components	Reference	LAV-10	LAV-13	LAV-18	
Double floor terminal 2.5 mm Weidmuller DK 4/35 5276.6	P-623006000	7	7	7	
Blue terminal 10 mm	Z-263302000	1	1	1	
Fuse holder terminal	R-073005000	2	2	2	
Earth terminal 10 mm	P-453026000	2	2	2	
Antiparasitic condenser 0.1 uF	Z-233012000	7	7	7	
Contactora 20A NA	Z-203050000	2	2	2	
Contactora 35 A	P-433030000				
Contactora 60 A	X-183011000				
Simple solenoid valve	Z-701135000	2	2	2	
Double solenoid valve	P-255001000	X	X	X	
Triple solenoid valve	Z-611123000	X	X	X	
Simple solenoid valve 120 L/h Z-102305	Z-102323000				
Bistable electromagnet	P-613002000	X	X	X	
4A fuse	P-184011000	2	2	2	
Imbalance magnetic switch NA	Z-100522000	X	X	X	
Coin slot.	P-613004000	X	X	X	
Motor 10	P-615904000	X			
Motor 13	P-625905000		X		
Motor 18	P-635906000			X	
PG-21 Packing glands	R-023013000	X	X	X	
PG21 Nut	Q-223016000	X	X	X	
PG21 Rubber seal					
PG36 Rubber seal					
PG36 Packing gland	R-143010000				
PG36 Nut					
Terminal strip 2.5 mm <sup>2</sup> TEKOX1106PL Int. diam. = 3.2 mm	R-693010000	2/12	2/12	2/12	
Terminal strip 6 mm <sup>2</sup> 1/12 Int. diam. = 4.1 mm	Z-713035000				
Terminal strip 16 mm <sup>2</sup> 1/6 Elettro Gibi Int. Diam. = 5.5 mm	Z-743006000				
Relay 16 A 2NA 230V 50/60Hz Faston FINDER	Z-203062000	X	X	X	
Resistance 2KW 8KG	P-613008000	3			
Resistance 3KW 13KG	P-623005000		3		
Resistance 4KW 18KG	P-633002000			3	
Resistance 6KW	P-533001000				
R,S,T,N,PE indication	Z-683068000	X	X	X	
Circuit Breaker 8KG 32A 11.5kw Siemens 3LD22 30-OTK13	P-623003000	X			
Circuit Breaker 13,18,25 KG 63 A 22 kw Siemens 3LD25 30-OTK13	P-537038000		X	X	
Circuit Breaker 125 A 45 Kw Siemens 3LD28 30-OTK13	P-543039000				
NTC probe + Limiter	P-503025000	X	X	X	
Mini terminal Mate-n-lok female socket 170362-1	P-623016000				
End buffer 10 mm	Z-263303000	X	X	X	
Cover lid connector Sub-D	P-613014000	X	X	X	
Transformer 230/20-0-20 24-0	P-623004000	X	X	X	
Variator 10 Kg	P-613007000	X			
Variator 13 Kg	P-623002000		X		
Variator 18 Kg	P-633003000			X	
Drainage valve 8, 13, 18 Kg	P-302120000	X	X	X	

# Зип Общепит

vsezip.ru

+7(812)987-08-81



Simb / LENG	ESPAÑOL	FRANÇAIS	ENGLISH	DEUTSCH
CT =	Contactador Calentamiento	Contacteur Chauffage	Heating Contactor	Heizschutz
DP =	Detector posición.	Détecteur position	Position detector	Stellung Taster
DS1	Dosificador Neutralizante.	Doseur Neutralisant	Neutralizer feeder	Dosiervorrichtung Neutralspülmittel
DS2	Dosificador jabon liquido.	Doseur lessive liquide	Liquid soap feeder	Dosiervorrichtung Flüssigseife
DS3	Dosificador aditivos.	Doseur additifs	Additive feeder	Dosiervorrichtung Zusatzmittel
D.T.	Display/Tedado	Ecran/Clavier	Display/Keyboard	Display/Tastatur
e1 =	Electro válvula agua Fria.	Électrovanne eau Froide	Cold water electrically operated valve	Elektroventil Kaltwasser
e2 =	Electro válvula agua Caliente	Électrovanne eau Chaude	Hot water electrically operated valve	Elektroventil Warmwasser
e3 =	Electro válvula Prelavado.	Électrovanne Prélavage	Pre-wash electrically operated valve	Elektroventil Vorwaschen
e4 =	Electro válvula Lavado.	Électrovanne Lavage	Wash electrically operated valve	Elektroventil Hauptwaschgang
e5 =	Electro válvula Lejia.	Électrovanne au Blei	Bleach electrically operated valve	Elektroventil Bleiche
e6 =	Electro válvula Suavizante.	Électrovanne Assouplissant	Softener electrically operated valve	Elektroventil Weichspüler
e7 =	Electro válvula agua Descalcificada	Électrovanne Eau Aducie	Deionized water electrically operated valve	Elektroventil entkalktes Wasser
e8 ,9,10 =	Electro válvula Equilibrado	Électrovanne Equilibrage	Balancer electrically operated valve	Elektroventil Gleichgewicht
e11 =	Electro válvula Vapor.	Électrovanne Vapeur	Steam electrically operated valve	Elektroventil Dampf
EP =	Electroimán de Puerta.	Électro-aimant de Porte	Door electric magnet	Elektromagnet Gerätedür
FI =	Filtro de Interferencias.	Filtre Anti-parasites	Interference filter	Störungsfilter
F =	Fusible.	Fusible	Fuse	Sicherung
G1/G2 =	Galga Sensor.	Jauge Capteur	Sensing gage	Meßsensor
IE =	Pulsador Parada de emergencia.	Bouton-poussoir Arrêt d'urgence	Emergency stop push button	Not-Aus-Taster
IG =	Interruptor general.	Interrupteur général	General switch	Hauptschalter
IGS =	Interruptor General de seguridad.	interrupteur Général de sécurité	General safety switch	Sicherheitshauptschalter
Ides =	Interruptor de desequilibrio.	Interrupteur de balourd	Unbalance switch	Ungleichgewichtsschalter
IMo =	Interruptor Monedero.	Interrupteur Monnayeur	Coin slot switch	Münzschalter
Ip =	Interruptor puerta Cerrada.	Interrupteur porte Fermée	Closed door switch	Schalter Tür geschlossen
Ipb =	Interruptor puerta bloqueada.	Interrupteur porte verrouillee	Door lock switch	Schalter Tür verriegelt
Isc =	Interruptor seguridad Temperatura	Thermostat Limiteur	Hi-limit Thermostat	Grenzthermostat
M =	Motor.	Moteur	Motor	Motor
Mo =	Monedero.	Monnayeur	Coin slot	Münzvorrichtung
NTC =	Sensor temperatura..	Capteur température	Temperature sensor	Temperatursensor
RT =	Resistencia Calentamiento.	Résistance Chauffe	Heating Resistors	Widerstand Aufheizung
Tm =	Térmico de Motor.	Thermique du Moteur	Motor hot-wire	Motorwärmeschalter
Trf =	Transformador	Transformateur	Transformer	Transformator
Trf s/N =	Transformador Versión sin Neutro.	Transformateur Version sans Neutre	Transformer Version without Neutral	Transformator Modell ohne Neutralstellung
VAC =	Válvula Vaciado	Vanne Vidange	Emptying valve	Ablassventil
Ve =	Ventilador.	Ventilateur	Fan	Ventilator
VF =	Convertidor de Frecuencia.	Convertisseur de Fréquence	Frequency converter	Frequenzumwandler
VM =	Ventilador Motor.	Ventilateur Moteur	Fan motor	Ventilator Motor
1...8 =	Puntos conexión dosificadores.	Points raccordement doseurs	Feeder connection points	Anschlusstellen Dosiervorrichtungen
<b>COLOR</b>	<b>COLORES</b>	<b>COULEURS</b>	<b>COLOUR</b>	<b>FARBEN</b>
a =	Azul	Bleu	Blue	Blau
am =	Amarillo	Jaune	Yellow	Gelb
am/ve =	Amarillo/verde	Jaune / vert	Yellow / green	Gelb/grün
b =	Bianco	Blanc	White	Weiß
g =	Gris	Gris	Grey	Grau
m =	Marrón	Marron	Brown	Braun
n =	Negro	Noir	Black	Schwarz
na =	Naranja	Orange	Orange	Orange
r =	Rojó	Rouge	Red	Rot
rs =	Rosa	Rose	Pink	Rosa
ve =	Verde	Vert	Green	Grün
vi =	Violeta	Violet	Purple	Violett

Legenda LAVAD