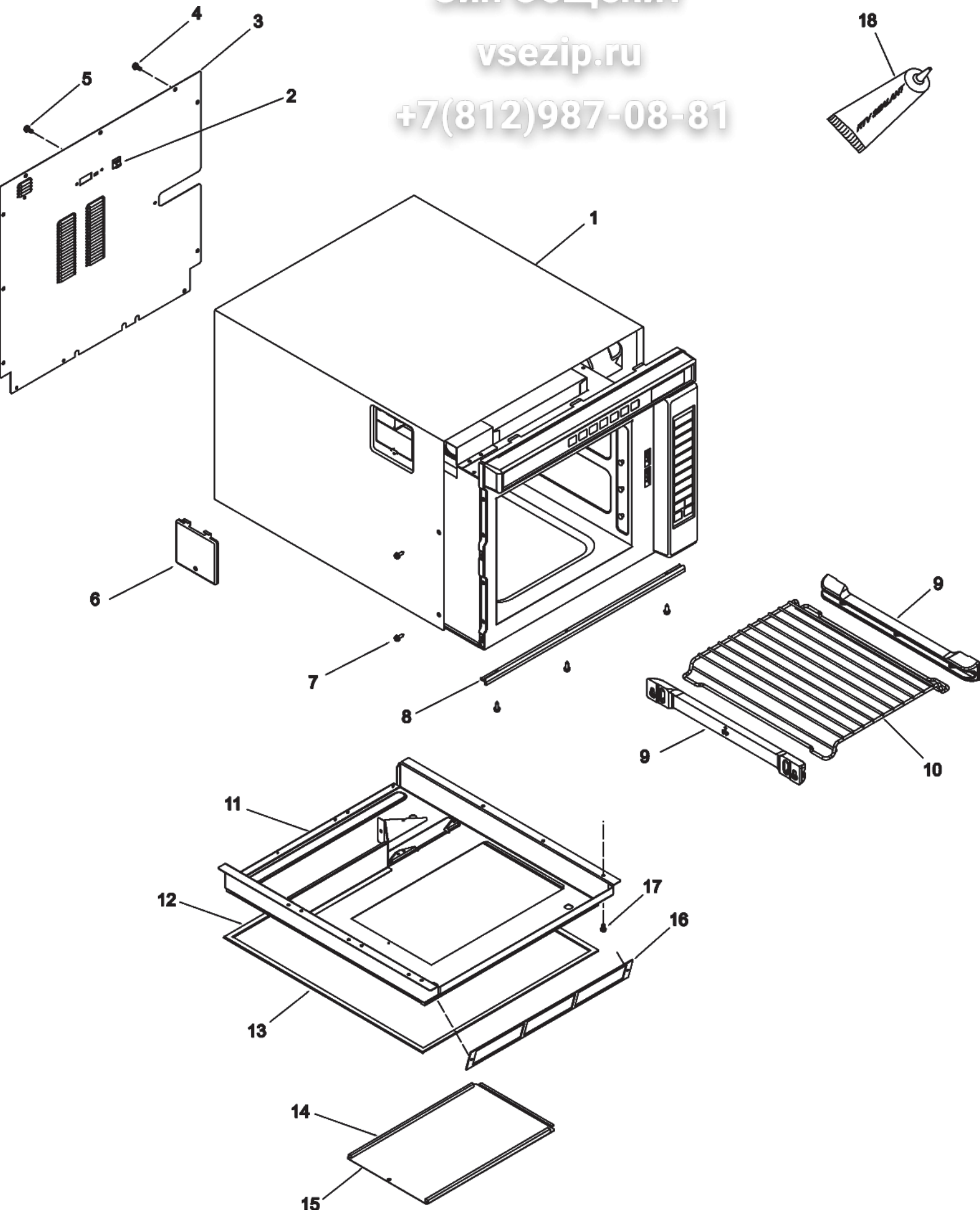


Зип Общепит

vsezip.ru

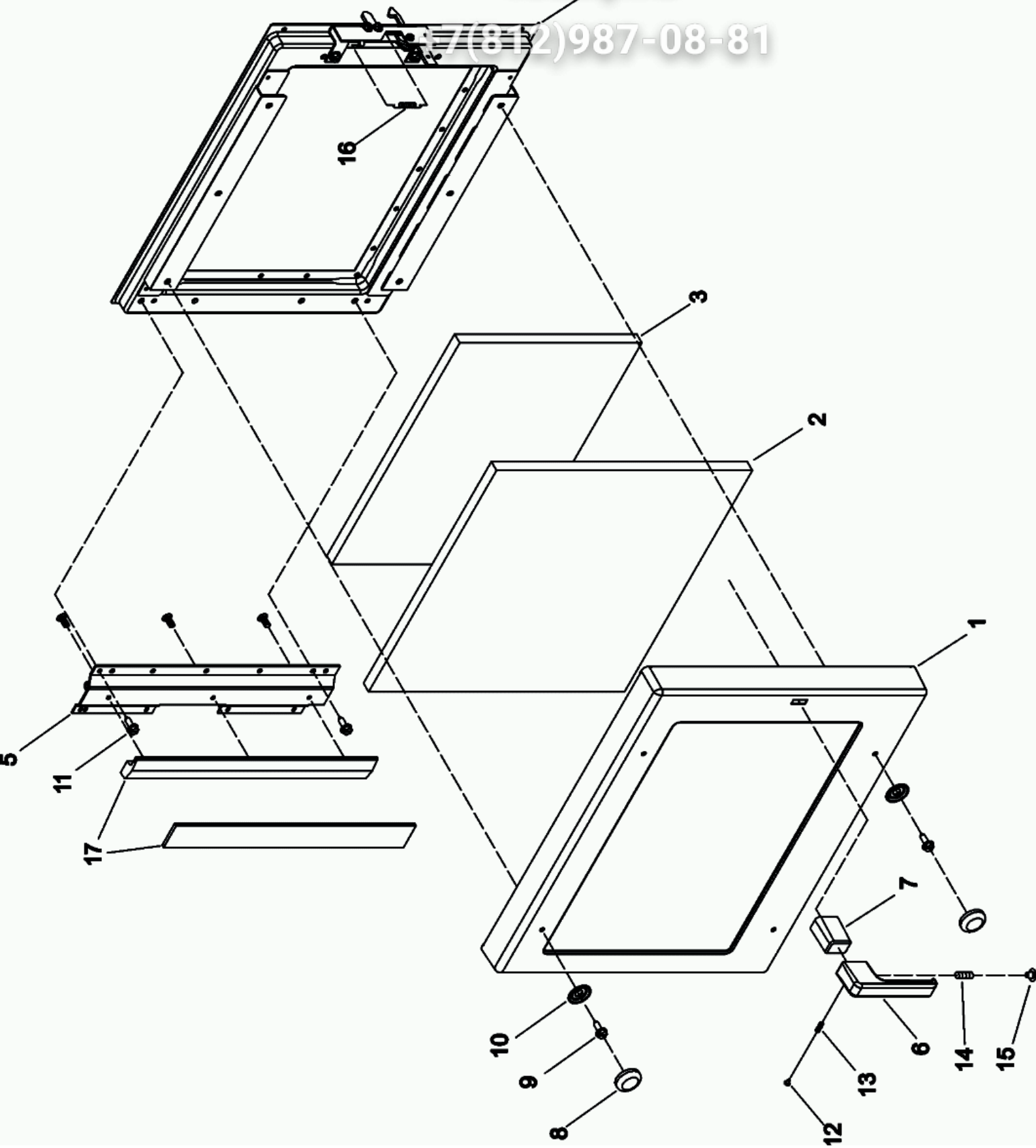
+7(812)987-08-81



Зип Ощепит

vsezip.ru

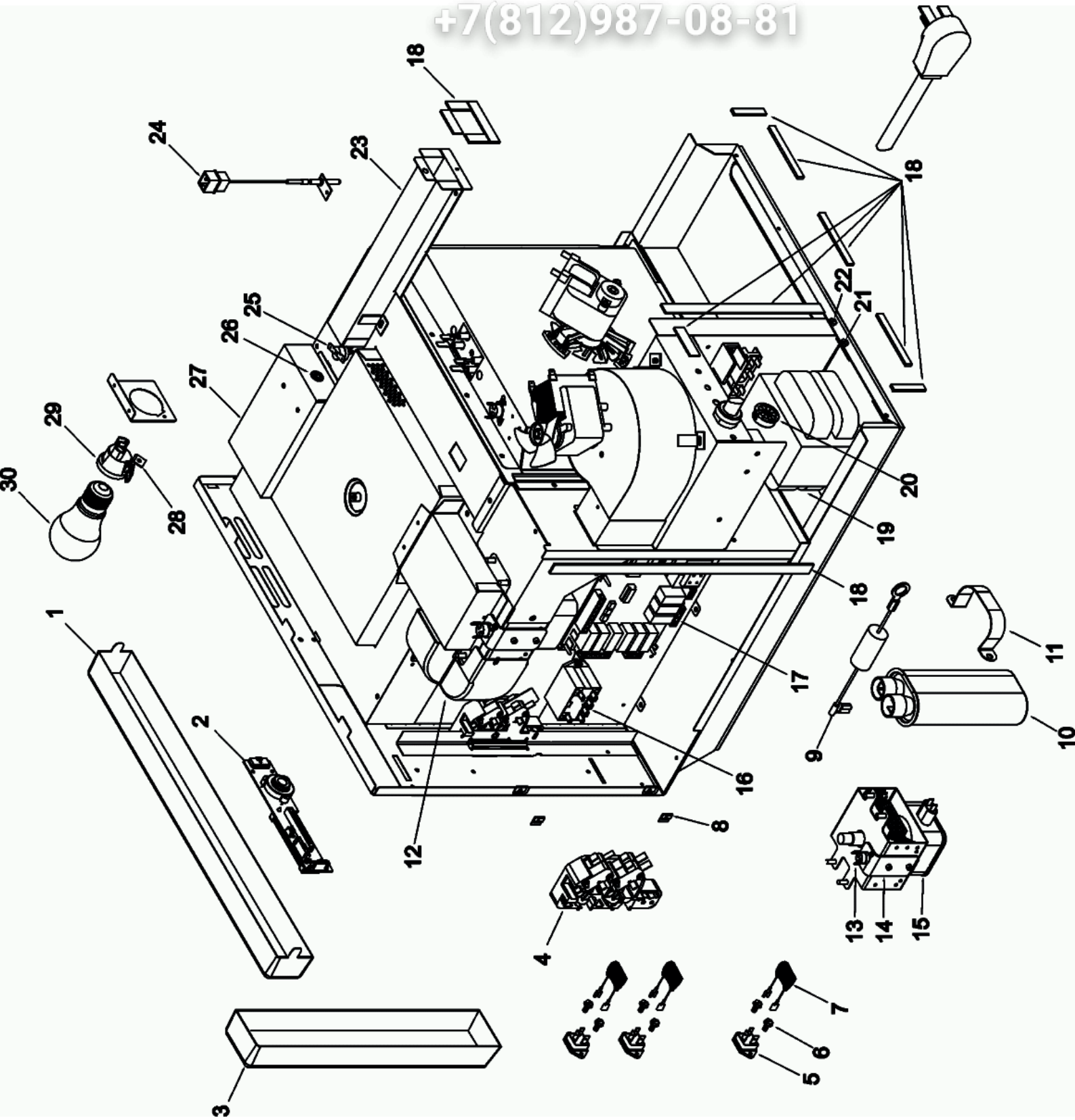
812)987-08-81



Зип Общепит

vsezip.ru

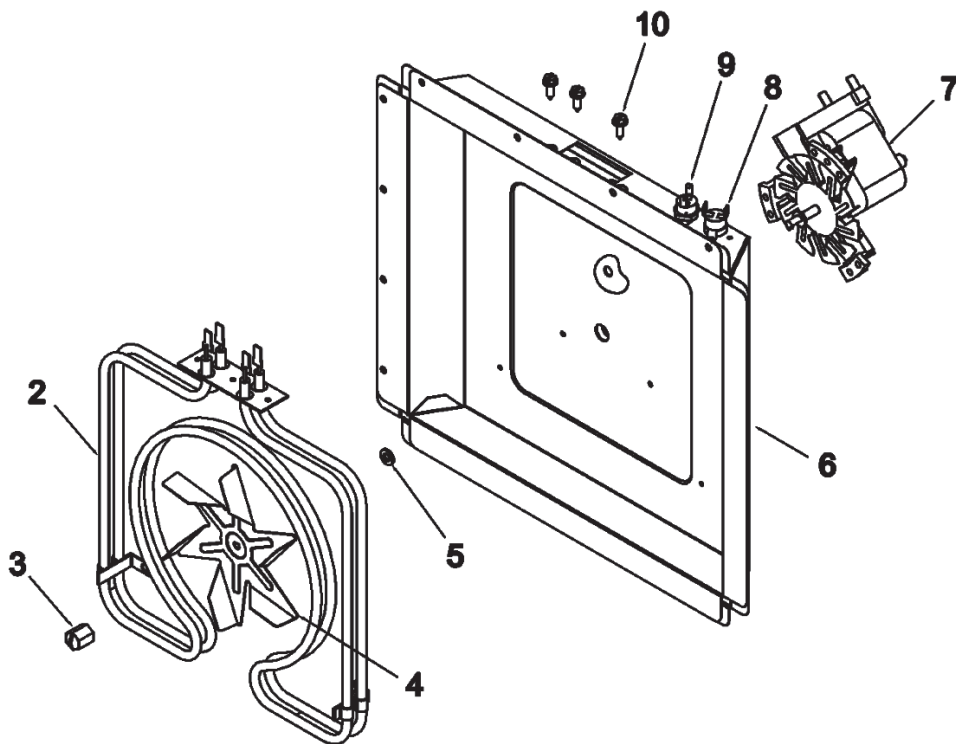
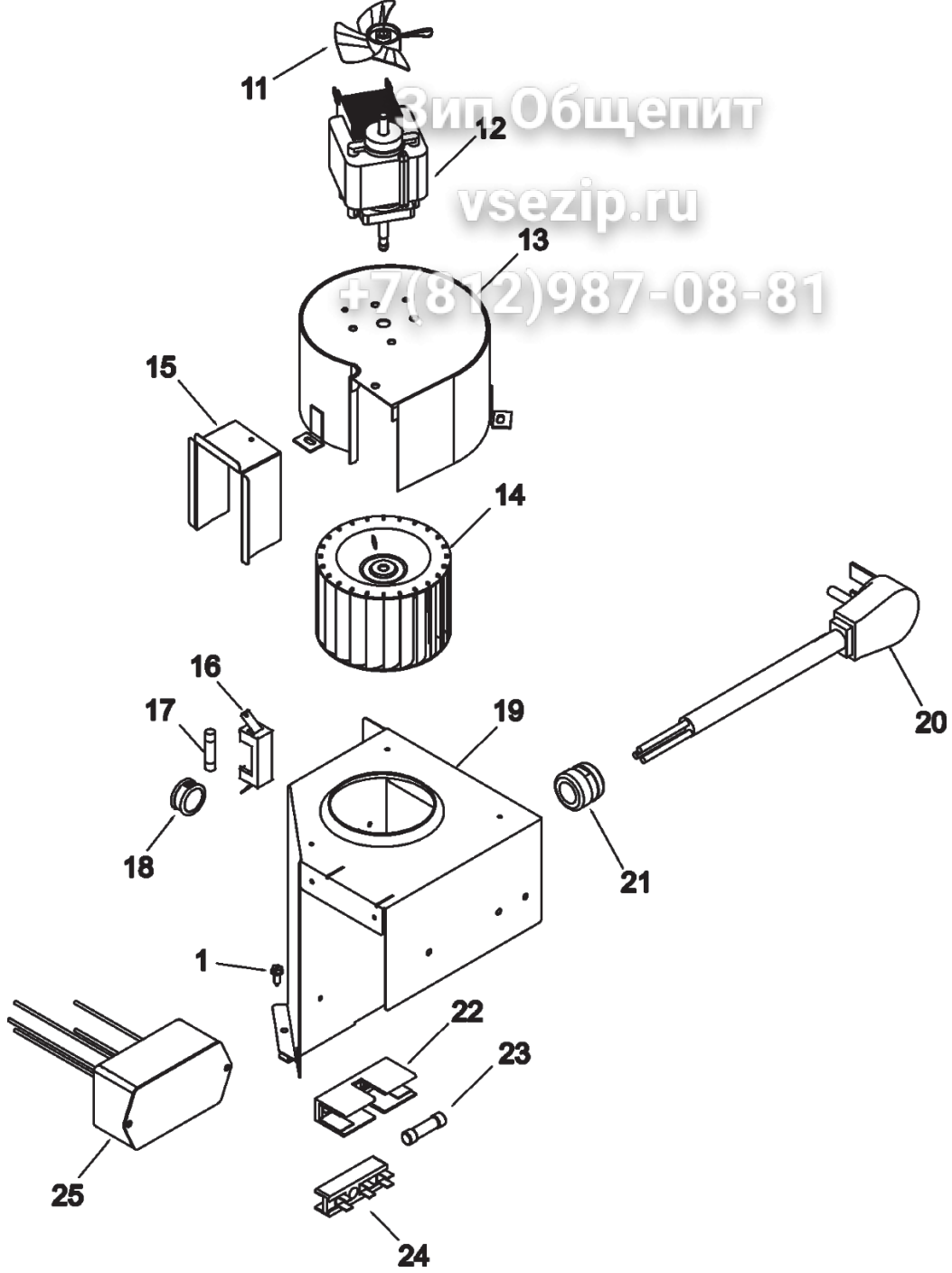
+7(812)987-08-81



Вип Общепит

vsezip.ru

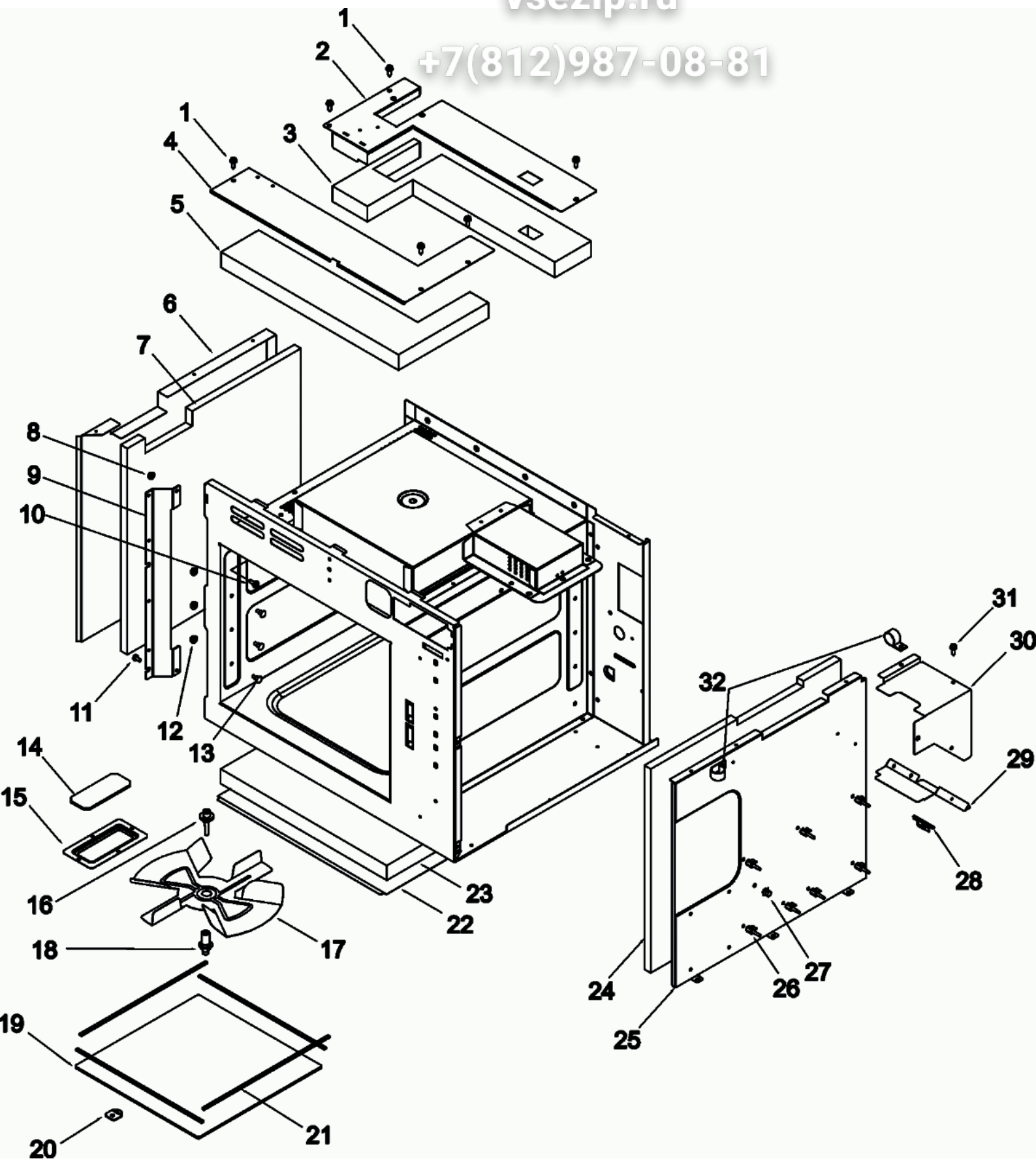
+7(812)987-08-81



Зип Общепит

vsezip.ru

+7(812)987-08-81





Seite	Pos	Kreditor Artikel Nr.	GB
001	001	10908901Q	WRAPPER- STAINLESS
001	002	M0104106	CLIP-CORD
001	003	12002804	ACCESS PAN WLD-E CT
001	004	12990526	SCREW-SM/HEX RoHS
001	005	12990525	SCREW-SM/HEX RoHS
001	006	13042001	SCREW-TF/OVAL RoHS
001	006	M0288215	NUT-SPEED
001	006	10785608	COVER-LIGHT
001	007	13042001	SCREW-TF/OVAL RoHS
001	008	13042002	SCREW-TF/OVAL RoHS
001	008	10909005	TRIM-OC
001	009	12523203	RACK GUIDE ASSY
001	010	12487403	RACK-OVEN
001	011	R0150116	NLA- BASE PAN & GASKET ASSY
001	012	59001646	GASKET, BASEPAN- CUT
001	013	59001647	GASKET, BASEPAN- CUT
001	014	A3030330	GASKET, PER FT
001	015	10782402	BOTTOM ACCESS-E CT
001	015	12990527	SCREW-SM/HEX RoHS
001	016	M0274066	WASHER-NYLON
001	016	13042801	SCREW, THUMB
001	016	10853102	GRILLE-AIR INLET
001	017	M0220417	SCREW
001	018	M0275408	SEALER, RTV 10.3 OZ-RED-OV CAV
002	001	59001511	DOOR, OUTER
002	002	59001720	INSULATION, DOOR- LARGE
002	003	59001719	INSULATION, DOOR- SMALL
002	004	59002021	INNER DOOR ASSY- ACE
002	005	59001869	HINGE, DOOR
002	006	12490902	HANDLE-DOOR
002	007	12576901	INSERT-HANDLE
002	008	59001660	CAP, SCREW
002	009	13042701	SCREW-TC/HOLT RoHS
002	010	M0295502	WASHER-CAP SCREW
002	011	12990527	SCREW-SM/HEX RoHS
002	012	12360703	PLUG-HOLE
002	013	59002036	SCREW SET CONE RoHS
002	014	13047001	SCREW-SET/DOG RoHS
002	015	M0310305	PLUG-WHITE BUTTON
002	016	59001721	SPRING, LATCH
002	017	59001230	COVER, HINGE- GRAY
002	018	92113P01	BIT, CROWS FOOT DRIVER
003	001	R0000280	TOUCH PANEL ASSY- TOP
003	001	59002047	SCREW, TF/HEX ROHS
003	002	12502401	BOARD, DISPLAY
003	002	13042002	SCREW-TF/OVAL RoHS
003	003	R0000279	TOUCH PANEL ASSY- SIDE
003	003	59002047	SCREW, TF/HEX ROHS
003	004	12002647	KIT, INTERLOCK SWITCH
003	004	59001952	SCREW
003	005	R0157373	KIT, TRIAC
003	006	12990526	SCREW-SM/HEX RoHS
003	007	59002017	SNUBBER ASSY
003	008	M0287016	NUT, SPEED
003	009	59002047	SCREW, TF/HEX ROHS
003	009	B8383102	DIODE
003	010	59001172	CAPACITOR- 1.30
003	011	A4055405	STRAP-CAPACITOR
003	012	12018101	DUCT, MAG/WVGD
003	013	B5684119	THERMAL CUTOUT
003	014	10999501	NLA- BRKT-TCO MTG
003	014	M0229916	SCREW-TC
003	015	59001484	MAGNETRON
003	016	59001981	RELAY
003	017	12502810	BOARD-HV
003	018	A3030330	GASKET, PER FT
003	019	10788620	TRANSFORMER
003	020	M0571001	BUSHING-SNAP
003	022	12990527	SCREW-SM/HEX RoHS

Зип-Общепит

vsezip.ru

+7(812)987-08-81

Seite	Pos	Kreditor Artikel Nr.	GB
003	023	12002901	FLUE DUCT WELD
003	023	12990526	SCREW-SM/HEX RoHS
003	024	12000202	SENSOR-TEMP
003	024	13045501	NUT-#6 KEPS
003	024	59002047	SCREW, TF/HEX ROHS
003	025	B5684102	CUTOUT-THERMAL
003	026	A3293501	NLA- BUSHING-SNAP
003	027	12630501	NLA- LAMP COVER WELD
003	028	59002061	SCREW, SM/PAN
003	028	B8376701	BRKT-LIGHT
003	029	12990522	SCREW-SM/HEX RoHS
003	029	B8376801	SOCKET-LIGHT
003	030	67002552	BULB, LIGHT (40W-250V)
004	001	12990526	SCREW-SM/HEX RoHS
004	002	13041801	SCREW-TC/PAN RoHS
004	002	12000108	HEATER ASSY
004	003	12538001	NUT-CAP
004	004	12537901	BLADE, FAN
004	005	12546101	WASHER
004	006	59001513	HEATER BOX
004	007	12537803	MOTOR-CONVECTION
004	007	M0229616	SCREW-SM
004	008	B5684123	THERMAL CUTOUT
004	009	31866P01	CUTOUT-THERMAL
004	010	12990606	SCREW-SM/PAN RoHS
004	011	B5706704	BLADE, FAN
004	012	12992305	SCREW-TF/HEX RoHS
004	012	10773308	MOTOR-BLOWER
004	013	10797203	SCROLL WELD
004	013	59002047	SCREW, TF/HEX ROHS
004	014	C3670809	WHEEL-BLOWER
004	015	10977801	TRANSITION-BLOWER
004	015	12990526	SCREW-SM/HEX RoHS
004	016	12136503	BLOCK-1 POLE FUSE
004	016	59002061	SCREW, SM/PAN
004	017	M0805102	FUSE-15A
004	018	M0571003	BUSHING-SNAP
004	019	12000812	NLA- BLOWER BRKT WELD
004	020	59002001	POWER CORD
004	021	M0370009	RELIEF-STRAIN
004	022	12990522	SCREW-SM/HEX RoHS
004	022	10091101	BLOCK-FUSE
004	023	M0805203	FUSE-20A
004	024	12990606	SCREW-SM/PAN RoHS
004	024	B5677203	BLOCK-TERMINAL
004	025	A4539638	RIVET-POP RoHS
004	025	12130001	FILTER-LINE
005	001	12990526	SCREW-SM/HEX RoHS
005	002	10977401	RETAINER-TOP/BACK INSUL
005	003	12000701	INSUL-TP BACK
005	004	10978002	RETAINER-TOP INSUL
005	005	12000702	INSUL-TP FT
005	006	10977301	RETAINER-INSUL L
005	007	12000501	INSUL-L PAN
005	008	13045501	NUT-#6 KEPS
005	009	12189004	BRKT-HINGE SUPPORT
005	010	M0202557	SCREW-MACH
005	011	59002047	SCREW, TF/HEX ROHS
005	012	59002051	NLA- NUT-#8 KEPS
005	013	12030101	BOLT-SHOULDER
005	014	12047501	NLA- GLASS-OVEN LIGHT
005	015	10978201	NLA- RETAINER-LT GLASS
005	015	M0213802	SCREW-SM
005	016	12004401	SHAFT-STIRRER
005	017	10825904Q	BLADE, STIRRER
005	018	R0130737	KIT, STIRRER BLADE
005	019	R0150115	COVER, STIRRER
005	020	12188901	RETAINER-TRAY
005	020	M0213802	SCREW-SM

Зип-Общепит

vsezip.ru

+7(812)987-08-81

Seite	Pos	Kredtor Artikel Nr.	GB
005	021	12019002	GASKET
005	022	10977501	RETAINER-BTM INSUL
005	023	12000703	INSUL-CAVITY
005	024	12000401	INSUL-R PAN
005	025	59001652	RETAINER, SIDE INSUL RT
005	026	5043-W	#6 F X 1/4" SCREW (25)
005	026	12990522	SCREW-SM/HEX RoHS
005	028	M0104106	CLIP-CORD
005	029	12990526	SCREW-SM/HEX RoHS
005	029	10978601	DUCT-BLOWER/MAG
005	030	10978702	NLA- COVER, MAG INLET
005	031	12990522	SCREW-SM/HEX RoHS
005	032	12990524	SCREW-SM/HEX RoHS
005	032	13049701	CLAMP-.75 TUBE
		13062001	MANUAL-PRODUCT SAFETY
		13018601	HARNESS-OVEN
		13018301	HARNESS-PC BOARD
		13018201	HARNESS-INTERLOCK
		13018401	NLA- HARNESS-OVEN LT
		13018501	HARNESS-OVEN
		13017704	WIRE-HV JUMPER
		13017705	WIRE-HV JUMPER
		13017706	WIRE-HV JUMPER
		92113P01	BIT, CROWS FOOT DRIVER
		M0275408	SEALER, RTV 10.3 OZ-RED-OV CAV
		59001516	NLA- FLAT SHEET
		59001517	SEE BULLETIN TCM-0023A-B
		59001518	NLA- FRY BASKET
		59001520	NLA- CAVITY CLEANER

Зип Общепит

vsezip.ru

+7(812)987-08-81



SCHEMATIC CONDITION: DOOR OPEN

230V 50HZ

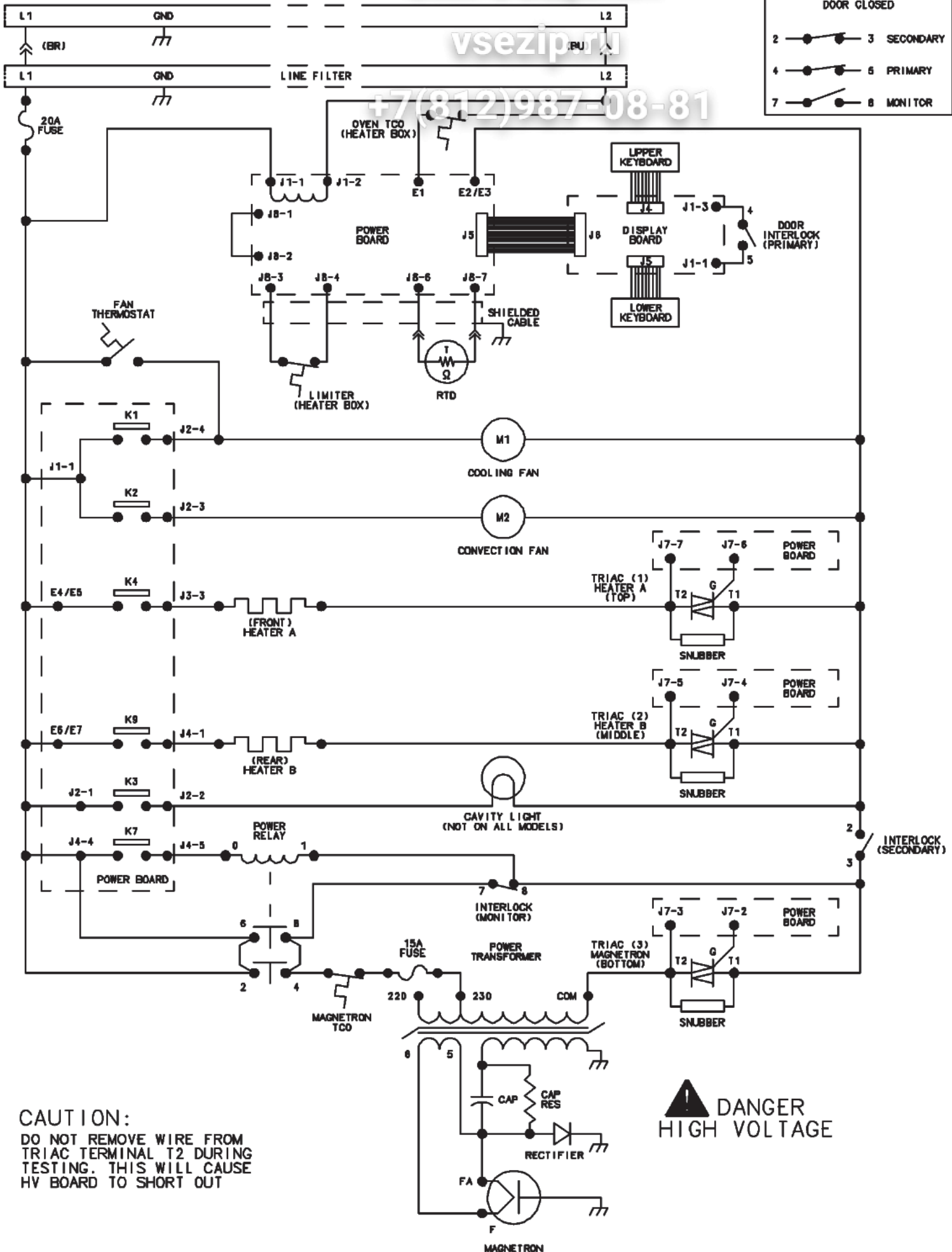
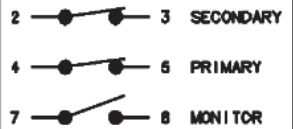
Зип Общепит

vsezip.ru

+7(812)987-08-81

INTERLOCK SWITCH SCHEMATIC

DOOR CLOSED



**CAUTION:**  
DO NOT REMOVE WIRE FROM TRIAC TERMINAL T2 DURING TESTING. THIS WILL CAUSE HV BOARD TO SHORT OUT

**⚠ DANGER HIGH VOLTAGE**