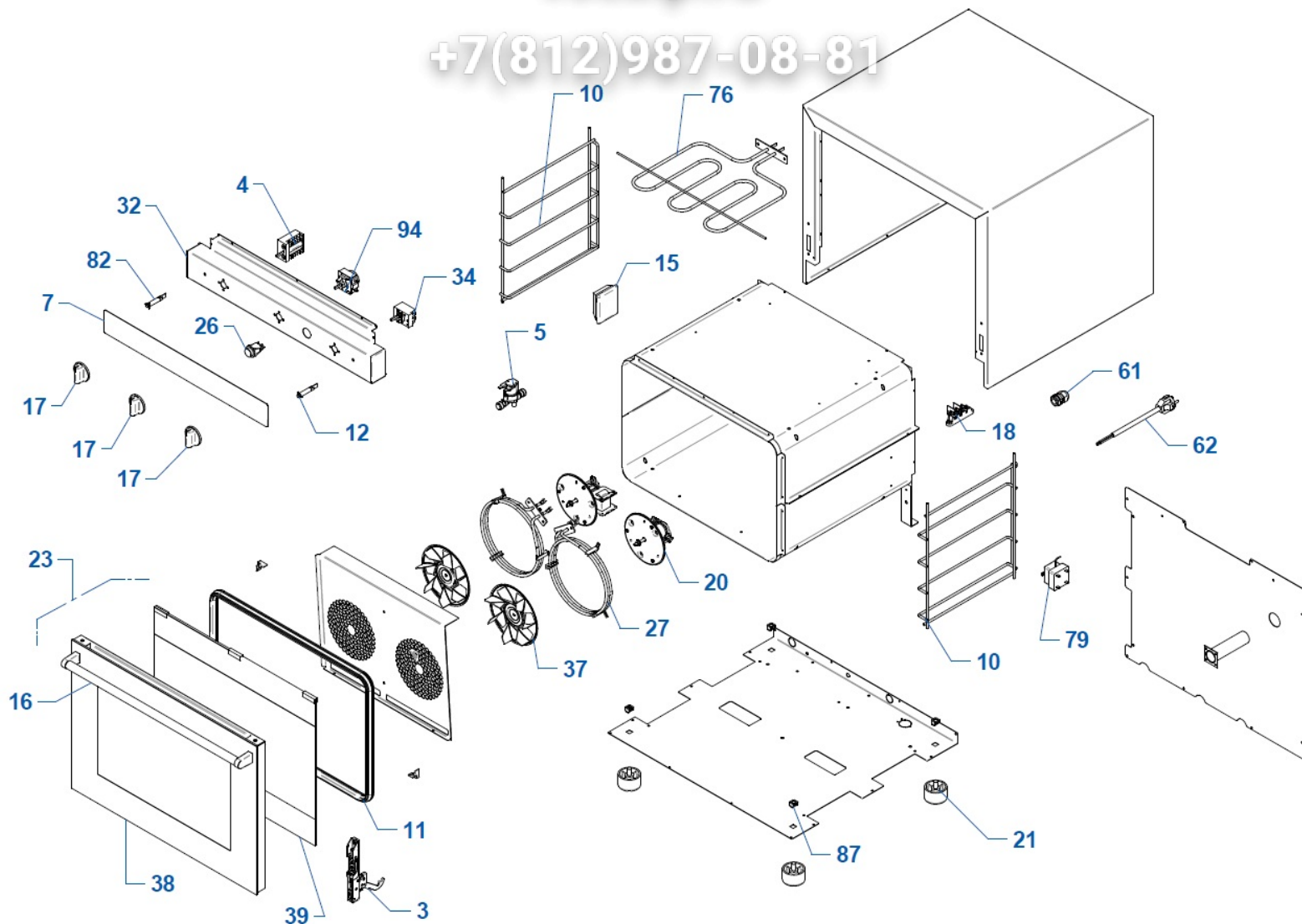


PF5004P

- CABOTO MECC. OVEN 41 GRILL UMID. RIB. 2 MOT.

3 вид. Общегит
vcezip.ru
© PIRON 13/10/2018

+7(812)987-08-81



N	ITEM	N	ITEM
3	CER30011		
4	COM30002		
5	ELE30011		
10	GRI30122		
10	GRI30123		
11	GUA30002		
12	IND30002		
15	LAM00004		
16	MAG30042		
17	MAN30014		
18	MOR30005		
20	MOT30029		
21	PIE30010		
23	POR00056		
26	PUL30003		
27	RES30024		
32	TAP30018		
34	TER30016		
37	VEN30015		
38	VET00056		
39	VET30082		
46	SCN00108		
47	FON30148		
61	PPC30004		
62	CAV30014		
76	RES30004		
79	TER30011		
82	IND30001		
87	DAD30010		
94	PRG30001		

PF5004P

- CABOTO MECC. OVEN 4T GRILL UMID. RIB. 2 MOT.

N	ITEM	DESCRIPTION (IT)	N	ITEM	DESCRIPTION (IT)
3	CER30011	CERNIERA PORTA			
4	COM30002	COMM FORNO 4+0 FORNI GRILL 46.25866.560			
5	ELE30011	ELETTROV. SINGOLA JG-JG RID. MARK.			
10	GRI30122	REGGITEGLIE DX PF5004E-PF5004F CROMATO			
10	GRI30123	REGGITEGLIE SX PF5004E-PF5004F CROMATO			
11	GUA30002	GUARNIZIONE PORTA			
12	IND30002	GEMMA ARANCIONE			
15	LAM00004	GRUPPO LAMPADA RETTANG. BJB 77.708 25W 230V G9 VETRO A INCASTRO			
16	MAG30042	ASS. MANIGLIA I=560 TEST. PLA + TUB INOX			
17	MAN30014	MANOPOLA			
18	MOR30005	MORSETTIERA INTERNA 3 POLI SFK			
20	MOT30029	MOTORE			
21	PIE30010	PIEDINO FORATO			
23	POR00056	***ASS. PORTA COMPLETA 524 VET30056 NERO (POR00312)			
26	PUL30003	PULSANTE UMIDIFICAZIONE			
27	RES30024	RESIST.CIRC.2SP Ø186 1600W RE3114/0			
32	TAP30018	TAPPO DX-SX CRUSCOTTO COMANDI			
34	TER30016	TER.TEMPERATURA EGO 292°C UL 55.17053.100			
37	VEN30015	VENTOLA D152 H20 6P S /MOZZO INOX			
38	VET00056	ASS.CRIST.EST. 524 VET30056			
39	VET30082	VETRO INTERNO			
46	SCN00108	***SCHIENA ASOLATA FORNO PF5004F-P-M (SCN00080)			
47	FON30148	***FONDO PF5004 E-F-B-P-M-N PPC+MOR (FON30157)			
61	PPC30004	PASSA PRESSA CAVO M20x1,5 + DADO M20			
62	CAV30014	CAVO L1,5m 3X2,5mm H07RN-F SPINA SCHUKO			
76	RES30004	RESISTENZA GRILL 1800W			
79	TER30011	TERMOSTATO DI SICUREZZA			
82	IND30001	GEMMA VERDE			
87	DAD30010	DADO IN GABBIA M10 M10A123			
94	PRG30001	TIMER 0-120 MINUTI			

PF5004P

- CABOTO MECC. OVEN 4T GRILL UMID. RIB. 2 MOT.

N	KIT	DESCRIPTION (IT)	N	ITEM	DESCRIPTION (IT)
3	KCR00010	KIT CERNIERE 2X CER30011 + 2X CER30012			
3	KCR20010	KIT SPARE PART 20 X CER30011 + 20 X CER30012			
4	KCM00002	KIT SPARE PART COM30002			
5	KEE00011	KIT ELETTRIVALVOLA SINGOLA ELE30011			
10	KGI00096	KIT REGGITEGLIE GRI30122+GRI30123			
10	KGI00096	KIT REGGITEGLIE GRI30122+GRI30123			
11	KGA00002	KIT GUARNIZIONE PORTA GUA30002 5MT			
11	KGA10002	KIT SPARE PART GUA30002 x 50 mt			
12	KID00002	KIT INDICATORE LUMINOSO IND30002			
15	KLM00004	KIT LAMPADA COMPLETA 2 PZ LAM00004			
16	KMG00042	KIT MANIGLIA MAG30042			
17	KMN00014	KIT MANOPOPLA 3X MAN30014			
18	KHS00003	KIT MORSETTIERA 3 POLI MOR30005 PF5504			
18	KMR00005	KIT MORSETTIERA 3 POLI MOR30005			
20	KMT00029	KIT MOTORE MOT30029			
21	KPE00010	KIT PIEDINI 4 X PIE30010			
23	KPR00056	KIT PORTA POR00056			
26	KPL00003	KIT PULSANTE UMIDIFICAZIONE PUL30003			
27	KRS00024	KIT RESISTENZA RES30024			
32	KCU00003	KIT CRUSCOTTO CRU30203+2XTAP30018			
32	KTP00018	KIT TAPPI 2X TAP30018			
34	KTR00016	KIT TERMOSTATO TER30016			
37	KVN00015	KIT VENTOLA VEN30015			
38	KVT00056	KIT VETRO ESTERNO VET00056			
39	KVT00082	KIT VETRO INTERNO VET30082			
61	KPC00004	KIT SPARE PART PPC30004			
62	KCV00014	KIT SPARE PART CAV30014			
76	KRS00004	KIT SPARE PART RES30004			
79	KTR00011	KIT SPARE PART TER30011			
82	KID00001	KIT SPARE PART IND30001			
87	KDD00010	KIT SPARE PART 4 X DAD30010			
94	KPG00001	KIT TIMER PRG30001			