

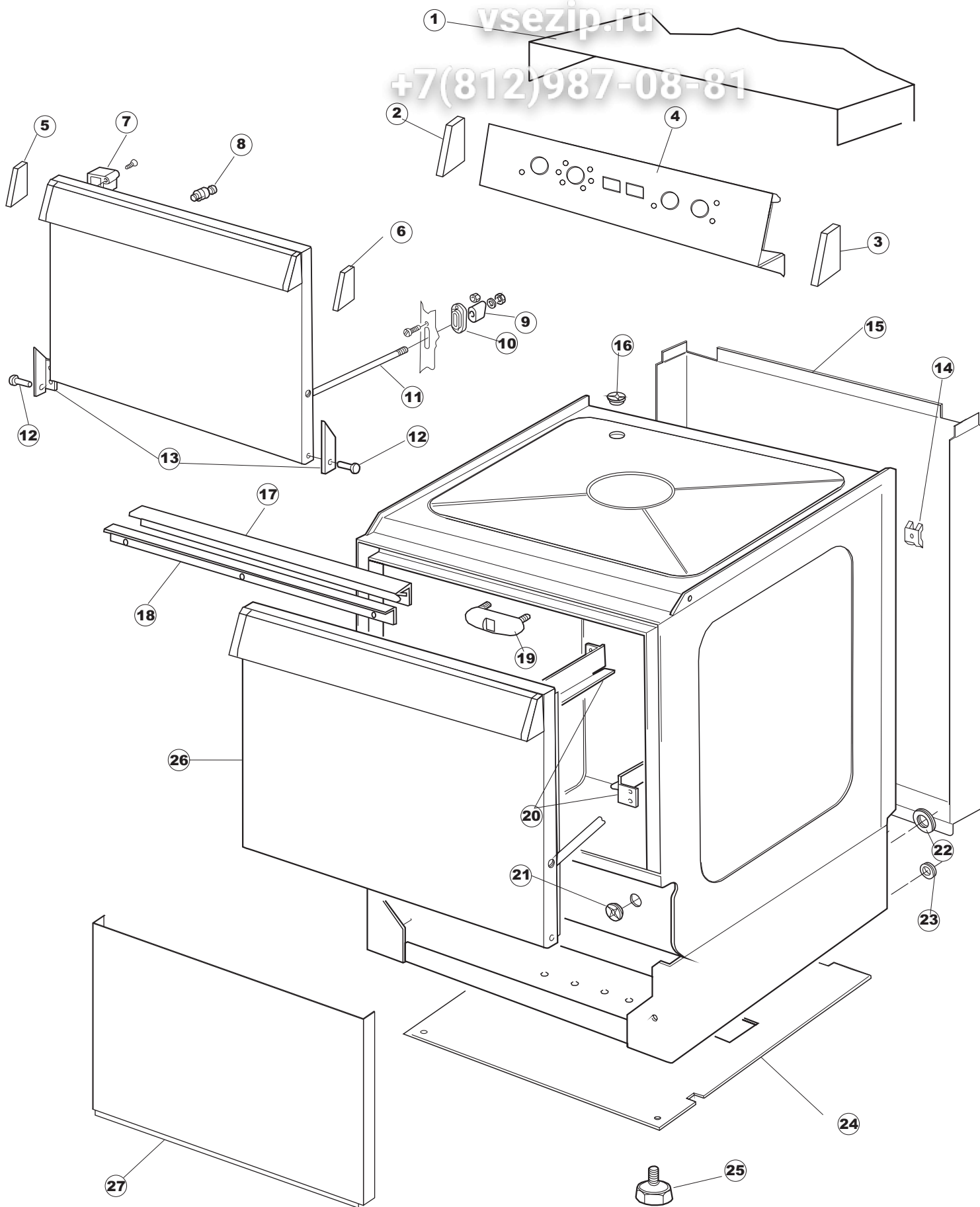
Зип Общепит

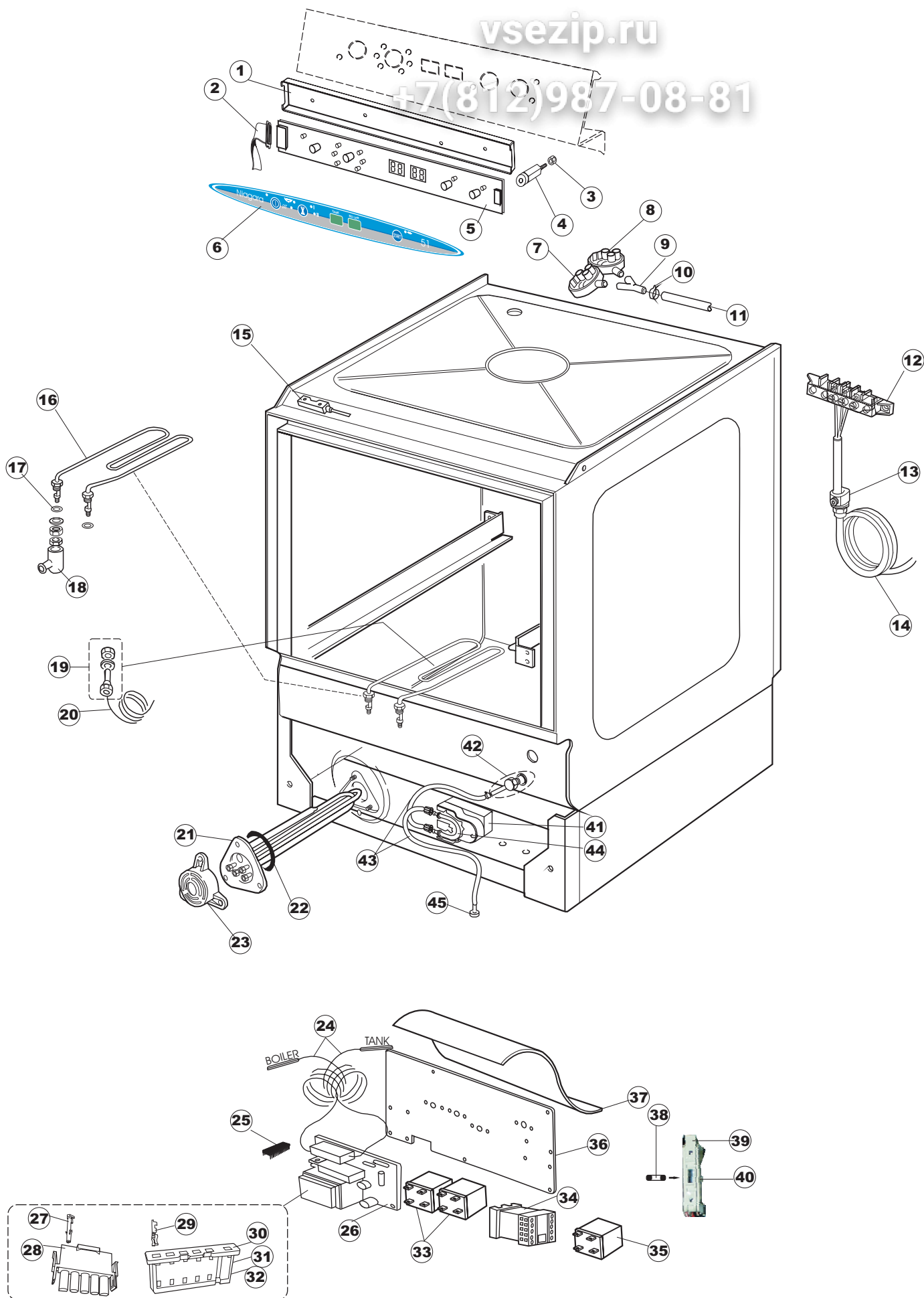
vsezip.ru
ELETTPOBAP
+7(812)987-08-81

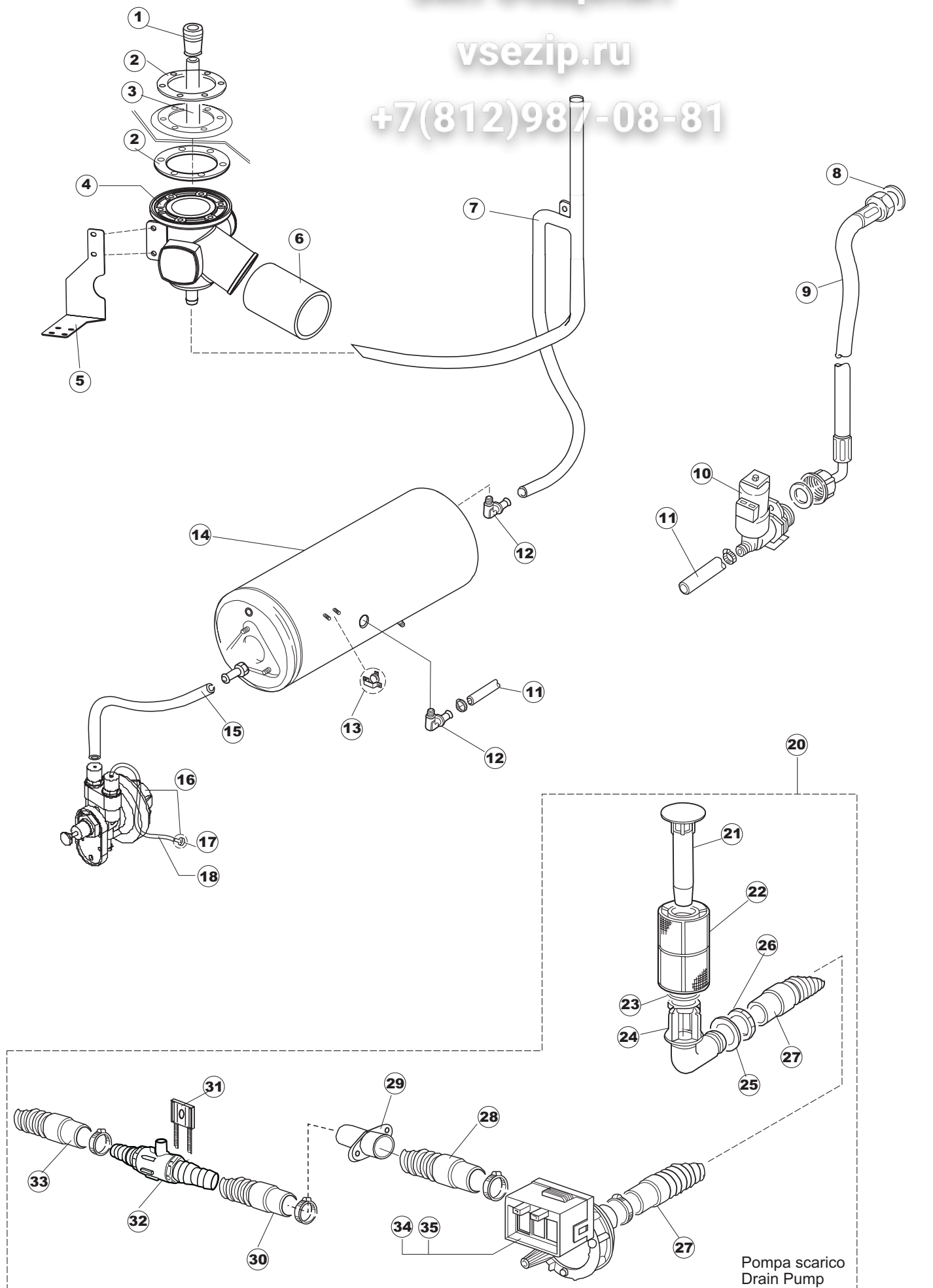
**SPARE PARTS CATALOGUE
ERSATZTEILKATALOG
CATALOGUE PIECES DETACHEES
CATALOGO PARTI RICAMBIO
CATALOGO DE PIEZAS DE RECAMBIO
CATALOGO PEÇAS DE REPOSIÇÃO**

Niagara 51

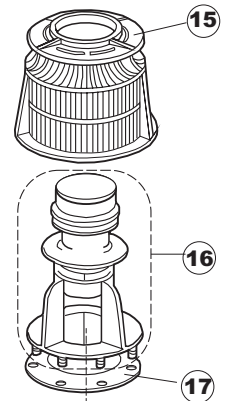
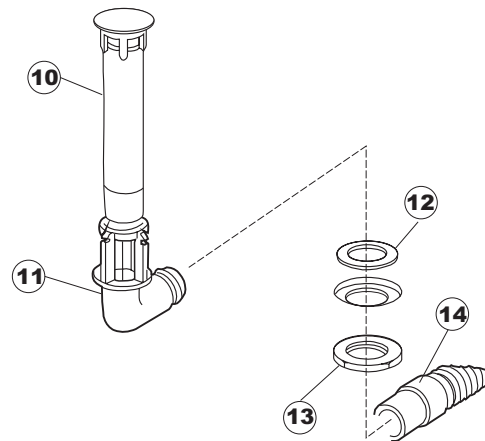
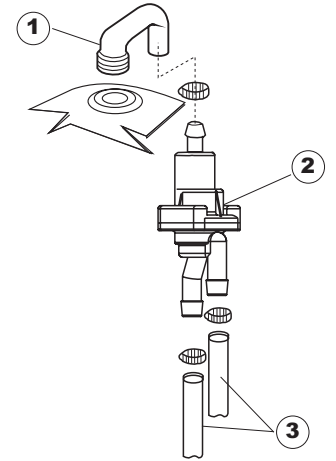
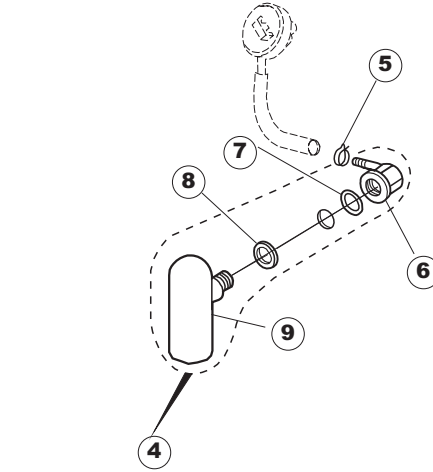
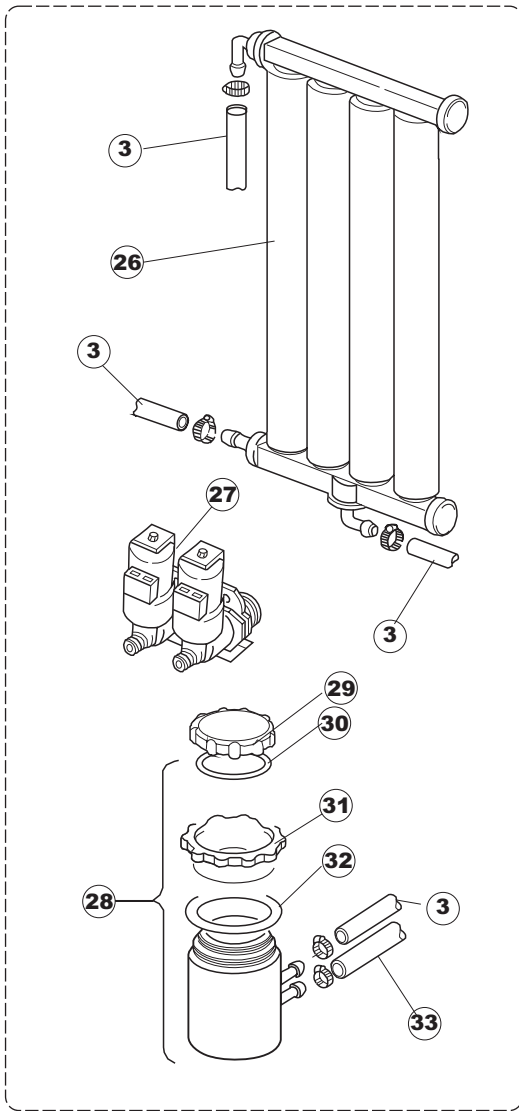
08-01-2008



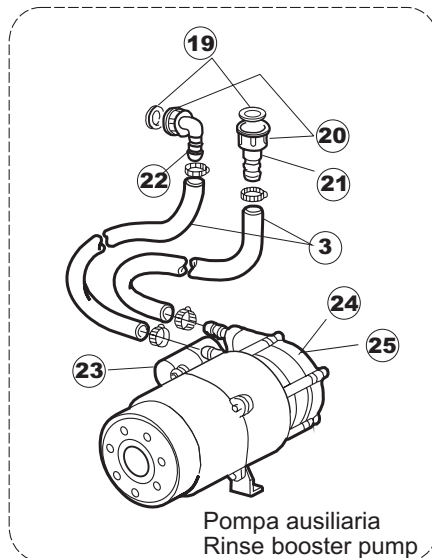
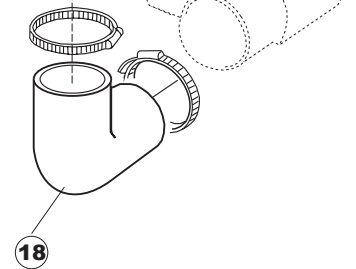




Pompa scarico
Drain Pump



TAV.7

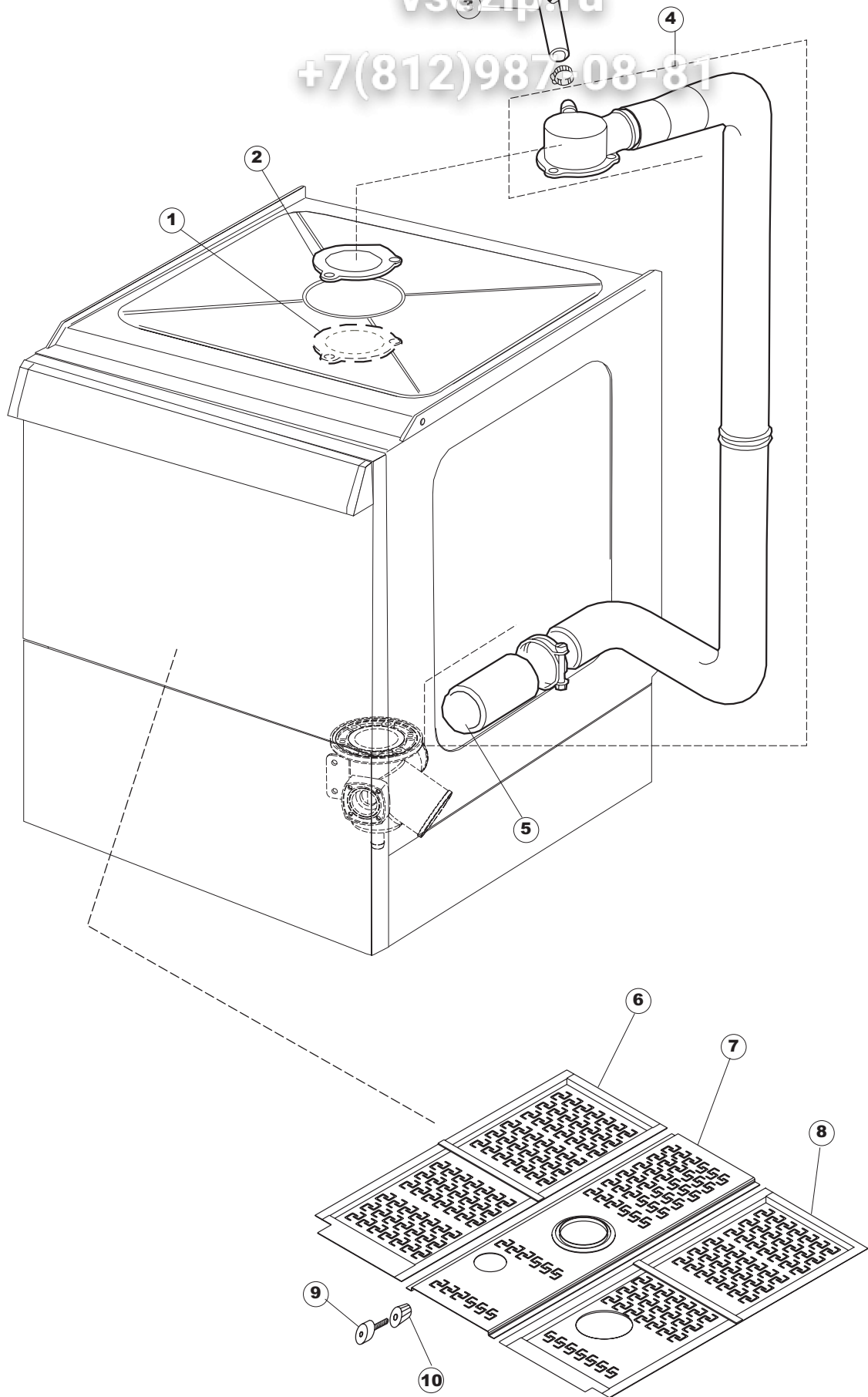


Pompa auxiliară
Rinse booster pump

5 Zip Общепит

vsezip.ru

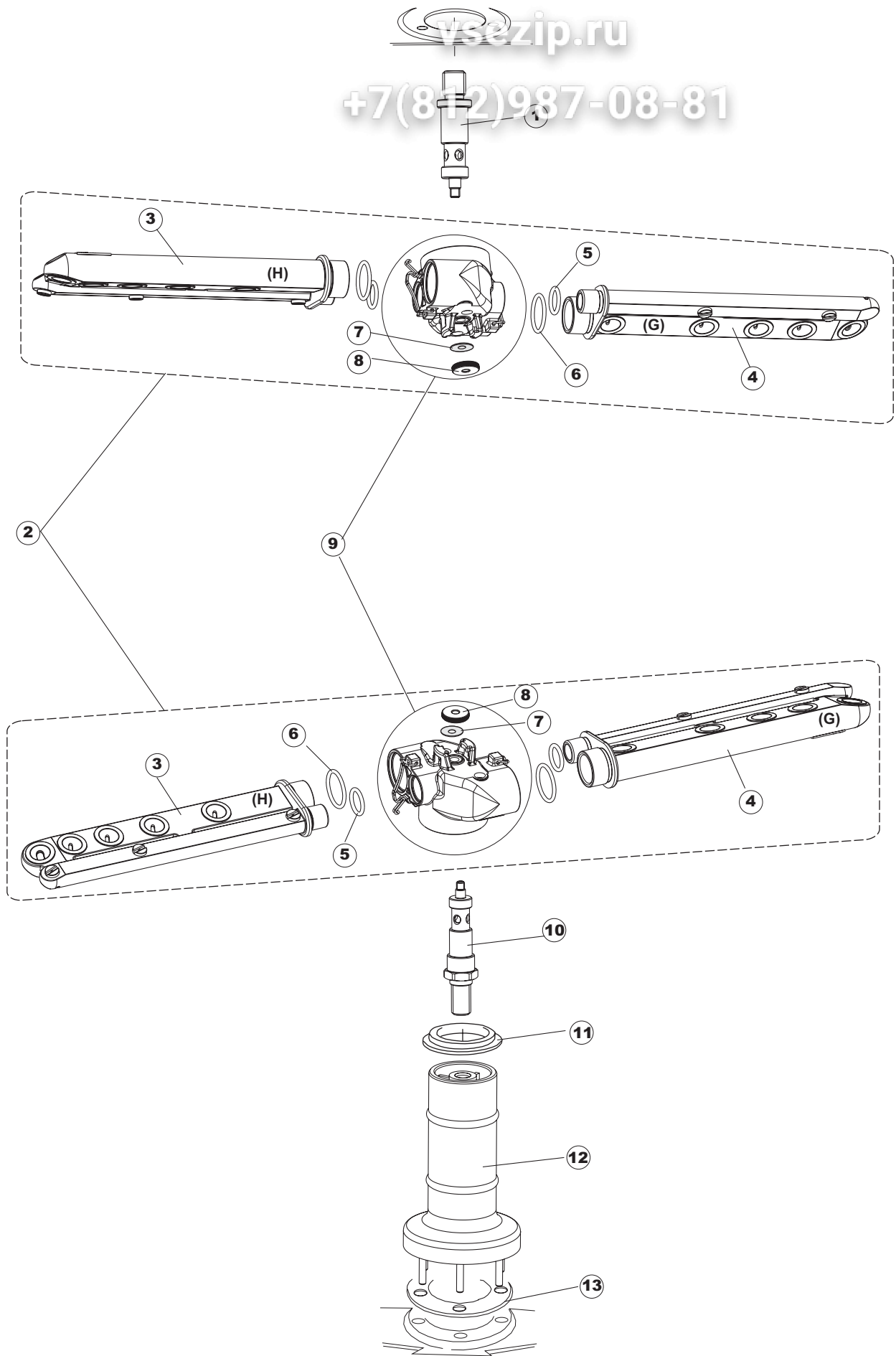
+7(812)987-08-81

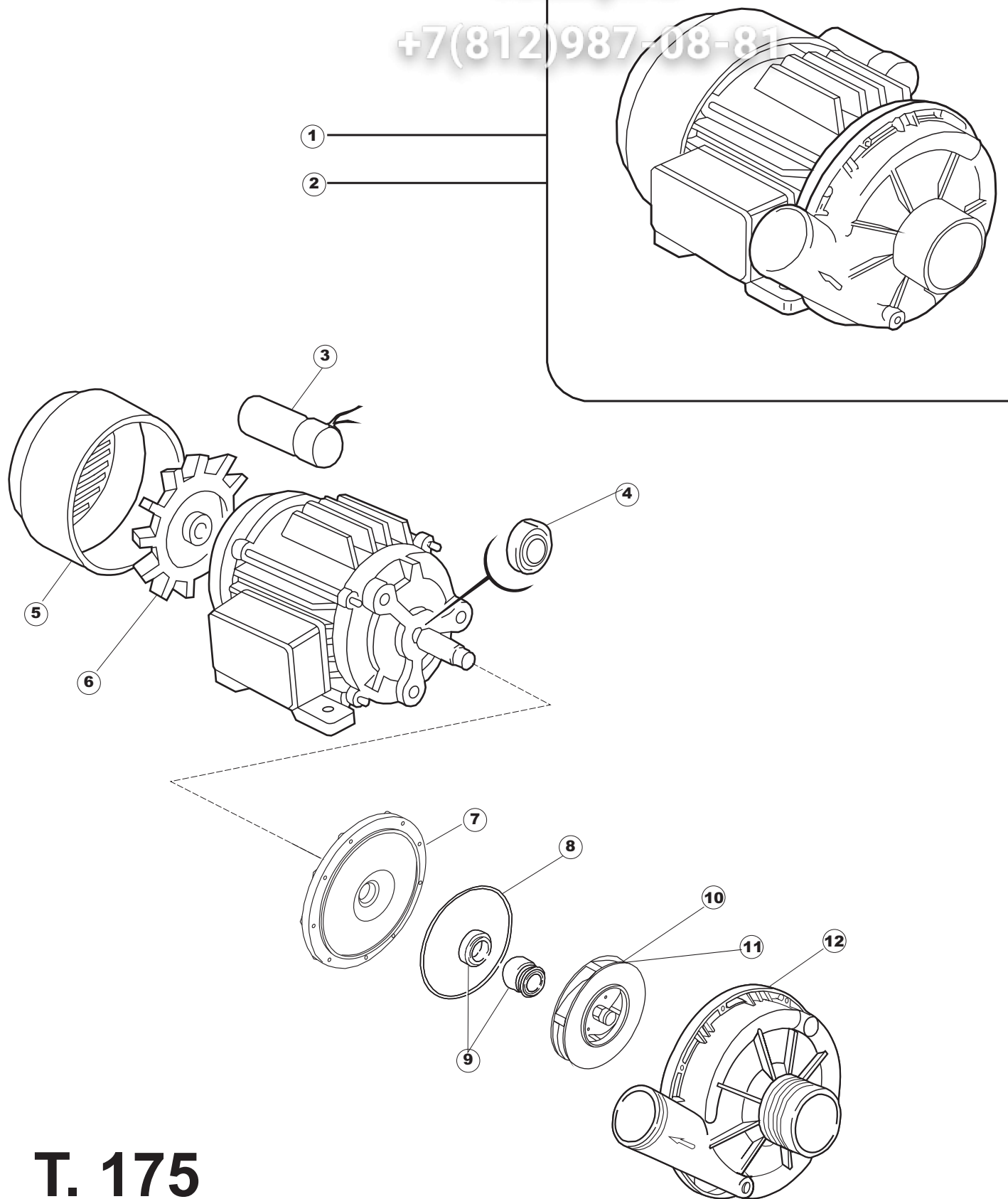


6 Zip Общепит

vsezip.ru

+7(812)987-08-81





T. 175

| Seite | Position | Code | Alter Code | Beschreibung | | |
|-------|----------|--------|------------|---|--|--|
| 1 | 1 | 004100 | REB004100 | DECKEL E.50 | | |
| 1 | 2 | 480125 | | PFROPFEN, DECKEL-LINKS E50/E51/E55 BLAU | | |
| 1 | 3 | 480126 | | PFROPFEN, DECKEL-RECHTS E50/E51/E55 BLAU | | |
| 1 | 4 | 025418 | | BEDIENUNGSTAFEL NIAGARA 51 S.T.CPL. | | |
| 1 | 5 | 480141 | | PFROPFEN, GRIFF LINKS E50/E51/E55 BLAU | | |
| 1 | 6 | 480142 | | PFROPFEN, GRIFF RECHTS E50/E51/E55 BLAU | | |
| 1 | 7 | 999108 | REB999108 | GRUPPO CALAMITA PORTA 453/463/500/503 | | |
| 1 | 8 | 325030 | REB325030 | PFLOCK, SCHLOSS INOX | | |
| 1 | 9 | 417041 | REB417041 | SCHRAUBENMUTTER, TÜRANSCHLAG | | |
| 1 | 10 | 307003 | REB307003 | ANSCHLAG, SCHRAUBENMUTTER FÜR STAB | | |
| 1 | 11 | 304021 | REB304021 | STANGE, TÜRSCHIENE 50/500/453/463/503 | | |
| 1 | 12 | 325036 | REB325036 | ZAPFEN, TÜRSCHARNIER 50 | | |
| 1 | 13 | 311019 | REB311019 | SCHARNIER, TÜR 45/46/50. | | |
| 1 | 14 | 425007 | REB425007 | PLATTE, WIEGENARTIGE BEFESTIGUNG - NEUTR. NYLON | | |
| 1 | 15 | 022095 | REB022095 | PLATTE, HINTEN CPL 50/503 | | |
| 1 | 16 | 480058 | REB480058 | GUMMISTÖPSEL D.17 | | |
| 1 | 17 | 437081 | REB437081 | DICHTUNG, TÜR - 50/503 | | |
| 1 | 18 | 033301 | REB033301 | WINKEL, FEST FÜR TÜRDICHTUNG 50/503 | | |
| 1 | 19 | 994012 | DWS30 | GRUPPO SERRATURA EB/F 22/44 | | |
| 1 | 20 | 015041 | REB015041 | FÜHRUNG, KORB(RECHTS/LINKS)503-50 | | |
| 1 | 21 | 480057 | REB480057 | GUMMISTÖPSEL D.14 | | |
| 1 | 22 | 459004 | REB459004 | ROHRDURCHGANG, GUMMI DI.34 | | |
| 1 | 23 | 459006 | REB459006 | KABELDURCHGANG, DI9/De16 22 | | |
| 1 | 24 | 030080 | REB030080 | SCHUTZ, UNTEN SOCKEL 50/503 | | |
| 1 | 25 | 461019 | REB461019 | VERSTELLFUSS D30 M8 | | |
| 1 | 26 | 029489 | | TUER KOMPLETE E.50 | | |
| 1 | 27 | 012174 | REB012174 | FRONTTEIL, AUSS.50 ANONYM./CD | | |
| 1 | 28 | 480057 | REB480057 | GUMMISTÖPSEL D.14 | | |
| 2 | 1 | 214104 | | SCHUTZ KUNSTOFF | | |
| 2 | 2 | 211009 | | KABEL, FLAT 10 VIE X DRUCKT.SOFT TOUCH GET 5 | | |
| 2 | 3 | 417119 | | SCHRAUBENMUTTER, M3 KUNST. WEISS | | |
| 2 | 4 | 419036 | | ABSTANDSSTÜCK, M3 | | |
| 2 | 5 | 227084 | | TASTENFELD | | |
| 2 | 6 | 025439 | | MASKE POLYESTERE NIAGARA 51 | | |
| 2 | 7 | 224003 | REB224003 | DRUCKSCHALTER - 55/35 | | |
| 2 | 8 | 224010 | | DRUCKSCHALTER, SICHERH. ABLASSPUMPE 110/75 | | |
| 2 | 9 | 035031 | REB035031 | Y-VERBINDUNGSST., DRUCKSCHALTER 760 | | |
| 2 | 10 | 423011 | REB423011 | SCHELLE, FEDER | | |
| 2 | 11 | 143013 | REB143013 | SCHLAUCH PVC GRUEN 4X7 | | |
| 2 | 12 | 220011 | REB220011 | * KLEMMENBRETT, 5-POLIG + ERDUNG FV.122 | | |
| 2 | 13 | 459005 | REB459005 | KABELKLIPPS, STEAB Art.5024 | | |
| 2 | 14 | 204034 | | KABEL, [CE] H07RNF 5x1.5x3,0mt | | |
| 2 | 15 | 211002 | REB211002 | KONTAKT, MAGNET. +KABEL 302N.Ocm25 | | |
| 2 | 16 | 230086 | REB230086 | WIDERSTAND, TANK 2700W/220V-3200W/240V 22/44/50 | | |
| 2 | 17 | 456015 | REB456015 | O-Ring 112 9.92X2.62 | | |
| 2 | 18 | 463007 | REB463007 | FITTING, WIDERSTANDSSCHUTZ | | |
| 2 | 19 | 999160 | | GRUPPO BULBO SONDA VASCA | | |
| 2 | 20 | 231014 | | SONDE, TEMP. GET-5 | | |
| 2 | 21 | 230111 | | WIDERS.B.4900W/230-400V | | |
| 2 | 22 | 456002 | REB456002 | O-Ring 48x6,2 | | |
| 2 | 23 | 69870 | | HEIZUNGSSCHUETZ DES WARMWASSERBEREITERS | | |
| 2 | 24 | 231014 | | SONDE, TEMP. GET-5 | | |

| | | | | | | |
|---|----|--------------|-----------|--|--|--|
| 2 | 25 | 225031 | | MIKROPROZESSOR GET.5 T.D. | | |
| 2 | 26 | 215023 | | KARTE GET-5/NIAGARA RIVER | | |
| 2 | 27 | CN7 | | SPITZE, FÜR STECKVERBINDER(CN5)(GET5) | | |
| 2 | 28 | CN5 | | STECKVERBINDER, 5 POL.(GET5) | | |
| 2 | 29 | CN6 | | SPITZE, FÜR STECKVERBINDER (CN2,CN3,CN4)(GET5) | | |
| 2 | 30 | CN2 | | STECKVERBINDER, 8 POL.(GET5) | | |
| 2 | 31 | CN3 | | STECKVERBINDER, 5 POL.(GET5) | | |
| 2 | 32 | CN4 | | STECKVERBINDER, 6 POL.(GET5) | | |
| 2 | 33 | 229029 | REB229029 | RELAIS FINDER 65.31 230/50 | | |
| 2 | 34 | H.775599-001 | | * SCHALTSCHÜTZ, 4-POLIG 240V-50/60HZ | | |
| 2 | 35 | 229040 | | RELAIS 62.83.8.230.0300 | | |
| 2 | 36 | 035046 | | BÜGEL, EL.KOMP. E.45 | | |
| 2 | 37 | 214090 | | EL.SCHUTZ, TRANSP.453 | | |
| 2 | 38 | 228004 | | SICHERUNG, 5X20 4A FAST | | |
| 2 | 39 | 210010 | | SICHERUNGSHALTER | | |
| 2 | 40 | 210011 | | PLAETTCHEN | | |
| 2 | 41 | 209021 | | DOSIERUNG PERISTALTIK | | |
| 2 | 42 | 468151 | DZR150NT | TANKEINLAUF CPL NM* | | |
| 2 | 43 | 143194 | REB143194 | SCHLAUCH 4X6 CRISTAL, DURCHS. | | |
| 2 | 44 | 143219 | REB143219 | MEMBRANSCHLAUCH SANTOPREN | | |
| 2 | 45 | 121075 | REB121075 | FUSSFILTER | | |
| 2 | 51 | 236039 | REB236039 | THERM.,KONT. /S-110ø+/-5ø | | |
| 3 | 1 | 441009 | REB441009 | EINSATZ, DICHT. D10 SAMM.S621- | | |
| 3 | 2 | 437014 | REB437014 | DICHTUNG, UNT.SAMMELLEITUNG S850 | | |
| 3 | 3 | 143174 | REB143174 | ROHR, UNT. WASSERSAMMELL.NACHSPÜL. 50 | | |
| 3 | 4 | 111999 | | SAMMELLEITUNG, UNTEN NEUTR. E50NM+PFROPFEN | | |
| 3 | 5 | 035064 | | BÜGEL, ABLASSPUMPE FÜR SAMMELLEITUNG 50NM | | |
| 3 | 6 | 127026 | REB127026 | MUFFE, ZUFUHR PUMPE 22/500 | | |
| 3 | 7 | 143240 | | LEITUNG, H-)OB.COND. | | |
| 3 | 8 | 437041 | REB437041 | DICHTUNG 3/4 GASVERSORG. | | |
| 3 | 9 | 929169 | RAT32 | TUBO DI CARICO DEL TERMOPLAS.VEDI 143270 | | |
| 3 | 10 | 240011 | REB240011 | ZUFLUSSVENTIL 1-WEG C.33290127 | | |
| 3 | 11 | 143004 | REB143004 | ROHR, DRUCKSCHALTER TP 10X17 (CASER/15NL C4N) | | |
| 3 | 13 | 236039 | REB236039 | THERM.,KONT. /S-110ø+/-5ø | | |
| 3 | 14 | 104060 | | BOILER | | |
| 3 | 15 | 143005 | SPG10 | SCHLAUCH TP 5X11 (CASER/15/NL C4N) | | |
| 3 | 16 | 209025 | | DOSIERPUMPE KLARSPUELER | | |
| 3 | 17 | 121017 | | FILTER, ABSAUG. KLARSPÜLER | | |
| 3 | 18 | H.775601 | | ROHR 4x6 CRISTAL BLAU PVC | | |
| 3 | 21 | 142053 | REB142053 | ÜBERLAUF, ABLASS 50/503 NM | | |
| 3 | 22 | 121078 | REB121078 | FILTER, ABLASSPUMPE 463/503 | | |
| 3 | 23 | 303019 | REB303019 | SPANNRING FÜR ABLASSPUMPENFILTER 503 | | |
| 3 | 24 | 136023 | REB136023 | ABFLUSS, GEBOGEN 50/503 | | |
| 3 | 25 | 437063 | CGG42 | DICHTUNG, ABFLUSS 50 | | |
| 3 | 26 | 417081 | CDP2 | SCHRAUBENMUTTER, KUNST. 1'- 1/4 | | |
| 3 | 27 | 127050 | REB127050 | MUFFE, STEIF ABS. ABL.P. 500/503 | | |
| 3 | 28 | 127044 | REB127044 | MUFFE, ABSAUG.ABLASSPUMPE 353/403 | | |
| 3 | 29 | 468152 | REB468152 | VERBINDUNGSST., ABLAUF CLEAN.3 | | |
| 3 | 30 | 127037 | REB127037 | MUFFE, ABLAUF CLEAN.3 | | |
| 3 | 31 | 423024 | REB423024 | SHELLE, KUNST. BEF.FÜR ABLASSROHRPUMPE | | |
| 3 | 32 | 144003 | REB144003 | ENTLÜFTUNGSVENTIL, ABLASSPUMPE | | |
| 3 | 33 | 143178 | REB143178 | ABLASSROHR - 50 | | |
| 3 | 34 | 130105 | REB130105 | ABLASSPUMPE (50/503/460/BD18) | | |
| 3 | 35 | 450002 | | MOTOR 220V/60HZ 32W (63AB914) | | |
| 4 | 1 | 143189 | REB143189 | RÖHRCHEN, ENTLÜFT. DVGW CLEAN.3 | | |

| | | | | | | |
|---|----|--------|-----------|--|--|--|
| 4 | 2 | 144011 | REB144011 | RÜCKSCHLAGVORR.(EB) | | |
| 4 | 3 | 143004 | REB143004 | ROHR, DRUCKSCHWELTER TP 10/17 (CASER/15NL C4M) | | |
| 4 | 4 | 984005 | REB984005 | GRUPPO CAMPANA PRESSOST.35/40 | | |
| 4 | 5 | 423011 | REB423011 | SCHELLE, FEDER | | |
| 4 | 6 | 468029 | REB468029 | VERBINDUNGSSTK. TANKEFÜHLAUF | | |
| 4 | 7 | 456020 | REB456020 | O-Ring 3050 R495 | | |
| 4 | 8 | 437019 | REB437019 | DICHTUNG, GLOCKE DRUCKSCH. V.M. | | |
| 4 | 9 | 107005 | REB107005 | GLOCKE, DRUCKSCHWELTER 35/40 | | |
| 4 | 10 | 142052 | REB142052 | ÜBERLAUF 50/503 NM | | |
| 4 | 11 | 136023 | REB136023 | ABFLUSS, GEBOGEN 50/503 | | |
| 4 | 12 | 437063 | CGG42 | DICHTUNG, ABFLUSS 50 | | |
| 4 | 13 | 417081 | CDP2 | SCHRAUBENMUTTER, KUNST. 1"- 1/4 | | |
| 4 | 14 | 143178 | REB143178 | ABLASSROHR - 50 | | |
| 4 | 15 | 121052 | DAF136U | FILTER, PUMPE - 22/44 | | |
| 4 | 16 | 478059 | | HALTER, FILTER GRAU+VERLANGERUNG | | |
| 4 | 17 | 437015 | REB437015 | DICHTUNG, PUMPENFILTER S651- | | |
| 4 | 18 | 127041 | REB127041 | MUFFE, ABSAUG. 463/503 | | |
| 4 | 19 | 437042 | REB437042 | DICHTUNG, D17D24S2 FASERSTOFF | | |
| 4 | 20 | 417071 | REB417071 | SCHRAUBENMUTTER, G3/4 FÜR ABLASSPUMPE | | |
| 4 | 21 | 468106 | REB468106 | VERBINDUNGSST., SCHLAUCHTÜLLE | | |
| 4 | 22 | 136016 | REB136016 | KNIE D10 FÜR ABLASSPUMPE | | |
| 4 | 23 | 206002 | REB206002 | KONDENSATOR - 10 mF | | |
| 4 | 24 | 130120 | REB130120 | HILFSPUMPE KL.3/GF60/500 | | |
| 4 | 25 | 130124 | | HILFSPUMPE RECHTS 60HZ HPO 40 LGB | | |
| 4 | 26 | 117004 | REB117004 | WASSERENTHARTER, 4 -SAULEN NEU | | |
| 4 | 27 | 240010 | REB240010 | VENTIL 2-WEGE + REDUZ. | | |
| 4 | 28 | 406998 | REB406998 | SALZBEHALTER NM | | |
| 4 | 29 | 480005 | REB480005 | PFROPFEN, SALZBEHALTER | | |
| 4 | 30 | 456052 | REB456052 | O-Ring 144 | | |
| 4 | 31 | 429011 | REB429011 | GEWINDERING, SALZBEH. | | |
| 4 | 32 | 437034 | REB437034 | DICHTUNG, D68D81S3 GUMMI | | |
| 4 | 33 | 143106 | REB143106 | ROHR, FÜR AUSTRITT/SALZSOLE S623 NM | | |
| 5 | 1 | 303029 | REB303029 | TROPFRING 46/50.. | | |
| 5 | 2 | 437064 | REB437064 | DICHTUNG, SAMMELLEITUNG, ZENTR.OB.50 | | |
| 5 | 3 | 143240 | | LEITUNG, H-)OB.COND. | | |
| 5 | 4 | 115131 | | WASCHLEITUNG AUSSEN CPL.E50-503 | | |
| 5 | 5 | 127036 | REB127036 | MUFFE, UNT. SPÜL.KOND. 50/f | | |
| 5 | 6 | 121102 | REB121102 | FILTER, INTEGR. 503 LINKS CPL. | | |
| 5 | 7 | 033382 | REB033382 | QUERARM, ZENTR. FILTER 503 | | |
| 5 | 8 | 121104 | REB121104 | FILTER, INTEGR. 503 RECHTS.CPL. | | |
| 5 | 9 | 419024 | REB419024 | ABSTANDSSTÜCK, TANKFILTER 22/44 | | |
| 5 | 10 | 408006 | REB408006 | BESCHLAG, FÜR TANKFILTER - GRAU | | |
| 6 | 1 | 325080 | | ACHSE PARALLEL WASCHARM OBEN E50/503 | | |
| 6 | 2 | 990113 | | GRUPPO LAV.RISC.BRACCI PARALLELI E50.. | | |
| 6 | 3 | 106153 | | SPUEL/NACHSPUELARM E50 (8DUESEN) PARALLEL | | |
| 6 | 4 | 106152 | | SPUEL/NACHSPUELARM E50 (7 DUESEN) PARALLEL | | |
| 6 | 5 | 456070 | | OR D.I.15.54X2.62 ART.20886 | | |
| 6 | 6 | 456071 | | OR D.I.24X2.5 ART.34916 | | |
| 6 | 7 | 437100 | | DICHTUNG | | |
| 6 | 8 | 454006 | | ZAPFEN | | |
| 6 | 9 | 129068 | | CORPETTO COMPLETO X PETTINI PAR.D44 | | |
| 6 | 10 | 325079 | | ACHSE SPUEL-/NACHSPUELARM E45/50/503 | | |
| 6 | 11 | 199058 | | DROSSELSCHEIBE, WASSER KUNST.E55 | | |
| 6 | 12 | 115075 | REB115075 | ZENTR.LEITUNG - UNTEN 50 (H=108) | | |
| 6 | 13 | 437014 | REB437014 | DICHTUNG, UNT.SAMMELLEITUNG S850 | | |
| 7 | 1 | 130109 | REB130109 | PUMPE HP 0.80 220/240-50 - 50/500 | | |

| | | | | | | |
|---|----|--------|-----------|--------------------------------|--|--|
| 7 | 2 | 130119 | | PUMPE B237 HP 0.80 220/60 50 | | |
| 7 | 3 | 314001 | REB314001 | LAGER 6201/2Z | | |
| 7 | 4 | 206004 | REB206004 | KONDENSATOR - 16 mF | | |
| 7 | 6 | 315017 | REB315017 | FLANSCH, MIT DECKEL B237 | | |
| 7 | 7 | 437049 | REB437049 | DICHTUNG, PUMPE 227 | | |
| 7 | 8 | 141002 | REB141002 | DICHTUNG, MECH., ROTIER. D 12 | | |
| 7 | 9 | 124038 | REB124038 | LAUFRAD, PUMPE B237 50HZ D 96 | | |
| 7 | 10 | 124039 | REB124039 | LAUFRAD, PUMPE B237 60HZ D 85 | | |
| 7 | 11 | 116021 | REB116021 | PUMPENGEHAUSE, B237 | | |
| 7 | 12 | 315022 | REB315022 | FLANSCH, PUMPE LGB T-173/174 | | |
| 7 | 13 | 456031 | REB456031 | O-Ring T30-1297 D.2 | | |
| 7 | 14 | 141007 | REB141007 | DICHTUNG, MECH.D.26x13x5,5 BR. | | |
| 7 | 15 | 124031 | RAG291 | LAUFRAD, ZU 50HZ D.104 T170 | | |
| 7 | 16 | 124053 | | LAUFRAD, ZU 60HZ | | |