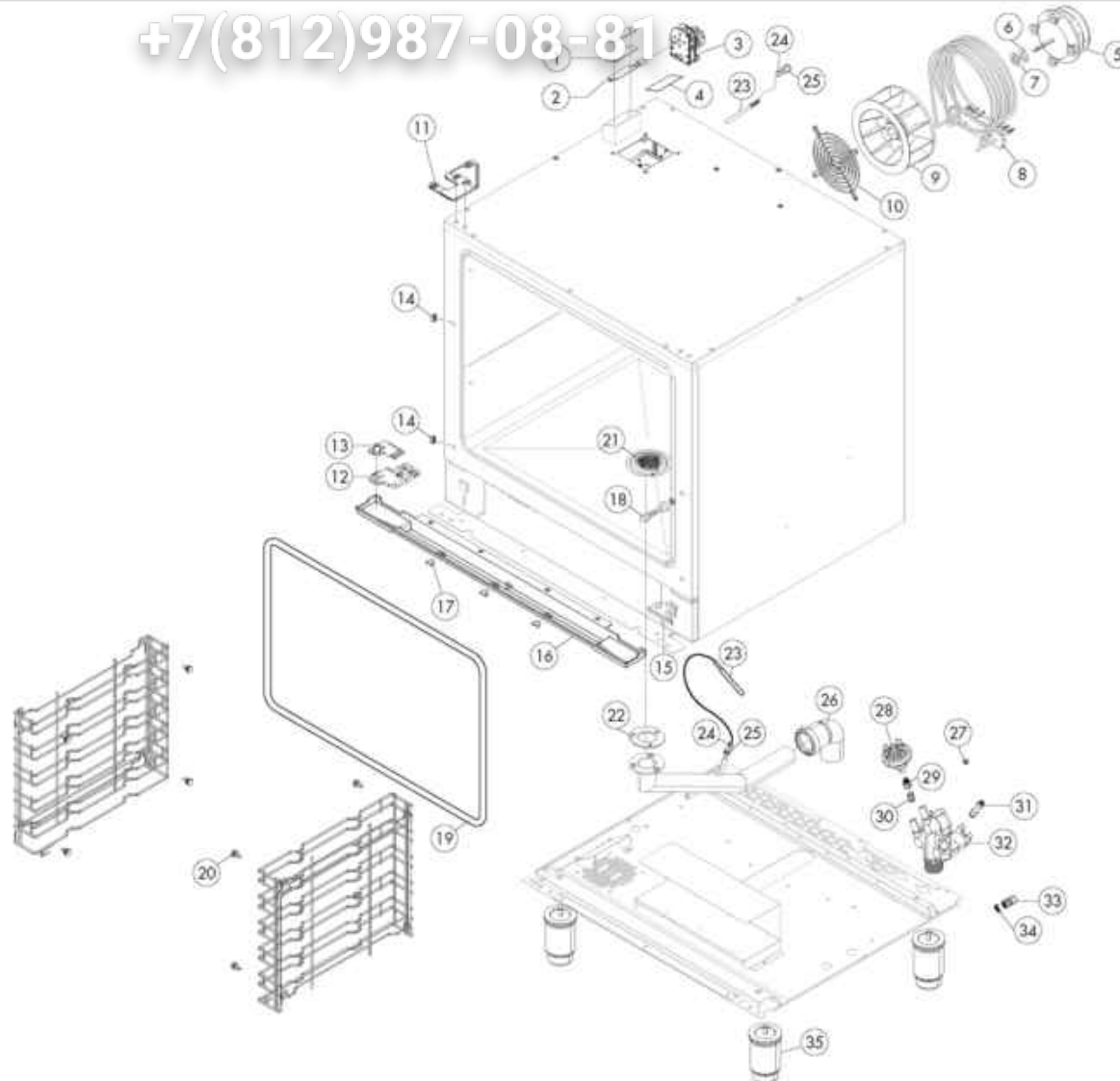


ATTENZIONE: PER TENSIONI SPECIALI, SPECIFICARE SEMPRE IL MODELLO DI FORNO ELETTRICO E IL NUMERO DI SERIE.
ATTENTION: FOR SPECIAL VOLTAGES, PLEASE ALWAYS SPECIFY THE OVEN MODEL AND THE SERIAL NUMBER.

ATTENTION: POUR TENSIONS SPÉCIALES, MERCI DE SPÉCIFIER TOUJOURS LE MODÈLE DU FOUR ET LE NUMÉRO DE SÉRIE.
ACHTUNG: BEI SONDERSPANNUNGEN, BITTE IMMER OFEN-MODELL UND SERIENNUMMER GEBEN.

ed.1215

+7(812)987-08-81



TAV. A

ICET101

| Pos. | Code | Codice precedente | Description | Notes | From: | To: |
|------|-------------|-------------------|---|-------|-------|-----|
| 0001 | LAR70050170 | | GASKET [C] VENTING PIPE 80x40 | | | |
| 0002 | LAR58007330 | | ROD [C] VENTING ICON SERIES 2015 | | | |
| 0003 | LAR65090270 | | FROGRAMMER [C] 6JS V230/50-60HZ | | | |
| 0004 | LAR70050200 | | GUARNIZIONE ESTERNA TUBO SFIATO 80X40 | | | |
| 0005 | LAR65041040 | | MOTOR [C] 1F.125Win-75Wout 2 VEL | | | |
| 0006 | LAR58005500 | | SEAT [C] | | | |
| 0007 | LA70020020 | LAR70020020 | GASKET [C] 8X22 | | | |
| 0009 | LA75400410 | LAR75400410 | FAN [C] D. 180X77 50HZ | | | |
| 0011 | LA58007250 | LAR58007250 | UPPER HINGE [C] PLAN ICON SERIE | | | |
| 0012 | LA58007260 | LAR58007260 | LOWER HINGE [C] PLAN ICON SERIE | | | |
| 0013 | LA58007280 | LAR58007280 | PIN [C] RIGHT HINGE ICON 2015 | | | |
| 0013 | LA58007290 | LAR58007290 | PIN [C] LEFT HINGE ICON 2015 | | | |
| 0014 | LA69130570 | LAR69130570 | CAP [C] D. 8,5-14,5 | | | |
| 0015 | LAR58007270 | | TAMPONAM.CERNIERA INF.SERIE ICON 2015 | | | |
| 0016 | LAR69180260 | | OVEN DRAIN CONTAINER [C] | | | |
| 0017 | LA69180310 | LAR69180310 | CAP [C] | | | |
| 0018 | LA69010260 | LAR69010260 | PRONG [C] | | | |
| 0018 | LAR69010270 | | PRONG [C] | | | |
| 0019 | LA70044440 | LAR70044440 | GASKET [C] DOOR REP 084/104 | | | |
| 0021 | LA10201700 | LAR10201700 | FILTER [C] D.76/44.5 M/106-11 | | | |
| 0022 | LA70030170 | LAR70010140 | GASKET [C] 76X40,3X3 | | | |
| 0023 | LAR65320220 | | PROBE [C] K 6X80 1,5ML | | | |
| 0024 | LA62070023 | LAR62070023 | BICONE [C] D. 6 | | | |
| 0025 | LA62060223 | LAR62060223 | NUT [C] D. 6 | | | |
| 0026 | LA62280028 | LAR62280028 | CURVE [C] D.40 D.40X | | | |
| 0027 | LA65110500 | LAR65110500 | REGULATOR [C] | | | |
| 0028 | LAR63070050 | | PRESSURE SWITCH [C] 1/8 0,5-0,35 BAR | | | |
| 0029 | LA62030113 | LAR62030113 | COUPLING [C] FF 1/8-1/4 BRASS | | | |
| 0030 | LAR62090508 | | CONNECTOR [C] | | | |
| 0032 | LAR65110240 | | SOLENOID VALVE [C] 220V 50HZ 2P+1D 3 WAYS | | | |
| 0033 | LAR65240200 | | FAIRLEAD [C] V-TEC 21 | | | |

| Pos. | Code | Codice precedente | Descrizione | Notes | From: | To: |
|------|-------------|-------------------|---------------------|-------|-------|-----|
| 0034 | LAR65240210 | | CONTRODADO 116/21 N | | | |
| 0035 | LA69070170 | LAR69070170 | FOOT [C] 13/4 A304 | | | |

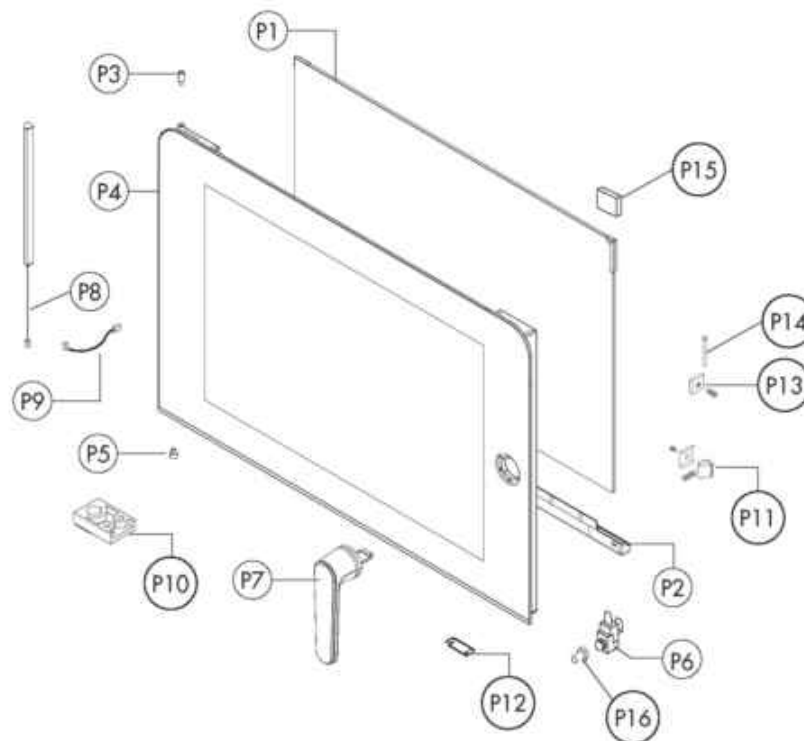
vsezip.ru
+7(812)987-08-81

ATTENZIONE: PER TENSIONI SPECIALI, SPECIFICARE SEMPRE IL MODELLO DI FORNO ELETTRICO E IL NUMERO DI SERIE.
ATTENTION: FOR SPECIAL VOLTAGES, PLEASE ALWAYS SPECIFY THE OVEN MODEL AND THE SERIAL NUMBER.

ATTENTION: POUR TENSIONS SPÉCIALES, MERCI DE SPÉCIFIER TOUJOURS LE MODÈLE DU FOUR ET LE NUMÉRO DE SÉRIE.
ACHTUNG: BEI SONDERSPANNUNGEN, BITTE IMMER OFEN-MODELL UND SERIENNUMMER GEBEN.

ed.1215

+7(812)987-08-81



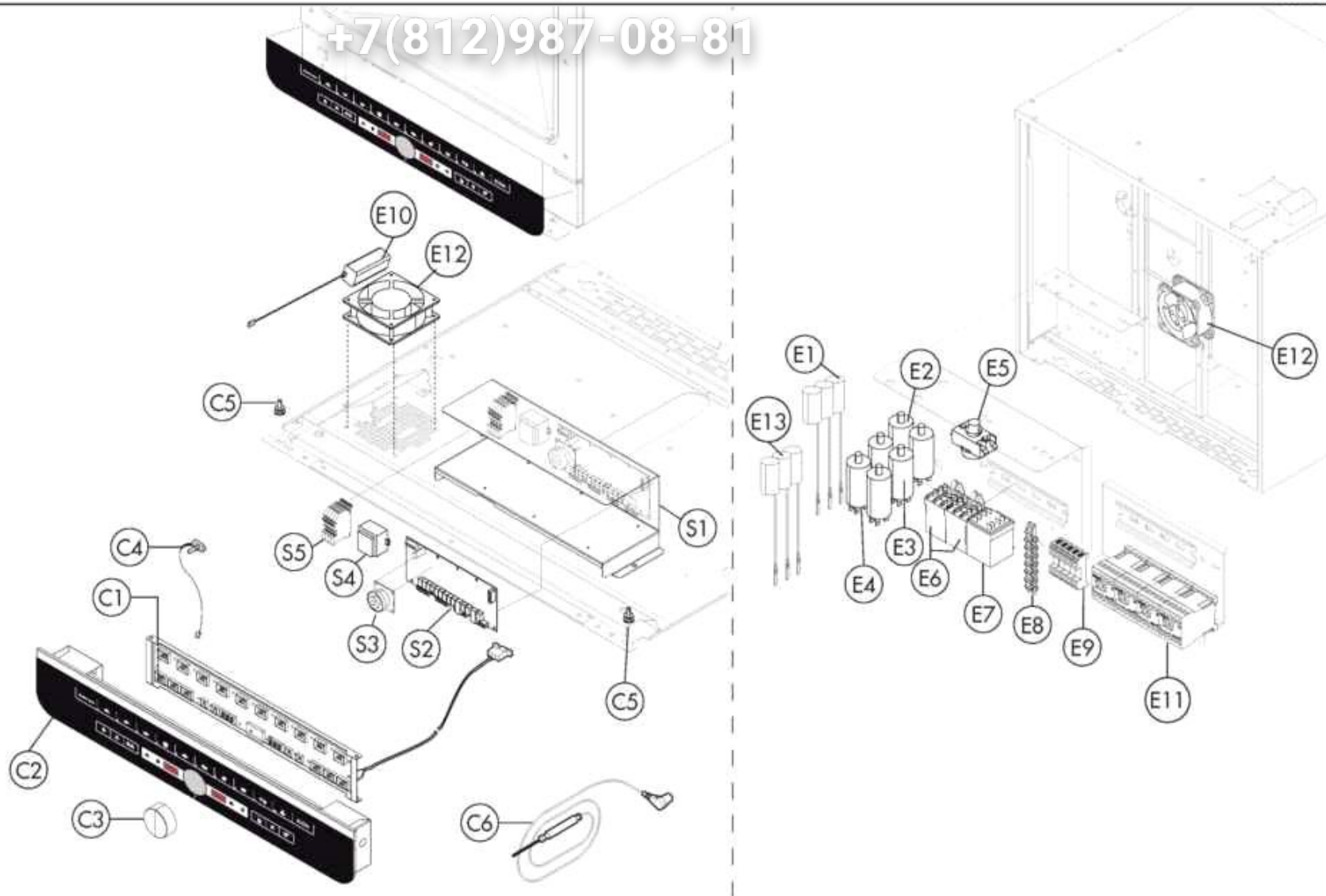
| Pos. | Code | Codice precedente | Description | Notes | From: | To: |
|------|-------------|-------------------|--|-------|-------|-----|
| OOP1 | LAR71201950 | | GLASS PLATE [C] REP_084 700X855X6 | | | |
| OOP2 | LA69180270 | LAR69180270 | RIGHT DOOR CONTAINER [C] | | | |
| OOP2 | LA69180280 | LAR69180280 | LEFT DOOR CONTAINER [C] | | | |
| OOP3 | LAR58007310 | | FERMO SUPERIORE PORTA SERIE ICON 2015 FERMO SUPERIORE PORTA SERIE ICON 2015 | | | |
| OOP4 | LAR17107770 | | DOOR [C] 101 | | | |
| OOP4 | LAR17108350 | | DOOR [C] 101 | | | |
| OOP4 | LAR17108360 | | DOOR [C] ICON 101 | | | |
| OOP4 | LAR17108490 | | PORTA CONTRARIA COMPLETA LAINOX ICON 101 | | | |
| OOP4 | LAR17108520 | | DOOR [C] OPPOSITE 101 | | | |
| OOP4 | LAR17108550 | | PORTA CONTRARIA COMPLETA NEUTRA ICON 101 | | | |
| OOP4 | LAR17108700 | | PORTA COMPLETA ALPHATEC LN ICON 101 | | | |
| OOP4 | LAR17108730 | | PORTA CONTR.COMPL.ALPHATEC LN ICON 101 PORTA CONTR.COMPL.ALPHATEC LN ICON 101 | | | |
| OOP5 | LA58007320 | LAR58007320 | DOOR LOWER CATCH [C] ICON 2015 | | | |
| OOP6 | LAR65260540 | | MICROSWITCH [C] | | | |
| OOP7 | LA69010900 | LAR69010900 | HANDLE [C] | | | |
| OOP7 | LA69010930 | LAR69010930 | HANDLE [C] | | | |
| OOP8 | LA65270580 | LAR65270580 | LED BULB [C] 45Å° L=710MM | | | |
| OOP9 | LA66605970 | LAR66605970 | CABLE [C] EXTENSION L100 | | | |
| OP10 | LA58007300 | LAR58007300 | SUPPORT [C] | | | |
| OP11 | LA58001860 | LAR58001860 | PIN [C] | | | |
| OP12 | LA61620132 | LAR61620132 | SPRING [C] | | | |
| OP13 | LA58001760 | LAR58001760 | HINGE [C] GLASS SR2000 | | | |
| OP14 | LA58001770 | LAR58001770 | PIN [C] | | | |
| OP15 | LAR70050180 | | SPACER [C] GLASS 15x8 M4x12 A2 | | | |

ATTENZIONE: PER TENSIONI SPECIALI, SPECIFICARE SEMPRE IL MODELLO DI FORNO ELETTRICO E IL NUMERO DI SERIE.
ATTENTION: FOR SPECIAL VOLTAGES, PLEASE ALWAYS SPECIFY THE OVEN MODEL AND THE SERIAL NUMBER.

ATTENTION: POUR TENSIONS SPÉCIALES, MERCI DE SPÉCIFIER TOUJOURS LE MODÈLE DU FOUR ET LE NUMÉRO DE SÉRIE.
ACHTUNG: BEI SONDRSPANNUNGEN, BITTE IMMER OFEN-MODELL UND SERIENNUMMER GEBEN.

ed.1215

+7(812)987-08-81



TAV. C

ICET101

| Pos. | Code | Codice precedente | Description | Notes | From: | To: |
|------|----------------|-------------------|---|-------|-------|-----|
| 00C1 | LA65302660 | LAR65302660 | KEYBOARD [C] TOUCH ICON 2015 + CABLE | | | |
| 00C2 | LAR17410690T1 | | FRONT PANEL [C] T051-071 -101 | | | |
| 00C2 | LAR17410690T1A | | FRONT PANEL [C] T051-071 -101 | | | |
| 00C3 | LA69030341 | LAR69030340 | KNOB [C] ICON 2015 | | | |
| 00C4 | LA65302720 | LAR65302720 | ENCODER [C] ICON WITH CABLE | | | |
| 00C5 | LA69010990 | LAR69010990 | KNOB [C] M5x10 | | | |
| 00C6 | LA65321430 | LAR65321430 | PROBE [C] K4P ISC04 (6PIN,PC PLAS.) | | | |
| 00E1 | LA65280260 | LAR65280260 | FILTER [C] | | | |
| 00E2 | LA65190080 | LAR65190080 | CONDENSER [C] 5ÅµF V425-B | | | |
| 00E4 | LA65190240 | | CONDENSER [C] 10ÅµF C/OUT 4 FASTON 6,35 | | | |
| 00E5 | LA65070451 | | TERMOST.SICUR.UNIPOLARE 335Å°C POSITIVO | | | |
| 00E6 | LA65170180 | LAR65170180 | RELAY [C] | | | |
| 00E7 | LA65170170 | LAR65170170 | RELAY [C] | | | |
| 00E8 | LA65220360 | LAR65220360 | TERMINAL BOARD [C] 7 PINS | | | |
| 00S1 | LAR17108090 | | BOARD [C] ICON TOUCH | | | |
| 00S2 | LA65302670 | LAR65302670 | BOARD [C] TOUCH ICON 2015 | | | |
| 00S3 | LA65302680 | LAR65302680 | BOARD [C] BUZZER ICON 2015 | | | |
| 00S4 | LA65180420 | LAR65180420 | TRANSFORMER [C] 20VA | | | |
| 00S5 | LA65210020 | LAR65210020 | FUSE CARRIER [C] 5X20 | | | |
| 0E10 | LA65187220 | LAR65187220 | BALLAST [C] MEAN WELL APV-12-24 | | | |
| 0E11 | LA65140700 | LAR65140700 | SWITCH [C] M9-01 4KW-20A | | | |
| 0E12 | LA65060050 | LAR65060050 | FAN [R] D. 120 | | | |

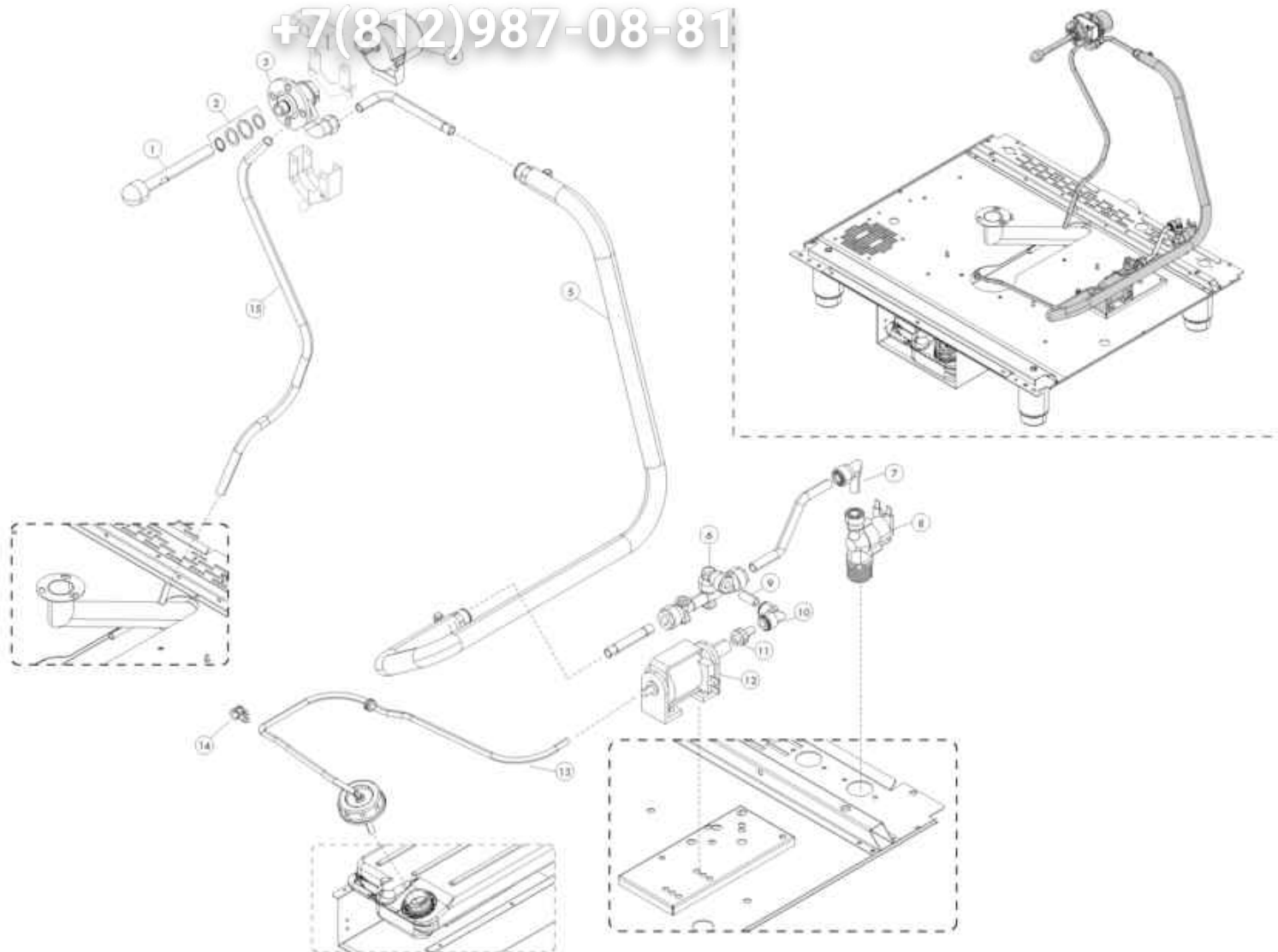
ysezip.ru

ATTENZIONE: PER TENSIONI SPECIALI, SPECIFICARE SEMPRE IL MODELLO DI FORNO ELETTRICO E IL NUMERO DI SERIE.
ATTENTION: FOR SPECIAL VOLTAGES, PLEASE ALWAYS SPECIFY THE OVEN MODEL AND THE SERIAL NUMBER.

ATTENTION: POUR TENSIONS SPÉCIALES, MERCI DE SPÉCIFIER TOUJOURS LE MODÈLE DU FOUR ET LE NUMÉRO DE SÉRIE.
ACHTUNG: BEI SONDERSPANNUNGEN, BITTE IMMER OFEN-MODELL UND SERIENNUMMER GEBEN.

ed.1215

+7(812)987-08-81



TAV. D

ICET101

| Pos. | Code | Codice precedente | Description | Notes | From: | To: |
|------|-------------|-------------------|--|-------|-------|-----|
| 0001 | LAR58007050 | | WASHING HEAD [C] L=110 (M_051) | | | |
| 0002 | LAR70045120 | | GASKET [C] | | | |
| 0003 | LAR58007020 | | FLANGE [C] | | | |
| 0004 | LA65090260 | LAR65090260 | GEARMOTOR [C] | | | |
| 0005 | LAR14171770 | | PIPE [C] | | | |
| 0006 | LA62090888 | LAR62090888 | MANIFOLD [C] 3WAYS-2D.10+1D.8+3 NO RETURN CONTROL | | | |
| 0007 | LA62090528 | LAR62090528 | CONNECTOR [C] 10X10 | | | |
| 0008 | LAR65110320 | | SOLENOID VALVE [C] 230V 50/60HZ 1 WAY OUT J.G. D.10 | | | |
| 0009 | LA80150020 | LAR80150020 | PIPE [C] | | | |
| 0010 | LA62090498 | LAR62090498 | CONNECTOR [C] D.8 | | | |
| 0011 | LA62090608 | LAR62090608 | END SIDE PIPE [C] 8x1/8 | | | |
| 0012 | LAR65110600 | | PUMP [C] | | | |
| 0013 | LAR14171790 | | PIPE [C] | | | |
| 0014 | LAR61630131 | | FASC.STRINGITUBO ZINC+GOMMA SERIE PK D.8 | | | |
| 0015 | LA80120060 | LAR80120060 | PIPE [C] | | | |

vsezip.ru
+7(812)987-08-81