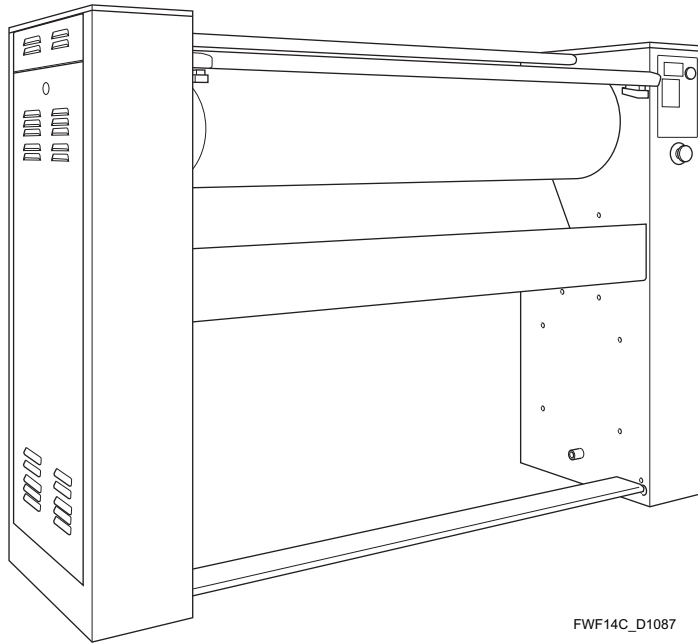


Зип Общепит

# Flatwork Finisher

+7(812)987-08-81

Refer to Page 3 for Model Numbers



FWF14C\_D1087

Parts

**Зип Общепит**

**vsezip.ru**

**+7(812)987-08-81**

# Table of Contents

Title	Page
Parts Ordering Information.....	2
Nameplate Location.....	2
Model Identification.....	3
Tray and Roller Assembly.....	4
Frame Assembly.....	6
Exhaust Assembly.....	8
Parts Index.....	11

© Copyright 2013, Alliance Laundry Systems LLC

All rights reserved. No part of the contents of this book may be reproduced or transmitted in any form or by any means without the expressed written consent of the publisher.

## Parts Ordering Information

If literature or replacement parts are required, contact the source from whom the machine was purchased or contact Alliance Laundry Systems at (920) 748-3950 for the name and address of the nearest authorized parts distributor.

For technical assistance, call either of the numbers listed below:

(920) 748-3121 Ripon, Wisconsin

+32 56 41 20 54 Wevelgem, Belgium

## Nameplate Location

When calling or writing about your product, be sure to mention model and serial numbers. Model and serial numbers are located on nameplate(s) as shown.

## Model Identification

Information in this manual is applicable to these flatwork finisher models:

RI1600/30  
RI1600/30AV  
RI1600/30AVL  
RI2001/30AV

Вит Общепит

vsezip.ru

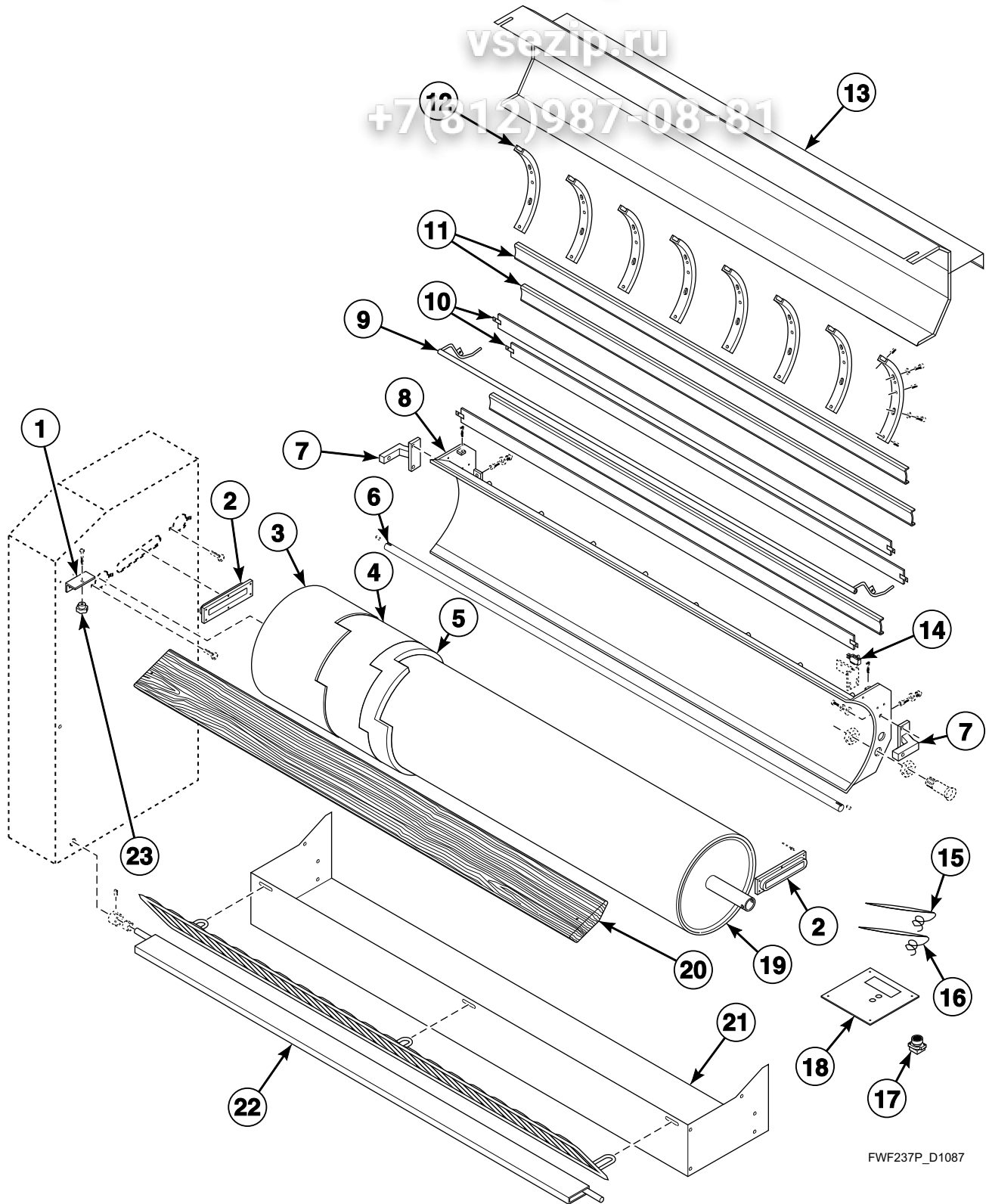
+7(812)987-08-81

# Tray and Roller Assembly

Элп Общенит

vsezip.ru

+7(812)987-08-81



FWF237P\_D1087

# Tray and Roller Assembly

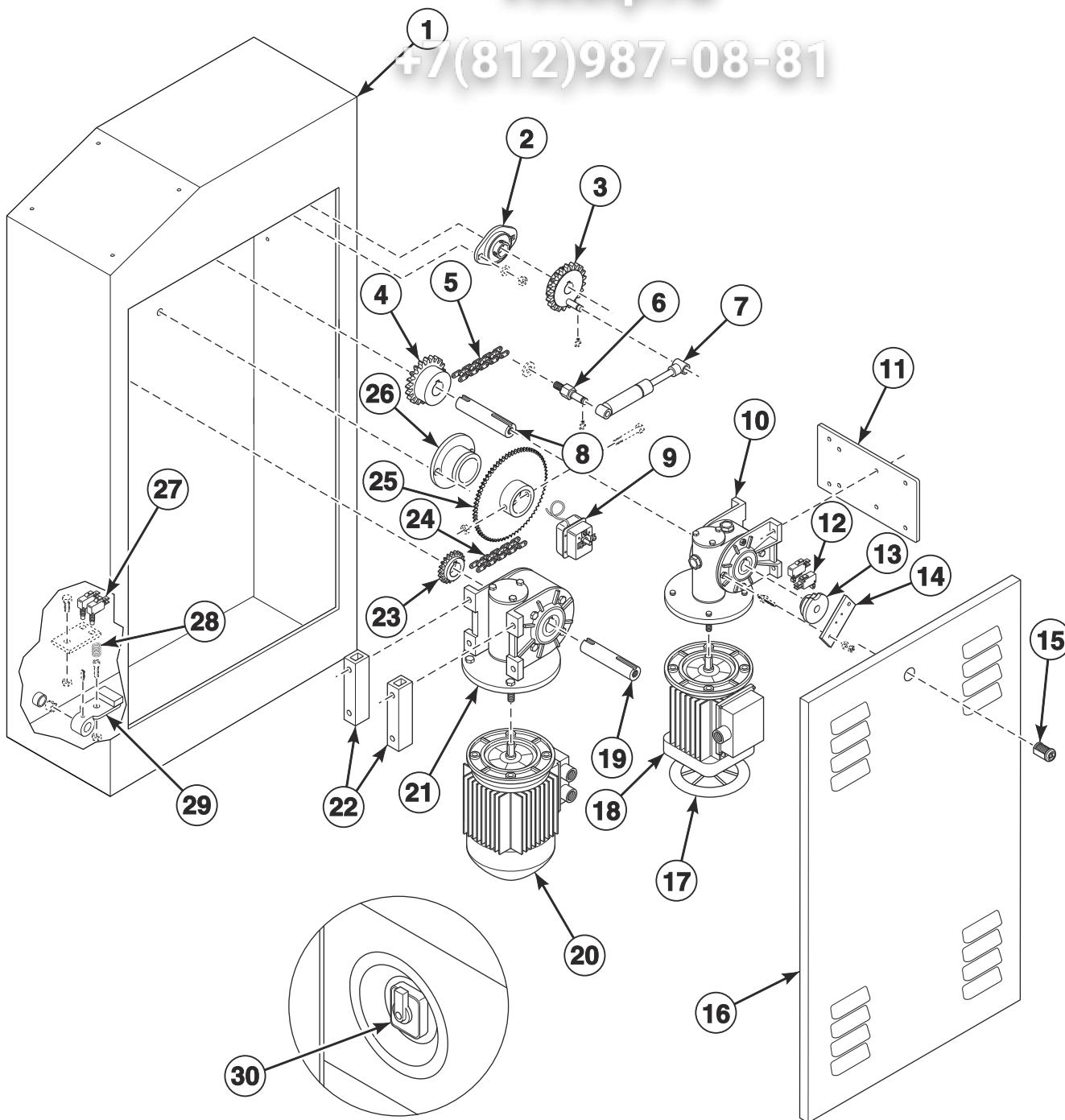
REF	PART NO.	DESCRIPTION	COMMENTS
1	GM011016	Table Support	
2	GM015031	Slide Guide	
3	GMTN1600	Nomex Ironing Cloth	Models RI1600/30 and RI1600/30AV
	GMTN2000	Nomex Ironing Cloth	Model RI2001/30AV
	GMMN1600	Nomex Ironing Cloth	Model RI1600/30AVL
4	GMM1600	Flannel	Models RI1600/30, RI1600/30AV and RI1600/30AVL
	GMM2000	Flannel	Model RI2001/30AV
5	GMLACC	Steelwool	Models RI1600/30, RI1600/30AV and RI2001/30AV
	GMTENAX1600	Lamellar Padding	Model RI1600/30AVL
6	GM020009	Plate Shaft	Models RI1600/30, RI1600/30AV and RI1600/30AVL
	GM022009	Plate Shaft	Model RI2001/30AV
7	GM019028	Ironing Plate Support	
8	GM020006	Ironing Plate	Models RI1600/30 and RI1600/30AV
	GM022006	Ironing Plate	Model RI2001/30AV
	GM020006CS	Ironing Plate	Model RI1600/30AVL
9	GM020005	Finger Guard	Models RI1600/30, RI1600/30AV and RI1600/30AVL
	GM022005	Finger Guard	Model RI2001/30AV
10	GM047A006	Heating Element	Models RI1600/30, RI1600/30AV and RI1600/30AVL
	GM047A013	Heating Element	Model RI2001/30AV
11	GM020003	Clamp Profile	Models RI1600/30, RI1600/30AV and RI1600/30AVL
	GM022003	Clamp Profile	Model RI2001/30AV
12	GM019011	Clamp	
13	GM020002	Rear Cover	Models RI1600/30, RI1600/30AV and RI1600/30AVL
	GM022002	Rear Cover	Model RI2001/30AV
14	GMCRO831537AX29	Finger Guard Microswitch	
15	GM5060077	Sensor	
16	GM5060076	Sensor	
17	GM480000008	Emergency Stop Button	
18	GM408000001	Keyboard	Model RI1600/30
	GM408000002	Keyboard	Models RI1600/30AV, RI1600/30AVL and RI2001/30AV
19	GM020007	Roller	Models RI1600/30 and RI1600/30AV
	GM022007	Roller	Model RI2001/30AV
	GM020012	Roller	Model RI1600/30AVL
20	GM020008	Wooden Table	Models RI1600/30, RI1600/30AV and RI1600/30AVL
	GM022008	Wooden Table	Model RI2001/30AV
21	GM590100008	Slide	Models RI1600/30, RI1600/30AV and RI1600/30AVL
	GM590100009	Slide	Model RI2001/30AV
22	GM020004ALL	Pedal	Models RI1600/30, RI1600/30AV and RI1600/30AVL
	GM022004ALL	Pedal	Model RI2001/30AV
23	GMVC19230B-MS	Handle	

# Frame Assembly

Вип общепит

vsezip.ru

+7(812)987-08-81



FWF233P\_D1087



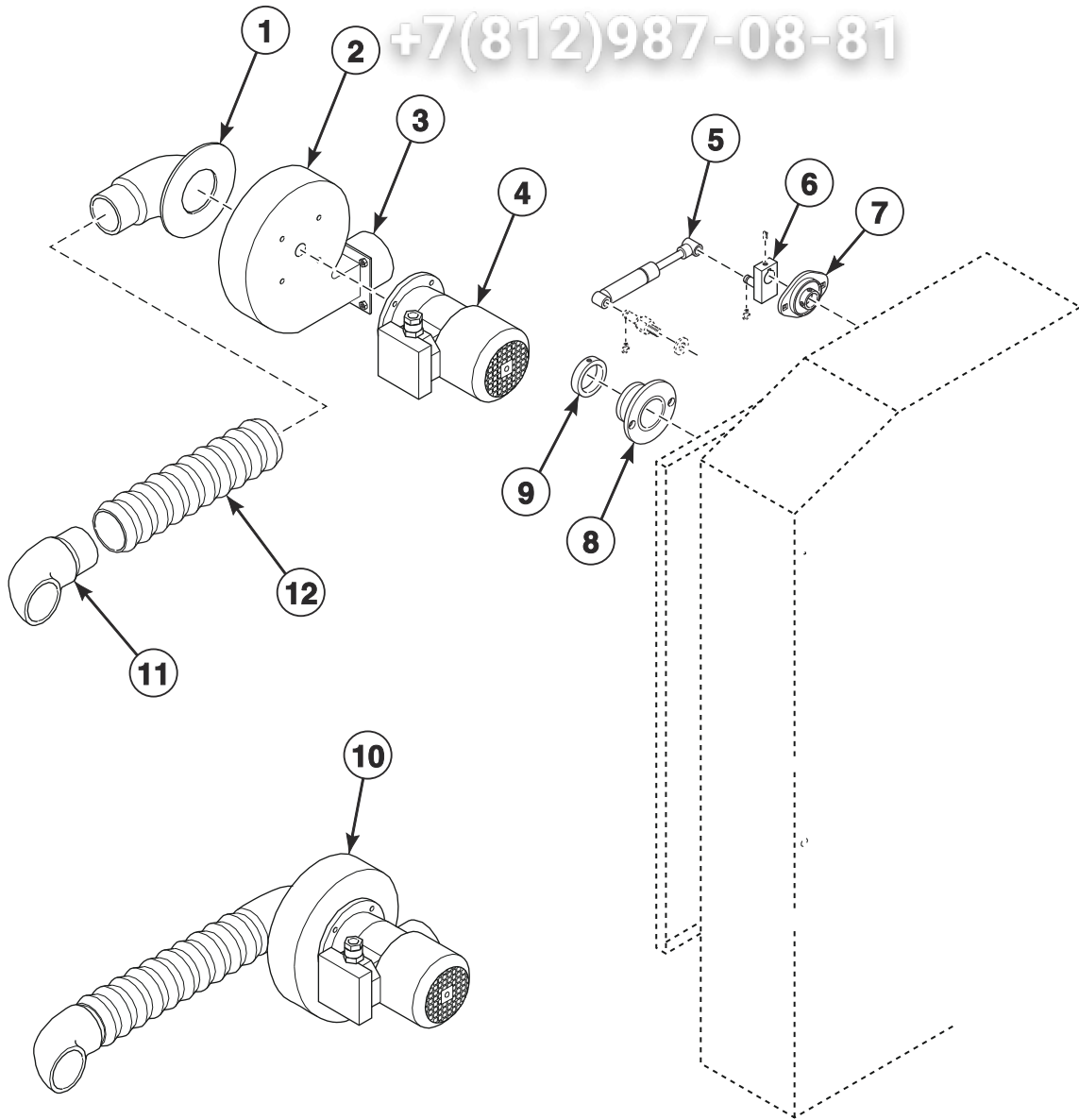
# Frame Assembly

REF	PART NO.	DESCRIPTION	COMMENTS
	GM580000024	Pre-Programmed Logic Board	Models through 4/19/09
	GM508000005	Pre-Programmed Logic Board	Models starting 4/20/09
	GM580000022	Relay Printboard	Models through 4/19/09
	GM508000006	Relay Printboard	Models starting 4/20/09
	GMATV11PU12M2E	Inverter	
	GM019043	Linen Pipe Support	Model RI1600/30AVL
	GM020019	Linen Pipe	Model RI1600/30AVL
	GM027017	Linen Fork	Model RI1600/30AVL
1	GM490100002	Side Plate	Right
	GM019002	Side Plate	Left
2	GM011039	Support	
3	GMZ26PF	Pinion	
4	GMZ26F	Pinion	
5	GM019051	Ironing Plate Chain	
6	GM019029	Pin	
7	GM221017065	Gas Spring	
8	GM01903097	Shaft	
9	GM710V-1841	Safety Thermostat	
10	GMRMI50SPAM14160	Reduction Gear	
11	GM01903197	Anchor Plate	
12	GMCRO831613ER24	Ironing Plate Microswitch	
13	GM019040	Plate	
14	GM019045	Anchor Plate	
15	GM33429	Lock	
	GM334291	Key	
16	GM019006	Door	
17	GMVD100FP	Emergency Handwheel	
18	GM5B54PTAS	Ironing Plate Motor	
19	GM019030	Reduction Gear Shaft	
20	GM5B54PT	Roller Motor	Model RI1600/30
	GM75B54PTVF	Roller Motor	Models RI1600/30AV, RI1600/30AVL and RI2001/30AV
	GM019072	Motor Fan	Models RI1600/30AV, RI1600/30AVL and RI2001/30AV
21	GMRMI501PAM14160	Reduction Gear	
22	GM019058	Roller Reduction Gear Thickness	
23	GMZ17F	Pinion	
24	GM019050	Roller Chain	
25	GMZ52F	Rim	
26	GM019019	Roller Support	
27	GMCRO831318	Pedal Microswitch	
28	GM019015	Pedal Spring	
29	GM019013	Lever	
30	GM580000004	Main Switch	

# Exhaust Assembly

vsezip.ru

+7(812)987-08-81



FWF234P\_D1087

## Exhaust Assembly

REF	PART NO.	DESCRIPTION	COMMENTS
1	GM019025	Fan Manifold	Models RI1600/30AV, RI1600/30AVL and RI2001/30AV
2	GM019056M	Centrifugal Fan	Models RI1600/30AV, RI1600/30AVL and RI2001/30AV
3	GM019055C	Union	Models RI1600/30AV and RI2001/30AV
	GM027098	Union	Model RI1600/30AVL
4	GM025B52PM	Exhaust System Motor	Models RI1600/30AV, RI1600/30AVL and RI2001/30AV
5	GM221017065	Gas Spring	
6	GM019027	Ironing Plate Cam	Left
7	GM011039	Support	
8	GM019019	Roller Support	
9	GM019020	Lock Ring	Left
10	GM019055	Exhaust System	Models RI1600/30AV and RI2001/30AV
	GM027055	Exhaust System	Model RI1600/30AVL
11	GM019026	Roller Manifold	Models RI1600/30AV, RI1600/30AVL and RI2001/30AV
12	GM019034	Pipe	Models RI1600/30AV, RI1600/30AVL and RI2001/30AV

Notes  
Зип Общепит

vsezip.ru

+7(812)987-08-81

# Parts Index

vsezip.ru

+7(812)937-08-81

## A

Anchor Plate	
GM01903197 .....	7
GM019045 .....	7

Handle	
GMVC19230B-MS .....	5
Heating Element	
GM047A006 .....	5
GM047A013 .....	5

## C

Centrifugal Fan	
GM019056M .....	9
Clamp	
GM019011 .....	5
Clamp Profile	
GM020003 .....	5
GM022003 .....	5

## I

Inverter	
GMATV11PU12M2E .....	7
Ironing Plate	
GM020006 .....	5
GM020006CS .....	5
GM022006 .....	5
Ironing Plate Cam	
GM019027 .....	9
Ironing Plate Chain	
GM019051 .....	7
Ironing Plate Microswitch	
GMCRO831613ER24 .....	7
Ironing Plate Motor	
GM5B54PTAS .....	7
Ironing Plate Support	
GM019028 .....	5

## D

Door	
GM019006 .....	7

## E

Emergency Handwheel	
GMVD100FP .....	7
Emergency Stop Button	
GM480000008 .....	5
Exhaust System	
GM019055 .....	9
GM027055 .....	9
Exhaust System Motor	
GM025B52PM .....	9

## K

Key	
GM334291 .....	7
Keyboard	
GM408000001 .....	5
GM408000002 .....	5

## F

Fan Manifold	
GM019025 .....	9
Finger Guard	
GM020005 .....	5
GM022005 .....	5
Finger Guard Microswitch	
GMCRO831537AX29 .....	5
Flannel	
GMM1600 .....	5
GMM2000 .....	5

## L

Lamellar Padding	
GMTENAX1600 .....	5
Lever	
GM019013 .....	7
Linen Fork	
GM027017 .....	7
Linen Pipe	
GM020019 .....	7
Linen Pipe Support	
GM019043 .....	7
Lock	
GM33429 .....	7
Lock Ring	
GM019020 .....	9

## G

Gas Spring	
GM221017065 .....	7, 9

N/A items do not appear in index.

<hr/>	
<b>M</b>	Roller Chain GM019050.....7
Main Switch	Roller Manifold GM019026.....9
GM580000004.....7	Roller Motor GM5B54PT.....7
Motor Fan	GM75B54PTVF.....7
GM019072.....7	Roller Reduction Gear Thickness GM019058.....7
<hr/>	
<b>N</b>	Roller Support GM019019.....7, 9
Nomex Ironing Cloth	
GMMN1600.....5	
GMTN1600.....5	
GMTN2000.....5	
<hr/>	
<b>P</b>	
Pedal	
GM020004ALL.....5	
GM022004ALL.....5	
Pedal Microswitch	
GMCRO831318.....7	
Pedal Spring	
GM019015.....7	
Pin	
GM019029.....7	
Pinion	
GMZ17F.....7	
GMZ26F.....7	
GMZ26PF.....7	
Pipe	
GM019034.....9	
Plate	
GM019040.....7	
Plate Shaft	
GM020009.....5	
GM022009.....5	
Pre-Programmed Logic Board	
GM508000005.....7	
GM580000024.....7	
<hr/>	
<b>R</b>	
Rear Cover	
GM020002.....5	
GM022002.....5	
Reduction Gear	
GMRMI50SPAM14160.....7	
GMRMI501PAM14160.....7	
Reduction Gear Shaft	
GM019030.....7	
Relay Printboard	
GM508000006.....7	
GM580000022.....7	
Rim	
GMZ52F.....7	
Roller	
GM020007.....5	
GM020012.....5	
GM022007.....5	
<hr/>	
	<b>S</b>
	Safety Thermostat GM710V-1841.....7
	Sensor
	GM5060076.....5
	GM5060077.....5
	Shaft
	GM01903097.....7
	Side Plate
	GM019002.....7
	GM490100002.....7
	Slide
	GM590100008.....5
	GM590100009.....5
	Slide Guide
	GM015031.....5
	Steelwool
	GMLACC.....5
	Support
	GM011039.....7, 9
<hr/>	
	<b>T</b>
	Table Support
	GM011016.....5
<hr/>	
	<b>U</b>
	Union
	GM019055C.....9
	GM027098.....9
<hr/>	
	<b>W</b>
	Wooden Table
	GM020008.....5
	GM022008.....5
<hr/>	

N/A items do not appear in index.