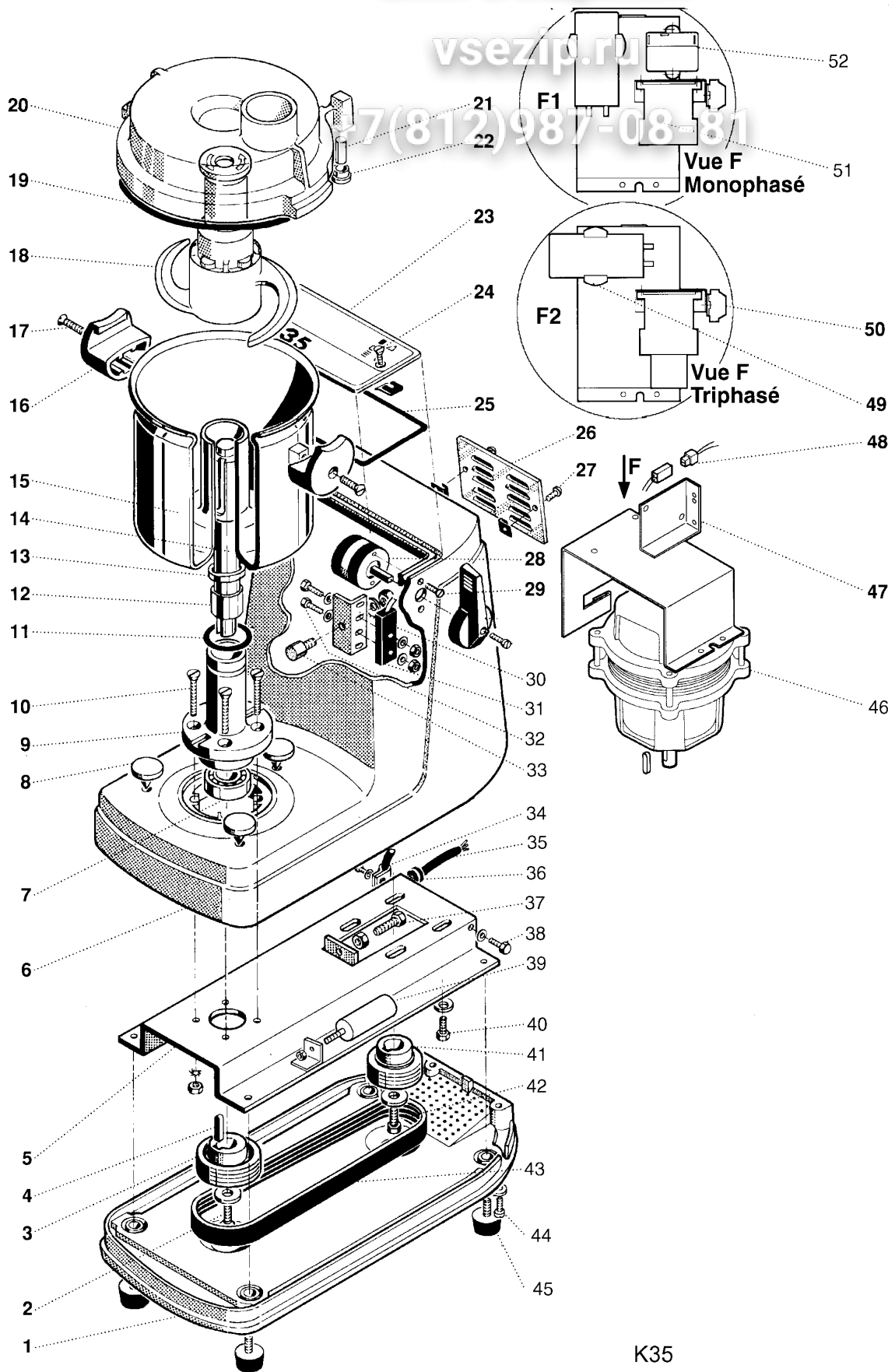


Зип Общепит

vsezip.ru

7(812)987-08-81



From ser. nr.: 9801

Page: 1 Ed. 99-09

Doc. Nr.: **1-71211**

Pos.	Spare Part	Alias Code	Repl. by	S	Info	Kit	Techn. Bulletin	Description	Notes
Model	All								
Table	1-71211		Page	1		Main view			
0001	000000	3579							M5x25
0001	OKL081	5254	OKL079					EASE K35	
0002	000000	3790							M6
0002	033447	3506			D			PIVOT WITH BUSH	M6x16
0003	000000	5261							
0004	OKL111	2134						WEDGE; 10 PCS	5x5x27
0005	000000	5257							
0006	000000	5255							
0007	OKJ007	3041		S	A			BALL BEARING; 6203 2 RS	
0008	OKQ478	3160			A			BUFFER; 3 PCS	
0009	OKJ009	5256						BEARING HOUSING 05256	
0010	000000	3768							
0010	032621	3550	0D0665					SCREW	M6x40
0010	0D0503	3653						NUT; 10 PCS	M6
0011	OKK069	3103						O-RING; 10 PCS 26,2X3,6	26,2x3,6
0012	OKJ008	5092						CALIBRATION RING	20x23x20
0013	0U4321	3271	OKI591					AMBER LENS COVER	20x28x6
0014	000000	5140							
0015	OKJ004	5984	653096					CONTAINER	
0016	OKQ367	4171						BOWL HANDLE; 2 PCS	
0017	000000	3542							M5x25
0018	033719	10414	653029					BLADS	
0018	OKJ051	10500	653028					ROTOR MONOBLOCKROTOR W/ BLADES	
0019	033319	5185	0D5047					GASKET AND GLOUE	
0020	OKJ005	5252		S				COMPLETE LID; K35	
0021	OKI586	3398		S	A	+		MAGNET	6x25
0022	0D0520	3766						PIN; 10 PCS	
0022	OKL159	3651						NUT; 10 PCS	M4
0022	0SB136	5006			D			SEALING RING; DIA.45MM	M4x12
0023	000000	10303							3-phase
0023	000000	10955							1-phase
0024	000000	5091							M4
0024	000000	5327							M4x10
0025	OKQ538	3177						SEAL	
0026	0D1248	5251						K35 VENTILATING PLATE	
0027	000000	5091							M4

Model All

Table 1-71211 Page 1 Main view

Pos.	Spare Part	Alias Code	Repl. by	S	Info	Kit	Techn. Bulletin	Description	Notes
0027	0KQ527	3315						SCREW; 10 PCS	M4x8
0028	033313	12311	0KQ537					SELECTOR; 5PCS	3-phase
0028	033940	12310	0KI988					REVERSING SWITCH	1-phase
0029	000000	3533							M4x16
0030	0D1193	4189						K35/K55 RELAY BRACKET	
0031	0KJ006	12062	0D6673			+		MAGNET DETECTOR SWITCH; T10S/T15S K35,55	230-415 V
0032	000000	3566							M3x16
0032	033986	3747				+		SCREW; 10 PCS	M3
0032	033987	3650				+		SCREW; 10 PCS	M3
0033	000000	3662							M8
0033	0D0626	3786						WASHER; 10 PCS	M8
0033	0KQ368	4162						LOCKING PLUG	
0034	000000	3749							
0034	0D1176	3467	0D6040			+		CLIP	
0034	0U0665	3493						SCREW SS; M4X10, 10 PCS	M4x10
0035	0D3941	3404						CABLE; 3PH	4x1mm
0035	0KL080	3400		S				CABLE K35	1~
0036	000000	3149							
0036	0SB146	3145						CONTACT; N.C.	
0037	0D0503	3653						NUT; 10 PCS	M6
0037	0D0504	3512						K55 SCREW 6X30	M6x30
0038	000000	3496							M4x25
0038	0D0520	3766						PIN; 10 PCS	
0038	0KL159	3651						NUT; 10 PCS	M4
0039	000000	3779							M6
0039	0KQ446	4963			A			CAPACITOR	12 MF-400V
0040	000000	3505							M6x12
0040	000000	3779							M6
0041	000000	5260							
0042	000000	3499							M5x12
0042	000000	3753							
0042	0KQ619	1352	0HD008					WEDGE	5x5x20
0043	0KJ780	3020	033106		A			V-BELT	
0044	000000	3576							M5x10
0044	000000	3752							M5
0045	0KI589	3158		S	A			ADJUSTABLE FOOT; M6X18	

Pos.	Spare Part	Alias Code	Repl. by	S	Info	Kit	Techn. Bulletin	Description	Notes
Model	All								
Table	1-71211		Page	1		Main view			
0046	000000	10306							3-phase 380-415 V 50 Hz
0046	000000	10425							1-phase 100V 50/60Hz
0046	000000	10600							3-phase 208-220 V 60Hz
0046	000000	11298							3-phase 230 V 50Hz
0046	0HA150	10423						NUT	1-phase 208-230 V 60 Hz
0046	0U0470	8711						MOTOR	1-phase 220-240 V 50 Hz
0046	0U0504	10422	0D0923					MOTOR RC14 1 110 60HZ	1-phase 115V 60Hz
0047	0D6369	5268						PLATINE ELECTRIQUE; K35	
0048	000000	3429							
0048	000000	3430							
0049	000000	3569							M4x6
0049	033326	6463		S	A			CAPACITOR; 80MF 250V	80 MF-250 V
0049	0U0242	1127			D			HOLDER	
0050	000000	12153							3~
0050	033987	3650				+		SCREW; 10 PCS	M3
0050	0D0018	12152						TERMINAL BOARD	
0050	0D0606	3565			D			SCREW; 10 PCS	M3x8
0051	000000	3572							M4x16
0051	0D0070	10307			A			CONTACTOR 400V 50/60	230-400 V
0051	0KQ438	9766	0D7994		A			MAIN MOTOR CONTACTOR	230 V
0051	0U0486	9770			A			AUXILLIARY CONTACT (EMX60)	
0052	000000	3569							M4x6
0052	0KL159	3651						NUT; 10 PCS	M4
0052	0KQ319	4970	0D3329		A			RELAY	