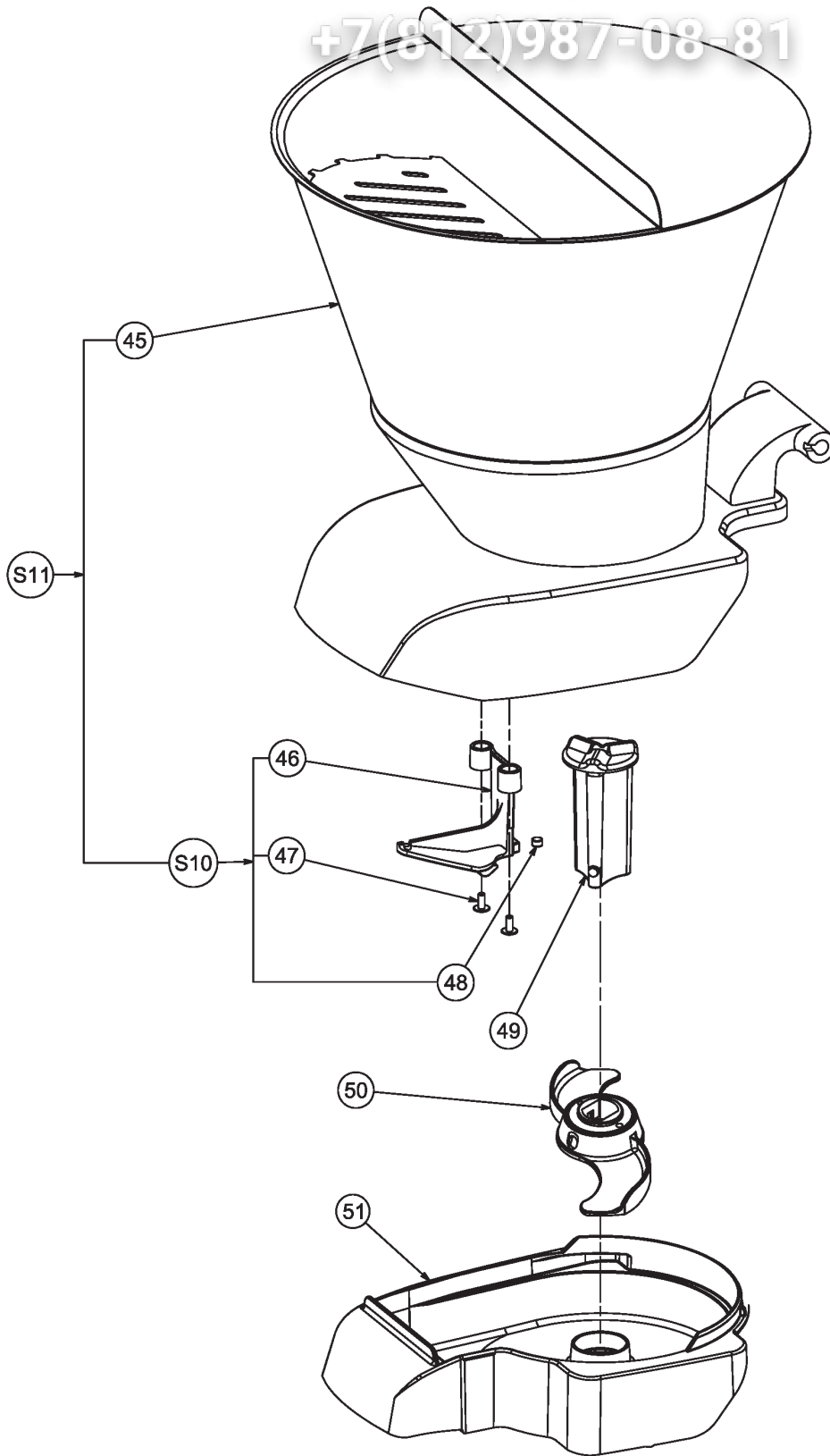


Зип Общепит

Vue éclatée Trémie / Hopper exploded view / Explosionszeichnung Trichter
/ Esploso Tramoggia pestello / Despiece Tolia / Sprängskiss Matarrör

vsezip.ru

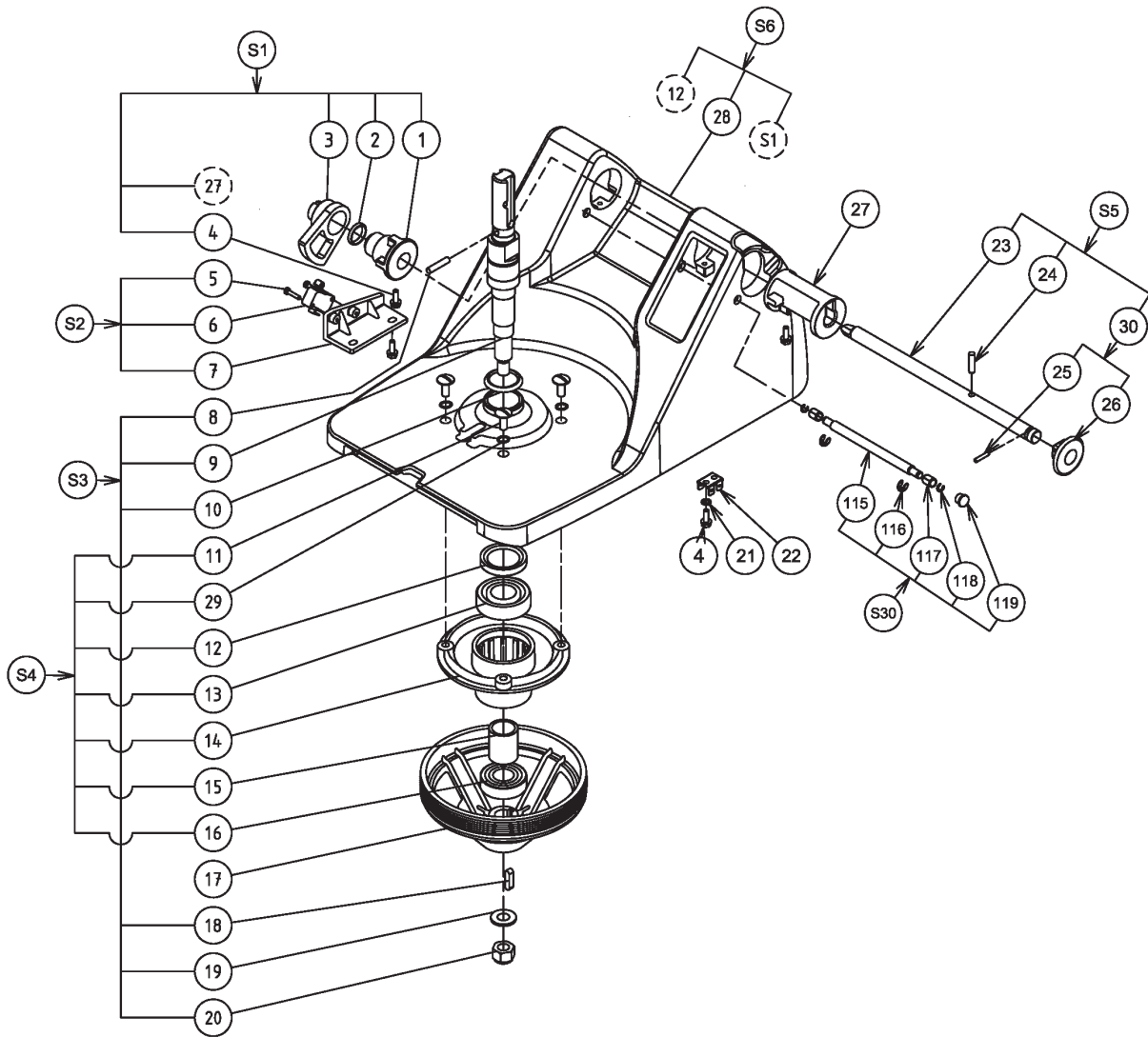
+7(812)987-08-81



B

TR210 11 2014

Pos.	Spare Part	Alias Code	Repl. by	S	Info	Kit	Techn. Bulletin	Description	Notes
0045	000000								See S11
0046	000000								See S10
0047	0U0666							SCREW; 10 PCS	
0048	000000								See S10
0049	0D7679				D			AGITATOR; TR120	
0050	0D5554			S				EJECTOR PLATE; STD TRK2	
0051	0D5562		0D8020	S				CHAMBRE; COUPE EQ TRK2	
0S10	0D5561			S				HANDLE; EQ TRK2	
0S11	0D7680		0D8009					COMPLETE AUTOMATIC HOPPER	

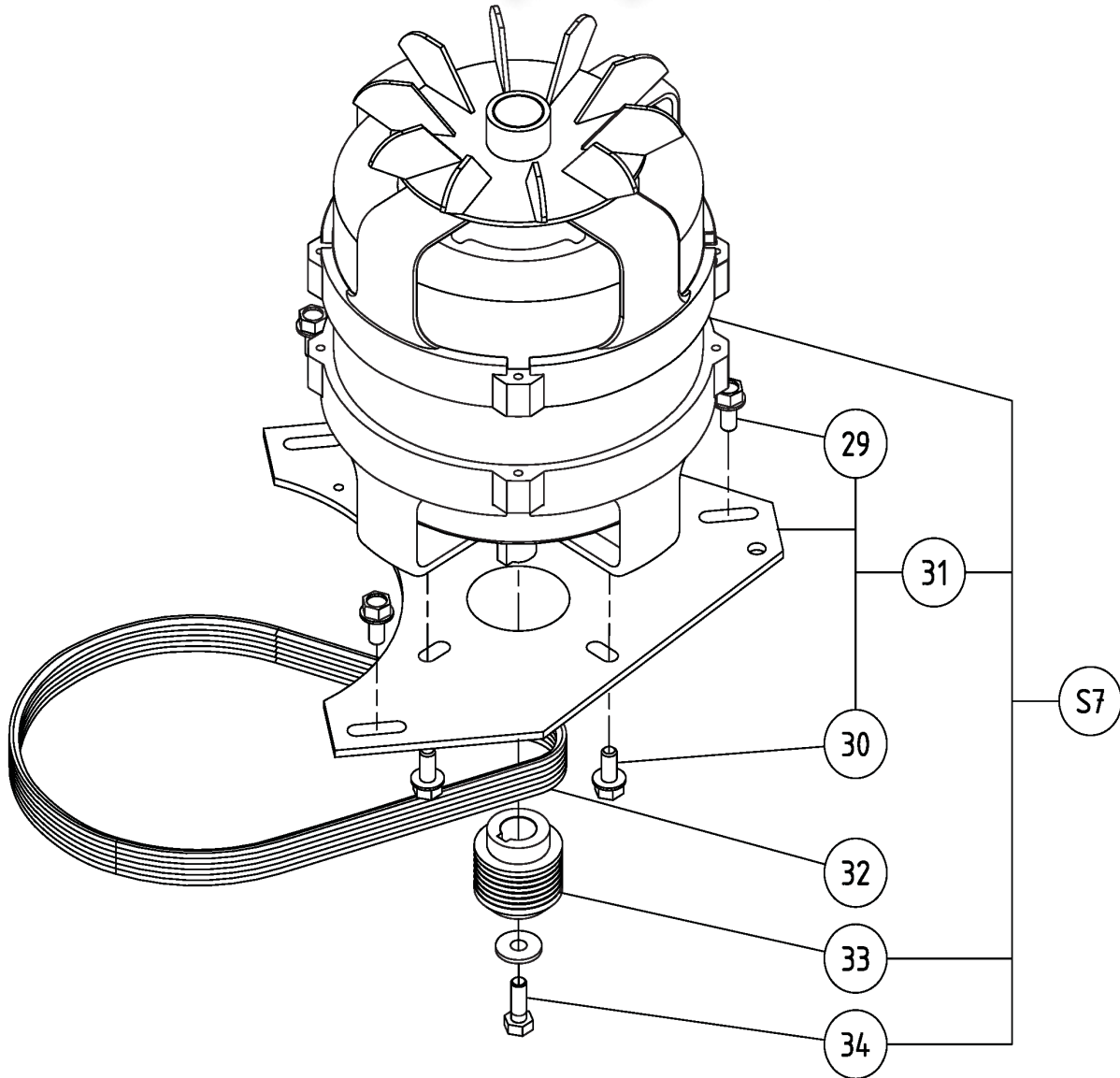


Зип Общепит

Pos.	Spare Part	Alias Code	Repl. by	S	Info	Kit	Techn. Bulletin	Description	Notes
Model	All								
Table	SPTR210 Page 4 Body exploded view								
0001	0D5412							DOOR HANDLE	
0002	0D2662							O-RING; 15.54X2.62 (1.25 X) 5	
0003	0D5413							CAM; TRK2	
0004	0D6754				D			SCREW; M4X12 INOX (JX10)	
0005	0D5414							SCREW; PT WN 1412 K30/16 (JX10)	
0006	0D6620			S				MICROSWITCH; TRK2	
0007	0D5415							SUPPORT; RUPTER TRK2	
0008	0D7860			S				SPRING COTTER; G06 5X25; SET 10PCS	
0009	000000								See S3
0010	0D5419			S				DEFLECTOR; TRK2	
0011	0U0237							SCREW; 10 PCS	
0012	0D5534							GASKET; 28X40X7 (JEU X5)	
0013	0KQ395			S	A			BEARING; 6204 2RS	
0014	000000								See S4
0015	0D5596							SPACER; 20X25X30 TRK2	
0016	0KJ007			S	A			BALL BEARING; 6203 2 RS	
0017	0D2093							POULIE RECEPTRICE TRS	
0018	0HD008							KEY; 5 PCS	
0019	0D5597							WASHER; M10X22X2 INOX (JX10)	
0020	0U0651							SELF-LOCK NUT; M10, 10 PCS	
0021	0D0520							PIN; 10 PCS	
0022	0D3567				D			BRASS EARTH TERMINAL (SET X5)	
0023	000000								See S5
0024	0D0396			S				PIN; 10 PCS	
0025	0KQ479			S				PEG; 10 PCS	
0026	0D5427		0D7492					PUSH BUTTON; TRK2	
0027	0D5428							GUIDE; TRK2	
0028	0D5429							CORPS; STD USINE TRK2	
0029	0D5144							O-RING; 5.7*1,9; 5 PCS	
0030	0D7492			S				BUTTON ASSEMBLY	
00S1	0D5430							DOOR HANDLE; GUIDE COMPLET TRK2	
00S2	0D5431			S				SUPPORT; RUPTEUR EQ TRK2	
00S3	0D7681							SHAFT; TR120	
00S4	0D5570			S				BEARING HOUSING ASSEMBLY; EQ TR2S	
00S5	0D5432			S				LOCKING BAR ASSEMBLY; EQ TRK2	
00S6	0D5433							CORPS; EQ TRK2	

Зип Общепит

Pos.	Spare Part	Alias Code	Repl. by	S	Info	Kit	Techn. Bulletin	Description	Notes
0115	000000								See S30
0116	0D7859							SNAP RING; 6E; SET 10PCS	
0117	0D7857							BEARING; 6X8X10; SET 10PCS	
0118	0D7858							SNAP RING; 6E; SET 10PCS	
0119	0D3043							PLUG (SET X10)	
0S30	0D7856							ROTATIVE TILTING BAR; KIT; TR2S	



Зип Общепит

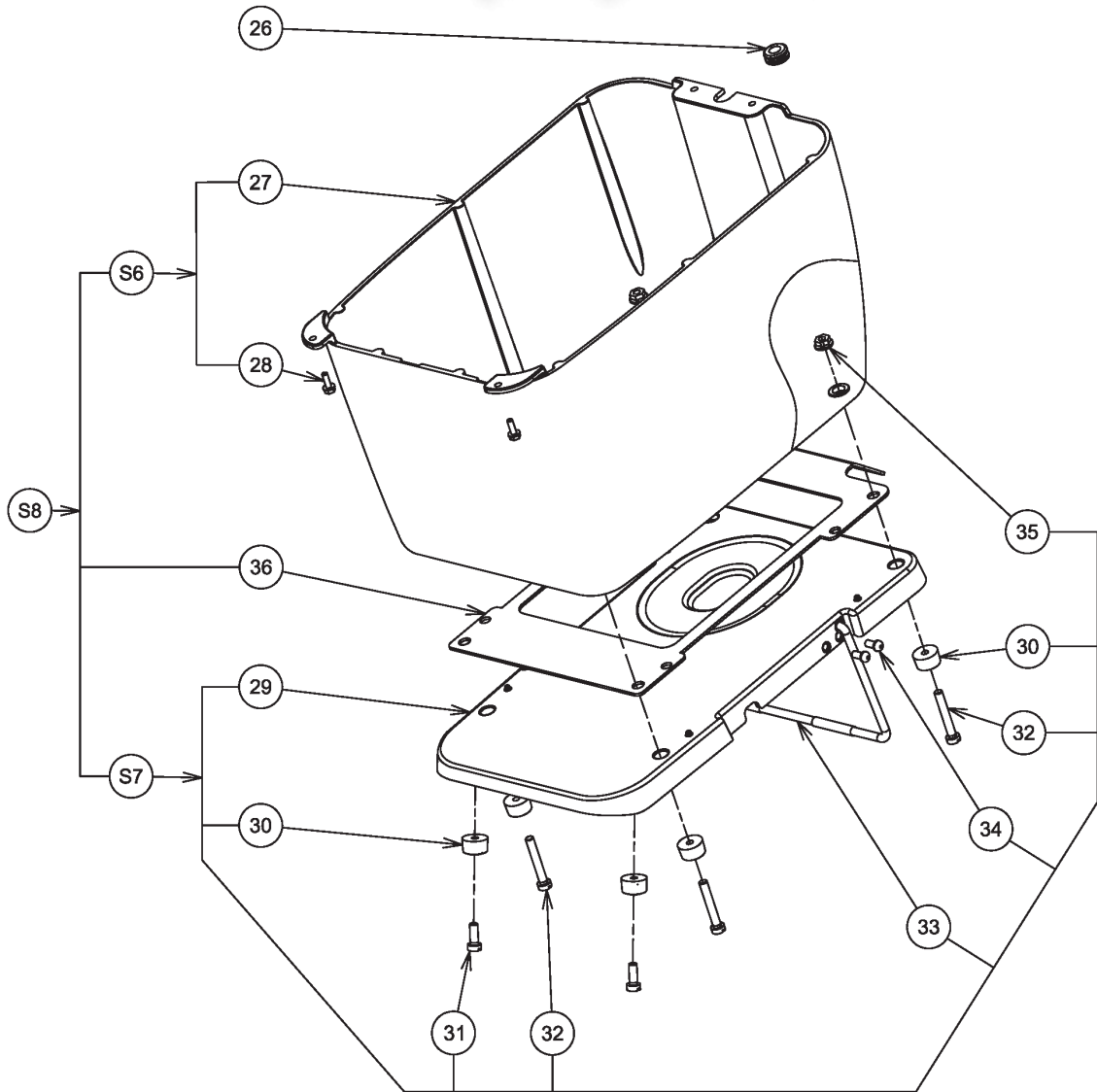
Pos.	Spare Part	Alias Code	Repl. by	S	Info	Kit	Techn. Bulletin	Description	Notes
0029	0D6708				D			SCREW; TAPTITE M6X16 (JEU X10)	
0030	0D0594							SCREW; 10 PCS	
0031	0D5598							SUPPORT; MOTOR EQ TRK2	
0032	033106			S	A			BELT; POLY V 559 J6	
0033	0KQ336							LAMP	
0034	000000								
00S7	0D5588							MOTOR; MONO 1V 500W EQ TR2S	
00S7	0D5590							MOTOR; 3 400 50 2V EQ TR2S	
00S7	0D5591							MOTOR; MONO VV EQ TR2S	

Зип Общепит

Vue éclatée Caisson / Casing exploded view / Explosionszeichnung
Gehäuse/ Esploso Cassone / Despiece Carcasa / Sprängskiss Behållare

vsezip.ru

+7(812)987-08-81



Model All

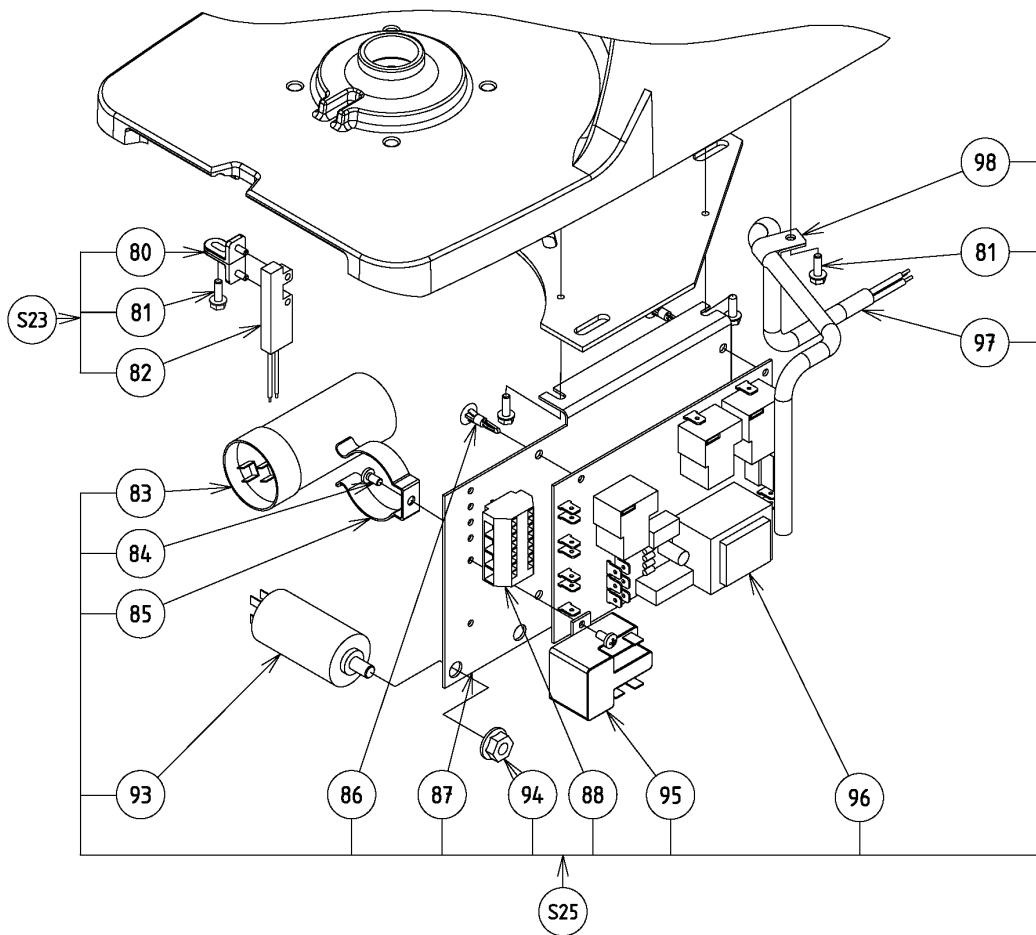
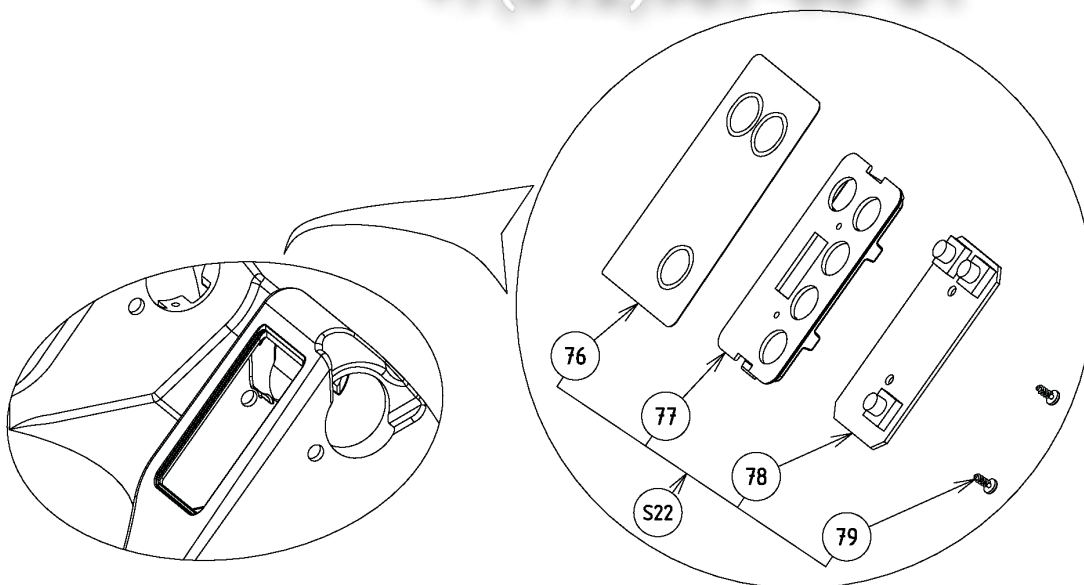
Table SPTR210 Page 8 Casing exploded view

Pos.	Spare Part	Alias Code	Repl. by	S	Info	Kit	Techn. Bulletin	Description	Notes
0026	0D1014							10 PCS GROMMET	
0027	000000								See S6
0028	0D6754				D			SCREW; M4X12 INOX (JX10)	
0029	0D5548				D			BASE; STD	
0030	0D7136			S				FEET; EQ K-TR2S-TRK2; SET 6PCS	
0031	0D0615							VIS C M6X16 INOX JEU X10	
0032	0D3039				D			SCREW C M6X40 STLESS STL (SET X10)	
0033	0D5549				D			BERQUILLE; TRK2	
0034	0KQ699							LIMIT STOP/THRUST BEARING; 5 PCS	
0035	0D6782							NUT; HUM6 EMBASE CRANTEE JX10	
0036	000000								See S8
00S6	0D5566							CONTAINER; CAISSON EMBALLE TR2S	
00S7	0D5839				D			BASE; INCLINABLE COMPLETE TRK	
00S8	0D7686								

Зип Общежит

Vue éclatée Commande-Platine TR 1V mono / Exploded view TR 1-sp. single phase circuit board-Control / Explosionszeichnung Steuerung-Platine TR 1 GS WS / Esploso Comando Piastra TR 1V mono / Despiece Mando-Platina TR 1V mono / Sprängskiss-Kontroll-TR-Platin 1V en

+7(812)987-08-81



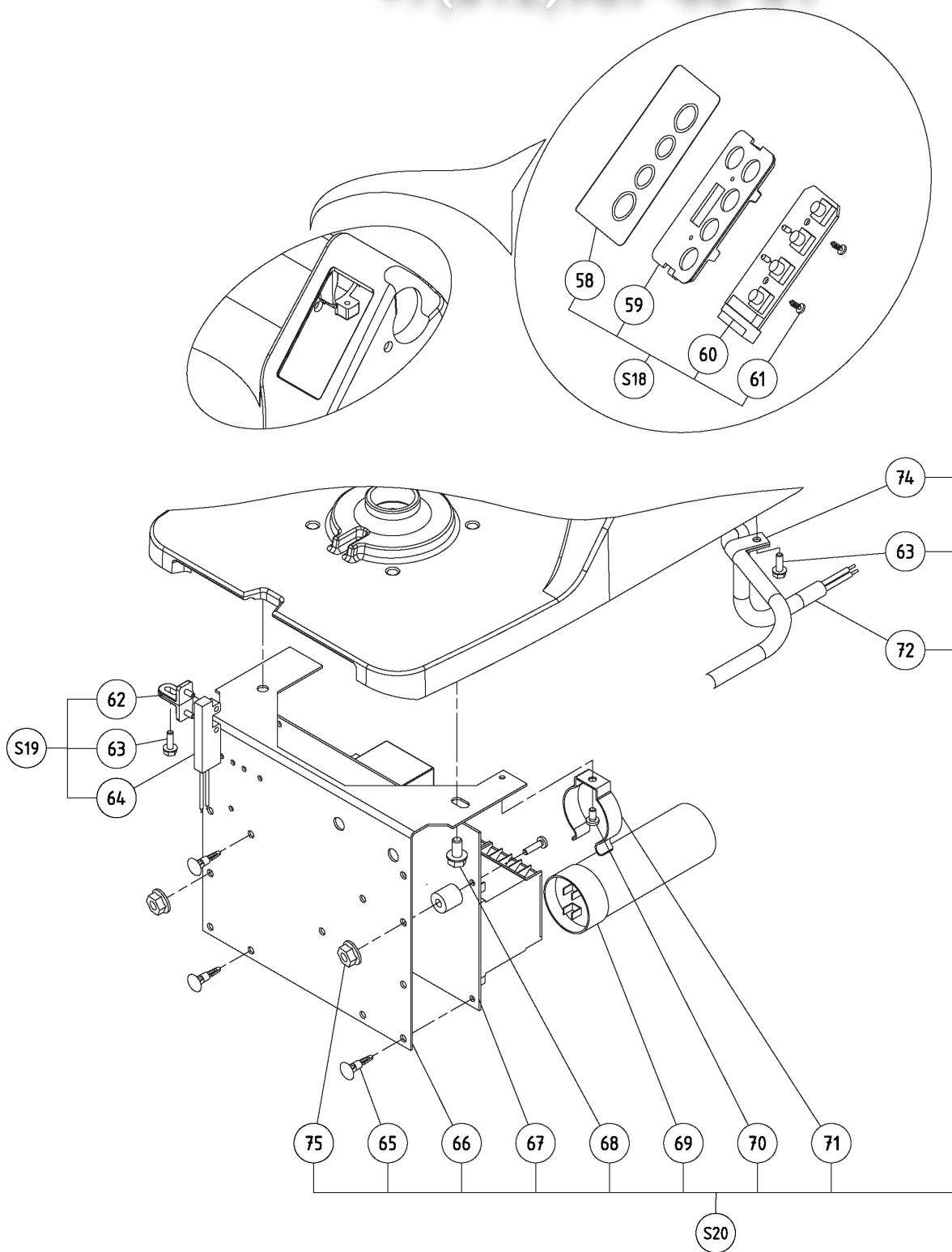
J

TR210 11 2014

Pos.	Spare Part	Alias Code	Repl. by	S	Info	Kit	Techn. Bulletin	Description	Notes
Model	All								
Table	SPTR210 Page 10 Exploded view TR 1-sp. Single phase circuit board-Control								
0076	0D7682				D			ADHESIVE MEMBRANE; 1 SPEED; ELUX	
0076	0D7690				D			ADHESIVE MEMBRANE; 1 SPEED; DITO	
0077	0D5515							SUPPORT; CARD CDE TRK2	
0078	0D6245			S				CARD; M/A/PULSE TRK	
0079	0D2918							SCREW PT WN 1442 K30/8 (SET X10)	
0080	0D5517							SUPPORT; SECURITE TRK2	
0081	0D6754				D			SCREW; M4X12 INOX (JX10)	
0082	0D6626			S				SENSOR; TRK2	
0083	0U0471			S	A			START CAPACITOR; 90MF - 275V	
0084	0D3429				D			SCREW PLATE M4X8 GALVA STL SET X10	
0085	0U0242				D			HOLDER	
0086	0D2848							PRINTED CIRCUIT FIXING SPACER (SET X6)	
0087	0D5602				D			SUPPORT; COMPOSANT TR CI	
0088	0D5135							TERMINAL; 5 PCS	
0093	0U0403			S	A			RUN CAPACITOR RC14	
0094	0D3590							RING NUT HU M8 WRAPPED SET X10	
0095	0D7436							RELAY; HLR3800 8N3L-230V	
0096	0KQ429			S	A			POWER BOARD; 1-P 220/240V-50/60HZ	
0097	0D5545			S				CABLE; ALIM MONO EQ TRK2	
0098	0D6040				K	Kit		CLIP; SET 10PCS	
0S22	0D7683				D			COMPLETE CONTROL CARD SUPPORT 1V; ELUX	
0S22	0D7691				D			COMPLETE CONTROL CARD SUPPORT; 1V; DITO	
0S23	0D5522							SUPPORT; PSA COMPLETE TRK2	
0S25	0D5489							POWER BOARD; 115V 1V UL EQ TRK	
0S25	0D5495							POWER BOARD; 115V 1V UL+RMA TRK	
0S25	0D5575							SUPPORT; MONO 1V TR2S	

Vue éclatée Commande-Platine TR 2V tri / Exploded view TR 2-sp three-ph. Circuit board-Control / Stückliste Steuerung Regelantrieb / Esploso Comando Piastra TR 2V tri / Despiece Mando-Platina TR 2V tri / Sprängkiss- Kontroll-TR-Platin 2V tre

+7(812)987-08-81

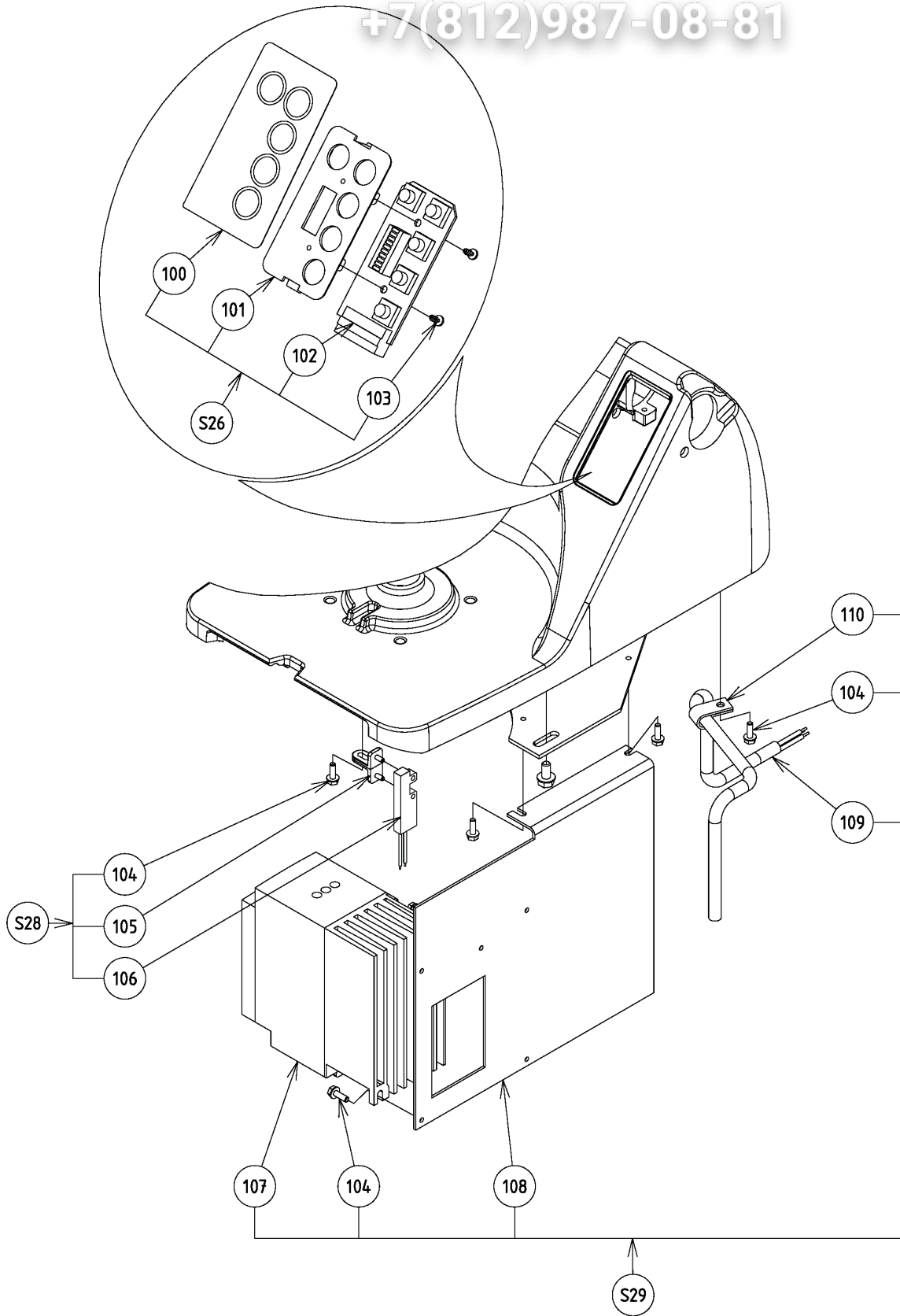


Pos.	Spare Part	Alias Code	Repl. by	S	Info	Kit	Techn. Bulletin	Description	Notes
0058	0D7684				D			ADHESIVE MEMBRANE; 2 SPEED; ELUX	
0058	0D7692				D			ADHESIVE MEMBRANE; 2 SPEED; DITO	
0059	0D5515							SUPPORT; CARD CDE TRK2	
0060	000000								S18
0061	0D2918							SCREW PT WN 1442 K30/8 (SET X10)	
0062	0D5517							SUPPORT; SECURITE TRK2	
0063	0D6754				D			SCREW; M4X12 INOX (JX10)	
0064	0D6626				S			SENSOR; TRK2	
0065	0D2848							PRINTED CIRCUIT FIXING SPACER (SET X6)	
0066	0D5518				D			SUPPORT; COMPOSANT K CI	
0067	0D5679				S			POWER BOARD; 2V EQ TBX	
0068	0D6708				D			SCREW; TAPTITE M6X16 (JEU X10)	
0069	0KQ662				S	A		CONDENSER	
0070	0D3429				D			SCREW PLATE M4X8 GALVA STL SET X10	
0071	0U0242				D			HOLDER	
0072	0D5544				D			CABLE; ALIM TRI EQ TRK2	
0074	0D1708							COLLAR; ASS.	
0075	0D6441				K	Kit		SPACER; SET 10PCS; 4X10X10	
0075	0D6755					Kit		SCREW; SET 10PCS; M4X20	
0075	0D6756					Kit		NUT; PLASTIQUE M4; SET 10PCS	
0S18	0D7685				D			COMPLETE CONTROL CARD SUPPORT 2V; ELUX	
0S18	0D7693				D			COMPLETE CONTROL CARD SUPPORT; 2V; DITO	
0S19	0D5522							SUPPORT; PSA COMPLETE TRK2	
0S20	0D5572		0D8001					SUPPORT; TRI 2V TR2S	

Зип ОбщеПит

Vue éclatée Commande-Variateur / Exploded view Variable speed unit-
Control / Explosionszeichnung Steuerung-Regelantrieb / Esploso Coman-
do-Variatore / Despiece Mando-Variador / Sprängskiss - Kontroll-Variator

+7(812)987-08-81



N

TR210 11 2014

Pos.	Spare Part	Alias Code	Repl. by	S	Info	Kit	Techn. Bulletin	Description	Notes
0100	0D7687				D			ADHESIVE MEMBRANE; VARIABLE SPEED; ELUX	
0100	0D7694				D			ADHESIVE MEMBRANE; VARIABLE SPEED; DITO	
0101	0D5515							SUPPORT; CARD CDE TRK2	
0102	0D5546			S				CARD; COMMANDE P/M/A/+/- TRK	
0103	0D2918							SCREW PT WN 1442 K30/8 (SET X10)	
0104	0D6754				D			SCREW; M4X12 INOX (JX10)	
0105	0D5517							SUPPORT; SECURITE TRK2	
0106	0D6626			S				SENSOR; TRK2	
0107	0D6246							SPEED VARIATOR; REGLE TR2S	
0108	0D7689								
0109	0D5545			S				CABLE; ALIM MONO EQ TRK2	
0110	0D6040				K	Kit		CLIP; SET 10PCS	
0S26	0D7688				D			COMPLETE CONTROL CARD SUPPORT VV; ELUX	
0S26	0D7695				D			COMPLETE CONTROL CARD SUPPORT; VV; DITO	
0S28	0D5542							SUPPORT; PSA COMPLETE +CLIPS TRK2	
0S29	0D5606							SUPPORT; COMPLETE TR2S	