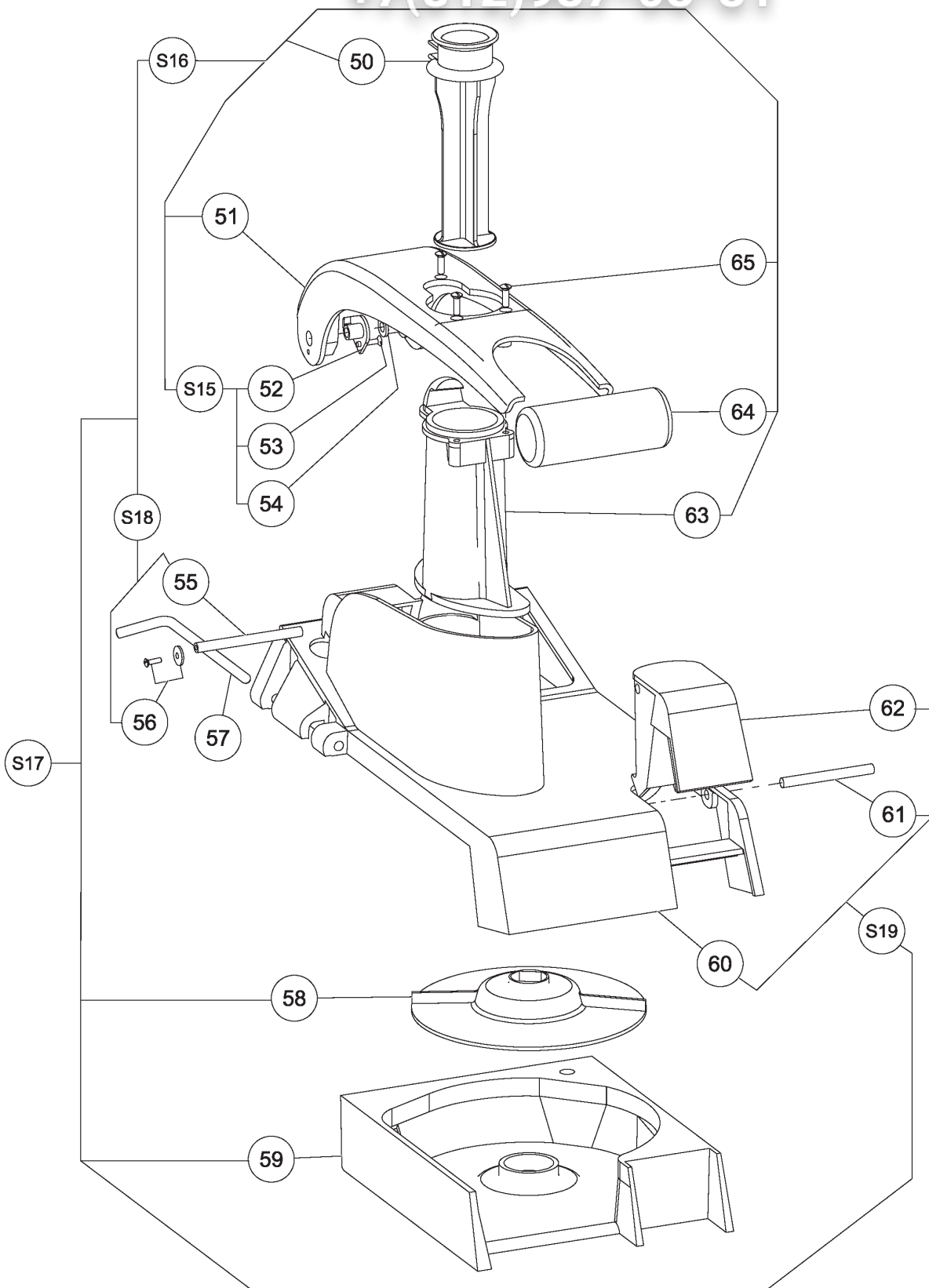


Pos.	Spare Part	Alias Code	Repl. by	S	Info	Kit	Techn. Bulletin	Description	Notes
0001	0D5131							SHAFT; W/COTTER PIN	
0002	0HD008							KEY; 5 PCS	
0003	000000								See S2
0004	0D3578							O-RING 47X3 (SET X5)	
0005	0KI998			S	A			RING; 28X40X7MM; FOR TRS; 5 PCS	
0006	0KI590			S				BALL BEARING; 6303 2RS1	
0007	0D5107							PIVOT; TRX	
0008	0D5916				D			SPACER; 18X23X23 TRX	
0009	0D3567				D			BRASS EARTH TERMINAL (SET X5)	
0010	0D0520							PIN; 10 PCS	
0010	0D0610							K35 SCREW TC 4X8	
0011	0KJ007			S	A			BALL BEARING; 6203 2 RS	
0012	0D1669			S	A			BELT	
0012	0D2600				A			POLY V BELT 660 J6	
0013	0D5132				D			SCREW; M5*12 IX; 10 PCS	
0014	000000								See S4
0015	0D0587				D			SET OF 10 PCS NUTS NYLOC M12	
0015	0D1005				D			WASHER; 10 PCS	
0016	000000								See S5
0017	000000								See S5
0018	0KL061			S	A			FOOT; 4 PCS	
0019	0D5133				D			SCREW; M5*25 IX; 10 PCS	
0020	000000								See S6
0021	0KQ366							PULLEY	
0022	0D0551							SCREW; 10 PCS	
0023	0D0757				D			MULTI200 MOTOR SUPPORT PLATE	
0024	034196				D			SCREW 5X8MM; 10 PCS	
0024	0D0546							WASHER; 10 PCS	
0025	0D6627							SENSOR; TRX/MULTI-TR200	
0025	0D6628				D			SENSOR; TRX/MULTI-TR200	
0026	033986					+		SCREW; 10 PCS	
0026	033987					+		SCREW; 10 PCS	
0026	0D0608							SCREW; 10 PCS	
0027	000000								See S7
0028	0D0764							MULTI200 MOTOR ROOL	
0029	0D6622				D			MICROSWITCH; TRX/TR-MULTI200	

Pos.	Spare Part	Alias Code	Repl. by	S	Info	Kit	Techn. Bulletin	Description	Notes
Model	All								
Table	SPMULTI Page 2 Exploded view structure								
0030	0U0354				A			SWITCH MOUNTING BLOCK	
0031	0D3621							FESSORT TRS	
0032	0KQ485				D			CIRCLIP; 10 PCS	
0033	0D5918				D			SLIDE ROD; TRX	
0034	0KQ521				A			SEAL; 10 PCS	
0035	0D5917				D			GUIDE; TRX	
0036	000000								See S1
0037	0KJ586			S				CONTROL BOARD; WITH PUSH-BUTTONS	
0038	0KR665		0D7662					PLASTIC CAP	
0039	0D0391							BERMIXER RUBBER PLUG/STRAIGHT	
0040	0KL072			S	A			COMMUTATOR 3 PHASE	
0041	0D3469			S	A			TIMER/POTENTIOMETER. BUTTON KIT	
0042	0D1095							MULTI200 POTENTIOMET.CARD 115V	
0042	0KQ424				A	+		POTENTIOMETER CONTROL CARD	
0043	0D5312							SUPPLY CABLE; STD- TRX	
0043	0D5313				D			SUPPLY CABLE; USA - TRX	
0043	0D5314				D			SUPPLY CABLE; AUS. - TRX	
0043	0D5315							SUPPLY CABLE; CRYPTO- TRX	
0044	0D5922				D			SUPPORT; MOTEUR/VARIATEUR TRX	
0045	0KQ426				A			FREQUENCY CONVERTER	
0046	0D0930							MULTI200 TIMER CONTACT	
0046	0D0931							MULTI200 CONTACT ASSY	
0047	0D0817							XBE10 VOLTAGE CONVECTOR	
00S1	0D0852							MULTI/TR200 BODY ASSEMBLY	
00S2	0KJ723							SET OF SEALS	
00S3	0D0849							MULTI/TR200 SHAFT ASSEMBLY	
00S4	033105			S				PULLEY	
00S5	0D0850							MULTI 200 CASING	
00S6	0D2690							MOTOR ASSY SINGLE PH TRX	
00S6	0D2691							MOTOR ASSY THREE PH TRX	
00S7	0U0707				A			MICROSWITCH (LID)	
00S8	0U0708				A			MICROSWITCH	
00S9	0D0951							MULTI ELECT.VARIATION KIT 115V	

Vue éclatée - Trémie fouloir / Exploded view hopper and feed arm / Explosionszeichnung - Trichter mit Druckhebel / Esploso - Tramoggia pestello / Despiece - Tolva pisón

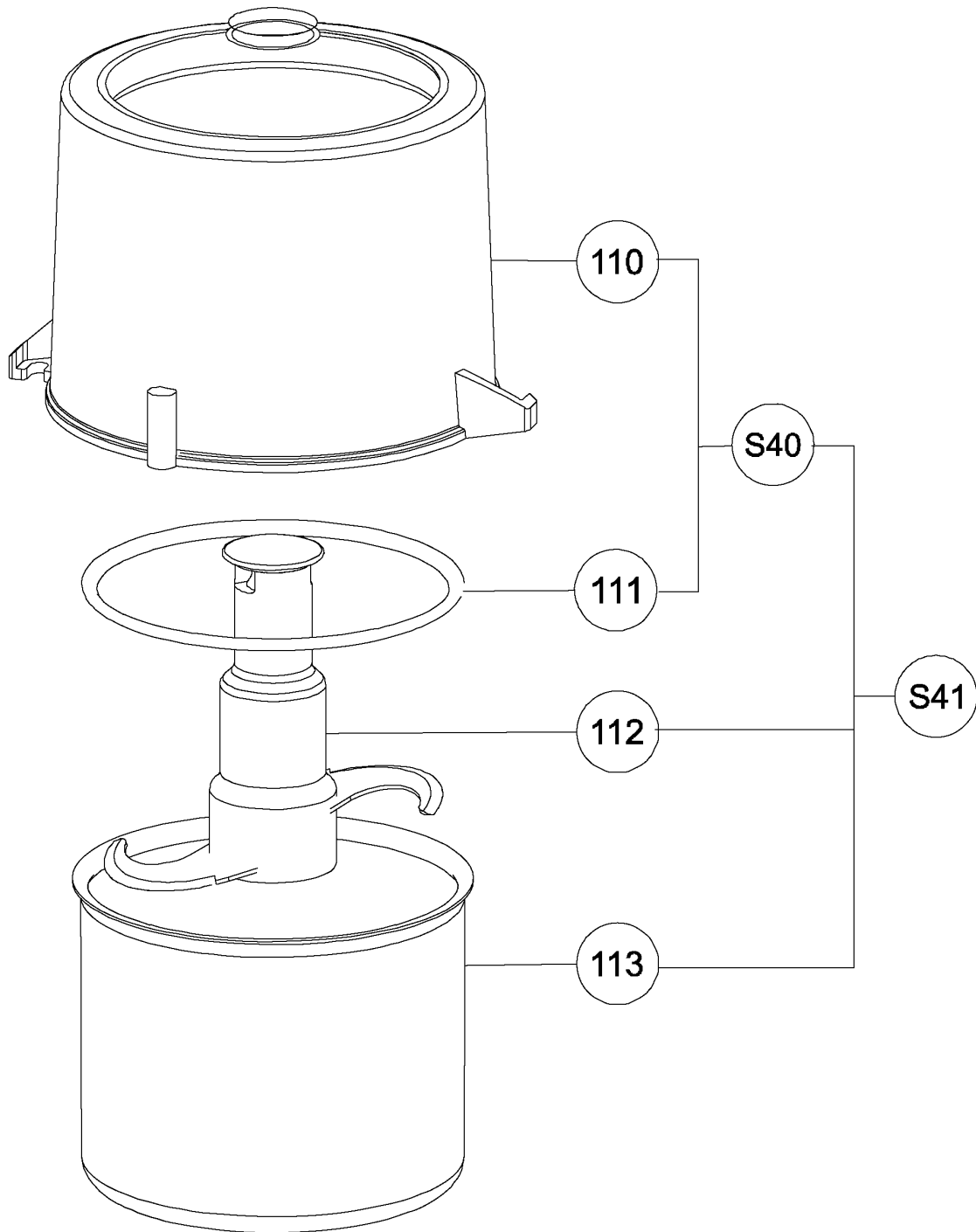
+7(812)987-08-81



Pos.	Spare Part	Alias Code	Repl. by	S	Info	Kit	Techn. Bulletin	Description	Notes
Model	All								
Table	SPMULTI								
Page	6								
Exploded view hopper and feed arm									
0050	0KI992			S				FEED STICK	
0051	000000								See S16
0052	0D3620							CAM TRS	
0053	0D0643							SCREW; 10 PCS	
0054	0KJ599			S	A			BUSHING; 5 PCS	
0055	0D0643							SCREW; 10 PCS	See S18
0056	0D0643							SCREW; 10 PCS	
0056	0D2327							MILLED WASHER 14X4.5 SET X5	
0057	0D1583							HINGE PIN	
0058	0KJ002			S				EJECTOR DISK	
0059	0KQ458							REMOVABLE CUTTING CHAMBER	
0060	000000								See S19
0061	033596			S	A			PIN	
0062	0D0758							LOCKING HANDLE MULTI 200	
0063	000000								
0064	000000								
0065	000000								
0S15	0U0446			S	A			PLASTIC CAM	
0S16	0KQ425							FEED ARM ASSEMBLY MULTI 200	
0S17	653287							LEVER-OPERATED HOPPER	
0S18	0D0851							FEED PIN ASSEMBLY MULTI 200	
0S19	0D5134				D			HOPPER	

Vue éclatée - Cutter / Exploded view cutter /
Explosionszeichnung-Cutter / Esploso Cutter /
Despiece - Trituradora

+7(812)987-08-81

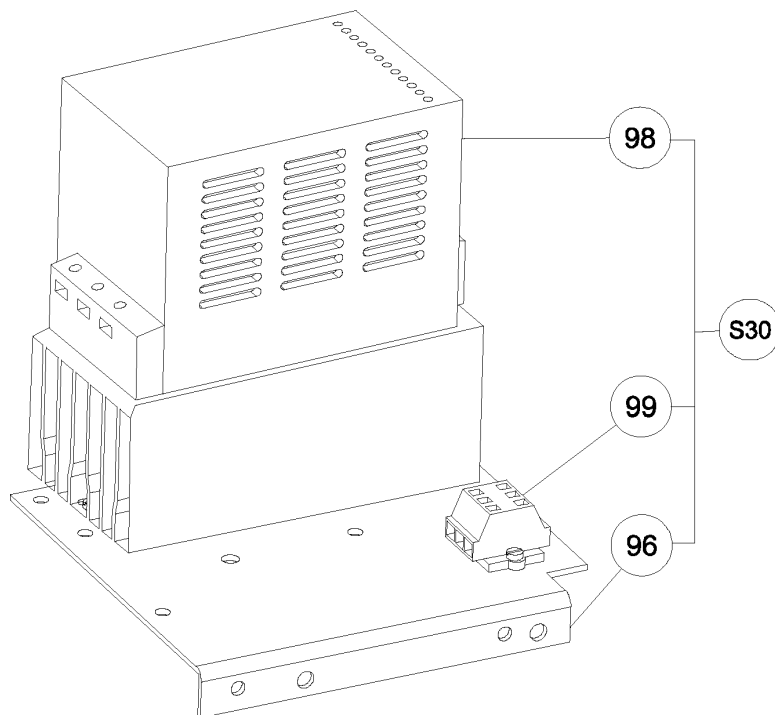
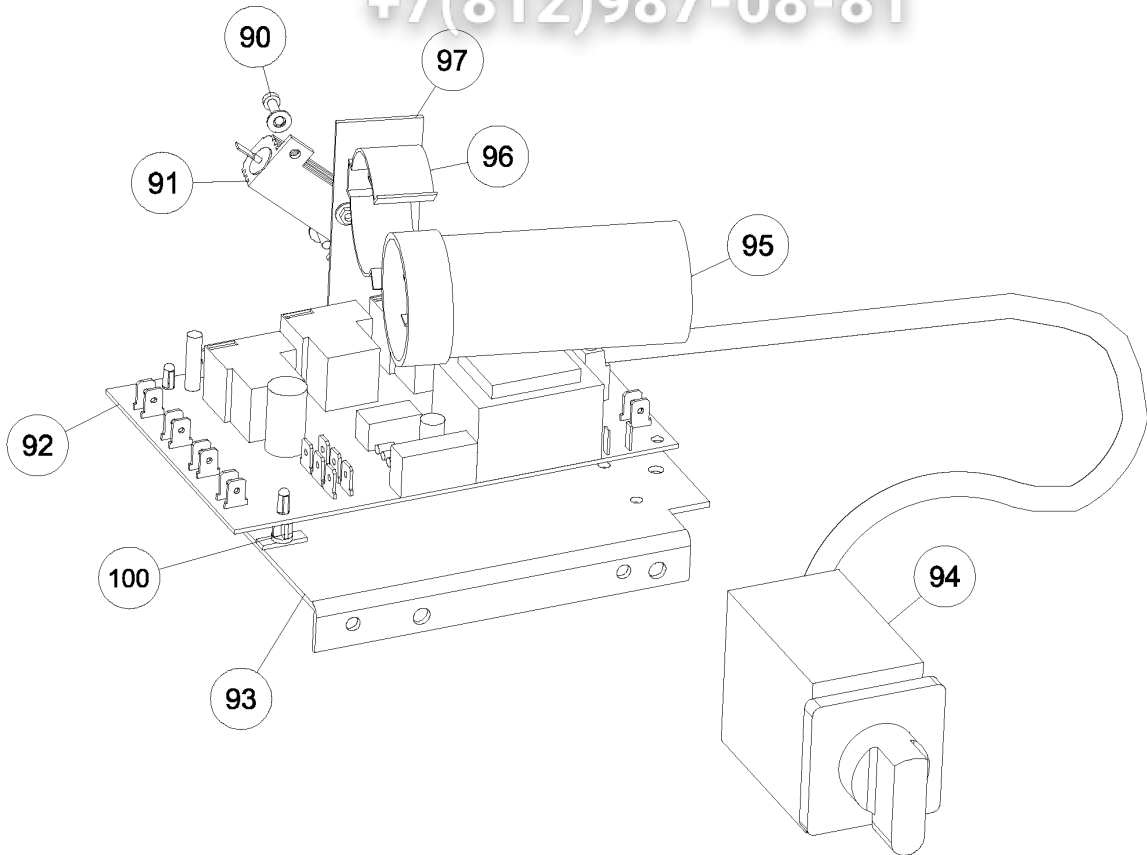


Pos.	Spare Part	Alias Code	Repl. by	S	Info	Kit	Techn. Bulletin	Description	Notes
0110	000000								See S40
0111	OKJ724				A			COVER SEAL MULTI 200	
0112	653305							MICROTOOTH BLADE ROTOR-3.5L MULTI.CUTTER	
0112	653559							SMOOTH BLADE ROTOR FOR 3.5L MULTI.CUTTER	
0113	653281							3.5L STAINLESS STEEL BOWL	
0S40	OKL083							CUTTER COVER MULTI 200	
0S41	653288							3.5L CUTTER WITH SMOOTH BLADES	

Vue éclatée / Exploded view / Explosionszeichnung / Esploso / Despiece

Platine électrique bi-vitesse / electric platinum bi-speed / elektrisches Platin Bi-Geschwindigkeit / platino elettrico vi-velocità / platino eléctrico Bivelocidad

+7(812)987-08-81



Platine électrique vitesse variable / electric platinum variable speed / elektrisches Platin veränderliche Geschwindigkeit / platino elettrico velocità variable / platino eléctrico velocidad variable

Pos.	Spare Part	Alias Code	Repl. by	S	Info	Kit	Techn. Bulletin	Description	Notes
0090	0D5136				D			SCREW; C 3*12 NYLON; 10 PCS	
0090	0D5137							WASHER; PE 4.5*10; PCS 10	
0091	033891				A			RESISTOR	
0092	0KJ778		0D7962		A			POWER BOARD; 3-PHASE	
0093	0D5814							BRACKET; COMPOSANT TRS	
0094	0KL072			S	A			COMMUTATOR 3 PHASE	
0095	0KQ662			S	A			CONDENSER	
0096	0U0242				D			HOLDER	
0097	0D5121		0D0810					BRACKET; CONDENSER; TRS MONO	
0098	000000								See S30
0099	0D0018							TERMINAL BOARD	
0100	0D2848							PRINTED CIRCUIT FIXING SPACER (SET X6)	
0S30	0KQ426				A			FREQUENCY CONVERTER	