

Зип Общепит

vsezip.ru

АМІКА
+7(812)987-08-81

SPARE PARTS CATALOGUE
ERSATZTEILKATALOG
CATALOGUE PIECES DETACHEES
CATALOGO PARTI RICAMBIO
CATALOGO DE PIEZAS DE RECAMBIO
CATALOGO PEÇAS DE REPOSICAO

8XL

10-02-2009

Tav.1: Carrozzeria
Tav.2: Impianto elettrico
Tav.3: Componenti in vasca
Tav.4: Circuito di lavaggio
Tav.5: Circuito di risciacquo
Tav.6: Lance di lavaggio
Tav.7: Pompa di lavaggio
Tav.8: Pompa di scarico

Tav.1: Machine body
Tav.2: Electrical components
Tav.3: Components in the tank
Tav.4: Washing circuit
Tav.5: Rinsing circuit
Tav.6: Washing arms
Tav.7: Washing pump
Tav.8: Draining pump

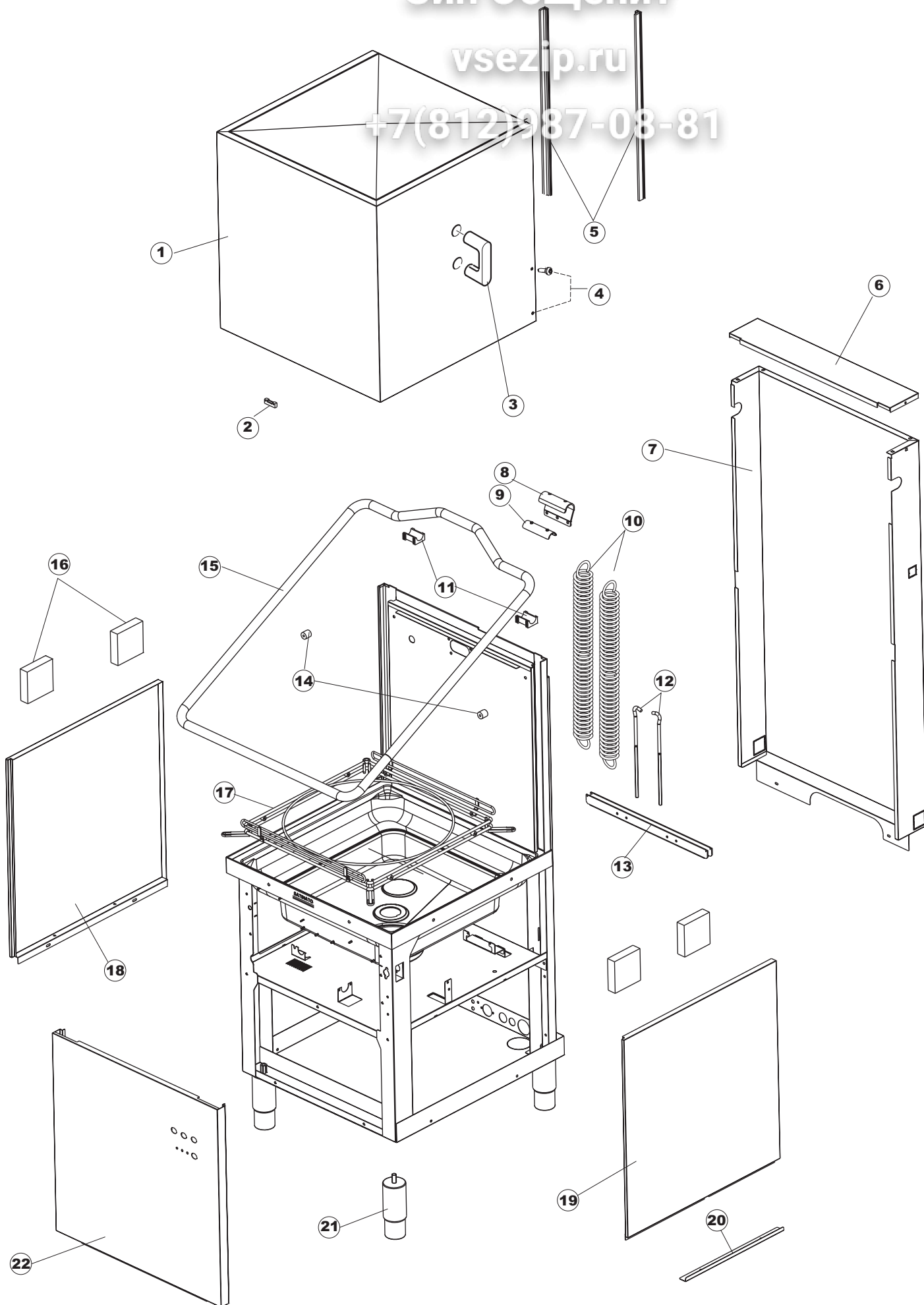
Tab.1: Carrocería
Tab.2: Instalación eléctrica
Tab.3: Componentes en cuba
Tab.4: Circuito de lavado
Tab.5: Circuito d'enjuague
Tab.6: Brazos de lavado
Tab.7: Bomba de lavado
Tab.8: Bomba de descarga

Tab.1: Carrosserie
Tab.2: Installation électrique
Tab.3: Composants de cuve
Tab.4: Circuit de lavage
Tab.5: Circuit de rinçage
Tab.6: Bras de lavage
Tab.7: Pompe de lavage
Tab.8: Pompe de vidange

Taf.1: Verkleidung
Taf.2: Elektrische Anlage
Taf.3: Bauteile im Waschtank
Taf.4: Spuelschaltung
Taf.5: Nachspuelschaltung
Taf.6: Wascharmee
Taf.7: Spuelpumpe
Taf.8: Laugenpumpe

vsezip.ru

+7(812)987-08-81



Listino componenti per pagina 1

Зип Общепит

vsezip.ru

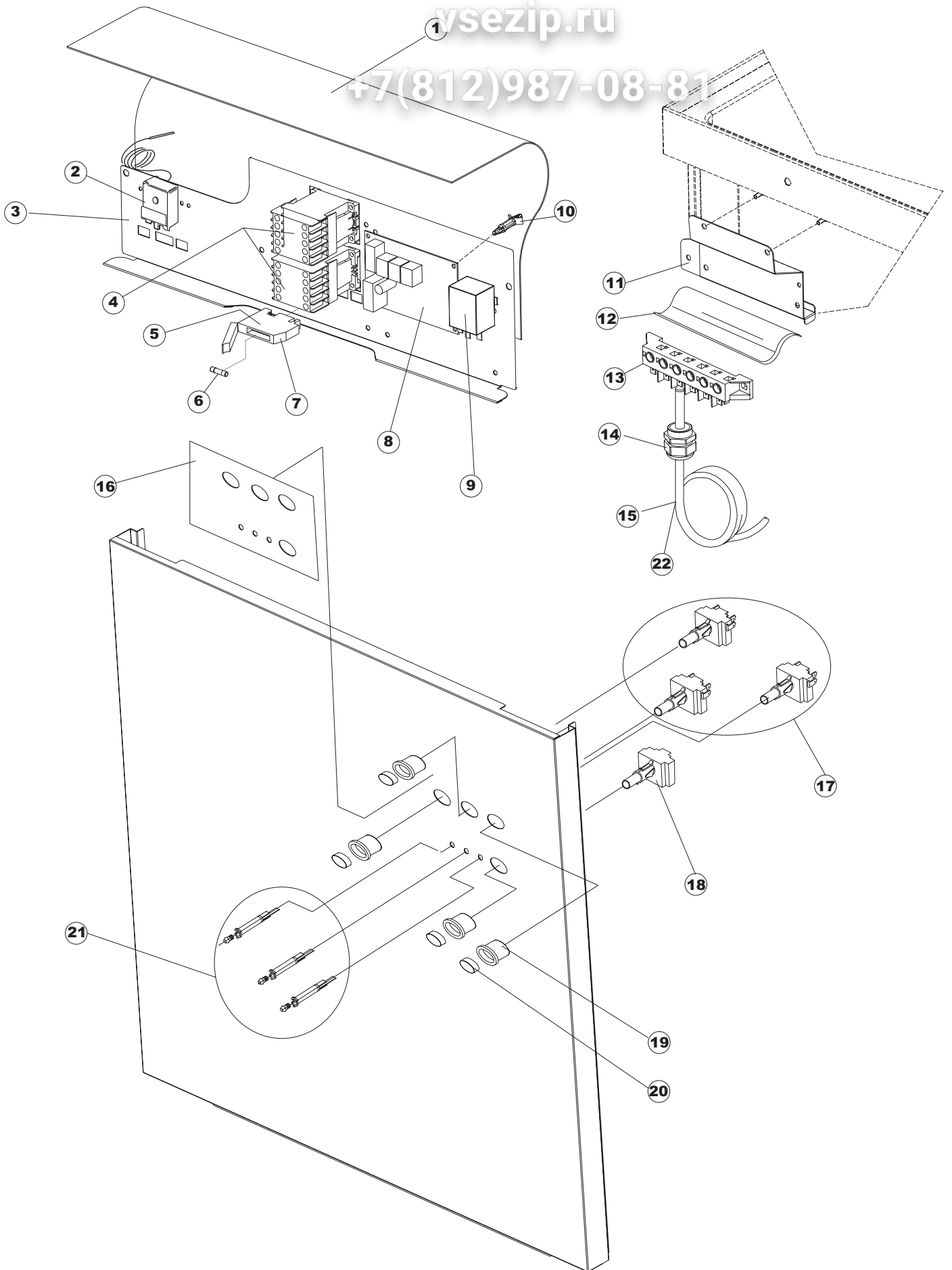
(7872)987-08-81

1	80141	GRUPPO CAPPА SQUADRATA COMPLETA COMPLETE HOOD GROUP KOMPLETE HAUBE GRUPPE GROUPE COMPLETE CAPOT GRUPO CAMPANA CUADRADA COMPLETA	
2	927088	MAGNETE PER MICROINTERRUTTORE MAGNET FOR MICROSWITCH MAGNET FÜR MIKROSCHALTER AIMANT POUR MINIRUPTEUR IMAN PARA MICROINTERRUPTOR	
3	926243	PONTICELLO GRIGIO MANIGLIA TIPO CLG. CONVEX TYPE HANDLE, GREY TYPE CLG. STEG, GRIFF GRAU TYP CLG. ARCADE GRIS POIGNEE TYPE CLG. PUENTE GRIS MANIJA TIPO CLG.	
4	80998	VITE PLASTICA M4X6 (DIN933) GOLD SCREW, PLASTIC M4X6 (DIN933) GOLD SCHRAUBE, KUNST. M4X6 (DIN933) GOLD VIS PLASTIQUE M4X6 (DIN933) GOLD TORNILLO PLASTICO M4X6 (DIN933) GOLD	
7	80162	PANNELLO RETRO VEDI CODICE 80167 PANEL, REAR PLATTE, HINTEN PANNELLO ARRIERE PANEL TRASERO	
8	80275	SQUADRA BRACKET WINKEL EQUERRE ESCUADRA	
9	80277	SQUADRA BRACKET WINKEL EQUERRE ESCUADRA	
10	926007	MOLLA TRAZ.CAPOTTA f5 100/120/140 SPRING, HOOD TRAZ. f5 100/120/140 SPANNFEDER HAUBE f5 100/120/140 RESSORT TRACT.CAPOT f5 100/120/140 MUELLE TRACC. CAPOTA f5 100/120/140	
11	80190	SQUADRA SUPP.MANIGLIONE BRACKET, FOR HANBLE SUPP. WINKEL, HALTER FÜR GRIFF EQUERRE SUPP.POIGNEE ESCUADRA SOP. MANIJA	
12	926009	GANCIO REGOLAZIONE MOLLA 100/120/140 HOOK, ADJUST.SPRING 100/120/140 HAKEN, FEDERREGUL. 100/120/140 CROCHET REGLAGE RESSORT 100/120/140 GANCHO REGULACION MUELLE 100/120/140	
13	80023	SQUADRA BRACKET WINKEL EQUERRE ESCUADRA	
14	80105	PARACOLPI CAPOT SHOCK-ABSORBER FOR CAPOT PUFFER FÜR DURCHSCHUBSPÜLAUTOM. PARE-CHOCS CAPOT GUARDAGOLPES CAPOT	
15	80027	MANIGLIONE RIVER HANDLE, RIVER GRIFF, RIVER POIGNEE RIVER MANIJA RIVER	
16	41042	SPESSORE ADESIVO PANNELLI LATERALI LP STICKY DOOR SIDE THICKNESS KLEBENPER SCHLEGER TEMPON ADHÉSIF ESPEMORE ADHESIVO PANELES LATERALES LP	
17	80240	TELAIO PORTACESTO CAPOT D1000 FRAME, RACK-HOLDER CAPOT D1000 RAHMEN, KORBHALTER DURCHSCHUBSPÜLAUTOM. D1000 CHASSIS PORTE-CASIER CAPOT D1000 BASTIDOR PORTACESTA CAPOT D1000	

18	80071	PANNELLO LATERALE SX PG FINI PANEL, SIDE LH PG PLATTE, SEITL. LINKS PG MASCHINENF. PANNEAU LATERAL GAUCHE PG FINI PANEL LATERAL IZDA PG ACAB.	
19	80072	PANNELLO LATERALE DX PG FINITO PANEL, SIDE RH PG PLATTE, SEITL. RECHTS PG MASCH. PANNEAU LATERAL DROITE PG FINI PANEL LATERAL DCHA PG ACABALO	
20	80078	SQ. FISSAGGIO SOTTOPIANI GOLD PG FINITO BRACK., UNDER-SHELVES FIX. GOLD PG FINISHED BEF.WINKEL, UNTERABLAGEF. GOLD PG MASCHINENFERTIG EQ. FIXATION SOUS-ETAGERES GOLD PG FINI ESC. FIJACION APOYOS SUPERFICIES GOLD PG	
21	926117	PIEDE REGOLABILE X CAPOTT.3LINEA (REGOLABILE 160-225M) FOOT, ADJUST. X CAPOTT.3LINE VERSTELLFUSS X HAUB.3LEIT. PIED REGLABLE POUR CAPOT.3LIGNE PATA REGULABLE X CAPOTA 3LINEA	
22	69098	PANNELLO FRONTALE STARTECH 805 FRONTPANEL STARTECH 805 FRONTPANEEL STARTECH 805 PANNEAU AVANT STARTECH 805 PANEL FRONTAL STARTECH 805	

vsezip.ru

+7(812)987-08-81



Listino componenti per pagina 2

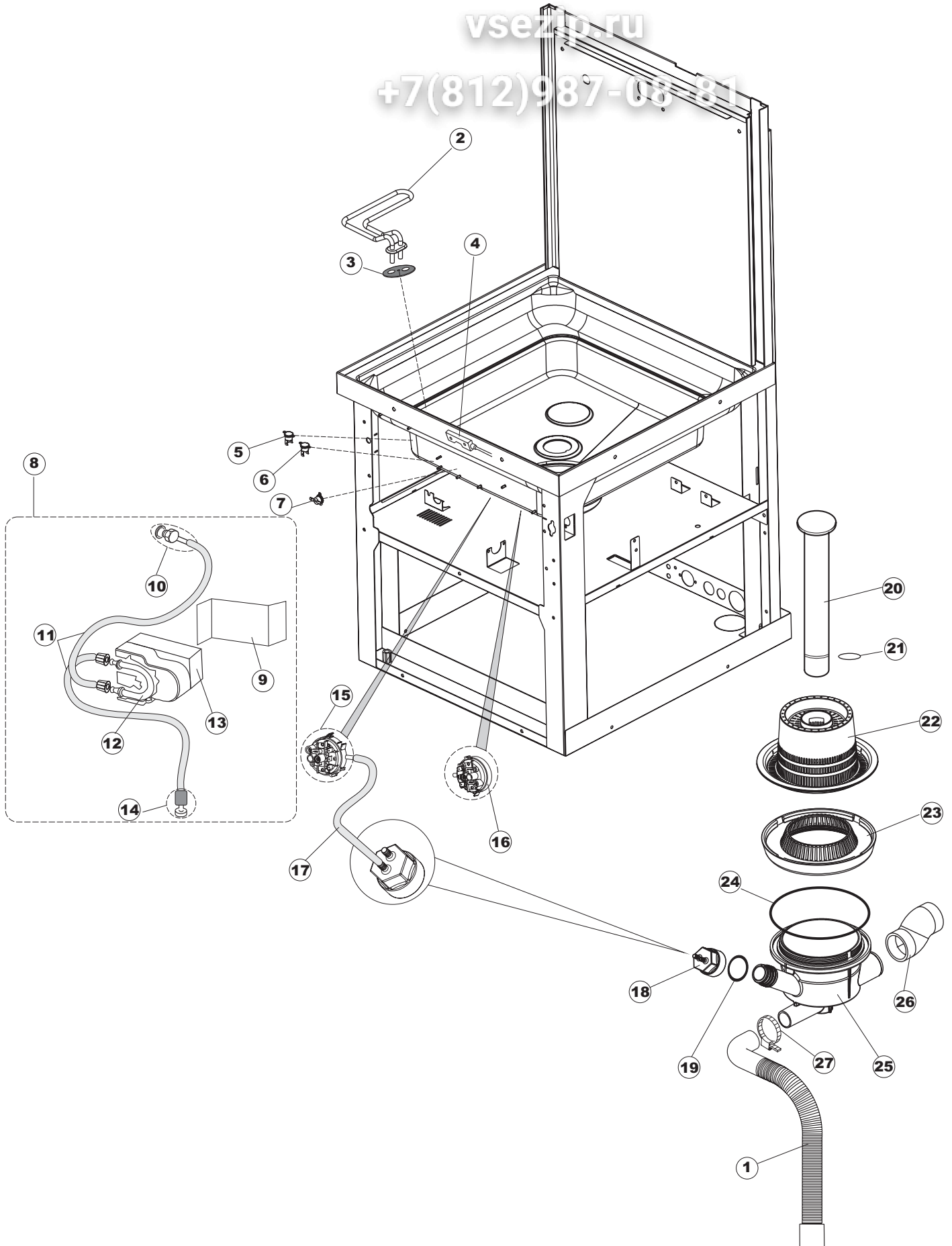
Зип Общепит

1	214086	PROTEZ.EL.TELA TRASP.463/503 EL.PROTECTION,TRASP.CANVAS 463/503 EL.SCHUTZ,DURCHS.GEWEBE 463/503 PROTECT.EL.TOILE TRANSP.463/503 PROT. EL. TELA TRANSP. 463/503 VER COD. 214108	
2	236043	TERMOSTATO BOILER TR711 Tf-83ø THERMOSTAT, BOILER TR711 Tf-83ø THERMOSTAT, BOILER TR711 Tf-83ø THERMOSTAT CHAUDIERE TR711 Tf-83ø TERMOSTATO CALENTADOR TR711 Tf-83ø	
3	69041	PANNELLO IMPIANTO PANEL PANEEL PANNEAU PANEL INSTALACIÓN	
4	80350	CONTACT 230-50/60HZ 3RT1016-1AP01 CONTACT, 230-50/60HZ 3RT1016-1AP01 KONTAKT, 230-50/60HZ 3RT1016-1AP01 CONTACT 230-50/60HZ 3RT1016-1AP01	
5	H.228048	* CHIUSURA PORTA-FUSIBILE * CLAMPING FOR FUSE-HOLDER * SICHERUNGSTRAGER-VERSCHLUSS * COUVERTURE PORTE-FUSIBLE * CIERRE PORTAFUSIBLE	
6	228010	FUSIBILE 5X20 4A FAST FUSE 5X20 4A FAST SICHERUNG 5X20 T4A FUSIBLE5X20 T4A FUSIBLE 5X20 T4A RETARDADO 250V	
7	H.228047	* PORTA-FUSIBILE * FUSE-HOLDER *SICHERUNGSTRAGER * PORTE-FUSIBLE * PORTAFUSIBLE	
8	215029	SCHEDA IGEA CONTROLLO SOST. DA 215038 MAIN BOARD KARTE CARTE ELECTRONIQUE TARJETA IGEA CONTROL ELT.LA50 IBRIDA	
9	DER111	RELE 30A 230AC 653182300300 RELAY 30A 230AC 653182300300 RELAIS 30A 230AC 653182300300 RELAIS 30A 230AC 653182300300 VER CODIGO 229029	
11	69063	SUPPORTO MORSETTIERA SUPPORT TERMINAL UNTERSTÜTZUNG TERMINAL TERMINAUX DE SOUTIEN SOPORTE BORNERO	
12	214088	PROTEZ.ELETTR.TRASP.CL.3 EL.PROTECTION,TRANSP.CL.3 EL.SCHUTZ,TRANSP.KL.3 PROTECT.ELECTR.TRANSP.CL.3 PROTECCION ELECTR. TRANSP. CL. 3	
13	220011	* MORSETTIERA 5.POLI + TERRA FV.122 * TERMINAL BOARD, 5-POLES + EARTH FV.122 * KLEMMENBRETT, 5-POLIG + ERDUNG FV.122 * PLAQUE A BORNE 5POLES + TERRE FV.122 * BORNERO 5. POLOS + TIERRA FV. 122	
14	929103	PRESSACAVO PG16 PASSO (BER 4716) CABLE GLAND PG16 PITCH (BER 4716) KABELSCHELLE PG16 STEIGUNG (BER 4716) SERRE CABLE PG16 PAS (BER 4716) SUJETA-CABLE PG16 PASO (BER 4716)	
15	80997	CAVO ALIMENTAZIONE MAIN CABLE ANSCHLUSSKABEL 400V CÂBLE ÉLECTRIQUE CABLE ALIMENTACION 5X2,5MM (H07RN-F)	
16	69906	MASCHERINA AMIKA 8XL MASK AMIKA 8XL MASKE AMIKA 8XL MASQUE AMIKA 8XL MASCARILLA AMIKA 8XL	

17	208010	DEVIATORE DOPPIO - 35/40/50 SWITCH, DOUBLE - 35/40/50 ABLENKER, DOPPELT - 35/40/50 COMMUTATEUR DOUBLE - 35/40/50 DESVIADOR DOBLE - 35/40/50	
18	226102	STRUTTURA FISSA CM X TASTO ELLITTICO FIX FRAME CM FOR ELLIPTIC.KEY FESTES GESTELL CM FÜR ELLIP.TASTE STRUCTURE FIXE CM POUR TOUCHE ELLIPTIQUE ESTRUCTURA FIJA CM X TECLA ELIPTICA	
19	226120	CORPO PULS.ELLITT.GRIGIO 7015 11X21 ELLIPTICAL, GRAY PUSHBUTTON BODY ELLIPTISCHE, GRAUE DRUCKTASTENGEHAEUSE CORPS BOUTON POUSSOIR ELLIPTIQUE GRIS CUERPO PULS.ELIPT.GRIS 7015 11X21	
20	227077	TASTO ELLITTICO CROMATO 11X21 ELLIPTICAL PUSH-BUTTON TECLA ELIPTICA CROMADA 11X21	
21	216029	LAMPADA SPIA TB/06/SQ3 ARANCIO WARNING LAMP, TB/06/SQ3 ORANGE KONTROLL-LAMPE, TB/06/SQ3 ORANGE LAMPE-TEMOIN TB/06/SQ3 ORANGE LAMPARA TESTIGO TB/06/SQ3 NARANJA	
22	80995	CAVO ALIMENTAZIONE 4X4MM (H07RN-F) CABLE, FEED. 4X4MM (H07RN-F) STROMKABEL 4X4MM (H07RN-F) CABLE ALIMENTATION 4X4MM (H07RN-F) CABLE ALIMENTACION 4X4MM (H07RN-F)	230V 3PH

vsezip.ru

+7(812)987-08-81



Listino componenti per pagina 3

Зип Общепит

vsezip.ru

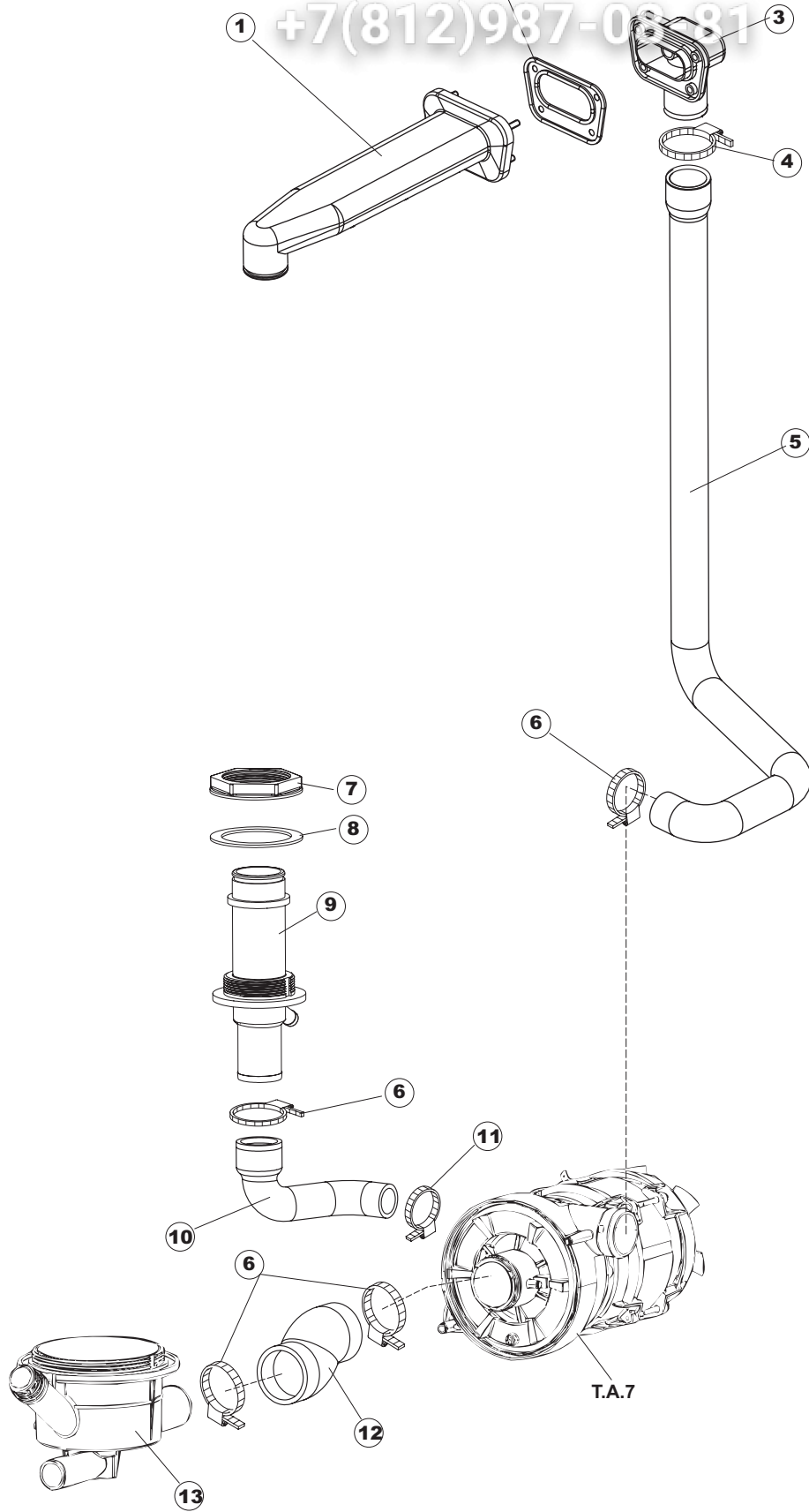
7(812)987-08-81

1	143252	TUBO SCARICO LA50 DRAIN HOSE ABLAUFLEITUNG TUYAU VIDANGE TUBO DESCARGA LA50	
2	230112	RESISTENZA V 1400W-230V - LA50 HEATING ELEMENT WIDERSTAND RÉSISTANCE ÉLECTRIQUE RESISTENCIA V.1400W-230V.LA50	
3	437086	GUARNIZIONE RESISTENZA VASCA GASKET, TANK RESISTANCE DICHTUNG, TANKWIDERSTAND JOINT RESISTANCE CUVE JUNTA RESISTENCIA CUBETA	
6	926189	TERMOSTATO BOILER SIC.95ø THERMOSTAT, BOILER, SAF.95ø SICHERHEITSTHERMOSTAT BOILER 95° THERMOSTAT CHAUDIERE SEC. 95ø TERMOSTATO CALENTADOR SEG. 95ø	
7	236035	TERM.CONTATTO /L.60ø+/-3ø(2611573) THERM.,CONT. /L.60ø+/-3ø(2611573) THERM.,KONT. /L.60ø+/-3ø(2611573) THERM.CONTACT /L.60ø+/-3ø(2611573) TERM.CONTACTO /L.60°+/-3°(2611573)	
8	41953	KIT DOSATORE DETERGENTE REG. MANUALE KIT KIT KIT KIT DOSIF. DETERGENTE REG. MANUAL	Optional
9	69030	SQUADRA SUPPORTO DOSATORE PIEGATO FINITO ESC SOPORTE DOSIFICADOR PG ACABADO	Optional
10	468151	RACCORDO ENTRATA SAPONE CPL NM * SALDATO UNION, EXTRA DET. CPL NM * WELDED TANKEINLAUF CPL NM* RACCORD ENTREE SAVON CPL NM * SOUDE EMPALME ENTRADA JABON CPL NM * SOLDADO	Optional
11	143194	TUBO 4x6 CRISTAL TRASPARENTE PIPE 4x6 CRISTAL. TRANSP. SCHLAUCH 4X6 CRISTAL, DURCHS. TUYAU 4x6 CRISTAL TRANSPARENT TUBO 4x6 CRISTAL TRASPARENTE	Optional
12	143219	TUBETTO SANTOPRENE 6X10 RACCORDI+GHIERE TUBE, SANTOPRENE 6X10 FITTINGS+METAL RINGS MEMBRANSCHLAUCH SANTOPREN TUBE SANTOPRENE 6X10 RACC.+COLL.DE SERR. TUBITO SANTOPRENE 6X10 EMPALMES+VIROLAS	Optional
13	209021	DOSAT.PERIST.DETERGENTE REG. PERISTALTIC DISPENSER (NBR-3) DOSIERUNG PERISTALTIK DOSAGE PÉRISTALTIQUE DOSIFIC. PERIST.DETERGENTE REG.	
15	224025	PRESSOSTATO 105/125 MAIN PRESSURE SWITCH 105/125 ARBEITSDRUCKWAECHTER 105/125 PRESSOSTAT DE TRAVAIL 105/125 PRESOSTATO 105/125 TRABAJO	
16	224023	PRESSOSTATO-165/140 MAIN PRESSURE SWITCH 165/140 ARBEITSDRUCKWAECHTER 165/140 PRESSOSTAT DE TRAVAIL 165/140 PRESOSTATO-165/140	Drain pump
17	143131	TUBO GOMMA PIPE SCHLAUCH FUER DRUCKSCHALTER TUYAU VER CODIGO 143005	
18	107013	CAMPANA PRESSOSTATO PRESSURE SWITCH AIR BELL LUFT-GLOCKE DES DRUCKSCHALTERS CLOCHE PRESSOSTAT CAMPANA PRESOSTATO LA50	

19	456073	OR(50825)CAMPANA PRESS.LA50 O-RING O-RING O-RING OR(50825)CAMPANA PRES.LA50	2x
20	142058	TROPPO PIENO LA50 OVERFLOW PIPE LA50 UEBERLAUFROHR LA50 BONDE DE SURVERSE LA50 REBOSE LA50	
21	456081	O-RING O-RING O-RING O-RING OR 2.62X28.25(12627)VITON 80SH LA50	
22	121120	FILTRO BASE COMPLETO LA50 FILTER COMPLETE SIEB FILTRE COMPLETE FILTRO BASE COMPLETO LA50	
23	429072	GHIERA CORPO ASPIR./SCARICO LA50 GEWINDERING ZWINGE VIROLE VIROLA CUERPO ASPIR./DESCARGA LA50	
24	456076	OR.D.I.135.9X5.33 ART.53125 OR.D.I.135.9X5.33 ART.53125 TORISCHE DICHTUNG D.I.135.9X5.33 JOINT TORIQUE D.I.135.9X5.33 OR.D.I.135.9X5.33 ART.53125	
25	136028	CORPO ASPIR./SCARICO LA50 ASPIRATION AND DRAIN BODY LA50 ABSAUG-UND ABFLUSSKOERPER LA50 CORPS D'ASPIRATION/VIDANGE LA50 CUERPO ASPIR./DESCARGA LA50	
26	127082	MANICOTTO ASPIRAZIONE MANCHON REFOULEMENT RINÇAGE NACHSPUEL-FOERDERUNGSBOGEN COUDE APIRATION MANGUITO ASPIRACION	
27	CFS1	FASCETTA A VITE TORRO 35-50/9 CLAMP, HOSE-TYPE TORRO 35-50/9 SCHLAUCHSCHELLE TORRO 35-50/9 BANDE DE SERRAGE A VIS TORRO 35-50/9 ABRAZADERA CON TORNILLO TORRO 35-50/9	

vsezip.ru

+7(812)987-08-81



Listino componenti per pagina 4

Зип Общепит

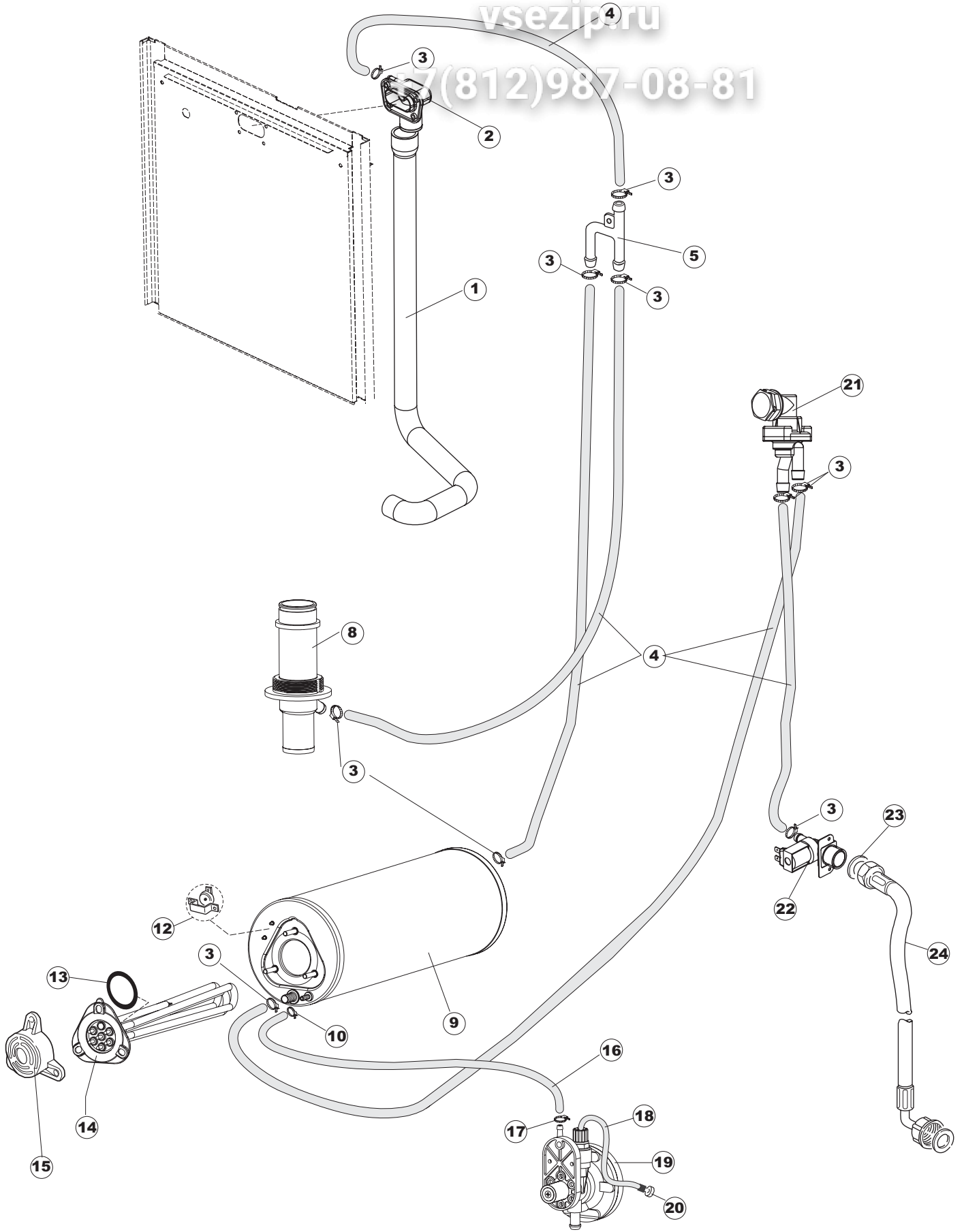
1	80177	CONDOTTO LAVAGGIO SUP.RIVER PIPELINE - WASHING, UPPER RIVER LEITUNG - SPÜLEN, OB. RIVER CONDUITE LAVAGE SUP.RIVER CONDUCTO LAVADO SUP. RIVER	
2	80178	GUARNIZIONE GASKET DICHTUNG JOINT JUNTA	
3	80174	RACCORDO LAV.SUP.EXT.GOLD (COL.NEUTRO) UNION, WASH.UPP.OUTS.GOLD (NEUTRAL COL.) VERBINDUNGSST., OB.SPÜL. AUSS.GOLD (NEUTR. FARBE) RACCORD LAV.SUP.EXT.GOLD (COL.NEUTRE) EMPALME LAV. SUP. EXT. GOLD (COL. NEUTRO)	
4	CFS1A	FASCETTA A VITE TORRO W1/W2B 40-60/12 CLAMP, HOSE-TYPE TORRO W1/W2B 40-60/12 SCHELLE, SCHRAUBE TORRO W1/W2B 40-60/12 BANDE DE SERRAGE A VIS TORRO W1/W2B 40-60/12 ABRAZ. CON TORNILLO TORRO W1/W2B 40-60/12	
5	69020	TUBO MANDATA LAVAGGIO SUPERIORE CAPOT FLOW HOSE DRUCKSCHLAUCH TUYAU DE REFOULEMENT TUBO IMPULSION LAVADO SUPERIOR CAPOT	
6	CFS1	FASCETTA A VITE TORRO 35-50/9 CLAMP, HOSE-TYPE TORRO 35-50/9 SCHLAUCHSCHELLE TORRO 35-50/9 BANDE DE SERRAGE A VIS TORRO 35-50/9 ABRAZADERA CON TORNILLO TORRO 35-50/9	
7	429073	GHIERA FISSA CONDOTTO INF.LA50 GEWINDERING MUTTER VIROLE VIROLA FIJA CONDUCTO INF.LA50	
8	437102	GUARNIZIONE CONDOTTO INFER.LA50 GASKET DICHTUNG JOINT JUNTA CONDUCTO INFER.LA50	
9	115143	CONDOTTO CENTRALE INF.LA50 TAPPO DOS. UPPER CENTRAL PIPE LA50 ZENTRALLEITUNG OBEN LA50 CONDUIT CENTRAL INFERIEUR LA50 CONDUCTO CENTRAL INF.LA50 TAPON DOSIF.	
10	127085	MANICOTTO MANDATA INF.LA50 PUMP INTAKE COUPLING LA50 SAUGMUFFE PUMPE LA50 MANCHON ASPIRATION POMPE LA50 MANGUITO IMPULSION INF.LA50	
11	423008	FASCETTA D20X32X9 TIPO TORRO ACC.W1 CLAMP, D20X32X9 TYPE TORRO ACC.W1 SCHLAUCHSCHELLE D20X32X9 TYP TORRO ACC.W1 BANDE DE SERR. D20X32X9 TYPE TORRO ACC.W1 ABRAZADERA D20X32X9 TIPO TORRO ENC. W1	
12	127082	MANICOTTO ASPIRAZIONE MANCHON REFOULEMENT RINÇAGE NACHSPUEL-FOERDERUNGSBÖGEN COUDE APIRATION MANGUITO ASPIRACION	
13	136028	CORPO ASPIR./SCARICO LA50 ASPIRATION AND DRAIN BODY LA50 ABSAUG-UND ABFLUSSKOERPER LA50 CORPS D'ASPIRATION/VIDANGE LA50 CUERPO ASPIR./DESCARGA LA50	

usezip.ru

+7(812)987-08-81

vsezip.ru

7(812)987-08-81



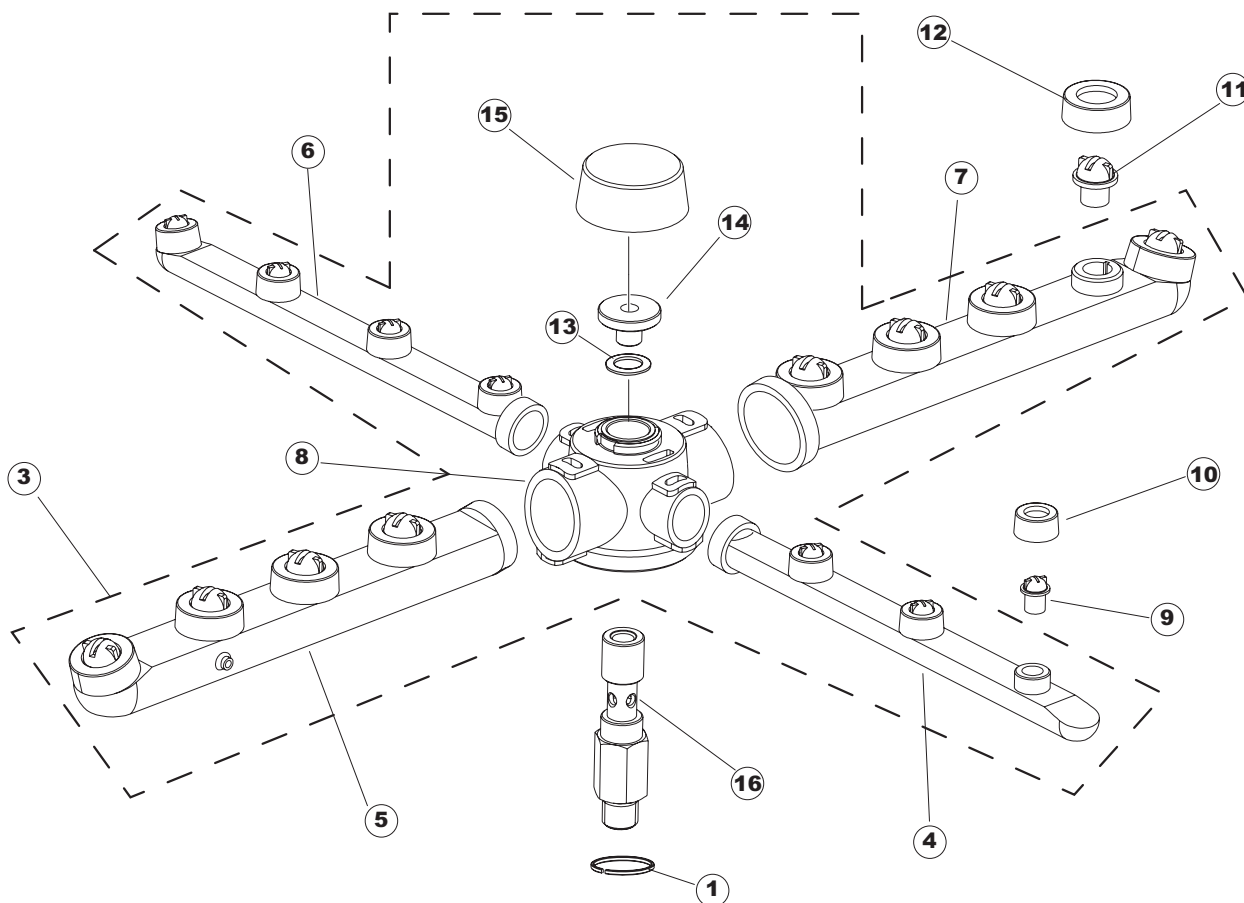
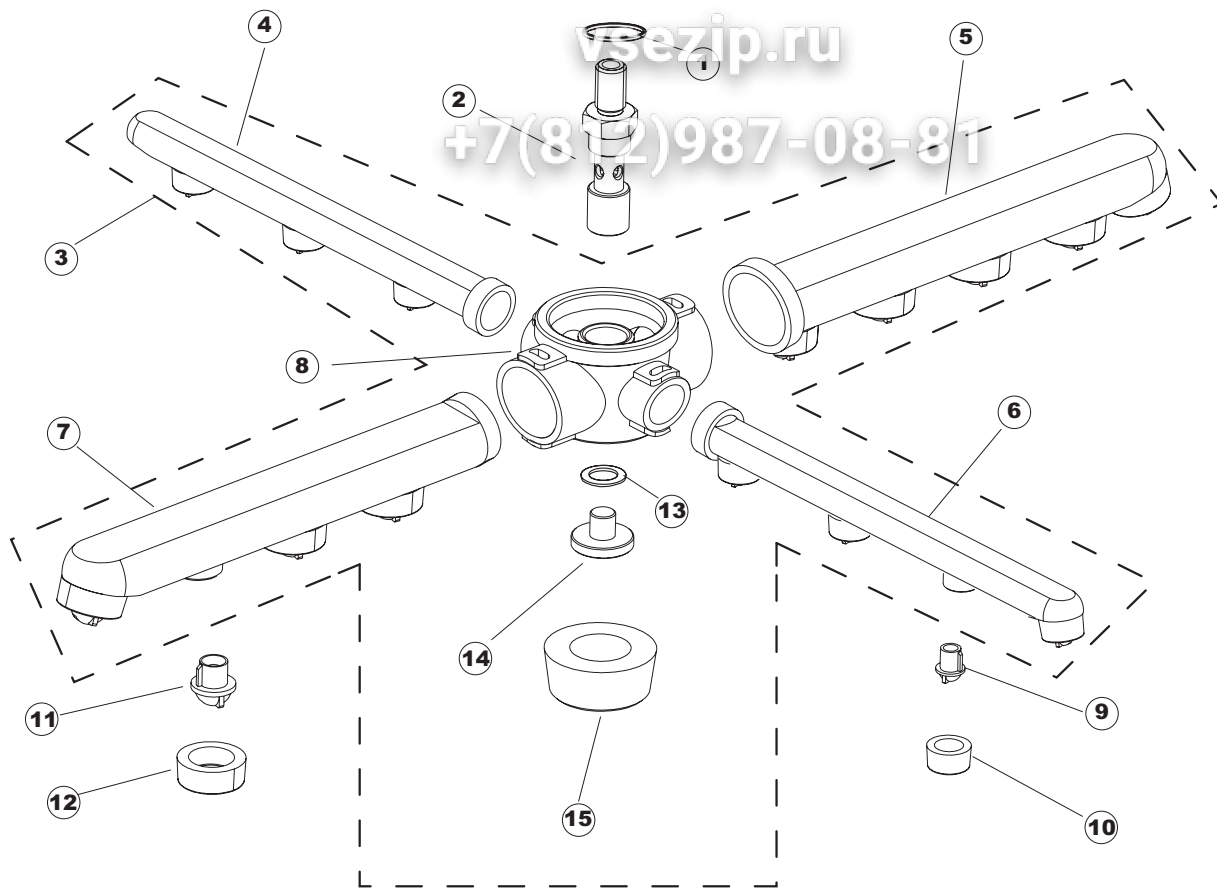
Listino componenti per pagina 5

1	69020	TUBO MANDATA LAVAGGIO SUPERIORE CAPOT FLOW HOSE DRUCKSCHLAUCH TUYAU DE REFOULEMENT TUBO IMPULSION LAVADO SUPERIOR CAPOT	
2	80174	RACCORDO LAV.SUP.EXT.GOLD (COL.NEUTRO) UNION, WASH.UPP.OUTS.GOLD (NEUTRAL COL.) VERBINDUNGSST., OB.SPÜL. AUSS.GOLD (NEUTR. FARBE) RACCORD LAV.SUP.EXT.GOLD (COL.NEUTRE) EMPALME LAV. SUP. EXT. GOLD (COL. NEUTRO)	
3	927322	FASCETTA NASTRO 14-24 CLAMP, TAPE 14-24 SCHLAUCHSCHELLE 12-22 BANDE DE SERRAGE CONVOYEUR 14-24 ABRAZADERA CINTA 12-22	
4	143010	TUBO PRESS.TP 12X19.5 PIPE, PRESSURE SWITCH TP 12X19.5 ROHR, DRUCKSCHALTER TP 12X19.5 TUYAU PRESS.TP 12X19.5 TUBO PRES. TP 12X19. 5	
5	143173	GIUNZIONE RISC.PLAST - SOS DA 143268 JOINT, RINSE PLAST.35/40/50 VERBIND., NACHSPÜLEN KUNST.35/40/50 JOINT RINC.PLAST.35/40/50 UNION ENJUAGUE PLAST. 35/40/50	
7	927322	FASCETTA NASTRO 14-24 CLAMP, TAPE 14-24 SCHLAUCHSCHELLE 12-22 BANDE DE SERRAGE CONVOYEUR 14-24 ABRAZADERA CINTA 12-22	
8	115143	CONDOTTO CENTRALE INF.LA50 TAPPO DOS. UPPER CENTRAL PIPE LA50 ZENTRALLEITUNG OBEN LA50 CONDUIT CENTRAL INFERIEUR LA50 CONDUCTO CENTRAL INF.LA50 TAPON DOSIF.	
9	104060	BOILER BOILER BOILER SURCHAUFFEUR LA50 CALENTADOR LA50	
10	423010	FASCETTA D8X12X7,5 TIPO TORRO ACC.W2 CLAMP, D8X12X7,5 TYPE TORRO ACC.W2 SCHELLE, D8X12X7,5 TYP TORRO ACC.W2 BANDE DE SERR. D8X12X7,5 TYPE TORRO ACC.W2 ABRAZADERA D8X12X7,5 TIPO TORRO ENC. W2	
11	927322	FASCETTA NASTRO 14-24 CLAMP, TAPE 14-24 SCHLAUCHSCHELLE 12-22 BANDE DE SERRAGE CONVOYEUR 14-24 ABRAZADERA CINTA 12-22	
12	926189	TERMOSTATO BOILER SIC.95ø THERMOSTAT, BOILER, SAF.95ø SICHERHEITSTHERMOSTAT BOILER 95° THERMOSTAT CHAUDIERE SEC. 95ø TERMOSTATO CALENTADOR SEG. 95ø	
13	456002	OR 48x6,2 O-ring 48x6,2 O-Ring 48x6,2 OR 48x6,2 OR 48x6,2	
14	230117	RESISTENZA BOILER 7600W/400V HEATING ELEMENT 7600W/400V HEIZUNG 7600W/400V RESISTANCE 7600W/400V RESISTENCIA CALENTADOR 7600W/400V(LA50)	
15	69870	PROTEZIONE RESISTENZA BOILER BOILER HEATING ELEMENT PROTECTION HEIZUNGSSCHUETZ DES WARMWASSERBEREITERS PROTECTION RESISTANCE BOILER PROTECCION RESISTENCIA CALENTADOR	
16	143005	TUBO PRESS.TP 5x11 (CASER/15/NL C4N) PIPE, PRESSURE SWITCH TP 5x11 (CASER/15/NL C4N) SCHLAUCH TP 5X11 (CASER/15/NL C4N) TUYAU PRESS.TP 5x11 (CASER/15/NL C4N) TUBO PRES. TP 5x11 (CASER/15/NL C4N)	

17	423010	FASCETTA D8X12X7,5 TIPO TORRO ACC.W2 CLAMP, D8X12X7,5 TYPE TORRO ACC.W2 SCHELLE, D8X12X7,5 TYP TORRO ACC.W2 BANDE DE SERR. D8X12X7,5 TYPE TORRO ACC.W2 ABRAZADERA D8X12X7,5 TIPO TORRO ACC.W2	
18	H.775601	TUBO 4x6 CRISTAL BLUE PVC PIPE 4x6 CRISTAL BLUE PVC ROHR 4x6 CRISTAL BLAU PVC TUYAU 4x6 CRISTAL BLEU PVC TUBO 4x6 CRISTAL AZUL PVC	
19	209025	DOSATORE BRILLANTANTE RINSE AID DISPENSING PUMP DOSIERPUMPE KLARSPUELER POMPE DOSEUR PR.RINÇAGE BOMBA DOSIFICADOR ABRILL.(BP)DIEB0805E	
21	144010	DISPOSIT.A/R.(EB) VEDI 144010NT CHECK VALVE (EB) W/DRAIN SEE 144010NT RÜCKSCHLAGVORR.(EB) DISPOSIT.A/R.(EB) AVEC RACCORD DE VIDANGE DISPOSIT. A/R. (EB) CON EMPALME ALIVIAD.	
22	240016	VALVOLA DI CARICO 1VIA 3/4 230V PARZ.16L LOADING S.VALVE 1-WAY 3/4 230V PART.16L ZUFLUSSVENTIL 1-WEG 3/4 230V DROSS.16L SOUPAPE DE CHARG. 1VOIE 3/4 230V PARZ.16L VALVULA DE CARGA 1VIA 3/4 230V PARC. 16L	
23	437041	GUARNIZIONE 3/4 GAS CARICO GASKET 3/4 GAS LOAD DICHTUNG 3/4 GASVERSORG. JOINT 3/4 GAZ VID. JUNTA 3/4 GAS CARGA	
24	929169	TUBO DI CARICO DEL TERMOPLASTICO PIPE, THERMOPLASTIC DELIVERY ZULAUFSCHLAUCH, WASSER THERMOPLAST TUYAU DE CHARG. DU THERMOPLASTIQUE TUBO DE CARGA DEL TERMOPLASTICO	

vsezip.ru

+7(812)987-08-81

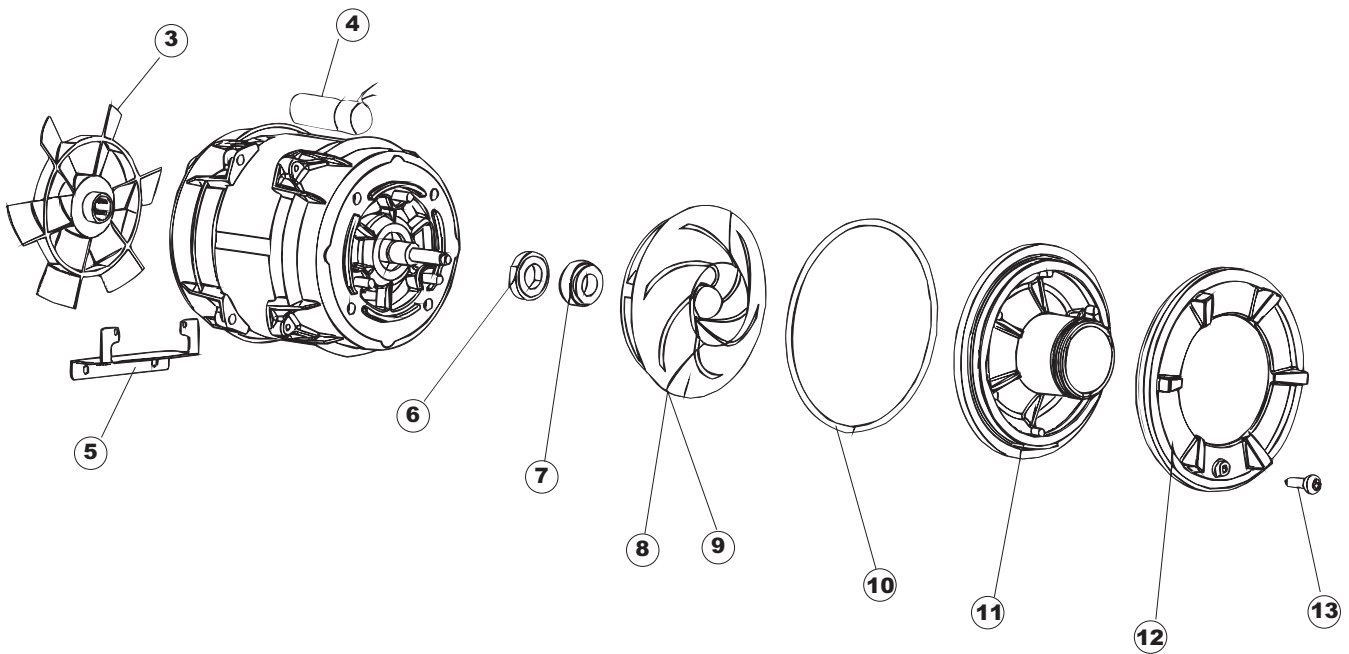
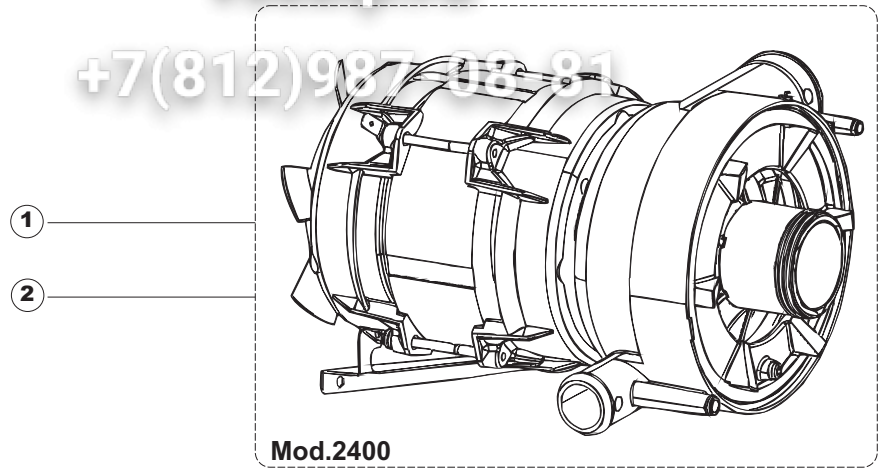


Listino componenti per pagina 6

1	303037	ANELLO DI TENUTA LAVAGGIO X5 RING RING BAGUE ANILLO DE ESTANQ. LAVADO X5	
2	79023	PERNO SUPERIORE LAVAGGIO/RISCIACQUO C600-PS60 UPPER PIN C600-PS60 OBERZAPFEN C600-PS60 PIVOT SUPERIEUR C600-PS60 PERNO SUP.LAV/ENJUAGUE C600-PS60	
3	79040	LANCIA INTEGRATA LAV/RISC. C600-PS60 INTERGRATED WASH/RINSE ARM LANZA INTEGRADA LAVADO/ENJUAGUE. C600-PS60	
4	106007	BRACCIO RISCIACQUO DX S651-850 RINSE ARM, RH S651-850 NACHSPÜLARM, RECHTS S651-850 BRAS RINCAGE, DROITE S651-850 BRAZO ENJUAGUE DCHA S651-850	
6	106005	BRACCIO RISCIACQUO SX S651-850 RINSE ARM, LH S651-850 NACHSPÜLARM, LINKS S651-850 BRAS RINCAGE, GAUCHE S651-850 BRAZO ENJUAGUE IZDA S651-850	
8	79021	CORPO LANCIA LAVAGGIO/RISCIACQUO BODY FOR ROTATING WASH/RINSE ARM KOERPER FUER DREH-WASCH/NACHSPUELUNGSARM CORPS TOURNIQUET DE LAVAGE-RINCAGE CUERPO LAN ROTOR LAV/ENJUAGUE C600-PS60	
9	140007	SPRUZZO RISCIACQUO S621-3-31- SPRAY S621-3-31- SPRITZ S621-3-31- JET RINCAGE S621-3-31- ROCIADOR ENJUAGUE S621-3-31-	
10	429006	GHIERA RISCIACQUO S621-3-31-3 RING NUT, RINSE S621-3-31-3 GEWINDERING, NACHSPÜLEN S621-3-31-3 BAGUE RINCAGE S621-3-31-3 VIROLA ENJUAGUE S621-3-31-3	
11	140020	SPRUZZO LAVAGG. GRIGIO 11/353/403 SPRAY, GREY 11/353/403 SPRITZ, GRAU 11/353/403 JET LAVAGE GRIS 11/353/403 ROCIADOR LAVADO GRIS 11/353/403	
12	429007	GHIERA LAVAGGIO S621-3-31-3 RING NUT, WASHING S621-3-31-3 GEWINDERING, SPÜLEN S621-3-31-3 BAGUE LAVAGE S621-3-31-3 VIROLA LAVADO S621-3-31-3	
13	437100	GUARNIZIONE D20D10S0.5 PTFE G400 PACKING DICHTUNG JOINT JUNTA D20D10S0.5 PTFE G400	
14	454002	NOTTOLINO 21/31 PAWL 21/31 KLINKE 21/31 CLIQUET 21/31 TRINQUETE 21/31	
15	447128	MANOPOLA FISSA LAVAGGIO GRIGIA KNOB, FIX, WASH. GREY DREHKNOPF, FEST SPÜL. GRAU POIGNEE FIXE LAVAGE GRISE MANIJA FIJA LAVADO GRIS	
16	69285	PERNO IN ACCIAIO INOSSIDABILE PIVOT ZAPFEN PIVOT PERNO LAVADO/ENJUAGUE	

vsezip.ru

+7(812)987-08-81



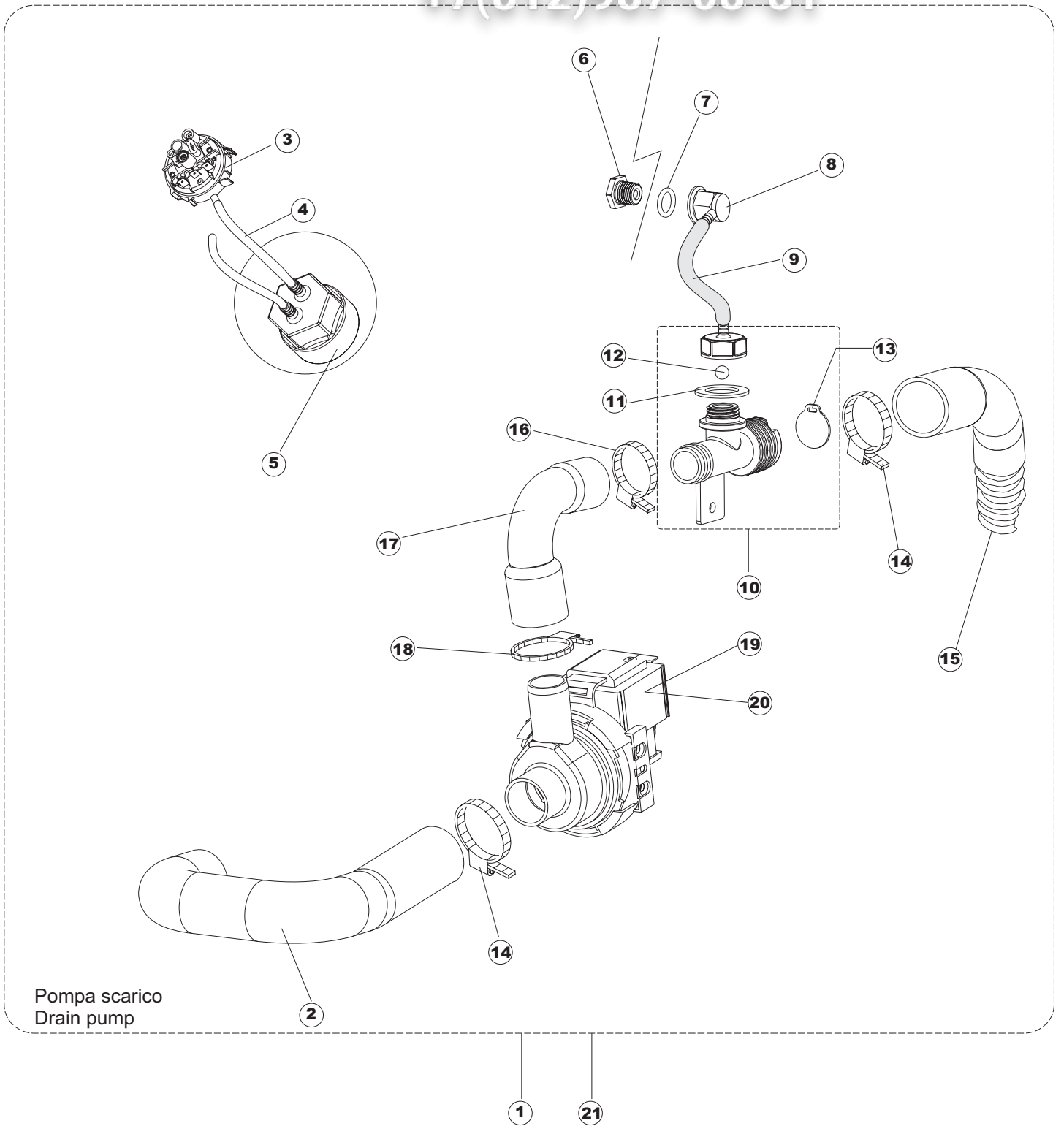
Listino componenti per pagina 7

Зип Общепит

vsezip.ru

7(812)987-08-81

2	69120HZ	ELETTROPOMPA MONOFASE 500W 60HZ ELECTROPUMP ELEKTROPUMPE ELECTROPOMPE ELECTROBOMBA 500W 60HZ	
3	335015	VENTOLA POMPA 2400 FAN LUFERRAD VENTILATEUR ROTOR BOMBA 2400	
4	206002	CONDENSATORE DA 10 mF CONDENSER - 10 mF KONDENSATOR - 10 mF CONDENSATEUR DE 10 mF CONDENSADOR DE 10 mF	
5	69400	STAFFA POMPA LA50 PUMP SUPPORT PUMPENTRÄGER SUPPORT DE LA POMPE SOPORTE BOMBA LA50 PG ACABADO	
6	141008	TENUTA MECCANICA PER POMPA DI LAVAGGIO PER LAVABICI WASH PUMP SHAFT SEAL FOR GLASSWASHER MECHANISCHE DICHTUNG FUER WASCHPUMPE DER GLAESE ETANCHEITE' DE LA POMPE DE LAVAGE POUR LAVE-VERRES SELLO MEC.FISJO BOMBA	
7	141009	TENUTA MECCANICA PER POMPA DI LAVAGGIO PER LAVABICI WASH PUMP SHAFT SEAL FOR GLASSWASHER MECHANISCHE DICHTUNG FUER WASCHPUMPE DER GLAESE ETANCHEITE' DE LA POMPE DE LAVAGE POUR LAVE-VERRES SELLO MEC.GIRAT. BOMBA(0142R)	
8	124057	GIRANTE+INSERTO POMPA(2398R) IMPELLER PUMPENFLUEGEL TURBINE ROTOR+ELEMENTO BOMBA	
9	124060	GIRANTE+INSERTO POMPA(2398R)60HZ IMPELLER PUMPENFLUEGEL TURBINE ROTOR+ELEM. BOMBA(2398R)60HZ	
10	456078	OR.POMPA(2402R)3.53X170.5 OR.PUMP (2402R)3.53X170.5 TORISCHE DICHTUNG JOINT TORIQUE OR.BOMBA 3.53X170.5	
11	480148	TAPPO CHIOCCIOLA POMPA(2399R) PUMP CAP DECKEL PUMPE BOUCHON POMPE TAPON ESPIRAL BOMBA	
12	429074	GHIERA FILETTATA POMPA(2434R) NUT RING DOUILLE VIROLA ROSCADA BOMBA	
13	486242	VITE 3.5X13 TBC UNI6954(0062R) SCREW 3.5X13 SCHRAUBE 3.5X13 VIS 3.5X13 TORNILLO 3.5X13 TBC UNI6954	



Listino componenti per pagina 8

Зип Общепит

vsezip.ru

(7912)987-08-81

1	69701	KIT POMPA SCARICO (50HZ) DRAIN PUMP KIT KIT FUR ABLAUFPUMPE KIT POMPE DE VIDANGE KIT BOMBA DESCARGA (50HZ)	
2	127087	MANICOTTO GOMMA POMPA SC.LA50 RUBBER COUPLING DRAIN PUMP MUFFE DURITE MANGUITO GOMA BOMBA DESC.LA50	
3	224023	PRESSOSTATO-165/140 MAIN PRESSURE SWITCH 165/140 ARBEITSDRUCKWAECHTER 165/140 PRESSOSTAT DE TRAVAIL 165/140 PRESOSTATO-165/140	
4	143131	TUBO GOMMA PIPE SCHLAUCH FUER DRUCKSCHALTER TUYAU VER CODIGO 143005	
5	107014	CAMPANA PRESSOSTATO LA50 PRESSURE SWITCH AIR BELL LA50 LUFT-GLOCKE DES DRUCKWAECHTERS LA50 CLOCHE AIR PRESSOSTAT LA50 CAMPANA PRESOSTATO LA50	
6	429076	GHIERA VALVOLA SFIATO PS LA50 VENT VALVE RING ENTLÜFTUNGSVENTIL RING ANNEAU DE LA VALVE ÉVENT VIROLA VALVULA ALIVIAD. PS LA50	
7	456020	OR 3050 R495 O-ring 3050 R495 O-Ring 3050 R495 OR 3050 R495 OR 3050 R495	
8	468029	RACCORDO CAMPANA PRESSOSTATO UNION, PRESSURE SWITCH BELL VERBINDUNGSSTK. TANKEINLAUF RACCORD BOITE PRESSOSTAT EMPALME CAMPANA PRESOSTATO	
9	143013	TUBO PVC VERDE 4X7 PIPE, PVC GREEN 4X7 SCHLAUCH PVC GRUEN 4X7 TUYAU PVC VERT 4X7 TUBO PVC VERDE 4X7	
10	144995	GRUPPO VALVOLA DI SFIATO X PS LA50 DRAIN PUMP VENT VALVE LA50 LUFTLOCH-VENTIL DER ABFLUSSPUMPE LA50 SOUPAPE DE SOUPIRAL POMPE DE VIDANGE LA50 GR.VALVULA ALIVIAD. X PS LA50	
11	437083	GUARNIZIONE GOMMA D32D19.5S1.5 GASKET, RUBBER D32D19.5S1.5 DICHTUNG, GUMMI D32D19.5S1.5 JOINT CAOUTCHOUC D32D19.5S1.5 JUNTA GOMA D32D19. 5S1. 5	
12	476008	SFEROA VALVOLA LA50. HOST BALL VALVE KUGELHAHN VANNE À BILLE ESFERA VALVULA.LA50.HOST.D=5/16"	
13	499092	MEMBRANA VALVOLA SFIATO PS LA50 MEMBRANE BLENDE MEMBRANE VIDANGE LA50 MEMBRANA VALVULA ALIVIAD. PS LA50	
14	CFS1	FASCETTA A VITE TORRO 35-50/9 CLAMP, HOSE-TYPE TORRO 35-50/9 SCHLAUCHSCHELLE TORRO 35-50/9 BANDE DE SERRAGE A VIS TORRO 35-50/9 ABRAZADERA CON TORNILLO TORRO 35-50/9	
15	143252	TUBO SCARICO LA50 DRAIN HOSE ABLAUFLEITUNG TUYAU VIDANGE TUBO DESCARGA LA50	

16	423008	FASCETTA D20X32X9 TIPO TORRO ACC.W1 CLAMP, D20X32X9 TYPE TORRO ACC.W1 SCHLAUCHSCHELLE D20X32X9 TYP TORRO ACC.W1 BANDE DE SERR. D20X32X9 TYPE TORRO ACC.W1 ABRAZADERA D20X32X9 TIPO TORRO ACC.W1	
17	69071	GOMITO MANDATA POMPA SCARICO INTAKE COUPLING SAUGMUFFE MANCHON D'ASPIRATION CODO IMPULSION BOMBA DESCARGA	
18	CFS18	FASCETTA A VITE TORRO 20-32/9 CLAMP, HOSE-TYPE TORRO 20-32/9 SCHLAUCHSCHELLE 20-32/9 BANDE DE SERRAGE A VIS TORRO 20-32/9 ABRAZADERA CON TORNILLO TORRO 20-32/9	
19	80117	POMPA SCARICO RIVER DRAIN PUMP RIVER ABLASSPUMPE RIVER POMPE VIDANGE RIVER BOMBA DESCARGA RIVER	
20	80117HZ	POMPA SCARICO 240V/60HZ (DPS35-015) DRAIN PUMP 240V/60HZ (DPS35-015) ABLASSPUMPE 240V/60HZ (DPS35-015) POMPE VIDANGE 240V/60HZ (DPS35-015) BOMBA DESCARGA 240V/60HZ VER 80117 UL	
21	69701HZ	KIT POMPA SCARICO (60HZ) DRAIN PUMP KIT KIT FUR ABLAUFpumpe KIT POMPE DE VIDANGE KIT BOMBA DESCARGA (60HZ)	