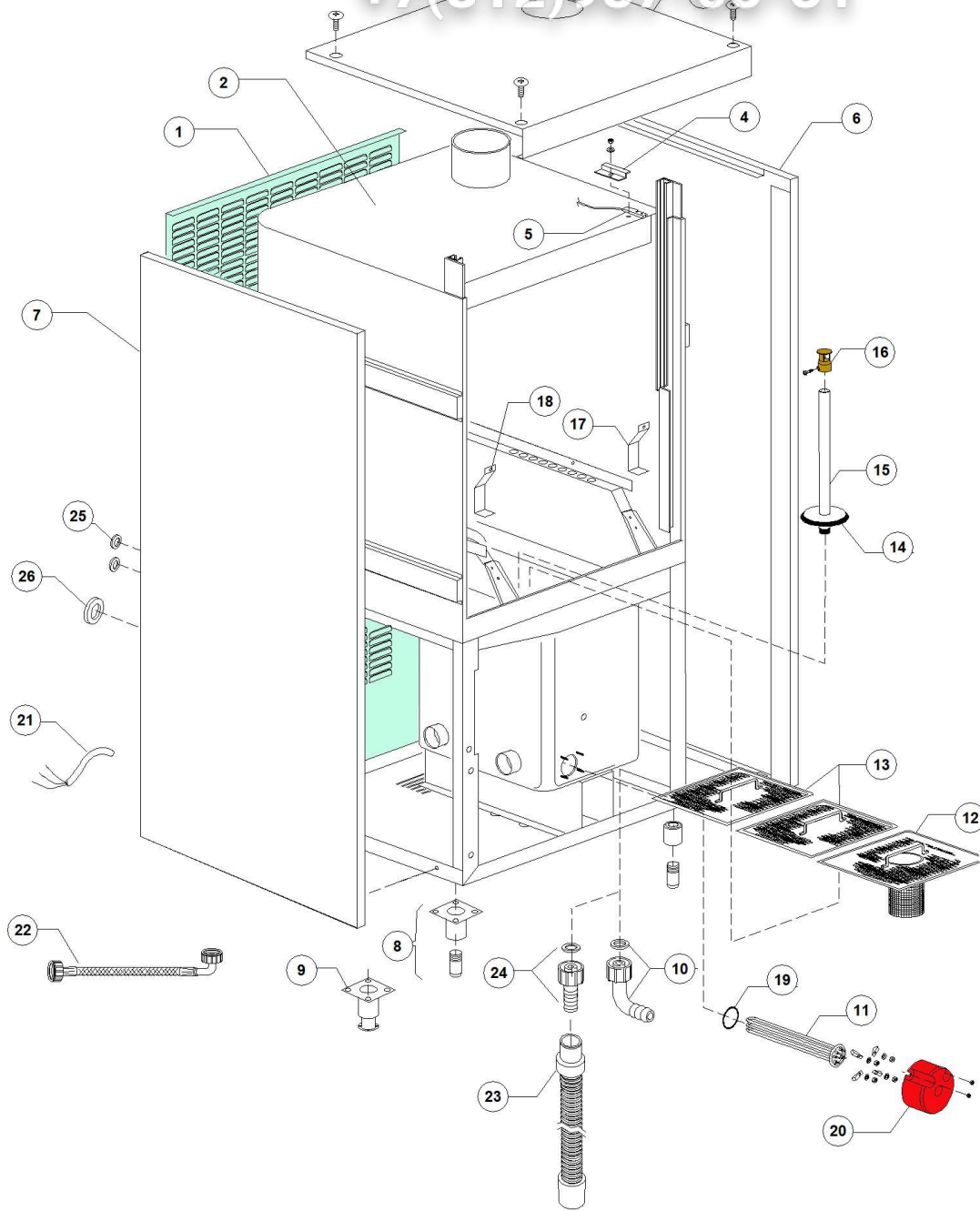


Зип Общепит
vsezip.ru
+7(812)987-08-81

Catalogo ricambi
Spare parts catalog
Catalogue de pièces détachées
Ersatzteilkatalog
Catálogo de repuestos
Catálogo de peças de reposição
каталог запасных частей



+7(812)987-08-81



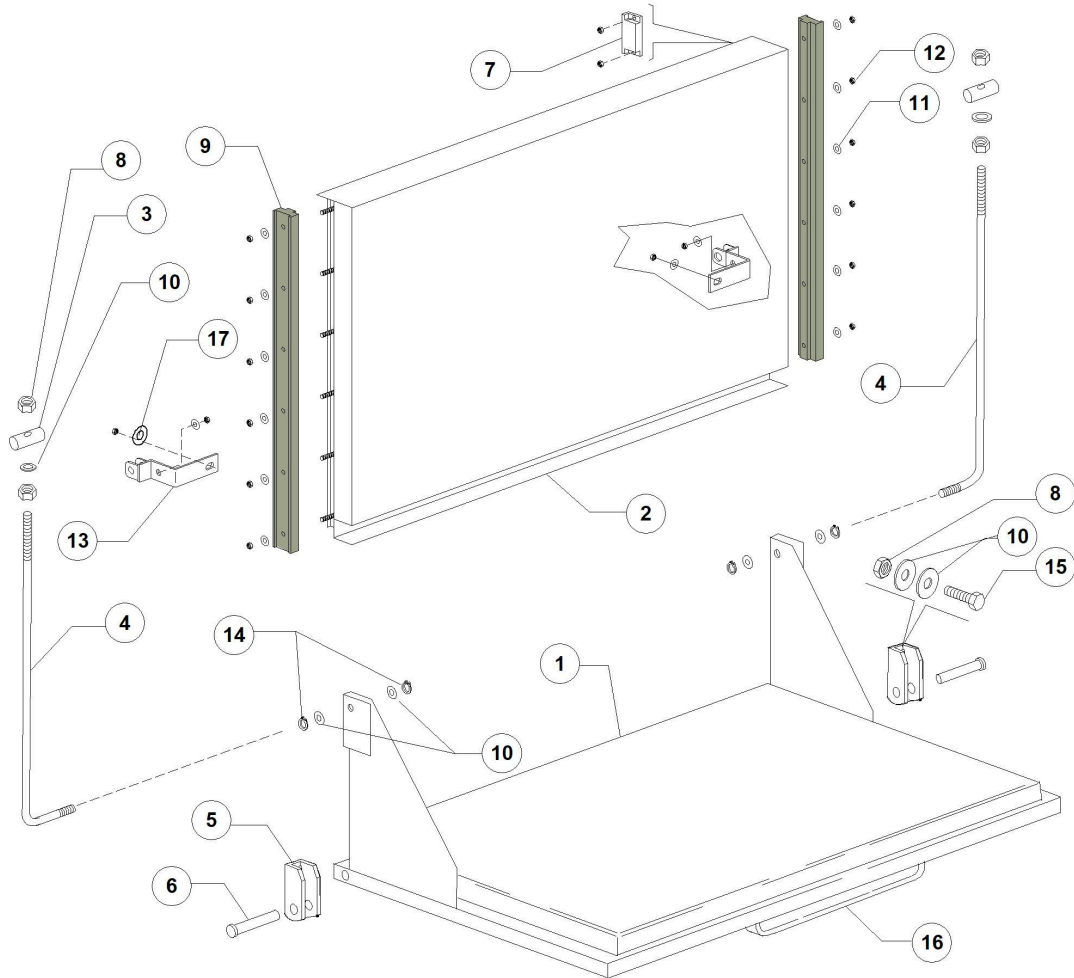
Зип Общепит

vsozip.ru

LP2 S PLUS PS XP DDE PAP 380-400/3N/50 DW11013 198 Gruppo carrozzeria - DW118E

Pos.	Codice	Descrizione	Description
1	DW91004	PANNELLO POSTERIORE	BACK PANEL
2	DW91000	CARROZZERIA	BODYWORK
3	DW91005	COPERCHIO P2S	COVER P2S
4	DW3009112	SUPPORTO REED ECONOMIZZATORE	ECONOMIZER MICROSWITCH SUPPORT
5	DW3003112	REED MICRO PORTA	MAGNETIC REED SWITCH
6	DW91002	PANNELLO DESTRO P2S/P3S	RIGHT SIDE PANEL P2S/P3S
7	DW91003	PANNELLO SINISTRO P2S/P3S	LEFT SIDE PANEL P2S/P3S
8	DW80116	PIEDINO REGOLABILE 112-215 2"	ADJUSTABLE FOOT 112-215 2"
10	DW15613	GOMITO DI SCARICO	DRAIN ELBOW
11	DW30001010	RESISTENZA 6000/6530W 230/240V 3	6000/6530W 230/240V 3 HEATING ELEM.
12	DW11600906	FILTRO VASCA ANTERIORE	TANK FRONT FILTER
13	DW11600907	FILTRO VASCA POSTERIORE	TANK BACK FILTER
14	DW11600002	GUARNIZIONE A FLANGIA	FLANGE GASKET
15	DW91101	ASSIEME TROPPOPIENO	OVERFLOW PIPE ASSEMBLY
16	DW11600019	TAPPO PER TROPPOPIENO	OVERFLOW PIPE PLUG
17	DW22254	PARASPRUZZI INFERIORE	LOWER SPLASH GUARD
18	DW22254	PARASPRUZZI INFERIORE	LOWER SPLASH GUARD
19	DW13015	GUARNIZIONE 6225 OR 160 NBR (MIN. 5 PZ)	6225 O-RING 160 NBR (MIN. 5 PCS)
20	DW75311	CUFFIOTTO PER RESISTENZA	HEATING ELEMENT COVER
21	DW80200	CAVO ALIMENTAZIONE 5X4X3400	CABLE 5X4X3400
22	DW10726	CANNA DI CARICO	LOAD PIPE
24	DW15613/A	PORTAGOMMA DRITTO	STRAIGHT HOSE CONNECTOR
25	DW13323	PASSACAPO IN GOMMA D.13 (MIN. 2 PZ)	RUBBER FAIRLEAD D.13 (MIN. 2 PCS)
26	DW13324	PASSACAPO IN GOMMA D.46X50	RUBBER FAIRLEAD D.46X50

+7(812)987 08-81



Зип Общепит

vsezip.ru

LP2 S PLUS PS XP DDE PAP 380-400/3N/5C - DW11018198 - Porta - DW118E

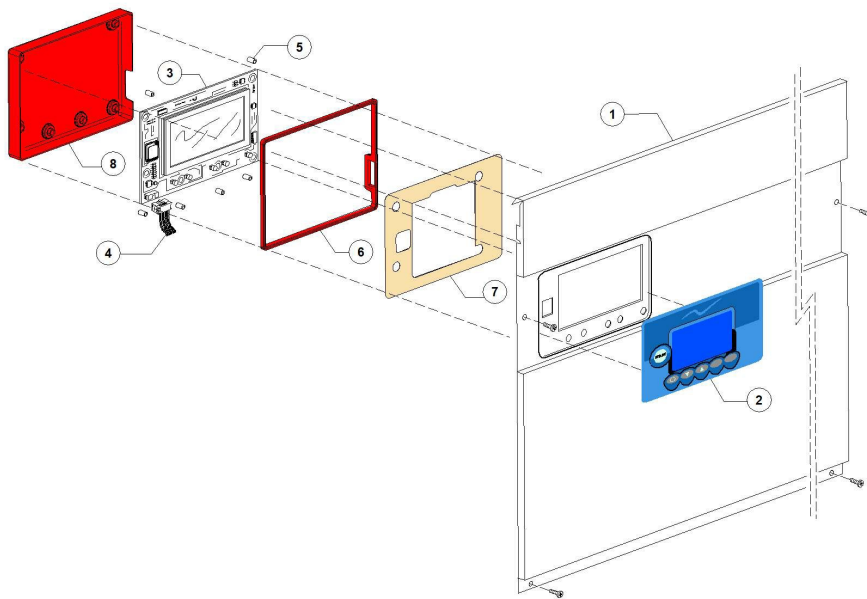
Pos.	Codice	Descrizione	Description
1	DW91000/A		COMPLETE LOWER DOOR P2S
2	DW91000/B		COMPLETE TOP DOOR P2S
3	DW22219	CILINDRETTI PORTA	SMALL DOOR CYLINDERS
4	DW22220	ASTA PORTA	DOOR ROD
5	DW22206/B	CERNIERA PORTA	DOOR HINGE
6	DW22220/A	PERNO INOX PER CERNIERA PER PORTA	DOOR HINGE S/S STUD
7	DW80232	MAGNETE PER REED	REED MAGNETIC UNIC
8	DW11721	DADO M6 AUTOBLOCCANTE INOX DIN982 (MIN. 10 PZ.)	S/S SELF-LOCKING NUT M6 DIN982 (MIN. 10 PCS)
9	DW90024	PATTINO SCORRIMENTO PORTA	DOOR SLIDING GUIDE
10	DW11177	RONDELLA 6X12 PIANA INOX UNI6592 DIN125	6X12 S/S PLAIN WASHER UNI6592 DIN125
11	DW11176	RONDELLA 5X10 PIANA INOX UNI6592 DIN125	5X10 S/S PLAIN WASHER UNI6592 DIN125
12	DW11169	DADO M5 AUTOBLOCCANTE INOX DIN982	S/S SELF-LOCKING NUT M5 DIN982
13	DW90916	STAFFA MOVIMENTO PORTA	DOOR MOVEMENT SUPPORT
14	DW11815	SEEGER D.8 INOX (MIN. 5 PZ)	SNAP RING D.8 S/S
15	DW11104/B	VITE M6X16 INOX TE DIN933	M6X16 TE S/S SCREW DIN933
17	DW11185	RONDELLA 8X16 PIANA INOX DIN125	8X16 S/S PLANE WASHER DIN125

Зип Общепит

vsezip.ru

LP2 S PLUS PS XP DDE PAP 380-400/3N/50 - DW118198 - Pannello comandi - DW118E

+7(812)987-08-81

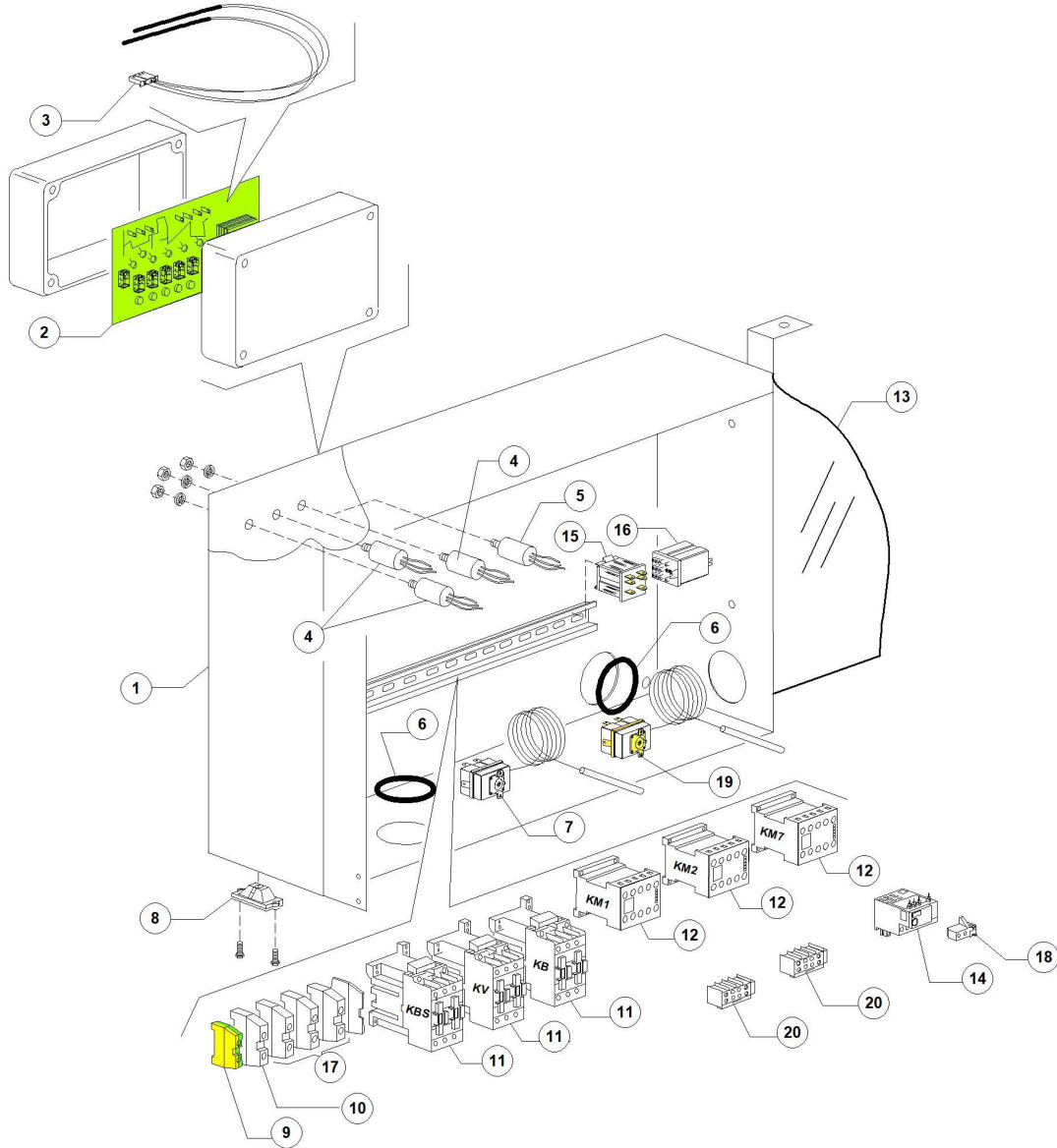


Зип Общепит

vsozip.ru

LP2 S PLUS PS XP DDE PAP 380-400/3N/50 - DW1018198 - Pannello comandi - DW118E

Pos.	Codice	Descrizione	Description
1	DW91013	SOTTOPORTA/PANNELLO COMANDI	FRONT PANEL/CONTROL PANEL
2	DW96704	MOSTRINA DIHR	CONTROL OVERLAY DIHR
3	DW50650	TASTIERA CON DISPLAY	KEY BOARD WITH DISPLAY
4	DW50651	PIATTINA MULTIFILO F16p L1000	RIBBON CABLE F16p L1000
5	DW50561	DISTANZIALE SCHEDA D.8X10	MAINBOARD SPACER D.8X10
6	DW50650/B	GUARNIZIONE SCATOLA DW50650/A	PROTECTION BOX GASKET DW50650/A
7	DW96716	PROTEZIONE ISOLANTE PULSANTIERA	PUSH BUTTON PANEL INSULATING PROTECTION
8	DW50650/A	SCATOLA PROTEZIONE SCHEDA 50650	ELECTRONIC BOARD PROTECTION BOX 50650



LP2 S PLUS PS XP DDE PAP 380-400/3N/50 DW118198 - Componenti elettrici - DW118E

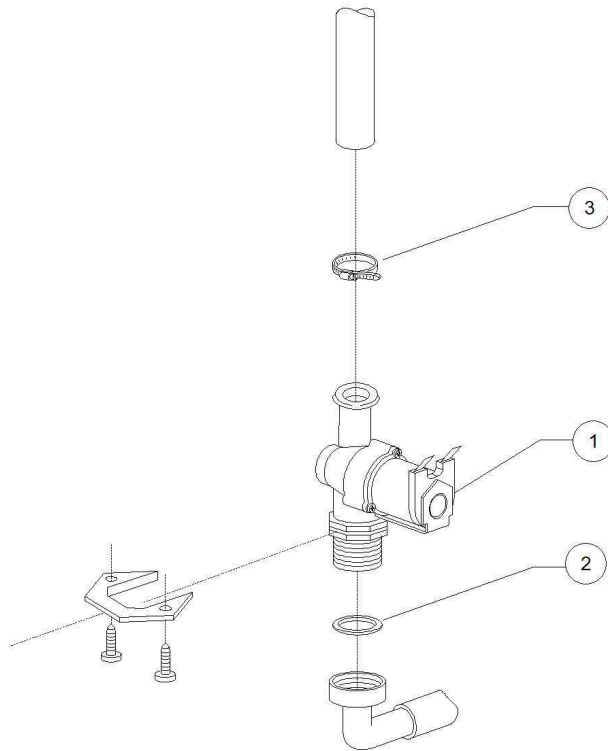
Pos.	Codice	Descrizione	Description
1	DW91001	PANNELLO PORTACOMPONENTI	ELECTRIC COMPONENTS PANEL
2	DW91120	SCHEDA MADRE P2S-P3S-P4S8 PLUS 2009 (BL)	MAINBOARD P2S-P3S-P4S8 PLUS 2009 (BL)
3	DW50562	SONDA TERMOSTATO	THERMOSTAT PROBE
4	DW15149	FILTRO ANTIDISTURBO F3 0,33MF	ANTIJAMMING FILTER F3 (CX0.47MF)
6	DW13324	PASSACAVO IN GOMMA D.46X50	RUBBER FAIRLEAD D.46X50
7	DW2000430	TERMOSTATO DI SICUREZZA	SAFETY THERMOSTAT
8	DW15065/A	FISSACAVO CON VITI (2X11007)	CABLE-FASTENER WITH SCREW
9	DW3006173	MORSETTO 16mmq GIALLO/VERDE	TERMINAL 16mmq YELLOW/GREEN
10	DW3006155	MORSETTO NEUTRO 16mmq BLU	TERMINAL 16mmq BLEU
11	DW10300050	TELERUTTORE 25A/12A 4NA 230V 50-60HZ	CONTACTOR 25A/12A 4NA 230V 50-60HZ
12	DW15086	TELERUTTORE 230V 50/60Hz 4C AC3(6A)	CONTACTOR 230V 50/60Hz 4C AC3(6A)
13	DW11600039	PROTEZIONE COMPONENTI ELETTRICI	ELECTRICAL COMPONENTS PROTECTION
16	DW560301	RELÈ 230V 50/60Hz GUIDA DIN	RELAY 230V 50/60Hz DIN RAIL
17	DW3006082	MORSETTO 16mmq	TERMINAL 16mmq
20	DW3006068	CONTATTO AUSILIARIO PER MC9 1NO-1NC	MC9 AUXILIARY CONTACT 1NO-1NC

Зип Общепит

vsezip.ru

LP2 S PLUS PS XP DDE PAP 380-400/3N/50 - DW118E - Valvola di carico - DW118E

+7(812)987-08-81



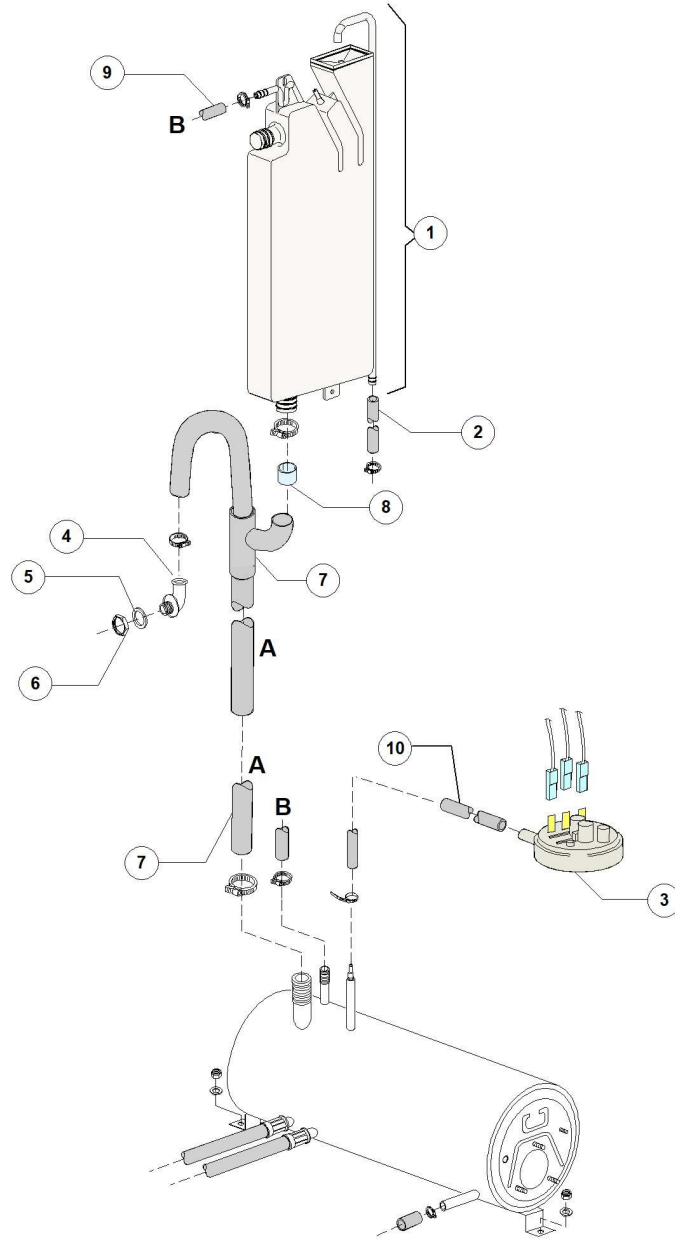
Зип Общепит

vsozip.ru

LP2 S PLUS PS XP DDE PAP 380-400/3N/50 - DW1018198 - Valvola di carico - DW118E

Pos.	Codice	Descrizione	Description
1	DW10703	ELETTRORVALVOLA SINGOLA H20 230V	SINGLE SOLENOID VALVE H20 230V
2	DW13307	GUARNIZIONE 3/4 CARICO	O-RING 3/4 LOAD H20 DIS.LS061
3	DW11807	FASCETTA AISI 430 12/22 (MIN. 3 PZ)	CLAMP 12/22 AISI 430 (MIN. 3 PCS)

+7(812)987-08-81



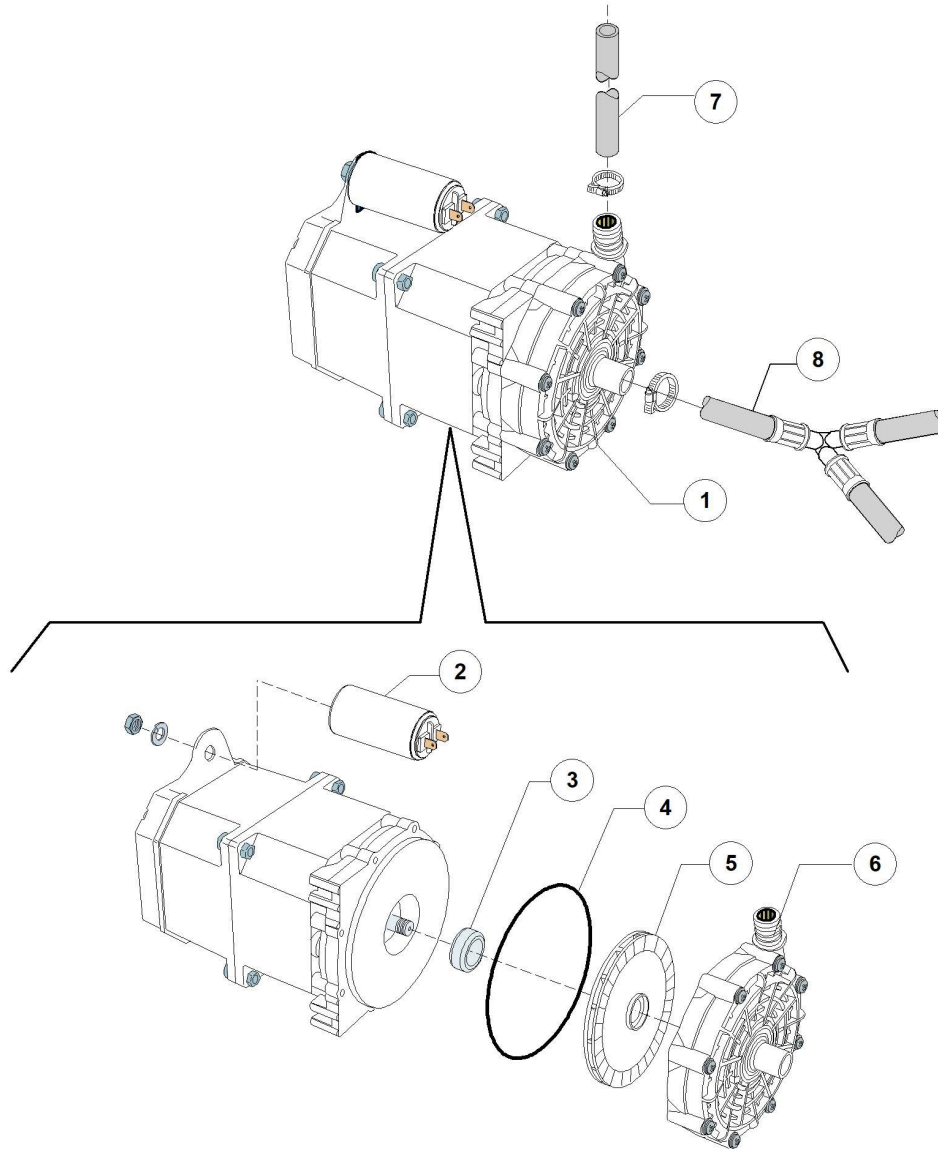
Зип Общепит

ysozip.ru

LP2 S PLUS PS XP DDE PAP 380-400/3N/50 - PV.H.0.8193 - Break Tank - DW118E

Pos.	Codice	Descrizione	Description
1	DW15720	ASSIEME BREAK TANK 3.5LT	BREAK TANK ASSEMBLY 3.5 LT
2	DW2907352	TUBO GOMMA PVC WRAS	PVC WRAS RUBBER PIPE
3	DW10706/A	PRESSOSTATO 46-26	PRESSURE SWITCH 46-26
4	DW10701	GOMITO DI SCARICO	DRAIN ELBOW
5	DW13305	GUARNIZIONE GOMITO SCARICO 44X32X3	O-RING FOR DRAIN ELBOW 44x32x3 DIS.LS061
6	DW11701/A	DADO INOX	S/S NUT
7	DW91112	MANICOTTO EPDM	LOADING/SAFETY PIPES ASSEMBLY
8	DW12533	RINFORZO COLLARE USCITA BREAK TANK	BREAK TANK OUTLET COLLAR REINFORCEMENT
9	DW2907351	TUBO GOMMA EPDM 11,5X19	11,5X19 EPDM RUBBER PIPE
10	DW14506	TUBO GOMMA EPDM 9.5X16	9,5X16 EPDM RUBBER PIPE 9.5X16

+7(812)987-08-81



Зип Общепит

vsezip.ru

LP2 S PLUS PS XP DDE PAP 380-400/3N/50 - DW110193 - Pompa aumento pressione - DW118E

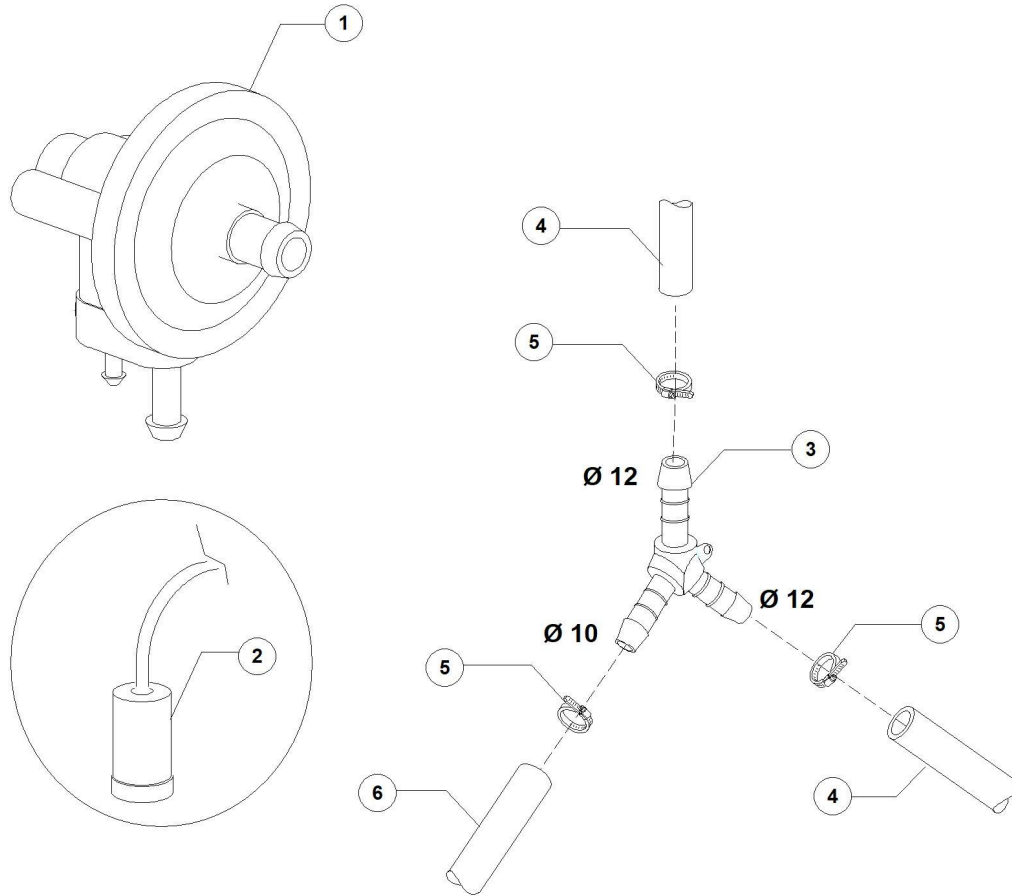
Pos.	Codice	Descrizione	Description
1	DW15100/DO	POMPA RISCIAQUO 220-240/50HZ (PLUS)	RINSE PUMP 220-240V, 50HZ (PLUS)
2	DW16043	CONDENSATORE 5 UF	5 UF CONDENSER
3	DW15100/S	TENUTE ROTANTI EPDM (15100/DO)	EPDM ROTARY SEAL (15100/DO)
4	DW15100/T	GUARNIZIONE OR (15100/DO)	O-RING EPDM (15100/DO)
5	DW15100/U	GIRANTE POMPA 90X2,5 (DW15100/DO)	PUMP ROTOR 90X2.5 (DW15100/DO)
6	DW15100/V	CHIOCCIOLA POMPA 15100/DO	SCROLL FOR PUMP 15100/DO
7	DW2907351	TUBO GOMMA EPDM 11,5X19	11,5X19 EPDM RUBBER PIPE
8	DW91111	ASSIEME TUBI ASPIRAZIONE D.12	EXHAUSTER PIPE ASSEMBLY D.12

Зип Общепит

vsezip.ru

LP2 S PLUS PS XP DDE PAP 380-400/3N/50 - DW1201-12E - Gruppo dosatore Brillantante - DW118E

+7(812)987-08-81



Зип Общепит

vszip.ru

LP2 S PLUS PS XP DDE PAP 380-400/3N/50 - DW1018198 - Gruppo dosatore Brillantante - DW118E

Pos.	Codice	Descrizione	Description
1	DW10799/G	DOSATORE BRILLANTANTE	RINSE AID DOSING PUMP
2	DW15058	FILTRINO (MIN. 3 PZ)	SMALL FILTER (MIN. 3 PCS)
3	DW540105	DERIVAZIONE 3 VIE D.10-12-12	Y-PIECE D.10-12-12
4	DW2907351	TUBO GOMMA EPDM 11,5X19	11,5X19 EPDM RUBBER PIPE
5	DW11807	FASCETTA AISI 430 12/22 (MIN. 3 PZ)	CLAMP 12/22 AISI 430 (MIN. 3 PCS)

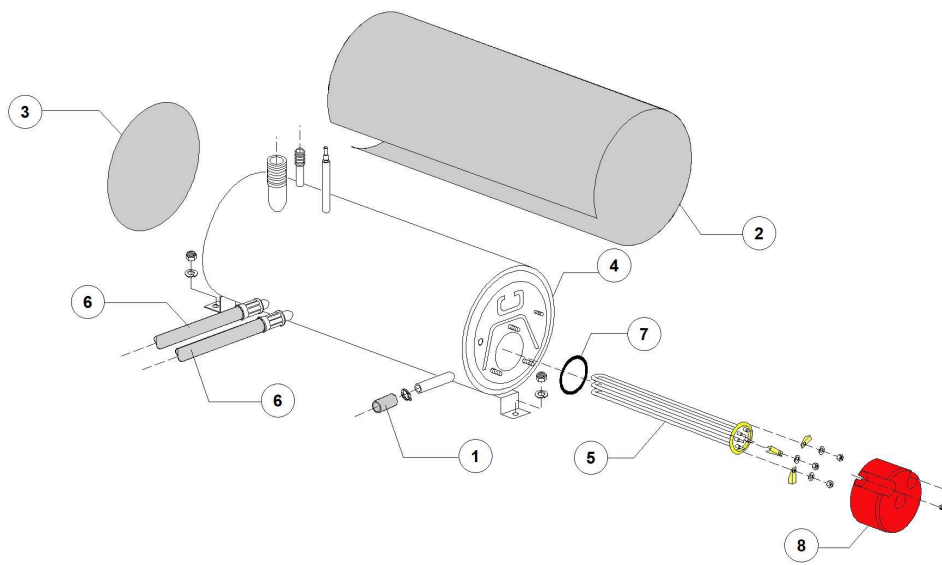
+7(812)987-08-81

Зип Ощепит

vsezip.ru

LP2 S PLUS PS XP DDE PAP 380-400/3N/50 - DW110 B3198 Gruppo boiler - DW118E

+7(812)987-08-81



Зип Общепит

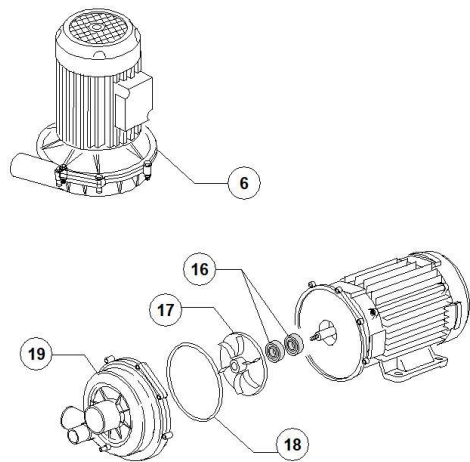
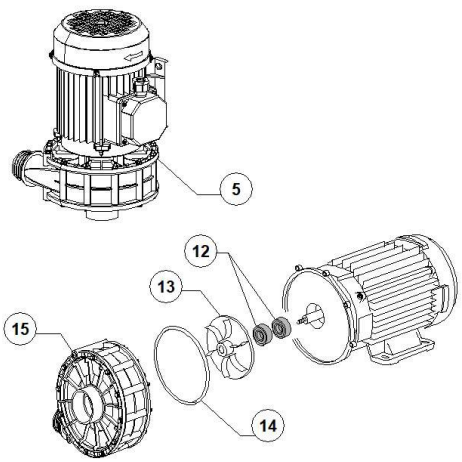
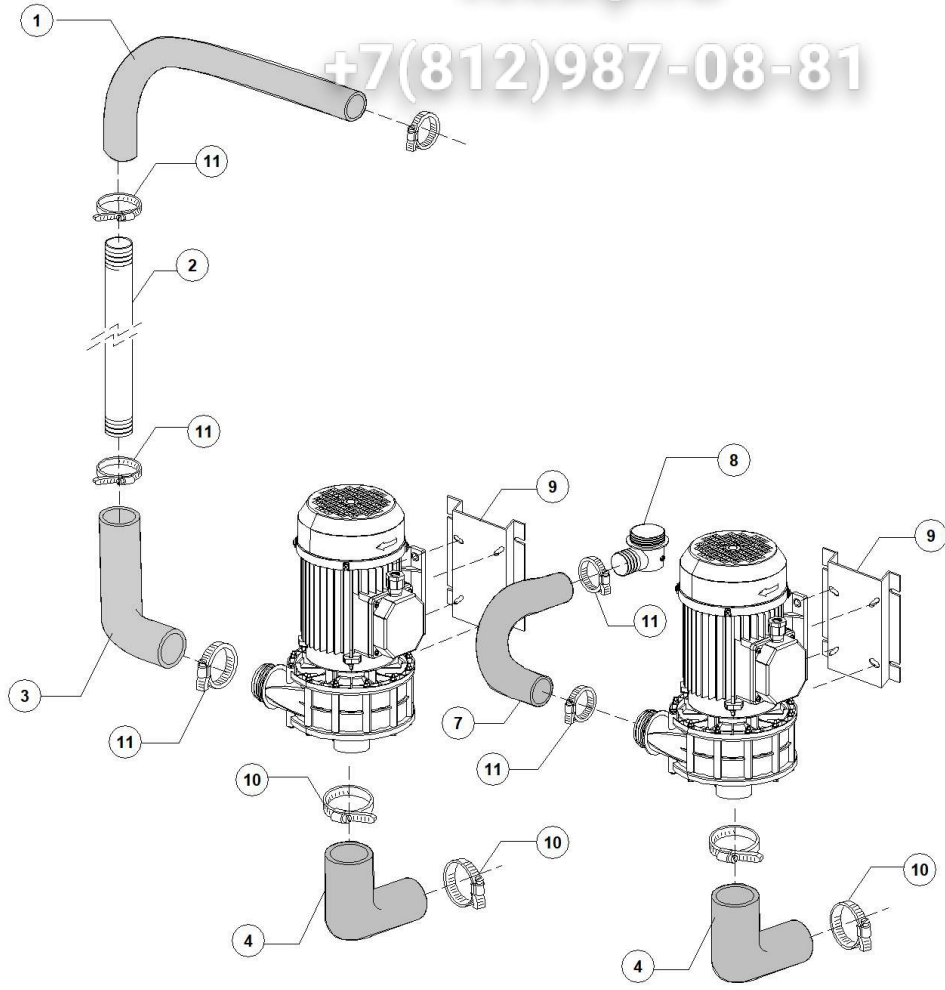
vsezip.ru

LP2 S PLUS PS XP DDE PAP 380-400/3N/50 - DW11013198 Gruppo boiler - DW118E

Pos.	Codice	Descrizione	Description
1	DW10200293	TUBO EPDM 8X15	8X15 EPDM PIPE
2	DW91116	COIBENTE BOILER 600X680	BOILER INSULATING 600X680
3	DW91115	DISCO ESPANSOLENE D.190	INSULATING DISK D.190
4	DW91104	BOILER ATMOSFERICO AISI 316	ATMOSPHERIC BOILER AISI 316
5	DW30001010	RESISTENZA 6000/6530W 230/240V 3	6000/6530W 230/240V 3 HEATING ELEM.
5	DW30001011/A	RESISTENZA 12000/13070W 230/240V 3	12000/13070W 230/240V 3 HEATING ELEM.
6	DW91111	ASSIEME TUBI ASPIRAZIONE D.12	EXHAUSTER PIPE ASSEMBLY D.12
7	DW13015	GUARNIZIONE 6225 OR 160 NBR (MIN. 5 PZ)	6225 O-RING 160 NBR (MIN. 5 PCS)
8	DW75311	CUFFIOTTO PER RESISTENZA	HEATING ELEMENT COVER

+7(812)987-08-81

+7(812)987-08-81



Зип Общепит

vsezip.ru

LP2 S PLUS PS XP DDE PAP 380-400/3N/50 - DW118E - P 198 Gruppo pompa di lavaggio - DW118E

Pos.	Codice	Descrizione	Description
1	DW91106	MANICOTTO MANDATA 45/45	DELIVERY PIPE COUPLING 45/45
2	DW91105	RAMPA DI LAVAGGIO P2S	WASH RISER P2S
3	DW91106	MANICOTTO MANDATA 45/45	DELIVERY PIPE COUPLING 45/45
4	DW3002020	MANICOTTO A GOMITO D.60	ELBOW PIPE COUPLING D.60
5	DW22037	POMPA HP2.0 220-240/380-415V3/50HZ	PUMP HP2.0 220-240/380-415V3/50HZ
6	DW22037	POMPA HP2.0 220-240/380-415V3/50HZ	PUMP HP2.0 220-240/380-415V3/50HZ
7	DW91108	MANICOTTO MANDATA INFERIORE	LOWER DELIVERY PIPE COUPLING
8	DW90008	TORRETTA INFERIORE/SUPERIORE	LOWER / UPPER SUPPORT
9	DW11600623	STAFFA SUPPORTO POMPA	PUMP SUPPORT G12
10	DW2902491	FASCETTA AISI 430 60/80 (MIN. 2 PZ)	CLAMP 60/80 AISI 430 (MIN. 2 PCS)
11	DW11824	FASCETTA AISI 430 50/70 (MIN. 2 PZ)	CLAMP 50/70 AISI 430 (MIN. 2 PCS)
12	DW15080	TENUTE ROTANTI	ROTATING SEALS
13	DW22045/O	GIRANTE POMPA	PUMP ROTOR (PUMP 2HP)
14	DW10200290/O	GUARNIZIONE OR	OR 1225 GASKET
15	DW10200222/O	CHIOCCIOLA	SCROLL
16	DW15080	TENUTE ROTANTI	ROTATING SEALS
17	DW22045	GIRANTE POMPA (POMPA DA 2HP)	PUMP ROTOR (PUMP 2HP)
18	DW10200290	GUARNIZIONE OR 1225	OR 1225 GASKET
19	DW10200222	CHIOCCIOLA	SCROLL

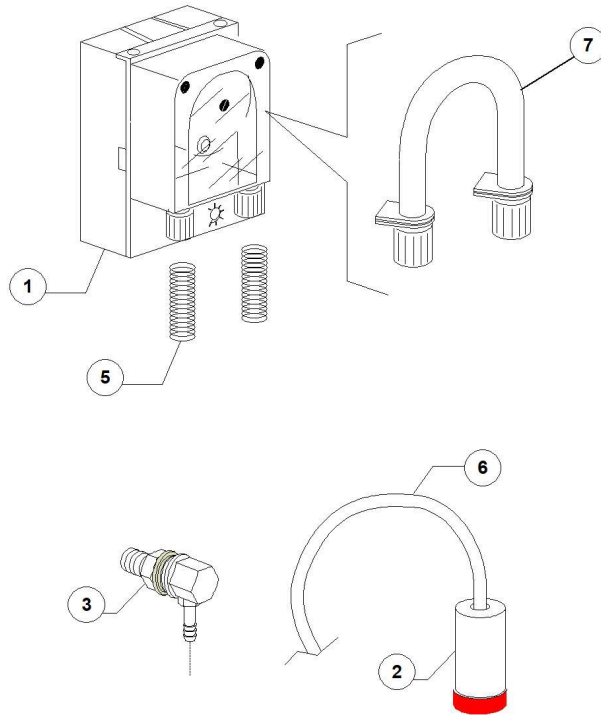
+7(812)987-08-81

Зип Общепит

vsezip.ru

LP2 S PLUS PS XP DDE PAP 380-400/3N/50 DW11818198 Dosatore detersivo - DW118E

+7(812)987-08-81

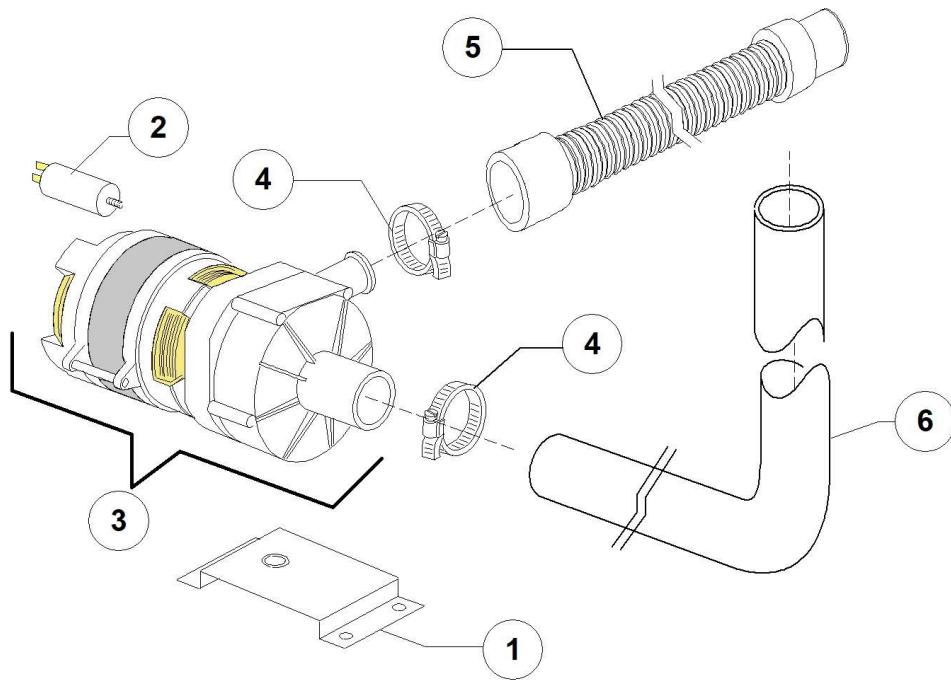


Зип Общепит

vsezip.ru

LP2 S PLUS PS XP DDE PAP 380-400/3N/50 DW11018198 Dosatore detersivo - DW118E

Pos.	Codice	Descrizione	Description
1	DW15985	DOSATORE DETERGENTE 0-3L/H	DETERGENT DOSING PUMP 0-3L/H
2	DW15058	FILTRINO (MIN. 3 PZ)	SMALL FILTER (MIN. 3 PCS)
3	DW15123	INIETTORE PER DOSATORE DETERSIVO INOX	S/S DOSING PUMP INJECTOR
5	DW10763	MOLLA INOX PER TUBO	PIPE S/S SPRING
6	DW14503	TUBO PVC TRASPARENTE D.6X4	D.6X4 PVC TRANSPARENT HOSE
7	DW15108/E	TUBO TERMOPLASTICO DOSATORE GERMAC	GERMAC DISPENSER THERMOPLASTIC HOSE
7	DW15185	TUBO TERMOPLASTICO DOSATORE SEKO	SEKO DISPENSER THERMOPLASTIC HOSE
7	DW15297	TUBO TERMOPLASTICO DOSATORE SEKO	SEKO DISPENSER THERMOPLASTIC HOSE
7	DW15297/T	TUBO TERMOPLASTICO DOSATORE TECNOPRO	TECNOPRO DISPENSER THERMOPLASTIC HOSE
7	DW15985/A	#TUBO TERMOPLASTICO DDE MICRODOS	MICRODOS THERMOPLASTIC PIPE



Зип Общепит

vsezip.ru

LP2 S PLUS PS XP DDE PAP 380-400/3N/50 - DW118193 - Gruppo pompa di scarico - DW118E

Pos.	Codice	Descrizione	Description
1	DW440122	SUPPORTO POMPA LAVAGGIO	WASH PUMP SUPPORT
2	DW10702	CONDENSATORE 5 UF	5 UF CONDENSER
3	DW10501/A	POMPA 190W 230V/50HZ	PUMP 190W 230V/50HZ
4	DW11806	FASCETTA AISI 430 25/40 (MIN. 2 PZ)	CLAMP 25/40 AISI 430 (MIN. 2 PCS)
5	DW10727	CANNA DI SCARICO	DRAIN HOSE
6	DW18044	TUBO EPDM D.28	D.28 EPDM PIPE

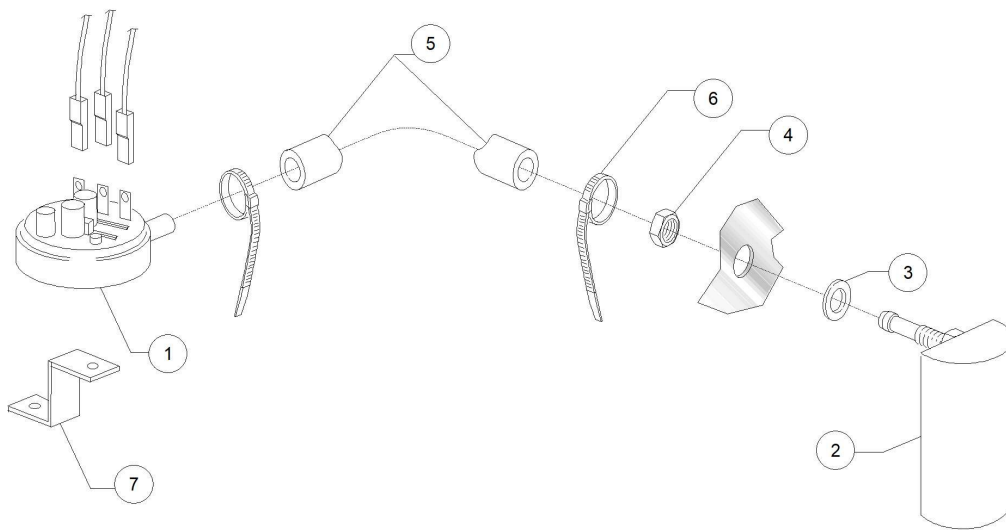
+7(812)987-08-81

Зип Общепит

vsezip.ru

LP2 S PLUS PS XP DDE PAP 380-400/3N/50 DW11018198 Pressostato - DW118E

+7(812)987-08-81



Зип Общепит

vsezip.ru

LP2 S PLUS PS XP DDE PAP 380-400/3N/50 DW1018198 Pressostato - DW118E

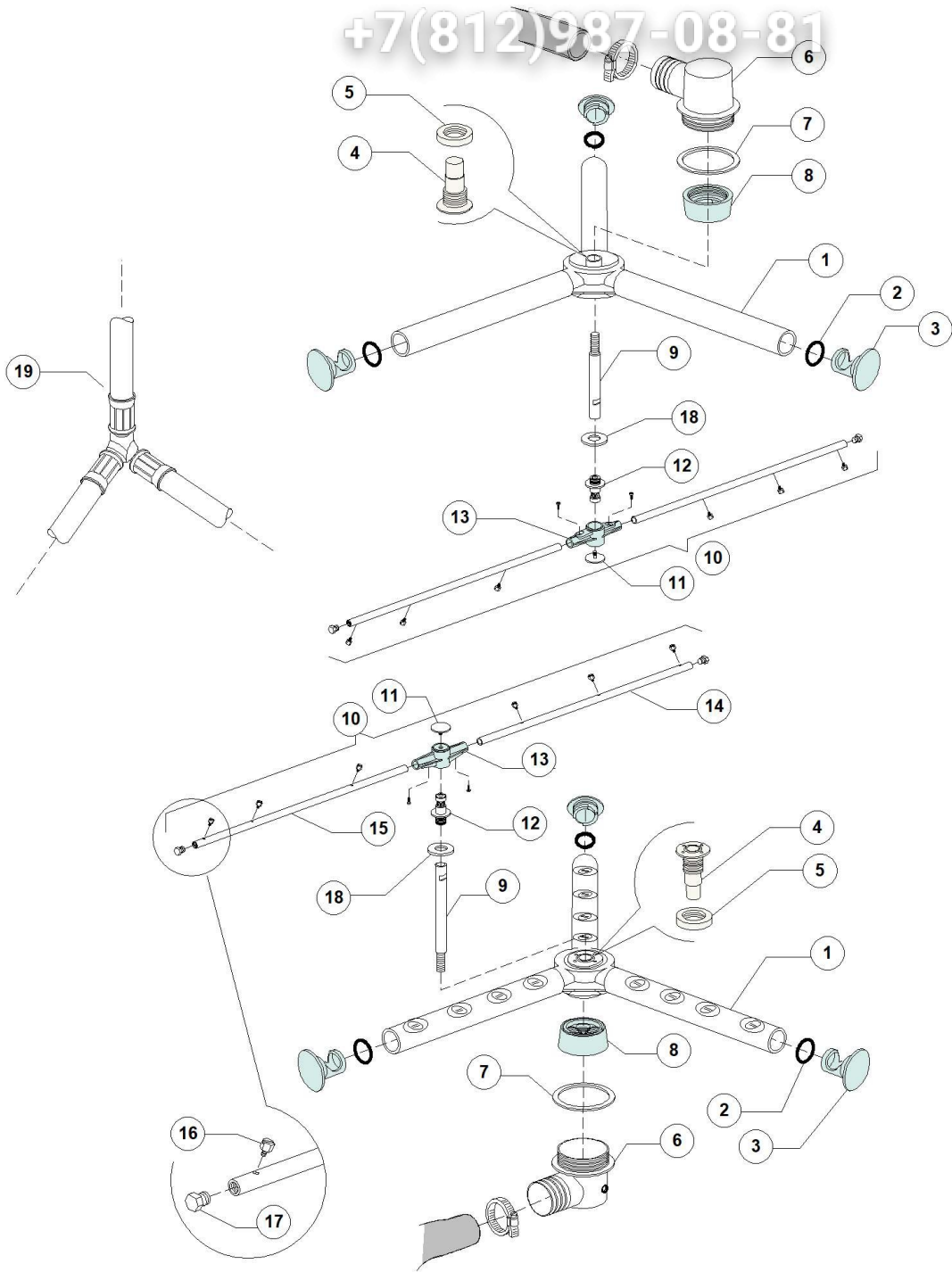
Pos.	Codice	Descrizione	Description
1	DW88110	PRESSOSTATO 250-40	PRESSURE SWITCH 250-40
2	DW135911	ASSIEME GABBIA D'ARIA GRIGIA L90	GREY AIR TRAP ASSEMBLY L90
3	DW13301	GUARNIZIONE D14X8X1,5 (MIN. 10 PZ)	O-RING ROLMART D14X8X1,5 (MIN. 10 PCS)
4	DW11702	DADO M8 INOX DIN934 (MIN. 20 PZ)	S/S NUT M8 DIN934 (MIN. 20 PCS)
5	DW14508	TUBO EPDM 4,5X9 (MIN. 2 MT)	EPDM HOSE 4.5X9 (MIN. 2 MT)
6	DW10738	FASCETTA PLASTICA 98X2,5	PLASTIC CLAMP 98X2,5
7	DW3009363	SUPPORTO PRESSOSTATO	PRESSURE-SWITCH SUPPORT

Зип Общепит

LP2 S PLUS PS XP DDE PAP 380-400/3N/50 - DW110-193 - Gruppo lavaggio-risciacquo - DW118E

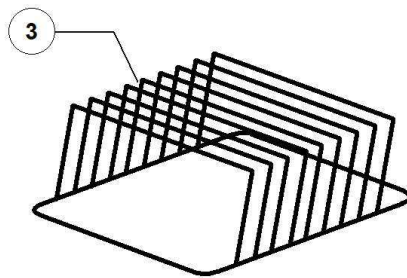
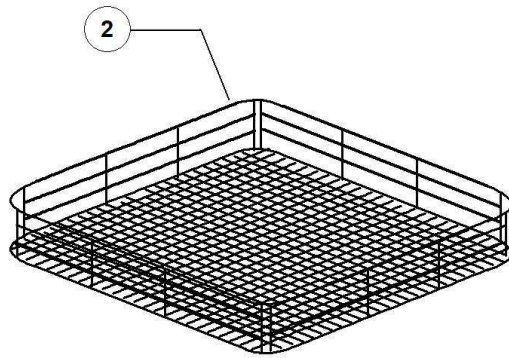
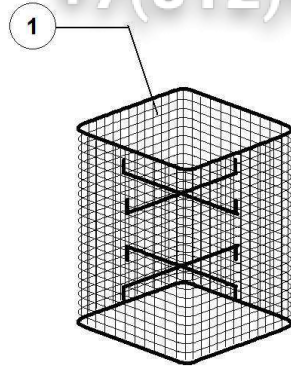
vsezip.ru

+7(812)987-08-81



Pos.	Codice	Descrizione	Description
1	DW91102	GIRANTE LAVAGGIO SUPERIORE/INFERIORE	UPPER/LOWER WASH ROTOR
2	DW13023	GUARNIZIONE OR 131 (4093)	OR 131 (4093) NBR GASKET
3	DW3003029	TAPPO PLASTICA	PLASTIC PLUG
4	DW75316	MOZZO PER GIRANTE	HUB FOR ROTOR 11S/96
5	DW75317	DADO PER MOZZO 11S/96	NUT FOR ROTOR HUB 11S/96
6	DW90008	TORRETTA INFERIORE/SUPERIORE	LOWER / UPPER SUPPORT
7	DW80208	GUARNIZIONE RAMPA D.95X75X3 (MIN. 2 PZ)	RISER GASKET D.95X75X3 (MIN. 2 PCS)
8	DW90009	MOZZO PER GIRANTE	HUB FOR ROTOR
9	DW90010	PROLUNGA ASSE RISCIAQUO INFERIORE/SUPERIORE	UPPER/LOWER RINSE AXLE EXTENSION
10	DW91103	GRUPPO RISCIAQUO INFERIORE/SUPERIORE	UPPER/LOWER RINSE ASSEMBLY
11	DW10652	VITE RISCIAQUO/03	RINSE ARM SCREW
12	DW10651	ASSE RISCIAQUO	RINSE AXLE
13	DW10650	MOZZO PER GIRANTE RISCIAQUO	HUB FOR RINSE ROTOR 03
14	DW91103/D	BRACCIO RISCIAQUO DESTRO	RIGHT RINSE ARM
15	DW91103/S	BRACCIO RISCIAQUO SINISTRO	LEFT RINSE ARM
16	DW560018	UGELLO RISCIAQUO INOX	STAINLESS STEEL RINSE NOZZLE
17	DW560017	TAPPO PER TUBO RISCIAQUO	RINSE ARM PLUG
18	DW90031	RONDELLA SCORRIMENTO LP1S/LP1S8	SLIDING WASHER P1SLP1S8
19	DW91110	ASSIEME TUBI RISCIAQUO D.12	RINSE PIPE ASSEMBLY D.12

+7(812)987-08-81



Зип Общепит

vsezip.ru

LP2 S PLUS PS XP DDE PAP 380-400/3N/3G - DW118198 - Cesti - DW118E

Pos.	Codice	Descrizione	Description
1	DWC86/A	CESTELLO PORTA SPATOLE INOX	S/S SPATULA BASKET
2	DW91100	CESTO INOX 700X700 P2S	700X700 S/S BASKET P2S
3	DWC97/A	INSERTO INOX PER VASSOI 8 PZ	S/S TRAY SUPPORT 8 PCS

+7(812)987-08-81

Зип Общепит

vsezip.ru

+7(812)987-08-81

