

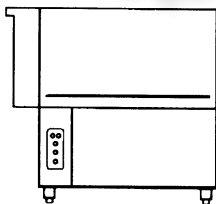
**CATALOGO RICAMBI
PIECES DETACHEES
SPARE PARTS BOOK
ERSATZTEILE
LISTA DE RECAMBIOS**

Зип Общепит

vsezip.ru

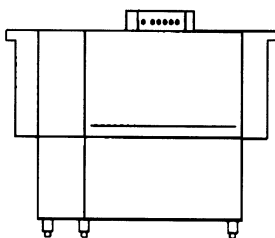
Ed. 03/99-Rev. 0

+7(812)987-08-81



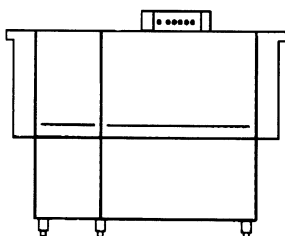
EDT 85/100

AC 91/101



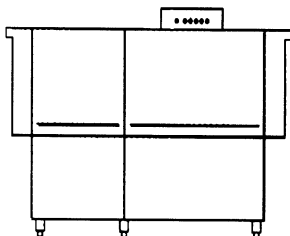
EDT 140

AC 151



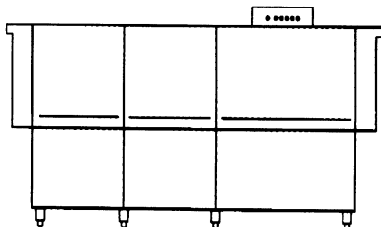
EDT 170

AC 181



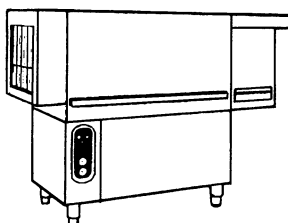
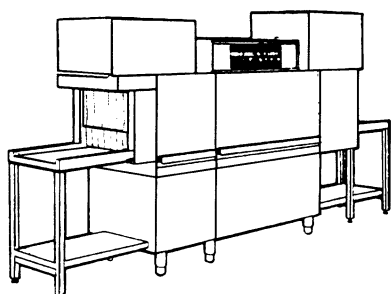
EDT 200

AC 201



EDT 230

AC 241



EDT

AC

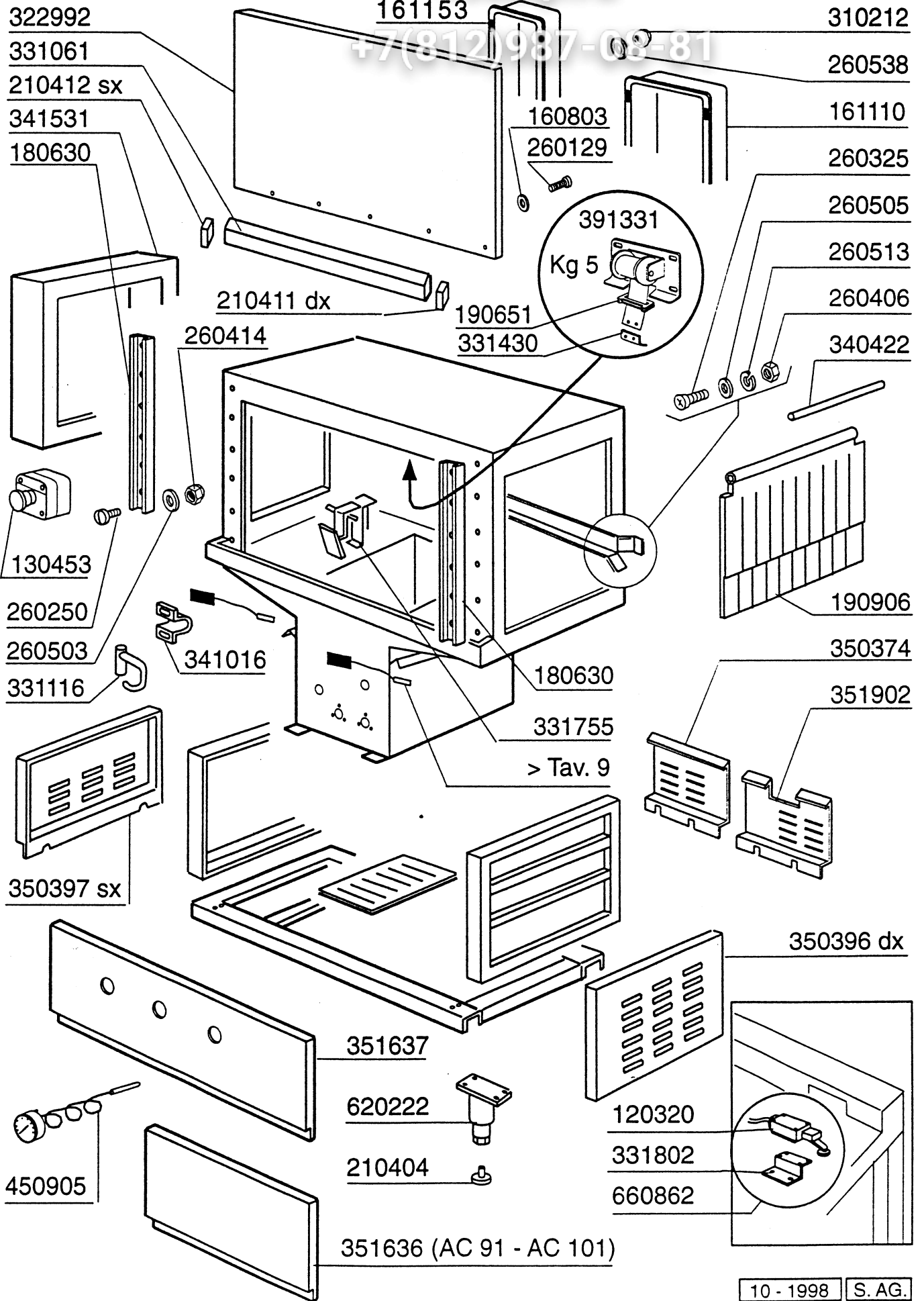
| TAV. | INDICE - INDEX - INDEX - INHALTSVERZEICHNIS - INDICE | |
|------|--|--|
| 1 | AC | CARROZZERIA LAVAGGIO - CARROSSERIE LAVAGE - WASH HOOD - KARROSSERIE WASCHZONE - CARROCERIA LAVADO |
| 2 | | COMPONENTI VASCA LAVAGGIO - COMPOSANTS LAVAGE - WASCH TANK COMPONENTS - TEILE F. WASCHZONE - CUBA LAVADO |
| 3 | AC 91 - 101 | COLONNA LAVAGGIO - COLONNE LAVAGE - WASCH ASSEMBLY - WASCHROHR - COLUMNNA LAVADO |
| 4 | | LAVAGGIO SUPERIORE/INFERIORE - BRAS LAVAGE SUPERIEUR/INFERIEUR - UPPER WASH ARMS/LOWER WASH ARMS - OBERE/UNTERE WASCH ARME - BRAZOS LAVADO SUPERIOR/INFERIOR |
| 5 | AC 122 151 - 152 181 - 182 201 - 202 241 - 242 | COLONNA LAVAGGIO - COLONNE LAVAGE - WASCH ASSEMBLY - WASCHROHR - COLUMNNA LAVADO |
| 6 | AC 91 101 - 122 | COLONNA RISCIACQUO - COLONNE RINCAGE - RINSE ASSEMBLY - NACHSPÜLUNGSROHR - COLUMNNA ACLARADO |
| 7 | AC 151 - 152 181 - 182 | COLONNA RISCIACQUO - COLONNE RINCAGE - RINSE ASSEMBLY - NACHSPÜLUNGSROHR - COLUMNNA ACLARADO |
| 8 | AC 201 - 202 251 - 252 | COLONNA RISCIACQUO - COLONNE RINCAGE - RINSE ASSEMBLY - NACHSPÜLUNGSROHR - COLUMNNA ACLARADO |
| 9 | AC | MICRO PORTA - DOOR MICRO-SWITCH - MICRO PORTE - TÜRMIKROSCHALTER - MICRO PUERTA ECONOMIZZATORE - ECONOMISEUR - ECONOMISER - SPARSCHALTER - ECONOMISADOR |
| 10 | | GRUPPO TRAINO - GROUPE AVANCEMENT - DRIVE COMPONENTS - TRANSPORTSYSTEM - GRUPO ARRASTRE |
| 11 | | TRAINO - GROUPE AVANCEMENT - DRIVING UNIT - ANTRIEB - ARRASTRE |
| 12 | AC 91 - 101 | CASSETTA ELETTRICA - TABLEAU ELECTRIQUE - CONTROL BOX - E-SCHRANK - CAJA ELECTRICA |
| 13 | | PANNELLO COMANDI - TABLEAU ELECTRIQUE - CONTROL BOX - E-SCHRANK - CAJA ELECTRICA |
| 14 | AC 122 151 - 152 181 - 182 201 - 202 241 - 242 | CASSETTA ELETTRICA - TABLEAU ELECTRIQUE - CONTROL BOX - E-SCHRANK - CAJA ELECTRICA |
| 15 | AC 91 101 - 122 | DETREMPE (prelavaggio leggero) - DETREMPE - LIGHT PREWASH - LEICHTE VORABRÄUMUNG - DETREMPE |
| 16 | AC 151 - 152 | CARROZZERIA PRELAVAGGIO - CARROSSERIE PRELAVAGE - PREWASH HOOD KARROSSERIE PUMPENVBORABRÄUMUNG - CARROCERIA PRELAVADO 400 mm |
| 17 | | COLONNA PRELAVAGGIO - COLONNE PRELAVAGE - PREWASH ASSEMBLY - WASCHROHR - COLUMNNA PRELAVADO 400 mm |

| TAV. | INDICE - INDEX - INDEX - INHALTSVERZEICHNIS - INDICE | | |
|------|--|--|---|
| 18 | AC 181 - 182 | CARROZZERIA PRELAVAGGIO - CARROSSERIE PRELAVAGE - PREWASH HOOD - KARROSSERIE PUMPENVORABRÄUMUNG - CARROCERIA PRELAVADO 600 mm | |
| 19 | | VASCA PRELAVAGGIO - CUVE PRELAVAGE - VORKWASCHTANK - PREWASH TANK - CUBA PRELAVADO 600 mm | |
| 20 | | COLONNA PRELAVAGGIO - COLONNE PRELAVAGE - PREWASH ASSEMBLY - WASCHROHR - COLUMN PRELAVADO - 600 mm | |
| 21 | | CARROZZERIA PRELAVAGGIO ANGOLO - CARROSSERIE PRELAVAGE EN ANGLE - CORNER PREWASH HOOD - KARROSSERIE ECKUMPENVORABRÄUMUNG - CARROCERIA PRELAVADO EN ANGULO - 600 mm | |
| 22 | AC 201 - 202 | CARROZZERIA PRELAVAGGIO - CARROSSERIE PRELAVAGE - PREWASH HOOD - KARROSSERIE PUMPENVORABRÄUMUNG - CARROCERIA PRELAVADO - 900 mm. | |
| 23 | | VASCA PRELAVAGGIO - CUVE PRELAVAGE - PREWASH TANK - VORKWASCHTANK - CUBA PRELAVADO - 900 mm | |
| 24 | | COLONNA PRELAVAGGIO - COLONNE PRELAVAGE - PREWASH ASSEMBLY - WASCHROHR - COLUMN PRELAVADO - 900 mm | |
| 25 | | CARROZZERIA LAVAGGIO - CARROSSERIE LAVAGE - WASH HOOD KARROSSERIE WASCHZONE - CARROCERIA LAVADO - 900 mm | |
| 26 | AC 241- 242 | VASCA LAVAGGIO - CUVE LAVAGE - WASH TANK - VORKWASCHTANK - CUBA LAVADO - 900 mm | |
| 27 | | COLONNA LAVAGGIO - COLONNE LAVAGE - WASH ASSEMBLY - WASCHROHR - COLUMN LAVADO - 900 mm | |
| 28 | AC 201- 202 241- 242 | COMPONENTI LAVAGGIO ANGOLO - COMPOSANTS LAVAGE ANGLE - CORNER WASH TANK COMPONENTS - TEILE F. ECKWASCHZONE - CUBA LAVADO EN ANGULO | |
| 29 | | COLONNA LAVAGGIO ANGOLO - COLONNE LAVAGE ANGLE - CORNER WASH ASSEMBLY - ECKWASCHSYSTEM - COLUMN LAVADO EN ANGULO | |
| 30 | | GUIDA TRAINO ANGOLO - RAIL AVANCEMENT ANGLE CORNER - DRIVE GUIDE FÜHRUNG FÜR ECKTRANSPORTSYSTEM - GUJAARRASTRE ANGULO | |
| 31 | AC 122 152 - 182 202 - 242 | ECORINSE | |
| 32 | AC | MENSOLA CARICAMENTO AD ANGOLO CHARGEUR D'ANGLE SIDE LOADING TABLE ECKEINZUG MESA CARGA EN ANGULO | ASPIRAZIONE PARASPRUZZI - SAS EXTRACTEUR DES BUEES VENT HOOD ABSAUGHAUBE ASPIRACION VISERA ANTISALPICADURAS |
| 33 | AC | CONDENSA VAPORI - CONDENSEUR BUÉE - STEAM CONDENSER - WRASENABSAUGUNG - CONDENSA VAPORES - Cod. 620305 | |

| TAV. | INDICE - INDEX - INDEX - INHALTS VERZEICHNIS - INDICE | |
|------|---|--|
| 34 | | ASCIUGATURA ELETTRICA - SECHAGE - BLOWER DRYER HEISSLUFTTROCKNUNG - SECADO |
| 35 | | ASCIUGATURA A VAPORE - SECHAGE A VAPEUR - STEAM BLOWER DRYER DAMPF HEISSLUFTTROCKNUNG - SECADO VAPOR |
| 36 | | RECUPERATORE DI CALORE COMPATTO - ECONOMISEUR D'ENERGIE - HEAT RECOVERY UNIT COMPACT - WÄRMERÜCKGEWINNUNG KOMPAKT - RECUPERADOR DE CALOR COMPACTO - Cod. 620312 |
| 37 | | AUTOLAVAGGIO - AUTOLAVAGE - SELF CLEANING - SELBSTREINIGUNG - SISTEMA DE AUTO LIMPIEZA |
| 38 | | VERSIONE VAPORE - VERSION VAPEUR - STEAM VERSION - DAMPFAUSFÜHRUNG - VERSION VAPOR |
| 39 | AC | ELETTRORVALVOLE - ELECTROVANNES - SOLENOID VALVE - E-VENTIL - ELECTROVALVULAS |
| 40 | | POMPE - PUMPS - POMPES - PUMPEN - BOMBAS |
| 41 | | MOLLE BILANCIAMENTO PORTE (doppia parete) - RESSORTS PORTES ISOLEES - SPRING FOR DOORS COUNTERBALANCING - FEDERN ZUM TÜRGEWICHTSAUSGLEICH - MUELLE COMPENSACION PUERTA |
| 42 | | RESISTENZE - RESISTANCES - HEATING ELEMENTS - HEIZKÖRPER - RESISTENCIAS |
| 43 | | COMPONENTI ELETTRICI RESISTENZE - COMPOSANTS ELECTRIQUES RESISTENCES ELECTRICAL PARTS FOR HEATINGS ELEMENTS - ELEKTRISCHE TEILE FÜR HEIZKÖRPER - PIEZOS ELECTRICOS PARA RESISTENCIAS |
| 44 | | MOTORI - MOTEUR - MOTORS - MOTOREN - MOTOR |
| | | |

vsezip.ru

+7(812)987-08-81



Tav. **2**

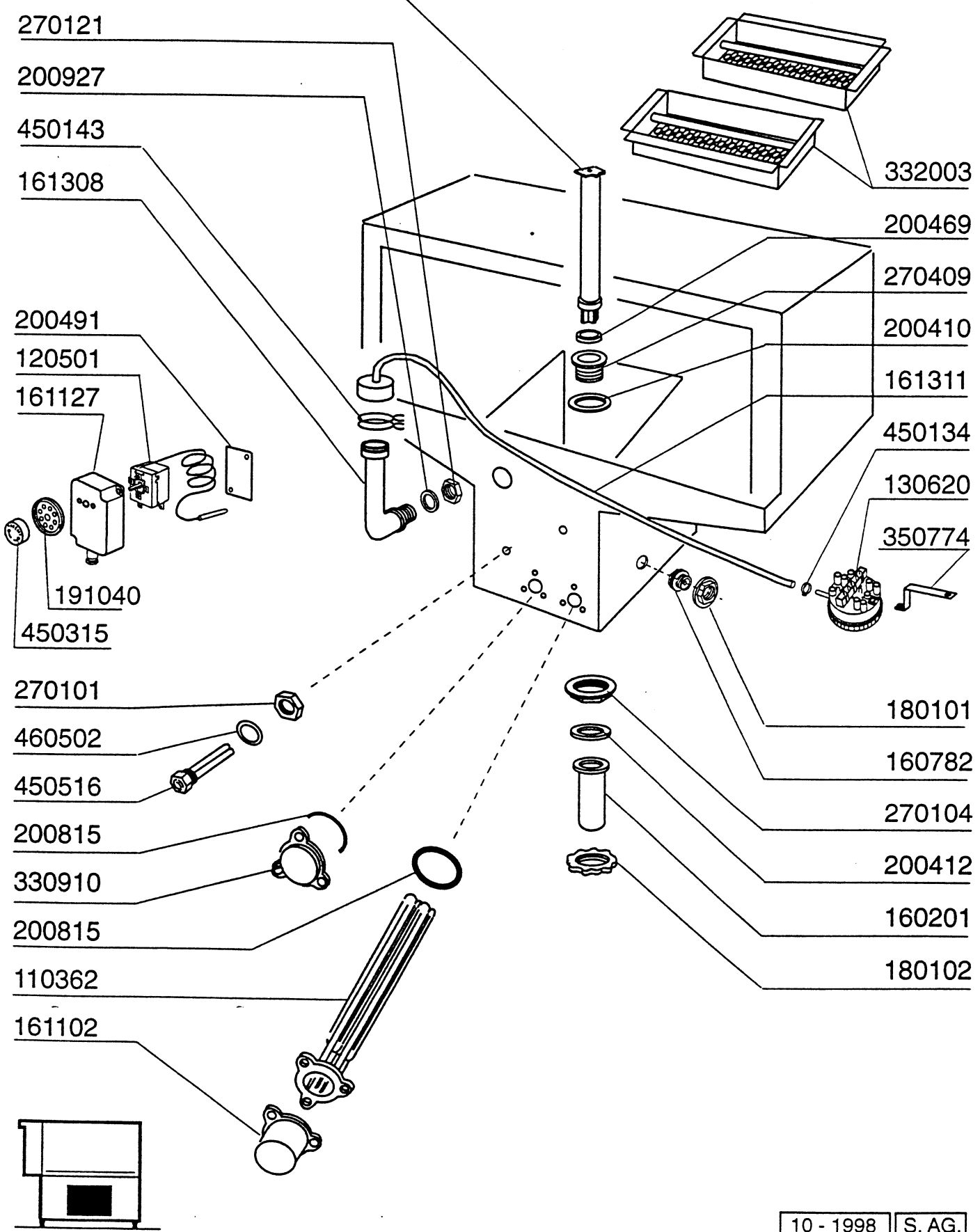
AC

COMPONENTI VASCA LAVAGGIO - COMPOSANTS LAVAGE
WASH TANK COMPONENTS - TEILE F. WASCHZONE
CUBA LAVADO

vsezip.ru

+7(812)987-08-81

380832 AC 201-202-241-242
380836 AC 91-101-122-151-152-182



270121

200927

450143

161308

200491

120501

161127

191040

450315

270101

460502

450516

200815

330910

200815

110362

161102

332003

200469

270409

200410

161311

450134

130620

350774

180101

160782

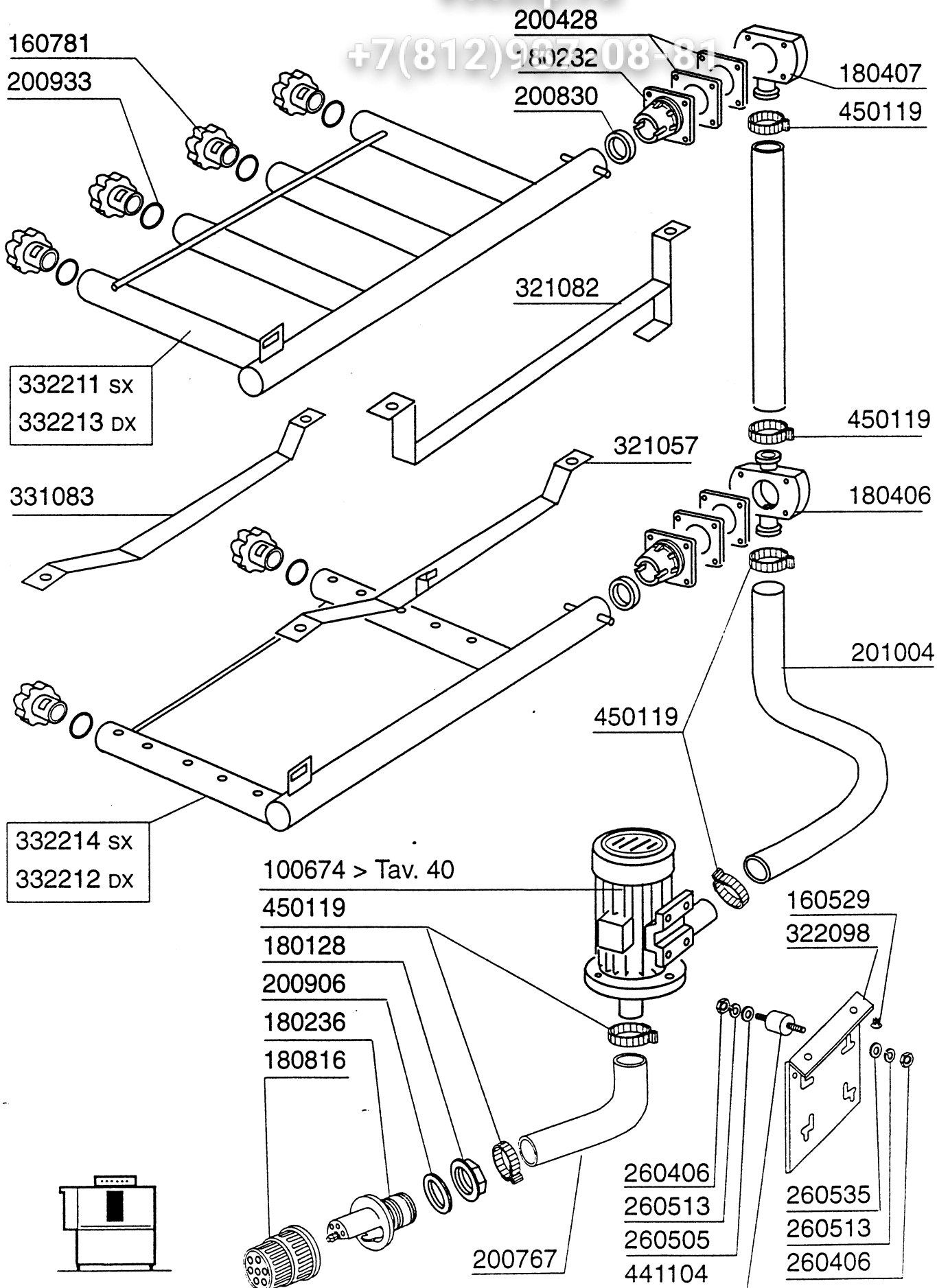
270104

200412

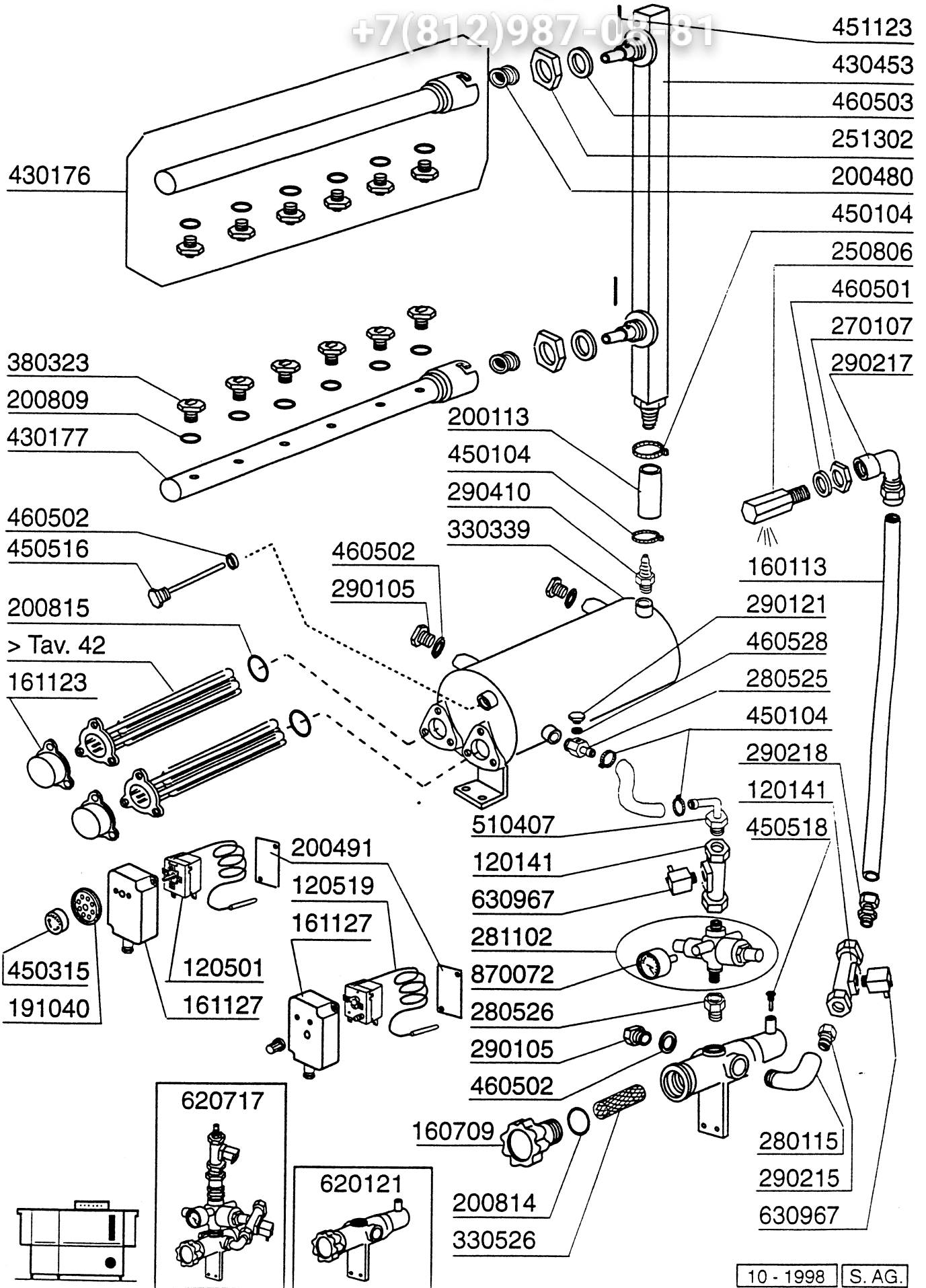
160201

180102

AC 122 - 151 - 152 - 181 - 182 - 201 - 202 - 241 - 242



+7(812)987-05181



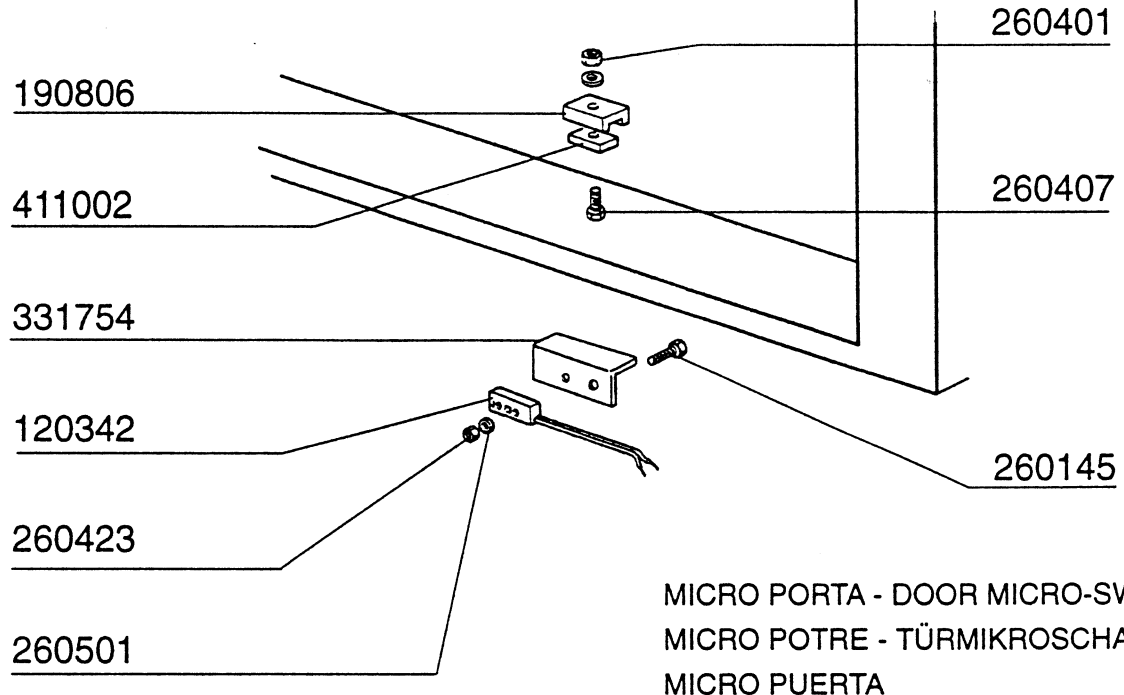
MICRO PORTA - DOOR MICRO-SWITCH - MICRO PORTA
 TÜRMIKROSCHALTER - MICRO PUERTA
 ECONOMIZZATORE - ECONOMISEUR - ECONOMISER
 SPARSCHALTER ECONOMISADOR

Tav. **9**

AC

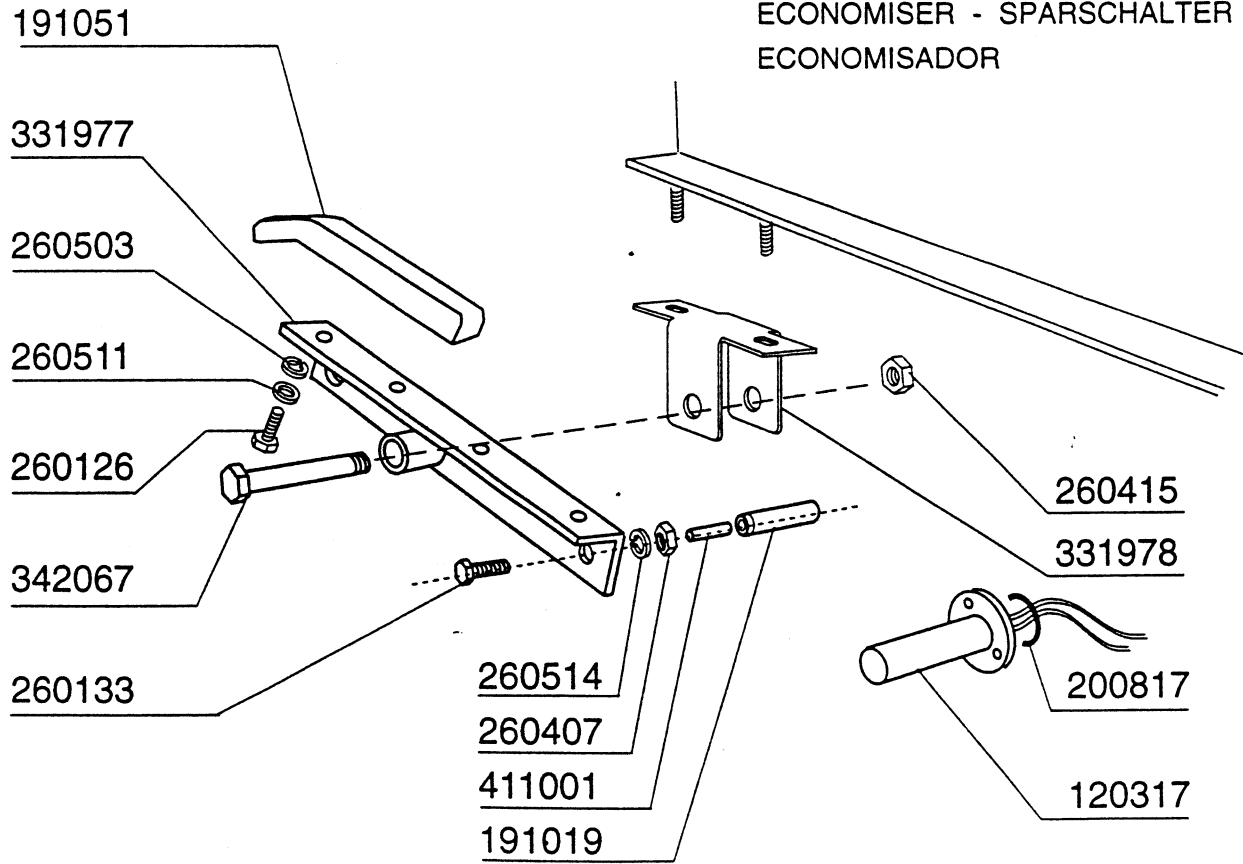
620273

+7(812)987-08-81



MICRO PORTA - DOOR MICRO-SWITCH -
 MICRO POTRE - TÜRMIKROSCHALTER -
 MICRO PUERTA

ECONOMIZZATORE - ECONOMISEUR -
 ECONOMISER - SPARSCHALTER -
 ECONOMISADOR

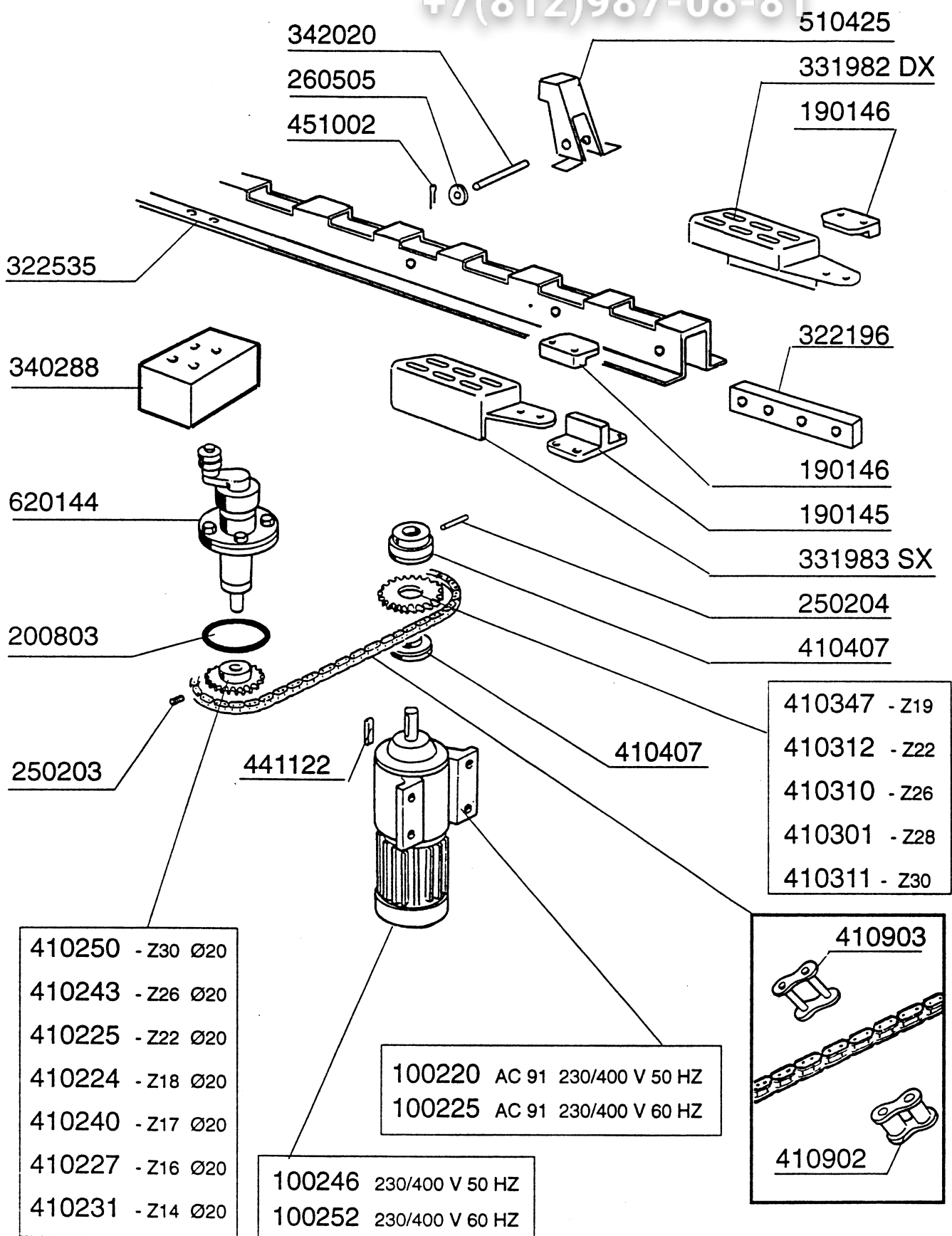


Tav. **10**

AC

GRUPPO TRAINO - GROUPE AVANCEMENT
DRIVE COMPONENTS - TRANSPORTSYSTEM
GRUPO ARRASTRE

+7(812)987-08-81

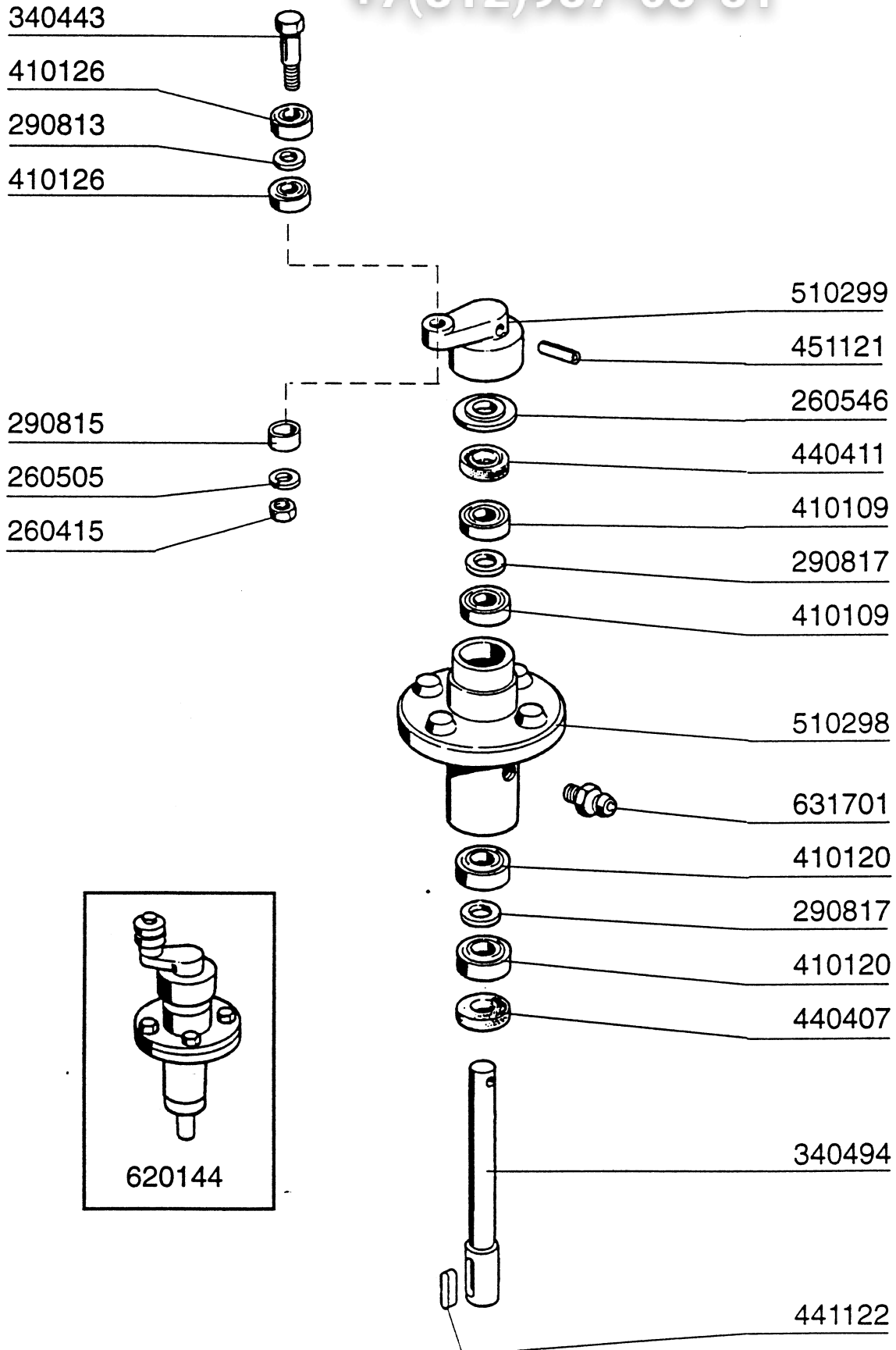


- 410250 - Z30 Ø20
- 410243 - Z26 Ø20
- 410225 - Z22 Ø20
- 410224 - Z18 Ø20
- 410240 - Z17 Ø20
- 410227 - Z16 Ø20
- 410231 - Z14 Ø20

- 100246 230/400 V 50 HZ
- 100252 230/400 V 60 HZ

Зир-Общепит
vsezip.ru

+7(812)987-08-81



AC 122 - 151 - 152 - 181 - 182 - 201 - 202 - 241 - 242

120632 (250 VA)
120634 (300 VA)
120625 (350 VA)

121021 (25 A)
121023 (40 A)
121024 (50 A)
121025 (63 A)

> tav. 43

150710 (10,3 x 38)
150711 (14 x 51)

350774

130620

450128

200129

120715

200921

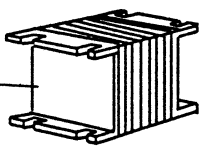
180243

180111

130702

130702

130413



130928

120476



120935

290701

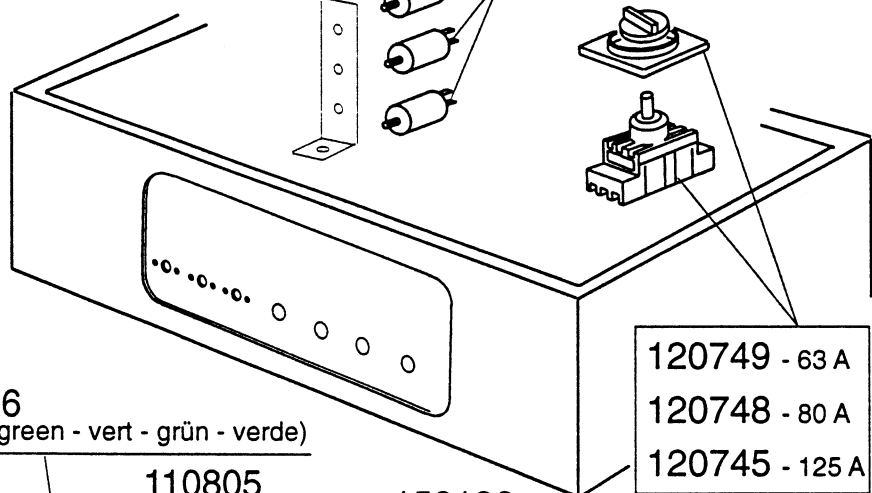
161112

> Tav. 43

> Tav. 43

630977

631214



120749 - 63 A
120748 - 80 A
120745 - 125 A

150106
(verde - green - vert - grün - verde)

150106
(verde - green - vert - grün - verde)

110805

130138

130138

130411

130413

130410

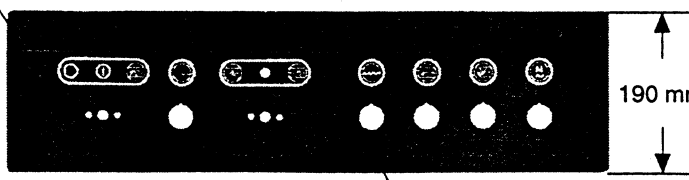
130413

130105
(rosso - red - rouge - rot - rojo)

130138

130701

460873 (121 - 182)



190 mm

460795 (201 - 242)

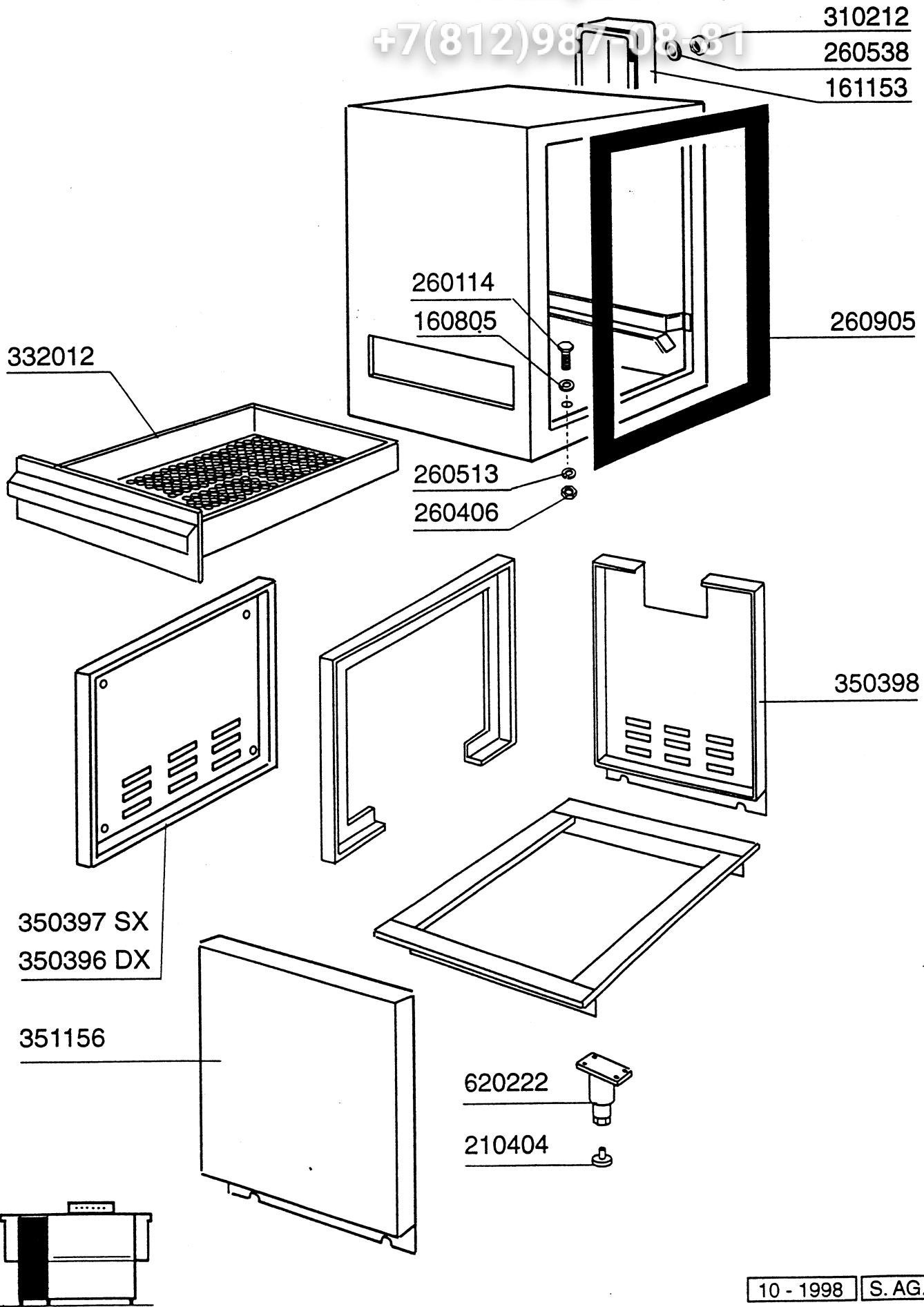
128 mm

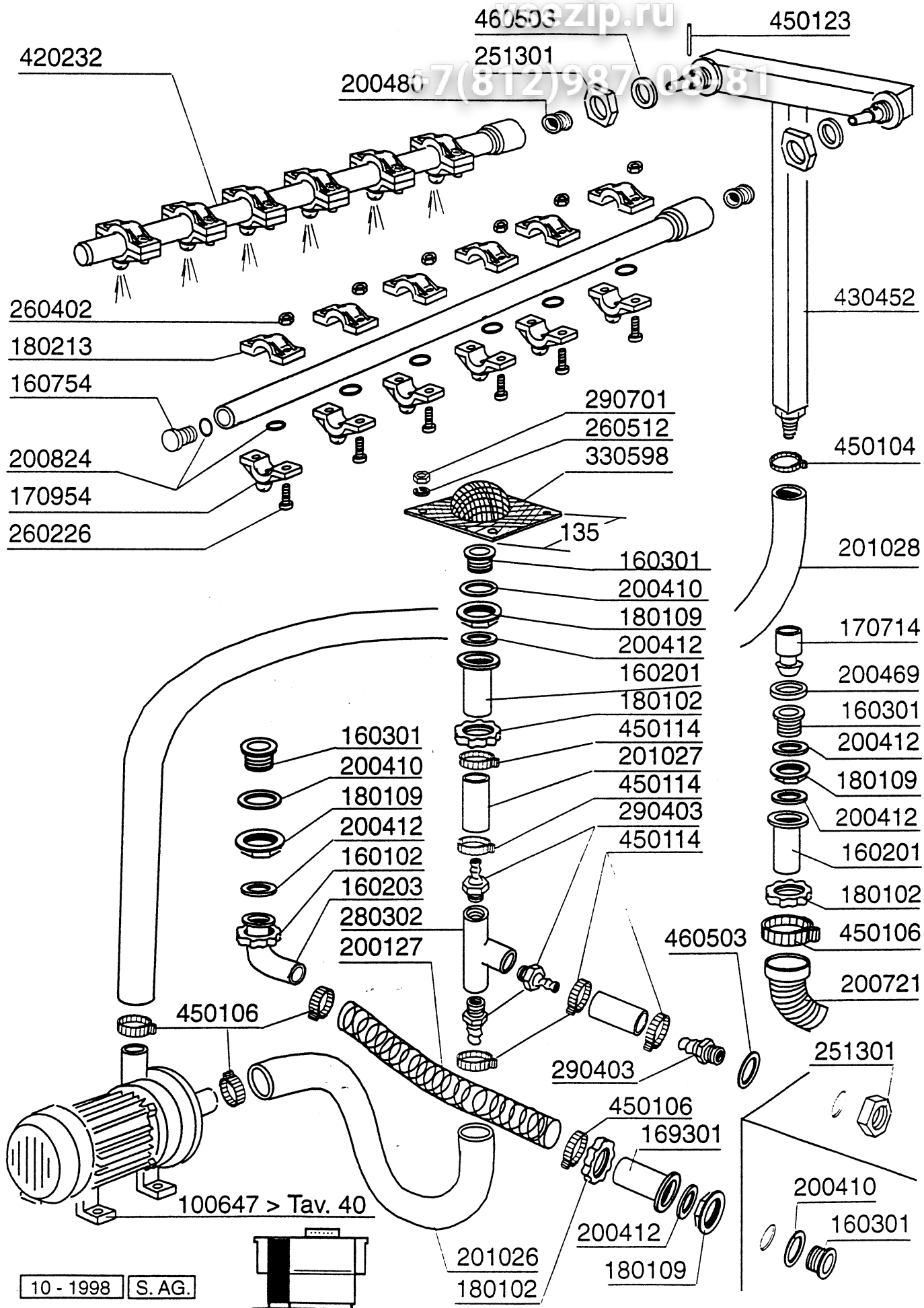
Tav. **16**
AC 151 - 152

CARROZZERIA PRELAVAGGIO - CARROSSERIE PRELAVAGE
KARROSSERIE PUMPENWASCHBECKEN - PREWASH HOOD
CARROCERIA PRELAVADO
400 mm

vsezip.ru

+7(812)987 08 81





Tav. **32**

AC

MENSOLA CARICAMENTO AD ANGOLO
CHARGEUR D'ANGLE
SIDE LOADING TABLE
ECKEINZUG
MESA CARGA EN ANGULO

ASPIRAZIONE PARASPRUZZI -
SAS EXTRACTEUR DES BUEES
VENT HOOD
ABSAUGHAUBE
ASPIRACION VISERA ANTISALPICADURAS

Зип Сепит

ysezip.ru

+7(812)987-08-81

340422

190906

322469 (600)

322464 (700)

510426

451002

260504

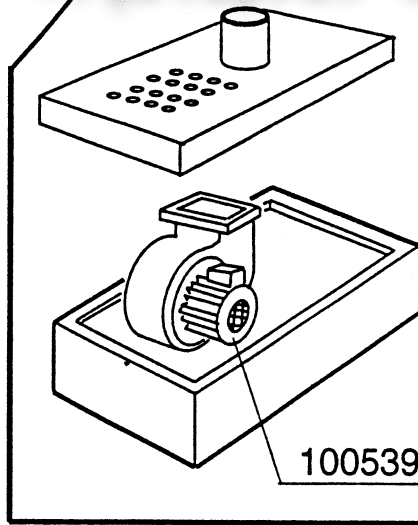
342020

190145

322196

160753

440201



161125

310212

260538

100539 > Tav. 44

160301

200410

331489

330581

450135

200127

450135

180109

200412

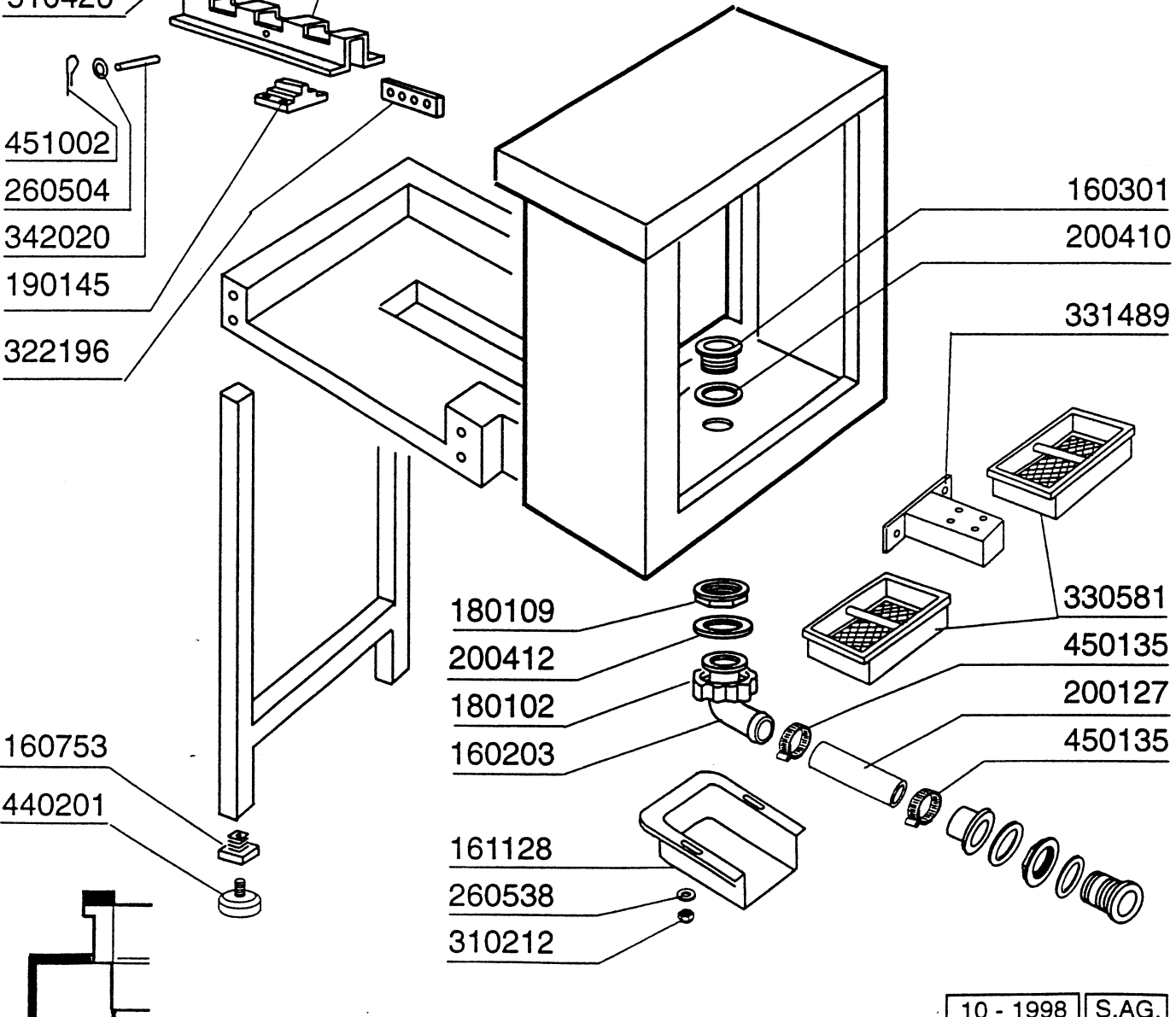
180102

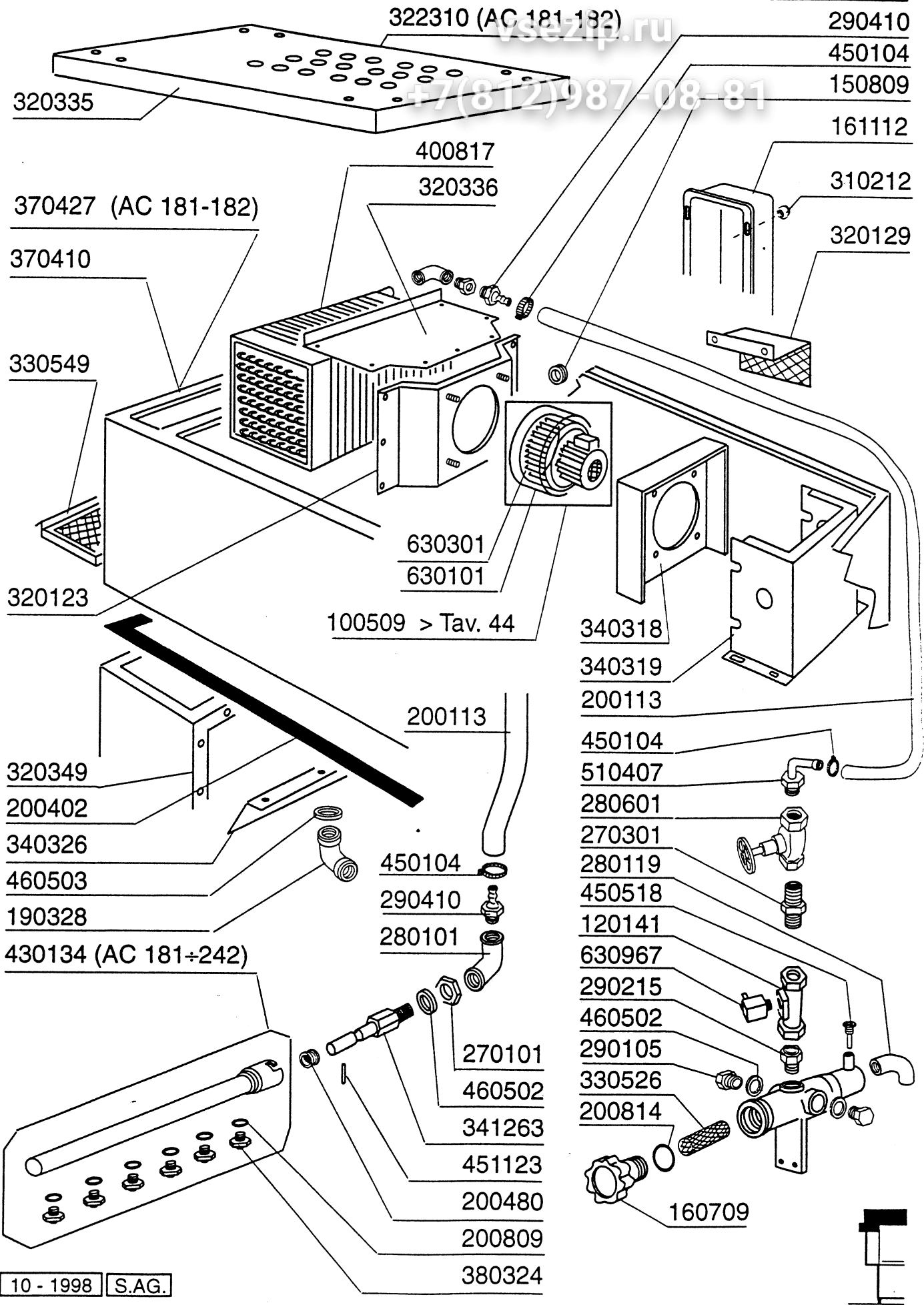
160203

161128

260538

310212



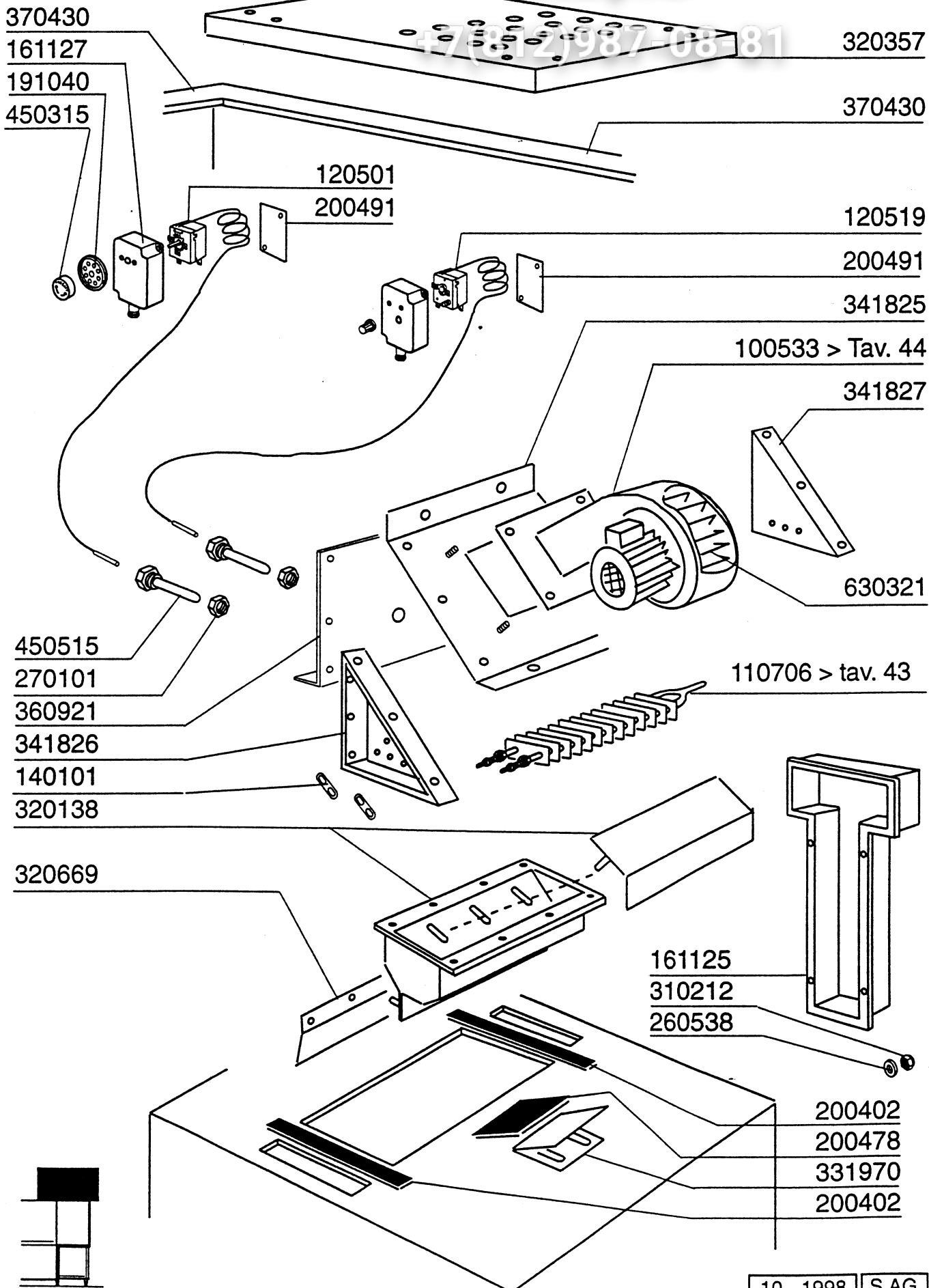


Tav. **34**
AC

ASCIUGATURA ELETTRICA - BLOWER DRYER - SECHAGE
HEISSLUFTTROCKNUNG - SECADO

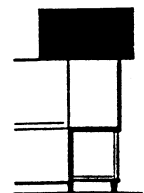
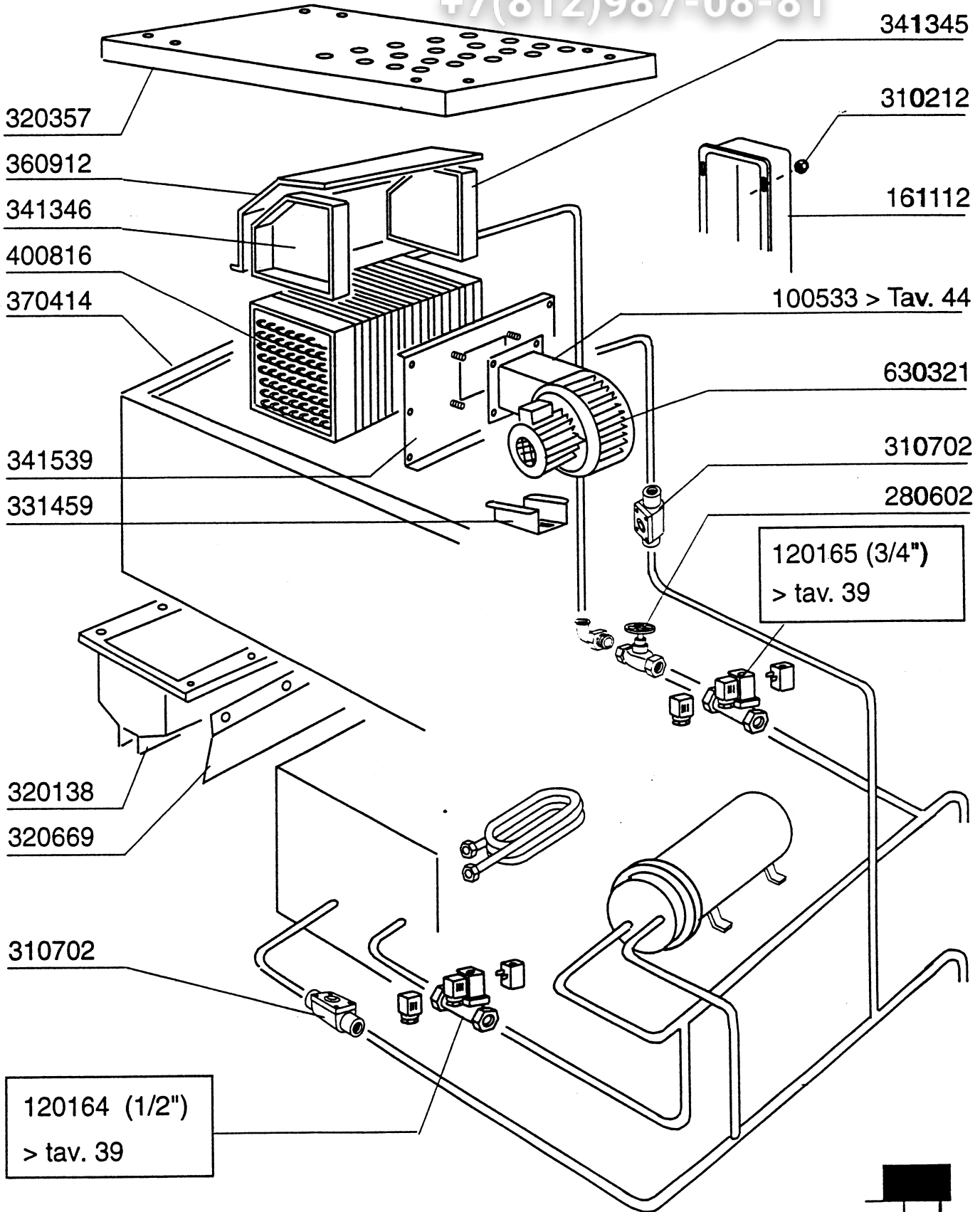
vsezip.ru

+7(812)987-08-81



vsezip.ru

+7(812)987-08-81



Tav. 36

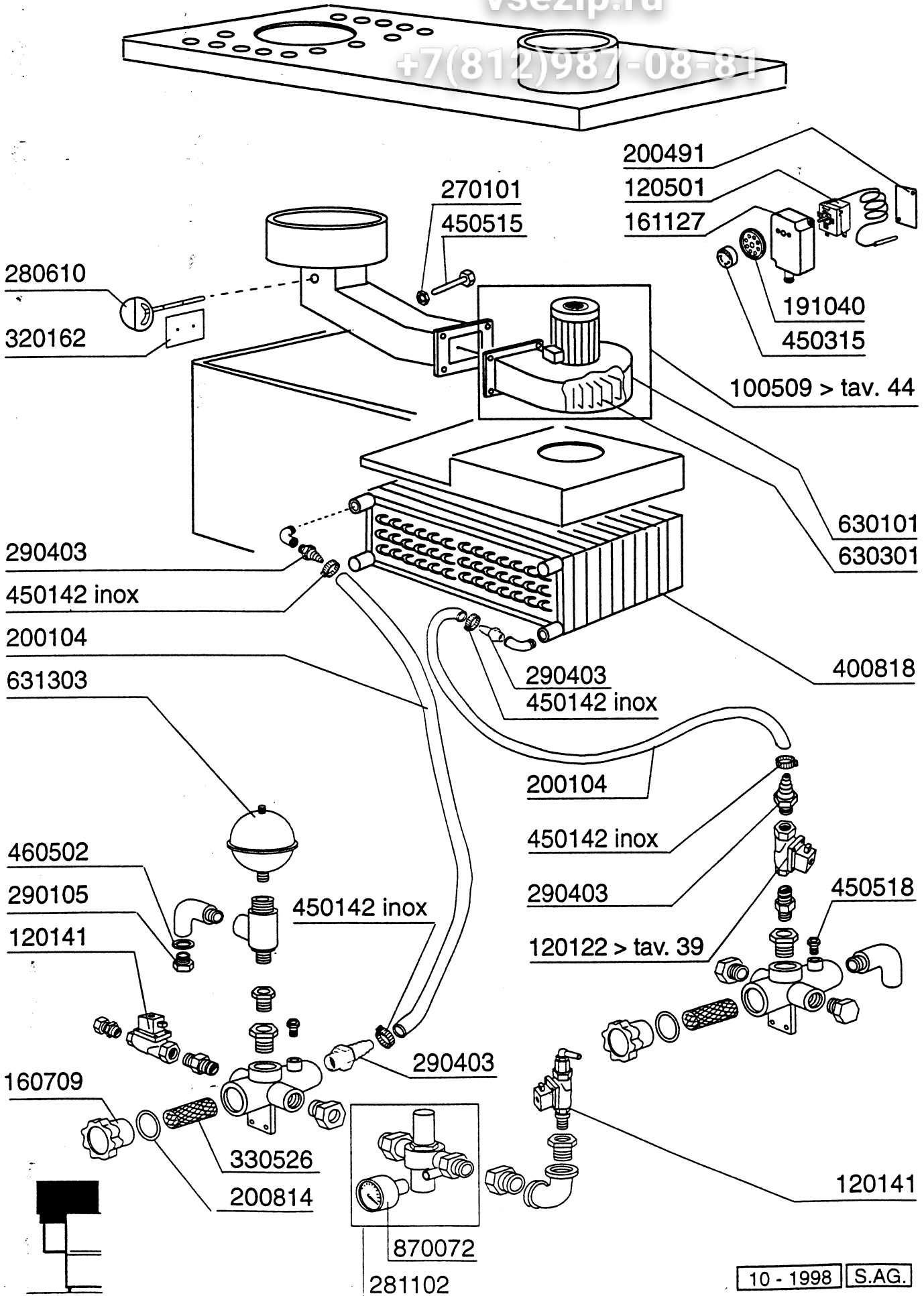
RECUPERATORE DI CALORE COMPATTO - ECONOMISEUR D'ENERGIE
HEAT RECOVERY UNIT COMPACT - WÄRMERÜCKGEWINNUNG KOMPAKT
RECUPERADOR DE CALOR COMPACTO

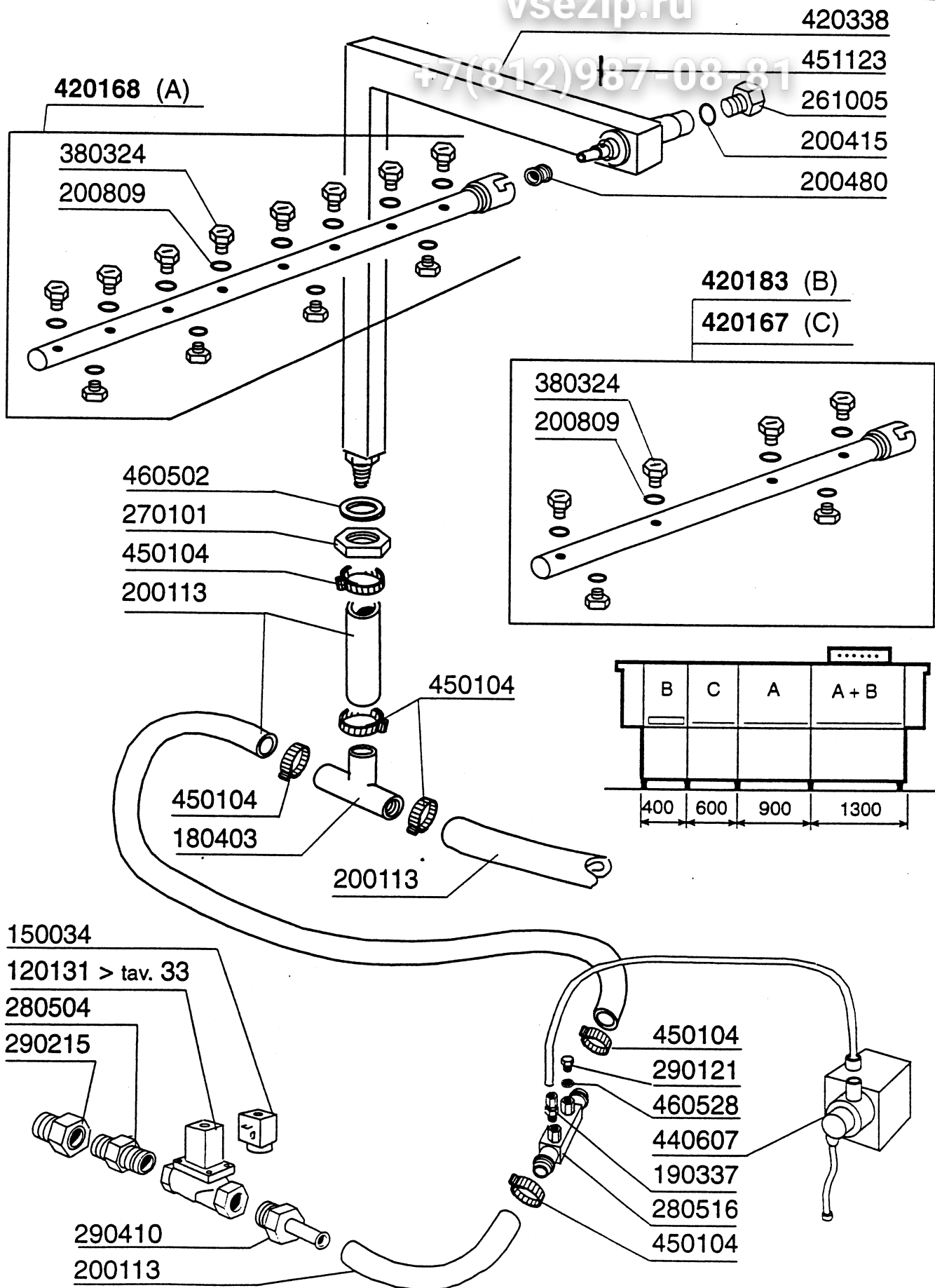
Cod. 620312

AC

vsezip.ru

+7(812)987-08-81

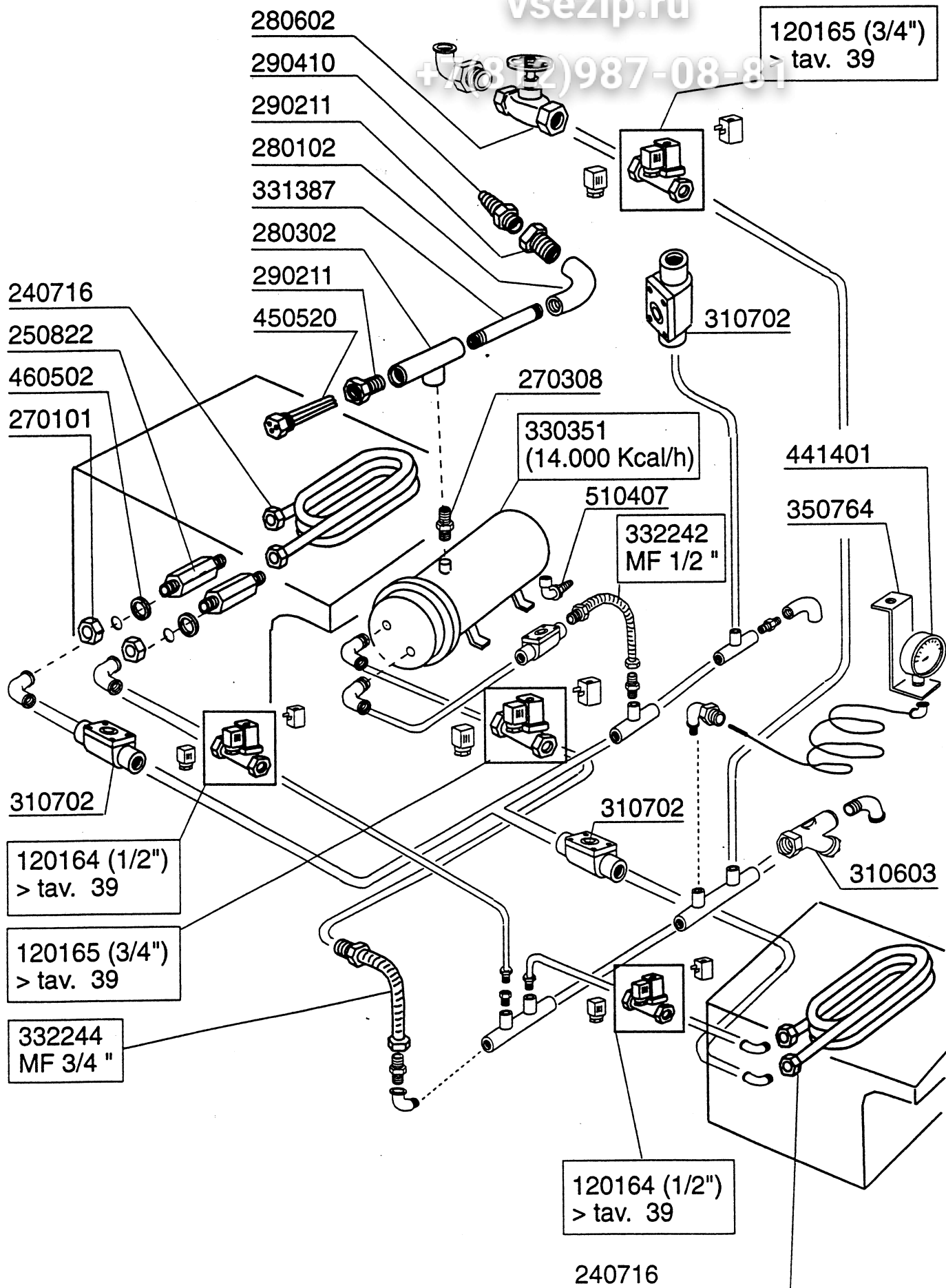




Tav. **38**

AC

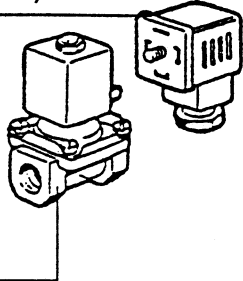
VERSIONE VAPORE - VERSION VAPEUR - STEAM VERSION
DAMPFAUSFUHRUNG - VERSION VAPOR



ELETTROVALVOLA VAPORE - ELECTROVANNE VAPEUR - STEAM SOLENOID VALVE - DAMPF-VENTIL
ELECTROVALVULA VAPOR

vsezip.ru
+7(812)987-08-81

150034 (1/2")
150033 (1" - 3/4")



120164 (1/2")
120165 (3/4")
120166 (1")

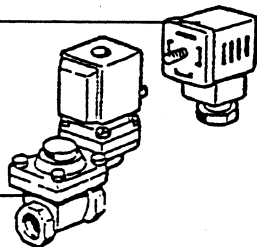
630976 (1")
630972 (1/2" - 3/4")



630627 (1/2")
630628 (3/4")
630629 (1")

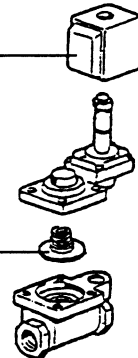
0 ÷ 2 bar

150033



120163 (1")
120162 (3/4")

630972 (1")
630973 (3/4")

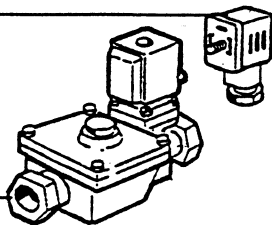


630626 (1")
630625 (3/4")

0,5 ÷ 2,5 bar

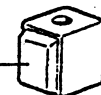
ELETTROVALVOLA ACQUA - ELECTROVANNE EAU - WATER SOLENOID VALVE - WASSER-VENTIL
ELECTROVALVULA AGUA

150034



120122 (3/4")

630948



630609
L180Q17

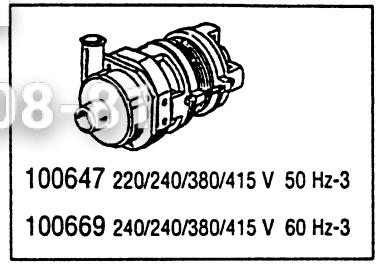
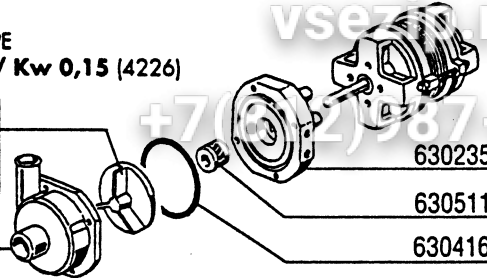


PER RECUPERATORE DI CALORE - POUR ECONOMISEUR D' ENERGIE
FÜR WÄRMERÜCKGEWINNUNG - FOR HEAT RECOVERY UNIT - PARA RECUPERADOR DE CALOR

POMPA PRELAVAGGIO - PREWASH PUMP
 POMPE PRELAVAGE - VORSPÜLUNG PUMPE
 BOMBA PRELAVADO - **400** - HP 0,2 / Kw 0,15 (4226)

INOX ø 60 (60 Hz)
 631675 ø 72 (50 Hz)

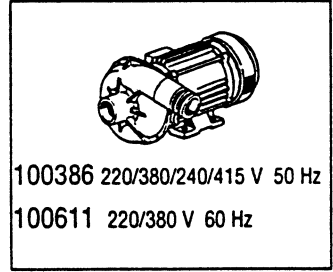
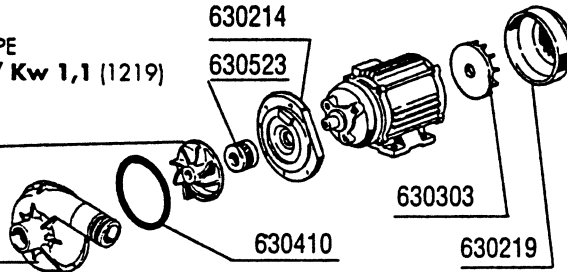
630125



POMPA PRELAVAGGIO - PREWASH PUMP
 POMPE PRELAVAGE - VORSPÜLUNG PUMPE
 BOMBA PRELAVADO - **600** - HP 1,5 / Kw 1,1 (1219)

631643 (60 Hz)
 631656 (50 Hz)

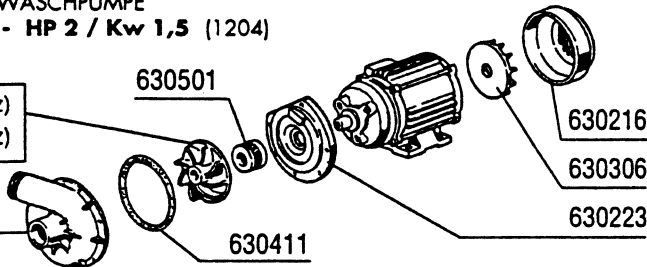
630113



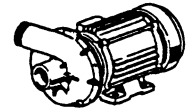
POMPA LAVAGGIO - WASH PUMP
 POMPE LAVAGE - WASCHPUMPE
 BOMBA LAVADO - **HP 2 / Kw 1,5** (1204)

631618 (50 Hz)
 631647 (60 Hz)

630114



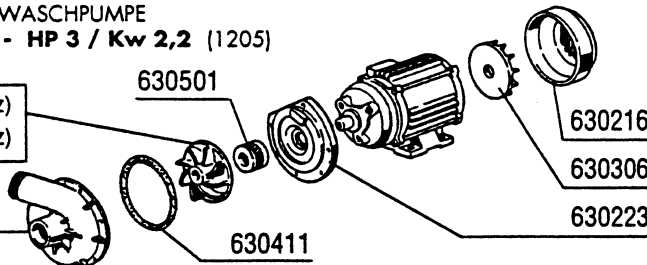
100361 (220/380 V 50 Hz)
 (240/415 V 50 Hz)
 100605 (220/380 V 60 Hz)
 100613 (250/440 V 60 Hz)



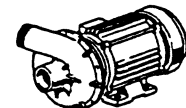
POMPA LAVAGGIO - WASH PUMP
 POMPE LAVAGE - WASCHPUMPE
 BOMBA LAVADO - **HP 3 / Kw 2,2** (1205)

631620 (50 Hz)
 631647 (60 Hz)

630114



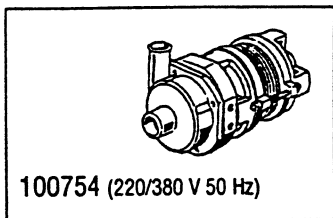
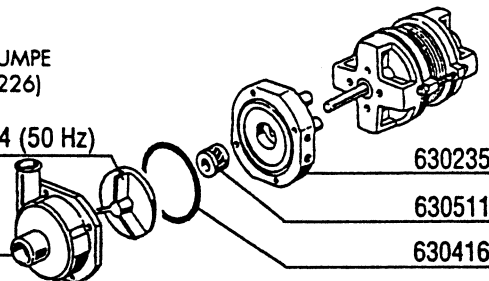
100674 (220/380 V 50 Hz)
 (240/415 V 50 Hz)
 100690 (220/380 V 60 Hz)
 (250/440 V 60 Hz)



POMPA ECORINSE - ECORINSE PUMP
 POMPE ECORINSE - DOPPELNACHSPÜLUNG PUMPE
 BOMBA ECORINSE - **HP 0,2 / Kw 0,15** (4226)

631687 INOX ø 64 (50 Hz)

630125



COMPONENTI ELETTRICI POMPE - COMPOSANTS ELECTRIQUES POMPES - ELECTRICAL PARTS FOR PUMPS - ELEKTRISCHE TEILE FÜR PUMPEN - PIEZOS ELECTRICOS PARA BOMBAS

220 / 240 V

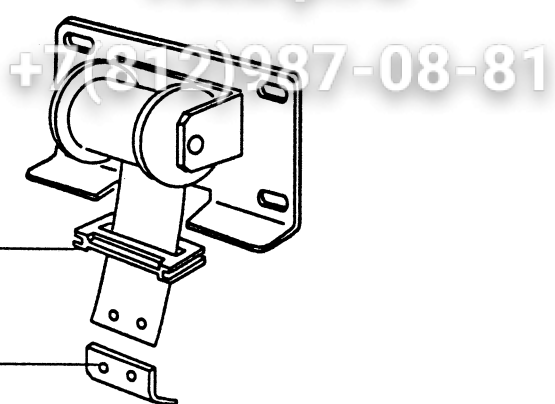
380 / 415 V

| POMPA - POMPE PUMP - PUMPE BOMBA | | FUSIBILI - FUSIBLE - FUSE SCHMELZSICHERUNG FUSIBLE | | TELERUTTORE - CONTACTEUR CONTACTOR - SCHALTSCHÜTZ CONTACTOR | | TERMICA - TERMIQUE OVERLOAD RELAY TERMOAUSLÖSER - TERMICO | | FUSIBILI - FUSIBLE - FUSE SCHMELZSICHERUNG FUSIBLE | | TELERUTTORE - CONTACTEUR CONTACTOR - SCHALTSCHÜTZ CONTACTOR | | TERMICA - TERMIQUE OVERLOAD RELAY TERMOAUSLÖSER - TERMICO | |
|--|------|--|--------|---|--------|---|--------|--|--------|---|--------|---|--------|
| HP | Kw | A | cod. | A | cod. | A | cod. | A | cod. | A | cod. | A | cod. |
| 0,2 | 0,15 | 4 | 130230 | 9 | 120468 | 1,00 + 1,6 | 120848 | 2 | 130260 | 9 | 120468 | 0,4 + 0,63 | 120846 |
| 1,5 | 1,1 | 8 | 130232 | 9 | 120468 | 4 + 6 | 120851 | 4 | 130230 | 9 | 120468 | 2,5 + 4 | 120850 |
| 2 | 1,5 | 8 | 130232 | 9 | 120468 | 5,5 + 8 | 120852 | 6 | 130231 | 9 | 120468 | 4,5 + 6,5 | 120851 |
| 3 | 2,2 | 12 | 130234 | 9 | 120468 | 7 + 10 | 120853 | 6 | 130231 | 9 | 120468 | 4,5 + 6,5 | 120851 |

MOLLE PER BILANCIAMENTO PORTE (doppia parete) - RESSORTS PORTES ISOLEES
 SPRING FOR DOORS COUNTERBALANCING
 FEDERN ZUM TÜRGEWICHTSAUSGLEICH - MUELLE COMPENSACION PUERTA

Tav. **41**

AC



190651

331430

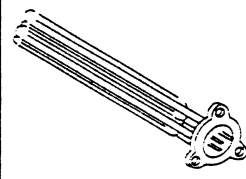
| Cod. | | 391309 | 391318 | 391331 | 391332 |
|--|------|----------|----------|-----------|-----------|
| | | Kg 4 | Kg 4,5 | Kg 5 | Kg 5,5 |
| Tipo porta Type porte Door type Türtyp Modelo puerta | Kg | | | | |
| AC 1300 | 20,5 | | 2 (9 Kg) | 2 (10 Kg) | |
| AC 900 | 13,2 | | | | 2 (11 Kg) |
| AC 600 | 8,8 | 2 (8 Kg) | | | |

Tav. 42

RESISTENZE - RESISTANCES - HEATING ELEMENTS
HEIZKÖRPER - RESISTENCIAS


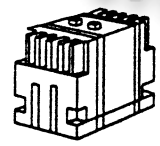

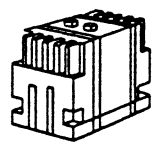
AC


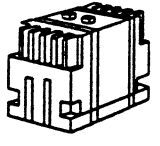

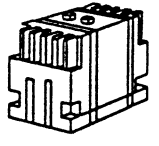
| MODELLO MODELE MODEL MODELL MODELO | PRELAVAGGIO PRELAVAGE VORABRÄUMUNG PREWASH PRELAVADO | 1° LAVAGGIO 1 ^{ER} LAVAGE 1 ST WASH 1. WASCHEM 1. LAVADO | 2° LAV. 2 ^{ME} LAV. 2 ND WASH 2. WAS. 2. LAV. | RISCIACQUO - RINCAGE RINSE - NACHSPÜLUNG ACLARADO 50 °C | RISCIACQUO - RINCAGE RINSE - NACHSPÜLUNG ACLARADO 15 °C |
|--|--|--|---|--|--|
| AC 91 | | 1 x 9 kW | | 1 x 12,5 kW | 1 x 10 kW 1 x 12,5 kW |
| AC 101 | | 1 x 9 kW | | 1 x 14 kW | 2 x 12,5 kW |
| AC 122 | | 1 x 9 kW | | 1 x 12,5 kW | 1 x 10 kW 1 x 12,5 kW |
| AC 151 | | 1 x 9 kW | | 2 x 10 kW | 1 x 10 kW 2 x 12,5 kW |
| AC 152 | | 1 x 9 kW | | 2 x 8 kW | 1 x 10 kW 2 x 9 kW |
| AC 151 RC | | 1 x 9 kW | | | 1 x 10 kW 1 x 12,5 kW |
| AC 152 RC | | 1 x 9 kW | | | 2 x 9 kW |
| AC 181 | | 1 x 9 kW | | 2 x 10 kW | 2 x 12,5 kW 1 x 10 kW |
| AC 182 | | 1 x 9 kW | | 2 x 9 kW | 3 x 10 kW |
| AC 181 RC | | 1 x 9 kW | | | 1 x 9 kW 1 x 8 kW 1 x 6 kW |
| AC 182 RC | | 1 x 9 kW | | | 2 x 10 kW |
| AC 201 | 1 x 9 kW | 1 x 9 kW | | 2 x 10 kW | 1 X 10 kW 2 x 12,5 kW |
| AC 202 | 1 x 9 kW | 1 x 9 kW | | 2 x 9 kW | 3 x 10 kW |
| AC 201 RC | 1 x 9 kW | 1 x 9 kW | | | 1 x 9 kW 1 x 8 kW 1 x 6 kW |
| AC 202 RC | 1 x 9 kW | 1 x 9 kW | | | 2 x 10 kW |
| AC 241 | 1 x 9 kW | 1 x 9 kW | 1 x 9 kW | 2 x 10 kW | 1 x 10 kW 2 x 12,5 kW |
| AC 242 | 1 x 9 kW | 1 x 9 kW | 1 x 9 kW | 2 x 10 kW | 3 x 10 kW |
| AC 241 RC | 1 x 9 kW | 1 x 9 kW | 1 x 9 kW | | 1 x 9 kW 1 x 8 kW 1 x 6 kW |
| AC 242 RC | 1 x 9 kW | 1 x 9 kW | 1 x 9 kW | | 1 x 9 kW 2 x 6 kW |

| | 220/380 V | 240/415 V |
|---|-----------|-----------|
|  6 kW | 110349 | 110383 |
| 8 kW | 110343 | 110365 |
| 9 kW | 110362 | 110343 |
| 10 kW | 110388 | 110381 |
| 12,5 kW | 110367 | 110382 |
| 14 kW | 110386 | 110385 |

10 - 1998

S.AG.

| | | 220/240 V | | | 380/415 V | | | | |
|------|----|---|---|---|--|---|----|---|--|
| | |  |  | |  |  | | | |
| KW | A | FUSIBILI FUSIBLE FUZE SCHMELZSICHERUNG FUSIBLE | A | TELERUTTORE CONTACTEUR CONTACTOR SCHALTSCHÜTZ CONTACTOR | A | FUSIBILI FUSIBLE FUZE SCHMELZSICHERUNG FUSIBLE | A | TELERUTTORE CONTACTEUR CONTACTOR SCHALTSCHÜTZ CONTACTOR | |
| 9 | 32 | 130237 | 26 | 120471 | 20 | 130248 | 12 | 120469 | |
| 12,5 | 40 | 130238 | 30 | 120472 | 25 | 130236 | 26 | 120471 | |
| 14 | 40 | 130238 | 30 | 120472 | 32 | 130237 | 26 | 120471 | |
| 16 | 50 | 130257 | 40 | 120473 | 32 | 130237 | 30 | 120472 | |
| 18 | 63 | 130239 | 40 | 120473 | 40 | 130237 | 30 | 120472 | |
| 20 | 63 | 130239 | 50 | 120474 | 40 | 130237 | 30 | 120472 | |
| | | | | | | | | | |
| | | | | | | | | | |
| | | | | | | | | | |
| | | | | | | | | | |

| ASCIUGATURA - SECHAGE - DRYER - TROCKNUNG - SECADO | | | | | | | | | |
|--|----|---|---|---|--|---|---|---|--|
| | | 220/240 V | | | 380/415 V | | | | |
| | |  |  | |  |  | | | |
| KW | A | FUSIBILI FUSIBLE FUZE SCHMELZSICHERUNG FUSIBLE | A | TELERUTTORE CONTACTEUR CONTACTOR SCHALTSCHÜTZ CONTACTOR | A | FUSIBILI FUSIBLE FUZE SCHMELZSICHERUNG FUSIBLE | A | TELERUTTORE CONTACTEUR CONTACTOR SCHALTSCHÜTZ CONTACTOR | |
| 4,5 | 12 | 130236 | 9 | 120468 | 10 | 130269 | 9 | 120468 | |
| 6 | 20 | 130248 | 12 | 120469 | 12 | 130248 | 9 | 120468 | |


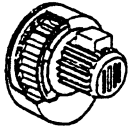
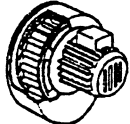
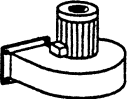
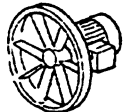
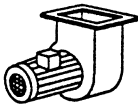
Tav. **44****AC**

MOTORI - MOTEUR - MOTORS - MOTEREN - MOTOR

Зип Общежит

vsezip.ru

+7(812)987-08-81

| | KW | 220/240 V 3 ~ | | | | | 380/415 V 3 ~ | | | | | | |
|---|--------------|---|---|---|---------|--|---------------|---|---|---|------------------------|--|---|
| | | TELERUTTORE CONTACTEUR CONTACTOR SCHALTSCHÜTZ CONTACTOR | A | TERMICA TERMIQUE OVERLOAD RELAY TERMOAUSLÖSER TERMICO | A | FUSIBILI FUSIBLE FUSE SCHMELZSICHERUNG FUSIBLE | A | TELERUTTORE CONTACTEUR CONTACTOR SCHALTSCHÜTZ CONTACTOR | A | TERMICA TERMIQUE OVERLOAD RELAY TERMOAUSLÖSER TERMICO | A | FUSIBILI FUSIBLE FUSE SCHMELZSICHERUNG FUSIBLE | A |
|  | 0,12 0,15 | 120468 | 9 | | 1 + 1,6 | 130260 | 2 | 120468 | 9 | 120858 120859 | 0,4 + 0,63 0,63 + 1 | 130260 | 2 |
|  | 0,75 | 120468 | 9 | 120863 | 2,8 + 4 | 130230 | 4 | 120468 | 9 | 120862 | 1,7 + 2,4 | 130230 | 4 |
|   | 0,55 | 120468 | 9 | 120863 | 2,8 + 4 | 130230 | 4 | 120468 | 9 | 120860 | 1 + 1,4 | 130260 | 2 |
|  | 0,55 | 120468 | 9 | 120863 | 2,8 + 4 | 130230 | 4 | 120468 | 9 | 120862 | 1,7 + 2,4 | 130230 | 4 |
|  | 0,09 | 120468 | 9 | — | — | 130259 | 1 | 120468 | 9 | — | — | 130259 | 1 |