

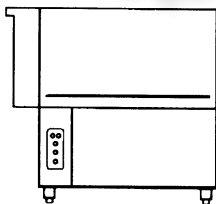
**CATALOGO RICAMBI
PIECES DETACHEES
SPARE PARTS BOOK
ERSATZTEILE
LISTA DE RECAMBIOS**

Зип Общепит

vsezip.ru

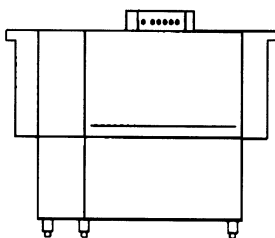
Ed. 03/99-Rev. 0

+7(812)987-08-81



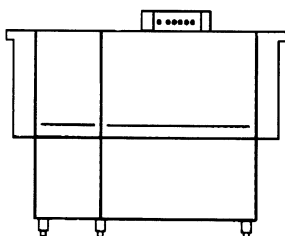
EDT 85/100

AC 91/101



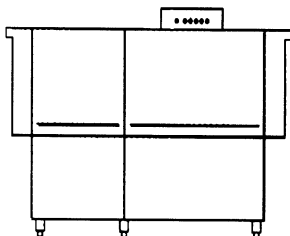
EDT 140

AC 151



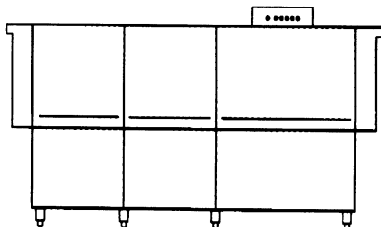
EDT 170

AC 181



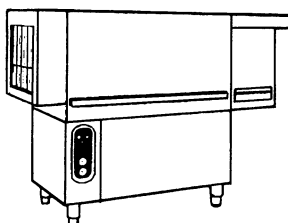
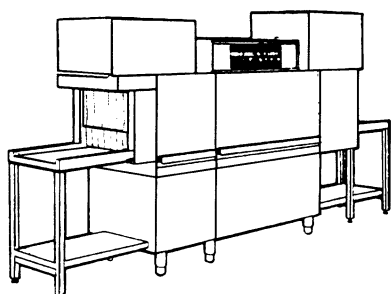
EDT 200

AC 201



EDT 230

AC 241



EDT

AC

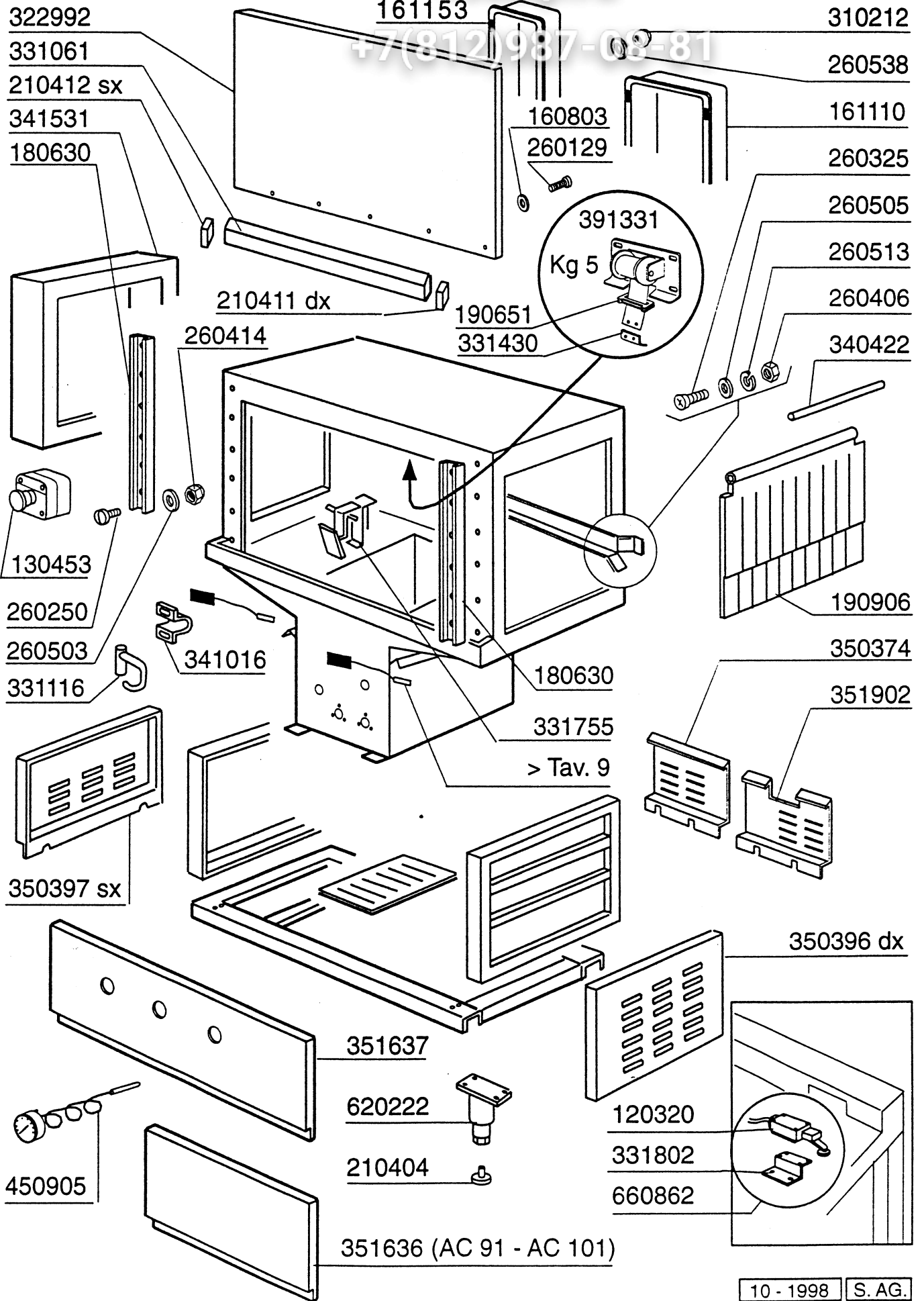
| TAV. | INDICE - INDEX - INDEX - INHALTSVERZEICHNIS - INDICE | |
|------|--|--|
| 1 | AC | CARROZZERIA LAVAGGIO - CARROSSERIE LAVAGE - WASH HOOD - KARROSSERIE WASCHZONE - CARROCERIA LAVADO |
| 2 | | COMPONENTI VASCA LAVAGGIO - COMPOSANTS LAVAGE - WASCH TANK COMPONENTS - TEILE F. WASCHZONE - CUBA LAVADO |
| 3 | AC 91 - 101 | COLONNA LAVAGGIO - COLONNE LAVAGE - WASCH ASSEMBLY - WASCHROHR - COLUMNNA LAVADO |
| 4 | | LAVAGGIO SUPERIORE/INFERIORE - BRAS LAVAGE SUPERIEUR/INFERIEUR - UPPER WASH ARMS/LOWER WASH ARMS - OBERE/UNTERE WASCH ARME - BRAZOS LAVADO SUPERIOR/INFERIOR |
| 5 | AC 122 151 - 152 181 - 182 201 - 202 241 - 242 | COLONNA LAVAGGIO - COLONNE LAVAGE - WASCH ASSEMBLY - WASCHROHR - COLUMNNA LAVADO |
| 6 | AC 91 101 - 122 | COLONNA RISCIACQUO - COLONNE RINCAGE - RINSE ASSEMBLY - NACHSPÜLUNGSROHR - COLUMNNA ACLARADO |
| 7 | AC 151 - 152 181 - 182 | COLONNA RISCIACQUO - COLONNE RINCAGE - RINSE ASSEMBLY - NACHSPÜLUNGSROHR - COLUMNNA ACLARADO |
| 8 | AC 201 - 202 251 - 252 | COLONNA RISCIACQUO - COLONNE RINCAGE - RINSE ASSEMBLY - NACHSPÜLUNGSROHR - COLUMNNA ACLARADO |
| 9 | AC | MICRO PORTA - DOOR MICRO-SWITCH - MICRO PORTE - TÜRMIKROSCHALTER - MICRO PUERTA ECONOMIZZATORE - ECONOMISEUR - ECONOMISER - SPARSCHALTER - ECONOMISADOR |
| 10 | | GRUPPO TRAINO - GROUPE AVANCEMENT - DRIVE COMPONENTS - TRANSPORTSYSTEM - GRUPO ARRASTRE |
| 11 | | TRAINO - GROUPE AVANCEMENT - DRIVING UNIT - ANTRIEB - ARRASTRE |
| 12 | AC 91 - 101 | CASSETTA ELETTRICA - TABLEAU ELECTRIQUE - CONTROL BOX - E-SCHRANK - CAJA ELECTRICA |
| 13 | | PANNELLO COMANDI - TABLEAU ELECTRIQUE - CONTROL BOX - E-SCHRANK - CAJA ELECTRICA |
| 14 | AC 122 151 - 152 181 - 182 201 - 202 241 - 242 | CASSETTA ELETTRICA - TABLEAU ELECTRIQUE - CONTROL BOX - E-SCHRANK - CAJA ELECTRICA |
| 15 | AC 91 101 - 122 | DETREMPE (prelavaggio leggero) - DETREMPE - LIGHT PREWASH - LEICHTE VORABRÄUMUNG - DETREMPE |
| 16 | AC 151 - 152 | CARROZZERIA PRELAVAGGIO - CARROSSERIE PRELAVAGE - PREWASH HOOD KARROSSERIE PUMPENVBORABRÄUMUNG - CARROCERIA PRELAVADO 400 mm |
| 17 | | COLONNA PRELAVAGGIO - COLONNE PRELAVAGE - PREWASH ASSEMBLY - WASCHROHR - COLUMNNA PRELAVADO 400 mm |

| TAV. | INDICE - INDEX - INDEX - INHALTSVERZEICHNIS - INDICE | | |
|------|--|--|---|
| 18 | AC 181 - 182 | CARROZZERIA PRELAVAGGIO - CARROSSERIE PRELAVAGE - PREWASH HOOD - KARROSSERIE PUMPENVORABRÄUMUNG - CARROCERIA PRELAVADO 600 mm | |
| 19 | | VASCA PRELAVAGGIO - CUVE PRELAVAGE - VORKWASCHTANK - PREWASH TANK - CUBA PRELAVADO 600 mm | |
| 20 | | COLONNA PRELAVAGGIO - COLONNE PRELAVAGE - PREWASH ASSEMBLY - WASCHROHR - COLUMN PRELAVADO - 600 mm | |
| 21 | | CARROZZERIA PRELAVAGGIO ANGOLO - CARROSSERIE PRELAVAGE EN ANGLE - CORNER PREWASH HOOD - KARROSSERIE ECKUMPENVORABRÄUMUNG - CARROCERIA PRELAVADO EN ANGULO - 600 mm | |
| 22 | AC 201 - 202 | CARROZZERIA PRELAVAGGIO - CARROSSERIE PRELAVAGE - PREWASH HOOD - KARROSSERIE PUMPENVORABRÄUMUNG - CARROCERIA PRELAVADO - 900 mm. | |
| 23 | | VASCA PRELAVAGGIO - CUVE PRELAVAGE - PREWASH TANK - VORKWASCHTANK - CUBA PRELAVADO - 900 mm | |
| 24 | | COLONNA PRELAVAGGIO - COLONNE PRELAVAGE - PREWASH ASSEMBLY - WASCHROHR - COLUMN PRELAVADO - 900 mm | |
| 25 | | CARROZZERIA LAVAGGIO - CARROSSERIE LAVAGE - WASH HOOD KARROSSERIE WASCHZONE - CARROCERIA LAVADO - 900 mm | |
| 26 | AC 241- 242 | VASCA LAVAGGIO - CUVE LAVAGE - WASH TANK - VORKWASCHTANK - CUBA LAVADO - 900 mm | |
| 27 | | COLONNA LAVAGGIO - COLONNE LAVAGE - WASH ASSEMBLY - WASCHROHR - COLUMN LAVADO - 900 mm | |
| 28 | | COMPONENTI LAVAGGIO ANGOLO - COMPOSANTS LAVAGE ANGLE - CORNER WASH TANK COMPONENTS - TEILE F. ECKWASCHZONE - CUBA LAVADO EN ANGULO | |
| 29 | AC 201- 202 241- 242 | COLONNA LAVAGGIO ANGOLO - COLONNE LAVAGE ANGLE - CORNER WASH ASSEMBLY - ECKWASCHSYSTEM - COLUMN LAVADO EN ANGULO | |
| 30 | | GUIDA TRAINO ANGOLO - RAIL AVANCEMENT ANGLE CORNER - DRIVE GUIDE FÜHRUNG FÜR ECKTRANSPORTSYSTEM - GUJAARRASTRE ANGULO | |
| 31 | AC 122 152 - 182 202 - 242 | ECORINSE | |
| 32 | AC | MENSOLA CARICAMENTO AD ANGOLO CHARGEUR D'ANGLE SIDE LOADING TABLE ECKEINZUG MESA CARGA EN ANGULO | ASPIRAZIONE PARASPRUZZI - SAS EXTRACTEUR DES BUEES VENT HOOD ABSAUGHAUBE ASPIRACION VISERA ANTISALPICADURAS |
| 33 | AC | CONDENSA VAPORI - CONDENSEUR BUÉE - STEAM CONDENSER - WRASENABSAUGUNG - CONDENSA VAPORES - Cod. 620305 | |

| TAV. | INDICE - INDEX - INDEX - INHALTS VERZEICHNIS - INDICE | |
|------|---|--|
| 34 | | ASCIUGATURA ELETTRICA - SECHAGE - BLOWER DRYER HEISSLUFTTROCKNUNG - SECADO |
| 35 | | ASCIUGATURA A VAPORE - SECHAGE A VAPEUR - STEAM BLOWER DRYER DAMPF HEISSLUFTTROCKNUNG - SECADO VAPOR |
| 36 | | RECUPERATORE DI CALORE COMPATTO - ECONOMISEUR D'ENERGIE - HEAT RECOVERY UNIT COMPACT - WÄRMERÜCKGEWINNUNG KOMPAKT - RECUPERADOR DE CALOR COMPACTO - Cod. 620312 |
| 37 | | AUTOLAVAGGIO - AUTOLAVAGE - SELF CLEANING - SELBSTREINIGUNG - SISTEMA DE AUTO LIMPIEZA |
| 38 | | VERSIONE VAPORE - VERSION VAPEUR - STEAM VERSION - DAMPFAUSFÜHRUNG - VERSION VAPOR |
| 39 | AC | ELETTRORVALVOLE - ELECTROVANNES - SOLENOID VALVE - E-VENTIL - ELECTROVALVULAS |
| 40 | | POMPE - PUMPS - POMPES - PUMPEN - BOMBAS |
| 41 | | MOLLE BILANCIAMENTO PORTE (doppia parete) - RESSORTS PORTES ISOLEES - SPRING FOR DOORS COUNTERBALANCING - FEDERN ZUM TÜRGEWICHTSAUSGLEICH - MUELLE COMPENSACION PUERTA |
| 42 | | RESISTENZE - RESISTANCES - HEATING ELEMENTS - HEIZKÖRPER - RESISTENCIAS |
| 43 | | COMPONENTI ELETTRICI RESISTENZE - COMPOSANTS ELECTRIQUES RESISTENCES ELECTRICAL PARTS FOR HEATINGS ELEMENTS - ELEKTRISCHE TEILE FÜR HEIZKÖRPER - PIEZOS ELECTRICOS PARA RESISTENCIAS |
| 44 | | MOTORI - MOTEUR - MOTORS - MOTOREN - MOTOR |
| | | |

vsezip.ru

+7(812)987-08-81



Tav. **2**

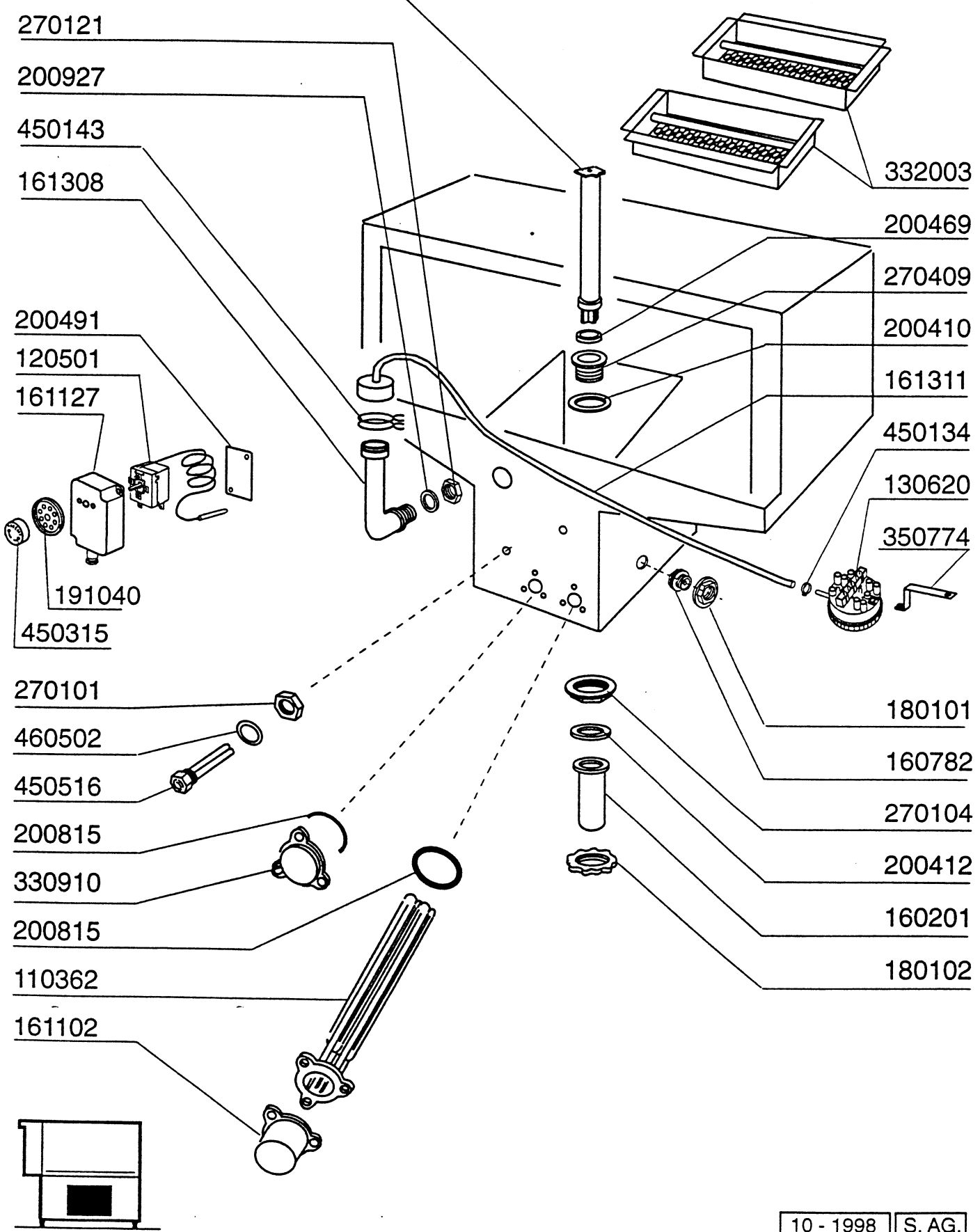
AC

COMPONENTI VASCA LAVAGGIO - COMPOSANTS LAVAGE
WASH TANK COMPONENTS - TEILE F. WASCHZONE
CUBA LAVADO

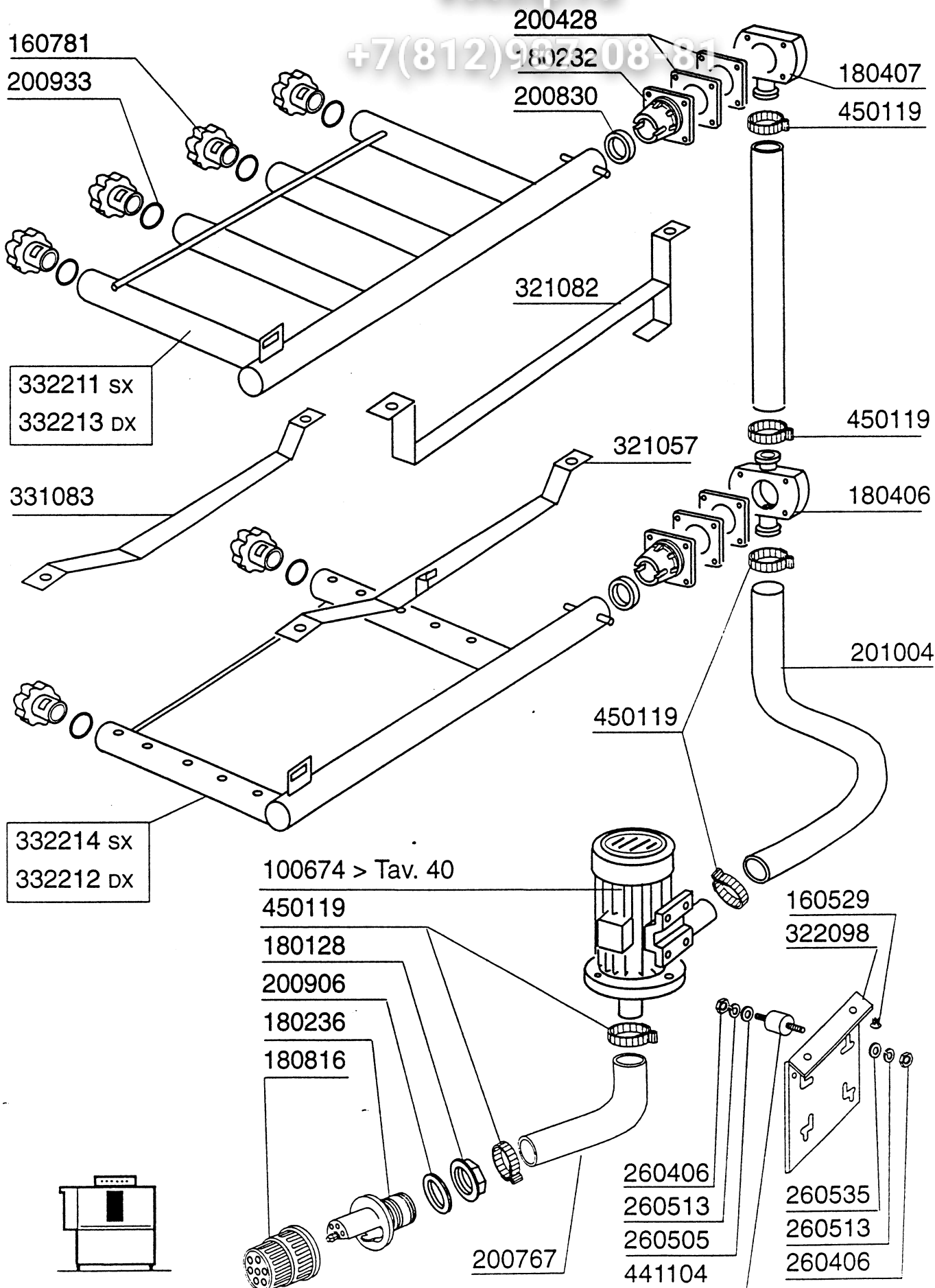
vsezip.ru

+7(812)987-08-81

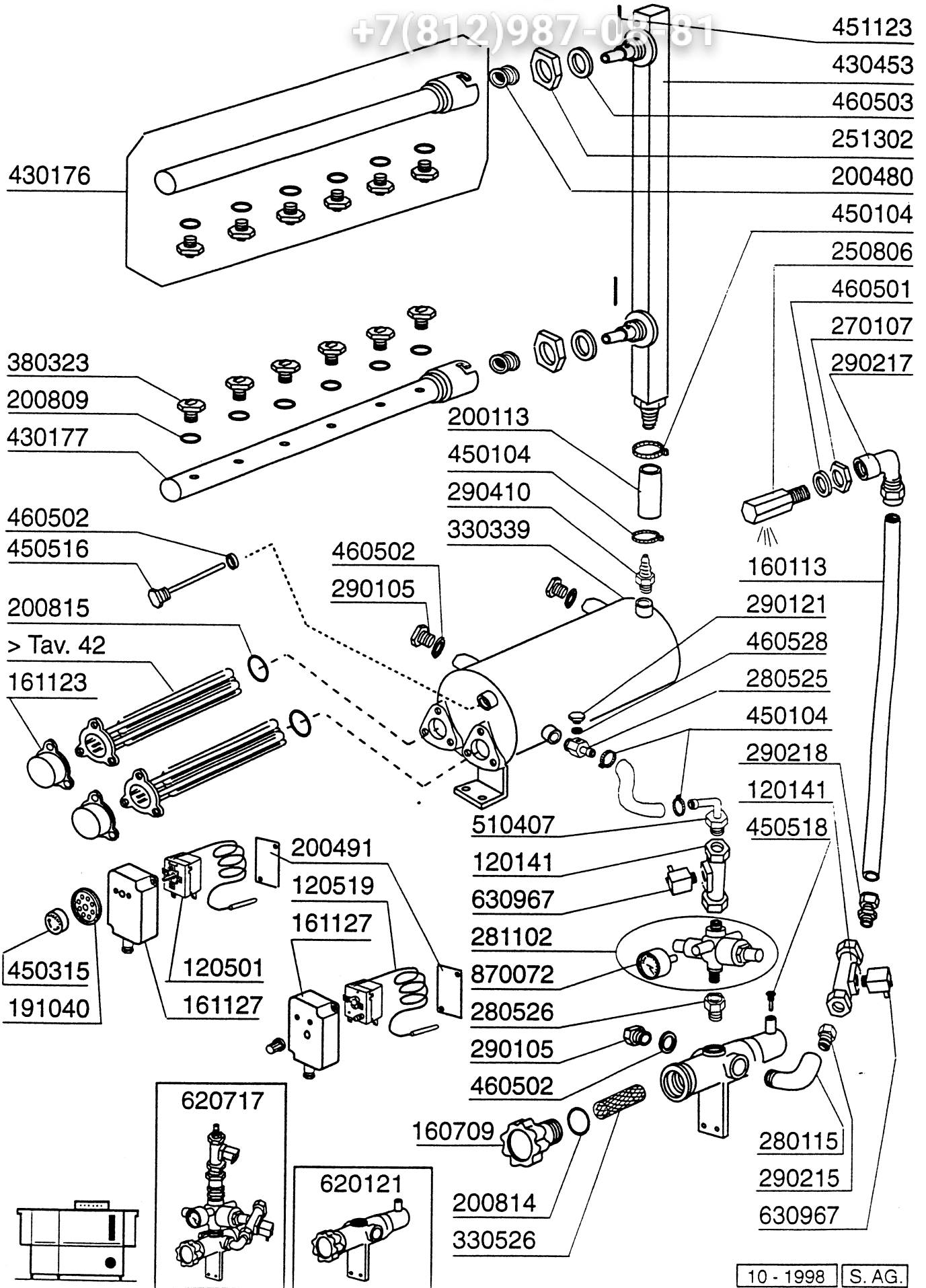
380832 AC 201-202-241-242
380836 AC 91-101-122-151-152-182



AC 122 - 151 - 152 - 181 - 182 - 201 - 202 - 241 - 242



+7(812)987-05181



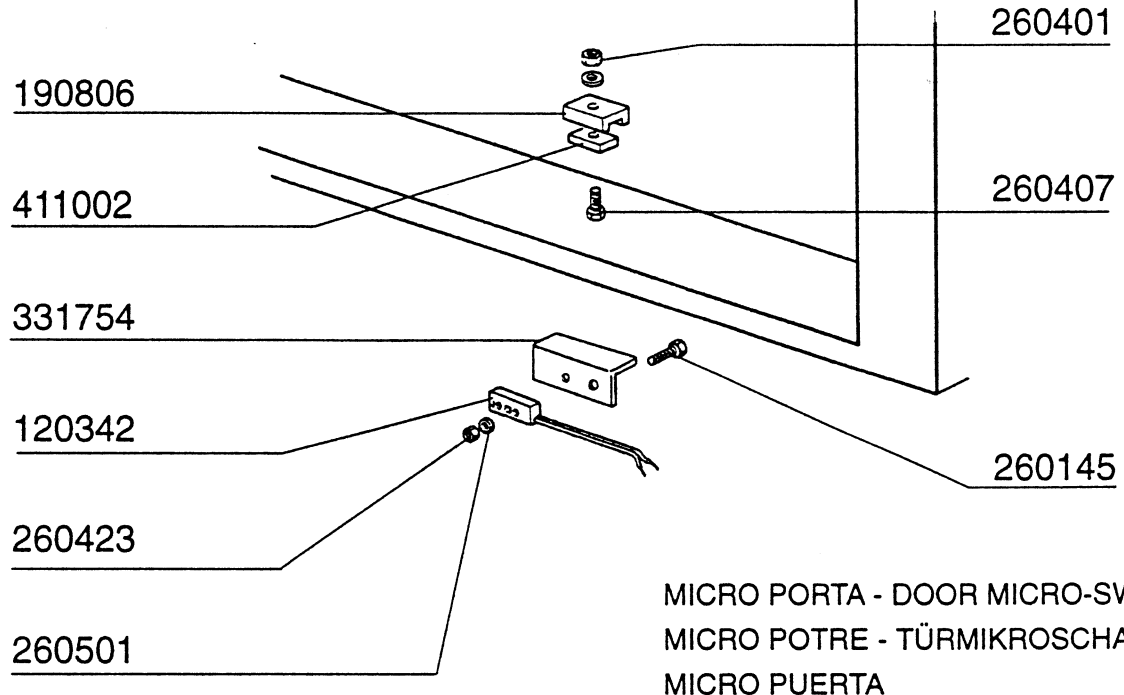
MICRO PORTA - DOOR MICRO-SWITCH - MICRO PORTA
 TÜRMIKROSCHALTER - MICRO PUERTA
 ECONOMIZZATORE - ECONOMISEUR - ECONOMISER
 SPARSCHALTER ECONOMISADOR

Tav. **9**

AC

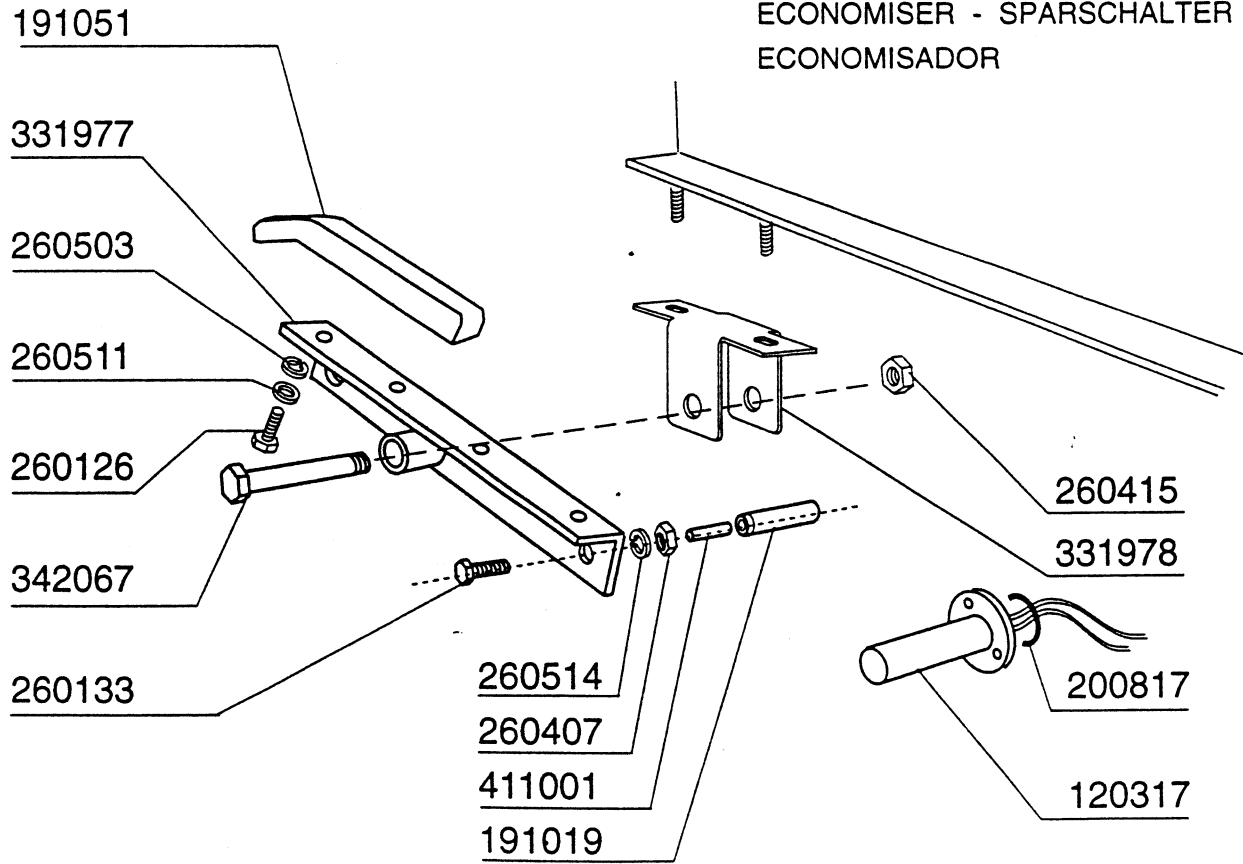
620273

+7(812)987-08-81



MICRO PORTA - DOOR MICRO-SWITCH -
 MICRO POTRE - TÜRMIKROSCHALTER -
 MICRO PUERTA

ECONOMIZZATORE - ECONOMISEUR -
 ECONOMISER - SPARSCHALTER -
 ECONOMISADOR

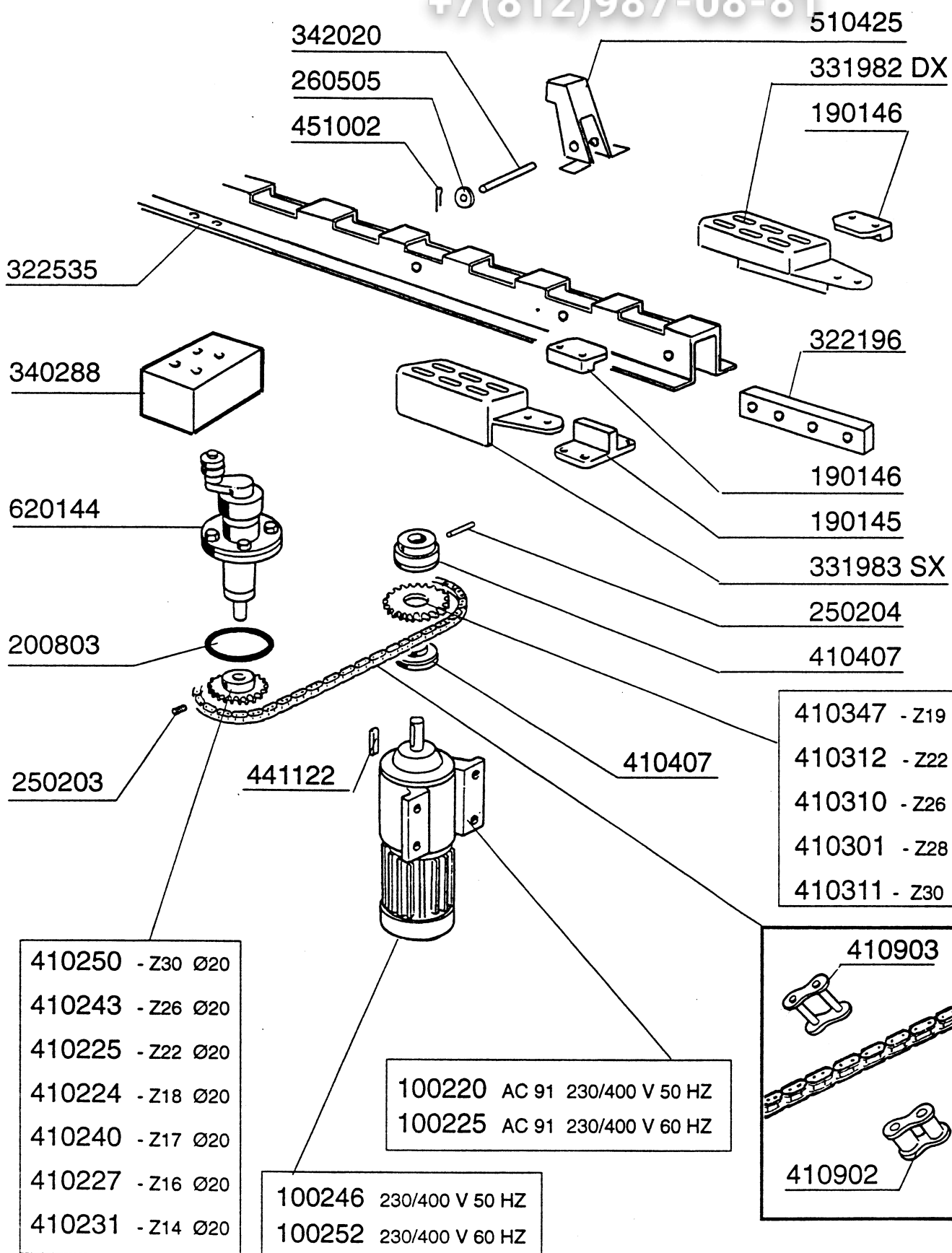


Tav. **10**

AC

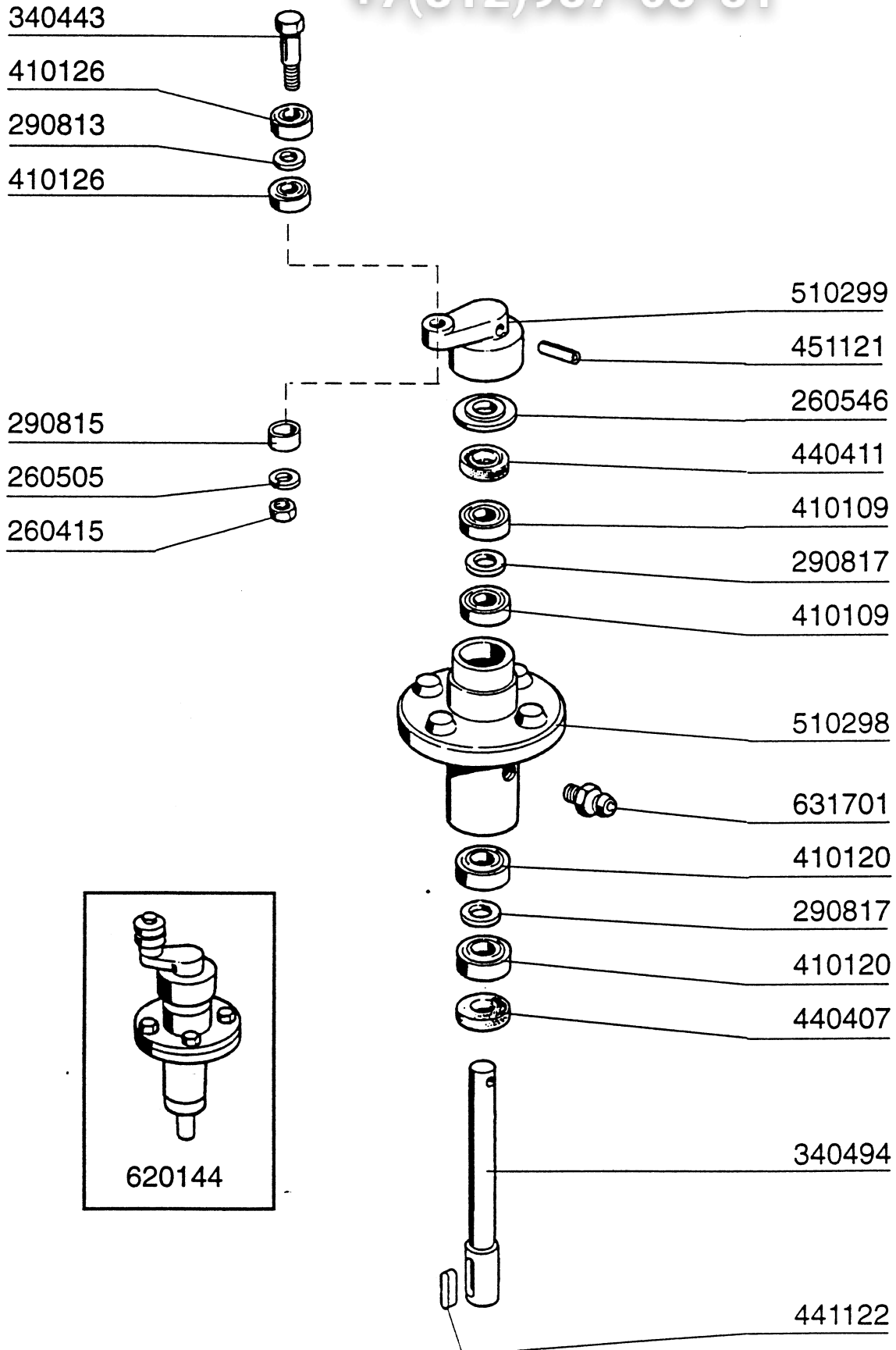
GRUPPO TRAINO - GROUPE AVANCEMENT
DRIVE COMPONENTS - TRANSPORTSYSTEM
GRUPO ARRASTRE

+7(812)987-08-81



Зир-Общепит
vsezip.ru

+7(812)987-08-81



AC 122 - 151 - 152 - 181 - 182 - 201 - 202 - 241 - 242

120632 (250 VA)
120634 (300 VA)
120625 (350 VA)

121021 (25 A)
121023 (40 A)
121024 (50 A)
121025 (63 A)

> tav. 43

150710 (10,3 x 38)
150711 (14 x 51)

350774

130620

450128

200129

120715

200921

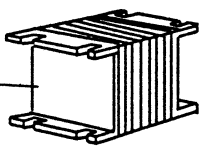
180243

180111

130702

130702

130413



130928

120476



120935

290701

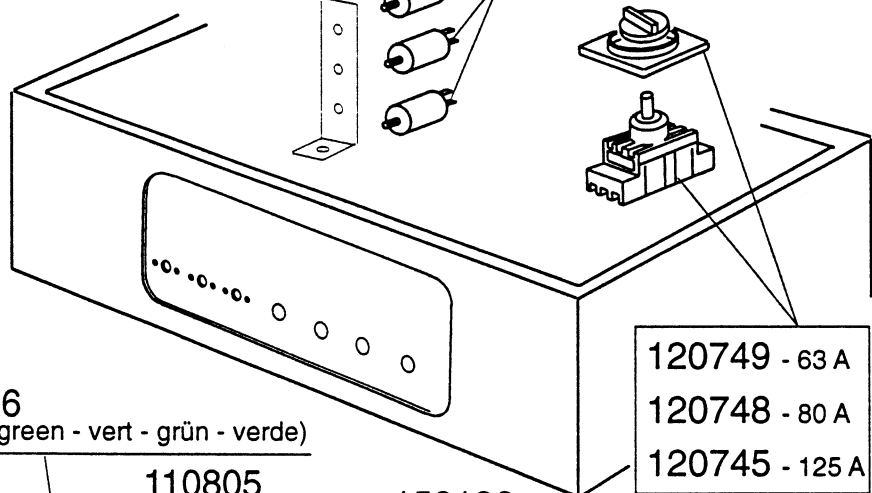
161112

> Tav. 43

> Tav. 43

630977

631214



120749 - 63 A
120748 - 80 A
120745 - 125 A

150106
(verde - green - vert - grün - verde)

150106
(verde - green - vert - grün - verde)

110805

130138

130411

130413

130410

130413

130105
(rosso - red - rouge - rot - rojo)

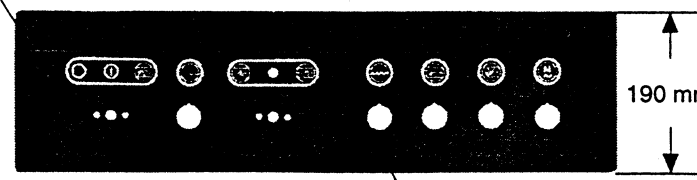
130138

130138

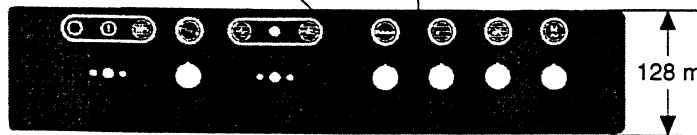
130701

460873 (121 - 182)

460795 (201 - 242)



190 mm



128 mm

Tav. **18**

CARROZZERIA PRELAVAGGIO - CARROSSERIE PRELAVAGE
PREWASH HOOD - KARROSSERIE PUMPENVORABRÄUMUNG
CARROCERIA PRELAVADO

AC 181 - 182

260414

260503

341016

331116

260250

vsezip.ru

+7(812)987-08-81

331775

200905

340422

160830

190906

200478

350332

160803

260129

210412 SX

331048

210411 DX

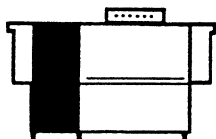
322969

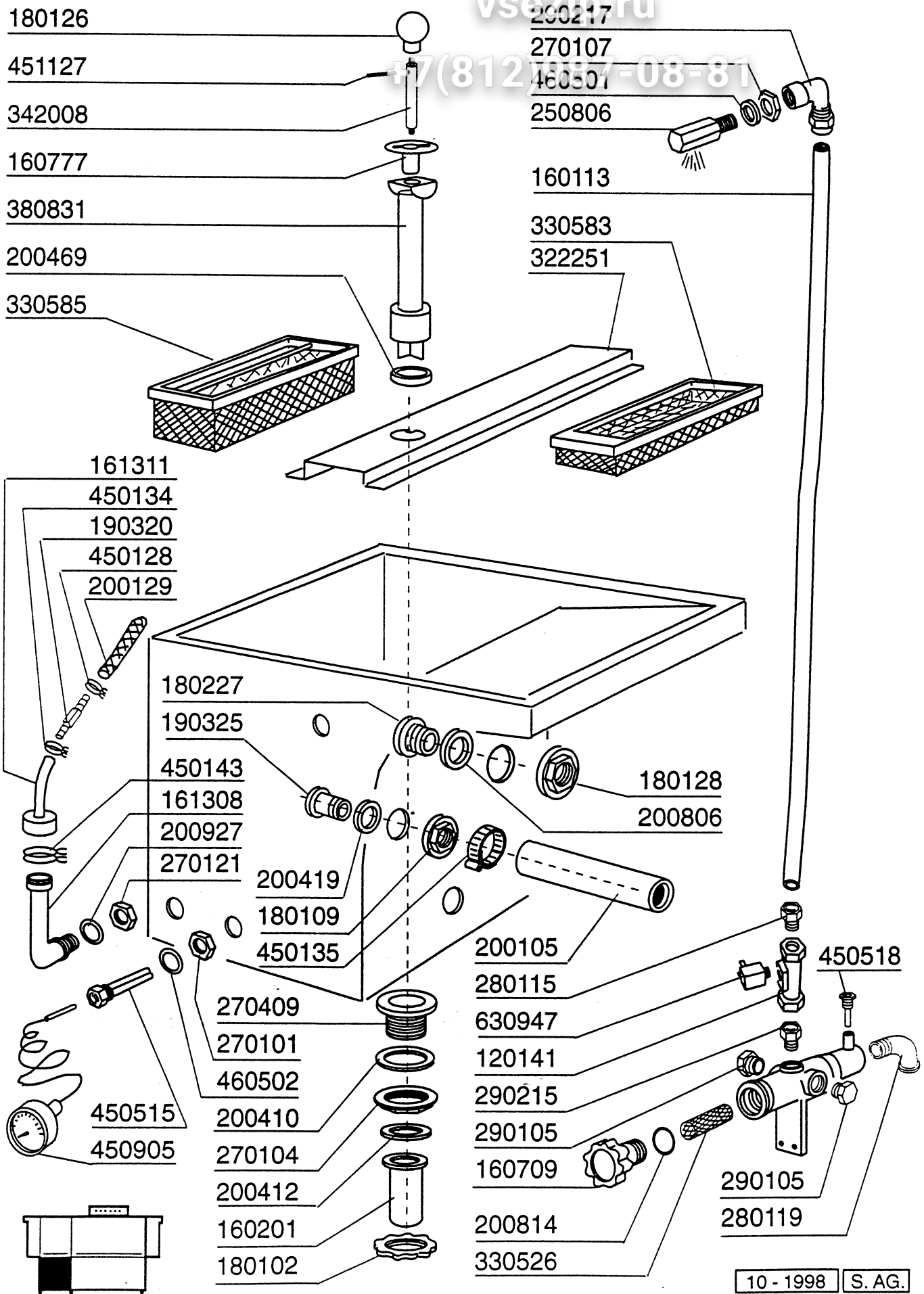
351289

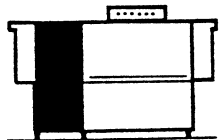
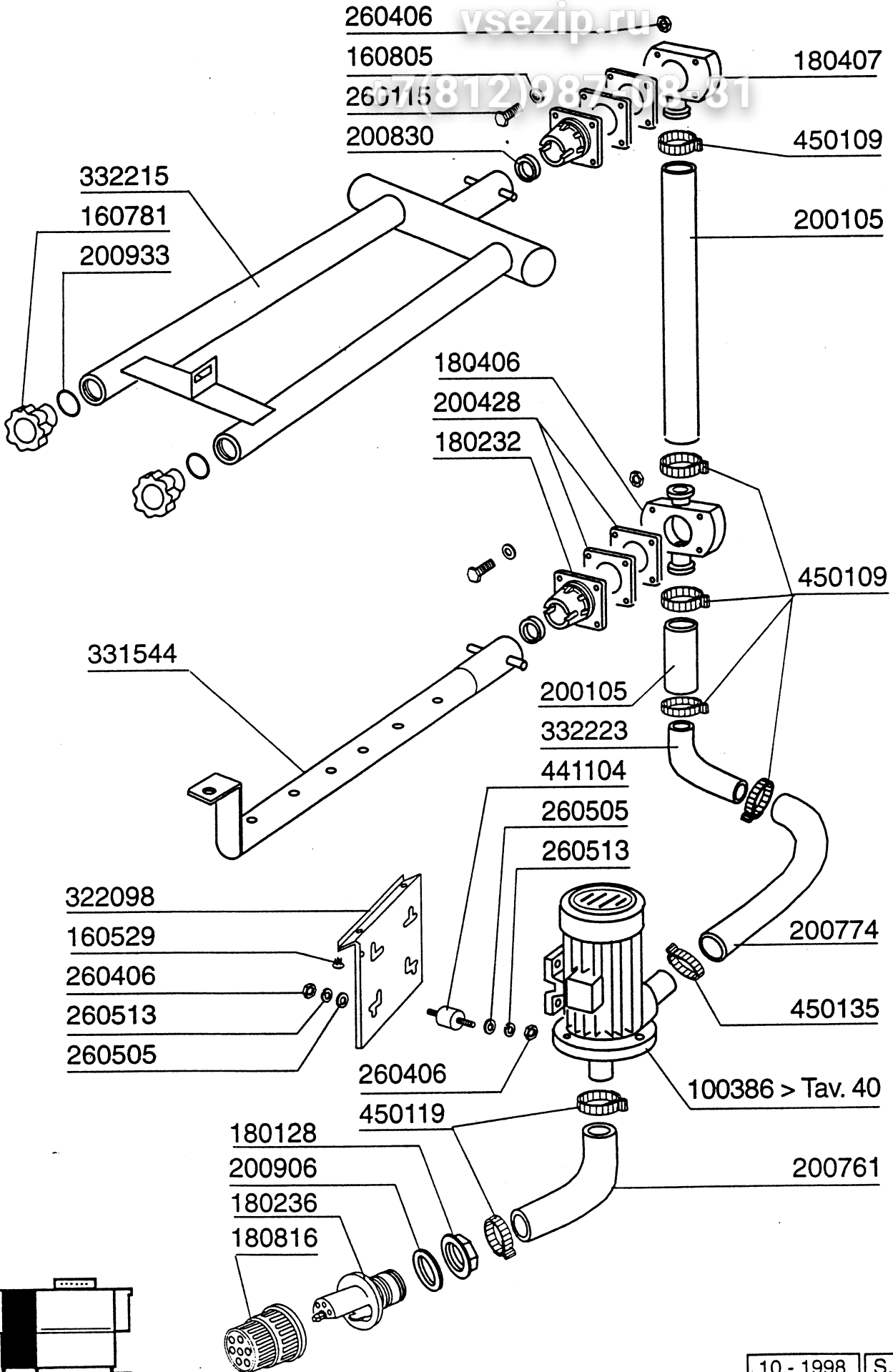
620222

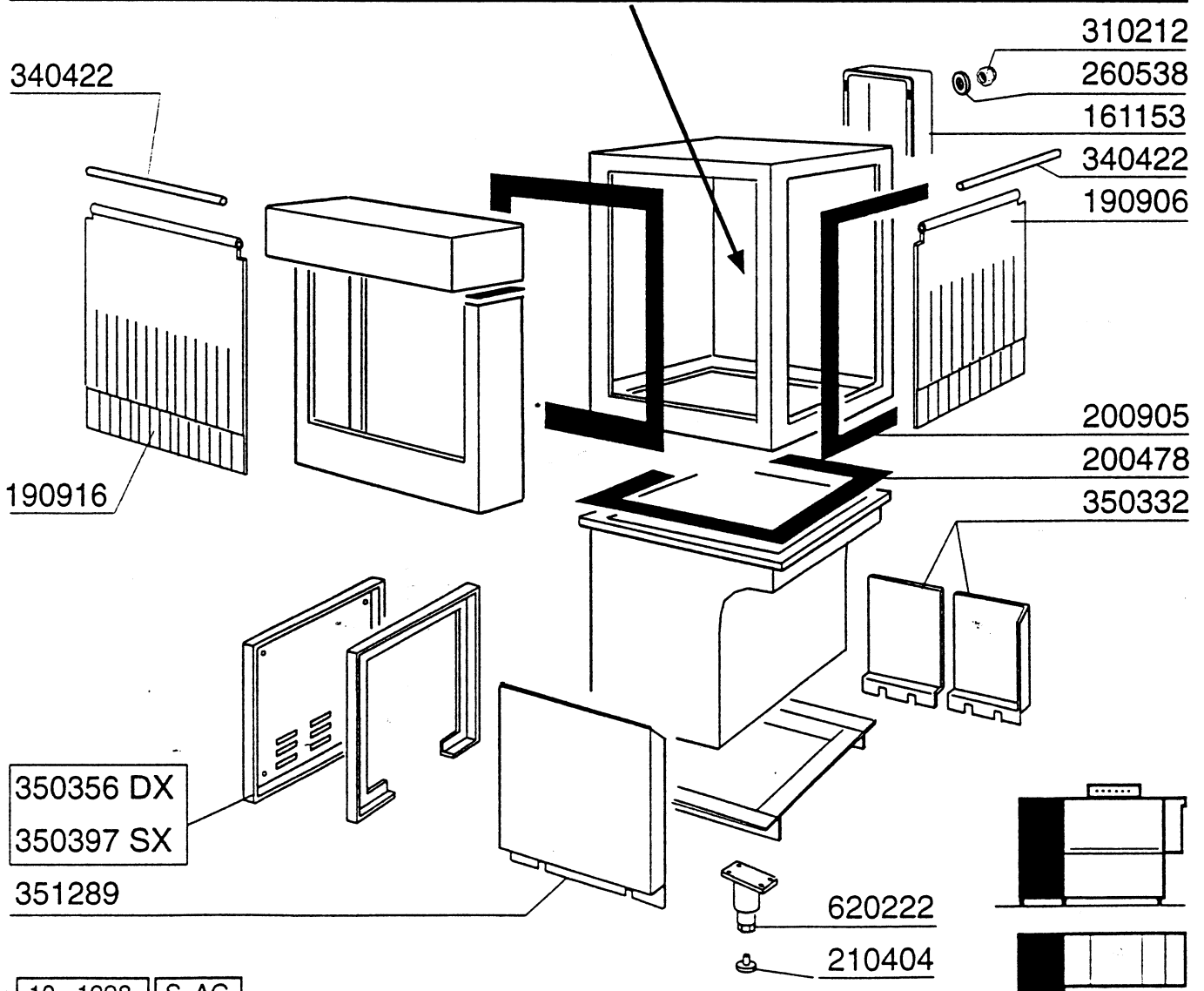
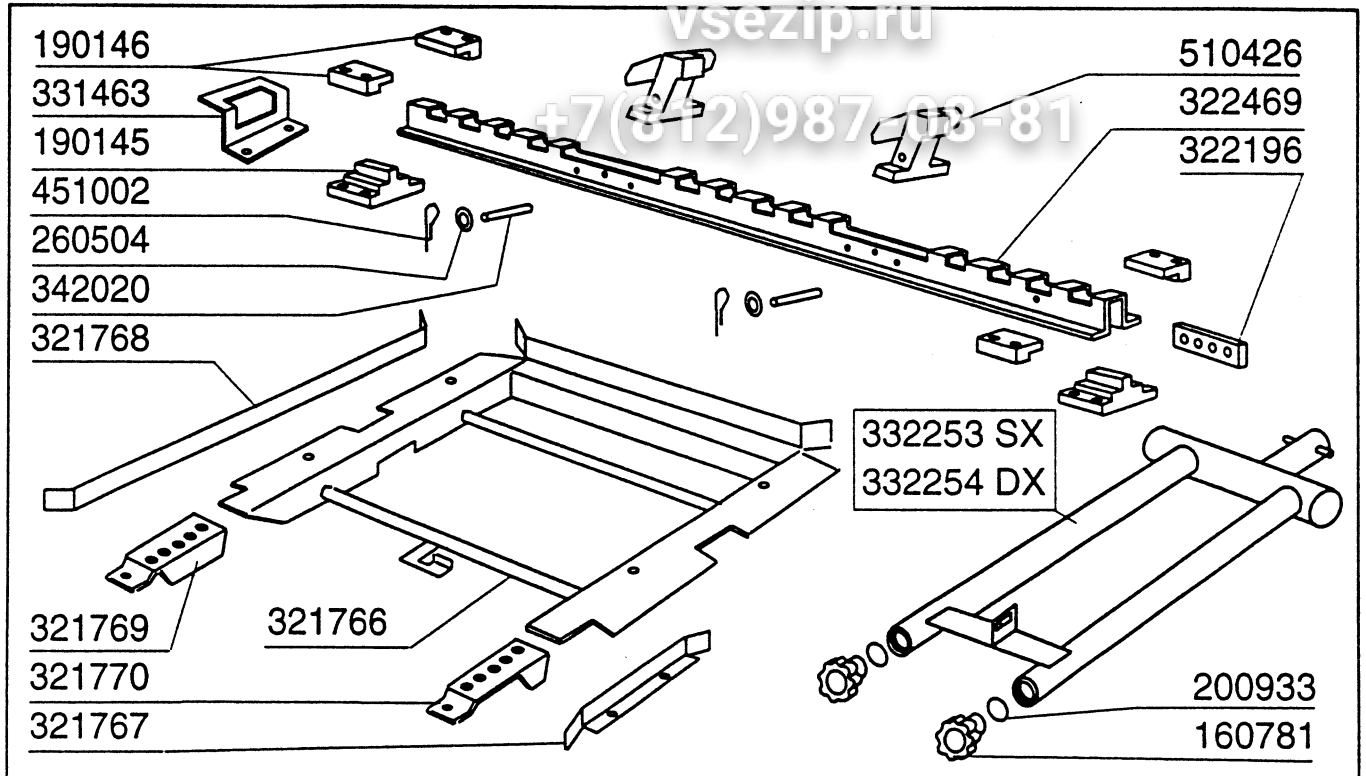
210404

> Tav. 9









Tav. **32**

AC

MENSOLA CARICAMENTO AD ANGOLO
CHARGEUR D'ANGLE
SIDE LOADING TABLE
ECKEINZUG
MESA CARGA EN ANGULO

ASPIRAZIONE PARASPRUZZI -
SAS EXTRACTEUR DES BUEES
VENT HOOD
ABSAUGHAUBE
ASPIRACION VISERA ANTISALPICADURAS

3ип Службa

ysezip.ru

+7(812)987-08-81

340422

190906

510426

451002

260504

342020

190145

322196

160753

440201

322469 (600)

322464 (700)

180109

200412

180102

160203

161128

260538

310212

161125

310212

260538

100539 > Tav. 44

160301

200410

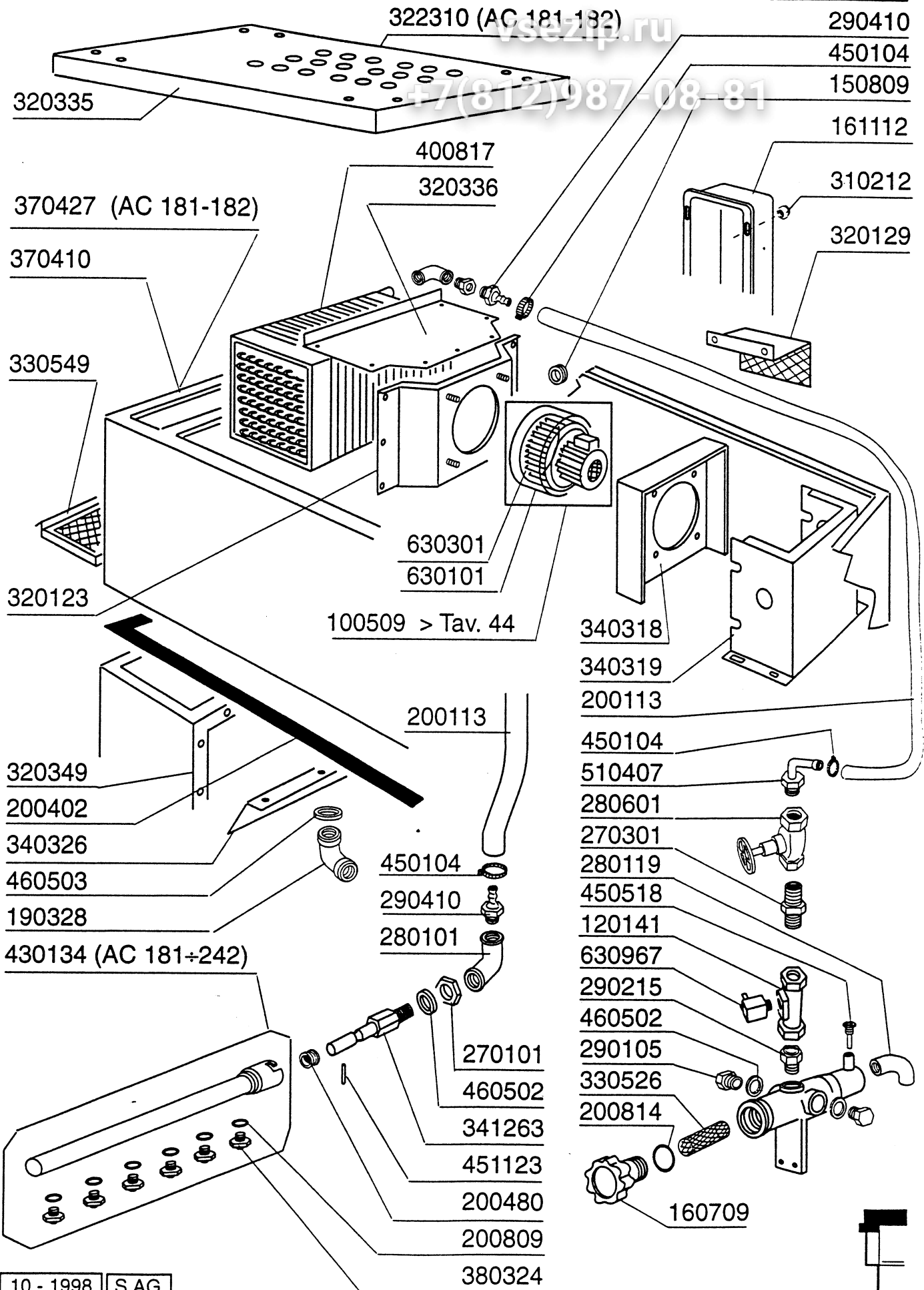
331489

330581

450135

200127

450135

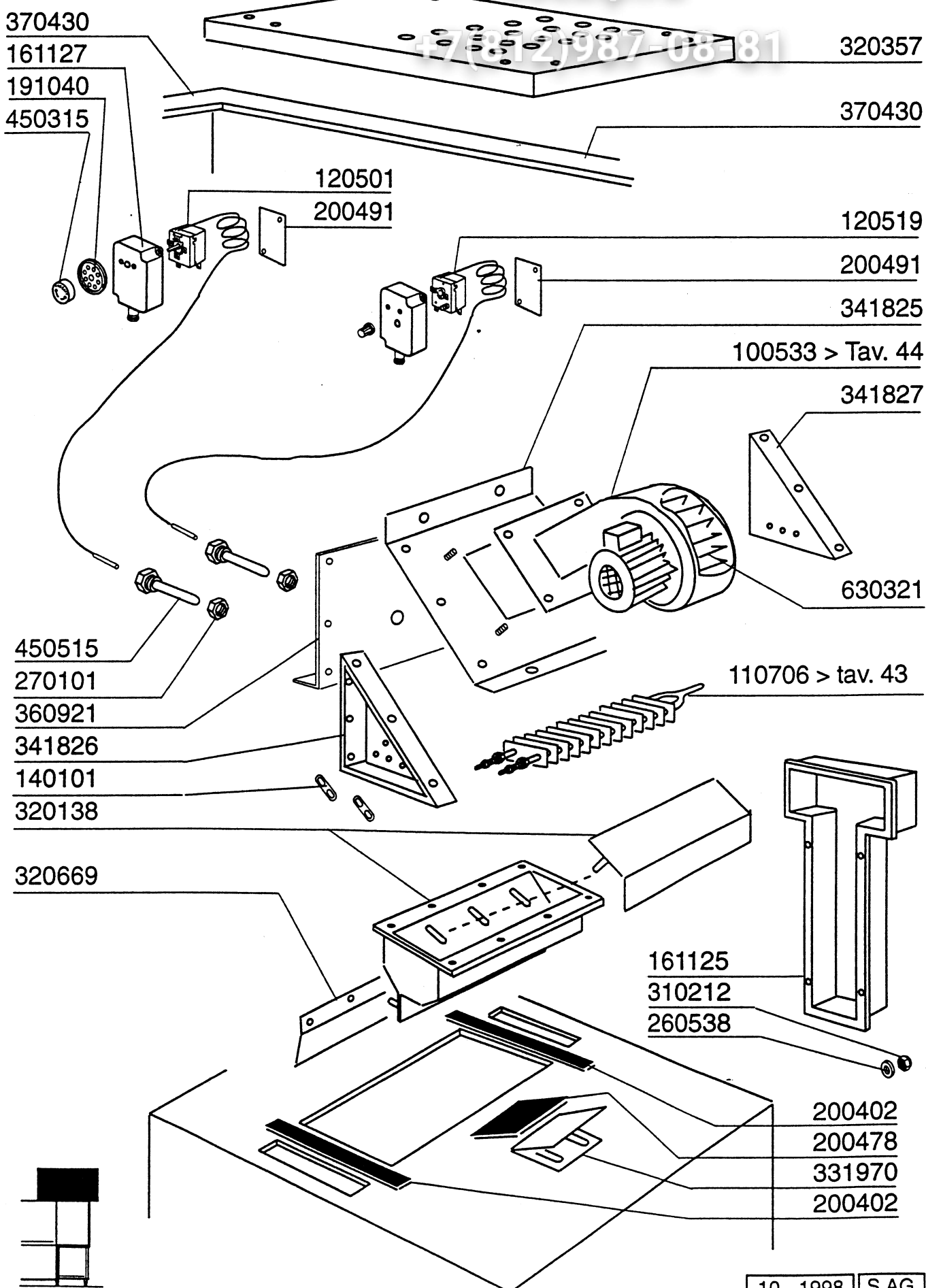


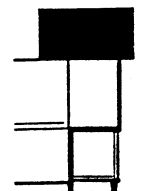
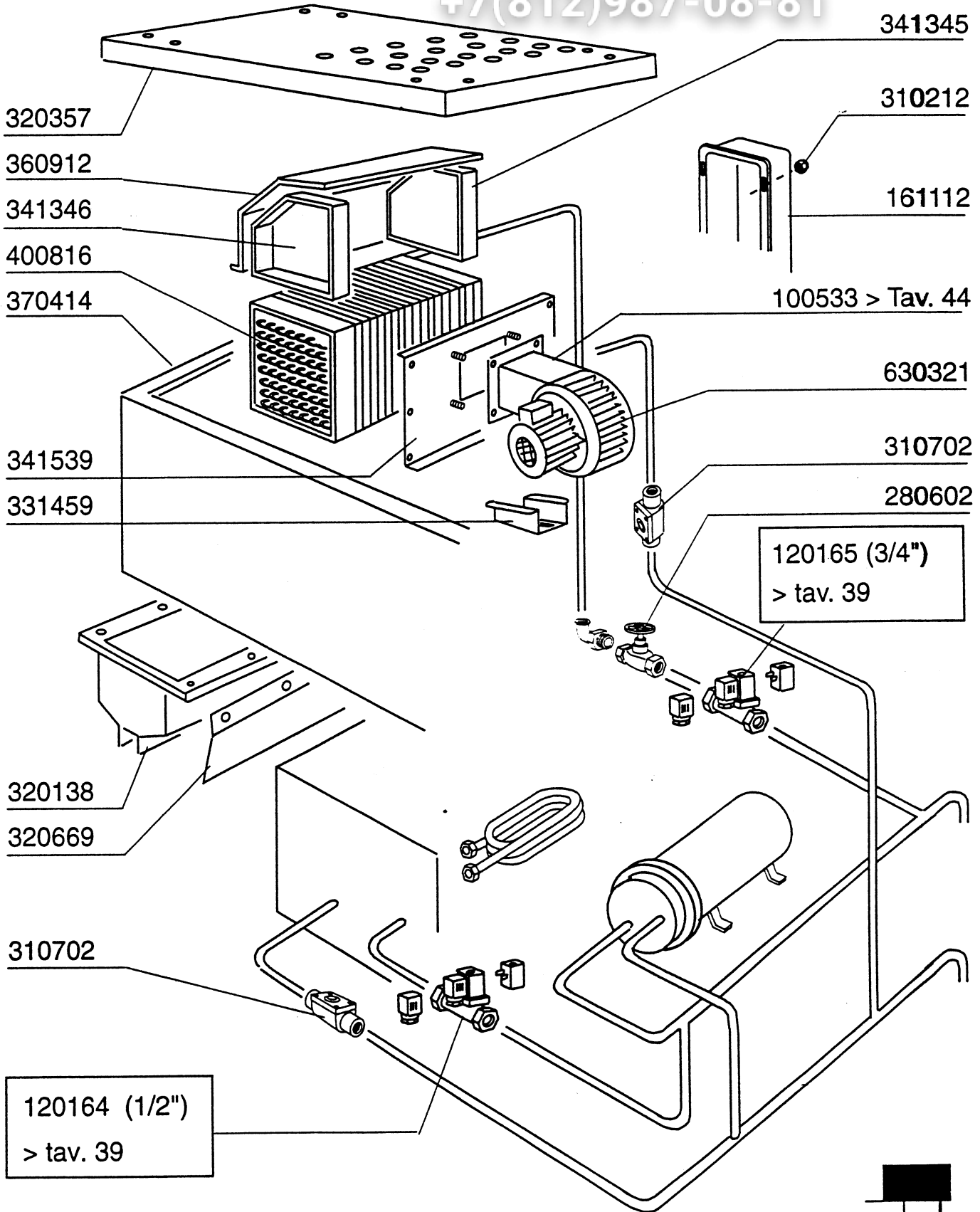
Tav. **34**
AC

ASCIUGATURA ELETTRICA - BLOWER DRYER - SECHAGE
 HEISSLUFTTROCKNUNG - SECADO

vsezip.ru

+7(812)987-08-81





Tav. 36

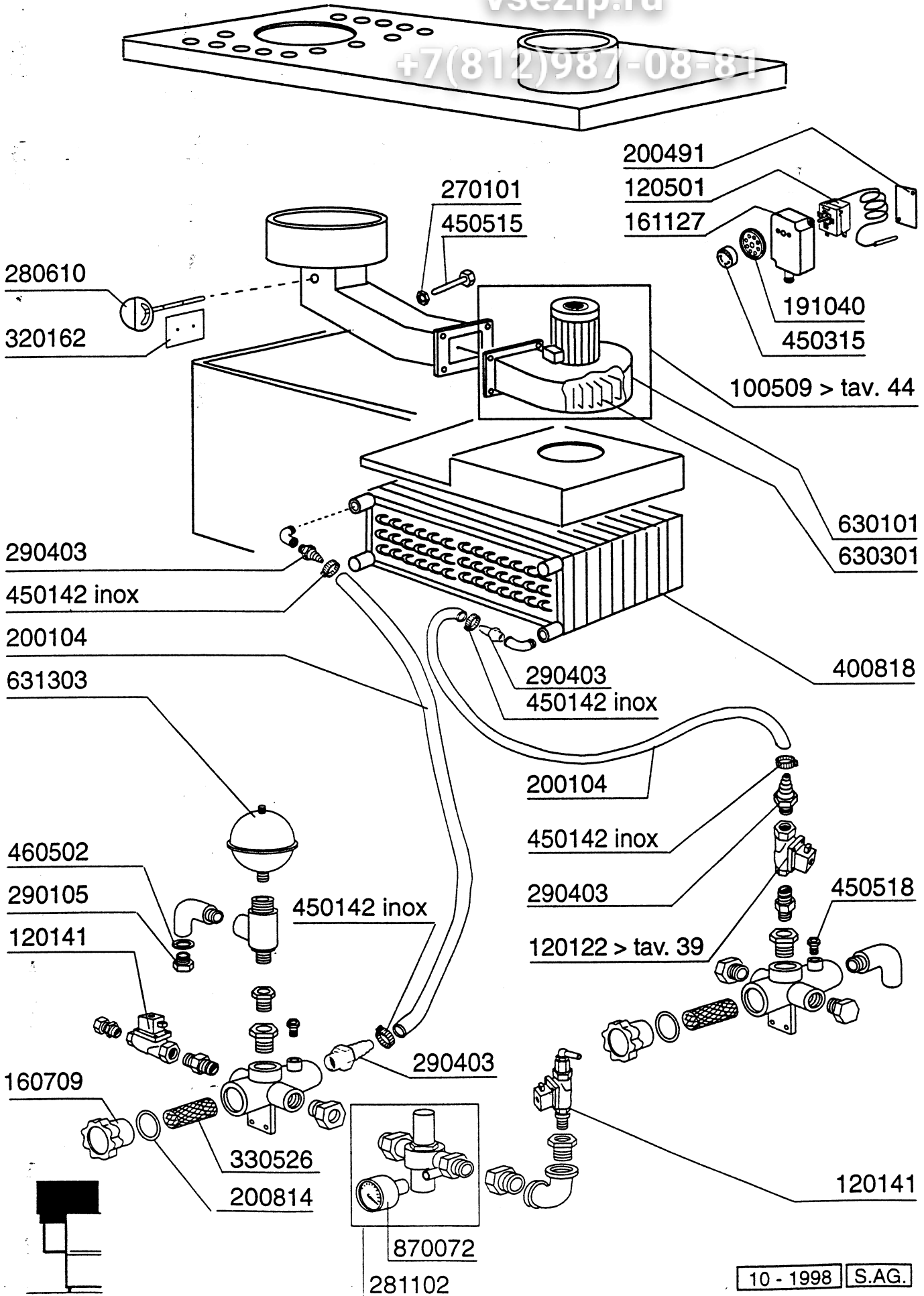
RECUPERATORE DI CALORE COMPATTO - ECONOMISEUR D'ENERGIE
HEAT RECOVERY UNIT COMPACT - WÄRMERÜCKGEWINNUNG KOMPAKT
RECUPERADOR DE CALOR COMPACTO

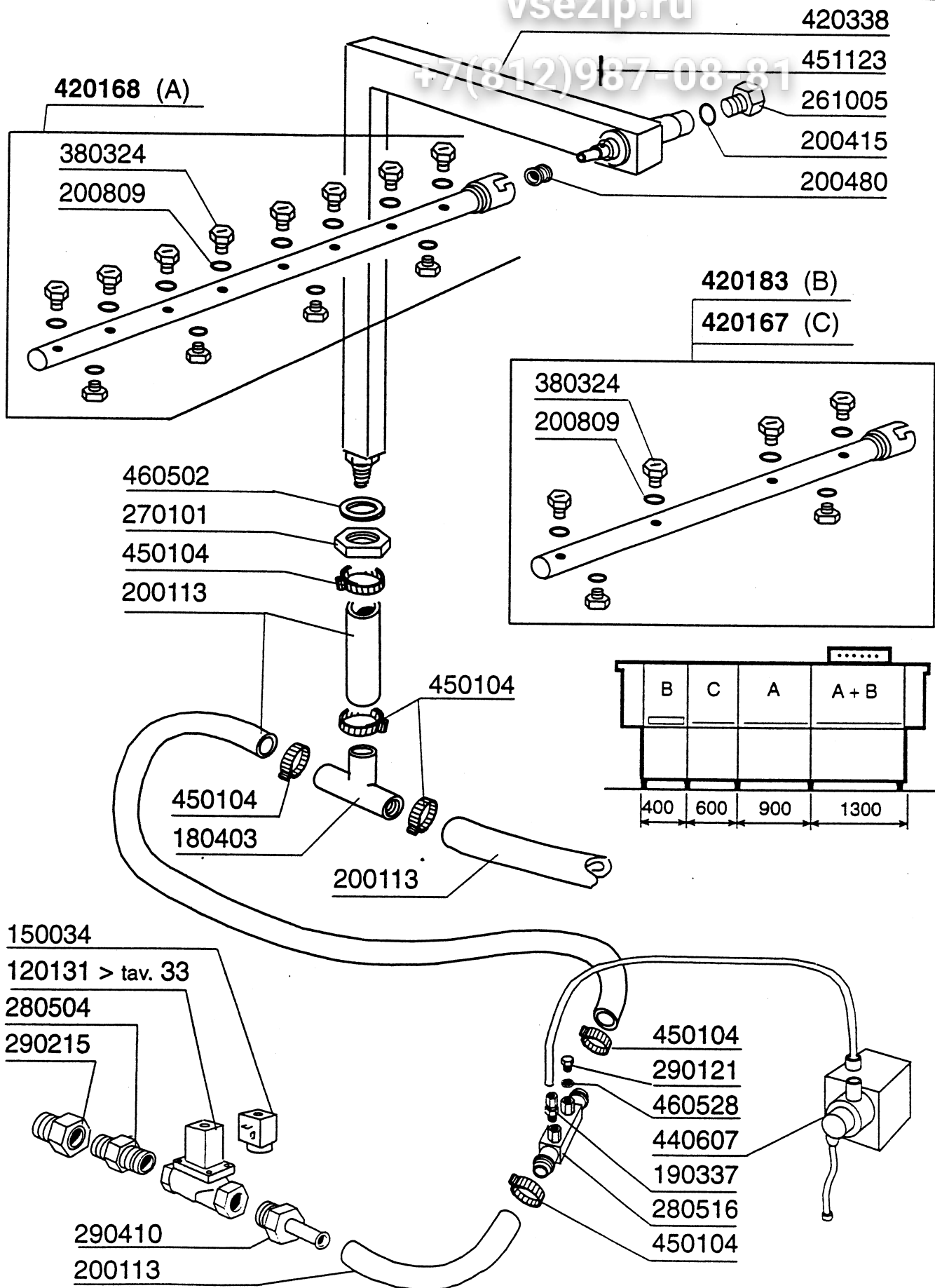
Cod. 620312

AC

vsezip.ru

+7(812)987-08-81

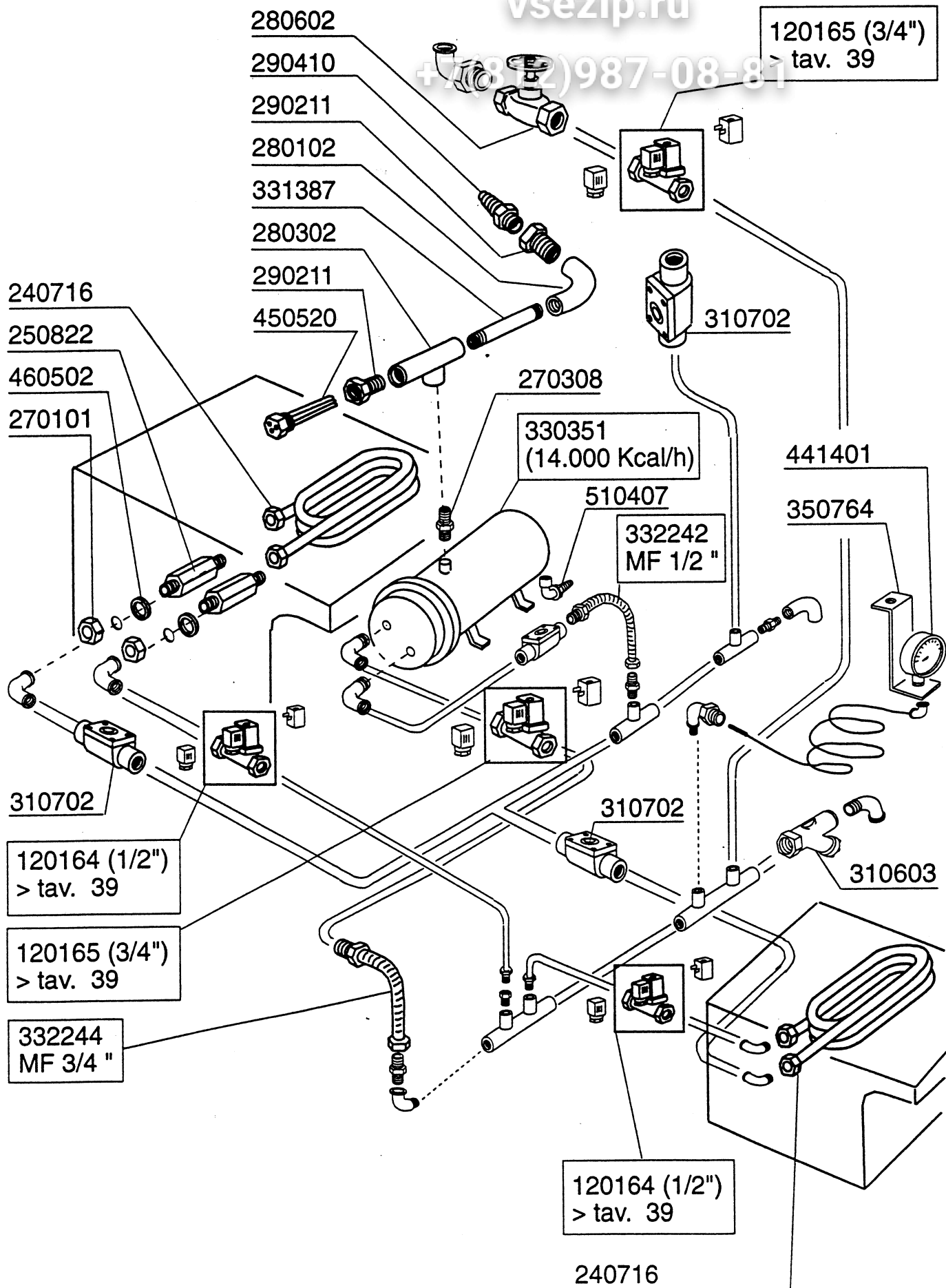




Tav. **38**

AC

VERSIONE VAPORE - VERSION VAPEUR - STEAM VERSION
DAMPFAUSFUHRUNG - VERSION VAPOR



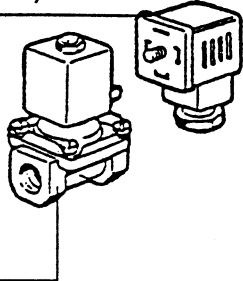
vsezip.ru

+7(4812)987-08-81

ELETTROVALVOLA VAPORE - ELECTROVANNE VAPEUR - STEAM SOLENOID VALVE - DAMPF-VENTIL
ELECTROVALVULA VAPOR

vsezip.ru
+7(812)987-08-81

150034 (1/2")
150033 (1" - 3/4")



120164 (1/2")
120165 (3/4")
120166 (1")

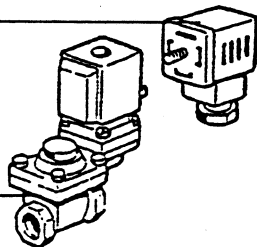
630976 (1")
630972 (1/2" - 3/4")



630627 (1/2")
630628 (3/4")
630629 (1")

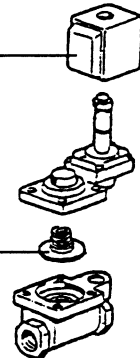
0 ÷ 2 bar

150033



120163 (1")
120162 (3/4")

630972 (1")
630973 (3/4")

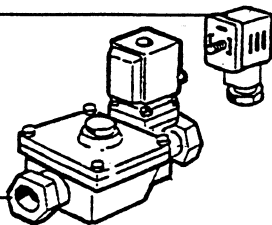


630626 (1")
630625 (3/4")

0,5 ÷ 2,5 bar

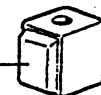
ELETTROVALVOLA ACQUA - ELECTROVANNE EAU - WATER SOLENOID VALVE - WASSER-VENTIL
ELECTROVALVULA AGUA

150034



120122 (3/4")

630948



630609
L180Q17



PER RECUPERATORE DI CALORE - POUR ECONOMISEUR D' ENERGIE
FÜR WÄRMERÜCKGEWINNUNG - FOR HEAT RECOVERY UNIT - PARA RECUPERADOR DE CALOR

Tav. **40**

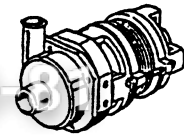
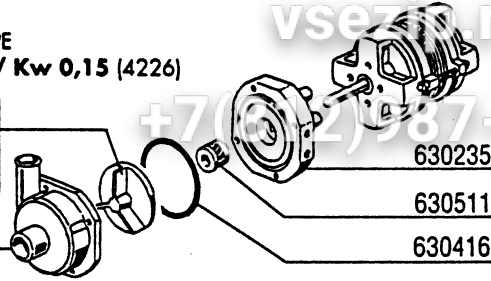
AC

POMPE - PUMPS - POMPES - PUMPEN - BOMBAS

POMPA PRELAVAGGIO - PREWASH PUMP
 POMPE PRELAVAGE - VORSPÜLUNG PUMPE
 BOMBA PRELAVADO - **400** - HP **0,2** / Kw **0,15** (4226)

INOX ø 60 (60 Hz)
 631675 ø 72 (50 Hz)

630125



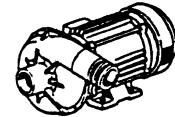
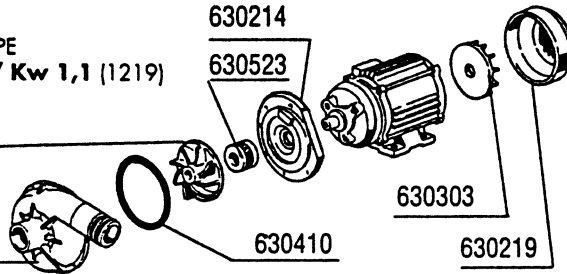
100647 220/240/380/415 V 50 Hz-3

100669 240/240/380/415 V 60 Hz-3

POMPA PRELAVAGGIO - PREWASH PUMP
 POMPE PRELAVAGE - VORSPÜLUNG PUMPE
 BOMBA PRELAVADO - **600** - HP **1,5** / Kw **1,1** (1219)

631643 (60 Hz)
 631656 (50 Hz)

630113



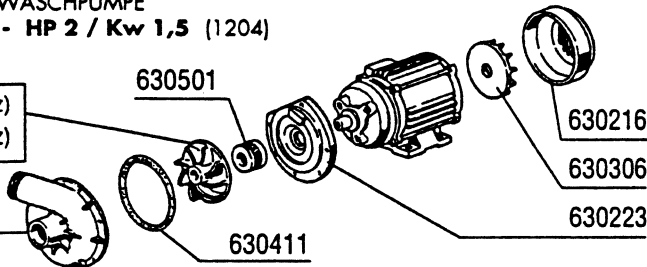
100386 220/380/240/415 V 50 Hz

100611 220/380 V 60 Hz

POMPA LAVAGGIO - WASH PUMP
 POMPE LAVAGE - WASCHPUMPE
 BOMBA LAVADO - HP **2** / Kw **1,5** (1204)

631618 (50 Hz)
 631647 (60 Hz)

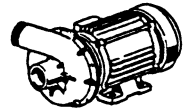
630114



100361 (220/380 V 50 Hz)
 (240/415 V 50 Hz)

100605 (220/380 V 60 Hz)

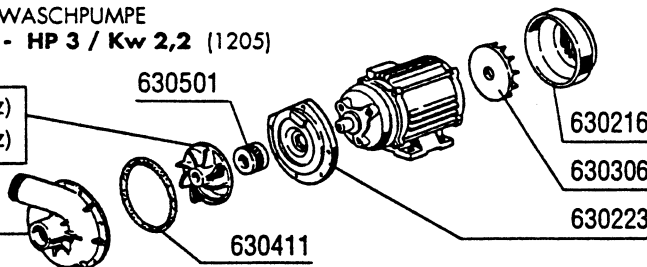
100613 (250/440 V 60 Hz)



POMPA LAVAGGIO - WASH PUMP
 POMPE LAVAGE - WASCHPUMPE
 BOMBA LAVADO - HP **3** / Kw **2,2** (1205)

631620 (50 Hz)
 631647 (60 Hz)

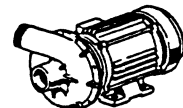
630114



100674 (220/380 V 50 Hz)
 (240/415 V 50 Hz)

100690 (220/380 V 60 Hz)

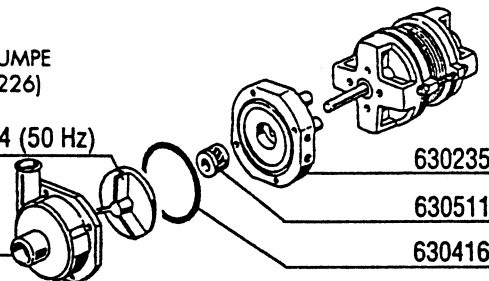
(250/440 V 60 Hz)



POMPA ECORINSE - ECORINSE PUMP
 POMPE ECORINSE - DOPPELNACHSPÜLUNG PUMPE
 BOMBA ECORINSE - HP **0,2** / Kw **0,15** (4226)

631687 INOX ø 64 (50 Hz)

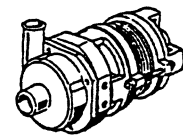
630125



630235

630511

630416



100754 (220/380 V 50 Hz)

COMPONENTI ELETTRICI POMPE - COMPOSANTS ELECTRIQUES POMPES - ELECTRICAL PARTS FOR PUMPS - ELEKTRISCHE TEILE FÜR PUMPEN - PIEZOS ELECTRICOS PARA BOMBAS

220 / 240 V

380 / 415 V

| POMPA - POMPE PUMP - PUMPE BOMBA | | FUSIBILI - FUSIBLE - FUSE SCHMELZSICHERUNG FUSIBLE | | TELERUTTORE - CONTACTEUR CONTACTOR - SCHALTSCHÜTZ CONTACTOR | | TERMICA - TERMIQUE OVERLOAD RELAY TERMOAUSLÖSER - TERMICO | | FUSIBILI - FUSIBLE - FUSE SCHMELZSICHERUNG FUSIBLE | | TELERUTTORE - CONTACTEUR CONTACTOR - SCHALTSCHÜTZ CONTACTOR | | TERMICA - TERMIQUE OVERLOAD RELAY TERMOAUSLÖSER - TERMICO | |
|--|------|--|--------|---|--------|---|--------|--|--------|---|--------|---|--------|
| HP | Kw | A | cod. | A | cod. | A | cod. | A | cod. | A | cod. | A | cod. |
| 0,2 | 0,15 | 4 | 130230 | 9 | 120468 | 1,00 + 1,6 | 120848 | 2 | 130260 | 9 | 120468 | 0,4 + 0,63 | 120846 |
| 1,5 | 1,1 | 8 | 130232 | 9 | 120468 | 4 + 6 | 120851 | 4 | 130230 | 9 | 120468 | 2,5 + 4 | 120850 |
| 2 | 1,5 | 8 | 130232 | 9 | 120468 | 5,5 + 8 | 120852 | 6 | 130231 | 9 | 120468 | 4,5 + 6,5 | 120851 |
| 3 | 2,2 | 12 | 130234 | 9 | 120468 | 7 + 10 | 120853 | 6 | 130231 | 9 | 120468 | 4,5 + 6,5 | 120851 |

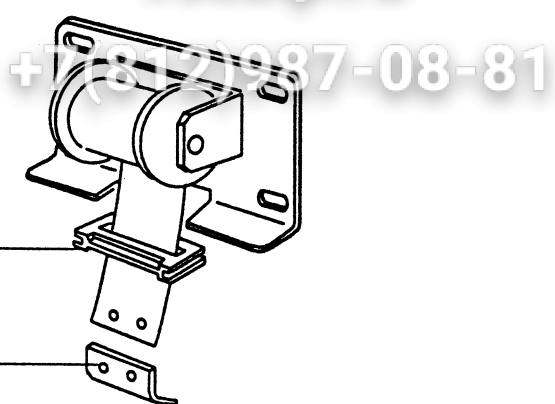
10 - 1998

S.AG.

MOLLE PER BILANCIAMENTO PORTE (doppia parete) - RESSORTS PORTES ISOLEES
 SPRING FOR DOORS COUNTERBALANCING
 FEDERN ZUM TÜRGEWICHTSAUSGLEICH - MUELLE COMPENSACION PUERTA

Tav. **41**

AC



190651

331430

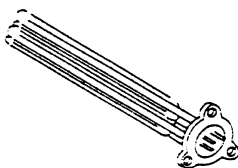
| Cod. | | 391309 | 391318 | 391331 | 391332 |
|--|------|----------|----------|-----------|-----------|
| | | Kg 4 | Kg 4,5 | Kg 5 | Kg 5,5 |
| Tipo porta Type porte Door type Türtyp Modelo puerta | Kg | | | | |
| AC 1300 | 20,5 | | 2 (9 Kg) | 2 (10 Kg) | |
| AC 900 | 13,2 | | | | 2 (11 Kg) |
| AC 600 | 8,8 | 2 (8 Kg) | | | |

Tav. 42

RESISTENZE - RESISTANCES - HEATING ELEMENTS
HEIZKÖRPER - RESISTENCIAS


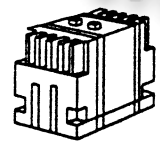

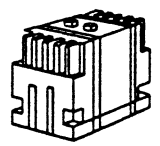
AC


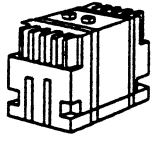

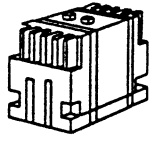
| MODELLO MODELE MODEL MODELL MODELO | PRELAVAGGIO PRELAVAGE VORABRÄUMUNG PREWASH PRELAVADO | 1° LAVAGGIO 1 ^{ER} LAVAGE 1 ST WASH 1. WASCHEM 1. LAVADO | 2° LAV. 2 ^{ME} LAV. 2 ND WASH 2. WAS. 2. LAV. | RISCIACQUO - RINCAGE RINSE - NACHSPÜLUNG ACLARADO 50 °C | RISCIACQUO - RINCAGE RINSE - NACHSPÜLUNG ACLARADO 15 °C |
|--|--|--|---|--|--|
| AC 91 | | 1 x 9 kW | | 1 x 12,5 kW | 1 x 10 kW 1 x 12,5 kW |
| AC 101 | | 1 x 9 kW | | 1 x 14 kW | 2 x 12,5 kW |
| AC 122 | | 1 x 9 kW | | 1 x 12,5 kW | 1 x 10 kW 1 x 12,5 kW |
| AC 151 | | 1 x 9 kW | | 2 x 10 kW | 1 x 10 kW 2 x 12,5 kW |
| AC 152 | | 1 x 9 kW | | 2 x 8 kW | 1 x 10 kW 2 x 9 kW |
| AC 151 RC | | 1 x 9 kW | | | 1 x 10 kW 1 x 12,5 kW |
| AC 152 RC | | 1 x 9 kW | | | 2 x 9 kW |
| AC 181 | | 1 x 9 kW | | 2 x 10 kW | 2 x 12,5 kW 1 x 10 kW |
| AC 182 | | 1 x 9 kW | | 2 x 9 kW | 3 x 10 kW |
| AC 181 RC | | 1 x 9 kW | | | 1 x 9 kW 1 x 8 kW 1 x 6 kW |
| AC 182 RC | | 1 x 9 kW | | | 2 x 10 kW |
| AC 201 | 1 x 9 kW | 1 x 9 kW | | 2 x 10 kW | 1 X 10 kW 2 x 12,5 kW |
| AC 202 | 1 x 9 kW | 1 x 9 kW | | 2 x 9 kW | 3 x 10 kW |
| AC 201 RC | 1 x 9 kW | 1 x 9 kW | | | 1 x 9 kW 1 x 8 kW 1 x 6 kW |
| AC 202 RC | 1 x 9 kW | 1 x 9 kW | | | 2 x 10 kW |
| AC 241 | 1 x 9 kW | 1 x 9 kW | 1 x 9 kW | 2 x 10 kW | 1 x 10 kW 2 x 12,5 kW |
| AC 242 | 1 x 9 kW | 1 x 9 kW | 1 x 9 kW | 2 x 10 kW | 3 x 10 kW |
| AC 241 RC | 1 x 9 kW | 1 x 9 kW | 1 x 9 kW | | 1 x 9 kW 1 x 8 kW 1 x 6 kW |
| AC 242 RC | 1 x 9 kW | 1 x 9 kW | 1 x 9 kW | | 1 x 9 kW 2 x 6 kW |

| | 220/380 V | 240/415 V |
|---|-----------|-----------|
|  6 kW | 110349 | 110383 |
| 8 kW | 110343 | 110365 |
| 9 kW | 110362 | 110343 |
| 10 kW | 110388 | 110381 |
| 12,5 kW | 110367 | 110382 |
| 14 kW | 110386 | 110385 |

10 - 1998

S.AG.

| | | 220/240 V | | | 380/415 V | | | | |
|------|----|---|---|---|--|---|----|---|--|
| | |  |  | |  |  | | | |
| KW | A | FUSIBILI FUSIBLE FUZE SCHMELZSICHERUNG FUSIBLE | A | TELERUTTORE CONTACTEUR CONTACTOR SCHALTSCHÜTZ CONTACTOR | A | FUSIBILI FUSIBLE FUZE SCHMELZSICHERUNG FUSIBLE | A | TELERUTTORE CONTACTEUR CONTACTOR SCHALTSCHÜTZ CONTACTOR | |
| 9 | 32 | 130237 | 26 | 120471 | 20 | 130248 | 12 | 120469 | |
| 12,5 | 40 | 130238 | 30 | 120472 | 25 | 130236 | 26 | 120471 | |
| 14 | 40 | 130238 | 30 | 120472 | 32 | 130237 | 26 | 120471 | |
| 16 | 50 | 130257 | 40 | 120473 | 32 | 130237 | 30 | 120472 | |
| 18 | 63 | 130239 | 40 | 120473 | 40 | 130237 | 30 | 120472 | |
| 20 | 63 | 130239 | 50 | 120474 | 40 | 130237 | 30 | 120472 | |
| | | | | | | | | | |
| | | | | | | | | | |
| | | | | | | | | | |
| | | | | | | | | | |

| ASCIUGATURA - SECHAGE - DRYER - TROCKNUNG - SECADO | | | | | | | | | |
|--|----|---|---|---|--|---|---|---|--|
| | | 220/240 V | | | 380/415 V | | | | |
| | |  |  | |  |  | | | |
| KW | A | FUSIBILI FUSIBLE FUZE SCHMELZSICHERUNG FUSIBLE | A | TELERUTTORE CONTACTEUR CONTACTOR SCHALTSCHÜTZ CONTACTOR | A | FUSIBILI FUSIBLE FUZE SCHMELZSICHERUNG FUSIBLE | A | TELERUTTORE CONTACTEUR CONTACTOR SCHALTSCHÜTZ CONTACTOR | |
| 4,5 | 12 | 130236 | 9 | 120468 | 10 | 130269 | 9 | 120468 | |
| 6 | 20 | 130248 | 12 | 120469 | 12 | 130248 | 9 | 120468 | |


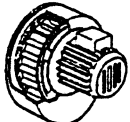
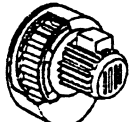
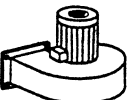
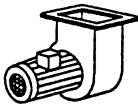
Tav. **44****AC**

MOTORI - MOTEUR - MOTORS - MOTEREN - MOTOR

Зип Общедит

vsezip.ru

+7(812)987-08-81

| | KW | 220/240 V 3 ~ | | | | | 380/415 V 3 ~ | | | | | | |
|--|--------------|---|---|---|---------|--|---------------|---|---|---|------------------------|--|---|
| | | TELERUTTORE CONTACTEUR CONTACTOR SCHALTSCHÜTZ CONTACTOR | A | TERMICA TERMIQUE OVERLOAD RELAY TERMOAUSLÖSER TERMICO | A | FUSIBILI FUSIBLE FUSE SCHMELZSICHERUNG FUSIBLE | A | TELERUTTORE CONTACTEUR CONTACTOR SCHALTSCHÜTZ CONTACTOR | A | TERMICA TERMIQUE OVERLOAD RELAY TERMOAUSLÖSER TERMICO | A | FUSIBILI FUSIBLE FUSE SCHMELZSICHERUNG FUSIBLE | A |
|  | 0,12 0,15 | 120468 | 9 | | 1 + 1,6 | 130260 | 2 | 120468 | 9 | 120858 120859 | 0,4 + 0,63 0,63 + 1 | 130260 | 2 |
|  | 0,75 | 120468 | 9 | 120863 | 2,8 + 4 | 130230 | 4 | 120468 | 9 | 120862 | 1,7 + 2,4 | 130230 | 4 |
|  | 0,55 | 120468 | 9 | 120863 | 2,8 + 4 | 130230 | 4 | 120468 | 9 | 120860 | 1 + 1,4 | 130260 | 2 |
|  | 0,55 | 120468 | 9 | 120863 | 2,8 + 4 | 130230 | 4 | 120468 | 9 | 120862 | 1,7 + 2,4 | 130230 | 4 |
|  | 0,09 | 120468 | 9 | — | — | 130259 | 1 | 120468 | 9 | — | — | 130259 | 1 |