

Зип Общепит

CATALOGO RICAMBI
SPARE PARTS
PIECES DETACHEES
ERSATZTEILE
LISTA DE RECAMBIOS

vsezip.ru

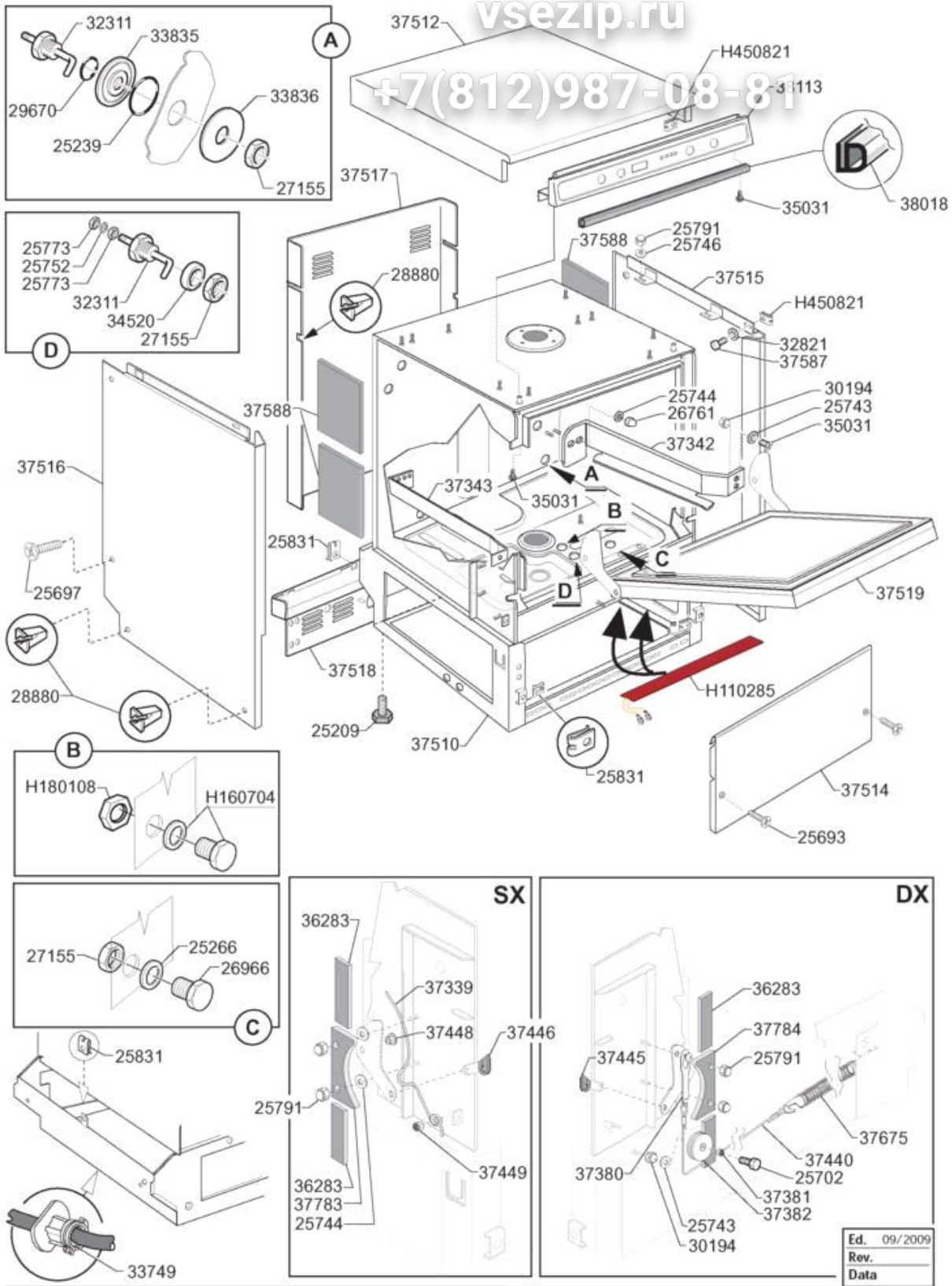
7(812)987-08-81



AP 53 E - FW 45 E
AP 60 E - FW 50 E

Ed. 11/2008

- vsezip.ru
7(812)987-08-81
- 1 Hood AP53E-FW45E
 - 2 Hood AP53E-FW45E '09
 - 3 Control Box AP53/60E-FW45/50E
 - 4 Rinse Assembly AP53/60E-FW45/50E
 - 5 Rinse Assembly AP53/60E-FW45/50E 07/2010 ->>
 - 6 Tank AP53/60E-FW45/50E
 - 7 Wash Pump AP53/60E-FW45/50E
 - 8 Wash/Rinse Arm AP53/60E-FW45/50E
 - 9 Wash/Rinse Arm AP53/60E-FW45/50E
 - 10 Rinse Aid Injector AP53/60E-FW45/50E
 - 11 Detergent Pump AP53/60E-FW45/50E
 - 12 Detergent Pump AP53/60E-FW45/50E (SEKO) >> 04/10
 - 13 Detergent Pump AP53/60E-FW45/50E (SEKO) ->> 06/10



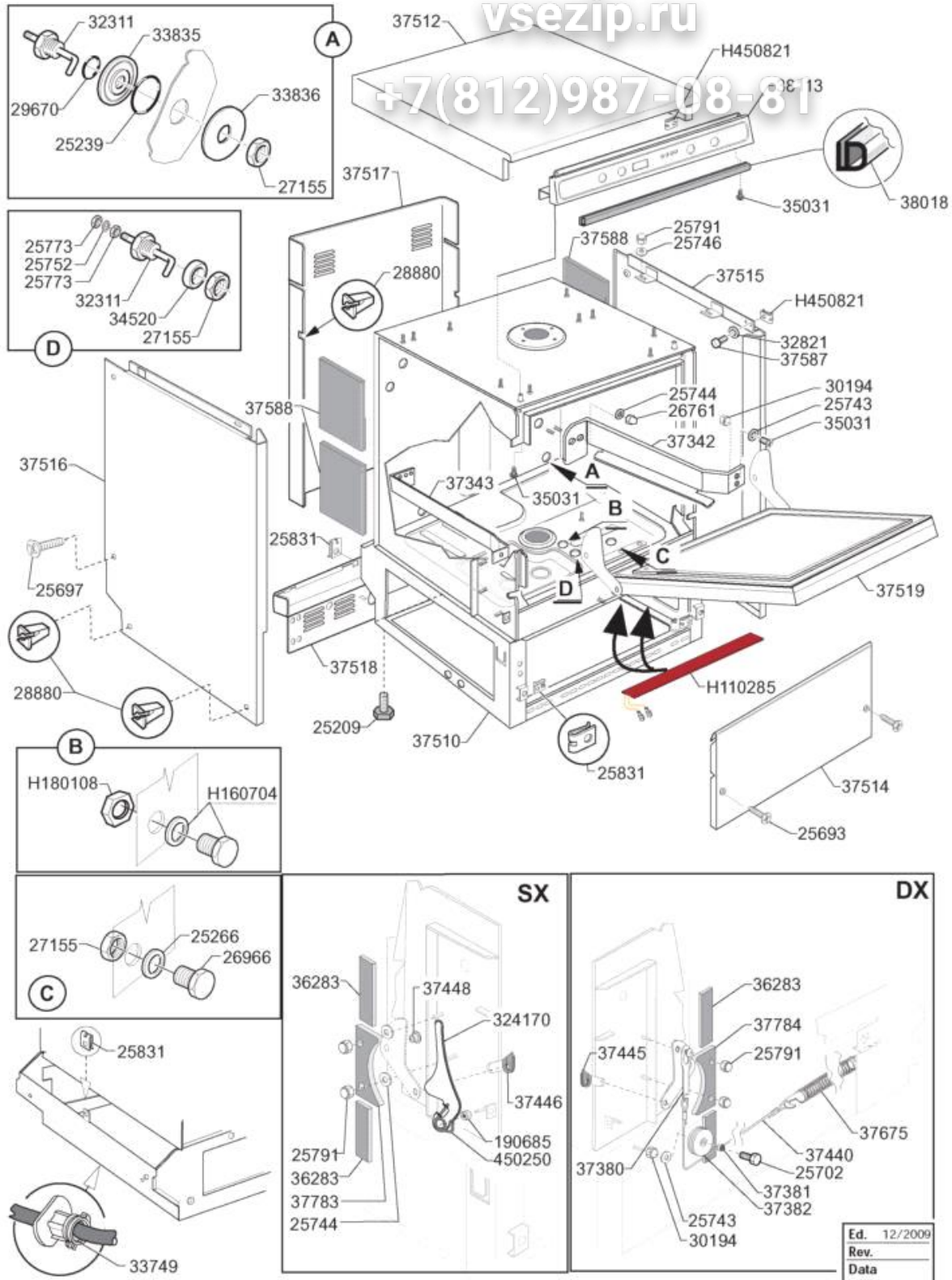
vsezip.ru

8(812)987-08-81

Code	Description
25209	FEET, HEXAG. BASE
25239	GASKET OR PB 701 3112 x AIR TRAP
25266	FLAT GASKET 18 X 10 X 2
25693	SELF-TAPPING SCREW BEVEL H. 4,2X13
25697	SELF-TAPPING SCREW CHEESE D747H.ROS
25702	SCREW CHEESE-H. KNURLED 4X14
25743	SPACER, FLAT, DIAM. 4
25744	SPACER, FLAT, DIAM.5
25746	SPACER, FLAT, DIAM.6/18
25752	TOOTHED SPACER DIAM.4 D.E.
25773	NUTS 4 MA SS 18/8
25791	SELF-LOCKING NUT 5 MA LOWER SIDE
25831	PLATE FOR SELFTHREAD. SCREW SIDES 7
26761	NUT BLIND 5 MA
26966	HOLE CLOSING PLUG
27155	PLASTIC NUT10 M
28880	NUT SCREW
29670	GASKET OR 2050 - MS 14
30194	SELF-LOCKING NUT 4 MA
32311	PROBE, 60° CURVED
32821	FLAT WASHER DIAM 5,5/15
33749	CABLE CLAMP PA 277
33835	ADAPTER FOR LEVEL PROBE
33836	SPACE WASHER TO LOCK PLUG PROBE
34520	GASKET, LEVEL PROBE/AIR TRAP
35031	BEVEL, CROSS-SL.HD SCREW M 4 X 12
36283	SELF-ADHESIVE GASKET 20X10
37339	SPRING FOR STOP DOOR
37342	DRUM RIGHT GUIDE ST/AP 53-60E
37343	DRUM LEFT GUIDE ST/AP 53-60E
37380	ROD ST
37381	BUSH ST/E 37382
37382	ROLLER
37440	FUNE INOX D.1,5 X 345
37445	RIGHT PROTECTION RUBBER
37446	PROTECTION RUBBER LEFT
37448	BUSH AT DOOR
37449	BUSH AT DOOR ST/E
37510	BODY, ST/AP 53 E
37512	PANEL UPPER ST/AP 53 E
37514	FRONT PANEL ST 53 E
37515	RIGHT SIDE PANEL ST53 E
37516	LEFT SIDE PANEL ST 53 E
37517	PANEL REARST 53 E
37518	REAR PANEL, BASE ST 53E

vsezip.ru

Code	Description
37519	DOOR,ST 53E
37587	SCREW HEX.HD. 5 X 8 SS
37588	INSULATION 150x125x10
37675	DOOR SPRING ST
37783	LEFT PAS.DOOR
37784	RIGHT PAS.DOOR
38018	GASKET FOR DOOR ST53E
38113	NAMEPLATE HOLDER AP53E '09
H110285	HEATING ELEM. TANK ETCHED FOIL 500W
H160704	BLACK PLUG WITH GASKET 1/2"GAKT20
H180108	NUT 1/2" GAS
H450821	SPRING CLIP FASTENER LSNU 2569"5MA"



Ed.	12/2009
Rev.	
Data	

vsezip.ru

+7(812)987-08-81

Code	Description
110285	HEATING ELEM. TANK ETCHED FOIL 500W
160704	BLACK PLUG WITH GASKET 1/2"CAKT20
161406	RIGHT PROTECTION RUBBER
161407	PROTECTION RUBBER LEFT
180108	NUT 1/2" GAS
180655	LEFT PAS.DOOR ST/LFD
180656	RIGHT PAS.DOOR ST/LFD
190685	BUSH AT DOOR ST/BC
190687	HANDLE BUSH
200970	QUADROTTO AD.POL.ES.150x125x10
25209	FEET, HEXAG. BASE
25239	GASKET OR PB 701 3112 x AIR TRAP
25266	FLAT GASKET 18 X 10 X 2
25693	SELF-TAPPING SCREW BEVEL H. 4,2X13
25697	SELF-TAPPING SCREW CHEESE D747H.ROS
25702	SCREW CHEESE-H. KNURLED 4X14
25743	SPACER, FLAT, DIAM. 4
25744	SPACER, FLAT, DIAM.5
25746	SPACER, FLAT, DIAM.6/18
25752	TOOTHED SPACER DIAM.4 D.E.
25773	NUTS 4 MA SS 18/8
25791	SELF-LOCKING NUT 5 MA LOWER SIDE
25831	PLATE FOR SELFTHREAD. SCREW SIDES 7
26761	NUT BLIND 5 MA
26966	HOLE CLOSING PLUG
27155	PLASTIC NUT10 M
28880	NUT SCREW
29670	GASKET OR 2050 - MS 14
30194	SELF-LOCKING NUT 4 MA
32311	PROBE, 60° CURVED
324170	PLATE LEVER SPRING ST/BC
32821	FLAT WASHER DIAM 5,5/15
330242	TIE ROD LFD/BC
332148	COMPASS for SEAM 440517
33749	CABLE CLAMP PA 277
33835	ADAPTER FOR LEVEL PROBE
33836	SPACE WASHER TO LOCK PLUG PROBE
34520	GASKET, LEVEL PROBE/AIR TRAP
35031	BEVEL, CROSS-SL.HD SCREW M 4 X 12
36283	SELF-ADHESIVE GASKET 20X10
37342	DRUM RIGHT GUIDE ST/AP 53-60E
37343	DRUM LEFT GUIDE ST/AP 53-60E
37440	FUNE INOX D.1,5 X 345
37510	BODY, ST/AP 53 E
37512	PANEL UPPER ST/AP 53 E

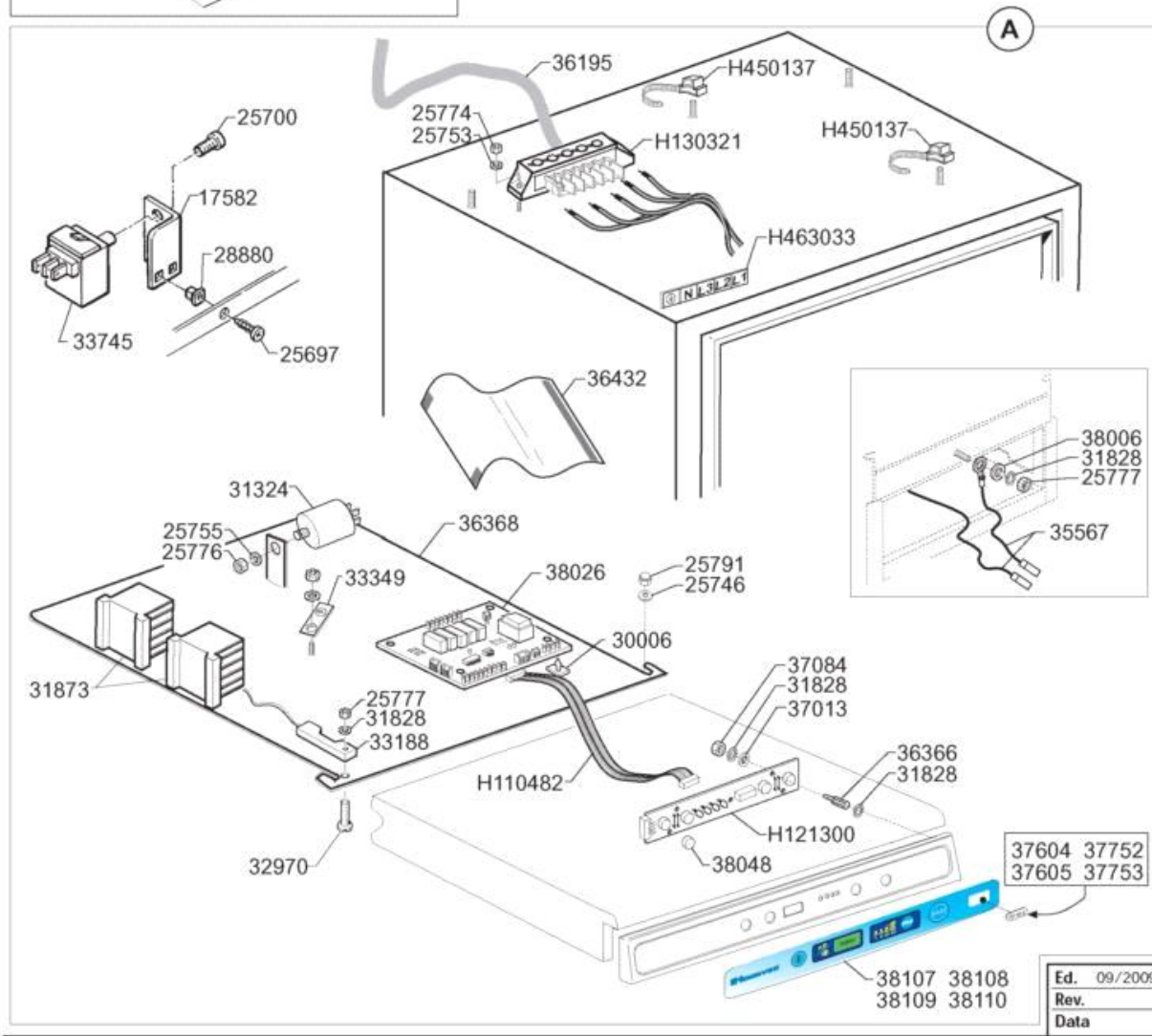
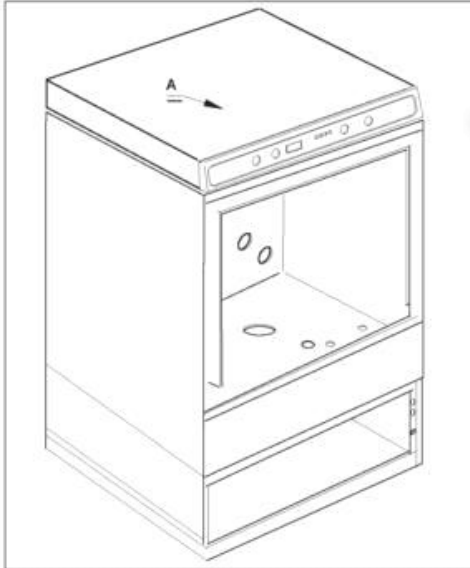
vsezip.ru

812)987-08-81

Code	Description
37514	FRONT PANEL ST 53 E
37515	RIGHT SIDE PANEL ST53 E
37516	LEFT SIDE PANEL ST 53 E
37517	PANEL REARST 53 E
37518	REAR PANEL, BASE ST 53E
37519	DOOR,ST 53E
37587	SCREW HEX.HD 5 X 8 SS
38018	GASKET FOR DOOR ST53E
38303	NAMEPLATE HOLDER AP 53E
440517	ROLLER LFD
450250	DOOR SPRING ST/BC
450290	DOOR SPRING LFD/BC/ST
450821	SPRING CLIP FASTENER LSNU 2569"5MA"

vsezip.ru

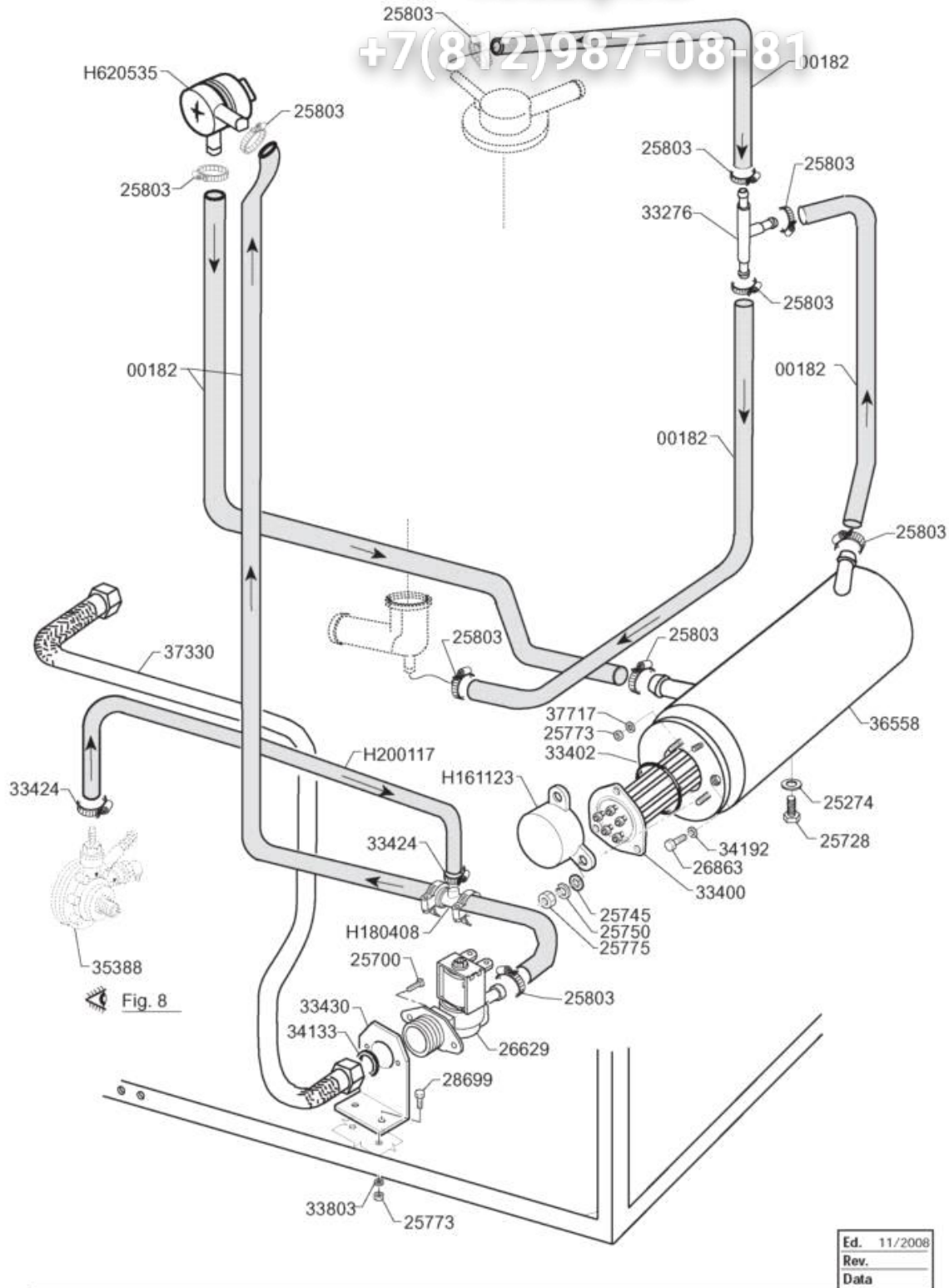
+7(812)987-08-81



Code	Description
17582	HOLDER THERMOSTAT 43/60
25697	SELF-TAPPING SCREW CHEESE D717H ROS
25700	SCREW CHEESE-H. 4 X 3 KNURLED
25746	SPACER, FLAT, DIAM.6/18
25753	TOOTHED SPACER.DIAM.5 D.E.
25755	TOOTHED SPACER DIAM.8
25774	NUTS 5 MA
25776	NUTS 8 MA SS 18/8
25777	NUTS 3 MA
25791	SELF-LOCKING NUT 5 MA LOWER SIDE
28880	NUT SCREW
30006	SPACER FOR PRINTED CIRC. HOLDER
31324	NOISE FILTER, TYPE 5001
31828	DENTED ROUND SPACER, EX ? 3
31873	REMOTE SWITCH 220-240V- B6-30-10
32970	BEVEL, CROSS-SLOT HD. SCREW TS 3 X
33188	MAGNETIC SENSOR
33349	INDICAT.PLATE, EARTHING
33745	LIMITER 110° MANUAL RESET
35567	PROBE TEMP. NTC 3.3K YELLOW
36195	SUPPLY CABLE 5Gx1,5 H07RN-F
36366	SPACER FOR KEYBOARD CUTOFF SNAP H10
36368	ELECTRIC PLANT SUPPORT C E
36432	SAF. THERMOSTAT PROTECT. APS/C81/C9
37013	RONDELLA PIANA M3 NWE34815-M3
37084	DADO NYLON M3 NNE34814M3
37604	STICKING NAMEPLATE, PANEL AP53E
37605	STICKING NAMEPLATE, PANEL AP60E
37752	STICKING NAMEPLATE, PANEL FW45E
37753	STICKING NAMEPLATE, PANEL FW50E
38006	FLAT SPACER M4x12 DIN9021A2
38026	PRINT.CIRC.BOARD HAC swstob APE V1.02
38048	HORIZ. CONTR. KEYBOARD KEY
38107	CONTROL BOARD AP 43/48/53E '09
38108	CONTROL BOARD AP 60 E '09
38109	CONTROL BOARD FW 35/40/45E '09
38110	CONTROL BOARD FW 50 E '09
H110482	CONNEct. CABLE 1200 mm
H121300	PRINTED CIRCUIT BOARD, KEYBOARD HAC
H130321	TERMINAL BLOCK 6 P FV 122
H450137	COLLAR COUPLING WITH BASE 31900
H463033	INDIC.PLATE, 3-PHASE LINE

vsezip.ru

+7(812)987-08-81



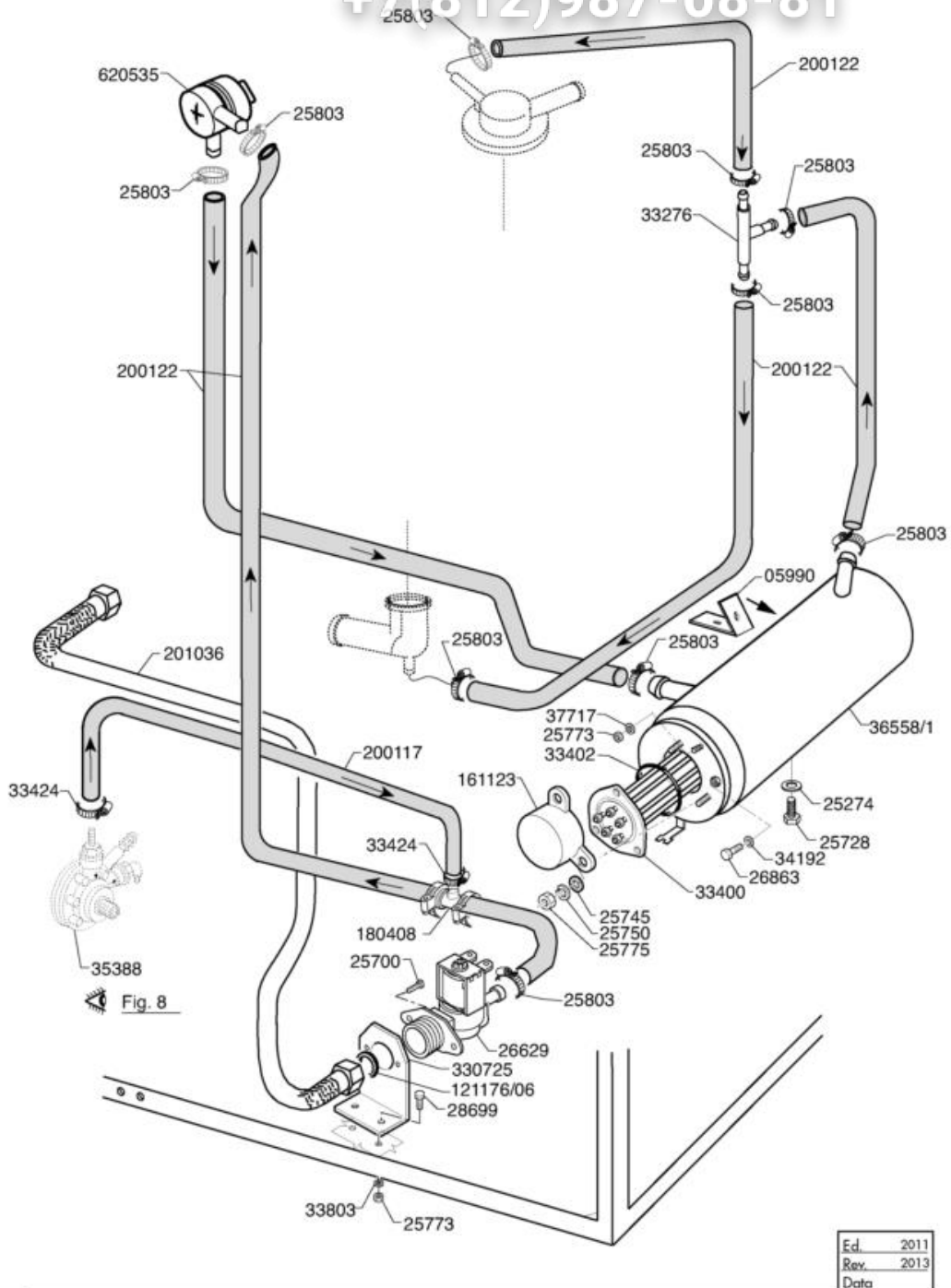
vsezip.ru

87(812)987-08-81

Code	Description
00182	HOSE 11X19 CASER/15"BLUE"
25275	GASKET, WASH DELIV. ARMS
25700	SCREW CHEESE-H. 4 X 3 KNURLED
25728	SCREW HEX.HD M 8 X 10 SS
25745	SPACER, FLAT, DIAM.6
25750	SPACER, SPLITTED, DIAM. 6
25773	NUTS 4 MA SS 18/8
25775	NUT 6 MA
25803	HOSE CLIP 13-20 ABA
26629	SOLENOID VALVE, SING.3/4" T/N
26863	HEX HD SCREW 6 X 8 STAINLESS S.
28699	CHEESE-HD SCREW TC 4 X 10
33276	T-SHAPED CONNECTOR ?11,5-PART180413
33400	HEAT.EL.FL.6000W 220/380V (110349)
33402	GASKET OR 6X56X68
33424	FE-ZN CLAMP 11-17 H=9
33430	STANDARD SQ.BRACKET
33803	SPACE WASHER, GROWER DIAM.4
34133	CONTROL QTY 14 LT.
34192	SEAL WASHER
35388	RINSE AID DISP."YELLOW" C/STS
36558	BOILER CPL C 53 60 E
37330	TUBO CARICO 10bar-70°-3/4"G
37717	FLAT SPACER contact INOX A2 M4
H161123	HEAT.ELEMENT COVER H42 SNL
H180408	T-SH. NIPPLE, DISPENSER(former 3342
H200117	RUBBER HOSE 8X16, INDUSTR,10
H620535	ANTI-VACUUM VALVE "B-F-C"

vsezip.ru

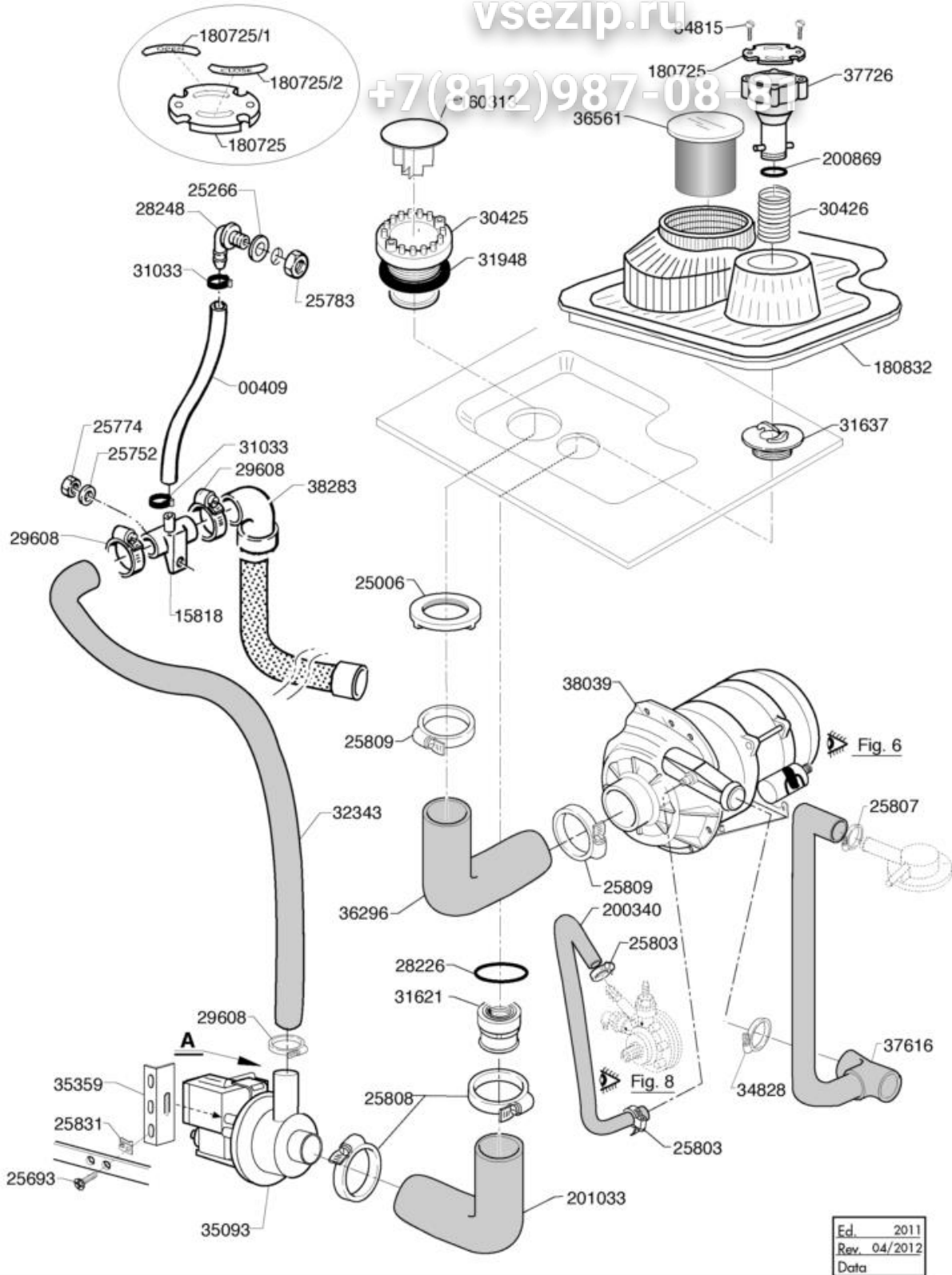
+7(812)987-08-81



Code	Description
121176/06	SOLENOID VALVE REGULATOR 6 l/min GREY
161123	HEAT.ELEMENT COVER H42 SNL
180408	T-SH. NIPPLE, DISFEN SCR(former 3342)
200117	RUBBER HOSE 8X16, INDUSTR,10
200122	HOSE 11X19
201036	INLET HOSE 2 MT
25274	FLAT GASKET 12 X 6 X 2
25700	SCREW CHEESE-H. 4 X 8 KNURLED
25728	SCREW HEX.HD M 8 X 10 SS
25745	SPACER, FLAT, DIAM.6
25750	SPACER, SPLITTED, DIAM. 6
25773	NUTS 4 MA SS 18/8
25775	NUT 6 MA
25803	HOSE CLIP 13-20 ABA
26629	SOLENOID VALVE, SING.3/4" T/N
26863	HEX HD SCREW 6 X 8 STAINLESS S.
28699	CHEESE-HD SCREW TC 4 X 10
330725	STANDARD BRACKET F.SOLEN.VALV
33276	T-SHAPED CONNECTOR ?11,5-PART180413
33400	HEAT.EL.FL.6000W 220/380V (110349)
33402	GASKET OR 6X56X68
33424	FE-ZN CLAMP 11-17 H=9
33803	SPACE WASHER, GROWER DIAM.4
34192	SEAL WASHER
35388	RINSE AID DISP."YELLOW" C/STS
36558/1	BOILER CPL C 53 60 E
37717	FLAT SPACER contact INOX A2 M4
620535	ANTI-VACUUM VALVE "B-F-C"

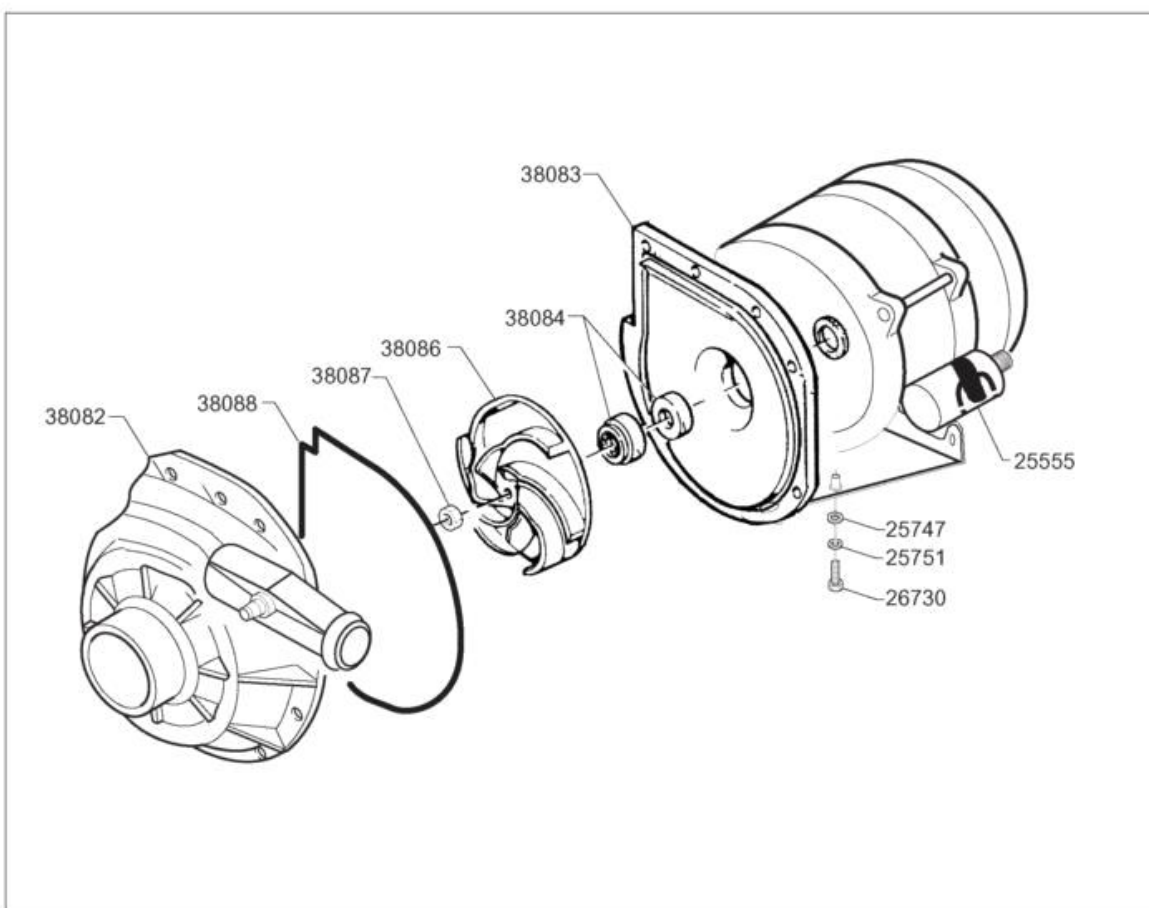
vsezip.ru

+7(812)987-08-31



Code	Description
00409	ROUND TUBE 6X9, CLEAR
15818	VALVE X DRAIN WITH BREAT. PIPE
160313	VORTEX BREAKER
180725	OVERFLOW PIPE COVER
180725/1	Plate for cover 180725 "OPEN"
180725/2	Plate for cover 180725 "CLOSE"
180832	FILTER FOR LF TANK
200340	SALT CONTAINER HOSE B25-7-12
200869	GASKET
201033	DRAIN PUMP INLET HOSE 90°
25006	NUT FO DRAIN SUCT. P.
25266	FLAT GASKET 18 X 10 X 2
25693	SELF-TAPPING SCREW BEVEL H. 4,2X13
25752	TOOTHED SPACER DIAM.4 D.E.
25774	NUTS 5 MA
25783	NUT 10 MA
25803	HOSE CLIP 13-20 ABA
25807	HOSE CLIP 26-38 ABA
25808	HOSE CLIP 27-51CLAM
25809	HOSE CLIP 40-64CLAM
25831	PLATE FOR SELFTHREAD. SCREW SIDES 7
28226	GASKET OR 3181 FOR DRAIN LUG
28248	ELBOW LUG T/N
29608	HOSE CLIP 17-32CLAM
30425	SUCTION PIPE UNION
30426	SPRING FOR OVERFLOW TUBE
31033	HOSE CLIP WITH COUPLING
31621	FITTING, DRAIN PUMP
31637	CROSSLESS HOOK SLEEVE
31948	GASKET OR
32343	DRAIN SLEEVE AP 53-60
34815	CROSS-SL.HD SELF-TAP.SCREW3,9 X 13
34828	CLAMP NR5 38-50, 9-MM WIDTH
35093	DRAIN PUMP HANNING TYPE DPS 25
35359	HOLDER. HANNING DRAIN.P. C/STS60
36296	SUCTION SLEEVE C 53/60 E
36561	NET FILTER, SMALL SIZE C53/60 3
37616	FEED PIPE, WASH. 3VIE AP53/60E
37726	OVERFLOW TUBE H=120 S.A.
38039	WASH PUMP CENTRIF.ASH175 H60 230V150Hz
38283	DRAIN PIPE, DIAM.18,5X2000

38039



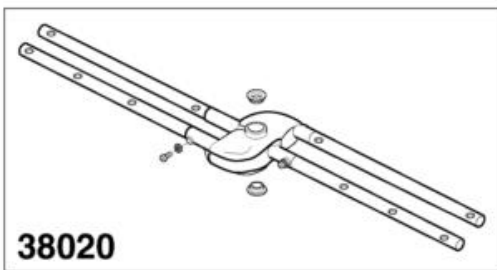
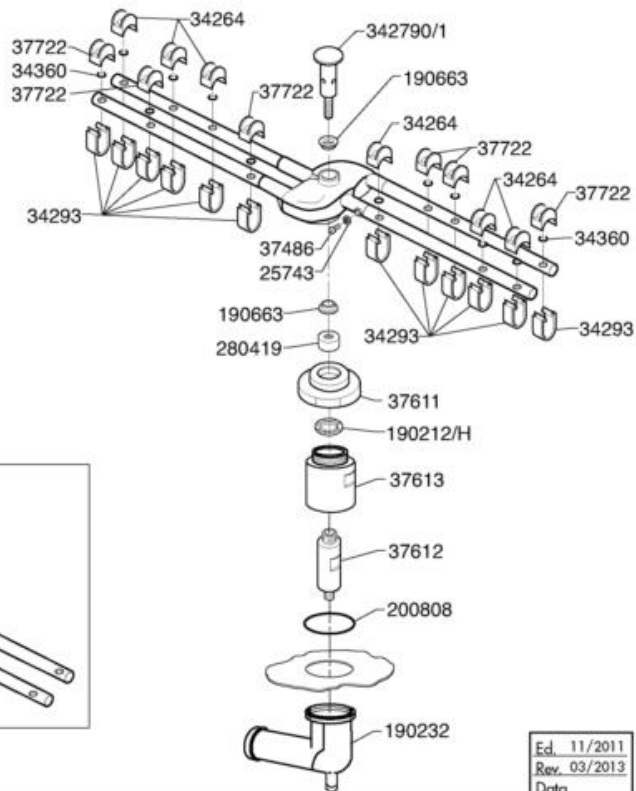
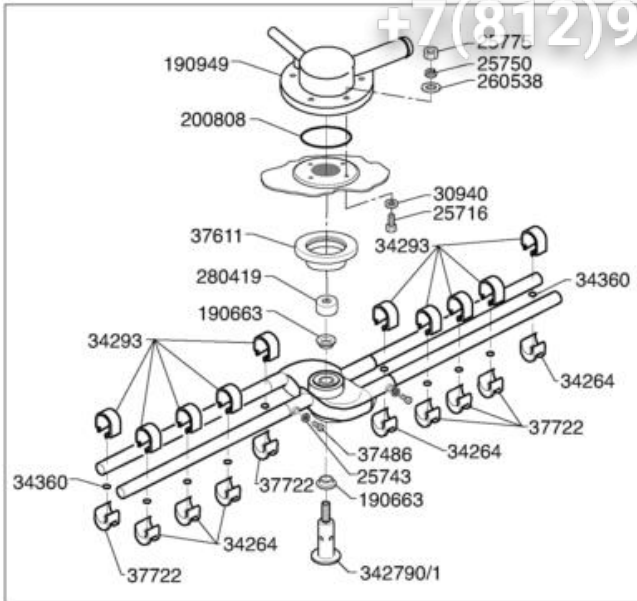
Ed.	11/2008
Rev.	
Data	

vsezip.ru

+7(812)987-08-81

Code	Description
25555	CAPACITOR UF 12,5-450 V
25747	SPACER, FLAT, DIAM. 3
25751	SPACER. SPLITTED, DIAM. 8
26730	SCREW TE M 8 X 20
38039	WASH PUMP CENTRIF.ASH175 H60 230V150Hz
38082	ELECTR.PUMP SCROLL, ASH170-175-180
38083	FLANGE, ELECTROPUMP ASH170-175-180
38084	MECH. SEAL PR/AR 13 BEFF
38086	IMPELLER WASH P.ASH175-80 DIA.87
38087	LOCKING NUT IMPELLER PUMP ASH
38088	OR GASKET PUMPS ASH

+7(812)987-08-81



Ed.	11/2011
Rev.	03/2013
Data	

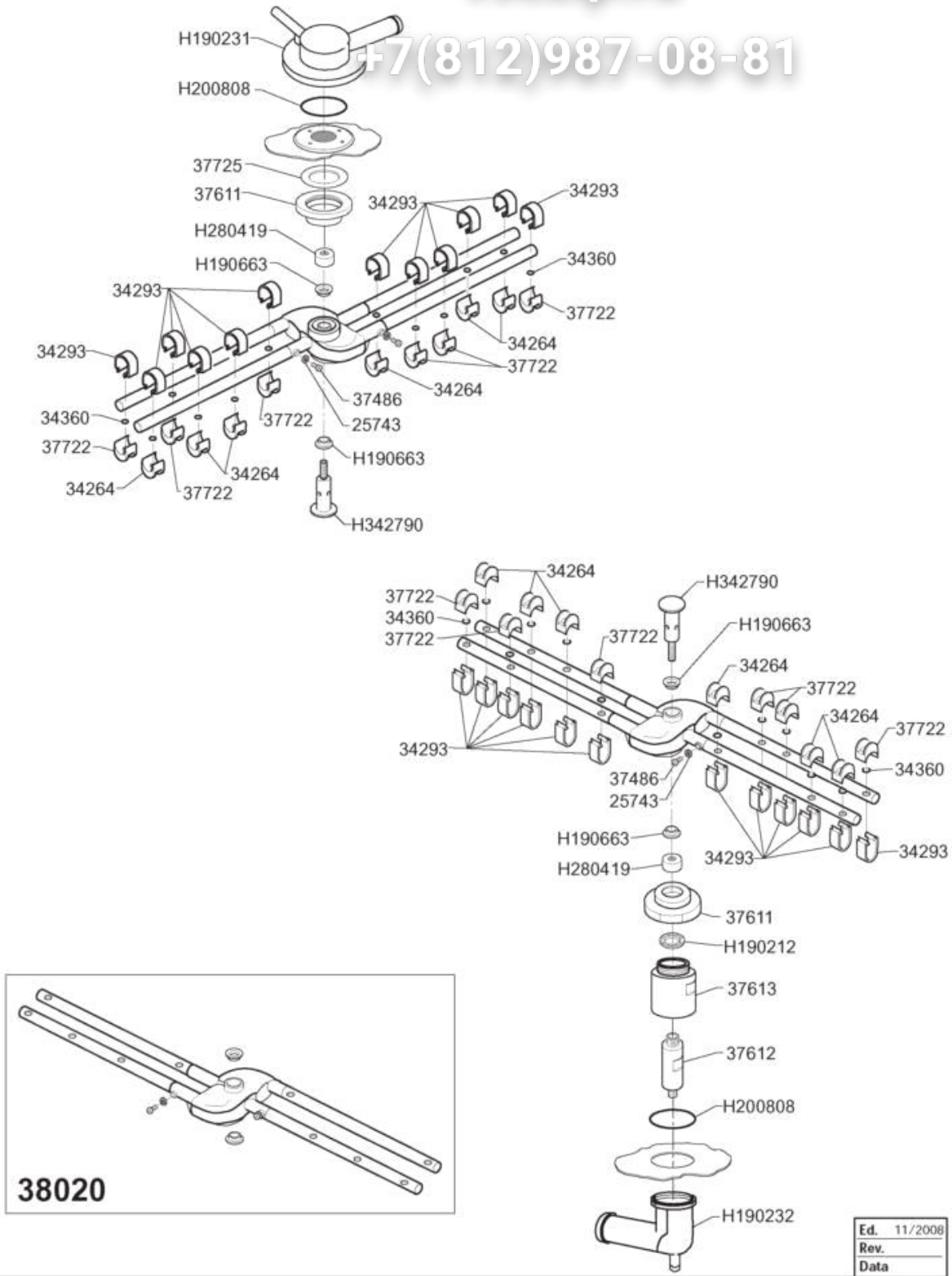
vsezip.ru

+7(812)987-08-81

Code	Description
190212/H	SPACER RING AP/E FC06
190232	LOWER REV.WASHARM HOLDER AP/E
190663	Bush, rinse arm aps.Hfn-1214.07
190949	HOLDER WASHARM UPP. AP/E
200808	OR GASKET OR 3,53x50,80x57,86
25716	SCREW HEX.HD M 6 X 20 SS
25743	SPACER, FLAT, DIAM. 4
25750	SPACER, SPLITTED, DIAM. 6
25775	NUT 6 MA
260538	PRESS.WASHER 18X6X1,5 ST/ST
280419	RING NUT FOR PIN OF AP/E COUPLING
30940	FLAT SPACER, BLACK, DIA. 6
34264	RINSE JET WITH SPRING
342790/1	PIN AP/E
34293	JET LOCK SPRING
34360	GASKET OR 7 X 1 NBR 70
37486	SCREW TCC 4 x 6 INOX A2 UNI6107
37611	UPPER/LOWER COLUMN AP/E
37612	EXTENSION, SHAFT ARM AP/E
37613	EXTENSION, LOWER COLUMN
37722	GREY WASHING JET, SPLITTED
38020	PREASS WASH/RINSE ARM. AP53/60E

vsezip.ru

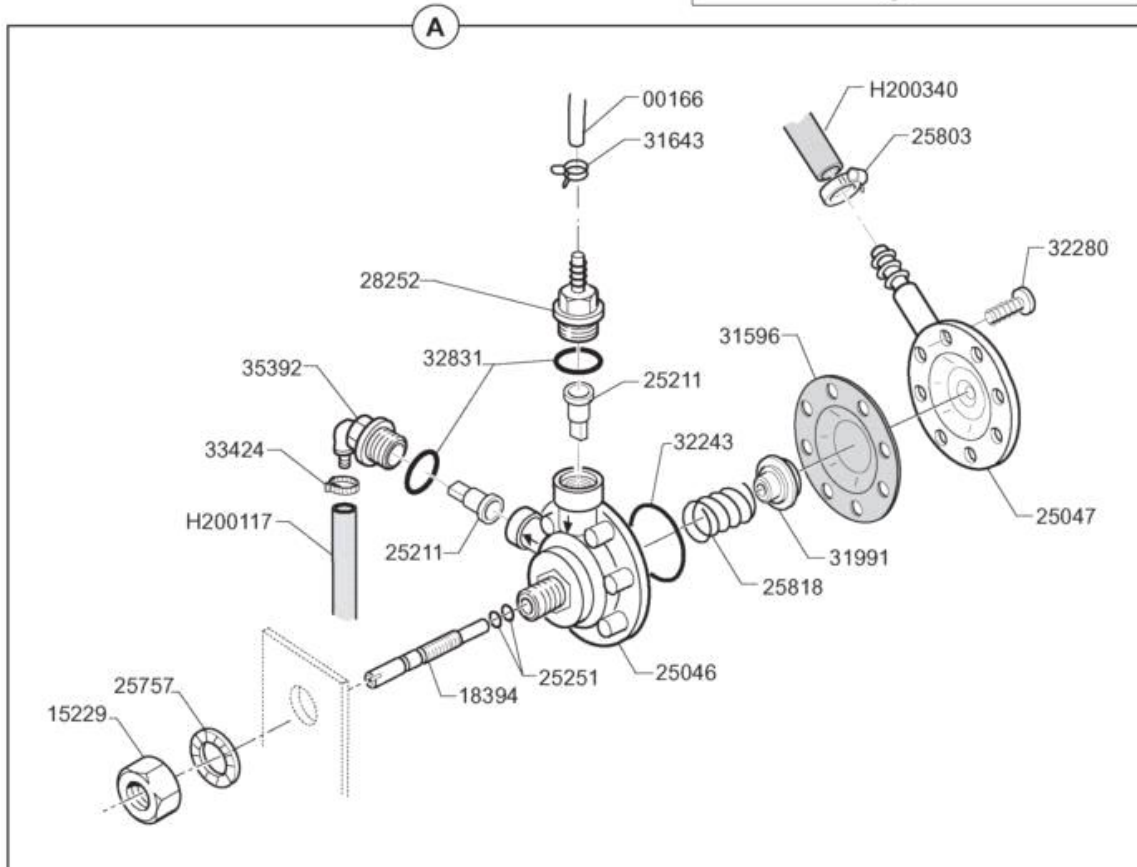
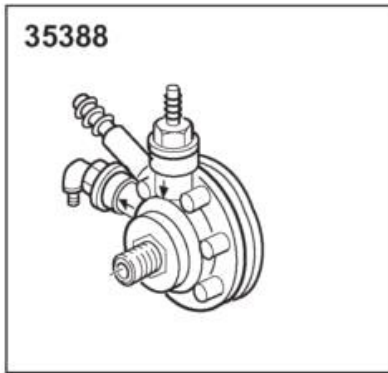
+7(812)987-08-81



vsezip.ru

7(812)987-08-81

Code	Description
25743	SPACER, FLAT, DIAM. 4
34264	RINSE JET WITH SPRING
34293	JET LOCK SPRING
34360	GASKET OR 7 X 1 NBR 70
37486	SCREW TCC 4 x 6 INOX A2 UNI6107
37611	UPPER/LOWER COLUMN AP/E
37612	EXTENSION, SHAFT ARM AP/E
37613	EXTENSION, LOWER COLUMN
37722	GREY WASHING JET, SPLITTED
37725	PLUG DISC, AP/E
38020	PREASS WASH/RINSE ARM. AP53/60E
H190212	SPACER RING AP/E
H190231	HOLDER WASHARM UPP. AP/E
H190232	LOWER REV.WASHARM HOLDER AP/E
H190663	Bush, rinse arm aps Hfm-121407
H200808	OR GASKET OR 3,53x50,80x57,86
H280419	RING NUT FOR PIN OF AP/E COUPLING
H342790	SHAFT ARM AP/E



Ed.	11/2008
Rev.	
Data	

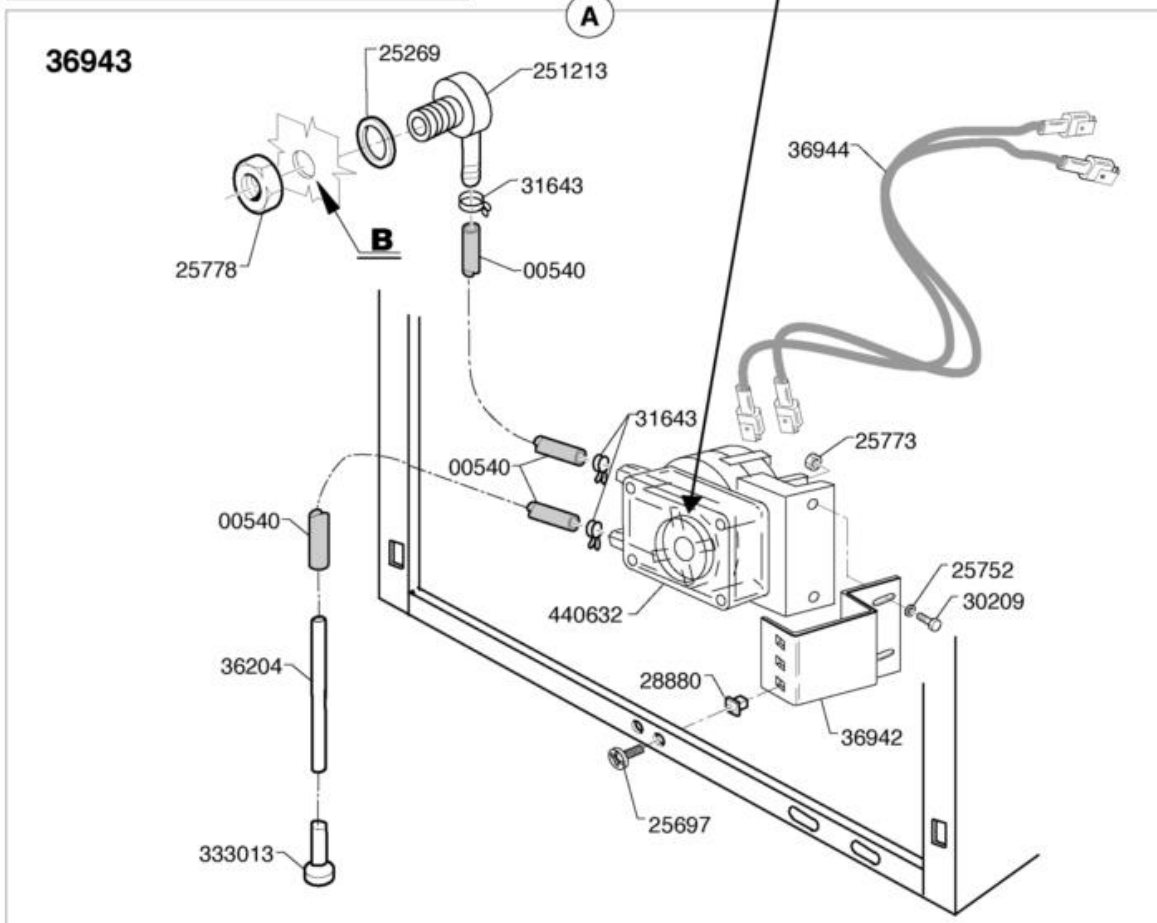
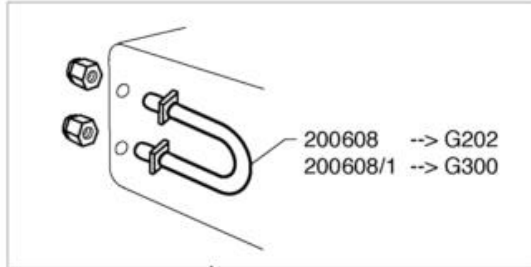
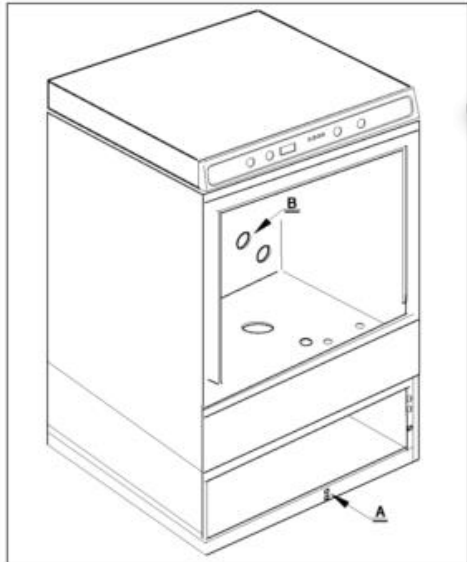
vsezip.ru

812)987-08-81

Code	Description
00166	ROLL TUBE TRANSP. 4X7
15229	LOCK NUT AID DISPENSER
18394	SCREW CONTROL DISPENSER
25046	UPPER DISPENSER ASSEMBLY
25047	LOWER DISPENSER ASSEMBLY
25211	NON RETURN VALVE RINSE AID DISP.
25251	GASKET OR 2012
25757	TOOTHED SPACER DIAM. 12 D.E.D787
25803	HOSE CLIP 13-20 ABA
25818	CYLINDER SPRING (WIRE)
28252	FITTING SUCTION DISPENSER
31596	DIAPHRAGM, DISPENSER
31643	HOSE CLIP 7,3-7,8
31991	SPRING GUIDE FOR DISPENSER
32243	GASKET OR 3156
32280	OVAL HD. CROSS-SL. SCREW 4 X 13
32831	GASKET OR 2062
33424	FE-ZN CLAMP 11-17 H=9
35388	RINSE AID DISP."YELLOW" C/STS
35392	90° VALVE FITTING, RINSE AID H/C
H200117	RUBBER HOSE 8X16, INDUSTR,10
H200340	SALT CONTAINER HOSE B25-7-12

vsezip.ru

+7(812)987-08-81



Ed.	06/2008
Rev.	2011
Data	

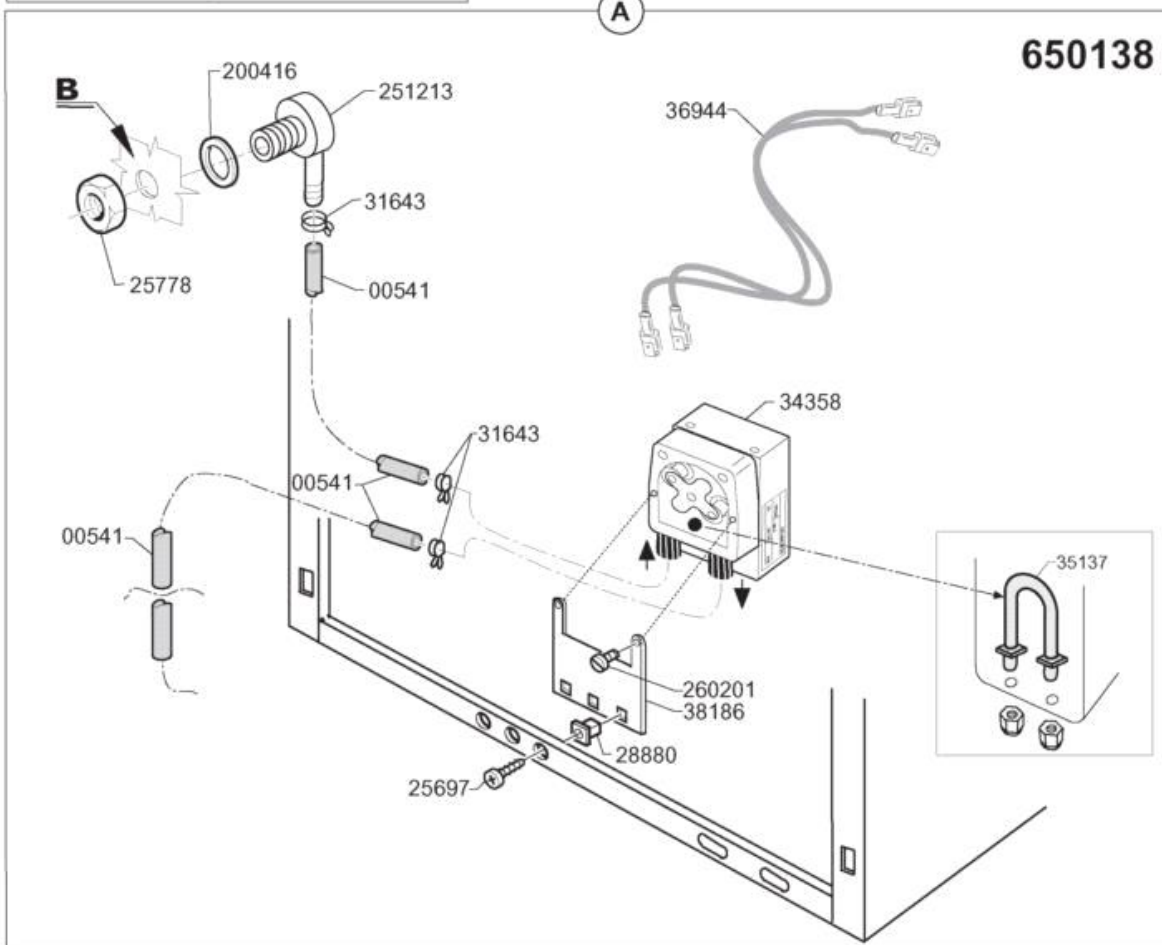
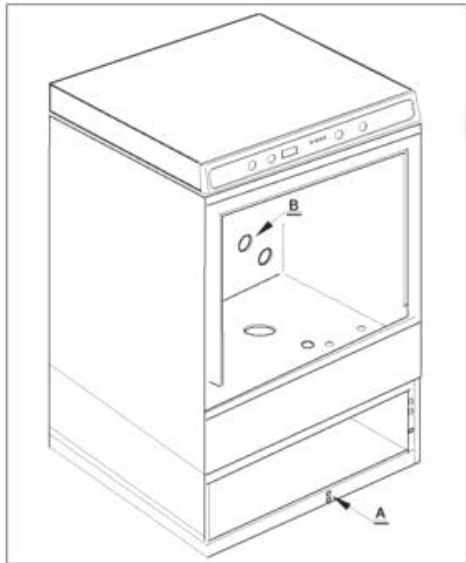
vsezip.ru

Code	Description
00540	RED TUBE 8X4 ROLL
200608	TUBE for DETER DISPENSER GERMAC G202
200608/1	TUBE for DETER DISPENSER GERMAC G300
251213	DETERG. PUMP FITTING
25269	FLAT GASKET
25697	SELF-TAPPING SCREW CHEESE D747H.ROS
25752	TOOTHED SPACER DIAM.4 D.E.
25773	NUTS 4 MA SS 18/8
25778	NUTS 12 M 18/8 ss
28880	NUT SCREW
30209	HEX.HD. SCREW 4 X 10
31643	HOSE CLIP 7,3-7,8
333013	FILTER DET.-RINSE AID PREASS.
36204	SINGLE COUNTERWEIGHT, DETERGENT HOS
36942	FIX.SQUARE for DETER DISPEN. x H440632
36943	KIT: DETERG.PUMP, C E
36944	CONN. WIRES, DETERGENT PUMP C E
440632	DETERG. DISPENS WALL MOUNT. G300-230V

Вин общепит

vsezip.ru

+7(812)987-08-81



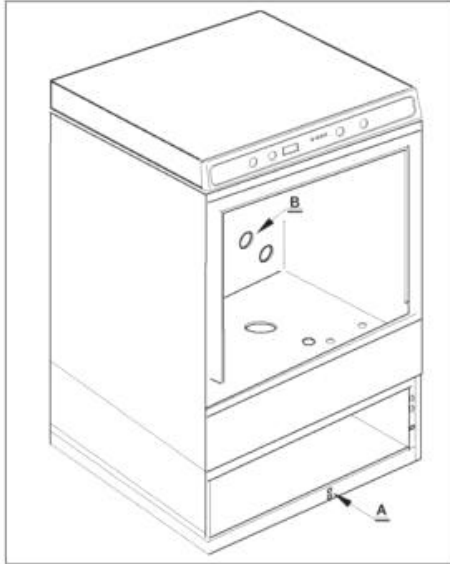
Ed.	04/2010
Rev.	
Data	

Code	Description
00541	RED TUBE 4x6 PVC
200416	GASKET D. 3/4"
251213	DETERG. PUMP FITTING
25697	SELF-TAPPING SCREW CHEESE D747H.ROS
25778	NUTS 12 M 18/8 ss
260201	SCREW TCP 3X10
28880	NUT SCREW
31643	HOSE CLIP 7,3-7,8
34358	DETERGENT PUMP PERISTALSISTIC
35137	PUMP HOSE DET.SEKO PG3
36944	CONN. WIRES, DETERGENT PUMP C E
38186	PIASTRA FISSAGG. PD SEKO 34358
650138	DETERGENT INJECTOR (KIT) SEKO PBR3

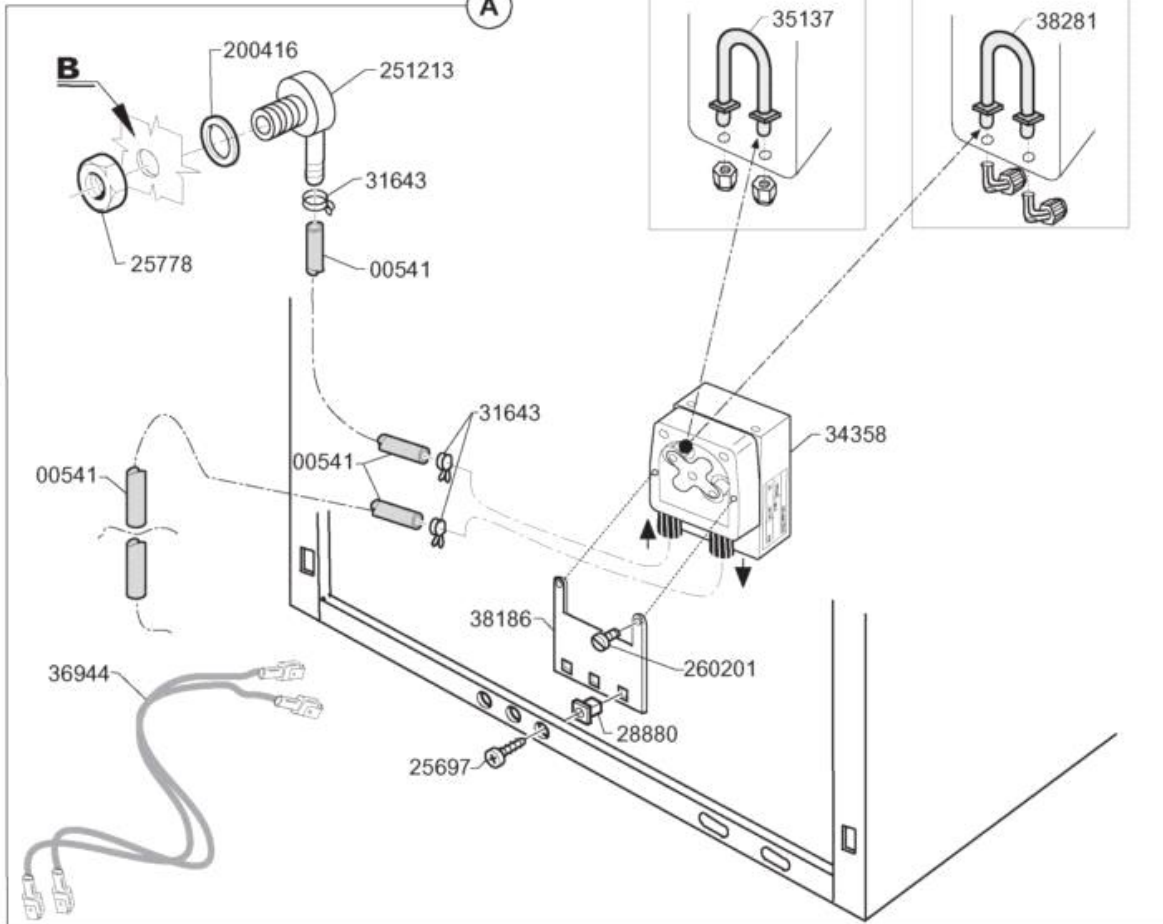
Вит Общепит

vsezip.ru

+7(812)987-08-81



650138



Ed.	09/2010
Rev.	
Data	

Code	Description
00541	RED TUBE 4x6 PVC
200416	GASKET D. 3/4"
251213	DETERG. PUMP FITTING
25697	SELF-TAPPING SCREW CHEESE D747H.ROS
25778	NUTS 12 M 18/8 ss
260201	SCREW TCP 3X10
28880	NUT SCREW
31643	HOSE CLIP 7,3-7,8
34358	DETERGENT PUMP PERISTALSISTIC
35137	PUMP HOSE DET.SEKO PG3
36944	CONN. WIRES, DETERGENT PUMP C E
38186	PIASTRA FISSAGG. PD SEKO 34358
38281	DETERGENT DISPENSER HOSE SEKO 90°
650138	DETERGENT INJECTOR (KIT) SEKO PBR3

vsezip.ru

+7(812)987-08-81