

**CATALOGO RICAMBI
SPARE PARTS
PIECES DETACHEES
ERSATZTEILE
LISTA DE RECAMBIOS**

Зип Общепит

vsezip.ru

+7(812)987-08-81

**Lavastoviglie
Lavevaisselle
Geschirrspüler
Dishwashers
Lavavajillas**

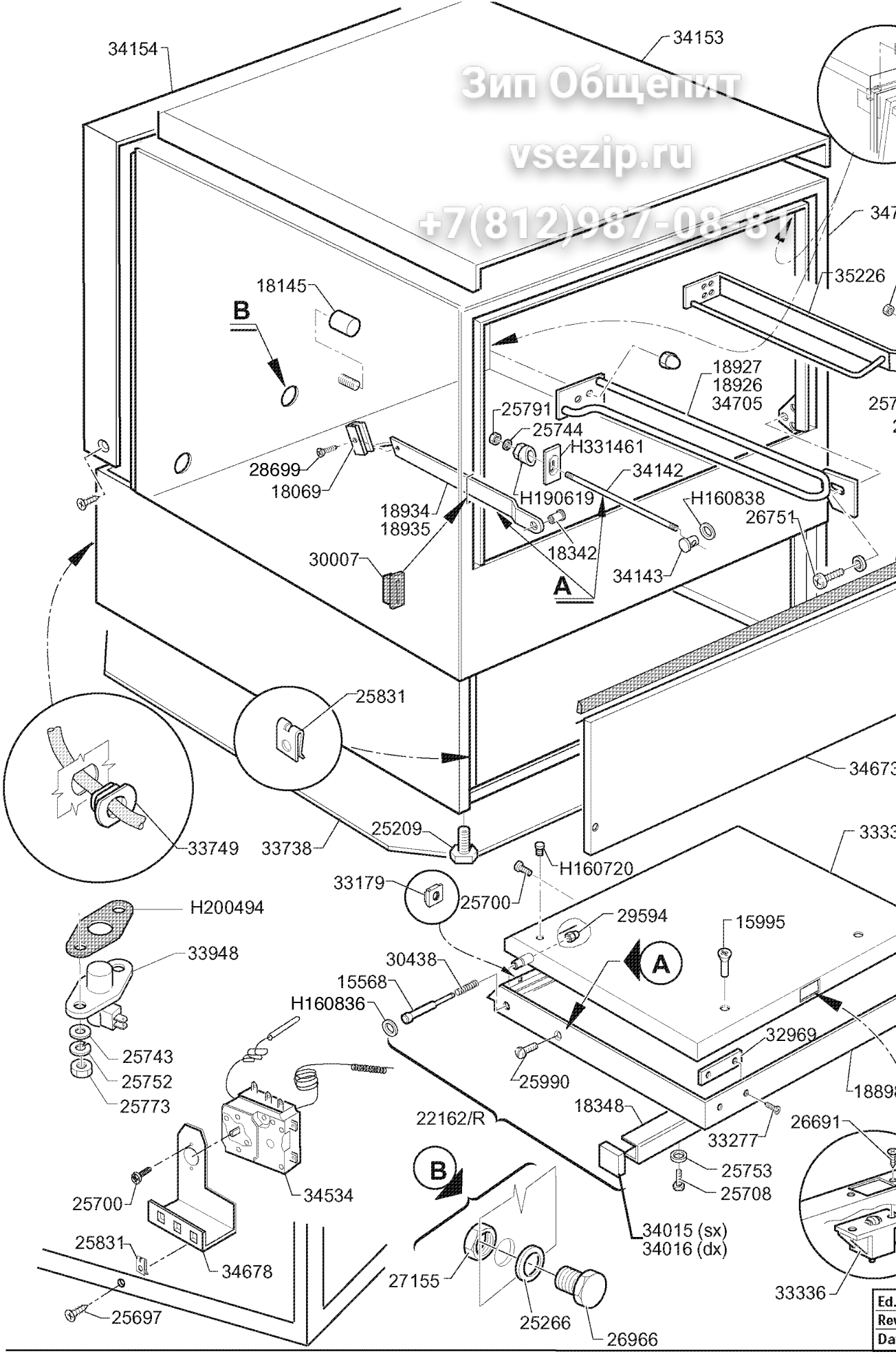
**C 35
SPB 35**

**Ed. 03.99
Rev. 2001**

Зип Общепит

vsezip.ru

+7(812)987-08-81



Ed.
Rev.
Da

34402

Эксплуатация
сервиса
+7(812)987-08-81

+7(812)987-08-81

25774

25744

34046

25775

25700

34305

31323

31171

31324

34156

25757

25782

34312

H460285

25773

25831

34141

34199

25697

32891

33247

32892

28870

34236

29529

32891

33247

32890

32916

33188

25777

31828

30517

32872

33247

32890

31171

H450134

H160121

H450134

25011

25239

25263

25010

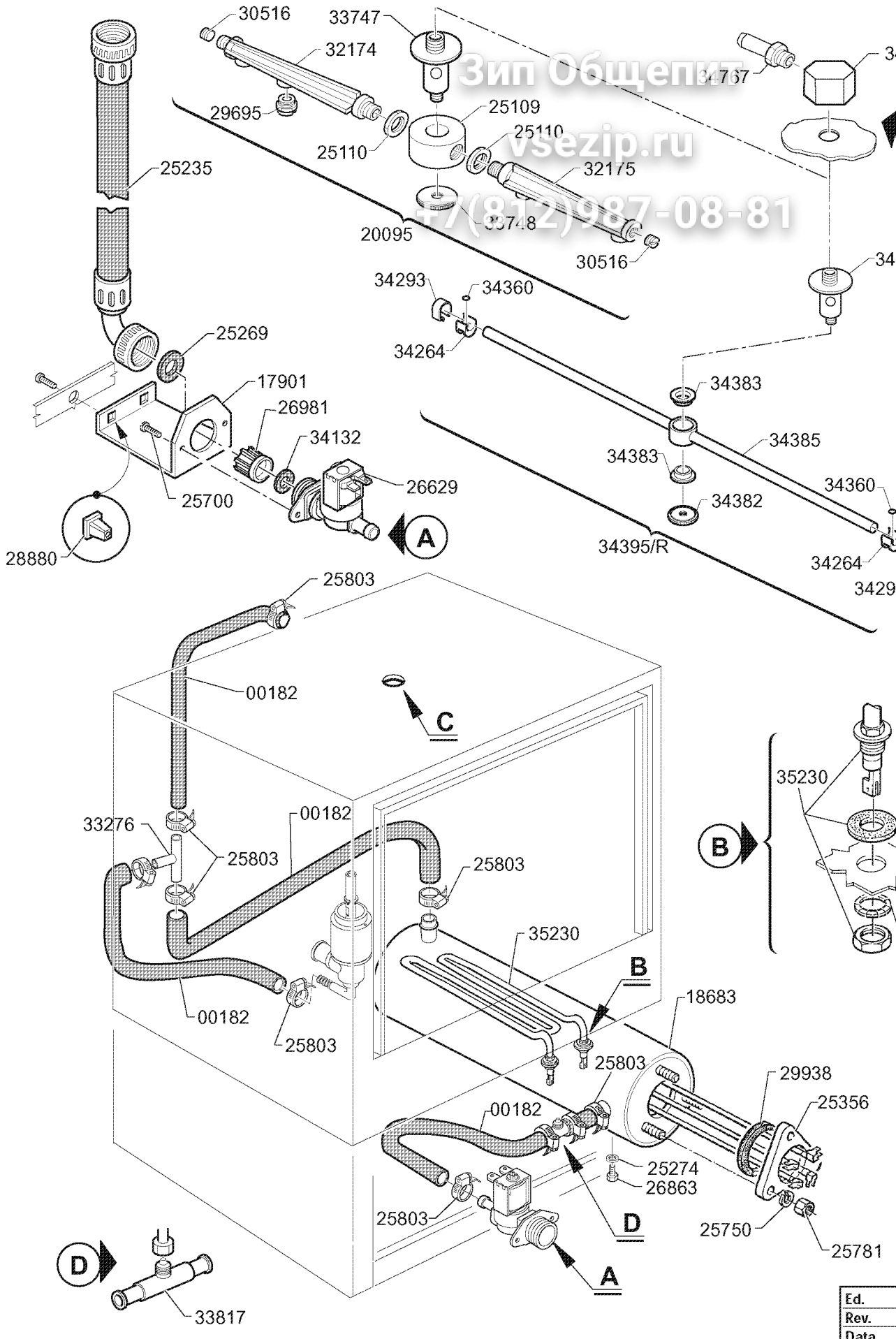
C 35 PS
SPB 35 PS

35836

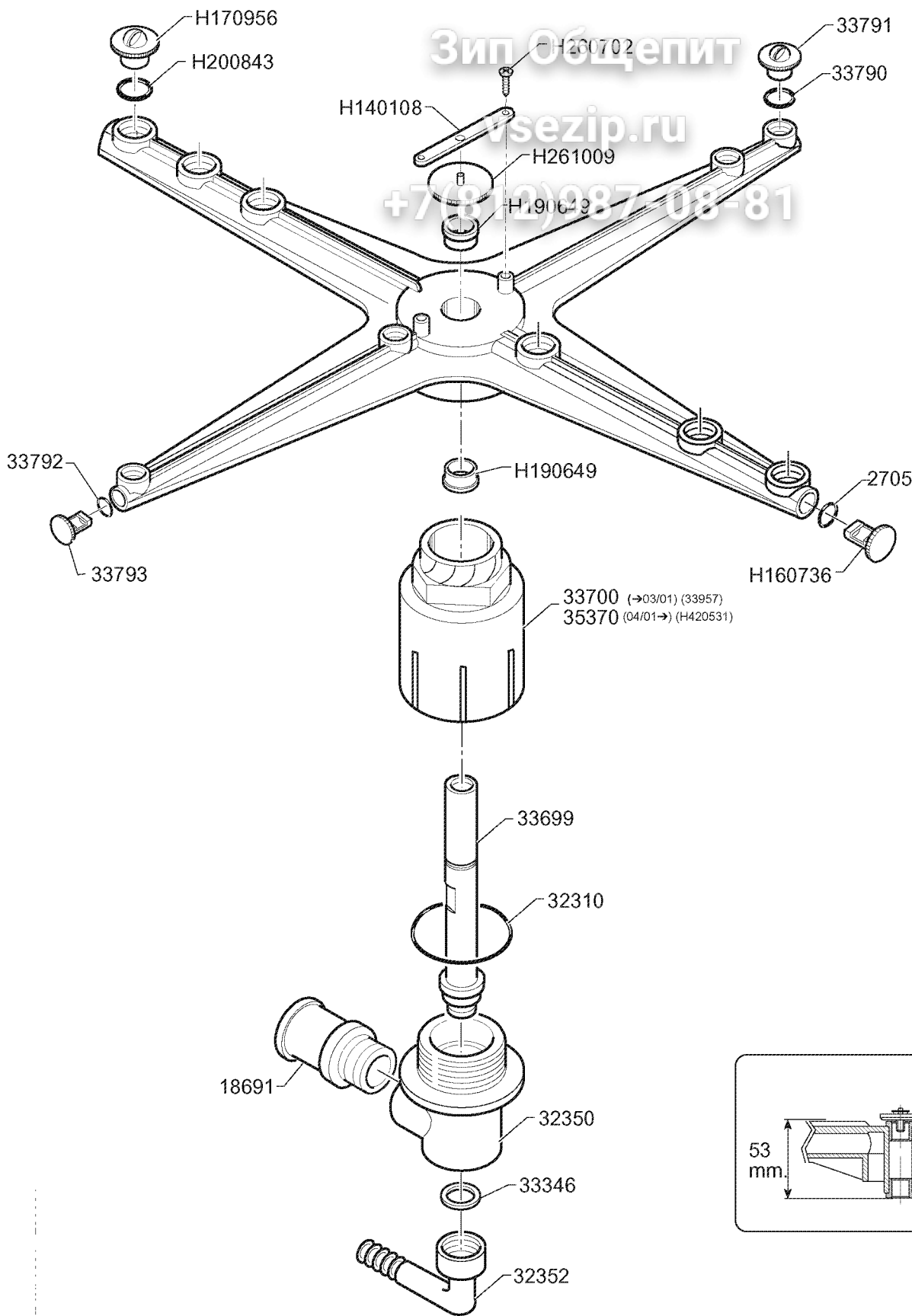
33247

32890

| |
|------|
| Ed. |
| Rev. |
| Data |



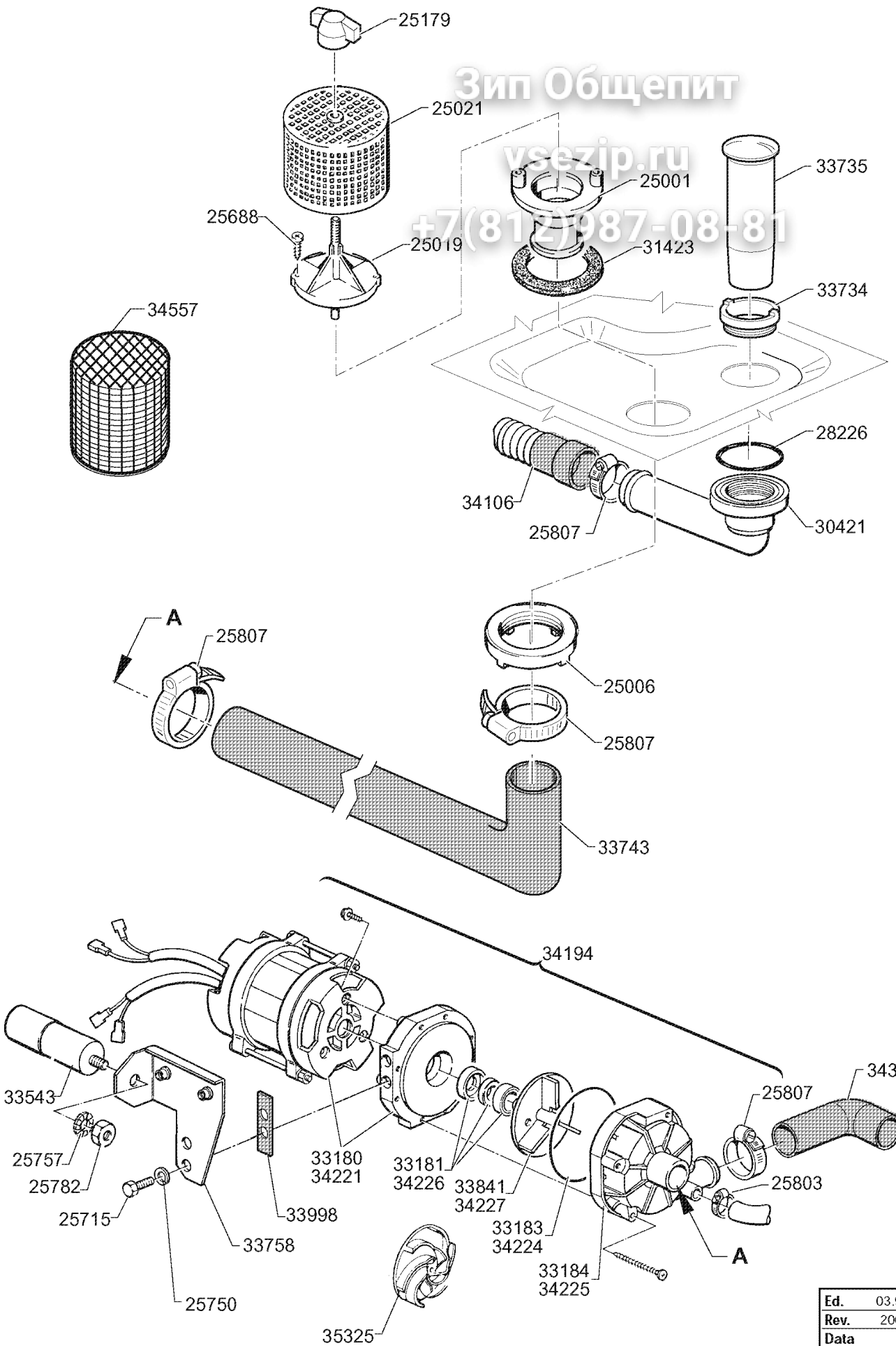
| | |
|------|--|
| Ed. | |
| Rev. | |
| Data | |



Зип Общепит

vsezip.ru

+7(812)987-08-81

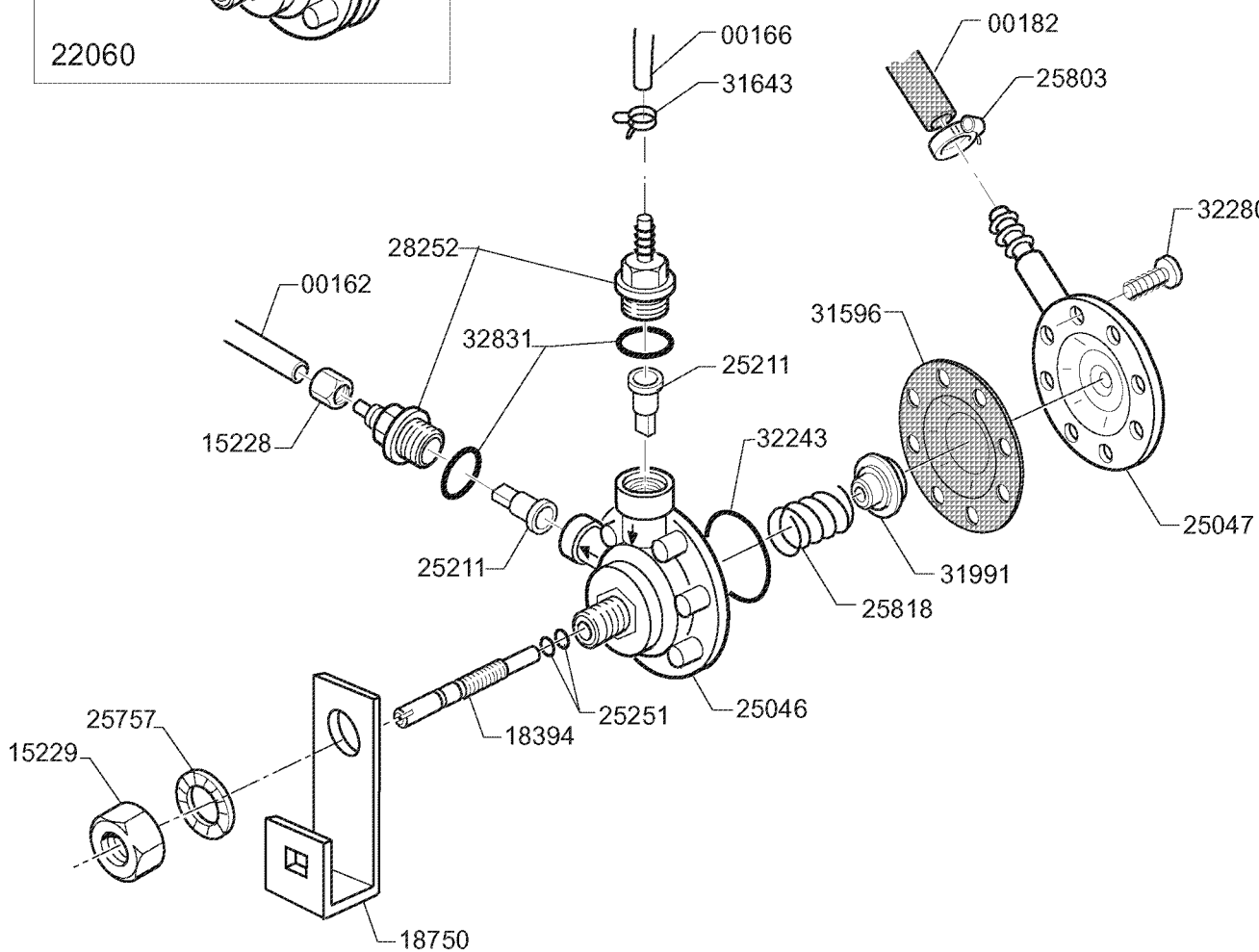
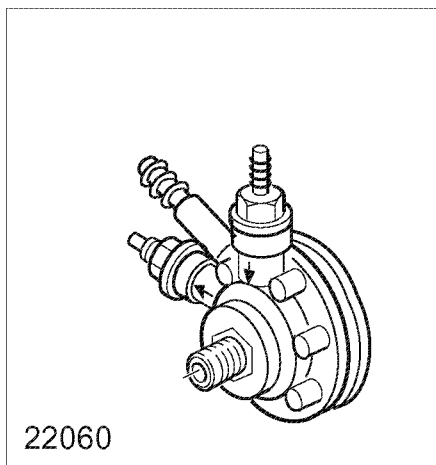


| | |
|------|-----|
| Ed. | 03. |
| Rev. | 20. |
| Data | |

Зип Общепит

vsezip.ru

+7(812)987-08-81



| |
|------|
| Ed. |
| Rev. |
| Data |

| Seite | Pos | Kredtor Artikel Nr. | IT | GB |
|-------|-----|---------------------|--------------------------------|--------------------------------------|
| 002 | | 33335 | PANNELLO CONTR.STS/APS/C 35-43 | INNER DOOR PANEL STS/APS/C 35-43 |
| 002 | | 34142 | TIRANTE PER PORTELLO 43-53 | ROD FOR DOOR 43-53 |
| 002 | | 34016 | TAPPO ESTREMITA'MANIGLIA DX | PLUG END HANDLE, RIGHT |
| 002 | | 34015 | TAPPO ESTREMITA'MANIGLIA SX | PLUG END HANDLE, LEFT |
| 002 | | 33948 | TERMOSTATO BIMETALLICO DOPPIO | BIMET. THERMOSTAT, DOUBLE CONTACT |
| 002 | | 33749 | FISSACAVO PA 277 | CABLE CLAMP PA 277 |
| 002 | | 33738 | PROTEZIONE PARTI ELETTR. C 43 | GUARD, ELECTR.APPL. C 43 |
| 002 | | 33179 | DADO IN GABBIETTA 4MA | ENCLOSED NUT 4MA |
| 002 | | 33336 | SCROCCHETTO A ROTELLA | ROLLER DOOR - A1C |
| 002 | | 33277 | VITE AUTOF. TSP 2,9 X 9,5 | SELF-TAPPING SCREW TSP 2,9 X 9,5 |
| 002 | | H200494 | GUARNIZ.TERMOST.BIM.DOPPIO | GASKET FOR DOUBLE-THERMOSTAT |
| 002 | | 30007 | GOMMINO BRACCETTO PORTELLO | RUBBER FOR DOOR STAY |
| 002 | | 32969 | MAGNETE X CONTATTO M350 AP | MAGNET FOR CONTACT M350 AP |
| 002 | | 34143 | PERNO PER TIRANTE PORTELLO | PIN FOR ROD DOOR |
| 002 | | 30438 | MOLLA X PERNO E PORTA | SPRING FOR PIN AND DOOR |
| 002 | | 33408 | GOMMA SPUGNA ADES. 8X4 NEOPREN | NEOPREN ADHESIVE GASKET 8 X 4 |
| 002 | | 34706 | VASCA-BASAMENTO CPL. C 35 | TANK BASE - CPL C 35 |
| 002 | | 18898 | PORTELLO STS/APS/C 35-43 | DOOR STS/APS/C 35-43 |
| 002 | | 29594 | DADO CIECO 4 MA | NUT BLIND 4 MA |
| 002 | | H331461 | PIASTRINA PER TIRAN. G65/BC | TIE ROD PLATE FOR G65/BC |
| 002 | | H190619 | FERMO TIRANTE PORTA +LF/FC+ | DOOR CATCH +LF/FC+ |
| 002 | | H160836 | ANELLO X PERNO SP08(COD 34143) | RING X PIN SP08(COD 34143) |
| 002 | | H160720 | TAPPO A SCATTO HEYCO D.8 | SNAP PLUG HEYCO D.8 |
| 002 | | H160838 | ANELLO PER PERNO PORTA | RING X DOOR PIN |
| 002 | | 35226 | GUIDA CESTELLO C/STS 43 - 2°S | GUIDE RACK C/STS 43 - 2°S |
| 002 | | 34153 | PANNELLO SUPERIORE C35 | UPPER PANEL C 35 |
| 002 | | 34705 | GUIDA CESTELLO C 35 | BASKET SLID.GUIDE C 35 |
| 002 | | 34678 | SQUADRETTA TERMOSTATO COTHERM | BRACKET, THERMOSTAT COTHERM |
| 002 | | 34673 | FRONTALINO VASCA C-CR 43 C 35 | TANK FRONT PANEL C-CR 43 C 35 |
| 002 | | 34534 | TERMOSTATO ASS.COTHERM 87-109° | THERMOSTAT ASS.COTHERM 87-109° |
| 002 | | 34470 | ANGOLARE GOMMA LABIRINTO VASCA | RUBBER PROTECT.CORNER, TANK LABYR. |
| 002 | | 34154 | PANNELLO POSTERIORE C35 | REAR PANEL C 35 |
| 002 | | 35304 | RONDELLA DENTELLATA DIAM.6 | TOOTHED WASHER DIA.6 |
| 002 | | 28699 | VITE TC 4 X 10 | CHEESE-HD SCREW TC 4 X 10 |
| 002 | | 25697 | VITE AUTOF.T/TCROCE 3,9X13 ZIG | SELF-TAPPING SCREW CHEESE D747H.ROSS |
| 002 | | 25266 | GUARNIZIONE PIATTA 18 X 10 X 2 | FLAT GASKET 18 X 10 X 2 |
| 002 | | 25209 | PIEDINI BASE ESAGONALE | FEET, HEXAG. BASE |
| 002 | | 22162/R | PORTELLO TAMB. 43 L400xH313 | DOOR ASSEMBLY CPL 43 L400xH313 |
| 002 | | 18935 | BRACCETTO PORTELLO DX 43/53 | DOOR STAY DX 43/53 |
| 002 | | 25700 | VITE TC 4 X 8 CON ZIGRINATURA | SCREW CHEESE-H. 4 X 8 KNURLED |
| 002 | | 18926 | GUIDA CEST.DX STS-APS 43 BRILL | GUIDE RACK DX STS-APS 43 RIN. AID |
| 002 | | 18348 | MANIGLIA X PORT. STS/APS/C 43 | HANDLE FOR DOOR STS/APS/C 43 |
| 002 | | 18342 | BOCCOLA SNODO BRACCETTI | BUSH FOR DOOR HINGE |
| 002 | | 18927 | GUIDA CEST.SX STS-APS 43 BRILL | GUIDE RACK SX STS-APS 43 RIN.AID |
| 002 | | 18145 | FERMA CESTELLO MM.25 | RACK STOPPER MM.25 |
| 002 | | 18069 | FERMO BRACCETTO PORTELLO | STOPPER DOOR STAY |
| 002 | | 15995 | BUSSOLA FISS. MANIGLIA STS | BUSH SPRING FIX. HANDLE STS |
| 002 | | 15568 | PERNO MOBILE X PORTELLO | MOBILE DOWEL FOR DOOR |
| 002 | | 18934 | BRACCETTO PORTELLO SX 43/53 | DOOR STAY SX 43/53 |
| 002 | | 25990 | VITE TC 5X9 SPEC.X SNODO BR.P. | FLAT HD SCREW 5X9 SPEC. FOR ARM TOGG |
| 002 | | 27155 | DADO IN PLASTICA 10 M | PLASTIC NUT10 M |
| 002 | | 25708 | VITE TE M 5 X 10 INOX | SCREW HEX.HD M 5 X 10 SS |
| 002 | | 26966 | TAPPO CHIUSURA FORO 10 DET. | HOLE CLOSING PLUG |
| 002 | | 26691 | VITE TS M 4 X 8 | SCREW TS M 4 X 8 |
| 002 | | 25831 | PIASTRINA X VITI AUTOF.LATI 7P | PLATE FOR SELFTHREAD. SCREW SIDES 7P |
| 002 | | 25791 | DADO AUTOBLOCCANTE 5 MA BASSO | SELF-LOCKING NUT 5 MA LOWER SIDE |
| 002 | | 25775 | DADO 6 MA | NUT 6 MA |
| 002 | | 25743 | RONDELLA PIANA DIAM. 4 | SPACER, FLAT, DIAM. 4 |
| 002 | | 25773 | DADO 4 MA INOX 18/8 | NUTS 4 MA SS 18/8 |
| 002 | | 25753 | RONDELLA DENTEL.DIAM.5 D.E. | TOOTHED SPACER.DIAM.5 D.E. |
| 002 | | 25752 | RONDELLA DENTEL.DIAM.4 D.E. | TOOTHED SPACER DIAM.4 D.E. |
| 002 | | 25745 | RONDELLA PIANA DIAM.6 | SPACER, FLAT, DIAM.6 |
| 002 | | 25744 | RONDELLA PIANA DIAM.5 | SPACER, FLAT, DIAM.5 |
| 002 | | 25715 | VITE TE M 6 X 16 INOX | SCREW HEX.HD M 6 X 16 SS |
| 002 | | 26751 | VITE 1/2 TONDA TC 6 X 12 | SCREW 1/2 FLAT ROUND HD 6 X 12 |
| 003 | | 34141 | CRUSCOTTO C 35 CPL SERIGRAFATO | CONTR.BOARD C35 CPL, PRINTED |
| 003 | | 34046 | CORDA IN NYLON X FERMOCASSETTO | NYLON ROPE DRAWER LIMIT STOP |

| Seite | Pos | Kredtor Artikel Nr. | IT | GB |
|-------|-----|---------------------|--------------------------------|--------------------------------------|
| 003 | | 32916 | TAPPO D 16 | PLUG D 16 |
| 003 | | 32892 | LAMPADA NEON"VERDE" FL-T FM6,3 | NEON LIGHT BULB "GREEN" FL-T FM6,3 |
| 003 | | 32890 | TASTO GRIGIO LUCIDO | BRIGHT GREY PUSH-BUTTON, |
| 003 | | 32872 | INTERRUTTORE CM UNIP. D | SWITCH SA SINGLE POLE D |
| 003 | | 34156 | PIASTRA APPARECCH.ELETTR. C 35 | PLATE ELECTR.APPLIANCES, C35 |
| 003 | | 35836 | PULSANTE SA DEVIATORE BIPOLARE | PUSHBUTTON, DOUBLE POLE SWITCH |
| 003 | | 32891 | SUPPORTO LAMPADA | LIGHT BULB HOLDER |
| 003 | | 34198 | GEMMA D16 "BLU" | COVER, D16 "BLUE" |
| 003 | | 34199 | CRUSCOTTO SPB 35 | NAMEPLATE CONTROLS SPB 35 |
| 003 | | H460285 | CART.ATTACCO ACQUA FREDDA | COLD WATER INLET PLATE |
| 003 | | 34236 | LAMPADA SIGNAL LUX BLU 230V | PILOT LIGHT, BLUE BULB 230V |
| 003 | | 34305 | PASSACAVO STEAB 6211/16/21 | CABLE RACEWAY STEAB 6211/16/21 |
| 003 | | 25744 | RONDELLA PIANA DIAM.5 | SPACER, FLAT, DIAM.5 |
| 003 | | 34402 | TIMER P26/15 4CR 120"-230V. | TIMER P26/15 4CR 120"-230V. |
| 003 | | H160121 | TUBO GOMMA NERA "5 X 9" | HOSE, BLACK RUBBER D. 5 X 9 |
| 003 | | H450134 | FASCET. A DUE FILI D.9,3/8,8 | ELASTIC HOSE CLIP 2-WIRE D.9,3/8,8 |
| 003 | | 32869 | GEMMA D16"ARANCIO" | CAP, 16"ORANGE" |
| 003 | | 34312 | RELE'T.A2S FA 16A 230V | T.RELAY A2S FA 16A 230V |
| 003 | | 25010 | TRAPPOLA ARIA | AIR TRAP |
| 003 | | 25773 | DADO 4 MA INOX 18/8 | NUTS 4 MA SS 18/8 |
| 003 | | 25011 | CALOTTA X TRAPPOLA ARIA | COVER X AIR TRAP |
| 003 | | 25239 | GUARN. OR PB 701 3112 x TRAPP. | GASKET OR PB 701 3112 x AIR TRAP |
| 003 | | 25263 | GUARN. PIATTA 38 X 25 X 2 TRAP | FLAT GASKET 38 X 25 X 2 A.TRAP |
| 003 | | 25697 | VITE AUTOF.T/TCROCE 3,9X13 ZIG | SELF-TAPPING SCREW CHEESE D747H.ROSS |
| 003 | | 25700 | VITE TC 4 X 8 CON ZIGRINATURA | SCREW CHEESE-H. 4 X 8 KNURLED |
| 003 | | 25757 | RONDELLA DENTEL. DIAM. 12 D.E. | TOOTHED SPACER DIAM. 12 D.E.D787 |
| 003 | | 25774 | DADO 5 MA | NUTS 5 MA |
| 003 | | 25775 | DADO 6 MA | NUT 6 MA |
| 003 | | 31828 | RONDELLA DENTEL.E. DIAM.3 | DENTED ROUND SPACER, EX 3 |
| 003 | | 25782 | DADO 8 MA | NUT 8 MA |
| 003 | | 25831 | PIASTRINA X VITI AUTOF.LATI 7P | PLATE FOR SELFTHREAD. SCREW SIDES 7P |
| 003 | | 28870 | LAMPADA SIGNAL-LUX FM6,3 230V. | PILOT LIGHT BULB -LUX FM6,3 230V. |
| 003 | | 29529 | PULSANTE UNIPOLARE NA | UNIPOLAR PUSHBUTTON NA |
| 003 | | 30517 | VITE TS 3 X 16 CROCE | BEVEL, CROSS-SLOT HD.SCREW TS 3 X 16 |
| 003 | | 31171 | PRESSOSTATO TAR. 28/12+-3 | PRESSURE SWITCH, RATED 28/12+-3 |
| 003 | | 31323 | PRESSACAVO PG 13,5 | CABLE FIXING PG 13,5 |
| 003 | | 31324 | FILTRO ANTIDISTURBO TIPO 5001 | NOISE FILTER, TYPE 5001 |
| 003 | | 32868 | GEMMA D16"VERDE" | CAP, 16"GREEN" |
| 003 | | 25777 | DADO 3 MA | NUTS 3 MA |
| 004 | | 34155 | RACCORDO ALIMENT. RISCIAQUO | FITTING, RINSE DELIVERY |
| 004 | | 34132 | REGOLATORE QTA' 8 LT. | CONTROL QTY 8 LT. |
| 004 | | 33817 | CONNETTORE A T X DOSAT. HOONV. | T-CONNECTOR FOR DISPENS. HOONV. |
| 004 | | 33748 | GHIERA BLOCC.MULINELLO RIS.SUP | LOCK NUT, UPP. RINSE ROTAT.ARM |
| 004 | | 33747 | PERNO RISCIAQUO SUPERIORE | PIN, UPPER RINSE |
| 004 | | 33276 | CONNETTORE A T-D11,5-COM180413 | T-SHAPED CONNECTOR 11,5-PART180413 |
| 004 | | 34264 | GETTO RISCIAQUO CON MOLLETTA | RINSE JET WITH SPRING |
| 004 | | 32174 | BRACCIO ASTA RISC.3/S | RINSE ARM3/S |
| 004 | | 34395/R | MULINELLO RISC CPL C/43-48-35 | ROT.RINSE ARM CPL C/43-48-35 |
| 004 | | 32175 | BRACCIO ASTA RISC.3/S | RINSE ARM3/S |
| 004 | | 34293 | MOLLETTA BLOCCAGGIO GETTO | JET LOCK SPRING |
| 004 | | 34360 | GUARNIZIONE OR 7 X 1 NBR 70 | GASKET OR 7 X 1 NBR 70 |
| 004 | | 34375 | PERNO RISC.SUP. C 35 (DIAM.16) | PIN, UPP RINSE. C 35 (DIAM.16) |
| 004 | | 34382 | GHIERA DIST. RISC. ROT. SX | DISTANCE WASHER RINSE LEFT TURNING |
| 004 | | 34385 | MULINELLO RISC. 43 ROT. S/ANT. | RINSE ARM 43 ROT. S/FRONT. |
| 004 | | 34767 | PORTAGOMMA OTTONE M.14 X 1 | BRASS HOSE FITTING M.14 X 1 |
| 004 | | 35230 | RESIS. VASCA 2000W-230V SAGOM. | HEAT.ELEM. TANK 2000W-230V S-SHAPE |
| 004 | | 30516 | TAPPINO FILETTATO 9 X 1 | THREADED PLUG 9 X 1 |
| 004 | | 25803 | FASCETTA STRINGITUBO 13-20 ABA | HOSE CLIP 13-20 ABA |
| 004 | | 34383 | BUSSOLA MOZZO MULINELLO RISC. | BUSH SPRING HUB, RINSE ROT.ARM |
| 004 | | 25235 | TUBO DI CARICO 3/4" 60 ATE | INLET HOSE 3/4" 60 ATE |
| 004 | | 00182 | TUBO GOMMA 11X19 CASER/15"BLU" | HOSE 11X19 CASER/15"BLUE" |
| 004 | | 17901 | SQUADRETTA ELETTR. VALVOLA | SOLENOID VALVE HOLDER |
| 004 | | 18683 | BOLLITORE C 35-C/CR/STS 43-48 | BOILER C 35-C/CR/STS 43-48 |
| 004 | | 20095 | ASTA RISC.SUP.PREM.T3 | RINSE ARM SUP.PREASS.T3 |
| 004 | | 26863 | VITE TE 6 X 8 INOX | HEX HD SCREW 6 X 8 STAINLESS S. |
| 004 | | 25110 | DADO BLOCC.ASTA RISC. M 12 | LOCK NUT, RINSE ARM M 12 |
| 004 | | 29928 | GUARNIZIONE OR 6150 | GASKET OR 6150 |

| Seite | Pos | Kreditor Artikel Nr. | IT | GB |
|-------|-----|----------------------|--------------------------------|---------------------------------------|
| 004 | | 25356 | RESISTENZA BOLLIT. 3000 W 230V | HEATING ELEM.BOILER 3000 W 230V |
| 004 | | 25750 | RONDELLA SPACCATA DIAM. 6 | SPACER, SPLIT ED, DIAM. 6 |
| 004 | | 25757 | RONDELLA DENTEL. DIAM. 12 D.E. | TOOTHED SPACER DIAM. 12 D.E.D787 |
| 004 | | 25781 | DADO 6 MA F/Z | NUTS 6 MA, THREADED/ZINCATED |
| 004 | | 26629 | ELETTROVALVOLA SING.3/4" T/N | SOLENOID VALVE, SING.3/4" T/N |
| 004 | | 26981 | FILTRO X ELETTROVALV.T/N | FILTER X SOLENOID V.T/N |
| 004 | | 28880 | MADREVITE | NUT SCREW |
| 004 | | 25700 | VITE TC 4 X 8 CON ZIGRINATURA | SCREW CHEESE-H. 4 X 8 KNURLED |
| 004 | | 25109 | MOZZO GIRANTE CPL | IMPPELLER CPL |
| 004 | | 29695 | GETTO RISCIAQUO "NERO" | RINSE NOZZLE "BLACK" |
| 005 | | H261009 | VITE FISS. MULINELLO TUB.ACC. | RETAIN.SCREW FOR WASH-RINSE ARM |
| 005 | | 35370 | COLONNINA INFERIORE C35 C43-48 | LOWER COLUMN C35 C43-48 |
| 005 | | H140108 | PIASTRINA X VITE FISS. MULIN. | PLATE F.CLAMP SCREW/WASH-RINSE ARM |
| 005 | | H160736 | TAPPO MULINELLO LAVAGGIO | PLUG, REVOLV. WASHARM |
| 005 | | H170956 | UGELLO LAVAGGIO "B" | WASH NOZZLE "B" |
| 005 | | H420531 | MULINELLO PL.MONTATO F20-BC Ç | PLASTIC WASH-RINSE ARM, ASSEMB. F20-B |
| 005 | | H190649 | BUSSOLA PER MULINELLO | BUSH FOR WASHARM |
| 005 | | H260702 | VITE AUT.4,2X13 INOX DIN 7971 | SELF-TAPPING SCREW 4,2X9,5 DIN7981 |
| 005 | | 33957 | MULINELLO PREM.LAV/RISC. 43/48 | PREASS WASH/RINSE ARM. 43/48 |
| 005 | | 32350 | GRUPPO CENTR.LAV-RISC.AP | WASH-RINSE SUPPORT BOTTOM HP |
| 005 | | H200843 | GUARN.OR 2X13X17 F.SER. | OR GASKET 2X13X17 END OF SERIES |
| 005 | | 27050 | GUARNIZIONE OR 2068 | GASKET OR 2068 |
| 005 | | 33793 | TAPPO RISC. MULINELLO | PLUG, RINSE ARM |
| 005 | | 33346 | DISCO GRUPPO CENTRALE | DISC FOR CENTRAL SUPPORT |
| 005 | | 18691 | RACCORDO PORTAGOMMA 1/2" | HOSE FITTING 1/2" |
| 005 | | 32310 | GUARNIZIONE OR 3200 | GASKET OR 3200 |
| 005 | | 32352 | PORTAGOMMA CURVO A 90° 1/4 F | HOSE FITTING, 90° ELBOW 1/4 F |
| 005 | | 33699 | ALBERO RISC. INF. CPL. | LOWER RINSE SHAFT.CPL. |
| 005 | | 33700 | BUSSOLA RIDUZIONE C 43-48 | BUSH SPRING REDUCTION C 43-48 |
| 005 | | 33790 | GUARNIZIONE OR 2X9,5X13,5 F.S. | GASKET OR 2X9,5X13,5 F.S. |
| 005 | | 33791 | UGELLO RISC. MULINELLO | RINSE JET, ROT.ARM |
| 005 | | 33792 | GUARNIZIONE OR 2,62X9,13X14,37 | GASKET OR 2,62X9,13X14,37 |
| 006 | | 34227 | GIRANTE FIR 0239315 | IMPELLER FIR 0239315 |
| 006 | | 33998 | GOMMA ANTIVIBRANTE PER POMPA | VIBR.PROOF RUBBER GASK. FOR PUMP |
| 006 | | 33734 | GHIERA PILETTA SCARICO C 43/48 | NUT FOR DRAIN C 43/48 |
| 006 | | 33735 | TUBO TROPPOPIENO C 43/48 | OVERFLOW TUBE C 43/48 |
| 006 | | 33743 | MANICOTTO ASPIR. C 43/48 | SUCTION SLEEVE. C 43/48 |
| 006 | | 33758 | PIASTRA POMPA C 43 | PLATE, PUMP C 43 |
| 006 | | 33841 | GIRANTE DIAM.73 3PALE M7SX | IMPELLER DIAM.73, 3-BLADE, M7SX |
| 006 | | 33184 | CHIOCCIOLA ELETTR. LGB (34225) | ELECTR.PUMP SCROLL, LGB (34225) |
| 006 | | 34106 | TUBO DI SCARICO DR. D.20X1500 | DRAIN TUBE DR. D.20X1500 |
| 006 | | 34194 | ELETTROPOMPA HP.0,3 ZF 171 | WASH PUMP HP.0,3 ZF 171 |
| 006 | | 34221 | CORPO POMPA FIR PM 4229320 | PUMP HOUSING FIR PM 4229320 |
| 006 | | 34224 | GUARNIZIONE OR O 79,8 SP.2,6 | GASKET OR O 79,8 SP.2,6 |
| 006 | | 34226 | TENUTA MECC.12-24-14/13-26-5,5 | SHAFT SEAL12-24-14/13-26-5,5 |
| 006 | | 33183 | GUARNIZIONE OR 75,87X2,62 LGB | GASKET OR 75,87X2,62 LGB |
| 006 | | 34330 | MANICOTTO MAND.LAV. C 43-48 | DELIV. SLEEVE WASH C 43-48 |
| 006 | | 34557 | FILTRO ASP.POMPA C-CR-43-48 | SUCTION FILTER PUMP C-CR-43-48 |
| 006 | | 35325 | GIRAN.LGB 0108 X ZF171(34194) | IMPELLER LGB 0108 X ZF171(34194) |
| 006 | | 34225 | COPERCHIO POMPA 2212303/HO | PUMP COVER 2212303/HO |
| 006 | | 25021 | FILTRO RETE PICCOLO | NET FILTER, SMALL SIZE |
| 006 | | 25001 | BUSSOLA FILTRO | BUSH, SPRING FILTER |
| 006 | | 33543 | CONDENSATORE 5 UF-450 V | CAPACITOR 5 UF-450 V |
| 006 | | 25019 | DISCO ROMPIGORGO 40-42-52-60 | ANTIVORTEX DISC 40-42-52-60 |
| 006 | | 33181 | TENUTA C3 (LGB)X POM.TIP.ZF140 | SHAFT SEAL C3 (LGB)FOR PUMP CODE 3292 |
| 006 | | 25179 | DADO AD ALETTE X ASTA RISC. | WING NUT, RINSE ARM |
| 006 | | 25688 | VITE AUTOFIL. TC 4,2X22 INOX | SELF-TAPPING SCREW CHEESE-H. 4,2X22 S |
| 006 | | 25715 | VITE TE M 6 X 16 INOX | SCREW HEX.HD M 6 X 16 SS |
| 006 | | 25750 | RONDELLA SPACCATA DIAM. 6 | SPACER, SPLITTED, DIAM. 6 |
| 006 | | 25782 | DADO 8 MA | NUT 8 MA |
| 006 | | 25803 | FASCETTA STRINGITUBO 13-20 ABA | HOSE CLIP 13-20 ABA |
| 006 | | 25807 | FASCETTA STRINGITUBO 26-38 ABA | HOSE CLIP 26-38 ABA |
| 006 | | 28226 | GUARNIZ.OR 3181 X PIPA SCARICO | GASKET OR 3181 FOR DRAIN LUG |
| 006 | | 30421 | RACCORDO DI SCARICO LUNGO | DRAIN FITTING, LONG |
| 006 | | 31423 | GUARNIZIONE PIATTA 65X51X3 | FLAT GASKET 65X51X3 |
| 006 | | 33180 | CORPO POMPA (32926) LGB | PUMP BODY (32926) LGB |
| 006 | | 25757 | RONDELLA DENTEL. DIAM. 12 D.E. | TOOTHED SPACER DIAM. 12 D.E.D787 |

| Seite | Pos | Kredtor Artikel Nr. | IT | GB |
|-------|-----|---------------------|--------------------------------|----------------------------------|
| 007 | | 25803 | FASCETTA STRINGITUBO 13-20 ABA | HOSE CLIP 13-20 ABA |
| 007 | | 25818 | MOLLA CILINDRICA (FILO) | CYLINDER SPRING (WIRE) |
| 007 | | 28252 | RACCORDO ASPIRAZ.DOSATORE | FITTING SUCTION DISPENSER |
| 007 | | 31596 | MEMBRANA DOSATORE | DIAPHRAGM, DISPENSER |
| 007 | | 31643 | FASCETTA A FILO 7,3-7,8 | HOSE CLIP 7,3-7,8 |
| 007 | | 31991 | GUIDA MOLLA DOSATORE | SPRING GUIDE FOR DISPENSER |
| 007 | | 32243 | GUARNIZIONE OR 3156 | GASKET OR 3156 |
| 007 | | 32831 | GUARNIZIONE OR 2062 | GASKET OR 2062 |
| 007 | | 18394 | VITE REGOLAZ.DOSATORE | SCREW CONTROL DISPENSER |
| 007 | | 32280 | VITE TRUCC.T/TCROCE 4 X 13 | OVAL HD. CROSS-SL. SCREW 4 X 13 |
| 007 | | 00182 | TUBO GOMMA 11X19 CASER/15"BLU" | HOSE 11X19 CASER/15"BLUE" |
| 007 | | 00166 | TUBETTO TRASP. 4x7 IN ROTOLO | ROLL TUBE TRANSP. 4X7 |
| 007 | | 15228 | GHIERA FISS.TUBETTO BRIL.RIL. | RING FOR RINSING SOLUTION TUBE |
| 007 | | 15229 | DADO FISS. DOSATORE | LOCK NUT AID DISPENSER |
| 007 | | 22060 | DOSATORE BRILL.PREM."GIALLO"1° | RINSE AID DISP.PREASS."YELLOW"1ø |
| 007 | | 00162 | ROTOLO TUBETTO 6X4 RILSAN | ROLL TUBE 6X4 RILSAN |
| 007 | | 25046 | CORPO DOSATORE SUPER. | UPPER DISPENSER ASSEMBLY |
| 007 | | 25047 | CORPO DOSATORE INFER. | LOWER DISPENSER ASSEMBLY |
| 007 | | 25211 | VALVOLINA MAND.-ASPIRAZ.DOSAT. | NON RETURN VALVE RINSE AID DISP. |
| 007 | | 18750 | SQUADRETTA DOSATORE BRILL. | SQUARE, RINSE AGENT DISPENSER |
| 007 | | 25251 | GUARNIZIONE OR 2012 | GASKET OR 2012 |