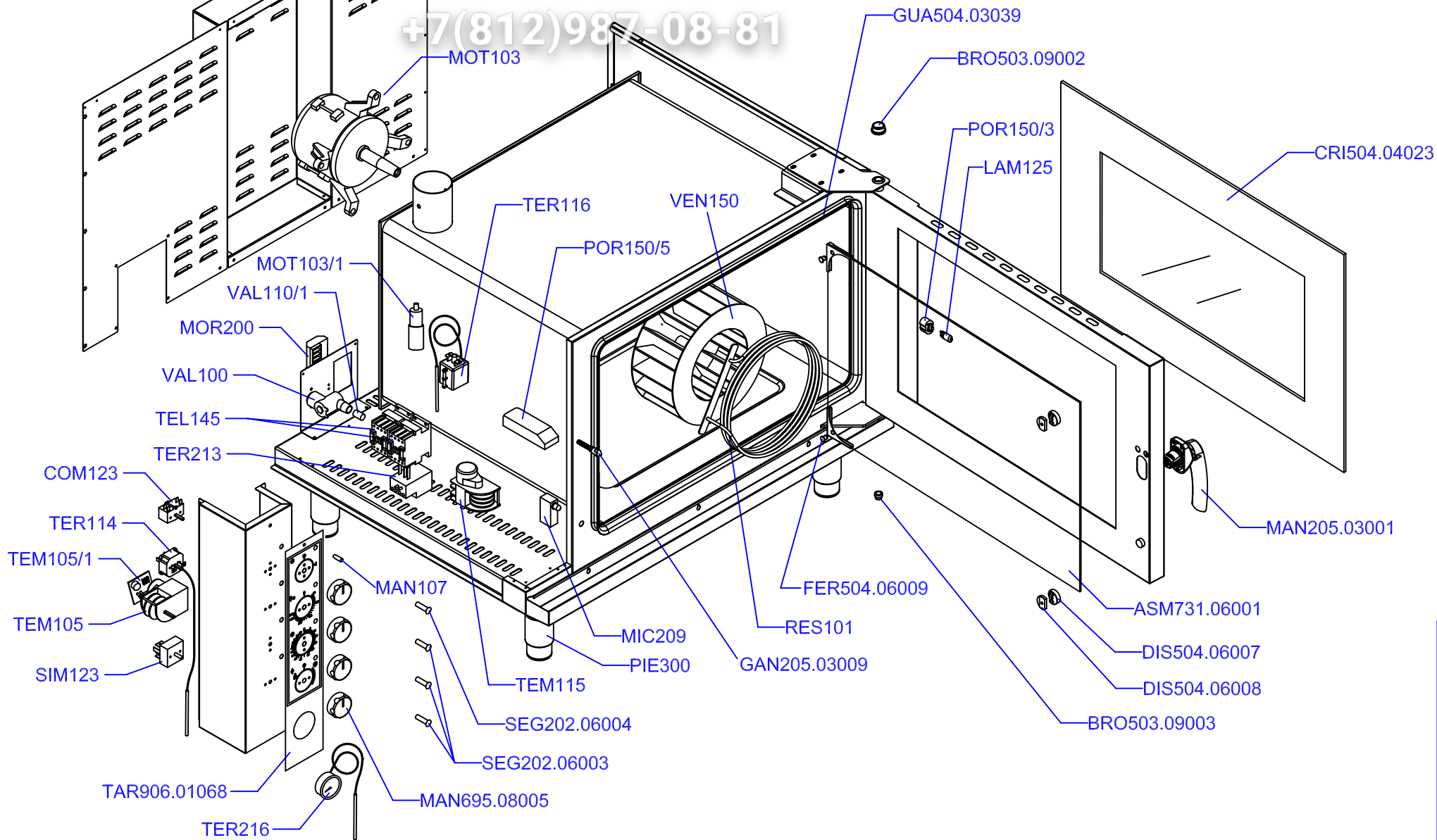


Зип Общепит

vsezip.ru

+7(812)987-08-81

BAKE500M



IT

GB

FR

DE

ES

ASM731.06001
BRO503.09002
BRO503.09003
COM123
CRI504.04023
DIS504.06007
DIS504.06008
FER504.06009
GAN205.03009
GUA504.03039
LAM125
MAN107
MAN205.03001
MAN695.08005
MIC209
MOR200
MOT103
MOT103/1
PIE300
POR150/3
POR150/5
RES101
SEG202.06004
SEG202.06003
SIM123
TAR906.01068
TEL145
TEM105
TEM105/1
TEM115
TER114
TER116
TER213
TER216
VAL100
VAL110/1
VEN150

VETRO INTERNO
BRONZINA CERNIERA SUPERIORE
BRONZINA CERNIERA INFERIORE
COMMUTATORE GENERALE
VETRO ESTERNO
BLOCCA VETRO
BLOCCA VETRO RUOTANTE
BLOCCA VETRO INTERNO
GANCIO MANIGLIA
GUARNIZIONE CELLA
LAMPADINA ALOGENA
MANOPOLA
MANIGLIA
MANOPOLA COMANDI
MICRO-INTERRUPTORE PORTA
MORSETTIERA
MOTORE VENTOLA
CONDENSATORE
PIEDINO
PORTALAMPADA
TRASFORMATORE
RESISTENZA
SPIA VERDE
SPIA ARANCIO
REGOLATORE D'ENERGIA
TARGA ADESIVA COMANDI
CONTATTORE
TEMPORIZZATORE
AVVISATORE ACUSTICO
INVERTITORE DI MARCIA VENTOLA
THERMOSTATO COTTURA
THERMOSTATO DI SICUREZZA
RELÉ
TERMOMETRO
ELETTROVALVOLA UMIDIFICATORE
RIDUTTORE DI PORTATA
VENTOLA

INTERNAL GLASS
HINGE BUSH
HINGE BUSH
COMMUTATOR
EXTERNAL GLASS
BLOCKS GLASS
REVOLVING BLOCKING GLASS
BLOCKS INNER GLASS
HANDLE NIB
DOOR SEAL
HALOGEN LAMP
KNOB
HANDLE
KNOB
MICROSWITCH
SUPPLY TERMINAL BOARD
MOTOR FAN
CAPACITOR
ADJUSTABLE FOOT
LAMPHOLDER
TRANSFORMER
RESISTOR
GREEN INDICATOR
ORANGE INDICATOR
HUMIDITY REGULATORS
SCREEN PRINTED PLATTE
CONTACTOR
TIMER
BUZER
FAN TIMER
COOKER THERMOSTAT
SAFETY THERMOSTAT
RELAY
THERMOMETER
SOLENOID VALVE
FLOW-RATE REDUCTION UNIT
FAN

VITRE INTERNE
COUSSINET CHARNIÈRE
COUSSINET CHARNIÈRE
COMMUTATEUR
VITRE EXTERNE
BLOQUE VERRE
BLOCAGE TOURNANT DU VERRE
BLOQUE VERRE INTERNE
MENTONNET DE LA MANETTE
JOINT PORTE INTERNE
LAMPE HALOGÈNE
MANETTE
POIGNEE'
MANETTE
MICRO-INTERRUPTEUR
BORNE ALIMENTATION
MOTEUR
CONDENSATEUR
PIED RÉGABLE
PORTE-LAMPE
TRANSFORMATEUR
RESISTANCE
SIGNAL VERT
SIGNAL ORANGE
REGULATEUR HUMIDIFICATION
PLAQUE SÉRIGRAPHIÉE
TÉLÉRUPTEUR
TEMPORISATEUR
AVERTISSEUR ACOUSTIQUE
TEMPORISATEUR
THERMOSTAT DE CUISSON
THERMOSTAT DE SÉCURITÉ
RELAIS
THERMOMÈTRE
ELECTROSOUPAPE
RÉDUCTEUR DE DÉBIT
VENTILATEUR

INNENGLAS
SCHARNIER BUCHSE
SCHARNIER BUCHSE
UMSCHALTER
AUSSENGLAS
BLOCK-GLAS
DREHBLOCK-GLAS
BLOCK-INNENGLAS
HANDGRIFF-SPITZE
DICHTUNG INNENTÜR
HALOGENLAMPE
BEDIENKNOPF
GRIFF
BEDIENKNOPF
MIKROSCHALTER
VERSORGUNGSKLEMMENLEISTE
MOTOR
KONDENSATOR
STELLFUSS
LAMPENFASSUNG
TRANSFORMATOR
WIDERSTAND
MELDER GRÜN
MELDER ORANGE
BASCHWANUNGREGULATION
SIEBDRUCKSCHILD
SCHÜTZ
ZEITSCHALTUHR
SUMMER
ZEITSCHALTUHR
GARTHERMOSTAT
SICHERHEITSTHERMOSTAT
HILFSRELAIS
THERMOMETER
MAGNETVENTIL
STROMVENTIL
LÜFTERRAD

CRISTAL INTERIO
CASQUILLO BISAGRA
CASQUILLO BISAGRA
CONMUTADOR
CRISTAL EXTERIOR
BLOQUEA VIDRIO
BLOQUEO GIRATORIO DEL VIDRIO
BLOQUEA EL CRISTAL INTERNO
NARIZ
BURLETE INTERIOR PUERTA
LAMPARA ALOGENA
MANOPLA
TIRADOR
MANOPLA
MICRO INTERRUPTOR
CAJA DE BORNES ALIMENTACIÓN
MOTOR
CONDENSATOR
PATA CON REGULACIÓN
PORTA-LÁMPARA
TRANSFORMADOR
RESISTENCIA
SEÑAL VERDE
SEÑAL NARANJA
REGULATION UMIDIFICACION
PLACA SERIGRAFADA
TELÉRUPTOR
TEMPORIZADOR
AVISO ACÚSTICO
TEMPORIZADOR
THERMOSTATO DE COCCIÓN
THERMOSTATO DE SEGURIDAD
RELE
TERMÓMETRO
ELECTROVÁLVULA
REDUCTOR DE ALCANCE
VENTILADOR