

# Vita-Pro® and Vita-Prep®

**NOTE:** Vita-Mix blenders come in several similar styles. Please be sure you are following the parts list for your blender model.

Зип Общепит

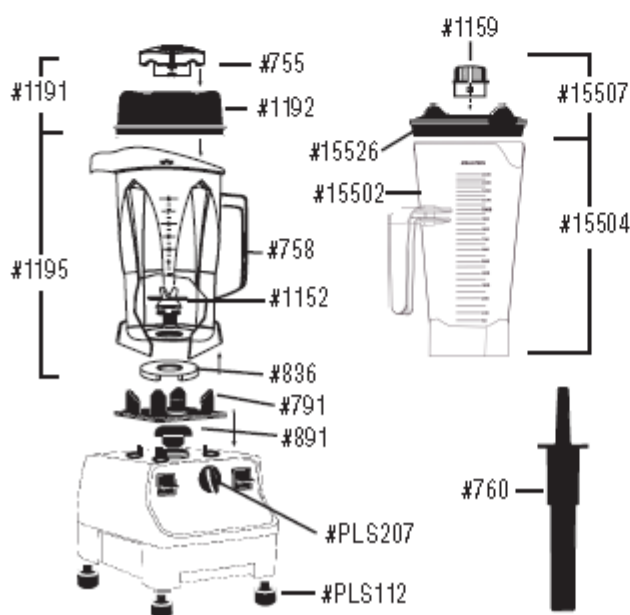
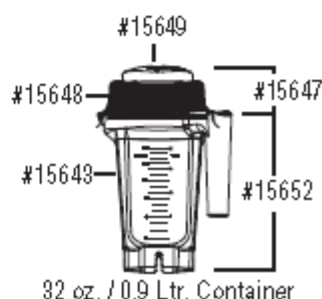
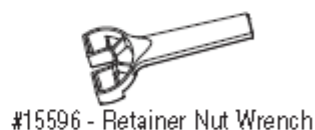
ysezip.ru

(718) 987-08

Item #	Part
755	Lid plug for 64 oz. / 2.0 Ltr. polycarbonate container
1192	Lid only (no plug) for 64 oz. / 2.0 Ltr. polycarbonate container
1191	Lid assembly for 64 oz. / 2.0 Ltr. polycarbonate container
1195	64 oz. / 2.0 Ltr. polycarbonate container, wet blade & lid assemblies
758	64 oz. / 2.0 Ltr. polycarbonate container only
1159	Lid plug for 48 oz. / 1.4 Ltr. polycarbonate/stackable container
15526	Lid only (no plug) for 48 oz. / 1.4 Ltr. polycarbonate/stackable container
15507	Lid assembly for 48 oz. / 1.4 Ltr. polycarbonate/stackable container
15504	48 oz. / 1.4 Ltr. polycarbonate/stackable container, wet blade & lid assemblies
15502	48 oz. / 1.4 Ltr. polycarbonate/stackable container only
1152	Blade agitator assembly (wet blade)
836	Heavy-duty retainer nut
791	Sound-reducing centering pad
891	Drive socket
PLS207	Variable speed control knob / timer control knob
760	Accelerator Tool
PLS112	Rubber Feet
XDM034	Use and Care manual (not shown)

**NOTE:** Other than the drive socket, blade assembly and retainer nut, this unit is not user serviceable.

## Items Sold Separately:

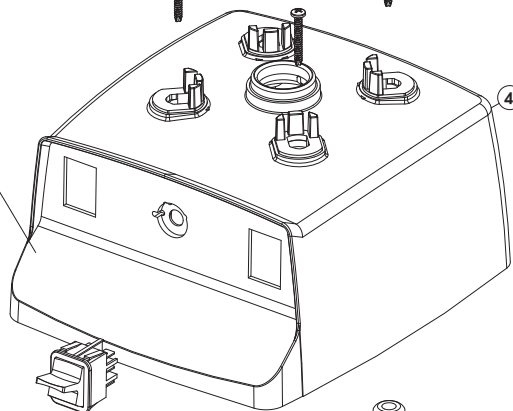
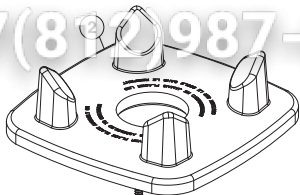


# Vita-Prep® 3, Vita-Prep® & Vita-Pro®

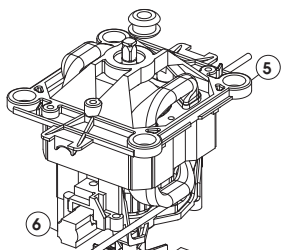


vsezip.ru

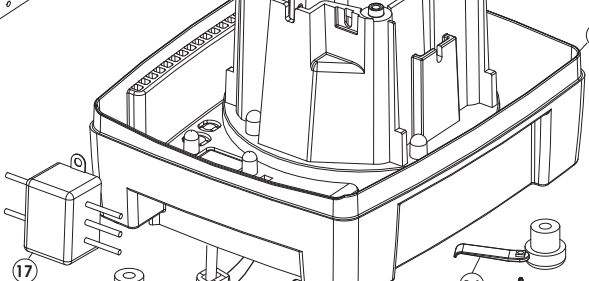
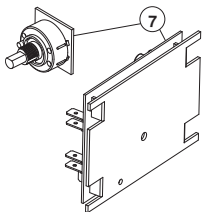
+7(812)987-08



11



6



17

# Vita-Prep® 3, Vita-Prep®, & Vita-Pro® Parts List 120V, 120V (Taiwan), 120V EMC (Taiwan)

NO.	NEW PART NO.	OLD PART NO.	DESCRIPTION
1	891	891	Drive Socket Assembly
1	15546	15546	Drive Socket Assembly (Set of 2)
1	15547	15547	Drive Socket Assembly (Set of 5)
2	791	791	Centering Pad
3	15726	FST102	Upper Shell Retainer Screws (4)
4	15757	PLS107	Upper Base Shell - Grey
4	15728	PLS111	Upper Base Shell - Black
5	15711	ASY216	Vita-Prep 3 Motor Assembly
5	15710	ASY209	Vita-Prep 3 Motor Assembly
5	15674	ASY154	Variable Speed Motor Assembly
5	15676	ASY143	Variable Speed Motor Assembly*
5	15670	ASY131	Variable Speed Motor Assembly
6	764	764	Brush Replacement Kit
7	15763	CTL111	Speed Control Circuit Board & Rotary Switch
7	15762	CTL103	Speed Control Circuit Board & Rotary Switch
8	15732	PLS207	Control Knob
9	15758	CTL104	On/Off Switch
10	15764	CTL105	High/Low Switch - Variable
11	LBL543	LBL543	Vita-Prep 3 Label
11	LBL219	LBL219	Vita-Prep Label
11	LBL119	LBL119	Vita-Pro Label
12	824	824	Thermal Protector Kit
NOT SHOWN	15515	15515	Thermal Switch Assembly Kit*
13	15760	ASY101	Base Frame Assembly
14	793	793	Cord Retainer Clip & Screw
NOT SHOWN	15759	CTL109	Power Resistor*
NOT SHOWN	15761	CTL112	Circuit Breaker*
15	15735	CTL151	Circuit Breaker
16	By Country	By Country	Power Cord
16	15756	WIR100	Power Cord
16	15737	PLG117	Power Cord
16	15738	PLG133	Power Cord
17	15739	CTL509	EMI Filter