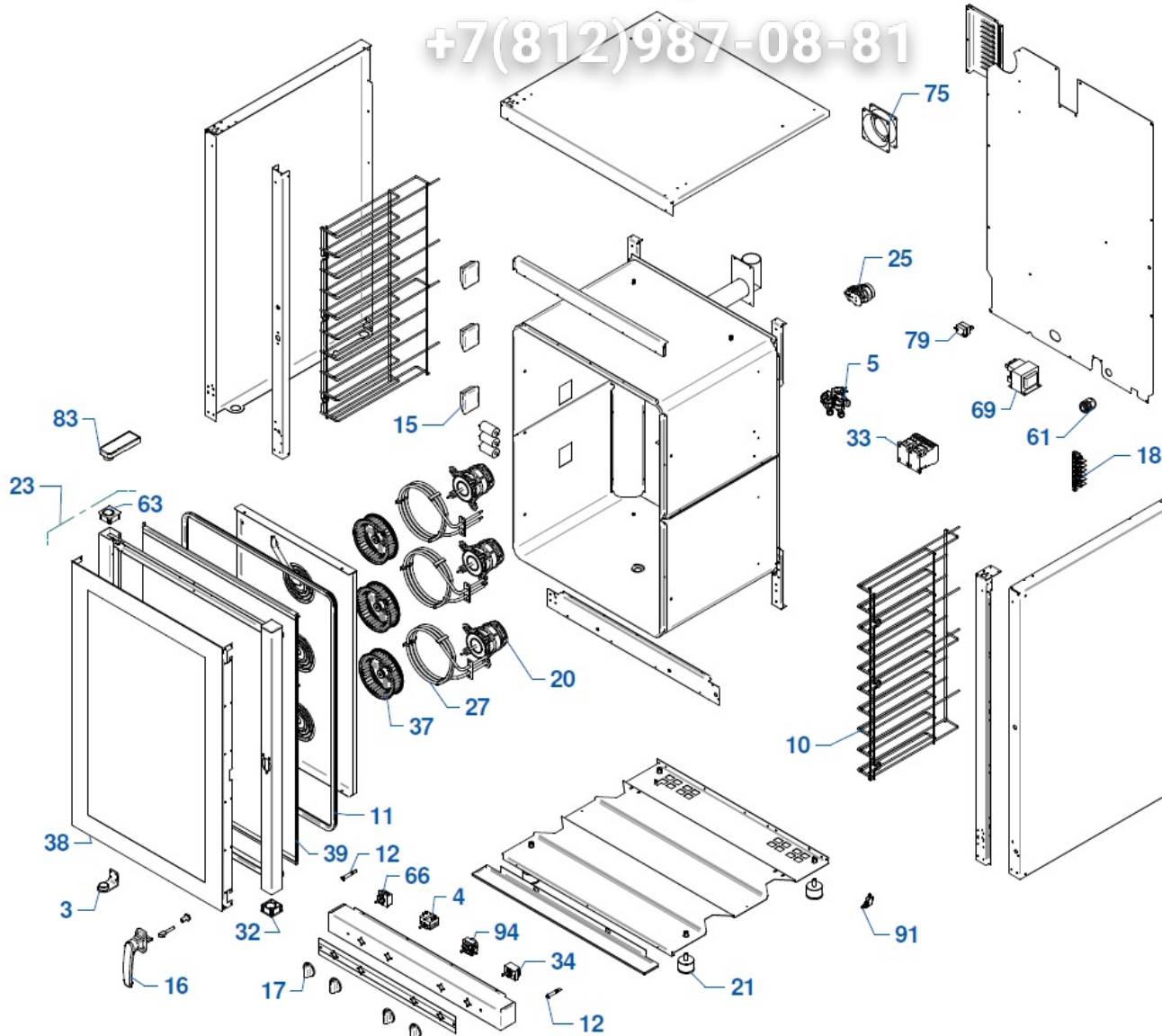


PF8410_PI1

- COMBI OVEN 10 TRAYS 600X400 - GN 1/1 GALILEI MECHANICAL

(print on 03/02/2021)

+7(812)987-08-81



| N | ITEM | N | ITEM |
|----|----------|---|------|
| 3 | CER30081 | | |
| 4 | COM30005 | | |
| 5 | ELE30006 | | |
| 10 | GRI30211 | | |
| 10 | GRI30212 | | |
| 11 | GUA30015 | | |
| 12 | IND30002 | | |
| 15 | LAM00004 | | |
| 16 | MAG30061 | | |
| 17 | MAN30014 | | |
| 18 | MOR30004 | | |
| 20 | MOT30038 | | |
| 21 | PIE30009 | | |
| 23 | POR00337 | | |
| 25 | PRG30015 | | |
| 27 | RES30008 | | |
| 32 | TAP30032 | | |
| 33 | TEL30010 | | |
| 34 | TER30016 | | |
| 37 | VEN30005 | | |
| 38 | VET00337 | | |
| 39 | VET00326 | | |
| 61 | PPC30001 | | |
| 63 | TAP30030 | | |
| 66 | TER30004 | | |
| 69 | TRM30001 | | |
| 75 | MOT30009 | | |
| 79 | TER30013 | | |
| 83 | CER30032 | | |
| 83 | TAP30031 | | |
| 91 | PUL30006 | | |
| 94 | PRG30016 | | |

PF8410_PI1

- COMBI OVEN 10 TRAYS 600X400 - GN 1/1 GALILEI MECHANICAL



| N | KIT | DESCRIPTION (ENG) |
|----|----------|--------------------------------------------------------|
| 3 | KCR00081 | HINGE KIT CER30081 |
| 4 | KCM00005 | SWITCH KIT COM30005 |
| 5 | KEE00006 | TRIPLE ELECTROVALVE KIT ELE30006 |
| 10 | KGI00211 | LATERAL TRAYS SUPPORT KIT 10T INOX GRI30211 + GRI30212 |
| 10 | KGI00211 | LATERAL TRAYS SUPPORT KIT 10T INOX GRI30211 + GRI30212 |
| 11 | KGA00015 | DOOR GASKET KIT GUA30015 X 5.5 MT |
| 11 | KGA10015 | DOOR GASKET KIT GUA30015 x 45 MT |
| 12 | KID00002 | LIGHT PILOT KIT IND30002 |
| 15 | KLM00004 | COMPLETE LAMP KIT 2 x LAM00004 |
| 15 | KLM01004 | COMPLETE LAMP KIT 1 x LAM00004 |
| 16 | KMG00061 | COMPLETE HANDLE DOOR KIT MAG30061 |
| 17 | KMN00014 | KNOB KIT 3 X MAN30014 |
| 18 | KMR00001 | TERMINAL BLOCK KIT 7 POLES MOR30004 |
| 20 | KMT00038 | MOTOR KIT MOT30038 |
| 21 | KPE00009 | FEET KIT 4 X PIE30009 |
| 23 | KPR00337 | COMPLETE DOOR KIT POR00337 |
| 25 | KPG00015 | REVERSE KIT PRG30015 |
| 25 | KPG10015 | REVERSE KIT 5 X PRG30005 |
| 27 | KRS00008 | HEATING ELEMENT KIT RES30008 |
| 32 | KTP00030 | HINGE CAPS KIT 2 X TAP30030+ 2 X TAP30032 |
| 33 | KTL00010 | CONTACTORS KIT 2 X TEL30010 |
| 34 | KTR00016 | TEMPERATURE THERMOSTAT KIT TER30016 |
| 37 | KVN00005 | FAN KIT VEN30005 |
| 38 | KVT00337 | EXTERNAL GLASS DOOR KIT VET00337 |
| 39 | KVT00326 | INNER GLASS DOOR KIT VET00326 |
| 61 | KPC00001 | GLAND KIT PPC30001 |
| 63 | KTP00030 | HINGE CAPS KIT 2 X TAP30030+ 2 X TAP30032 |
| 66 | KTR00004 | HUMIDIFICATION REGULATOR KIT TER30004 |
| 69 | KTM00001 | AUTOTRANSFORMER KIT TRM30001 |
| 75 | KMT00009 | MOTOR KIT MOT30009 |
| 79 | KTR00013 | SAFETY THERMOSTAT KIT TER30013 |
| 83 | KCR00032 | HINGE KIT CER30032+TAP30031 |
| 83 | KCR00032 | HINGE KIT CER30032+TAP30031 |
| 91 | KPL00006 | SWITCH KIT PUL30006 |
| 94 | KPG00016 | TIMER KIT PRG30016 |

| N | ITEM | DESCRIPTION (ENG) |
|---|------|-------------------|
|---|------|-------------------|