

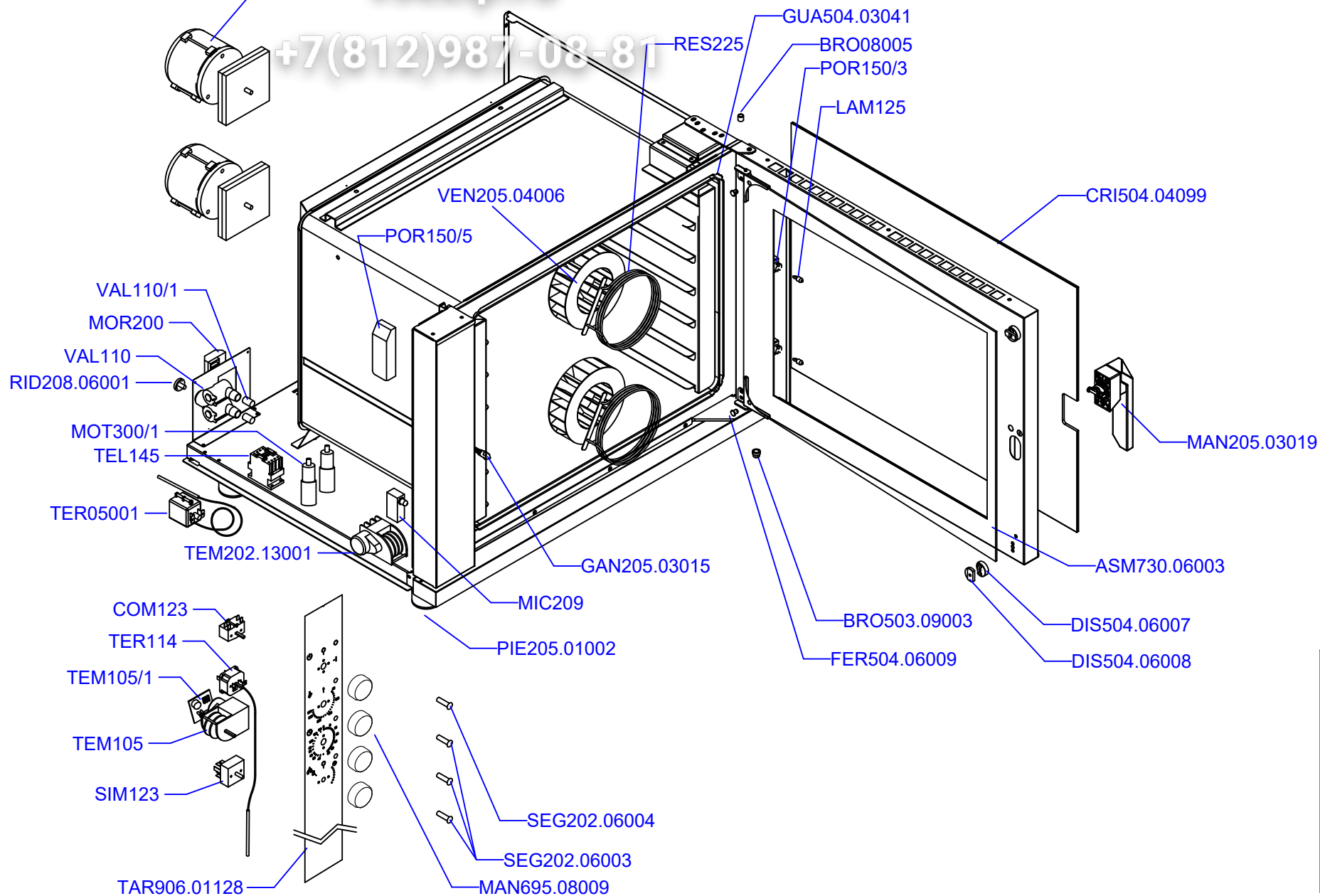
Зип Ощепит

KITMOT204.01002

vsezip.ru

+7(812)987-08-81

# MEGA BAKERY 640M



XXXXXX - .....

### IT

ASM730.06003  
BRO08005  
BRO503.09003  
COM123  
CRI504.04099  
DIS504.06007  
DIS504.06008  
FER504.06009  
GAN205.03015  
GUA504.03041  
KITMOT204.01002  
LAM125  
MAN205.03019  
MAN695.08009  
MIC209  
MOR200  
MOT300/1  
PIE205.01002  
POR150/3  
POR150/5  
RES225  
RID208.06001  
SEG202.06004  
SEG202.06003  
SIM123  
TAR906.01128  
TEL145  
TEM105  
TEM105/1  
TEM202.13001  
TER05001  
TER114  
VAL110  
VAL110/1  
VEN205.04006

VETRO INTERNO  
BRONZINA CERNIERA SUPERIORE  
BRONZINA CERNIERA INFERIORE  
COMMUTATORE GENERALE  
VETRO ESTERNO  
BLOCCA VETRO  
BLOCCA VETRO RUOTANTE  
BLOCCA VETRO INTERNO  
GANCIO MANIGLIA  
GUARNIZIONE CELLA  
MOTORE VENTOLA  
LAMPADINA ALOGENA  
MANIGLIA  
MANOPOLA COMANDI  
MICRO-INTERRUTTORE PORTA  
MORSETTIERA  
CONDENSATORE  
PIEDINO  
PORTALAMPADA  
TRASFORMATORE  
RESISTENZA  
RIDUTTORE DI PORTATA  
SPIA VERDE  
SPIA ARANCIO  
REGOLATORE D'ENERGIA  
TARGA ADESIVA COMANDI  
CONTATTORE  
TEMPORIZZATORE  
AVVISATORE ACUSTICO  
INVERTITORE DI MARCIA VENTOLA  
THERMOSTATO DI SICUREZZA  
THERMOSTATO COTTURA  
ELETTROVALVOLA UMIDIFICATORE  
RIDUTTORE DI PORTATA  
VENTOLA

### GB

INTERNAL GLASS  
HINGE BUSH  
HINGE BUSH  
COMMUTATOR  
EXTERNAL GLASS  
BLOCKS GLASS  
REVOLVING BLOCKING GLASS  
BLOCKS INNER GLASS  
HANDLE NIB  
DOOR SEAL  
MOTOR FAN  
HALOGEN LAMP  
HANDLE  
KNOB  
MICROSWITCH  
SUPPLY TERMINAL BOARD  
CAPACITOR  
ADJUSTABLE FOOT  
LAMPHOLDER  
TRANSFORMER  
RESISTOR  
FLOW-RATE REDUCTION UNIT  
GREEN INDICATOR  
ORANGE INDICATOR  
HUMIDITY REGULATORS  
SCREEN PRINTED PLATTE  
CONTACTOR  
TIMER  
BUZER  
FAN TIMER  
SAFETY THERMOSTAT  
COOKER THERMOSTAT  
SOLENOID VALVE  
FLOW-RATE REDUCTION UNIT  
FAN

### FR

VITRE INTERNE  
COUSSINET CHARNIÈRE  
COUSSINET CHARNIÈRE  
COMMUTEUR  
VITRE EXTERNE  
BLOQUE VERRE  
BLOCAGE TOURNANT DU VERRE  
BLOQUE VERRE INTERNE  
MENTONNET DE LA MANETTE  
JOINT PORTE INTERNE  
MOTEUR  
LAMPE HALOGÈNE  
POIGNEE'  
MANETTE  
MICRO-INTERRUPTEUR  
BORNE ALIMENTATION  
CONDENSATEUR  
PIED RÉGABLE  
PORTE-LAMPE  
TRANSFORMATEUR  
RESISTANCE  
RÉDUCTEUR DE DÉBIT  
SIGNAL VERT  
SIGNAL ORANGE  
REGULATEUR HUMIDIFICATION  
PLAQUE SÉRIGRAPHIÉE  
TÉLÉRUPTEUR  
TEMPORISATEUR  
AVERTISSEUR ACOUSTIQUE  
TEMPORISATEUR  
THERMOSTAT DE SÉCURITÉ  
THERMOSTAT DE CUISSON  
ELECTROSOUPAPE  
RÉDUCTEUR DE DÉBIT  
VENTILATEUR

### DE

INNENGLAS  
SCHARNIER BUCHSE  
SCHARNIER BUCHSE  
UMSCHALTER  
AUSSENGLAS  
BLOCK-GLAS  
DREHBLOCK-GLAS  
BLOCK-INNENGLAS  
HANDGRIFF-SPITZE  
DICHTUNG INNENTÜR  
MOTOR  
HALOGENLAMPE  
GRIFF  
BEDIENKNOPF  
MIKROSCHALTER  
VERSORGUNGSKLEMMENLEISTE  
KONDENSATOR  
STELLFÜSS  
LAMPENFASSUNG  
TRANSFORMATOR  
WIDERSTAND  
STROMVENTIL  
MELDER GRÜN  
MELDER ORANGE  
BASCHWANUNGREGULATION  
SIEBDRUCKSCHILD  
SCHÜTZ  
ZEITSCHALTUHR  
SUMMER  
ZEITSCHALTUHR  
SICHERHEITSTHERMOSTAT  
GARTHERMOSTAT  
MAGNETVENTI  
STROMVENTIL  
LÜFTERRAD

### ES

CRISTAL INTERIO  
CASQUILLO BISAGRA  
CASQUILLO BISAGRA  
CONMUTADOR  
CRISTAL EXTERIOR  
BLOQUEA VIDRIO  
BLOQUEO GIRATORIO DEL VIDRIO  
BLOQUEA EL CRISTAL INTERNO  
NARIZ  
BURLETE INTERIOR PUERTA  
MOTOR  
LAMPARA ALOGENA  
TIRADOR  
MANOPLA  
MICRO INTERRUPTOR  
CAJA DE BORNES ALIMENTACIÓN  
CONDENSATOR  
PATA CON REGULACIÓN  
PORTA-LÁMPARA  
TRANSFORMADOR  
RESISTENCIA  
REDUCTOR DE ALCANCE  
SEÑAL VERDE  
SEÑAL NARANJA  
REGULATION UMIDIFICACION  
PLACA SERIGRAFADA  
TELERUPTOR  
TEMPORIZADOR  
AVISO ACÚSTICO  
TEMPORIZADOR  
THERMOSTATO DE SEGURIDAD  
THERMOSTATO DE COCCIÓN  
ELECTROVÁLVULA  
REDUCTOR DE ALCANCE  
VENTILADOR