

DESPIECE TÉCNICO TECHNICAL PARTS

Lavavajillas
Dishwasher

MODELOS

CO-500 / DD / B / B DD
CO-501 / DD / B / B DD / SOFT

Diciembre 2014 December

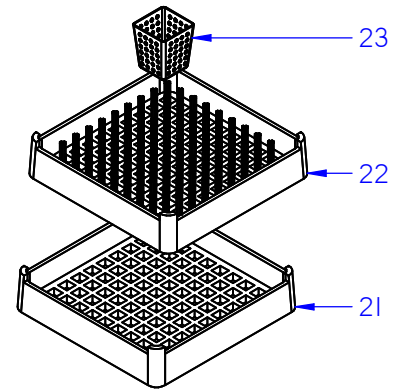
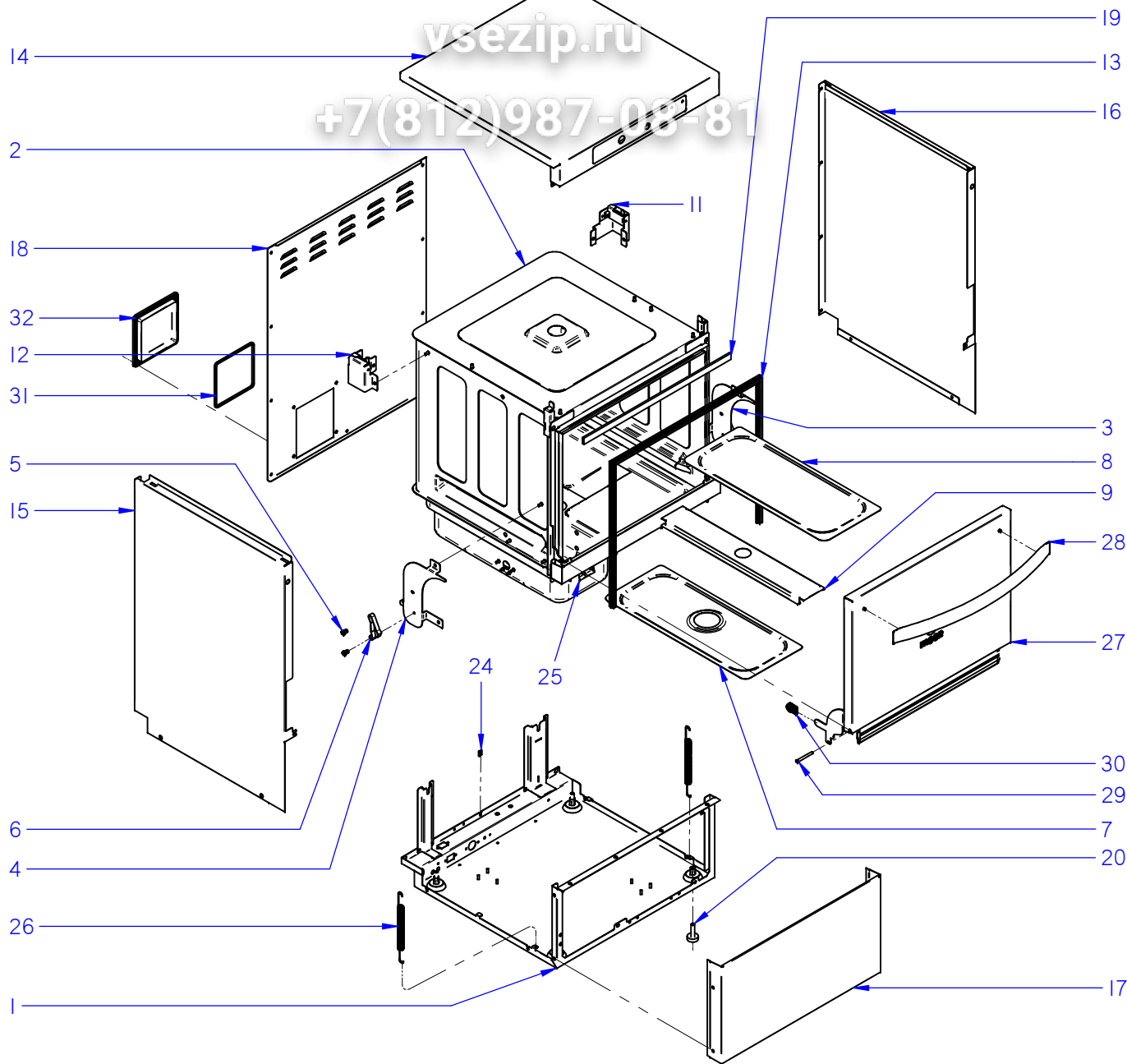
Revisado Diciembre 2014 December Revised



Зип Общепит

vsezip.ru

+7(812)987-08-81



N plano / Drawing N. **C-3286**
Firma / Signature **Ivan R.**
Fecha / Date **2014-10**
Aparato / Appliance **LAVAVAJILLAS CO-500-501 DISHWASHER**
ARMAZON / FRAME
Lamina / Sheet **1**
Fagor Industriai s. Coop. **FAGOR**
Opate

ITEM MARCADO EN COLOR = REPUESTO RECOMENDADO
COLOURED ITEM = RECOMMENDED SPARE PART

Зип Общепит

vsezip.ru

ARMAZON / FRAME

LÁMINA / DRAWING

C-3286

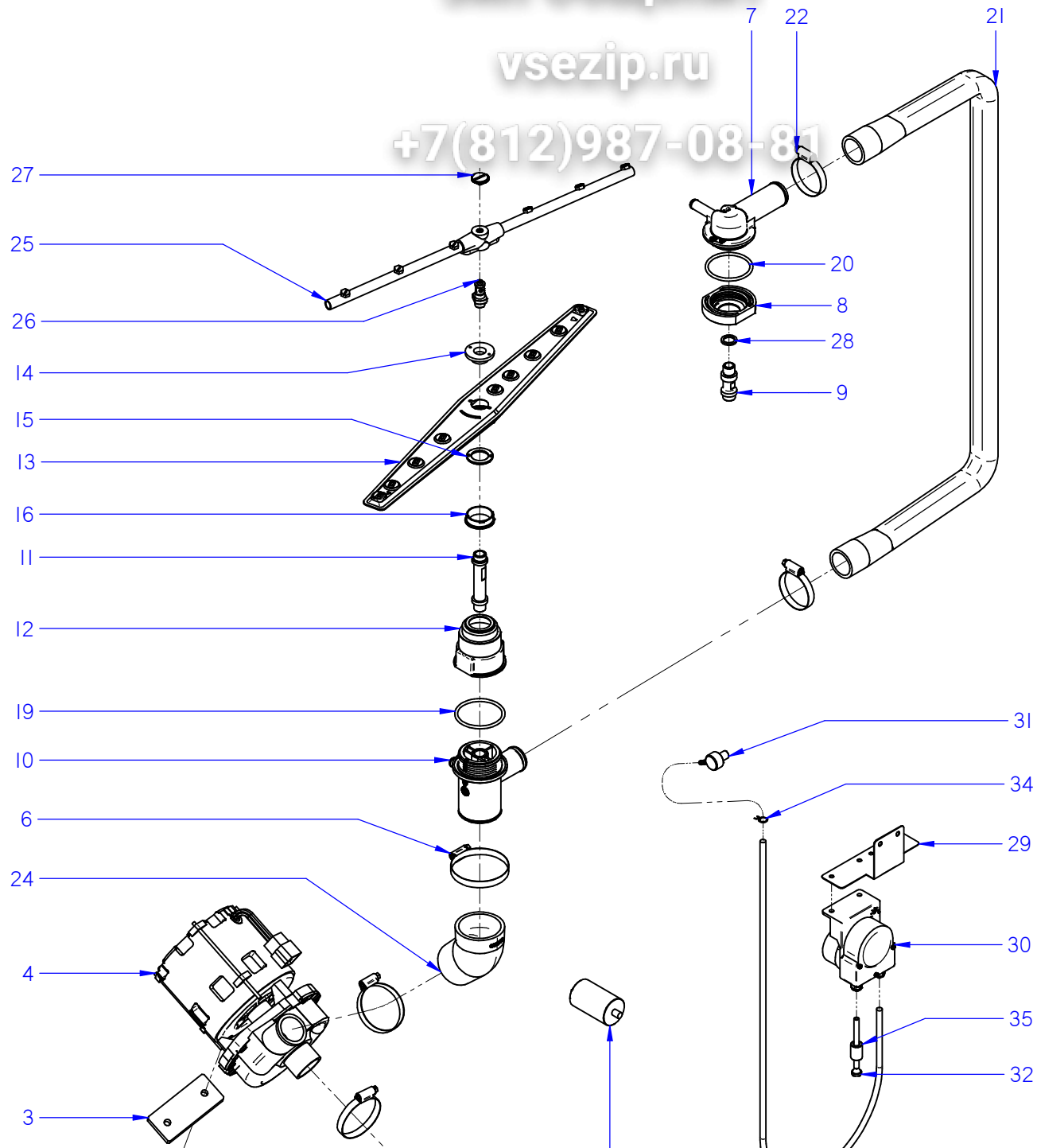


| ITEM | REFERENCIA REFERENCE | DENOMINACIÓN | DENOMINATION | CO-500 | CO-500 | | | | | | | RECOMMENDED | ELIMINADO ELIMINATED | INTRODUCIDO INTRODUCED | NOTAS / NOTES |
|------|-------------------------|-------------------------------|-----------------------------|--------|--------|--|--|--|--|--|--|-------------|-------------------------|---------------------------|---------------|
| 1 | 12097740 | CONJUNTO_BASE_ARMAZON_AF | BASE FRAME COMPLETE | 1 | 1 | | | | | | | | | | |
| 2 | 12049291 | CAJA SOLDADA CONCEPT | WELDED TUB CONCEPT | 1 | 1 | | | | | | | | | | |
| 3 | 12043455 | SOPORTE RESORTE PUERTA DCHA | DOOR SPRING RIGHT SUPPORT | 1 | 1 | | | | | | | | | | |
| 4 | 12043457 | SOPORTE RESORTE PUERTA IZDA | DOOR SPRING LEFT SUPPORT | 1 | 1 | | | | | | | | | | |
| 5 | 12043554 | EJE RESORTE | SPRING SHAFT | 4 | 4 | | | | | | | | | | |
| 6 | 12043429 | RESORTE PUERTA | DOOR SPRING | 2 | 2 | | | | | | | | | | |
| 7 | 12109967 | BANDEJA FILTRO ALIVIADERO | SPILLWAY FILTER TRAY | 1 | - | | | | | | | | | | |
| 8 | 12109964 | BANDEJA CONCEPT LISA (DCHA.) | CONCEPT FLAT TRAY (RIGHT) | 1 | - | | | | | | | | | | |
| 9 | 12098244 | SOPORTE CENTRAL BANDEJAS | CENTRAL TRAYS SUPPORT | 1 | - | | | | | | | | | | |
| 11 | 12103774 | SUJECIÓN PANEL LATERAL DCHO. | RIGHT SIDE PANEL FASTENING | 1 | 1 | | | | | | | | | | |
| 12 | 12103787 | SUJECIÓN PANEL LATERAL IZDO. | LEFT SIDE PANEL FASTENING | 1 | 1 | | | | | | | | | | |
| 13 | 12049352 | BURLETE APERTURA FRONTAL | FRONT LOADING GASKET | 1 | 1 | | | | | | | | | | |
| 14 | 12103683 | TAPA PORTAMANDOS CONCEPT | CONTROL PANEL COVER CONCEPT | 1 | 1 | | | | | | | | | | |
| 15 | 12122224 | PANEL LATERAL IZDO | LEFT SIDE PANEL | 1 | 1 | | | | | | | | | | |
| 16 | 12122222 | PANEL LATERAL DCHO | RIGHT SIDE PANEL | 1 | 1 | | | | | | | | | | |
| 17 | 12122220 | PANEL FRONTAL | FRONT PANEL | 1 | 1 | | | | | | | | | | |
| 18 | 12120613 | PANEL POSTERIOR ADVANCE | REAR PANEL ADVANCE | 1 | 1 | | | | | | | | | | |
| 19 | 12111378 | ESPUMA CIERRE TAPA PORTAMAND. | CTRL. P. COVER CLOSURE FOAM | 1 | 1 | | | | | | | | | | |
| 20 | 12024163 | PATA REGULABLE | REGULABLE FEET | 4 | 4 | | | | | | | | | | |
| 21 | 12025011 | CESTILLO BASE CT-10 | CT-10 BASE BASKET | 1 | 1 | | | | | | | | | | |
| 22 | 12024990 | CESTILLO PLATOS CP-16-18 | CP-16-18 PLATES BASKET | 1 | 1 | | | | | | | | | | |
| 23 | 12023745 | CESTILLO CUBIERTOS | CUTLERY BASKET | 1 | 1 | | | | | | | | | | |
| 24 | 12087215 | TUERCA RÁPIDA M5 MIKALOR | MIKALOR QUICK NUT M5 | 19 | 19 | | | | | | | | | | |
| 25 | 12044905 | SOPORTE BULBO TERMOMETRO | THERMOSTAT BULB SUPPORT | 1 | 1 | | | | | | | | | | |
| 26 | 12097279 | MUELLE APERTURA FRONTAL | FRONT LOADING SPRING | 2 | 2 | | | | | | | | | | |
| 27 | 12097227 | PUERTA COMPLETA | COMPLETE DOOR | 1 | 1 | | | | | | | | | | |
| 28 | 12049466 | ASA PUERTA | DOOR HANDLE | 1 | 1 | | | | | | | | | | |
| 29 | 12048418 | TORN_ESPECIAL_EJE_PUERTA_M6 | DOOR AXIS SPECIAL SCREW M-6 | 2 | 2 | | | | | | | | | | |
| 30 | 12047927 | TOPE BISAGRA | HINGE DOORSTOP | 2 | 2 | | | | | | | | | | |
| 31 | 12096947 | JUNTA TAPA | COVER'S SEAL | 1 | 1 | | | | | | | | | | |
| 32 | 12095220 | TAPA PLASTICO CAJA CONEXIONES | CONNECTIONS BOX COVER | 1 | 1 | | | | | | | | | | |

Зип Общепит

vsezip.ru

+7(812)987-08-81



Зип Общежит

vsezip.ru

ZONA / ZONE

PARTE FUNCIONAL LAVADO / WASHING FUNCTIONAL PART

LÁMINA / DRAWING

C-3287



| ITEM | REFERENCIA REFERENCE | DENOMINACIÓN | DENOMINATION | CO-500-501 | CO-500-501 DD | | | | | | | | RECOMMENDED | ELIMINADO ELIMINATED | INTRODUCIDO INTRODUCED | NOTAS / NOTES |
|------|-------------------------|-----------------------------------|------------------------------------|------------|---------------|--|--|--|--|--|--|--|-------------|-------------------------|---------------------------|---------------|
| 1 | 12024376 | CONDENSADOR 10MF | 10MF CAPACITOR | 1 | 1 | | | | | | | | X | | | |
| 2 | 12043784 | SOPORTE BOMBA LAVADO | WASHIG PUMP SUPPORT | 1 | 1 | | | | | | | | | | | |
| 3 | 12023556 | BASE BOMBA LAVADO 1003016 | WASHIG PUMP BASE 1003016 | 1 | 1 | | | | | | | | | | | |
| 4 | 12043287 | MOTOBOMBA 590KW 50Hz | WASHIG PUMP 590KW 50Hz | 1 | 1 | | | | | | | | X | | | |
| 4 | 12102834 | MOTOBOMBA 590KW 60Hz | WASHIG PUMP 590KW 60Hz | 1 | 1 | | | | | | | | X | | | |
| 5 | 12009962 | ABRAZADERA 40-60 | 40-60 CLAMP | 3 | 3 | | | | | | | | | | | |
| 6 | 12009933 | ABRAZADERA 50-70L | 50-70L CLAMP | 1 | 1 | | | | | | | | | | | |
| 7 | 12041614 | SOP. DISTRIBUIDOR SUPERIOR | UPPER SPRY-ARM SUPPORT | 1 | 1 | | | | | | | | | | | |
| 8 | 12041531 | AMARRE SOPORTE DISTR. SUPERIOR | UPPER DISTRIB. SUPPORT FASTENING | 1 | 1 | | | | | | | | | | | |
| 9 | 12043289 | EJE LAVADO FRONTAL | WASHING SHAFT FRONT LOADING | 1 | 1 | | | | | | | | | | | |
| 10 | 12047863 | SOP. DISTRIBUIDOR INFERIOR | LOWER SPRY-ARM SUPPORT | 1 | 1 | | | | | | | | | | | |
| 11 | 12048535 | EJE LAVADO AF CONCEPT | WASHING SHAFT FRONT LOADING | 1 | 1 | | | | | | | | | | | |
| 12 | 12048042 | AMARRE SOPORTE DISTR. INFERIOR | LOW. DISTRIB. SUPPORT FASTENING | 1 | 1 | | | | | | | | | | | |
| 13 | 12025122 | DISTRIBUIDOR MONTADO | COMPLETE DISTRIBUTOR | 2 | 2 | | | | | | | | | | | |
| 14 | 12110631 | ENGANCHE DISTRIBUIDOR LATON | LATON DISTRIBUTOR HOOK | 2 | 2 | | | | | | | | | | | |
| 15 | 12024289 | AMARRE ENGANCHE DISTRIBUI | DISTRIBUTOR HOOK FASTENING | 2 | 2 | | | | | | | | | | | |
| 16 | 12041629 | PROTECTOR FUGAS | LEAKAGE PROTECTOR | 2 | 2 | | | | | | | | | | | |
| 19 | 12049052 | JUNTA 53,57x3,53 SOP DISTRIB INFE | O-RING Ø53,57 x 3,53 LOW. DISTRIB. | 1 | 1 | | | | | | | | | | | |
| 20 | 12049055 | JUNTA TORICA Ø50,39 x 3,53 | O-RING Ø50,39 x 3,53 | 1 | 1 | | | | | | | | | | | |
| 21 | 12041930 | ARBOL LAVADO | WASHING TREE | 1 | 1 | | | | | | | | | | | |
| 22 | 12009986 | ABRAZADERA 32-50L | 32-50L CLAMP | 2 | 2 | | | | | | | | | | | |
| 23 | 12103941 | CODO ASPIRACION CONCEPT | SUCTION ELBOW ADVANCE | 1 | 1 | | | | | | | | | | | |
| 24 | 12041926 | CODO IMPULSION CONCEPT | EXPULSION ELBOW ADVANCE | 1 | 1 | | | | | | | | | | | |
| 25 | 12111791 | RAMA ACLARADO CONCEPT EVO | RINSE BRANCH CONCEPT EVO | 2 | 2 | | | | | | | | | | | |
| 26 | 12113893 | EJE ACLARADO CONCEPT EVO | RINSE SHAFT CONCEPT EVO | 2 | 2 | | | | | | | | | | | |
| 27 | 12009829 | TORNILLO ESPECIAL M.5X0.8 | SPECIAL SCREW M.5X0.8 | 2 | 2 | | | | | | | | | | | |
| 28 | 12115944 | CALZO EJE LAVADO | WASHING SHAFT SHIM | 1 | 1 | | | | | | | | | | | |

ZONA / ZONE PARTE FUNCIONAL LAVADO / WASHING FUNCTIONAL PART

LÁMINA / DRAWING

C-3287

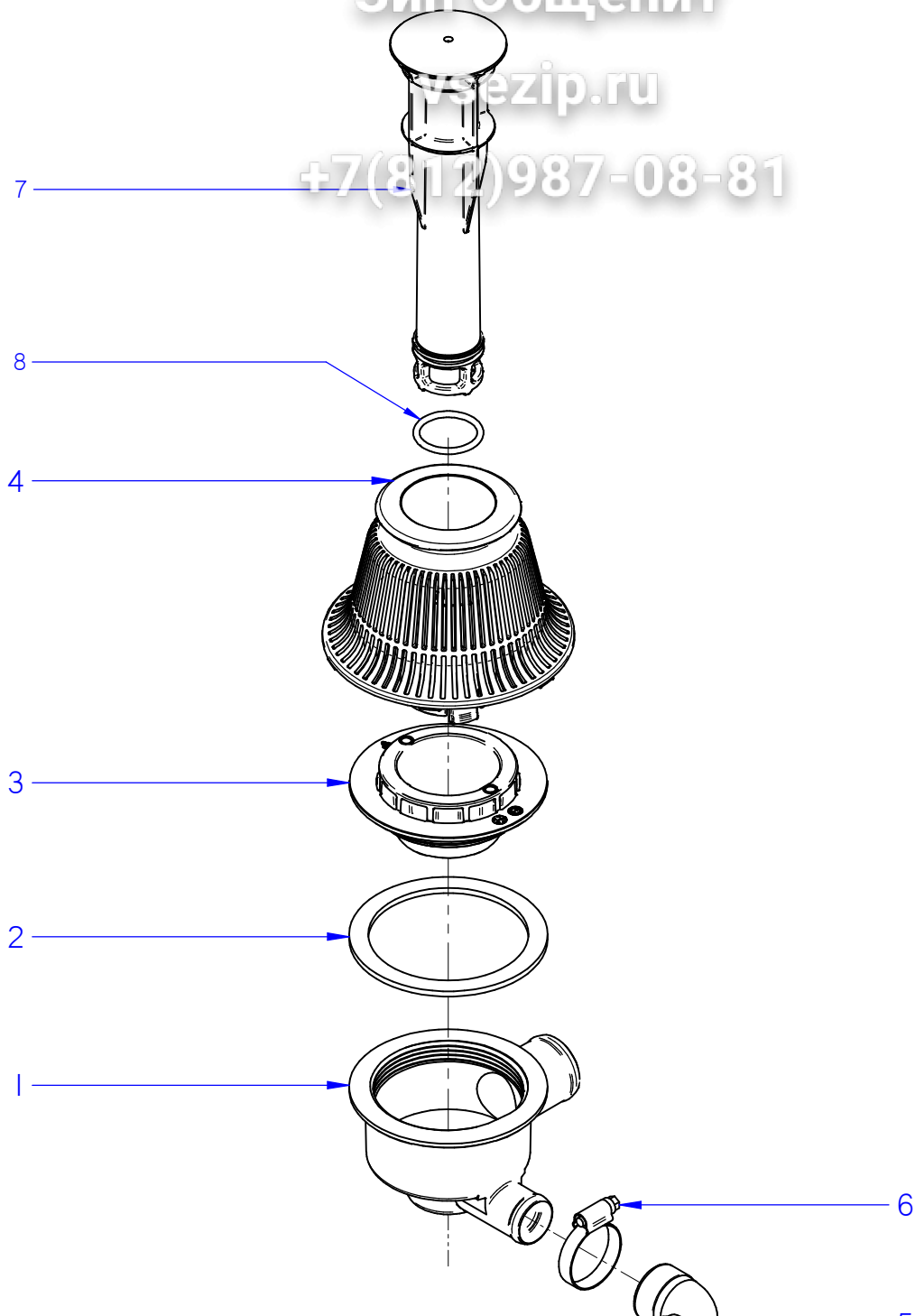
FAGOR

| ITEM | REFERENCIA REFERENCE | DENOMINACIÓN | DENOMINATION | CO-500-501 | CO-500-501 DD | | | | | | RECOMMENDED | ELIMINADO ELIMINATED | INTRODUCIDO INTRODUCED | NOTAS / NOTES |
|------|-------------------------|--------------------------------|-------------------------------|------------|---------------|--|--|--|--|--|-------------|-------------------------|---------------------------|---------------|
| | 19022347 | KIT DOSIFICADOR DETERGENTE EVO | DETERGENT DISPENSER KIT EVO | | | | | | | | | | | |
| 29 | 12102040 | SOPORT. DOSIFICADORES | DISPENSERS SUPPORT | - | 1 | | | | | | | | | |
| 30 | 12024216 | DOSIFIC. DGTE REGULABLE G300 | REGUL. DETERG. DISPENSER G300 | - | 1 | | | | | | X | | | |
| 31 | 12024531 | INYECTOR DETERGENTE INOX | DETERGENT INJECTOR | - | 1 | | | | | | | | | |
| 32 | 12024139 | CONDUCTO ASPIRACIÓN AZKOY CO | AZKOY SUCTION PIPE | - | 1 | | | | | | | | | |
| 33 | 11000079 | CONDUCTO DOSIF. TRANSP 6X4 | DISPENSER TRANSPARENT PIPE | - | 1 | | | | | | | | | |
| 34 | 12023707 | BRIDA ELASTICA TUBO | ELASTIC CLAMP FOR PIPES | - | 1 | | | | | | | | | |
| 35 | 12024353 | PESO FILTRO | FILTER'S WEIGHT | - | 1 | | | | | | | | | |

Зип Общепит

vsezip.ru

+7(812)987-08-81



Зип Общепит

vsezip.ru

| | |
|-------------|-----------------|
| ZONA / ZONE | DESAGÜE / DRAIN |
|-------------|-----------------|

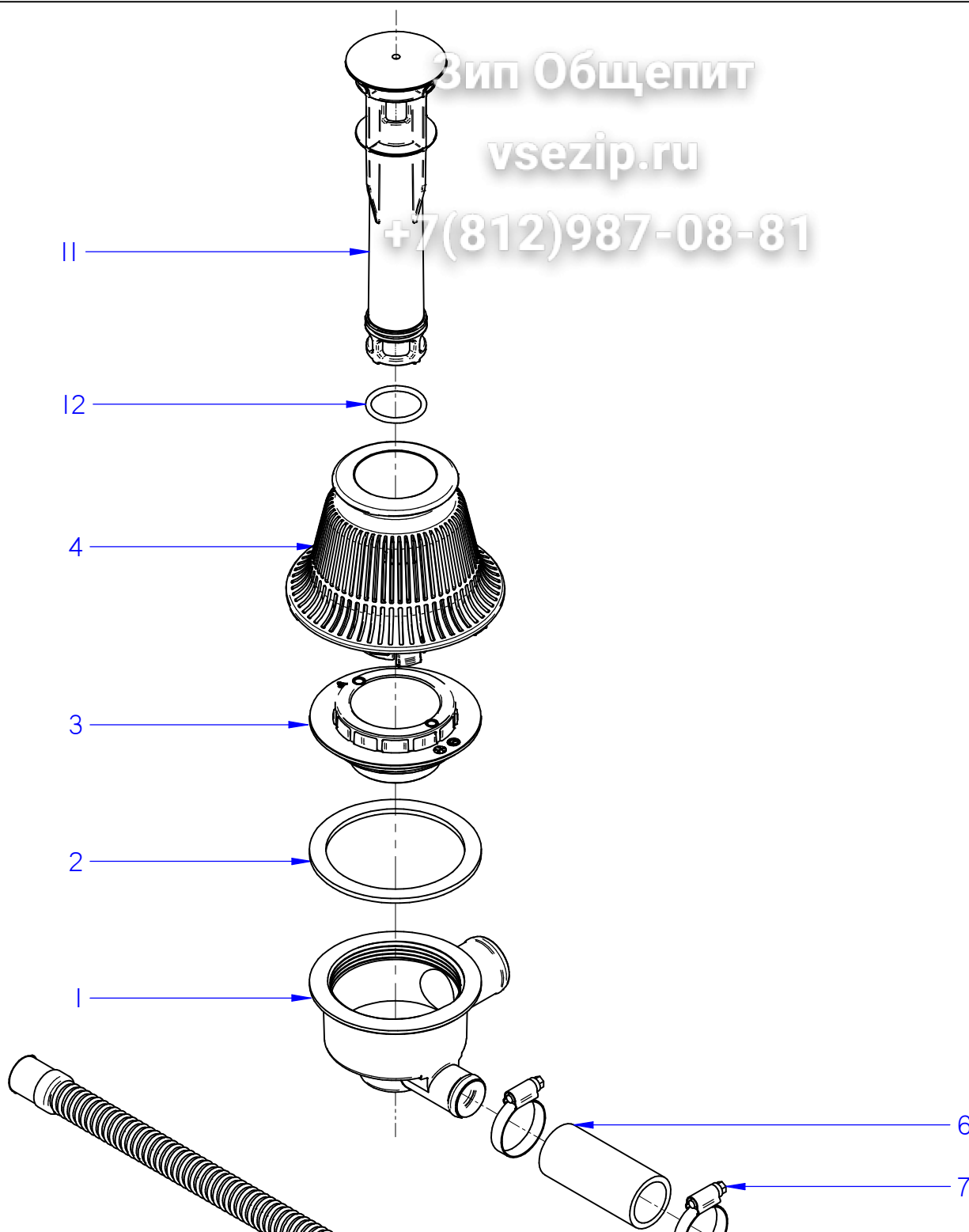
| | | |
|------------------|--------|---|
| LÁMINA / DRAWING | C-3288 | FAGOR  |
|------------------|--------|---|

| ITEM | REFERENCIA REFERENCE | DENOMINACIÓN | DENOMINATION | CO-500501 | | | | | | | | | RECOMMENDED | ELIMINADO ELIMINATED | INTRODUCIDO INTRODUCED | NOTAS / NOTES |
|------|-------------------------|----------------------------|------------------------------|-----------|--|--|--|--|--|--|--|--|-------------|-------------------------|---------------------------|---------------|
| 1 | 12041533 | CUBETA A.F. ADVANCE | FRONT LOADING PAIL ADVANCE | 1 | | | | | | | | | | | | |
| 2 | 12041925 | JUNTA Ø110xØ89x3.5 | Ø110xØ89x3.5 SEAL | 1 | | | | | | | | | | | | |
| 3 | 12041600 | AMARRE CUBETA A.F. ADVANCE | FRONT LOADING PAIL FASTENING | 1 | | | | | | | | | | | | |
| 4 | 12049633 | FILTRO COMPLETO CONCEPT | COMPLETE FILTER CONCEPT | 1 | | | | | | | | | | | | |
| 5 | 12115471 | MANGUERA DESAGÜE | DRAINING PIPE | 1 | | | | | | | | | X | | | |
| 6 | 12009997 | ABRAZADERA 25-40 | 25-40 CLAMP | 1 | | | | | | | | | | | | |
| 7 | 12049632 | ALIVIADERO COMPLETO | COMPLETE SPILLWAY | 1 | | | | | | | | | | | | |
| 8 | 12115850 | JUNTA TORICA ALIVIADERO | SPILLWAY O-RING | 1 | | | | | | | | | | | | |
| | 19013376 | KIT BOMBA DE DESAGÜE | DRAINING PUMP KIT | | | | | | | | | | | | | |

Вип Общепит

vsezip.ru


+7(812)987-08-81



Зип Общепит

vsezip.ru

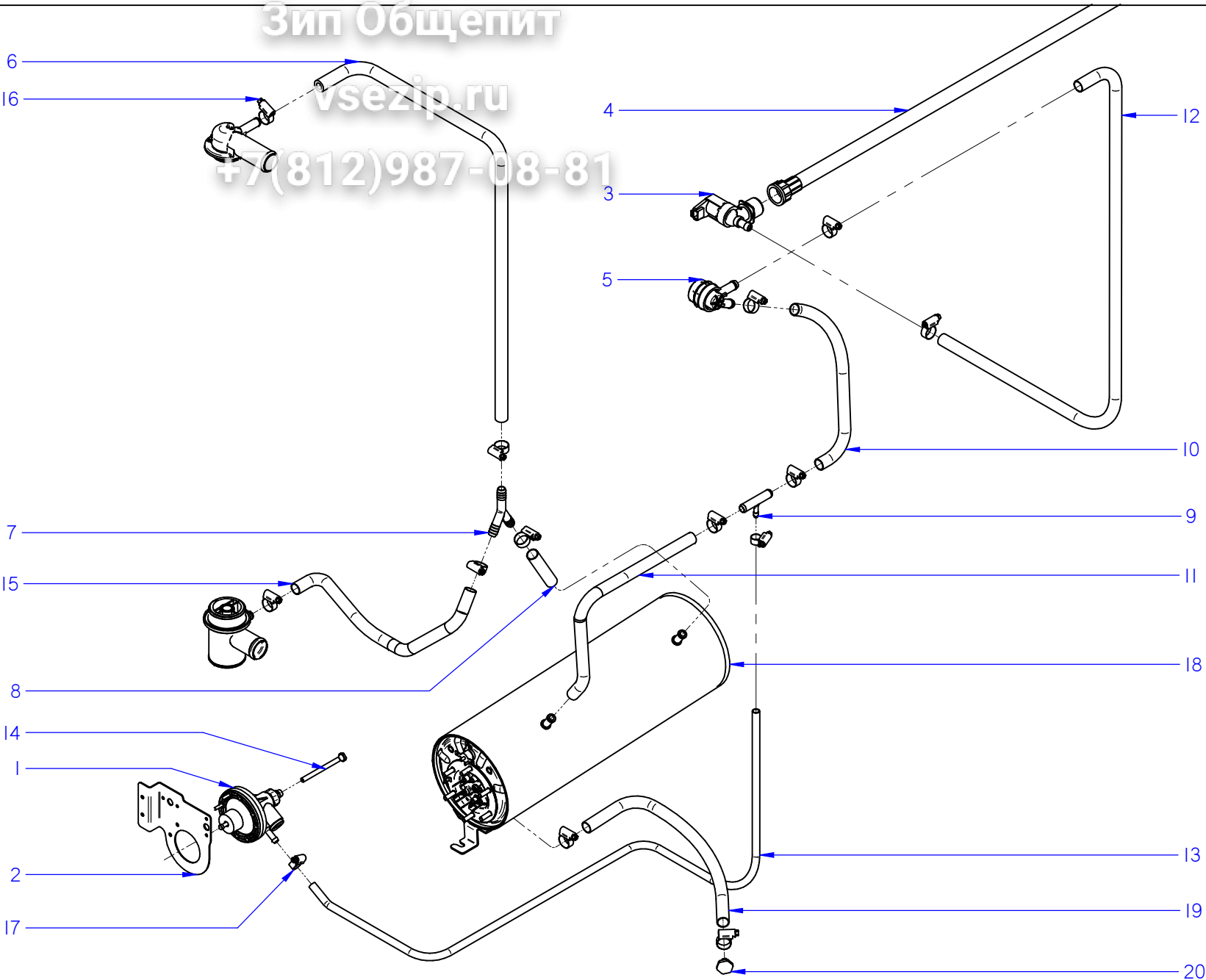
+7(812)987-08-81

| ZONA / ZONE | | DESAGÜE / DRAIN | | | LÁMINA / DRAWING | C-3289 | FAGOR  | | | | | | | |
|-------------|-------------------------|-----------------------------|------------------------------|------------|------------------|--------|---|--|--|--|-------------|-------------------------|---------------------------|---------------|
| ITEM | REFERENCIA REFERENCE | DENOMINACIÓN | DENOMINATION | CO-50001 B | | | | | | | RECOMMENDED | ELIMINADO ELIMINATED | INTRODUCIDO INTRODUCED | NOTAS / NOTES |
| 1 | 12041533 | CUBETA A.F. | FRONT LOADING PAIL | 1 | | | | | | | | | | |
| 2 | 12041925 | JUNTA Ø110xØ89x3.5 | Ø110xØ89x3.5 SEAL | 1 | | | | | | | | | | |
| 3 | 12041600 | AMARRE CUBETA A.F. ADVANCE | FRONT LOADING PAIL FASTENING | 1 | | | | | | | | | | |
| 4 | 12049633 | FILTRO COMPLETO CONCEPT | COMPLETE FILTER CONCEPT | 1 | | | | | | | | | | |
| 5 | 12023666 | MANGUERA DESAGÜE | DRAINING PIPE | 1 | | | | | | | X | | | |
| 6 | 12041924 | COND. CUBETA-BOMBA DESAGÜE | PAIL - DRAINING PUMP PIPE | 1 | | | | | | | | | | |
| 7 | 12009997 | ABRAZADERA 25-40 | 25-40 CLAMP | 2 | | | | | | | | | | |
| 8 | 12094265 | BOMBA DESAGÜE | DRAINING PUMP | 1 | | | | | | | X | | | |
| 9 | 12010021 | JUNTA GUIA | GUIDE SEAL | 1 | | | | | | | | | | |
| 10 | 12010023 | ABRAZADERA 20-32 | 20-32 CLAMP | 1 | | | | | | | | | | |
| 11 | 12114854 | ALIVIADERO COMP. VERSION BD | DR. PUMP VERSION SPILLWAY | 1 | | | | | | | | | | |
| 12 | 12115850 | JUNTA TORICA ALIVIADERO | SPILLWAY O-RING | 1 | | | | | | | | | | |
| | | | | | | | | | | | | | | |
| | | | | | | | | | | | | | | |
| | | | | | | | | | | | | | | |
| | | | | | | | | | | | | | | |
| | | | | | | | | | | | | | | |
| | | | | | | | | | | | | | | |
| | | | | | | | | | | | | | | |
| | | | | | | | | | | | | | | |
| | | | | | | | | | | | | | | |
| | | | | | | | | | | | | | | |
| | | | | | | | | | | | | | | |
| | | | | | | | | | | | | | | |
| | | | | | | | | | | | | | | |

Зип Общепит

vsezip.ru

+7(812)987-08-81



ITEM MARCADO EN COLOR = REPUESTO RECOMENDADO
COLOURED ITEM = RECOMMENDED SPARE PART

| | | | | |
|---------------------------------------|--|--------------------------------|--|--|
| N plano / Drawing N. C-3290 | Firma / Signature Иван Р. | Fecha / Date 2014-10 | Aparato / Appliance LAVAVAJILLAS CO-500-501 DISHWASHER | Lamina / Sheet 5 |
| | | | ACABADO / FINISHING PART | Fagor Industriai s. Coop. FAGOR |

Зип Общепит

ZONA / ZONE PARTE FUNCIONAL ACLARADO / FUNCTIONAL RINSE PART

LÁMINA / DRAWING

C-3290



vsezip.ru

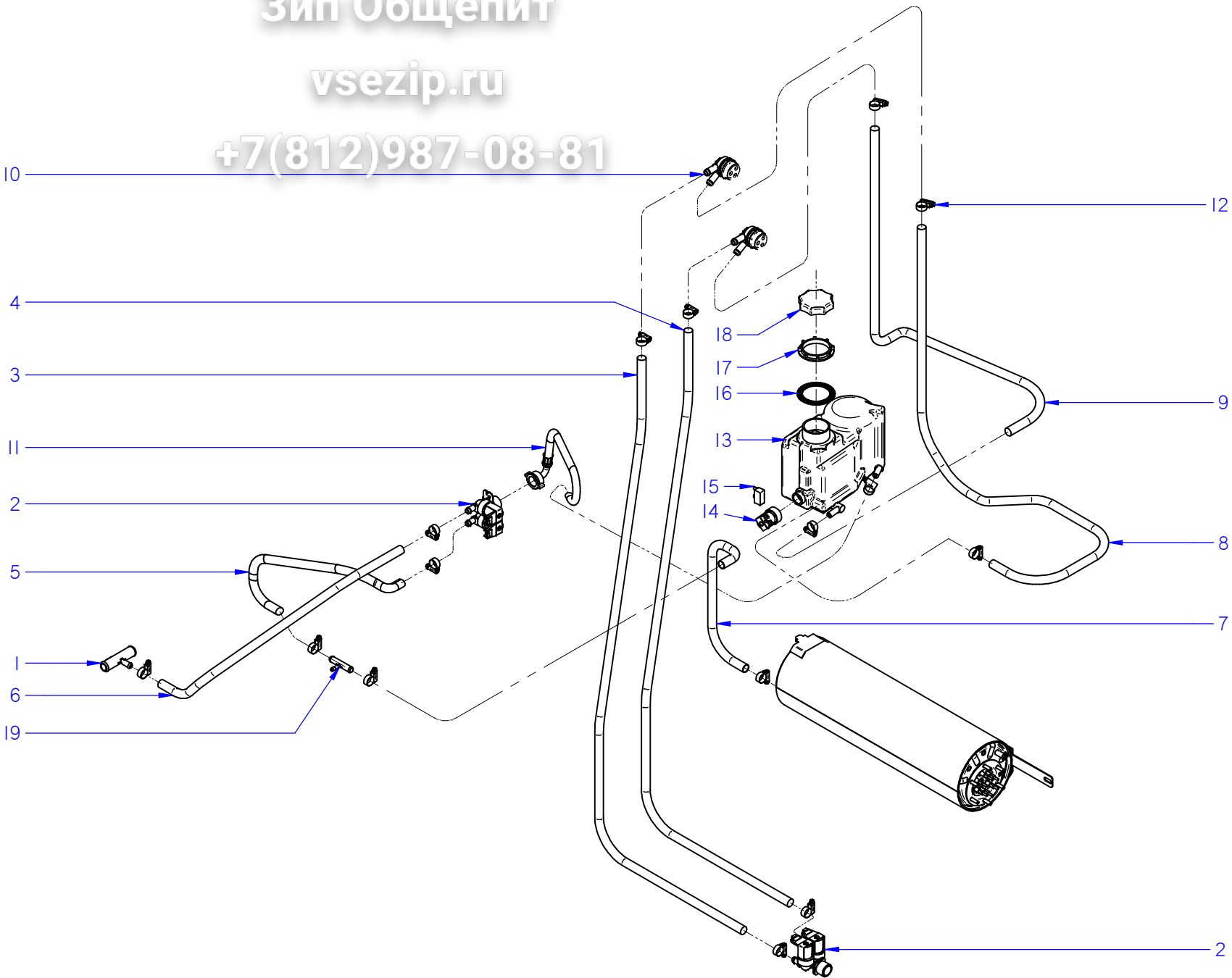
+7(812)987-08-81

| ITEM | REFERENCIA REFERENCE | DENOMINACIÓN | DENOMINATION | CO-500501 | | | | | | | | RECOMMENDED | ELIMINADO ELIMINATED | INTRODUCIDO INTRODUCED | NOTAS / NOTES | |
|------|-------------------------|------------------------------|-------------------------------|-----------|--|--|--|--|--|--|--|-------------|-------------------------|---------------------------|---------------|--|
| 1 | 12045206 | DOSIFICADOR ABRILL. AQUA | AQUA RINSE AID DISPENSER | 1 | | | | | | | | X | | | | |
| 2 | 12049650 | SOPORTE TERMOSTATO Y DOSIFIC | THERMOST. AND DISPENSER SUPP. | 1 | | | | | | | | | | | | |
| 3 | 12095427 | E.V SIMPLE 220V SALIDA A 90º | SIMPLE E.V 90º EXIT | 1 | | | | | | | | X | | | | |
| 4 | 12024115 | MANGUERA ENTRADA AGUA | WATER SUPPLY HOSE | 1 | | | | | | | | | | | | |
| 5 | 12024568 | VALVULA ANTIRRETORNO | NON-RETURN VALVE | 1 | | | | | | | | | | | | |
| 6 | 11000083 | TUBO GOMA NEGRA D 17x10 | BLACK RUBBER PIPE D 17x10 | 1 | | | | | | | | | | | | |
| 7 | 12023511 | RACORD EN Y | Y FITTING | 1 | | | | | | | | | | | | |
| 8 | 11000083 | TUBO GOMA NEGRA D 17x10 | BLACK RUBBER PIPE D 17x10 | 1 | | | | | | | | | | | | |
| 9 | 12025288 | TOMA PRESION | PRESSURE FITTING | 1 | | | | | | | | | | | | |
| 10 | 11000083 | TUBO GOMA NEGRA D 17x10 | BLACK RUBBER PIPE D 17x10 | 1 | | | | | | | | | | | | |
| 11 | 11000083 | TUBO GOMA NEGRA D 17x10 | BLACK RUBBER PIPE D 17x10 | 1 | | | | | | | | | | | | |
| 12 | 11000083 | TUBO GOMA NEGRA D 17x10 | BLACK RUBBER PIPE D 17x10 | 1 | | | | | | | | | | | | |
| 13 | 11000070 | TUBO GOMA NEGRO D 10,5*5 | BLACK RUBBER PIPE D 10,5*5 | 1 | | | | | | | | | | | | |
| 14 | 12024139 | CONDUCTO ASPIRACIÓN AZKOY CO | AZKOY SUCTION PIPE | 1 | | | | | | | | | | | | |
| 15 | 11000083 | TUBO GOMA NEGRA D 17x10 | BLACK RUBBER PIPE D 17x10 | 1 | | | | | | | | | | | | |
| 16 | 12010036 | ABRAZADERA 12-20 | 12-20 CLAMP | 10 | | | | | | | | | | | | |
| 17 | 12010047 | ABRAZADERA 8-14L | 8-14L CLAMP | 2 | | | | | | | | | | | | |
| 18 | 12097081 | CALDERIN CONCEPT SOLDADO | CONCEPT BOILER WELDED | 1 | | | | | | | | | | | | |
| 19 | 11000083 | TUBO GOMA NEGRA D 17x10 | BLACK RUBBER PIPE D 17x10 | 1 | | | | | | | | | | | | |
| 20 | 12041528 | Tapon M10x1.5 | M10x1.5 CAP | 1 | | | | | | | | | | | | |
| | | | | | | | | | | | | | | | | |
| | | | | | | | | | | | | | | | | |
| | | | | | | | | | | | | | | | | |
| | | | | | | | | | | | | | | | | |
| | | | | | | | | | | | | | | | | |
| | | | | | | | | | | | | | | | | |
| | | | | | | | | | | | | | | | | |
| | | | | | | | | | | | | | | | | |
| | | | | | | | | | | | | | | | | |
| | | | | | | | | | | | | | | | | |
| | | | | | | | | | | | | | | | | |
| | | | | | | | | | | | | | | | | |
| | | | | | | | | | | | | | | | | |

Зип Общепит

vsezip.ru

+7(812)987-08-81



ITEM MARCADO EN COLOR = REPUESTO RECOMENDADO
COLOURED ITEM = RECOMMENDED SPARE PART

N plano / Drawing N.
C-3290-1 Ivan R. 2014-10

Firma /
Signature

Fecha / Date

Aparato / Appliance

LAVAVAJILLAS CO-501 SOFT DISHWASHER

DESCALIFICADOR / SOFTENER

Lamina / Sheet

6

Fagor Industrial S. Coop. **FAGOR**
Oparte

Зип Общепит

| | | | | |
|--------------------|---|-------------------------|-----------------|--------------|
| ZONA / ZONE | PARTE FUNCIONAL ACLARADO / FUNCTIONAL RINSE PART | LÁMINA / DRAWING | C-3290-1 | FAGOR |
|--------------------|---|-------------------------|-----------------|--------------|

vsezip.ru

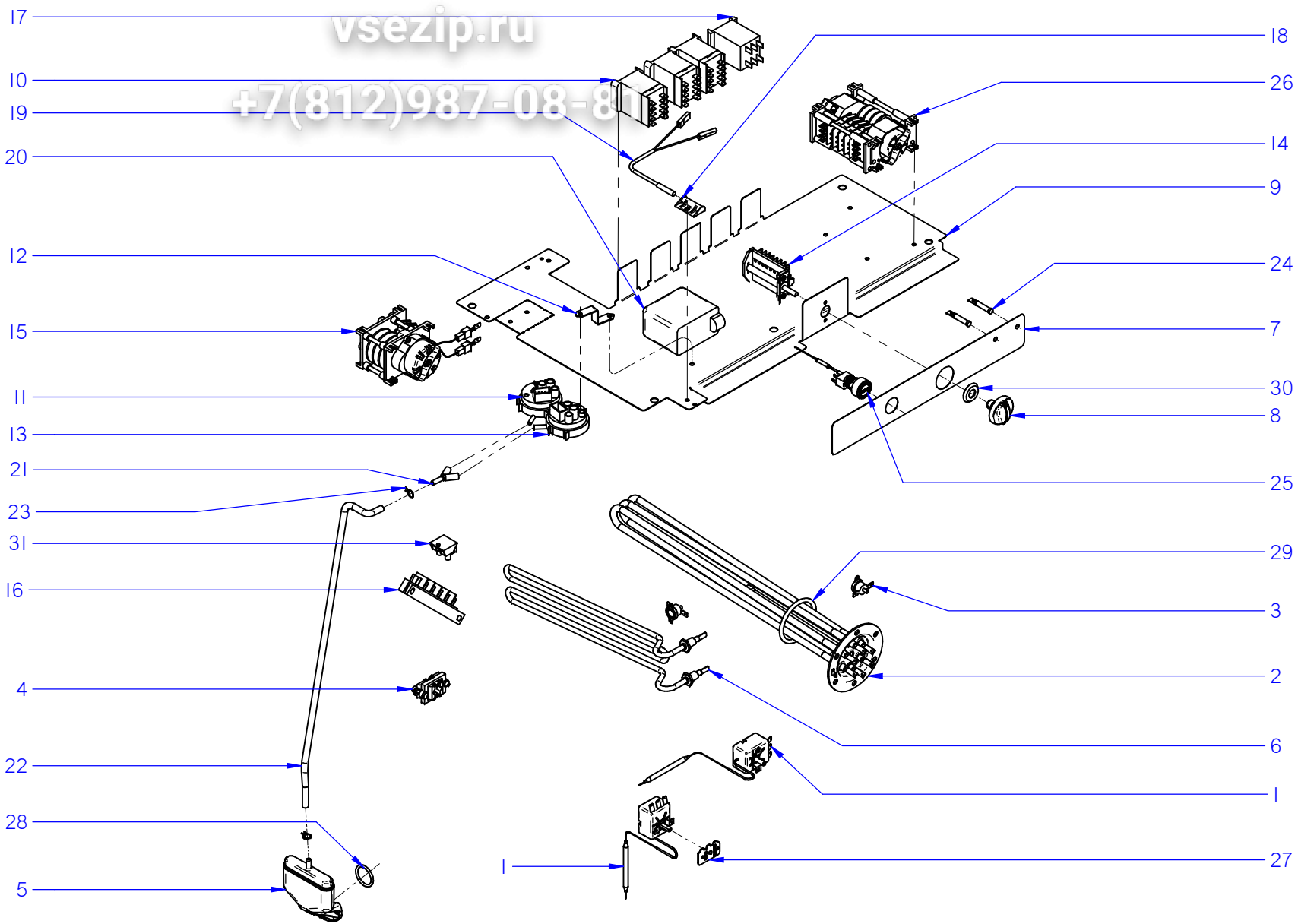
+7(812)987-08-31

| ITEM | REFERENCIA REFERENCE | DENOMINACIÓN | DENOMINATION | CO-501 COFT | | | | | | | RECOMMENDED | ELIMINADO ELIMINATED | INTRODUCIDO INTRODUCED | NOTAS / NOTES |
|------|-------------------------|--------------------------------|----------------------------|----------------|--|--|--|--|--|--|-------------|-------------------------|---------------------------|---------------|
| 1 | 12041520 | EMPALME DESCALCIF.- DESAGÜE | SOFTENER-DRAIN JOINT | 1 | | | | | | | | | | |
| 2 | 12110531 | E.V.DOBLE 220/240V 50/60Hz | DOUBLE EV 220/240V 50/60Hz | 2 | | | | | | | X | | | |
| 3 | 11000083 | TUBO GOMA NEGRA D 17x10 | D 17x10 BLACK RUBBER PIPE | 1 | | | | | | | | | | |
| 4 | 11000083 | TUBO GOMA NEGRA D 17x10 | D 17x10 BLACK RUBBER PIPE | 1 | | | | | | | | | | |
| 5 | 11000083 | TUBO GOMA NEGRA D 17x10 | D 17x10 BLACK RUBBER PIPE | 1 | | | | | | | | | | |
| 6 | 11000083 | TUBO GOMA NEGRA D 17x10 | D 17x10 BLACK RUBBER PIPE | 1 | | | | | | | | | | |
| 7 | 11000083 | TUBO GOMA NEGRA D 17x10 | D 17x10 BLACK RUBBER PIPE | 1 | | | | | | | | | | |
| 8 | 11000083 | TUBO GOMA NEGRA D 17x10 | D 17x10 BLACK RUBBER PIPE | 1 | | | | | | | | | | |
| 9 | 11000083 | TUBO GOMA NEGRA D 17x10 | D 17x10 BLACK RUBBER PIPE | 1 | | | | | | | | | | |
| 10 | 12024568 | VALVULA ANTIRRETORNO | NON-RETURN VALVE | 2 | | | | | | | | | | |
| 11 | 12115441 | MANGUERA DESCALCIF.- EV. DOBLE | SOFTENER_DOUBLE EV PIPE | 1 | | | | | | | | | | |
| 12 | 12010036 | ABRAZADERA 12-20 | 12-20 CLAMP | 14 | | | | | | | | | | |
| 13 | 12044603 | DESCALDIFICADOR COMPLETO | COMPLETE SOFTENER | 1 | | | | | | | X | | | |
| 14 | 12044600 | MEDIA ELECTROVÁLVULA | HALF ELECTROVALVE | 1 | | | | | | | | | | |
| 15 | 12044602 | INTERRUPTOR SAL | SALT REED | 1 | | | | | | | | | | |
| 16 | 12045142 | JUNTA DESCALCIFICADOR Ø74xØ54 | SOFTENER SEAL Ø74xØ54 | 1 | | | | | | | | | | |
| 17 | 12045143 | AMARRE JUNTA DESCALCIFICADOR | SOFTENER SEAL FASTENER | 1 | | | | | | | | | | |
| 18 | 12045145 | TAPÓN DESCALCIFICADOR | SOFTENER TAP | 1 | | | | | | | | | | |
| 19 | 12025288 | TOMA PRESION | PRESSURE FITTING | 1 | | | | | | | | | | |
| | | | | | | | | | | | | | | |
| | | | | | | | | | | | | | | |
| | | | | | | | | | | | | | | |
| | | | | | | | | | | | | | | |
| | | | | | | | | | | | | | | |
| | | | | | | | | | | | | | | |
| | | | | | | | | | | | | | | |
| | | | | | | | | | | | | | | |
| | | | | | | | | | | | | | | |
| | | | | | | | | | | | | | | |
| | | | | | | | | | | | | | | |
| | | | | | | | | | | | | | | |
| | | | | | | | | | | | | | | |

Зип Общепит

vsezip.ru

+7(812)987-08-81



ITEM MARCADO EN COLOR = REPUESTO RECOMENDADO
COLOURED ITEM = RECOMMENDED SPARE PART

N plano / Drawing N.
C-3291

Firma /
Signature
Иван Р.

Fecha / Date
2014-10

Aparato / Appliance
LAVAVAJILLAS

CONJUNTO ELECTRICO / ELECTRICAL PART
CO-500-501 DISHWASHER

Lamina / Sheet
7

Fagor Industrial S. Coop. **FAGOR**
Omate

Зип Общепит

ZONA / ZONE **CONJUNTO ELECTRICO / ELECTRICAL PART**

LÁMINA / DRAWING

C-3291



vsezip.ru

+7(812)987-08-31

| ITEM | REFERENCIA REFERENCE | DENOMINACIÓN | DENOMINATION | CO-501 | CO-501 SOFT | | | | | | RECOMMENDED | ELIMINADO ELIMINATED | INTRODUCIDO INTRODUCED | NOTAS / NOTES |
|------|-------------------------|---------------------------------|---------------------------------|--------|----------------|--|--|--|--|--|-------------|-------------------------|---------------------------|---------------|
| 1 | 12040858 | TERMOSTATO REGULABLE 85°C | REGULABLE THERMOSTAT 85°C | 2 | 2 | | | | | | X | | | |
| 2 | 12098745 | RESISTENCIA CALDERIN 6KW | BOILER'S RESISTOR 6KW | 1 | 1 | | | | | | X | | | |
| 3 | 12096597 | TERM.SEG. 261B 110°C FAST 90 | SAFETY THER. 261B 110°C FAST 90 | 2 | 2 | | | | | | X | | | |
| 4 | 12024230 | RETENEDOR DE CABLE | CABLE RETAINER | 1 | 1 | | | | | | | | | |
| 5 | 12093146 | CAMPANA TANQUE | TUB'S PRESSURE CHAMBER | 1 | 1 | | | | | | X | | | |
| 6 | 12048965 | RESISTENCIA TANQUE 2800W | TUB'S RESISTOR 2800W | 1 | 1 | | | | | | X | | | |
| 7 | 12092556 | EMBELLECEDOR CO-501 | CO-501 STICKER | 1 | | | | | | | X | | | |
| 7 | 12092560 | EMBELLECEDOR CO-501 SOFT | CO-501 SOFT STICKER | | 1 | | | | | | X | | | |
| 8 | 12115972 | CONJUNTO MANDO CONCEPT | CONCEPT KNOB ASSEMBLED | 1 | 1 | | | | | | X | | | |
| 9 | 12047982 | SOP. COMPONENTES ELECTRICOS | ELECTRIC COMPONENTS SUPPORT | 1 | 1 | | | | | | | | | |
| 10 | 12024011 | CONTACTOR 230 V. 50-60 HZ | 230 V. 50-60 HZ CONTACTOR | 3 | 3 | | | | | | X | | | |
| 11 | 12096970 | PRESOSTATO 1,40-6,30 BAR SIMPLE | 1,40-6,30 BAR PRESSURE SWITCH | 1 | 1 | | | | | | X | | | |
| 12 | 12098323 | SOPORTE PRESOSTATO AF | PRESSURE SWITCH SUPPORT | 1 | 1 | | | | | | | | | |
| 13 | 12096968 | PRESOSTATO 1,40-6,30 BAR SIMPLE | 1,40-6,30 BAR PRESSURE SWITCH | 1 | 1 | | | | | | X | | | |
| 14 | 12024445 | CONMUTADOR DE FUNCIONES | SWITCH FOR FUNCTIONS | 1 | 1 | | | | | | X | | | |
| 15 | 12024867 | PROGRAMADOR REGENERACION | REGENERATION PROGRAMMER | | 1 | | | | | | X | | | |
| 16 | 12025183 | REGLETA AUXILIAR FV-122 | AUX. CONNECTION STRIP FV-122 | 1 | 1 | | | | | | | | | |
| 17 | 12023706 | RELE 230V. 16A 50-60 HZ | 230V. 16A 50-60 HZ RELAY | 1 | 1 | | | | | | X | | | |
| 18 | 12024066 | AMARRE INTERRUPTOR MAGNETICO | MAGNETIC SWITCH'S SUPPORT | 1 | 1 | | | | | | | | | |
| 19 | 12024477 | INTERRUPTOR MAGNETICO | MAGNETIC SWITCH | 1 | 1 | | | | | | X | | | |
| 20 | 12110686 | SOFT START AF | SOFT START AF | 1 | 1 | | | | | | X | | | |
| 21 | 12023510 | RACORD EN Y | Y FITTING | 1 | 1 | | | | | | | | | |
| 22 | 11000066 | TUBO GOMA NEGRO D 8*4 | BLACK RUBBER PIPE D 8*4 | 1 | 1 | | | | | | | | | |
| 23 | 12023707 | BRIDA ELASTICA TUBO | ELASTIC CLAMP FOR PIPES | 2 | 2 | | | | | | | | | |
| 24 | 12087178 | PILOTO BLANCO | WHITE PILOT | 2 | 3 | | | | | | | | | |
| 25 | 12115383 | PULSADOR 220V AC 5A 1VIA 1POS | 220V AC 5A 1WAY 1POS PUSHBUTTON | 1 | 1 | | | | | | X | | | |
| 26 | 12092150 | PROGRAMADOR 230V AC 50Hz 5LEV | PROGRAMMER 230 AC 50Hz 16A 5LEV | 1 | 1 | | | | | | X | | | |
| 27 | 12044848 | REGULADOR A 60°C Tt DE 85°C | 60°C Tt DE 85°C REGULATOR | 1 | 1 | | | | | | | | | |
| 28 | 12093145 | JUNTA TORICA CAMPANA | PRESSURE CHAMBER'S O-RING | 1 | 1 | | | | | | | | | |
| 29 | 12010051 | JUNTA TORICA RESIST. CALDERIN | BOILER'S RESISTOR'S O-RING | 1 | 1 | | | | | | X | | | |
| 30 | 12024516 | JUNTA CONMUTADOR | FUNCTIONS SWITCH SEAL | 1 | 1 | | | | | | | | | |
| 31 | 12024110 | REGLETA DE CONEXIONES | CONNECTION STRIP | 1 | 1 | | | | | | | | | |


Зип Общепит


vsezip.ru

| ITEM | REFERENCIA REFERENCE | DENOMINACIÓN | DENOMINATION | CO-500 | CO-501 | SOFT | RECOMMENDED | ELIMINADO ELIMINATED | INTRODUCIDO INTRODUCED | NOTAS / NOTES |
|------|-------------------------|----------------------------------|---------------------------------|--------|--------|------|-------------|-------------------------|---------------------------|---------------|
| | 12117503 | CABLEADO PORTAMAN. CO-21-48-64 | CNTRL. PANEL WIRING CO-21-48-64 | 1 | 1 | | | | | |
| | 12119611 | INSTALACION GENERAL CO 64, 48 | ELECTRICAL WIRING CO-64-48 | 1 | - | | | | | |
| | 12024651 | CABLE DE ALIMENTACION 4X2.5MM2 | POWER CORD 4X2.5MM2 | 1 | 1 | | | | | |
| | 12009946 | CABLEADO TENSOR | TENSIONER WIRING | 1 | 1 | | | | | |
| | 12117380 | CABLEADO RESIS+DIODO PARA LED | RESIST+DIODE FOR LED WIRING | 2 | 3 | | | | | |
| | 12119710 | INSTALACION ELEC. CO 64, 48 SOFT | ELECTRICAL WIRING CO-64-48 SOFT | - | 1 | | | | | |
| | | | | | | | | | | |
| | | | | | | | | | | |
| | | | | | | | | | | |
| | | | | | | | | | | |
| | | | | | | | | | | |
| | | | | | | | | | | |
| | | | | | | | | | | |
| | | | | | | | | | | |
| | | | | | | | | | | |
| | | | | | | | | | | |
| | | | | | | | | | | |
| | | | | | | | | | | |
| | | | | | | | | | | |
| | | | | | | | | | | |
| | | | | | | | | | | |
| | | | | | | | | | | |
| | | | | | | | | | | |

Зип Общепит

vsezip.ru

| ZONA / ZONE | | RECOMENDADOS / RECOMMENDED | | | | | | | | LÁMINA / DRAWING | | | | FAGOR  | |
|-------------|-------------------------|---------------------------------|---------------------------------|--------|-----------|----------|-------------|--------|-----------|------------------|-------------|-------------------------|---------------------------|---|--|
| ITEM | REFERENCIA REFERENCE | DENOMINACIÓN | DENOMINATION | CO-500 | CO-500 DD | CO-500 B | CO-500 B DD | CO-501 | CO-501 DD | CO-501 B | CO-501 B DD | ELIMINADO ELIMINATED | INTRODUCIDO INTRODUCED | NOTAS / NOTES | |
| 1 | 12024376 | CONDENSADOR 10MF | 10MF CAPACITOR | 1 | 1 | 1 | 1 | 1 | 1 | 1 | 1 | | | C-3287 | |
| 4 | 12043287 | MOTOBOMBA 590KW 50Hz | WASHIG PUMP 590KW 50Hz | 1 | 1 | 1 | 1 | 1 | 1 | 1 | 1 | | | C-3287 | |
| 4 | 12102834 | MOTOBOMBA 590KW 60Hz | WASHIG PUMP 590KW 60Hz | 1 | 1 | 1 | 1 | 1 | 1 | 1 | 1 | | | C-3287 | |
| 30 | 12024216 | DOSIFIC. DGTE REGULABLE G300 | REGUL. DETERG. DISPENSER G300 | - | 1 | - | 1 | - | 1 | - | 1 | | | C-3287 | |
| 5 | 12115471 | MANGUERA DESAGÜE | DRAINING PIPE | 1 | 1 | - | - | 1 | 1 | - | - | | | C-3288 | |
| 5 | 12023666 | MANGUERA DESAGÜE | DRAINING PIPE | - | - | 1 | 1 | - | - | 1 | 1 | | | C-3289 | |
| 8 | 12094265 | BOMBA DESAGÜE | DRAINING PUMP | - | - | 1 | 1 | - | - | 1 | 1 | | | C-3289 | |
| 1 | 12045206 | DOSIFICADOR ABRILL. AQUA | AQUA RINSE AID DISPENSER | 1 | 1 | 1 | 1 | 1 | 1 | 1 | 1 | | | C-3290 | |
| 3 | 12095427 | E.V SIMPLE 220V SALIDA A 90º | SIMPLE E.V 90º EXIT | 1 | 1 | 1 | 1 | 1 | 1 | 1 | 1 | | | C-3290 | |
| 1 | 12040858 | TERMOSTATO REGULABLE 85°C | REGULABLE THERMOSTAT 85°C | 2 | 2 | 2 | 2 | 2 | 2 | 2 | 2 | | | C-3291 | |
| 2 | 12098745 | RESISTENCIA CALDERIN 6KW | BOILER'S RESISTOR 6KW | 1 | 1 | 1 | 1 | 1 | 1 | 1 | 1 | | | C-3291 | |
| 3 | 12096597 | TERM.SEG. 261B 110°C FAST 90 | SAFETY THER. 261B 110°C FAST 90 | 2 | 2 | 2 | 2 | 2 | 2 | 2 | 2 | | | C-3291 | |
| 5 | 12093146 | CAMPANA TANQUE | TUB'S PRESSURE CHAMBER | 1 | 1 | 1 | 1 | 1 | 1 | 1 | 1 | | | C-3291 | |
| 6 | 12048965 | RESISTENCIA TANQUE 2800W | TUB'S RESISTOR 2800W | 1 | 1 | 1 | 1 | 1 | 1 | 1 | 1 | | | C-3291 | |
| 7 | 12092556 | EMBELLECEDOR CO-501 | CO-501 STICKER | 1 | 1 | 1 | 1 | 1 | 1 | 1 | 1 | | | C-3291 | |
| 8 | 12115972 | CONJUNTO MANDO CONCEPT | CONCEPT KNOB ASSEMBLED | 1 | 1 | 1 | 1 | 1 | 1 | 1 | 1 | | | C-3291 | |
| 10 | 12024011 | CONTACTOR 230 V. 50-60 HZ | 230 V. 50-60 HZ CONTACTOR | 3 | 3 | 3 | 3 | 3 | 3 | 3 | 3 | | | C-3291 | |
| 11 | 12096970 | PRESOSTATO 1,40-6,30 BAR SIMPLE | 1,40-6,30 BAR PRESSURE SWITCH | 1 | 1 | 1 | 1 | 1 | 1 | 1 | 1 | | | C-3291 | |
| 13 | 12096968 | PRESOSTATO 1,40-6,30 BAR SIMPLE | 1,40-6,30 BAR PRESSURE SWITCH | 1 | 1 | 1 | 1 | 1 | 1 | 1 | 1 | | | C-3291 | |
| 14 | 12024445 | CONMUTADOR DE FUNCIONES | SWITCH FOR FUNCTIONS | 1 | 1 | 1 | 1 | 1 | 1 | 1 | 1 | | | C-3291 | |
| 17 | 12023706 | RELE 230V. 16A 50-60 HZ | 230V. 16A 50-60 HZ RELAY | 1 | 1 | 1 | 1 | 1 | 1 | 1 | 1 | | | C-3291 | |
| 19 | 12024477 | INTERRUPTOR MAGNETICO | MAGNETIC SWITCH | 1 | 1 | 1 | 1 | 1 | 1 | 1 | 1 | | | C-3291 | |
| 20 | 12110686 | SOFT START AF | SOFT START AF | 1 | 1 | 1 | 1 | 1 | 1 | 1 | 1 | | | C-3291 | |
| 25 | 12115383 | PULSADOR 220V AC 5A 1VIA 1POS | 220V AC 5A 1WAY 1POS PUSHBUTTON | 1 | 1 | 1 | 1 | 1 | 1 | 1 | 1 | | | C-3291 | |
| 26 | 12092150 | PROGRAMADOR 230V AC 50Hz 5LEV | PROGRAMMER 230 AC 50Hz 16A 5LEV | 1 | 1 | 1 | 1 | 1 | 1 | 1 | 1 | | | C-3291 | |
| 29 | 12010051 | JUNTA TORICA RESIST. CALDERIN | BOILER'S RESISTOR'S O-RING | 1 | 1 | 1 | 1 | 1 | 1 | 1 | 1 | | | C-3291 | |
| | | | | | | | | | | | | | | | |
| | | | | | | | | | | | | | | | |
| | | | | | | | | | | | | | | | |
| | | | | | | | | | | | | | | | |
| | | | | | | | | | | | | | | | |

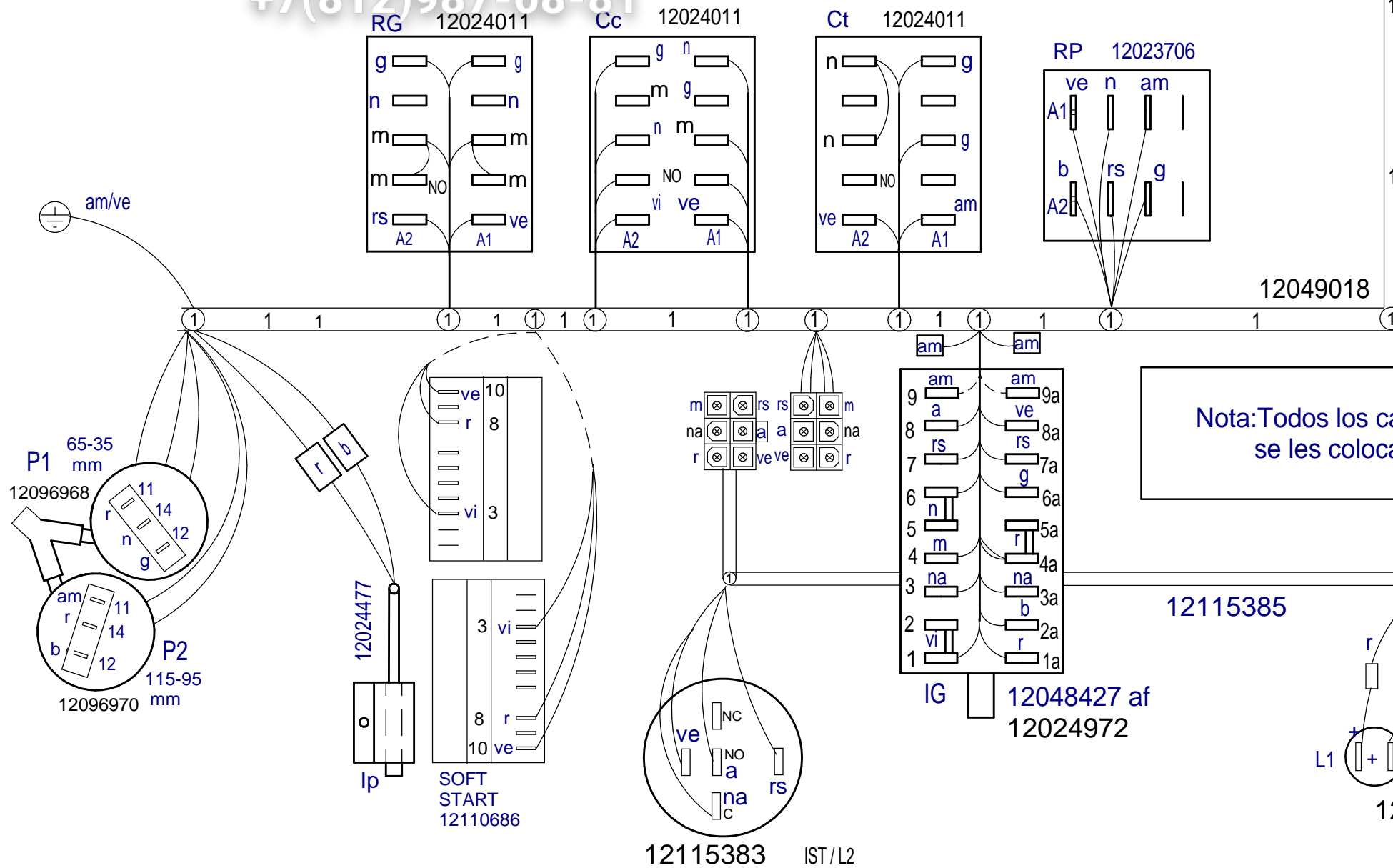
| ZONA / ZONE | | RECOMENDADOS / RECOMMENDED | | | | | LÁMINA / DRAWING | | | | | FAGOR  | |
|-------------|-------------------------|---------------------------------|---------------------------------|----------------|--|--|------------------|--|--|--|-------------------------|---|---------------|
| ITEM | REFERENCIA REFERENCE | DENOMINACIÓN | DENOMINATION | CO-501 SOFT | | | | | | | ELIMINADO ELIMINATED | INTRODUCIDO INTRODUCED | NOTAS / NOTES |
| 1 | 12024376 | CONDENSADOR 10MF | 10MF CAPACITOR | 1 | | | | | | | | | C-3287 |
| 4 | 12043287 | MOTOBOMBA 590KW 50Hz | WASHIG PUMP 590KW 50Hz | 1 | | | | | | | | | C-3287 |
| 4 | 12102834 | MOTOBOMBA 590KW 60Hz | WASHIG PUMP 590KW 60Hz | 1 | | | | | | | | | C-3287 |
| 5 | 12115471 | MANGUERA DESAGÜE | DRAINING PIPE | 1 | | | | | | | | | C-3288 |
| 1 | 12045206 | DOSIFICADOR ABRILL. AQUA | AQUA RINSE AID DISPENSER | 1 | | | | | | | | | C-3290 |
| 2 | 12110531 | E.V.DOUBLE 220/240V 50/60Hz | DOUBLE EV 220/240V 50/60Hz | 2 | | | | | | | | | C-3290-1 |
| 13 | 12044603 | DESCALCIFICADOR COMPLETO | COMPLETE SOFTENER | 1 | | | | | | | | | C-3290-1 |
| 1 | 12040858 | TERMOSTATO REGULABLE 85°C | REGULABLE THERMOSTAT 85°C | 2 | | | | | | | | | C-3291 |
| 2 | 12098745 | RESISTENCIA CALDERIN 6KW | BOILER'S RESISTOR 6KW | 1 | | | | | | | | | C-3291 |
| 3 | 12096597 | TERM_SEG_261B_110°C_FAST_90 | SAFETY THER. 261B_110°C_FAST_90 | 2 | | | | | | | | | C-3291 |
| 5 | 12093146 | CAMPANA TANQUE | TUB'S PRESSURE CHAMBER | 1 | | | | | | | | | C-3291 |
| 6 | 12048965 | RESISTENCIA TANQUE 2800W | TUB'S RESISTOR 2800W | 1 | | | | | | | | | C-3291 |
| 7 | 12092560 | EMBELLECEDOR CO-501 SOFT | CO-501 SOFT STICKER | 1 | | | | | | | | | C-3291 |
| 8 | 12115972 | CONJUNTO MANDO CONCEPT | CONCEPT KNOB ASSEMBLED | 1 | | | | | | | | | C-3291 |
| 10 | 12024011 | CONTACTOR 230 V. 50-60 HZ | 230 V. 50-60 HZ CONTACTOR | 3 | | | | | | | | | C-3291 |
| 11 | 12096970 | PRESOSTATO 1,40-6,30 BAR SIMPLE | 1,40-6,30 BAR PRESSURE SWITCH | 1 | | | | | | | | | C-3291 |
| 13 | 12096968 | PRESOSTATO 1,40-6,30 BAR SIMPLE | 1,40-6,30 BAR PRESSURE SWITCH | 1 | | | | | | | | | C-3291 |
| 14 | 12024445 | CONMUTADOR DE FUNCIONES | SWITCH FOR FUNCTIONS | 1 | | | | | | | | | C-3291 |
| 15 | 12024867 | PROGRAMADOR REGENERACION | REGENERATION PROGRAMMER | 1 | | | | | | | | | C-3291 |
| 17 | 12023706 | RELE 230V. 16A 50-60 HZ | 230V. 16A 50-60 HZ RELAY | 1 | | | | | | | | | C-3291 |
| 19 | 12024477 | INTERRUPTOR MAGNETICO | MAGNETIC SWITCH | 1 | | | | | | | | | C-3291 |
| 20 | 12110686 | SOFT START AF | SOFT START AF | 1 | | | | | | | | | C-3291 |
| 25 | 12115383 | PULSADOR 220V AC 5A 1VIA 1POS | 220V AC 5A 1WAY 1POS PUSHBUTTON | 1 | | | | | | | | | C-3291 |
| 26 | 12092150 | PROGRAMADOR 230V AC 50Hz 5LEV | PROGRAMMER 230 AC 50Hz 16A 5LEV | 1 | | | | | | | | | C-3291 |
| 29 | 12010051 | JUNTA TORICA RESIST. CALDERIN | BOILER'S RESISTOR'S O-RING | 1 | | | | | | | | | C-3291 |
| | | | | | | | | | | | | | |
| | | | | | | | | | | | | | |
| | | | | | | | | | | | | | |
| | | | | | | | | | | | | | |
| | | | | | | | | | | | | | |
| | | | | | | | | | | | | | |

Зип Общепит

vsezip.ru

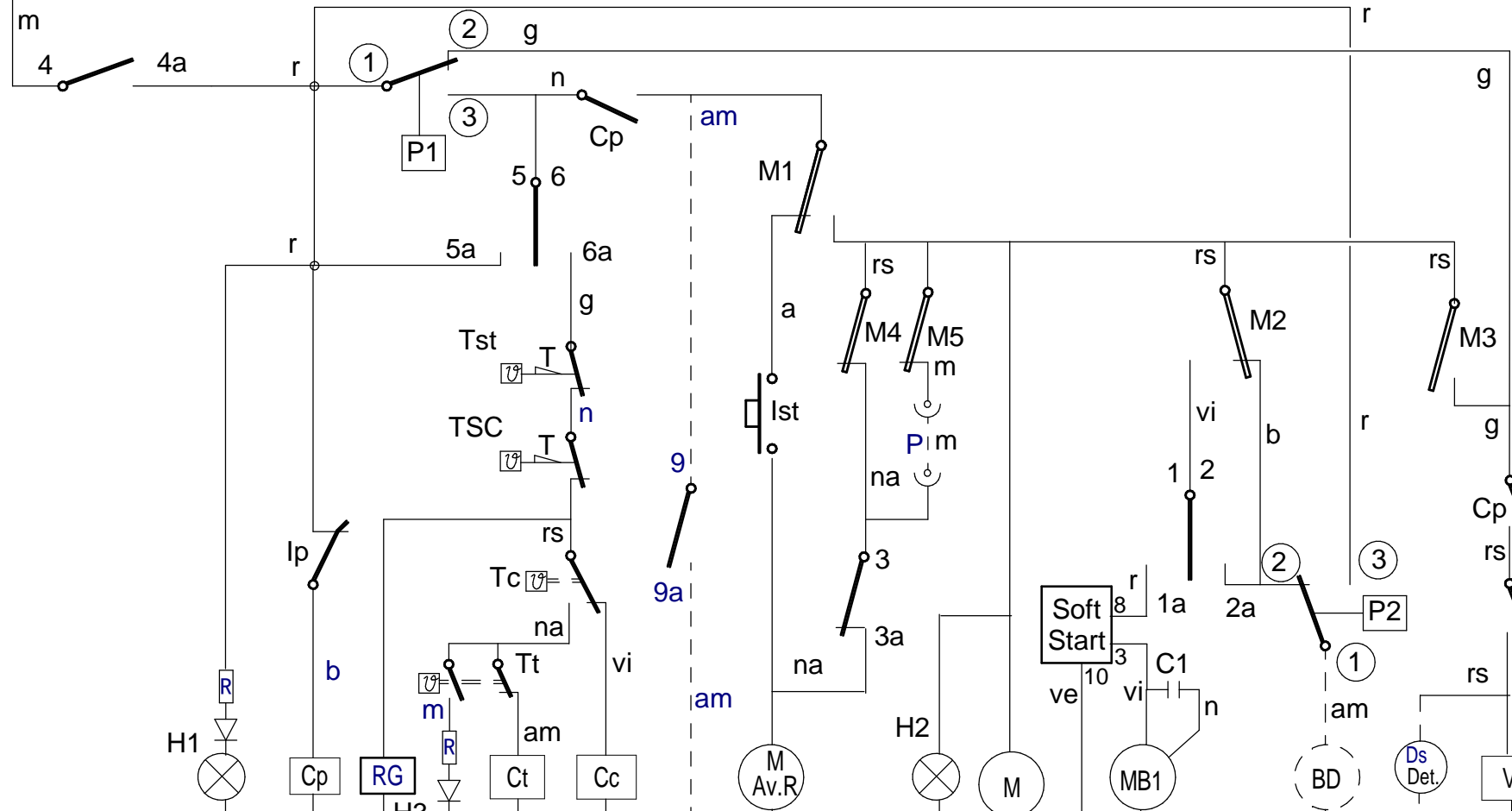
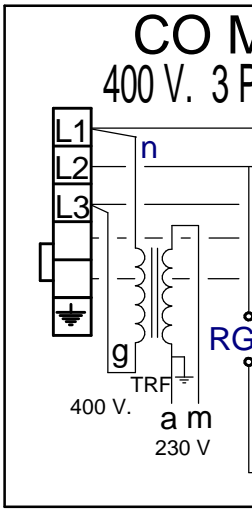
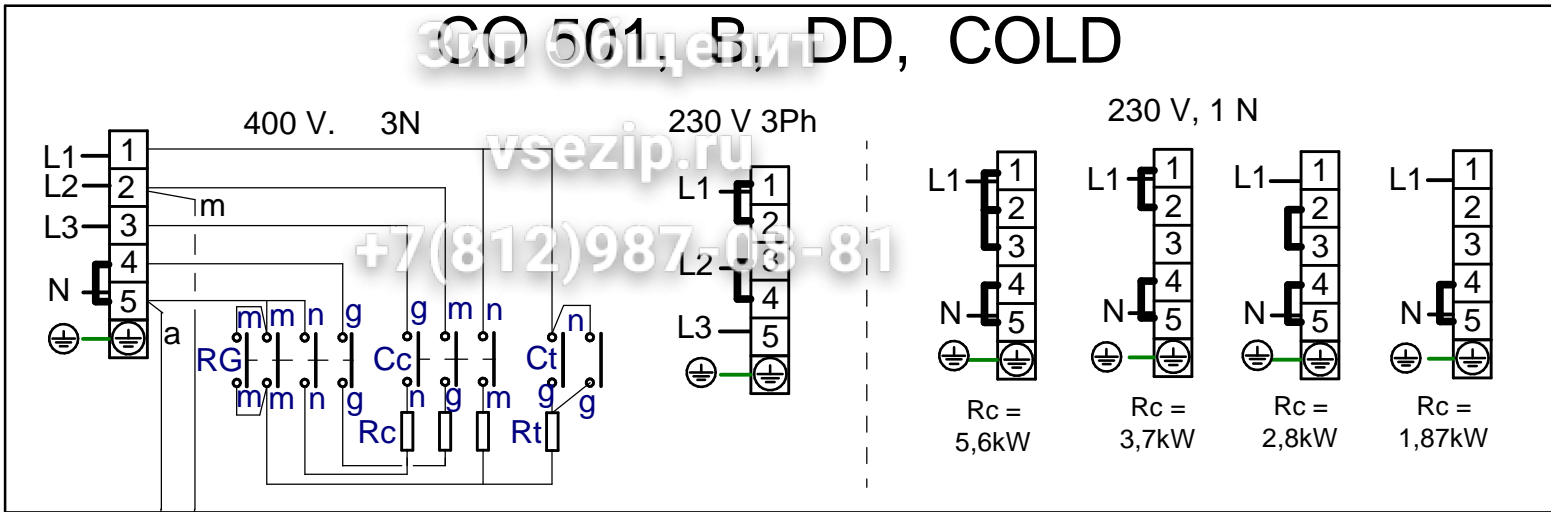
+7(812)987-08-81

CO 501



CO 501, В, DD, COLD

vsezip.ru
+7(812)987-08-81



Вип Общепит

LEYENDA APERTURA FRONTAL Y CAPOTA

| | ESPAÑOL | ENGLISH | FRANÇAIS | DEUTSCH | ITALIANO | 中文 |
|-------------------|-----------------------------------|------------------------------|---------------------------------|---|---|------------|
| Ⓐ Ⓑ | Puntos de conexión con R | Conection point with P | Points de connexion R | Anschlußpunkte mit R | Punti di collegamento con R | 帶R接點 |
| BA | Bomba Aclarado | Rinse pump | | | | |
| BD | Bomba desagüe | Drain pump | Pompe de vidange | Abflußpumpe | Pompa scarico | 排水泵 |
| C1, C2, C3 | Condensador | Condenser | Condensateur | Kondensator | Condensatore | 電容 |
| CMB | Contacto bomba lavado | Wash pump contactor | Contacteur pompe lavage | Türrelais | Contactore pompa lavaggio | 清洗泵接觸器 |
| Cc | Contacto calentamiento calderin | Boiler heating contactor | Contacteur chauff. surchauffeur | Kontaktschütz Waschpumpe | Contactore riscaldamento boiler | 升溫箱加熱接觸器 |
| Ct | Contacto calentamiento tanque | Tank heating contactor | Contacteur chauffage cuve | Kontaktschütz Boilerheizung | Contactore riscaldamento serbatoio | 水箱加熱接觸器 |
| CP | Rele puerta | Door relay | Relais porte | Kontaktschütz Heizung Tank | Rele porta | 門繼電器 |
| Ds. | Dosificador | Detergent doser | Dosseur | Dosierer Spülmittel | Dosatore detersivo | 清洗劑液泵 |
| E.B | Electrobomba de presion | Electric pressure pump | Electropompe de pression | Elektro-Drucksteigerungspumpe | Electropompa pressione | 電子壓力泵 |
| IG | Interruptor general | Main switch | Interrupteur general | Hauptschalter | Interruttore generale | 主開關 |
| IP | Micro puerta | Door microswitch | Micro porte | Mikroschalter Tür | Micro porta | 門磁開關 |
| H1 | Piloto de encendido | Operation light | Voyant fonctionnement | Betriebsanzeigelampe | Spia accensione | 運行指示燈 |
| H2 | Piloto marcha | Start light | Voyant demarrage | Startanzeigelampe | Spia avvio | 開始指示燈 |
| H3 | Piloto maquina preparada | Light machine ready | Voyant machine prêt | Betriebsbereitschaftsanzeigelampe | Pilota macchina preparata | 加熱完成指示燈 |
| HSal | Piloto falta de Sal | Light Lack of Salt | | | | |
| MB1, MB2 | Bomba lavado | Wash pump | Pompe lavage | Waschpumpe | Pompa lavaggio | 清洗泵 |
| M | Motor programador | Motor programmer | Moteur du programmeur | Motor Programmiervorrichtung | Motore programmatore | 程序電機 |
| M Av. R | Motor program. avance rapido | Motor program. rapid advance | Moteur du progr.avance rapide | Motor Programmiervorrich. Betrieb | Motore programmatore avanzamento rapido | 程序電機 高速高級 |
| M1 | Micro programador marcha | Micro programmer on | Micro du programm. de marche | Motor Programmiervorrich. Waschen | Micro programma. di funzionamento | 微程序 開 |
| M2 | Micro programador lavado | Micro programmer wash | Micro du programm. de lavage | Motor Programmiervorrich. Spülen | Micro programmatore di lavaggio | 微程序 清洗 |
| M3 | Micro programador aclarado | Micro programmer rinse | Micro du programm. de rinçage | Motor Programmiervorrich. Vorlauf | Micro programmatore di risciacquo | 微程序 噴淋 |
| M4, M5 | Micro programador avance | Micro programmer advance | Micro du programm. avance | Motor Programmiervorrich. schneller Vorlauf | Micro programmatore avanzamento | 微程序 高級 |
| P1, P3 | Presostato | Pressure switch | Pressostat | Druckwächter | Pressostato | 壓力開關 |
| P2 | Presostato limitador | Hi-limit pressure switch | Pressostat de sécurité | Begrenzer Druckwächter | Pressostato limitatore | 高水位限制 壓力開關 |
| R | Rele de Generador de A.C. | Generator relay | Relais du Generateur | Relais Generator | Rele Generatore | 熱水供應器繼電器 |
| RG | Rele General | Main Relay | | Stromversorgungsanschluß Gener. | | |
| (1) (2) (3) (N) | Alimentac. Generador A.C. | Water heater feeding | Alimentation generateur | | Alimentazione generatore | 熱水供應器電源線 |
| RC | Resistencia calderin | Boiler heating element | Resistance surchauffeur | Heizwiderstand Boiler | Resistenza boiler | 升溫箱加熱管 |
| RT | Resistencia tanque | Tank heater | Resistance cuve | Heizwiderstand Tank | Resistenza serbatoio | 水箱加熱管 |
| Tt | Termostato tanque | Tank thermostat | Thermostat de cuve | Thermostat Tank | Termostato serbatoio | 水箱溫控器 |
| TC | Termostato calderin | Boiler thermostat | Thermostat surchauffeur | Thermostat kessel | Termostato boiler | 升溫箱溫控器 |
| Tst | Limitador tanque | Tank limiter | Limiteur de cuve | Begrenzer Tank | Limitatore serbatoio | 水箱安全溫控器 |
| TSC | Limitador calderin | Boiler Hi-limit | Limiteur surchauffeur | Begrenzer Boiler | Limitatore boiler | 升溫箱安全溫控器 |
| TSTP | Termostato termo-stop | Termo-stop Thermostat | Thermostat Thermo-stop | Thermostat Thermo-stop | Termostato Thermo-stop | 溫度停止溫控器 |
| V | Electrovalvula llenado y aclarado | Fill and rinse valve | Electrovan. remplissage rinçage | Elektroventil Füllen und Spülen | Elettrovalv. riempimento e risciacquo | 電磁閥 |
| Vf | Electrovalvula Aclarado Frio | Cold Water rinse valve | | | | |
| VR1, VR2, VR3, BR | Electrovalvula Descalcificacion | Soft Water valve | | | | |
| VE | Ventilador cuadro electrico | Switchboard fan | Ventilateur tableau électrique | Schalttafelventilator | Ventilatore quadro elettrico | 風機 |
| HRS | Sistema recuperacion energia | Heat Recovery System | | | | |
| | | | | | | |
| | | | | | | |
| | | | | | | |
| | | | | | | |
| COLOR | COLORES | COLOUR | COULEURS | FARBEN | COLORE | 顏色 |
| a = BLU = | Azul | Blue | Bleu | Blau | Blu | 藍 |
| am = YEL = | Amarillo | Yellow | Jaune | Gelb | Giallo | 黃 |
| am/ve = YEL/GRN | Amarillo/verde | Yellow / green | Jaune / vert | Gelb/grün | Giallo/verde | 黃/綠 |
| b = WHT = | Blanco | White | Blanc | Weiß | Bianco | 白 |
| g = GRY = | Gris | Grey | Gris | Grau | Grigio | 灰 |
| m = BRN = | Marrón | Brown | Marron | Braun | Marrone | 棕 |
| n = BLK = | Negro | Black | Noir | Schwarz | Nero | 黑 |
| na = ORG = | Naranja | Orange | Orange | Orange | Arancio | 橙 |
| r = RED = | Rojo | Red | Rouge | Rot | Rosso | 紅 |
| rs = PNK = | Rosa | Pink | Rose | Rosa | Roseo | 粉 |
| ve = GRN = | Verde | Green | Vert | Grün | Verde | 綠 |
| vi = PRP = | Violeta | Purple | Violet | Violett | Viola | 紫 |

12103338