



SD 40

SD 60

"F" SERIES

R 134 A VERSION

**SPARE PARTS LIST
CATALOGO RICAMBI
CATALOGUE PIÈCES DÉTACHÉES
ERSATZTEILENKATALOG**

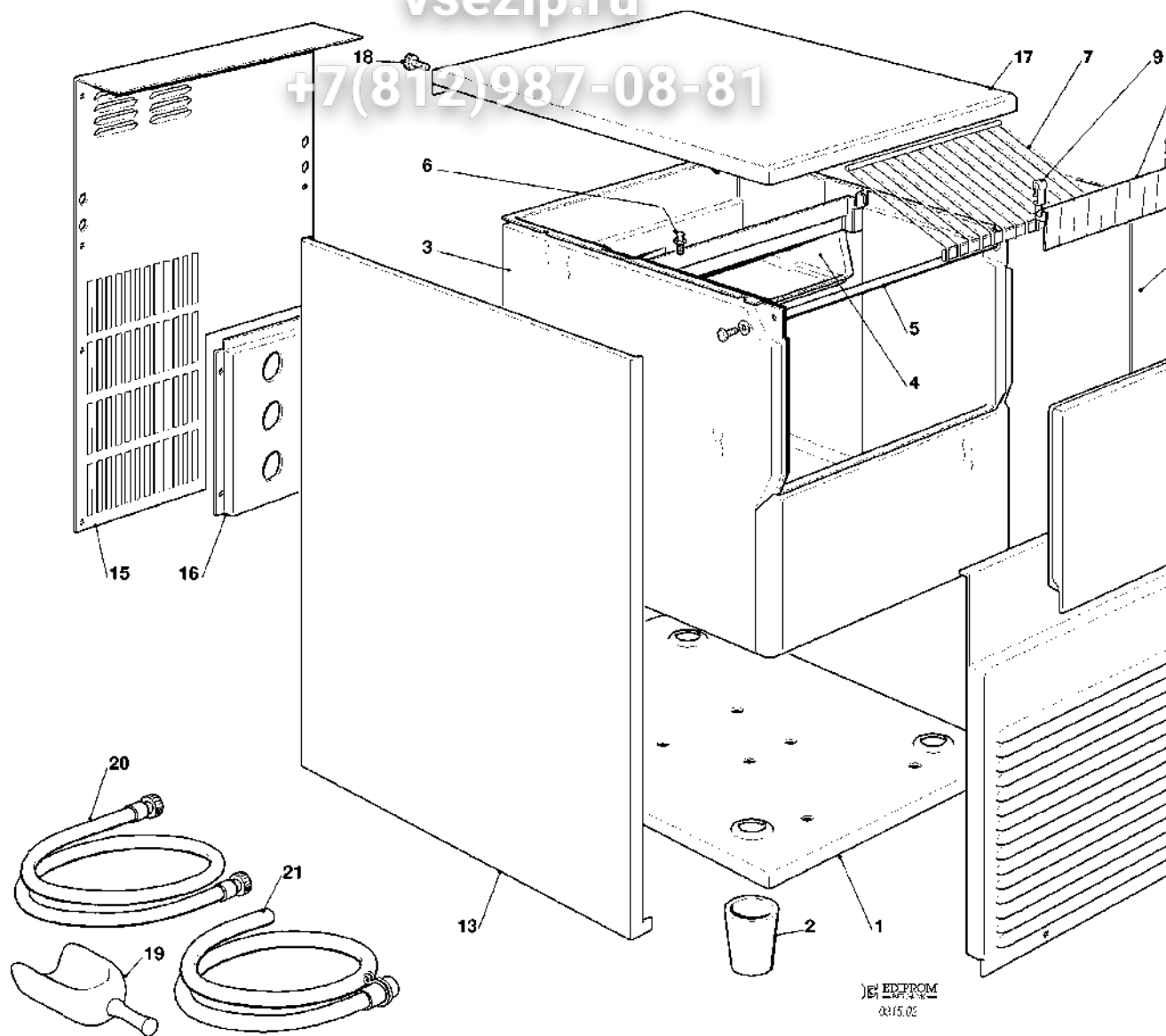
Зип Общепит

| PAGE PAGINA PAGE SEITE | TABLE OF CONTENTS | vsezip.ru INDICE +7(812)987-08-81 | TABLE DES MATIÈRES | |
|---------------------------------|---|---|--|----------------------|
| 1 | TABLE OF CONTENTS | INDICE | TABLE DES MATIÈRES | INHALTVER |
| 2-3 | UNIT PANELS | ASSIEME MOBILE | ENS. CARROSSERIE | MACHINE |
| 4-5 | REFRIGERANT SYSTEM AIR COOLED | SISTEMA REFRIGERANTE RAFFR. AD ARIA | CIRCUIT FRIGORIFIQUE REFROID. A AIR | GEFRIERS LUFTGEKÜ |
| 6-7 | REFRIGERANT SYSTEM WATER COOLED | SISTEMA REFRIGERANTE RAFFR. AD ACQUA | CIRCUIT FRIGORIFIQUE REFROID. A EAU | GEFRIERS WASSERG |
| 8-9 | WATER SYSTEM | CIRCUITO IDRAULICO | CIRCUIT HYDRAULIQUE | WASSER S |
| 10-11 | CONTROL BOX | SCATOLA DI CONTROLLO | BOITE ELECTRIQUE | SCHALTSC |
| 12 | COMPRESSON AND ELECTRIC COMPONENT CHARTS | TABELLA COMPRESSORI E COMPONENTI ELETTRICI | LISTE DES COMPRESSEURS ET COMPOSANTS ELECTRIQUE | KOMPRES TEILLISTE |

Зип Общепит

vsezip.ru

+7(812)987-08-81



Зип Общепит

SD 40 - SD 60 - UNIT PANELS - ASSIEME MOBILE - ENS. CARROSSERIE - MACHINE GEHAUS

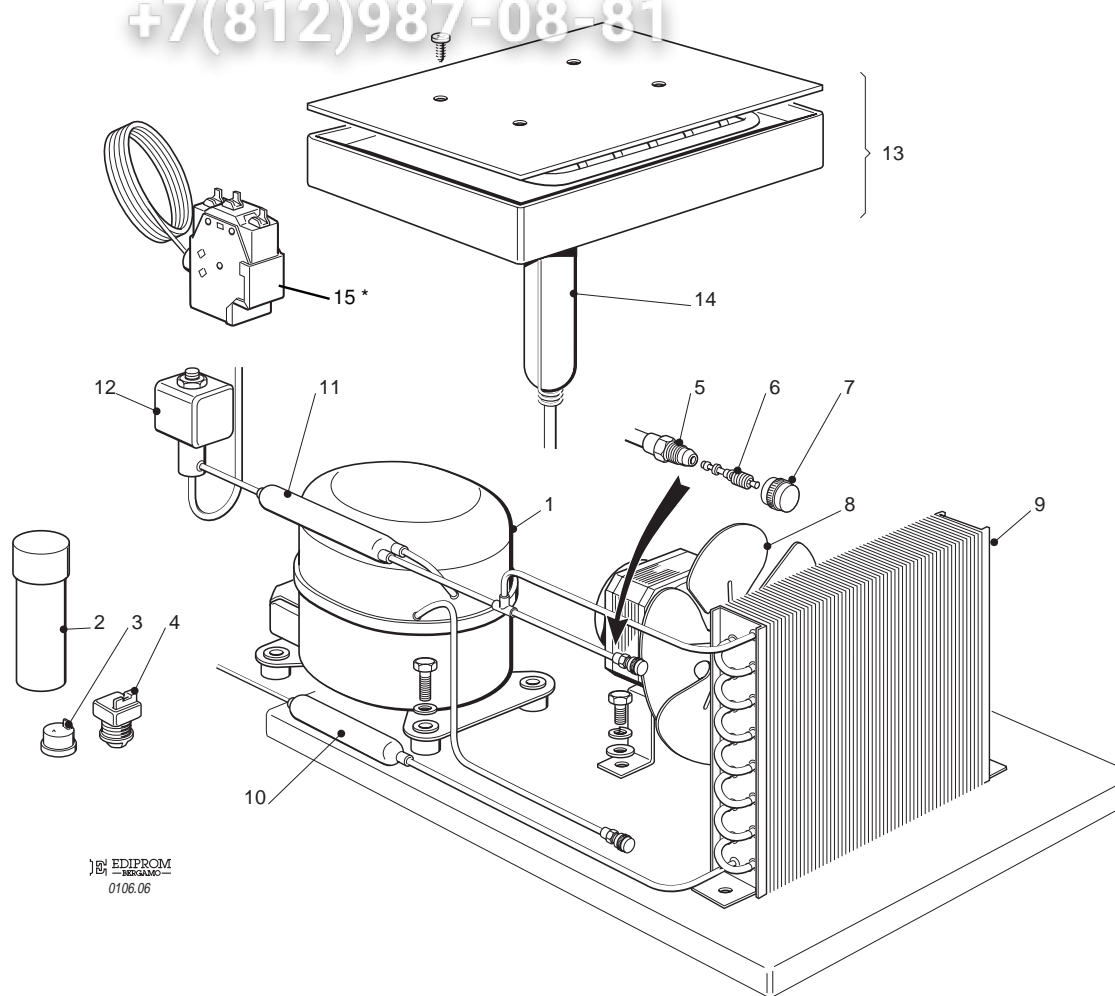
| ITEM NO POS NO REP. NO REF. NO | PART NO - CODICE REFERENCE - STUECK NR. | | DESCRIPTION | DESCRIZIONE | DESIGNATION | |
|---|--|------------|---------------------------|-----------------------------|--------------------------|-----|
| | SD 40 | SD 60 | | | | |
| 1 | 781406 08 | | BASE | PIASTRA DI BASE | PLAQUE DE BASE | GR |
| 2 | 660638 00 | | LEG | PIEDE REGOLABILE | PIED RÉGLABE | GE |
| 3 | 782094 01R | 782094 02R | INSULATED BIN ASSY | ASSIEME CELLA ISOLATA | ENS. CABINE | ISC |
| 4 | 660635 01 | | EVAPORATOR HOUSING | INVOLUCRO EVAPORATORE | CHAMBRE INTERIEUR | CE |
| 5 | 732016 08 | | BIN DOOR BRACKET | ASTA SPORTELLO | TIGE PORTE | KL |
| 6 | 650790 00 | | STUD | PERNO | AXE | ST |
| 7 | 650714 00 | | ICE DEFLECTOR | GRIGLIA SCORRIMENTO CUBETTI | GRILLE GLISSEMENT GLAÇON | AB |
| 8 | 783172 00 | | CURTAIN ASSY | ASSIEME TENDINA | ENS. LAMELLE | AB |
| 9 | 660388 00 | | RIGHT CURTAIN SUPPORT | SUPP. TENDINA DESTRO | SUPP. LAMELLE DROITE | RE |
| 10 | 660388 01 | | LEFT CURTAIN SUPPORT | SUPP. TENDINA SINISTRO | SUPP. LAMELLE GAUCHE | LIN |
| 11 | 721845 00 | 721846 00 | FRONT PANEL S.S. | PANNELLO ANTERIORE INOX | PANNEAU AVANT ACIER INOX | VO |
| 12 | 782092 06 | | BIN DOOR | SPORTELLO | PORTE CABINE | SP |
| 13 | 721842 00 | 721844 00 | LEFT SIDE PANEL S.S. | PANNELLO SINISTRO INOX | JOUE GAUCHE ACIER INOX | LIN |
| 14 | 721841 00 | 721843 00 | RIGHT SIDE PANEL S.S. | PANNELLO DESTRO INOX | JOUE DROITE ACIER INOX | RE |
| 15 | 702324 00 | 702325 00 | REAR PANEL | PANNELLO POSTERIORE | PANNEAU POSTERIEUR | HIN |
| 16 | 702301 00 | | METAL BRACKET FOR FITTING | SUPPORTO ATTACCHI | SUPPORT DE RACCORDS | ME |
| 17 | 781432 02 | | TOP PANEL S.S. | PANNELLO SUPERIORE INOX | ENS. COUVERCLE | DE |
| 18 | 650806 00 | | REAR STUD | PERNO POSTERIORE | AXE ARRIÈRE | TR |
| 19 | 650071 00 | | ICE SCOOP | SESSOLA | SASSE | EIS |
| 20 | 060513 00 | | KIT WATER SUPPLY HOSE | KIT TUBO ALIM. ACQUA | KIT TUYAU D'ALIM. EAU | WA |
| 21 | 060513 01 | | KIT WATER DRAIN HOSE | KIT TUBO SCARICO ACQUA | KIT TUYAU VIDANGE EAU | WA |
| * | 650805 00 | | SIMAG LOGO | TARGHETTA SIMAG | EMBLEME SIMAG | SIM |
| * | 650805 14 | | SD 40 LOGO | TARGHETTA SD 40 | EMBLEME SD 40 | SD |
| * | 650805 15 | | SD 60 LOGO | TARGHETTA SD 60 | EMBLEME SD 60 | SD |

Зип Общепит

vsezip.ru

+7(812)987-08-81

* only SD 60 A
solo SD 60 A



EDIPROM
0106.06

Зип Общепит

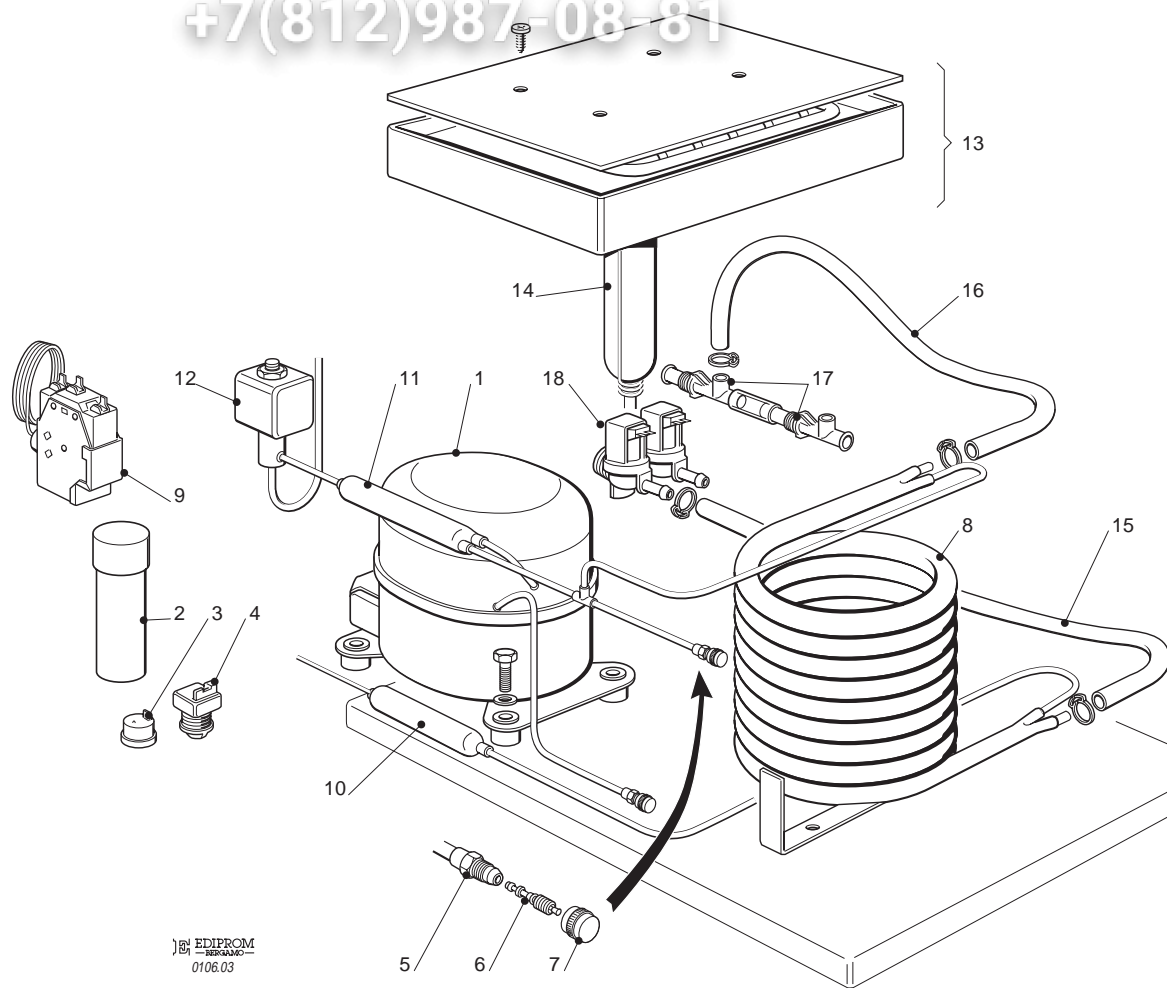
SD 40 - SD 60 - REFRIGERANT SYSTEM AIR COOLED - SISTEMA REFRIGERANTE RAFFR. AD ARIA CIRCUIT FRIGORIFIQUE REFROID. PAR AIR - LUFTGEKÜHLT GEFRIERSYSTEM

| ITEM NO POS NO REP. NO REF. NO | PART NO - CODICE REFERENCE - STUECK NR. | | DESCRIPTION | DESCRIZIONE | DESIGNATION | |
|---|--|-----------|--|---|--|------------------------|
| | SD 40 | SD 60 | | | | |
| 1 | 670100 00 | 670101 00 | COMPRESSOR | COMPRESSORE | COMPRESSEUR | KOMPRESSOR |
| 2 | 620167 29 | 620167 01 | START CAPACITOR | CONDENSATORE D'AVVIAMENTO | CAPACITE DE DEMARRAGE | STARTKAPAZITÄT |
| 3 | 620058 69 | 620058 77 | PROTECTOR | PROTETTORE | PROTECTEUR | SCHUTZBLECH |
| 4 | 620057 31 | 620057 42 | RELAY | RELÈ | RELAIS | RELÄ |
| 5 | 650109 00 | | VALVE BODY | CORPO VALVOLA | CORPS DE VANNE | VENTILKÖRPER |
| 6 | 670012 00 | | VALVE PISTON | PISTONCINO VALVOLA | PISTON | VENTILKLEIN |
| 7 | 650106 00 | | VALVE CAP | CAPPUCCIO VALVOLA | CAPUCHON DE VANNE | VENTILKAPPEL |
| 8 | 620419 02 620419 32 | 620419 33 | FAN MOTOR FAN BLADE | MOTOVENTILATORE VENTOLA | MOTO-VENTILATEUR HELICE | LÜFTMOTOR LÜFTBLATT |
| 9 | 620420 00 | 620439 00 | AIR COOLED CONDENSER | CONDENSATORE AD ARIA | CONDENSEUR | KÜHLKONDENSATOR |
| 10 | 630003 05 | | DRIER | FILTRO DEUMIDIFICATORE | FILTRE DESHYDRATEUR | TROCKENMittel |
| 11 | 630137 00 | 630137 01 | MECHANICAL FILTER | FILTRO MECCANICO | FILTRE MECANIQUE | Mechanischer Filter |
| 12 | 620306 48 620306 27 | | HOT GAS VALVE COIL HOT GAS VALVE BODY | BOBINA VALVOLA GAS CALDO CORPO VALVOLA GAS CALDO | BOBINE VANNE GAZ CHAUDS CORP VANNE GAZ CHAUDS | HEIßGASVENTILKÖRPER |
| 13 | 784480 00 | 784480 01 | EVAPORATOR ASSY | ASSIEME EVAPORATORE | ENS. EVAPORATEUR | Verdampfer |
| 14 | 784444 03 | 784444 05 | ACCUMULATOR ASSY | ASSIEME ACCUMULATORE | ENS. ACCUMULATEUR | Sammelbehälter |
| 15 | - | 620075 00 | PRESSURE CONTROL | PRESSOSTATO | PRESSOSTAT | Druckfühler |
| | | | | | | |

Зип Общепит

vsezip.ru

+7(812)987-08-81



Зип Общепит

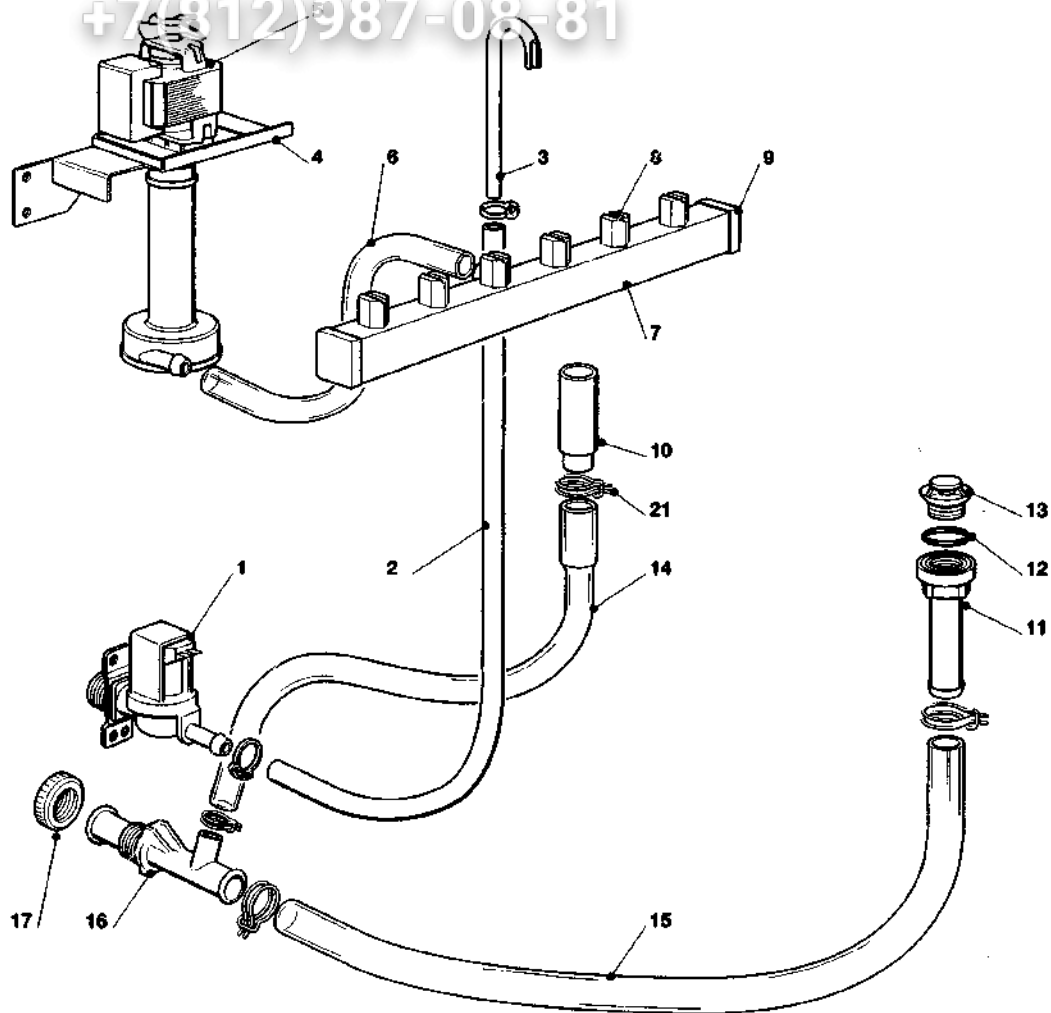
SD 40 - SD 60 - REFRIGERANT SYSTEM WATER COOLED - SISTEMA REFRIGERANTE RAFFR. AD CIRCUIT FRIGORIFIQUE REFROID. PAR EAU - WASSERGEKÜHLT GEFRIERSYSTEM

| ITEM NO POS NO REP. NO REF. NO | PART NO - CODICE REFERENCE - STUECK NR. | | DESCRIPTION | DESCRIZIONE | DESIGNATION | |
|---|--|-----------|--|---|--|----------|
| | SD 40 | SD 60 | | | | |
| 1 | 670100 00 | 670101 00 | COMPRESSOR | COMPRESSORE | COMPRESSEUR | KO |
| 2 | 620167 29 | 620167 01 | START CAPACITOR | CONDENSATORE D'AVVIAMENTO | CAPACITE DE DEMARRAGE | STA |
| 3 | 620058 69 | 620058 77 | PROTECTOR | PROTETTORE | PROTECTEUR | SC |
| 4 | 620057 31 | 620057 42 | RELAY | RELÈ | RELAIS | RE |
| 5 | 650109 00 | | VALVE BODY | CORPO VALVOLA | CORPS DE VANNE | VE |
| 6 | 670012 00 | | VALVE PISTON | PISTONCINO VALVOLA | PISTON | VE |
| 7 | 650106 00 | | VALVE CAP | CAPPUCCIO VALVOLA | CAPUCHON DE VANNE | VE |
| 8 | 620389 00 | | WATER COOLED CONDENSER | CONDENSATORE ACQUA | CONDENSEUR A EAU | WA |
| 9 | 620075 00 | | PRESSURE CONTROL | PRESSOSTATO | PRESSOSTAT | PR |
| 10 | 630003 05 | | DRIER | FILTRO DEUMIDIFICATORE | FILTRE DESHYDRATEUR | TR |
| 11 | 630137 00 | 630137 01 | MECHANICAL FILTER | FILTRO MECCANICO | FILTRE MECANIQUE | ME |
| 12 | 620306 48 620306 27 | | HOT GAS VALVE COIL HOT GAS VALVE BODY | BOBINA VALVOLA GAS CALDO CORPO VALVOLA GAS CALDO | BOBINE VANNE GAZ CHAUDS CORP VANNE GAZ CHAUDS | HE VE |
| 13 | 784480 00 | 784480 01 | EVAPORATOR ASSY | ASSIEME EVAPORATORE | ENS. EVAPORATEUR | VE |
| 14 | 784444 03 | 784444 05 | ACCUMULATOR ASSY | ASSIEME ACCUMULATORE | ENS. ACCUMULATEUR | SAR |
| 15 | 281900 01 | | PLASTIC TUBE - PER METER | TUBO PVC - PER METRO | TUYAU EN PLASTIQUE - POUR MT. | PLA |
| 16 | 281900 01 | | PLASTIC TUBE - PER METER | TUBO PVC - PER METRO | TUYAU EN PLASTIQUE - POUR MT. | PLA |
| 17 | 660224 00 | | WATER DRAIN FITTING | RACCORDO SCARICO ACQUA | RACCORD EVACUATION EAU | WA |
| 18 | 650105 51 | | WATER INLET VALVE | ELETTRIVALVOLA DOPPIA | VANNE ARRIVÉE EAU | EL |
| | | | | | | |

Зип Ощепит

vsezip.ru

+7(812)987-08-81



Зип Общепит

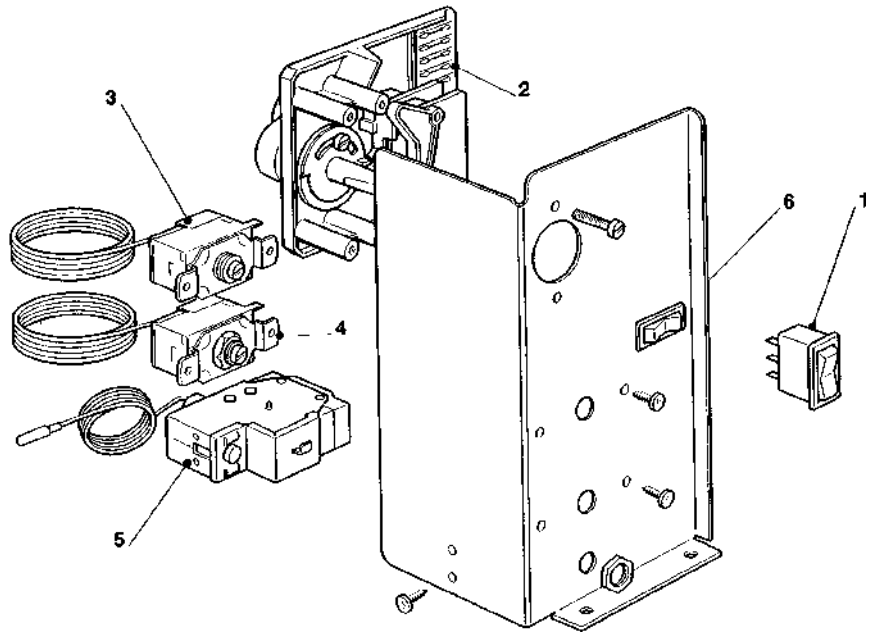
SD 40 - SD 60 - WATER SYSTEM - CIRCUITO IDRAULICO - CIRCUIT HYDRAULIQUE - WASSERSYSTEM

| ITEM NO POS NO REP. NO REF. NO | PART NO - CODICE REFERENCE - STUECK NR. | | DESCRIPTION | DESCRIZIONE | DESIGNATION | |
|---|--|-----------|--|---|--|----------|
| | SD 40 | SD 60 | | | | |
| 1 | 650105 50 650105 51 | | WATER INLET VALVE - AIR COOLED WATER INLET VALVE - WATER COOLED | VALVOLA INGR. ACQUA - RAFF. ARIA VALVOLA INGR. ACQUA - RAFF. ACQUA | VANNE ARRIVEE EAU - REFR. AIR VANNE ARRIVEE EAU - REFR. EAU | WA WA |
| 2 | 281900 01 | | PLASTIC TUBE - PER METER | TUBO INGRESSO ACQUA | TUYAU EN PLASTIQUE - POUR MT. | PLA |
| 3 | 734683 00 | | WATER INLET COPPER PIPE | TUBO RAME INGR. ACQUA | TUYAU ENTREE EAU CUIVRE | WA |
| 4 | 724333 00 | | METAL BRACKET | SUPPORTO POMPA INOX | SUPPORT METALLIQUE | ME |
| 5 | 620433 00 | | WATER PUMP | POMPA | POMPE A EAU | WA |
| 6 | 610150 03 | | PUMP INLET WATER PIPE | TUBO MANDATA POMPA | TUYAU DE REFOULEMENT POMPE | PU |
| 7 | 650665 19 | 650665 20 | SPRAY BAR | TUBO SPRUZZATORE | COLLECTEUR | KO |
| 8 | 660558 00 (8 x SD 40 / 10 x SD 60) | | SPRAY JET | SPRUZZATORI | GICLEURS | SPR |
| 9 | 660557 00 | | PLUG | UGELLO SPRUZZATORE | BOUCHON POUR COLLECTEUR | STO |
| 10 | 660698 02 | | OVERFLOW STAND PIPE | TUBO DI TROPPO PIENO | TROP PLEIN | UE |
| 11 | 660219 01 | | DRAIN FITTING | SCARICO CELLA | TUYAU EVACUATION | ABI |
| 12 | 640134 00 | | O RING | O-RING | JOINT TORIQUE | SIM |
| 13 | 660211 01 | | DRAIN FILTER | FILTRO SCARICO CELLA | FILTRE CABINE STOCKAGE | BEI |
| 14 | 610191 01 | | OVERFLOW DRAIN TUBE | TUBO SCARICO TROPPI PIENO | TUYAU VIDANGE TROP PLAIN | BEI |
| 15 | 610148 20 | | STORAGE BIN DRAIN TUBE | TUBO SCARICO CONTENITORE | TUYAU VIDANGE CONTENEUR | BEI |
| 16 | 660224 00 | | WATER DRAIN FITTING | RACCORDO A "T" | RACCORD EVACUATION EAU | WA |
| 17 | 660535 00 | | PLASTIC RING NUT | GHIERA | COLLIER DE SERRAGE EN PLAST. | PLA |
| | | | | | | |

Зип Общепит

vsezip.ru

+7(812)987-08-81



Зип Общепит

SD 40 - SD 60 - CONTROL BOX - SCATOLA DI CONTROLLO - BOITE ELECTRIQUE - SCHALTSCH

| ITEM NO POS NO REP. NO REF. NO | PART NO - CODICE REFERENCE - STUECK NR. | | DESCRIPTION | DESCRIZIONE | DESIGNATION | |
|---|--|-------|-----------------------|-------------------------|------------------------|-----|
| | SD 40 | SD 60 | | | | |
| 1 | 620453 | 00 | SWITCH | INTERRUTTORE LUMINOSO | INTERRUPTEUR LUMINEUX | SC |
| 2 | 620441 | 00 | TIMER | TIMER | MINUTERIE | TIM |
| 3 | 620209 | 00 | BIN THERMOSTAT | TERMOSTATO CONTENITORE | THERMOSTAT CONTENEUR | BE |
| 4 | 620201 | 01 | EVAPORATOR THERMOSTAT | TERMOSTATO EVAPORATORE | THERMOSTAT EVAPORATEUR | VE |
| 5 | 620443 | 02 | THERMOSTAT - SAFETY | TERMOSTATO DI SICUREZZA | THERMOSTAT DE SECURITÉ | SIC |
| 6 | 620442 | 02 | SWITCH | COMMUTATORE UNIPOLARE | INTERRUPTEUR | UM |
| | | | | | | |

Зип Общепит

vsezip.ru

SD 40 - SD 60 - COMPRESSOR CHART - TABELLA COMPRESSORI - TABLEAU COMPRESSEUR - KOMPR

| MODEL MODELLO MODELE MODELL | VOLTS TENSIONE TENSION SPANNUNG | COMPRESSOR MODEL MOD. COMPRESSORE TYPE COMPRESSEUR KOMPRESSOR TYP | COMPRESSOR COMPRESSORE COMPRESSEUR KOMPRESSOR | RELAY RELE' RELAIS RELAIS | PROTECTOR PROTETTORE PROTECTEUR SCHUTZGERAT |
|--------------------------------------|--|--|--|------------------------------------|--|
| SD 40 SD 60 | 115/60/1 | - | - | - | - |
| SD 40 SD 60 | 230/60/1 230/60/1 | - CAE 4448 Y | - 670101 02 | - 620057 49 | - 620058 80 |
| SD 40 SD 60 | 230/50/1 230/50/1 | GL 90 TB CAE 4448 Y | 670100 00 670101 00 | 620057 31 620057 42 | 620058 69 620058 77 |

SD 40 - SD 60 - ELECTRIC COMPONENTS CHART - TABELLA COMPONENTI ELETTRICI TABLEAU COMPOSANTS ELECTRIQUE - ELEKTRISCHEKARTE

| MODEL MODELLO MODELE MODELL | VOLTS TENSIONE TENSION SPANNUNG | WATER PUMP POMPA POMPE A EAU WASSER PUMPE | FAN MOTOR ONLY MOTORE VENTILATORE MOTEUR VENTILATEUR LUFTER MOTOR | WATER INLET VALVE VALV. INGR. ACQUA V.E.M. ARRIVEE EAU WASSEREIN. VENTIL | HOT GAS VALVE COIL BOBINA VALVOLA GAS CALD BOBINE V.E.M. GAZ CHAUDS HEISSGAZ VENTIL SPULE |
|--------------------------------------|--|--|--|---|--|
| SD 40 - 60 | 115/60/1 | - | - | - | - |
| SD 60 | 230/60/1 | 620433 01 | 620419 02 | 650105 50 / 650105 51 (AIR / WATER) | 620306 48 |
| SD 40 - 60 | 230/50/1 | 620433 00 | 620419 02 | 650105 50 / 650105 51 (AIR / WATER) | 620306 48 |