

Зип Общепит

vsezip.ru

+7(812)987-08-81

COFFEE ME SE

SPARE PARTS MANUAL



SPM_EN

Part No.: 1764077_01



| | |
|---------------------------|----|
| CONTENT | 2 |
| CQUBE SE 12 20..... | 3 |
| Door | 3 |
| Machine 1..... | 5 |
| Machine 2..... | 7 |
| BARISTA UNIT..... | 9 |
| Machine 1..... | 9 |
| Machine 2..... | 11 |
| CQUBE ME..... | 13 |
| Door | 13 |
| Machine 1..... | 15 |
| Machine 2..... | 17 |
| Water system | 19 |
| ACCESSORIES..... | 21 |
| Espresso Machines..... | 21 |
| TANKS & BOILERS | 22 |
| Tank 1.8L-SE | 22 |
| Tank 5L-ME | 24 |
| Boiler | 26 |
| MIXING SYSTEM..... | 27 |
| CANISTER SETUP | 28 |
| Canister compoments | 28 |
| CQUBE ME12..... | 29 |
| CQUBE SE20..... | 30 |
| CQUBE SE12..... | 31 |
| BARISTA..... | 32 |
| BEAN HOPPER..... | 33 |
| SE..... | 33 |
| ME..... | 34 |
| PUMP | 35 |
| Vibration pump..... | 35 |
| Rotary pump | 36 |
| GRINDER..... | 37 |
| EK 7..... | 37 |
| EK 21 | 39 |
| BREWER..... | 41 |
| SE 12 20 | 41 |
| ME 12..... | 43 |



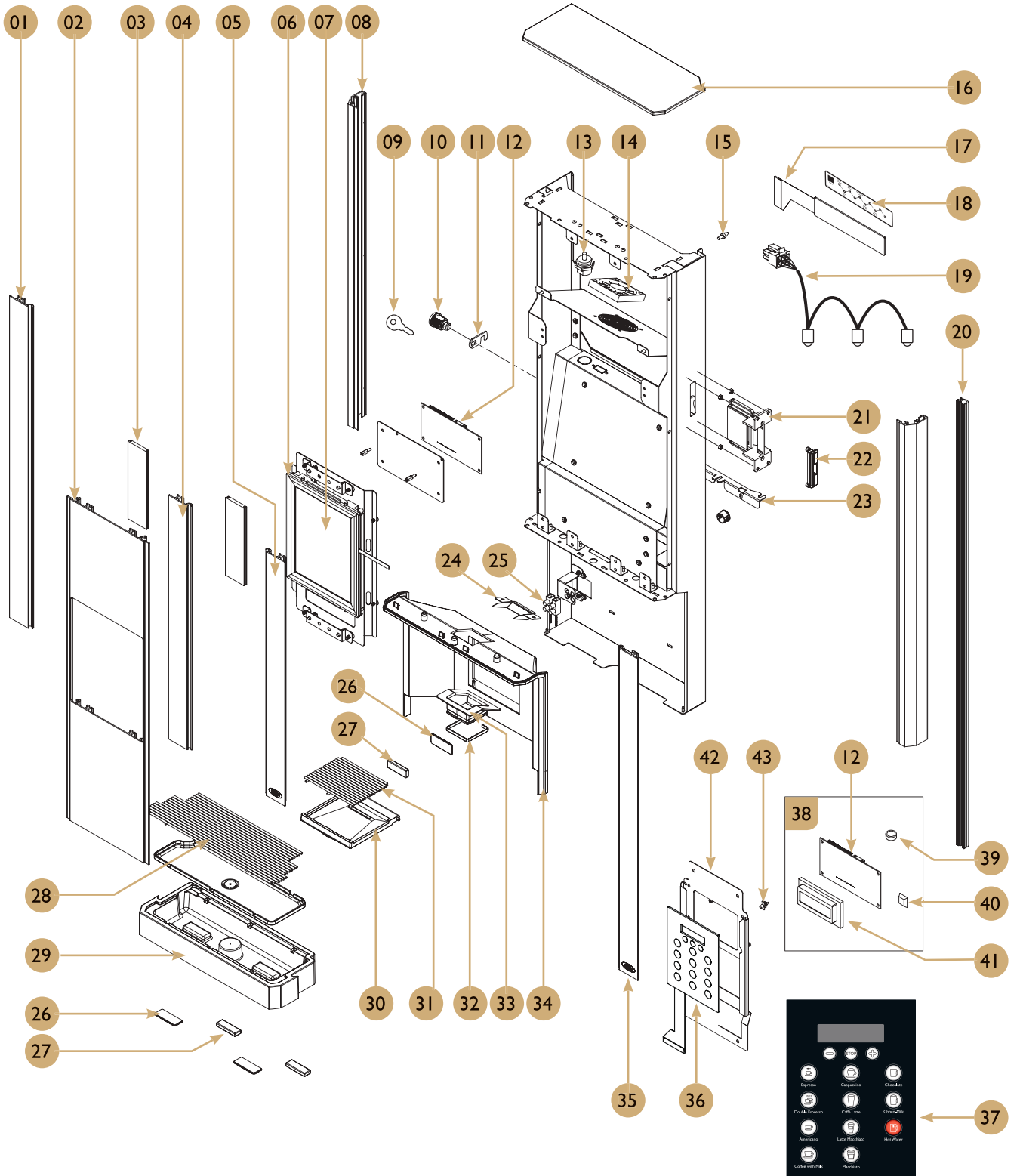
Note:

Gives additional information which may be helpful during the cleaning procedure or operation of the machine.

Door

Drawing

+7(812)987-08-81

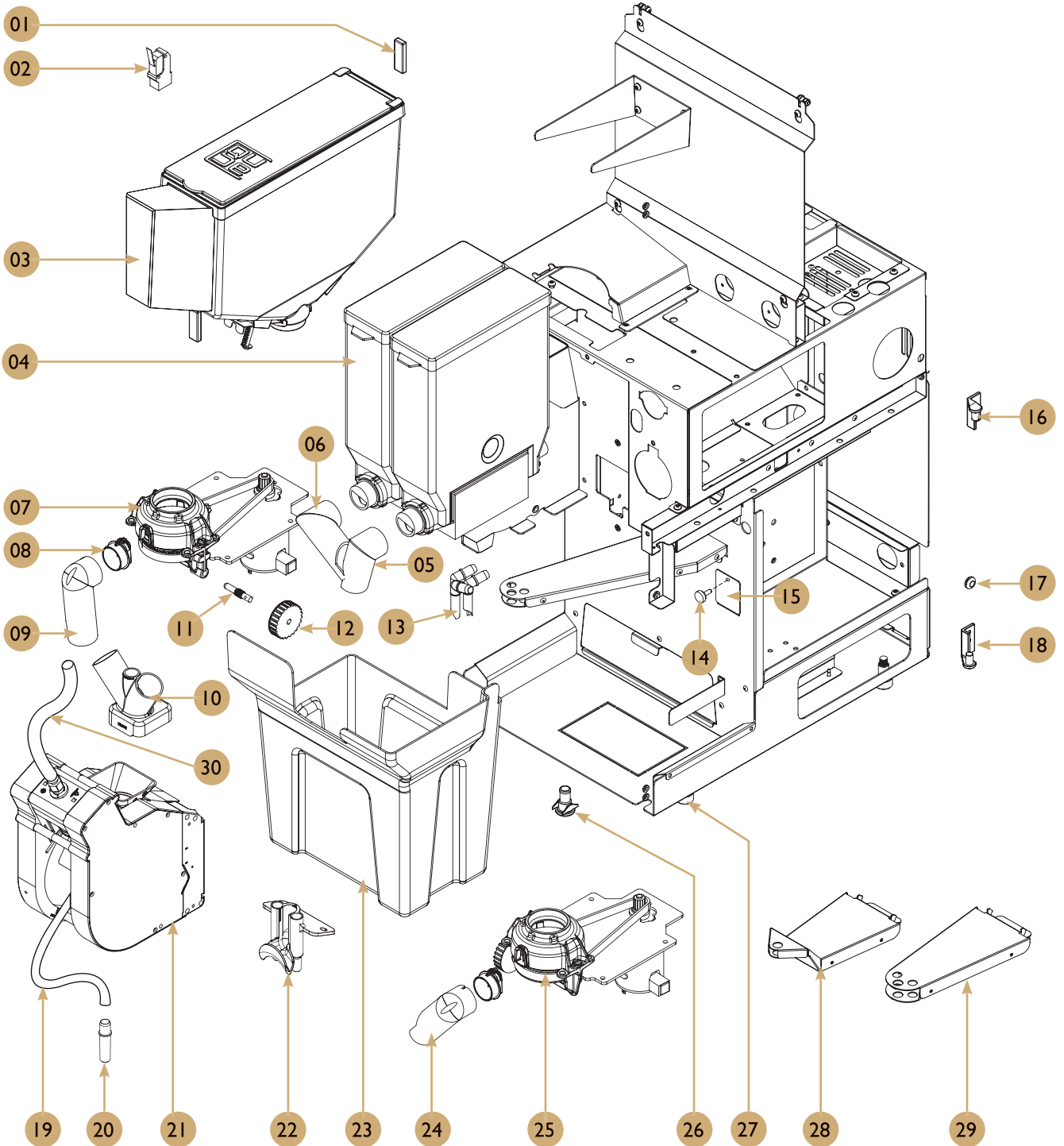


Door

+7(812)987-08-81

Spare parts list

| POS. | PCS | Part No. | Description |
|------|-----|----------|--|
| 01 | 1 | 1301946 | Side profile S long |
| 02 | 1 | 1301918 | Aluminum center profile Cqube S |
| 03 | 2 | 1105544 | Window profile Cqube S |
| 04 | 1 | 1301945 | Aluminum side profile Cqube S short |
| 05 | 1 | 1361720 | Aluminum side profile Cqube S short, Print |
| 06 | 1 | 1105550 | Display list |
| 07 | 1 | 7140057 | Touch screen module |
| 08 | 2 | 1301940 | Aluminum corner profile Cqube S |
| 09 | 1 | 1364027 | Door key |
| 10 | 1 | 1801143 | Lock 103A-17 |
| 11 | 1 | 256097 | Lock latch |
| 12 | 1 | 1604117 | PCB display board UC-meric |
| 13 | 1 | 1666014 | USB cable wit cap |
| 14 | 1 | 1660014 | Fan 24V 60 x 60 x 10mm |
| 15 | 1 | 180115 | Pin for door |
| 16 | 1 | 1105542 | Door lid Cqube S |
| 17 | 1 | 1603828 | Membrane switch cleaning menu |
| 18 | 1 | 1603905 | Clean sticker |
| 19 | 1 | 1606745D | Harness LED CQubes |
| 20 | 1 | 1301938 | Aluminum hinge profile Cqube S |
| 21 | 1 | 1602697 | Card reader |
| 22 | 1 | 1505035 | Card reader front rubber |
| 23 | 1 | 260613 | LED lamp bracket |
| 24 | 1 | 260487 | Door outlet cover |
| 25 | 1 | 710036 | Level sensor set |
| 26 | 3 | 1105558 | Magnet lid |
| 27 | 3 | 1608281 | Magnet 39x13x6mm |
| 28 | 1 | 1105541 | Drip tray insert small |
| 29 | 1 | 1105540 | Drip tray Cqube S |
| 30 | 1 | 1105554 | Cup tray Cqube |
| 31 | 1 | 1301181 | Drip tray gird top |
| 32 | 1 | 1105532 | Chrome ring FB |
| 33 | 1 | 1105534 | Outlet driptray FB |
| 34 | 1 | 1105543 | Drip tray extension Cqube S |
| 35 | 1 | 1361721 | Side profile S long, Print |
| 36 | 1 | 1665047 | Membrane switch CQube |
| 37 | 1 | 1665082 | Membrane switch sticker SE12 |
| 38 | 1 | 710556 | PCD UC and display complete |
| 39 | 1 | 1604119 | Battery CR 1220 3V |
| 40 | 4 | 1604113 | Spacer for UC merisc |
| 41 | 1 | 1604122 | Display 2x16 |
| 42 | 1 | 260561 | Display Module Panel CQUBE |
| 43 | 4 | 1203416 | Fastener for circuit board |

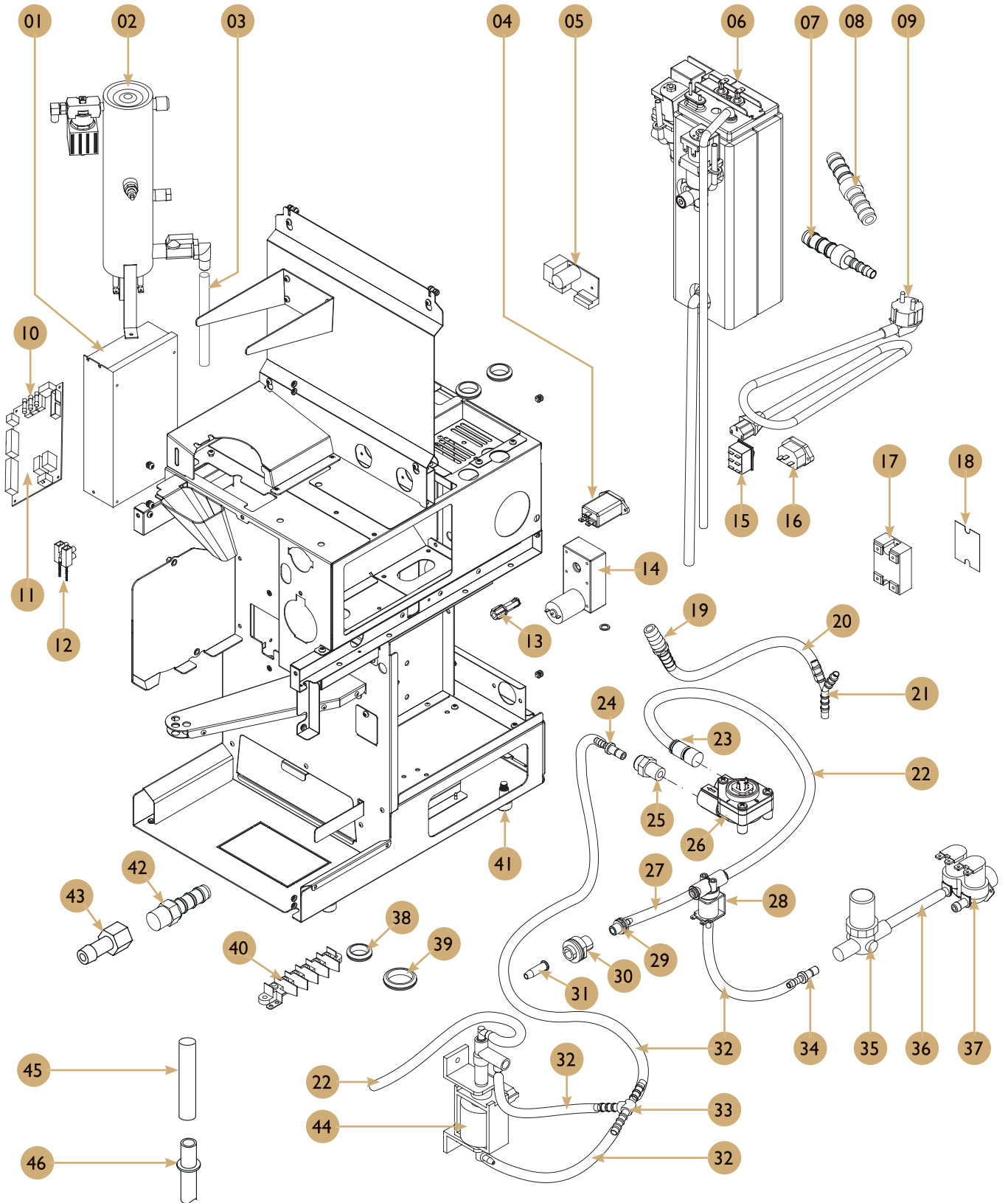


Machine I

+7(812)987-08-81

Spare parts list

| POS. | PCS | Part No. | Description |
|------|-----|----------|--|
| 01 | 2 | 1608281 | Magnet 39x13x6 |
| 02 | 1 | 160841 | Door microswitch or 710070 with holder |
| 03 | 1 | 7160003 | Bean hopper left |
| 04 | 2 | 1204962 | Canister W64 H250mm |
| 05 | 1 | 120493 | Canister W64 pipe right |
| 06 | 1 | 120489 | Canister W64 pipe left |
| 07 | 1 | 1604757 | Grinder EK-7 left |
| 08 | 2 | 1264097 | Outlet chute for EK-7 grinder |
| 09 | 2 | 1264099 | Canister chute right |
| 10 | 1 | 1264168 | Powder cover |
| 11 | 1 | 260457 | Adjustable shaft |
| 12 | 1 | 1264033 | Adjustable wheel |
| 13 | 3 | 1201415 | Outlet angle |
| 14 | 1 | 1402581 | Screw M4x10 black plastic top |
| 15 | 1 | 252109 | Drain panel |
| 16 | 1 | 1403514 | Hinge zink upper |
| 17 | 1 | 1264005 | Rubber leading TPG 10.0 |
| 18 | 1 | 1403515 | Hinge zink lower |
| 19 | 1 | 1264146 | Outlet tube L for brewer |
| 20 | 1 | 1264145 | Outlet cross |
| 21 | 1 | 1201621 | Espresso brewer 7g |
| 22 | 1 | 1264159 | Espresso outlet complete |
| 23 | 1 | 1264134 | Trash bin CQUBE SE |
| 24 | 1 | 1264099 | Grinder outlet right |
| 25 | 1 | 1604758 | Grinder EK-7 long right |
| 26 | 1 | 1206706 | Bulkhead adaptor black |
| 27 | 4 | 120316 | Adjustable foot |
| 28 | 1 | 261156 | Beam unit raised SE20 |
| 29 | 1 | 261157 | Beam unit straight SE20 |
| 30 | 1 | 1505174 | Tube PTFE 2.5-4mm |

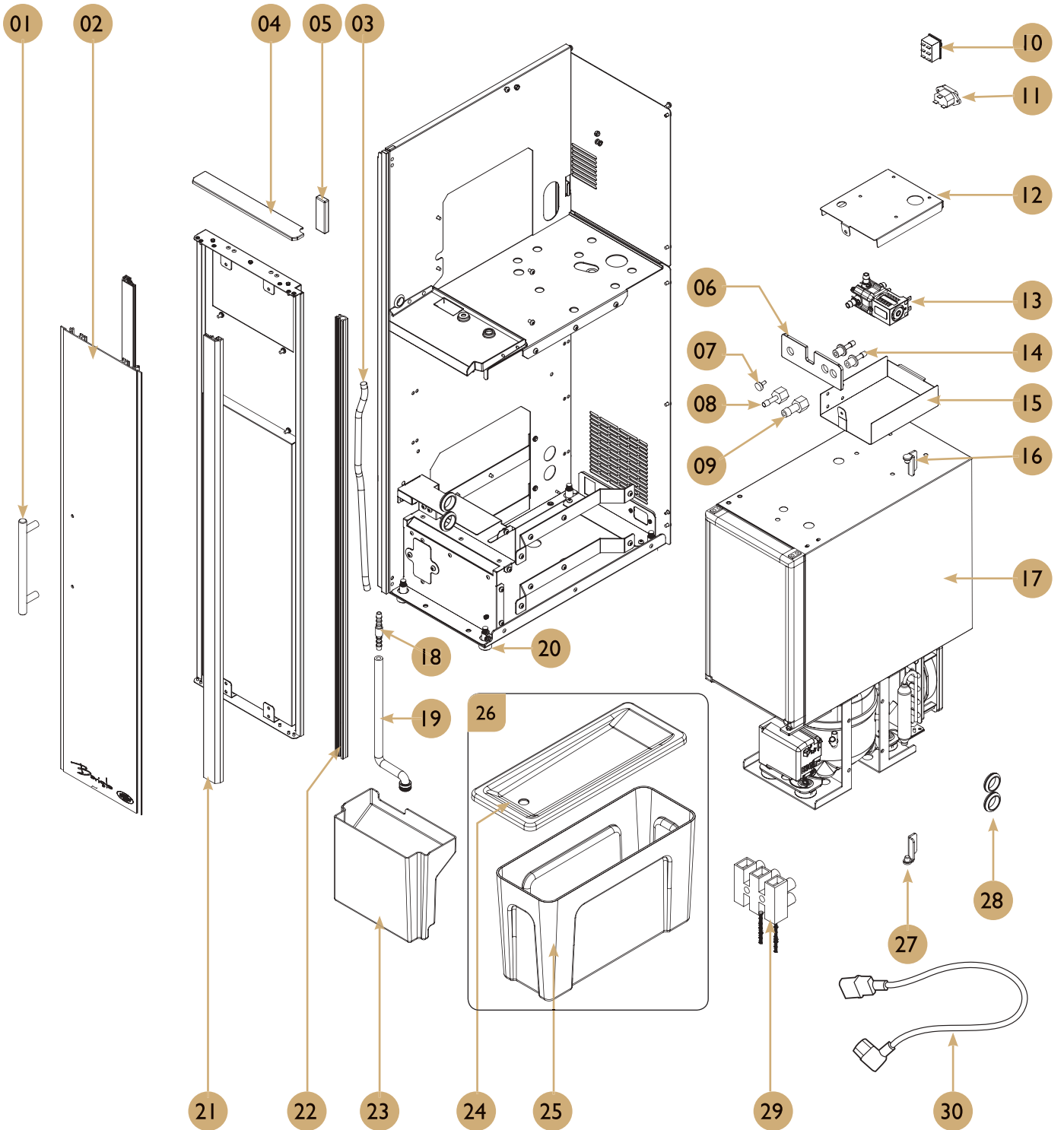


Machine 2

+7(812)987-08-81

Spare parts list

| POS. | PCS | Part No. | Description |
|------|-----|-----------------|-------------------------------------|
| 01 | 1 | 1031652 | Power supply 150W |
| 02 | 1 | 2760102 | Boiler Assembly CQube SE |
| 03 | 1 | 1561036 | Silicone tube 10x14mm |
| 04 | 1 | 160571 | EMI filter with AC socket |
| 05 | 1 | 1660005 | AC-DC converter PCB |
| 06 | 1 | 1263506 | Tank complete CQUBE S 1.8L |
| 07 | 1 | 1801102 | Connector for tube(8mm-5mm) |
| 08 | 1 | 1801100 | Connector for silicon tube ID12x12 |
| 09 | 1 | 160565 | Power cord Europe 16A/250V |
| 10 | 3 | 1604384 | Fuse 5AT 5x20 |
| 11 | 1 | 1604111 | PCB MAIN BOARD 10-TE |
| 12 | 1 | 710036 | Water sensor set |
| 13 | 1 | 1604614 | Drive shaft 16mm |
| 14 | 1 | 1604612 | Motor gear 145rpm |
| 15 | 1 | 160801-04 | Rocket switch single(orange) |
| 16 | 1 | 160570 | Power cord inlet/main socket |
| 17 | 3 | 1604203/1604201 | Solid state 25A |
| 18 | 1 | 1206581 | Seal solid state |
| 19 | 1 | 1860041 | Connector Tube Barb 10mm-10mm |
| 20 | 1 | C35021030 | Silicone tube 6x10mm |
| 21 | 1 | 1801133 | Connector Y 6-6-6mm |
| 22 | 2 | C35021015 | Tube PTFE 4X6mm |
| 23 | 1 | 1860019 | Connector Straight Male GI_4-Tube 6 |
| 24 | 1 | 1104548 | Connector tube barb 6-6mm |
| 25 | 1 | 1860014 | Connector Male GI-4-Female Tube 6 |
| 26 | 1 | C60100045 | Flowmeter ul/netw brass tef+led |
| 27 | 1 | 1505172 | Silicone tube 3x6mm |
| 28 | 1 | 1660050 | ODE 3way valve |
| 29 | 1 | 1801119 | Connector for 4mm tube |
| 30 | 1 | 1801120 | Chassi connector white |
| 31 | 1 | 1801121 | Connector for 8mm tube |
| 32 | 4 | 1561060 | Braided silicone tube 4.7-11.3mm |
| 33 | 1 | 1801104 | Connector T 6-6-6mm |
| 34 | 1 | 1801135 | Slangnippel 8mm-6mm |
| 35 | 1 | 1104543 | Water pressure reducer |
| 36 | 1 | 1561054 | LDPE hose 6x8mm |
| 37 | 1 | 1206281 | Double inlet 2.5L/min 24V |
| 38 | 3 | 160536 | Gasket rubber NBR(Rubber trp 30.0) |
| 39 | 1 | 1204651 | Rubber trp 40 |
| 40 | 1 | 160549 | Connector FV122/B |
| 41 | 4 | 120316 | Adjustable foot |
| 42 | 1 | 1860029 | Connector Male GI_4 - Male Tube 8 |
| 43 | 1 | 1860004 | Connector for tube 8mm-12mm(female) |
| 44 | 1 | CESC00001 | Vibration pump |
| 45 | 1 | 150501 | Tube silicon 8-12mm, sale in M |
| 46 | 1 | 261154 | Milk Descale Connector |

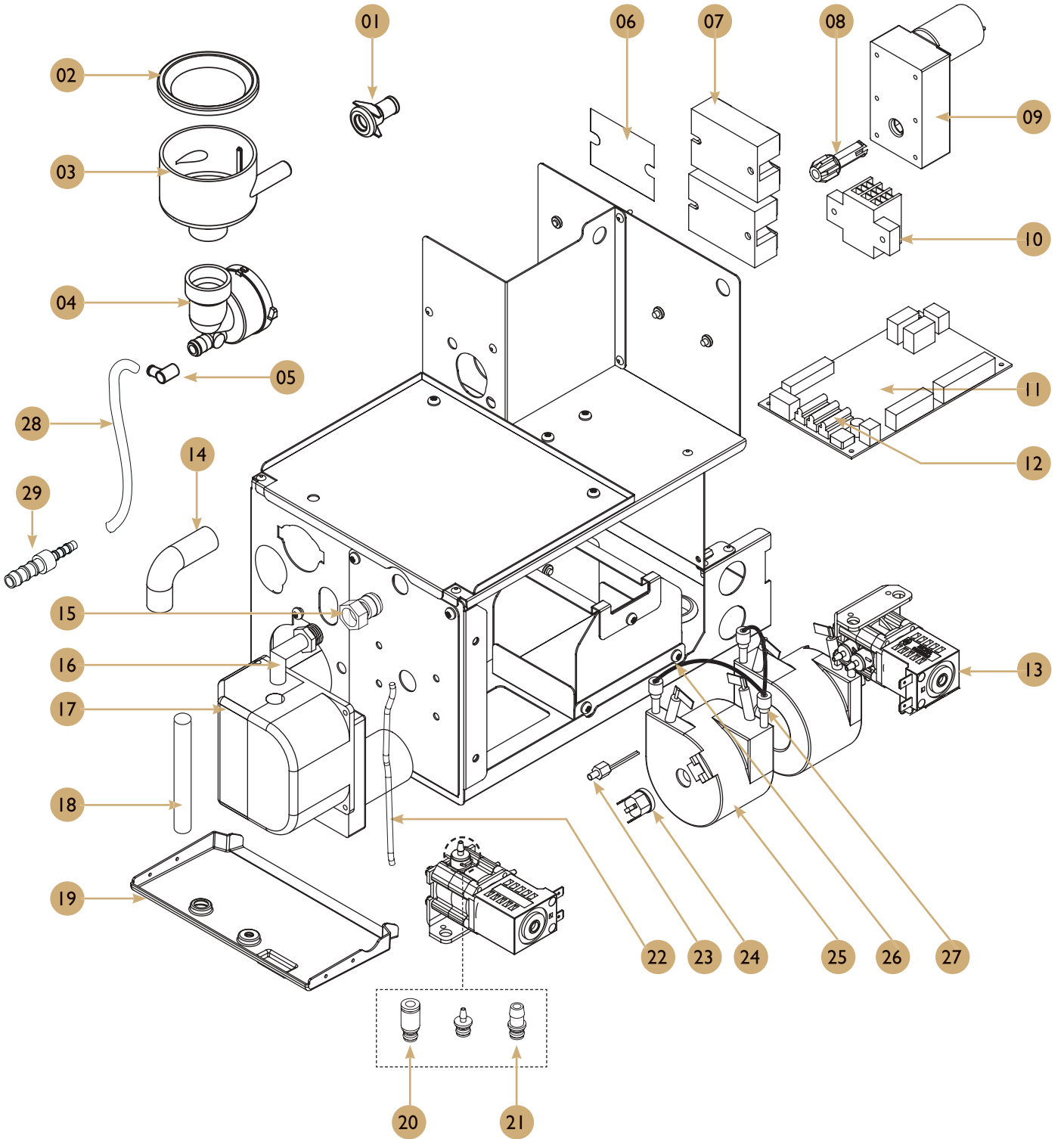


Machine I

+7(812)987-08-81

Spare parts list

| POS. | PCS | Part No. | Description |
|------|-----|-----------|-------------------------------------|
| 01 | 1 | 1364016 | Door handle |
| 02 | 1 | 1361708 | Centre profile |
| 03 | 1 | 1505172 | Silicone hose 3x6mm / Sale in M |
| 04 | 1 | 260510 | Door top lid |
| 05 | 2 | 1608281 | Magnet 39x13x6 |
| 06 | 1 | 1264043 | Transparent cover cooler |
| 07 | 1 | 1402581 | Screw M4X10 black plastic top |
| 08 | 1 | 1860003 | Connector for tube 5mm-M12(female) |
| 09 | 1 | 1860004 | Connector for tube 8mm-12mm(female) |
| 10 | 1 | 160801-04 | Rocket switch single(Orange) |
| 11 | 1 | 160570 | Main socket |
| 12 | 1 | 260511 | Valve tray lid |
| 13 | 1 | 1206295 | 3-way valve 24VDC |
| 14 | 2 | 1860002 | Connector for tube 5-12mm |
| 15 | 1 | 1264037 | Valve tray |
| 16 | 1 | 260505 | Upper hinge |
| 17 | 1 | 1104800 | Milk fridge |
| 18 | 1 | 1860024 | Connector for tube 4-4mm |
| 19 | 1 | 1561042 | Drain tube |
| 20 | 4 | 120316 | Adjustable foot |
| 21 | 2 | 1361710 | Corner profile |
| 22 | 1 | 1361709 | Hinge profile |
| 23 | 1 | 1264034 | Waste box milk |
| 24 | 1 | 1264060 | Container lid |
| 25 | 1 | 1264040 | Milk container |
| 26 | 1 | 2760103 | Milk container complete |
| 27 | 1 | 260506 | Lower hinge |
| 28 | 6 | 160536 | Gasket rubber NBR(Rubber trp 30.0) |
| 29 | 1 | 710036 | Drip tray sensor set |
| 30 | 1 | 1666012 | Joint power cable SE20+Barista |



Machine 2

+7(812)987-08-81

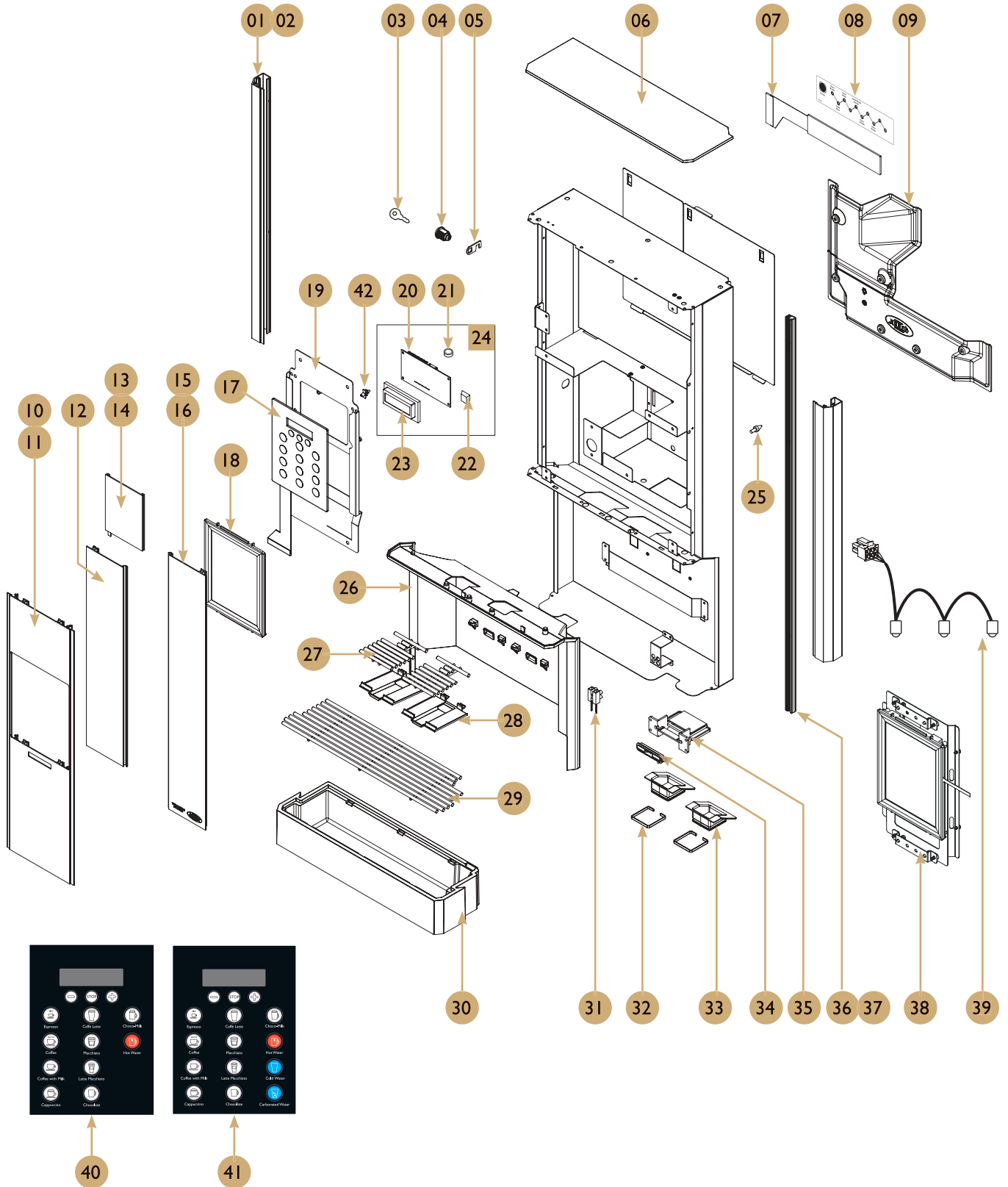
Spare parts list

| POS. | PCS | Part No. | Description |
|------|-----|-----------------|---------------------------------------|
| 01 | 2 | 1206706 | Balkhead adaptor |
| 02 | 1 | 1264008 | Top part mixing bowl chocolino |
| 03 | 1 | 1264110 | Mixing bowl double inlet |
| 04 | 1 | 1264111 | Mixing bowl lower |
| 05 | 1 | 1206705 | Outlet elbow for mixing bowl |
| 06 | 2 | 1206581 | Seal solid state |
| 07 | 2 | 1604203/1604201 | Solid state 25A |
| 08 | 1 | 1604614 | Drive shaft 16mm |
| 09 | 1 | 1604612 | Motor gear 145rpm |
| 10 | 1 | 160351 | Connector PA80 FF |
| 11 | 1 | 1604111 | PCB main board IO-TE |
| 12 | 3 | 1604384 | Fuse 5AT 5x20 |
| 13 | 3 | 1206295 | 3-way valve 24VDC |
| 14 | 1 | 1031501 | Silicone elbow tube 8mm |
| 15 | 1 | 1860012 | Speed fitting 6mm-1/4"F |
| 16 | 1 | 260560 | Metal elbow connector |
| 17 | 1 | 1104508 | Milk pump 24VDC |
| 18 | 1 | 1565024 | Silicone hose 8x12 xellow (Sale in M) |
| 19 | 1 | 1264058 | Mixing bowl drip cover |
| 20 | 1 | 1860011 | Speed fitting 6mm |
| 21 | 1 | 1206297 | Barb connector for 8mm tube |
| 22 | 1 | 1505172 | Silicone hose 3x6mm (Sale in M) |
| 23 | 1 | 1660013 | NTC thermoblock M4 |
| 24 | 2 | 1602093 | Over heating protection |
| 25 | 2 | 1601314 | Thermoblock 2200W/230V |
| 26 | 1 | C35021015 | Tube PTFE 4-6mm (Sale in M) |
| 27 | 1 | 1860005 | Straigh female 6mm-1/8" |
| 28 | 1 | 150491 | Silicon Hose DIA 6*9mm, sale in M |
| 29 | 1 | 1801102 | Connector for tube (8mm-5mm) |

Door

Drawing

+7(812)987-08-81

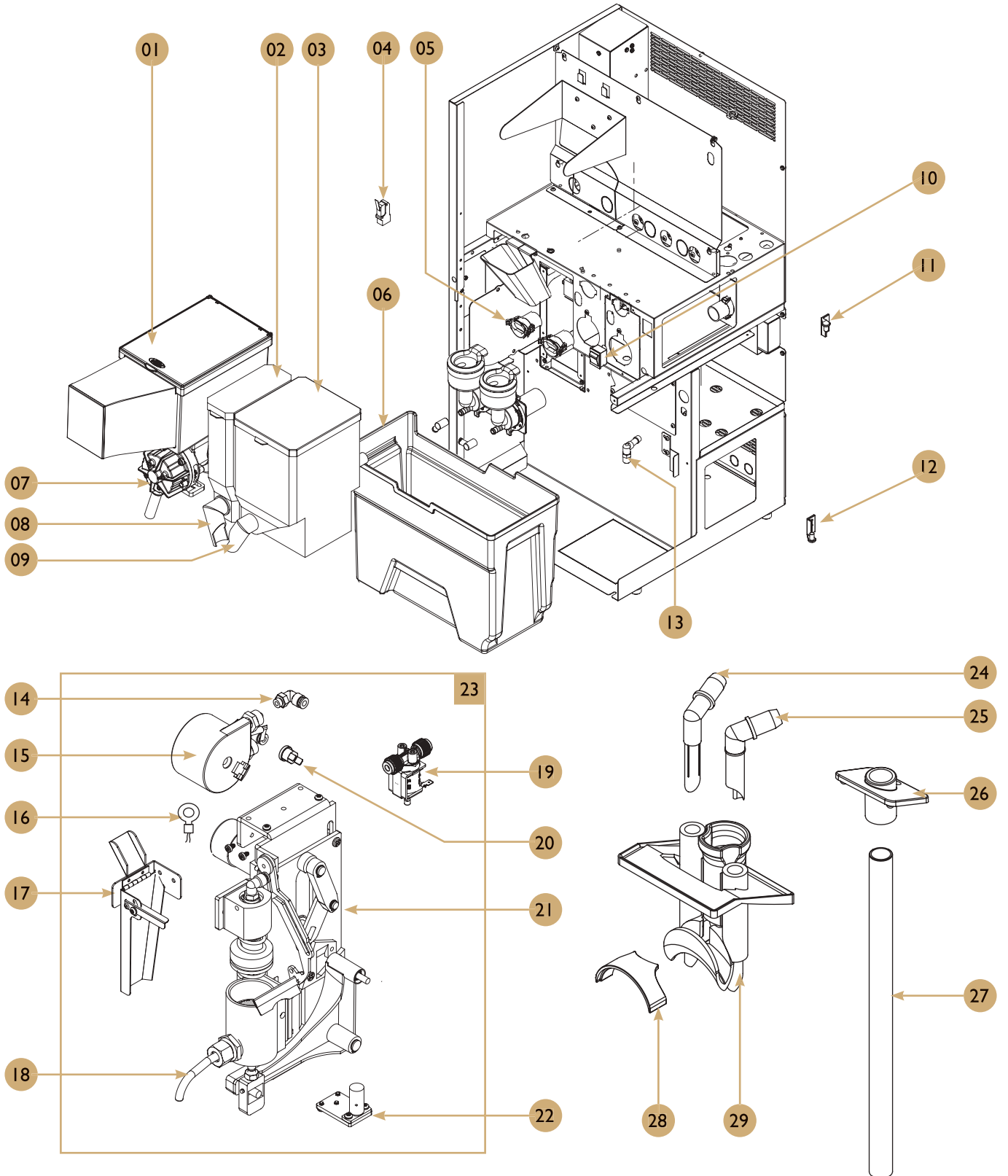


Door

+7(812)987-08-81

Spare parts list

| POS. | PCS | Part No. | Description |
|------|-----|----------|---------------------------------------|
| 01 | 2 | 1301910 | Corner profile high |
| 02 | 2 | 1301911 | Corner profiles low |
| 03 | 1 | 1364027 | Door key |
| 04 | 1 | 1801143 | Door lock 103A-17 |
| 05 | 1 | 256097 | Lock lash |
| 06 | 1 | 1105533 | Top lid |
| 07 | 1 | 1603828 | Membrane switch cleaning menu |
| 08 | 1 | 1603905 | Cleaning sticker MF/LF |
| 09 | 1 | 1105492 | Door inside cover |
| 10 | 1 | 1301916 | Center profile low |
| 11 | 1 | 1301915 | Center profile high |
| 12 | 1 | 1301930 | Side profile bean container |
| 13 | 1 | 1105530 | Bean hopper window high |
| 14 | 1 | 1105531 | Bean hopper window low |
| 15 | 2 | 1301921 | Side profile low |
| 16 | 2 | 1301920 | Side profile high |
| 17 | 1 | 1665047 | Membrane switch |
| 18 | 1 | 1105550 | Display list |
| 19 | 1 | 260561 | Display modul panel |
| 20 | 1 | 1604117 | PCB display board UC-meric |
| 21 | 1 | 1604119 | Battery |
| 22 | 4 | 1604113 | Spacer for UC merisc |
| 23 | 1 | 1604122 | Display 2x16 |
| 24 | 1 | 710556 | PCB UC and display 2x16 complete |
| 25 | 1 | 180115 | Pin for door |
| 26 | 1 | 1105529 | Drip tray extension |
| 27 | 2 | 1102037 | Cup holder |
| 28 | 2 | 1105560 | Drip collector |
| 29 | 1 | 1102035 | Drip tray insert |
| 30 | 1 | 1105528 | Drip tray |
| 31 | 1 | 710036 | Level sensor set |
| 32 | 2 | 1105532 | Chrome ring FB |
| 33 | 2 | 1105534 | Outlet drip tray extension |
| 34 | 1 | 1505035 | Card reader front rubber |
| 35 | 1 | 1602697 | Card reader |
| 36 | 1 | 1301935 | Hinge profile high |
| 37 | 1 | 1301936 | Hinge profile low |
| 38 | 1 | 7140057 | Touch screen module |
| 39 | 1 | 1666009 | Harness LED CQUBE MF/LF |
| 40 | 1 | 1665059 | Membrane switch sticker ME standard |
| 41 | 1 | 1665060 | Membrane switch sticker ME COLD WATER |
| 42 | 4 | 1203416 | Fastener for circuit board |

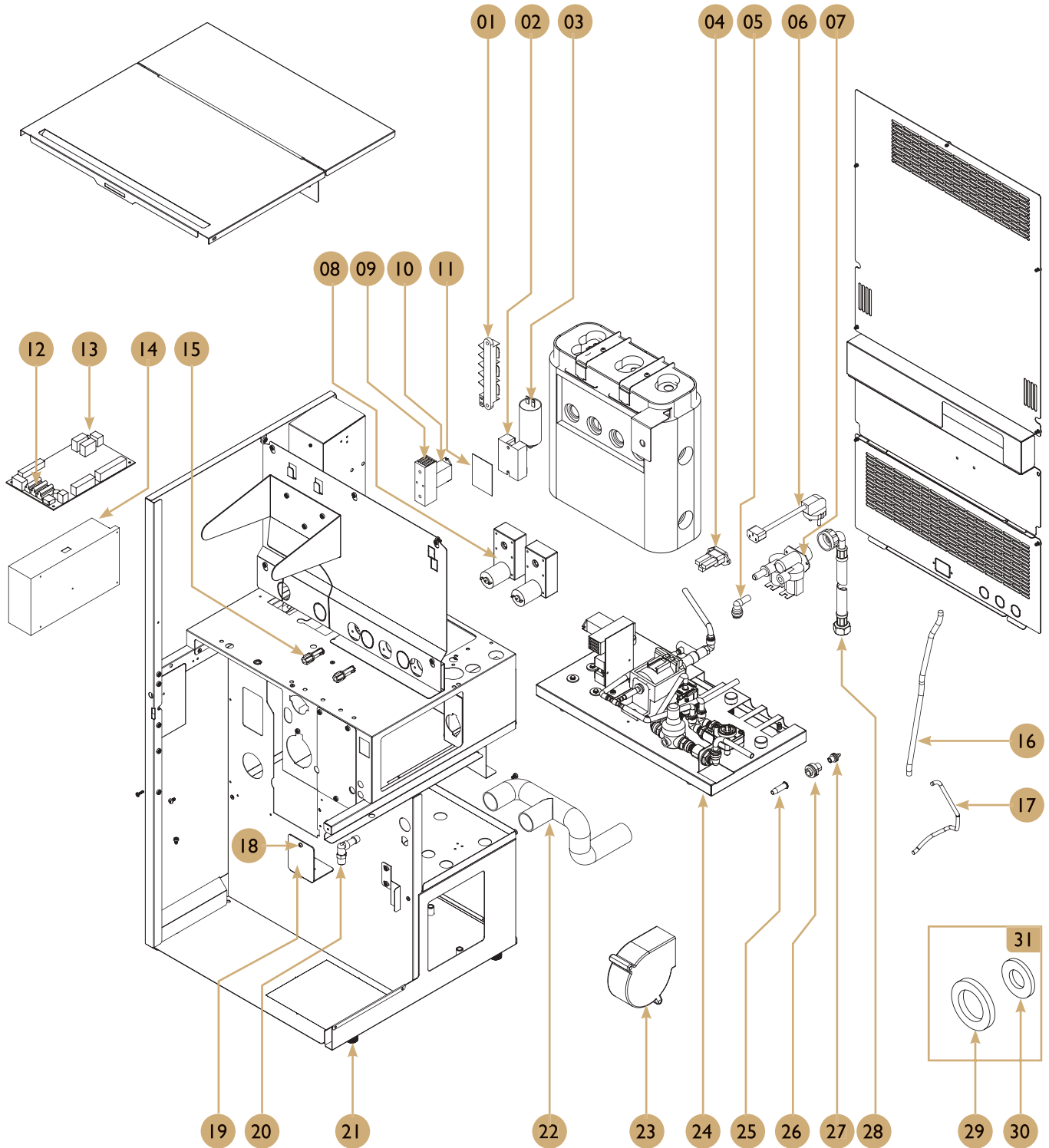


Machine I

Spare parts list

+7(812)987-08-81

| POS. | PCS | Part No. | Description |
|------|-----|-----------|--|
| 01 | 1 | 1105495 | Bean hopper low |
| 02 | 1 | 1204962 | Canister W64mm H250mm |
| 03 | 1 | 1204885 | Canister W160mm H250mm |
| 04 | 1 | 160841 | Door microswitch or 710070 with holder |
| 05 | 5 | 1604836 | Hose adapter for mixing system |
| 06 | 1 | 1105359 | Waste box |
| 07 | 1 | 1604752 | EK21 grinder |
| 08 | 2 | 120489 | Canister W64 pipe destra 7cm L/H |
| 09 | 1 | 120493 | Canister W64 pipe destra 7cm R/H |
| 10 | 1 | 160801-04 | Rocker switch single(orange) |
| 11 | 1 | 1403514 | Hinge zink upper |
| 12 | 1 | 1403515 | Hinge zink lower |
| 13 | 1 | 180111 | Plastic elbow 1/4" |
| 14 | 1 | 1801130 | Speed fitting L-connetor 6mm |
| 15 | 1 | 1601314 | Block heater 2200W |
| 16 | 1 | 1604138 | NTC ringcable 10kohm |
| 17 | 1 | 7143007 | Powder funnel |
| 18 | 1 | 1801182 | Coffee outlet pipe ME |
| 19 | 1 | 1206304 | 3-2 valve 24VDC |
| 20 | 1 | 1602093 | Overheating protection |
| 21 | 1 | 1201381 | Brew mech Espresso metal |
| 22 | 1 | 7143012 | Air damper |
| 23 | 1 | 7143006 | Brewer module CQ ME |
| 24 | 1 | 1201411 | Outlet angle 8mm |
| 25 | 1 | 1201415 | Outlet angle 9.5mm hot water |
| 26 | 1 | 1105552 | Tube holder |
| 27 | 1 | 130103 | Metal pipe 12x 1mm EN 1.4307 |
| 28 | 1 | 1201407 | Espresso outlet ME Complete |
| 29 | 1 | 1201410 | Spout cover |

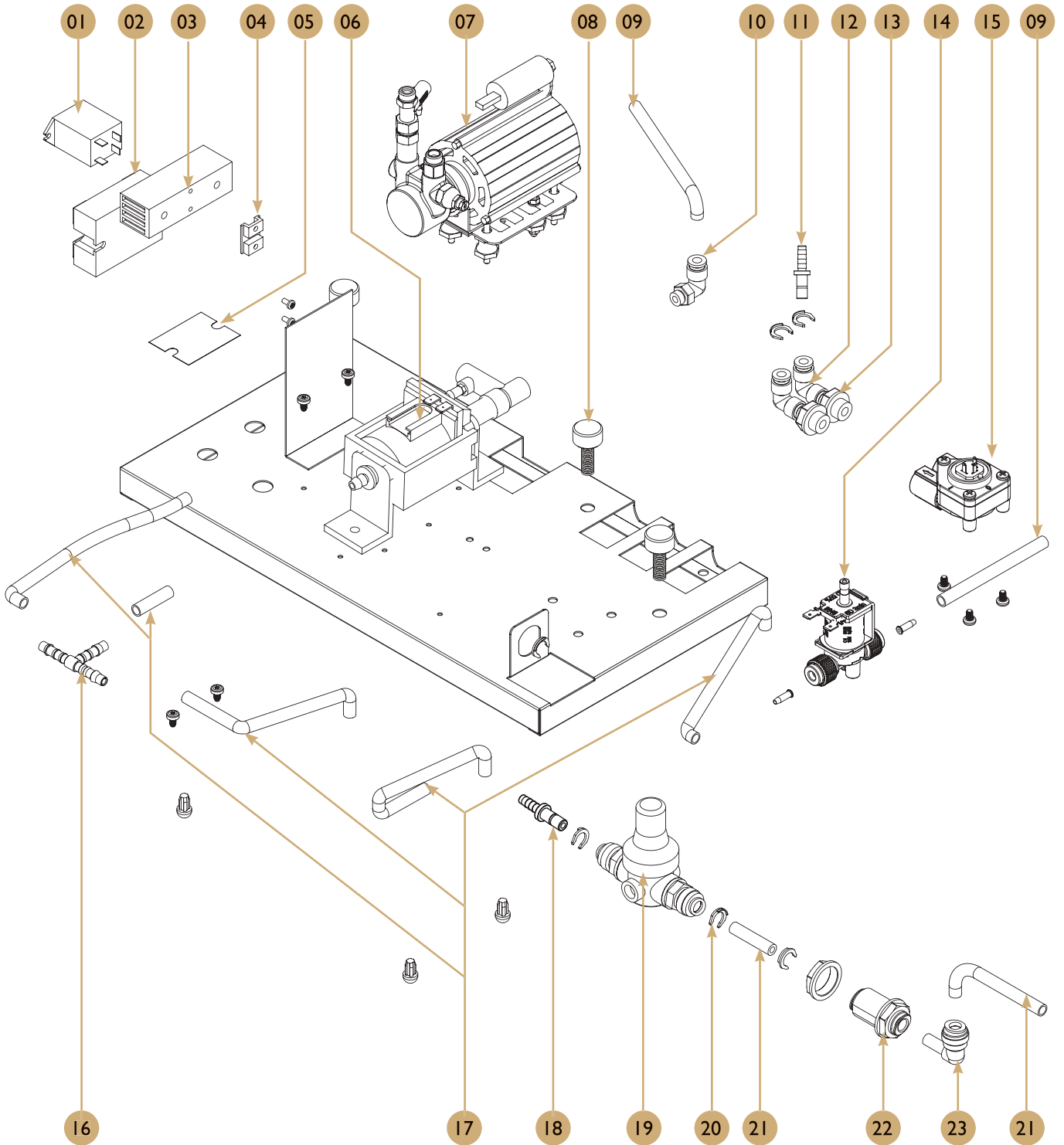


Machine 2

+7(812)987-08-81

Spare parts list

| POS. | PCS | Part No. | Description |
|------|-----|-----------------|--------------------------------|
| 01 | 1 | 160549 | Connector FV 122-B |
| 02 | 1 | 1604201/1604203 | Solid state 25A |
| 03 | 1 | 83257335 | Capacitor |
| 04 | 1 | 160570 | Main socket |
| 05 | 1 | 1104606 | Elbow connector 8mm |
| 06 | 1 | 160565 | Power cordturope 230/16A |
| 07 | 1 | 1206281 | Inlet valve double 2.5L/min |
| 08 | 3 | 1604612 | Motor gear 145rpm |
| 09 | 1 | 160246 | Socket for relay |
| 10 | 1 | 160243 | Relay 24VDC |
| 11 | 3 | 1206581 | Seal soild state |
| 12 | 3 | 1604384 | Fuse 5AT 5x20 |
| 13 | 1 | 1031652 | Power supply 150W |
| 14 | 1 | 1604111 | Main PCB IO-TE |
| 15 | 2 | 1604614 | Drive shaft 16 mm |
| 16 | 1 | 1104527 | Tube 8mm blue |
| 17 | 1 | 1505172 | Silicone tube 4-6mm |
| 18 | 1 | 1402581 | Screw M4X10 black plastic top |
| 19 | 1 | 252109 | Drain panel |
| 20 | 1 | 180111 | Plastic elbow 1/4" |
| 21 | 4 | 120316 | Adjustable foot |
| 22 | 1 | 1505033 | Hose mixer |
| 23 | 1 | 1604151 | Centrifugal fan 24V 0.24A |
| 24 | 1 | 7143004 | Watersupply CQ ME, see page 34 |
| 25 | 1 | 1801121 | Connector for 8mm tube |
| 26 | 1 | 1801120 | Chassi connector white |
| 27 | 1 | 1801119 | Connector for 4mm tube |
| 28 | 1 | 150541 | Inlet hose 3/4"-1/2" |
| 29 | 1 | 1206603 | Gasket DIA23.5mm*15mm D3mm |
| 30 | 1 | 1206604 | Gasket DIA18mm*9mm D2mm |
| 31 | 1 | 2760094 | Gasket set for inlet hose |



Water system

+7(812)987-08-81

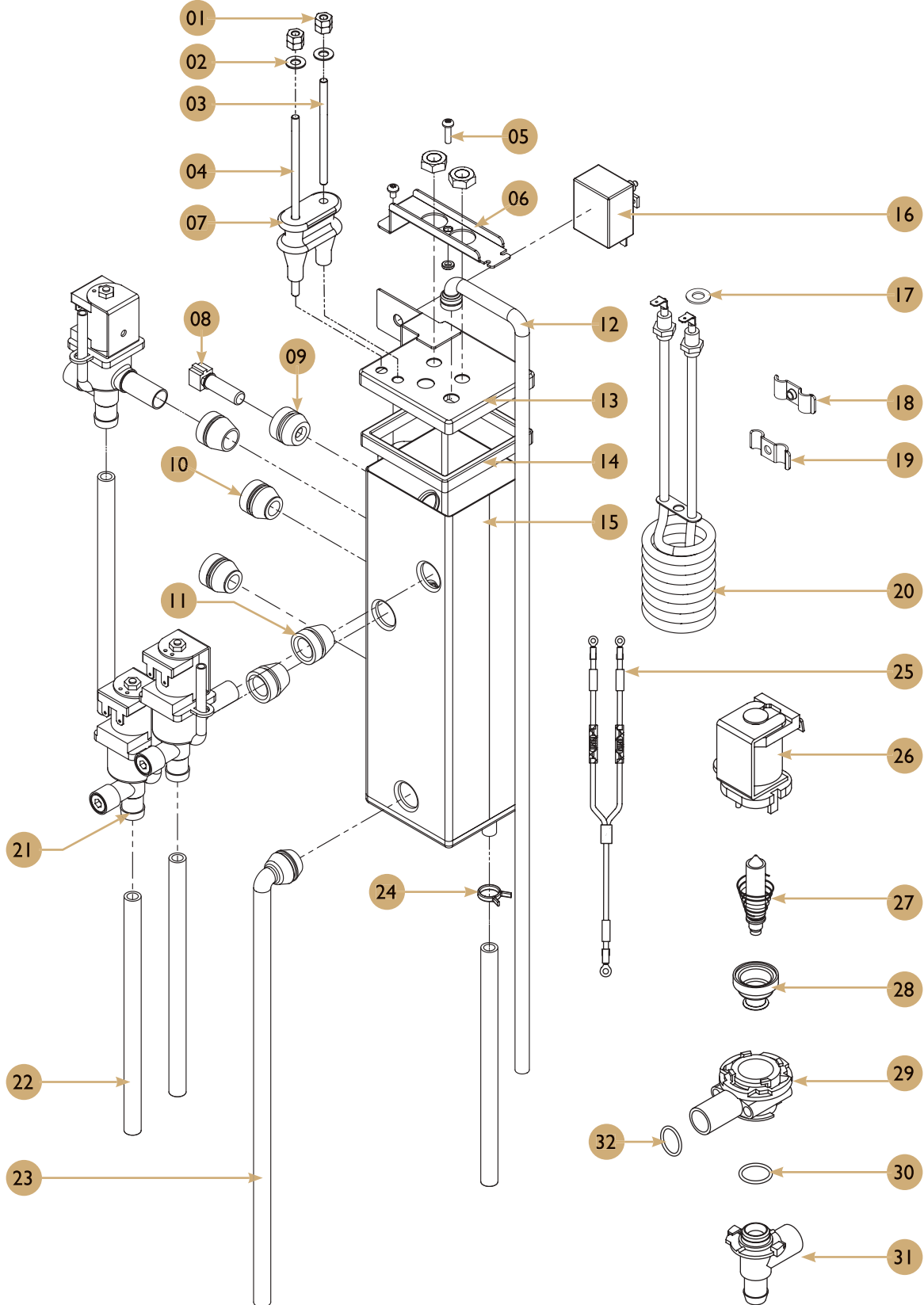
Spare parts list

| POS. | PCS | Part No. | Description |
|------|-----|-----------------|-------------------------------------|
| 01 | 1 | 160243 | Relay 24VDC |
| 02 | 1 | 1604203/1604201 | Solid state 25A |
| 03 | 1 | 160246 | Socket for relay |
| 04 | 1 | 160247 | Relay chassi holder |
| 05 | 1 | 1206581 | Seal solid state |
| 06 | 1 | CESC00001 | Vibration pump, see page 52 |
| 07 | 1 | CASS00004 | Rotary pump, see page 53 |
| 08 | 4 | 120316 | Adjustable foot |
| 09 | 2 | C35021015 | Teflon tube 4x6mm, sale in M |
| 10 | 1 | 1801132 | Elbow connector 6mm SS |
| 11 | 1 | 1104548 | Tube connector with barbs 6-6mm |
| 12 | 2 | 1801131 | Elbow connector 6mm plastic |
| 13 | 2 | 1801138 | Straight connector 1/4"-6mm plastic |
| 14 | 1 | 1206304 | 3- 2 valve 24VDC |
| 15 | 1 | C60100045 | Flowmeter brass |
| 16 | 1 | 1801104 | T connector 6-6-6mm |
| 17 | 5 | 150494 | Siliconc tube 6x9mm, sale in M |
| 18 | 1 | 1801135 | Tube connector with barbs 8-6mm |
| 19 | 1 | 1104543 | Pressure reducer 2.0bar |
| 20 | 6 | 1104533 | Connector lock |
| 21 | 2 | 1104527 | Tube 8mm blue |
| 22 | 1 | 1505291 | Chassi connector 8mm |
| 23 | 1 | 1104539 | Elbow connector 8-8mm |



Spare parts list

| POS. | PCS | Part No. | Description |
|------|-----|----------|--------------------------------|
| 1 | 1 | E1001001 | Coffee grinder cleaner |
| 2 | 1 | I505042 | Inlet hose 1/2" - 3/4" |
| 3 | 1 | I666012 | Joint power cable SE20+Barista |
| 4 | 1 | I60565 | Power cord Europe I6A/250V |
| 5 | 1 | I104172 | Cleaning tablets Espresso |
| 6 | 1 | I964024 | Cleaning brush |
| 7 | 1 | I964015 | Milk jar 600ml |
| 8 | 1 | I660016 | USB IGB Operator Key |
| 9 | 1 | I403401 | Inlet valve plug |
| 10 | 1 | I660010 | Green Card |
| 11 | 1 | I660009 | Red Card |
| 12 | 1 | I660012 | Cloning Card |
| 13 | 1 | I705031 | Smart card pocket |



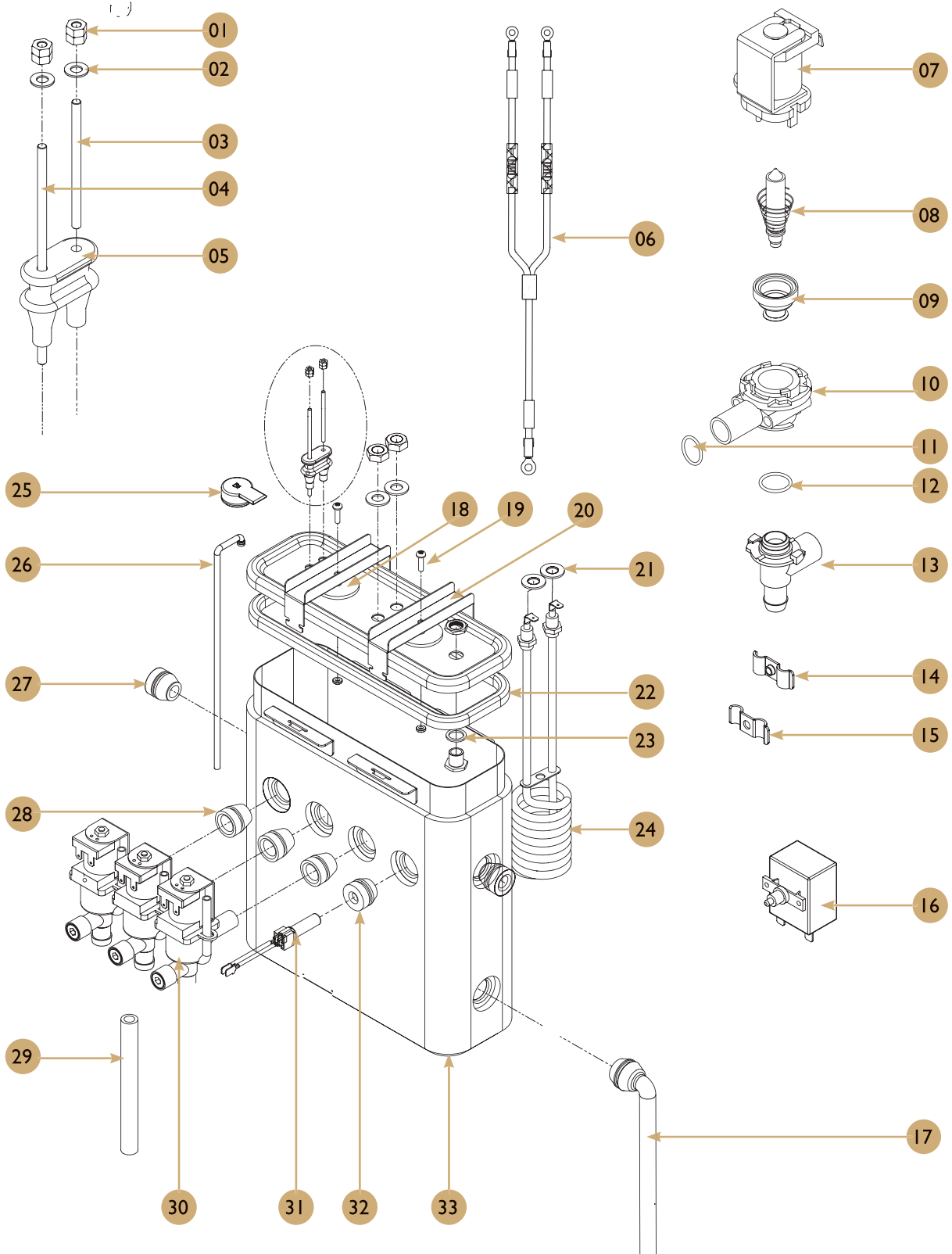
Tank 1.8L - SE

+7(812)987-08-81

Spare parts list

| POS. | PCS | Part No. | Description |
|------|-----|-----------|---------------------------------|
| 01 | 1 | 1401101 | Nut M3 SS A2 |
| 02 | 1 | 1461008 | Spring washer M3 |
| 03 | 1 | 1364026 | Sensor short 60mm |
| 04 | 1 | 1205301 | Sensor long 90 mm |
| 05 | 1 | 1402003 | Screw M4 x16mm |
| 06 | 1 | 261151 | Tank bracket |
| 07 | 1 | 1605362 | Double seal level sensor |
| 08 | 1 | 711000 | NTC thermistor complete |
| 09 | 1 | 1605361 | Seal for NTC |
| 10 | 2 | 160538-03 | Plug for water outlet |
| 11 | 3 | 1561010 | Seal for outlet valve big |
| 12 | 1 | 1561015 | Over flow pipe tank |
| 13 | 1 | 260616 | Tank lid for OH |
| 14 | 1 | 1206588 | Tank gasket |
| 15 | 1 | 1263506 | Tank Complete For CQube S |
| 16 | 1 | 220220 | High limit switch |
| 17 | 2 | 1206507 | Fiber washer |
| 18 | 1 | 260851 | SS clamp holder left |
| 19 | 1 | 260852 | SS clamp holder right |
| 20 | 1 | 1601311 | Element 2200W/230V with SS nuts |
| 21 | 3 | 1206290 | Outlet valve 24V black |
| 22 | 4 | 150501 | Tube silicon 8-12mm, sale in M |
| 23 | 1 | 1561014 | Inlet pipe tank |
| 24 | 1 | 140330 | Clamp 13.3mm |
| 25 | 1 | 1666013 | Harness water level sensor |
| 26 | 1 | 1660057 | Valve coil 24V DC black |
| 27 | 1 | 1660058 | Valve metal plunger and spring |
| 28 | 1 | 1501193 | valve silicone plunger |
| 29 | 1 | 1660060 | Valve upper body |
| 30 | 1 | 1206451 | Valve body o-ring |
| 31 | 1 | 1660062 | Valve lower body |
| 32 | 1 | 1206452 | O-ring adjustment screw |

Drawing



Tank 5L-ME

+7(812)987-08-81

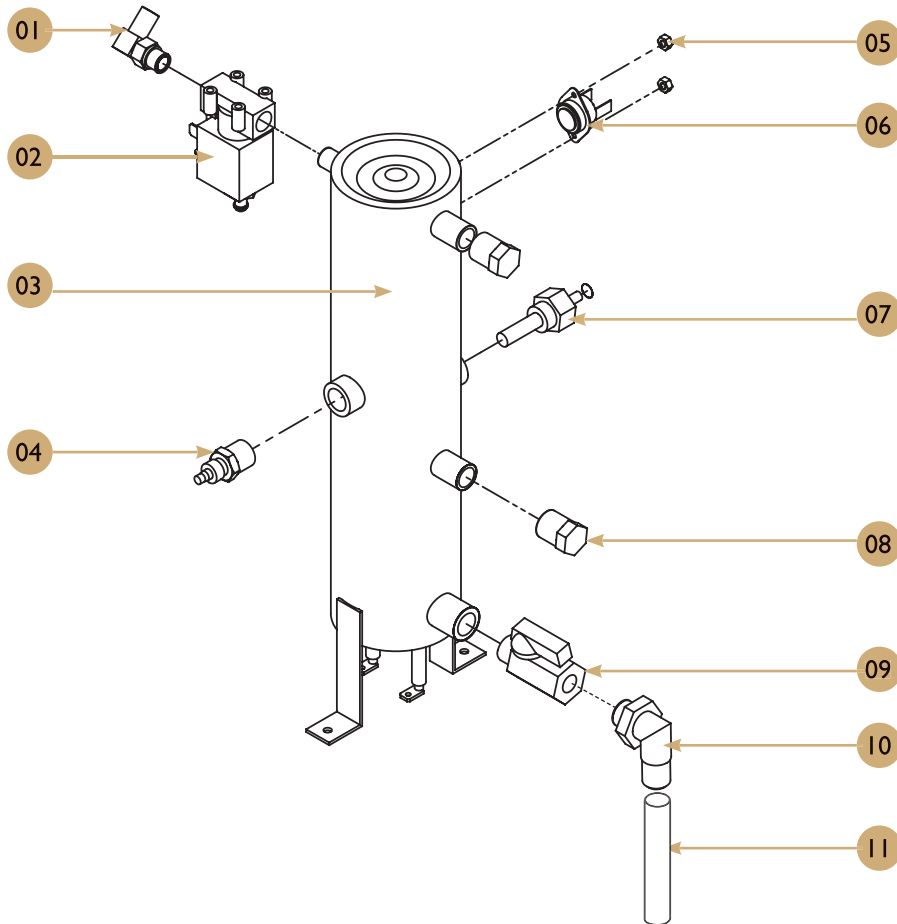
Spare parts list

| POS. | PCS | Part No. | Description |
|------|-----|-----------|------------------------------------|
| 01 | 1 | 1401101 | Nut M3 SS A2 |
| 02 | 1 | 1461008 | Spring washer M3 |
| 03 | 1 | 1364026 | Sensor short 60mm |
| 04 | 1 | 1205301 | Sensor long 90 mm |
| 05 | 1 | 1605362 | Double seal level sensor |
| 06 | 1 | 1666013 | Harness water level sensor |
| 07 | 1 | 1660057 | Valve coil 24V DC black |
| 08 | 1 | 1660058 | Valve metal plunger and spring |
| 09 | 1 | 1501193 | valve silicone plunger |
| 10 | 1 | 1660060 | Valve upper body |
| 11 | 1 | 1206452 | O-ring adjustment screw |
| 12 | 1 | 1206451 | Valve body o-ring |
| 13 | 1 | 1660062 | Valve lower body |
| 14 | 1 | 260851 | SS clamp holder left |
| 15 | 1 | 260852 | SS clamp holder right |
| 16 | 1 | 220220 | High limit switch |
| 17 | 1 | 1561014 | Inlet pipe tank |
| 18 | 1 | 250433 | Tank washer |
| 19 | 1 | 1402003 | Screw M4 x 16mm |
| 20 | 1 | 260144 | Tank lid fixture |
| 21 | 1 | 1206507 | Fiber washer |
| 22 | 1 | 1561012 | Seal gasket tank |
| 23 | 1 | 1206505 | Gasket for HI switch ber 16.8x12.4 |
| 24 | 1 | 1601311 | Element 2200W/230V with SS nuts |
| 25 | 1 | 1605363 | Silicone plug |
| 26 | 1 | 1561015 | Overflow pipe |
| 27 | 2 | 160538_03 | Plug for water outlet |
| 28 | 3 | 1561010 | Seal for outlet valve |
| 29 | 1 | 150501 | Tube silicone 8-12mm |
| 30 | 1 | 1206290 | Outlet valve black 24V |
| 31 | 1 | 711000 | NTC thermistor |
| 32 | 1 | 1605361 | Seal for NTC |
| 33 | 1 | 1201295 | Insulation 5L tanks (black 15mm) |

Boiler

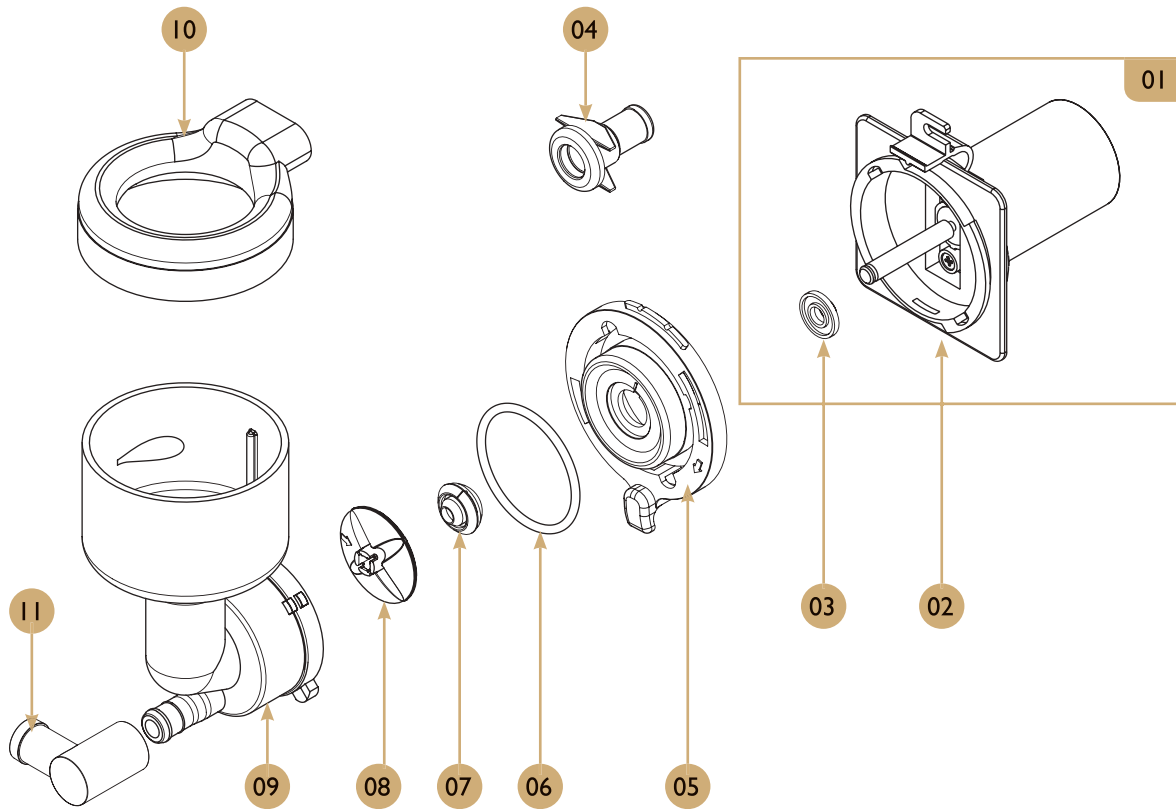
Drawing

+7(812)987-08-81



Spare parts list

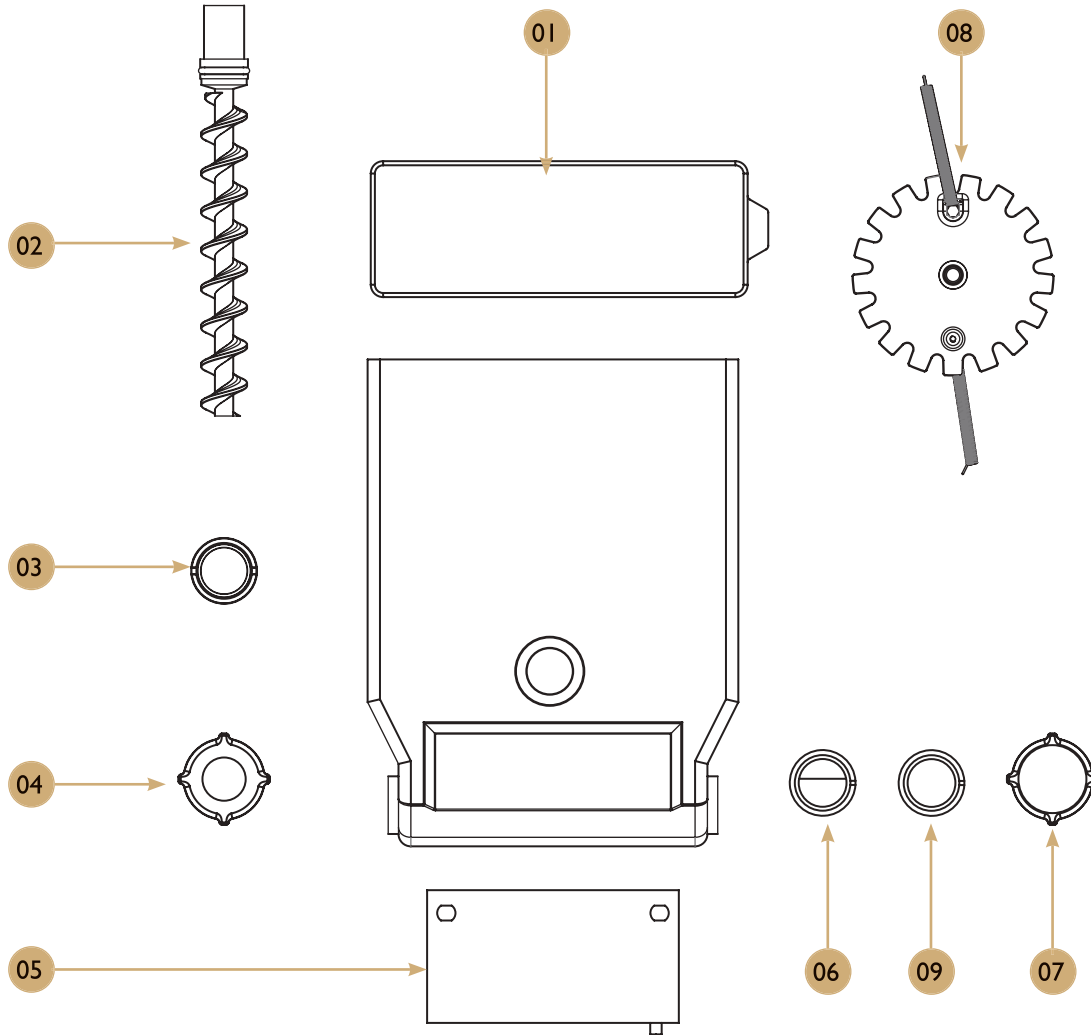
| POS. | PCS | Part No. | Description |
|------|-----|-----------|--|
| 01 | 1 | 1801129 | Connector L speed fitting G1-8-4mm |
| 02 | 1 | 1660050 | ODE 3way valve |
| 03 | 1 | C15100006 | Boiler 0.7L vending short feet version |
| 04 | 1 | 1860019 | Connector Straight Male G1/4-Tube 6 |
| 05 | 2 | 1401101 | M3 nut |
| 06 | 1 | C10200110 | Office thermostata 16A |
| 07 | 1 | 1660038 | NTC thermistor belong G1,4 |
| 08 | 2 | 260473 | Plug nut female G1.4 |
| 09 | 1 | 1860015 | Tap drainage G1/4M-G1/4F Left |
| 10 | 1 | C30000215 | Conical bend adaptor |
| 11 | 1 | 1561036 | Silicone tube 10x4 mm |



Spare parts list

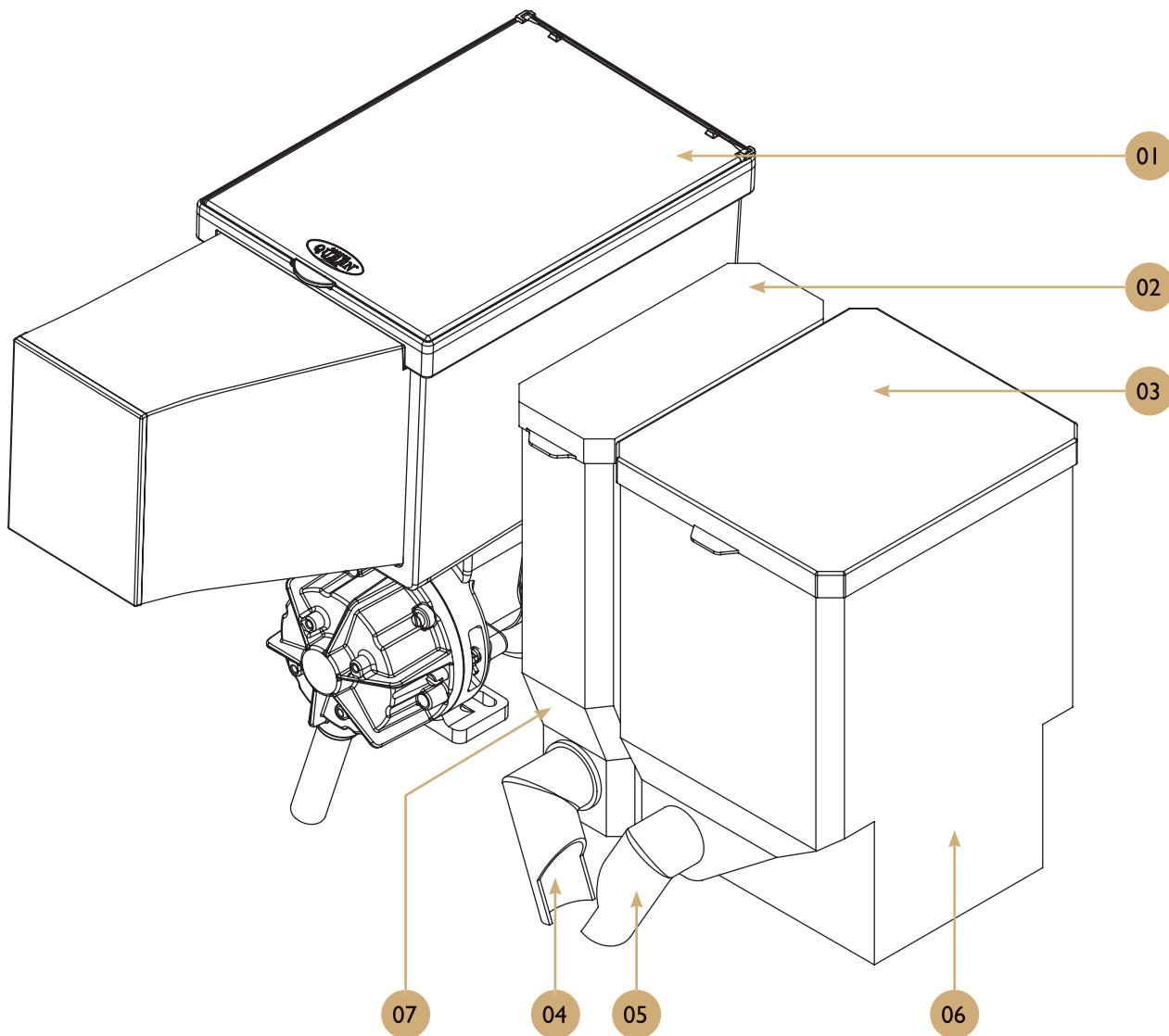
| POS. | PCS | Part No. | Description |
|------|-----|-----------|-------------------------|
| 01 | 1 | 7001111 | Whipper motor complete |
| 02 | 1 | 1206701 | Motor whipper plate |
| 03 | 1 | 1604804 | Slinger disc |
| 04 | 1 | 1206706 | Bulkhead adaptor black |
| 05 | 1 | 1206702 | Mounting plate |
| 06 | 1 | 120638 | O-ring |
| 07 | 1 | 120655-02 | Whipper shaft gasket |
| 08 | 1 | 1206703 | Whipper |
| 09 | 1 | 1206704 | Mixing bowl black |
| 10 | 1 | 1206707 | Steam trap black |
| 11 | 1 | 1206705 | Outlet elbow mixer bowl |

Drawing



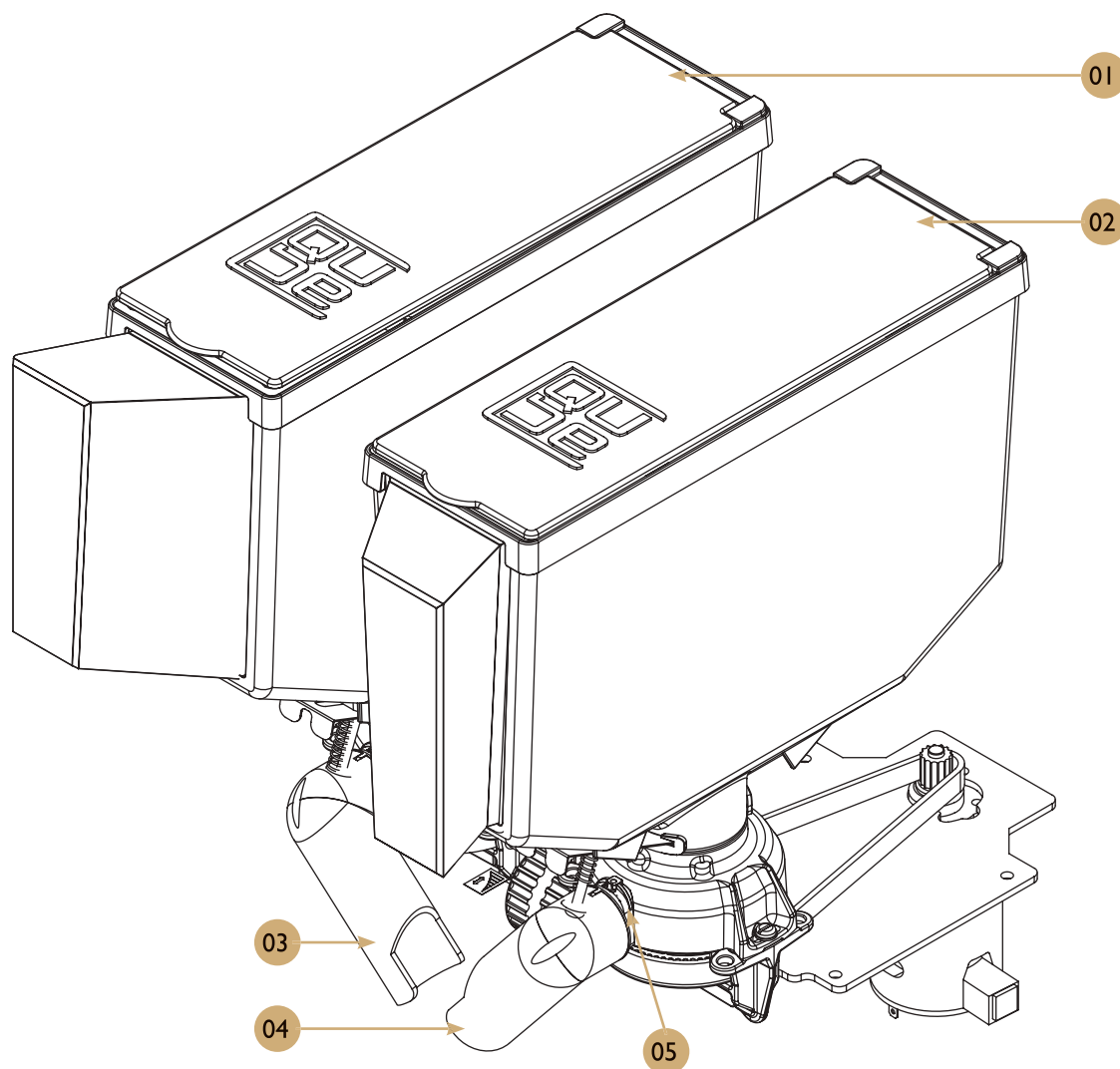
Spare parts list

| POS. | PCS | Part No. | Description |
|------|-----|----------|--------------------------------|
| 01 | 1 | 1204953 | Lid for 67mm canister |
| 02 | 1 | 1204715 | Auger |
| 03 | 1 | 1204777 | Rear flange |
| 04 | 1 | 1204776 | Plastic nut for auger (Rear) |
| 05 | 1 | 1204722 | Canister base W64 |
| 06 | 1 | 1206331 | FRONT FLANGE - REDUCED OPENING |
| 07 | 1 | 1204775 | Plastic Nut for Auger (Front) |
| 08 | 1 | 1204746 | Agitator |
| 09 | 1 | 120633 | FRONT FLANGE - FULLY OPEN |



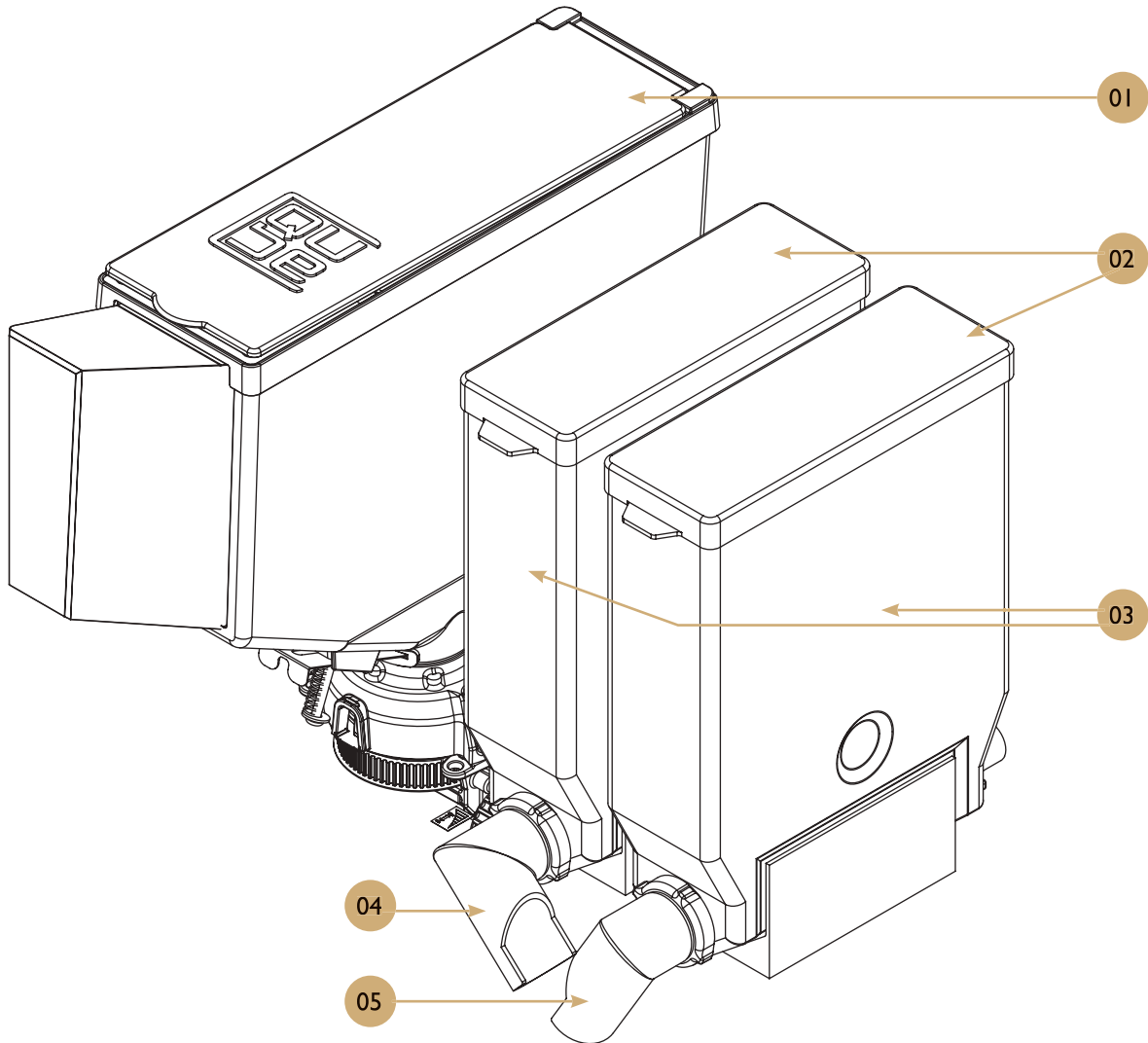
Spare parts list

| POS. | PCS | Part No. | Description |
|------|-----|----------|------------------------|
| 01 | 1 | 1105495 | Bean container low |
| 02 | 2 | 1204953 | Canister lid W67 |
| 03 | 2 | 1204952 | Canister lid W160 |
| 04 | 1 | 120489 | Concentrate pipe left |
| 05 | 1 | 120493 | Concentrate pipe right |
| 06 | 1 | 1204885 | Canister W160 H250 |
| 07 | 1 | 1204962 | Canister W64 H250 |



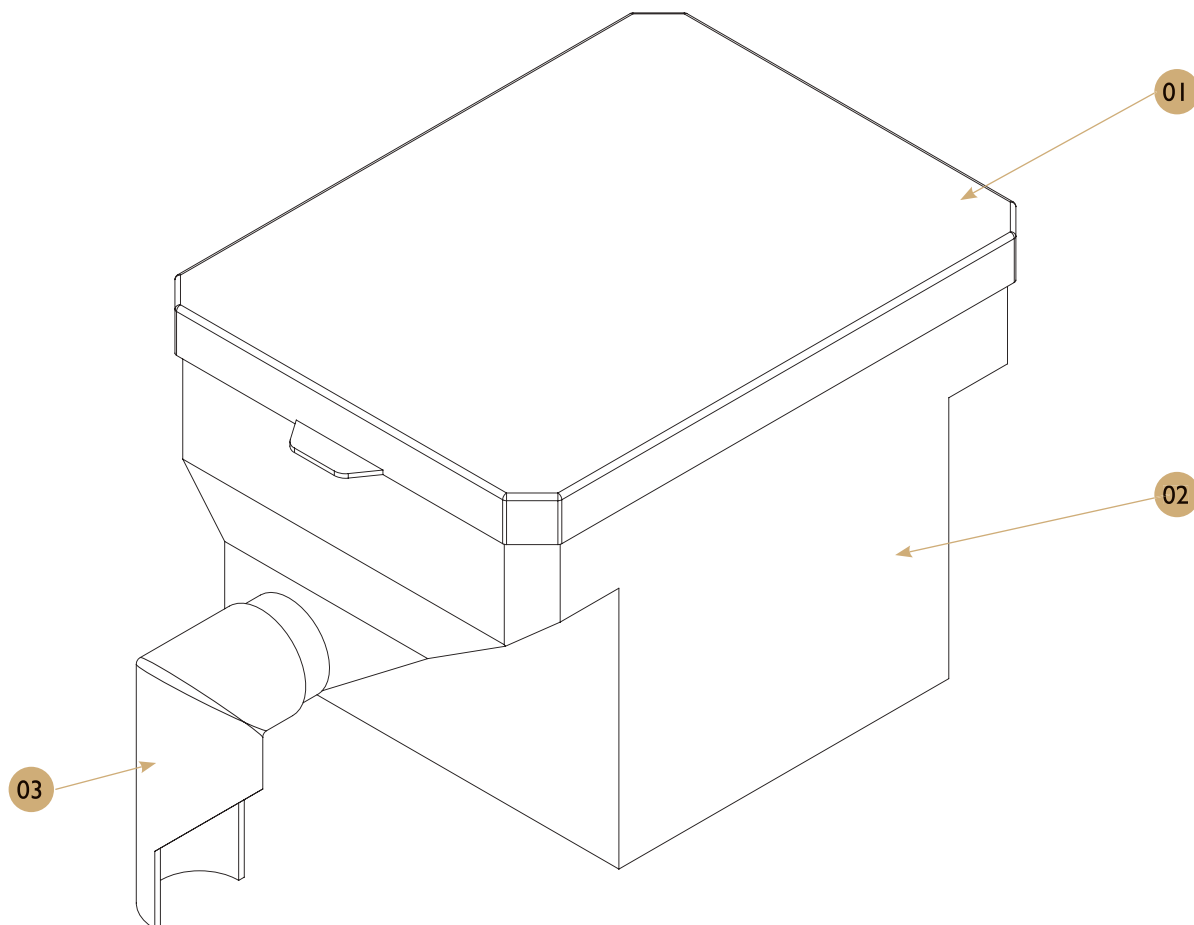
Spare parts list

| POS. | PCS | Part No. | Description |
|------|-----|----------|----------------------|
| 01 | 1 | 7160003 | Bean hopper left |
| 02 | 1 | 7160004 | Bean hopper right |
| 03 | 1 | 1264098 | Grinder outlet left |
| 04 | 1 | 1264099 | Grinder outlet right |
| 05 | 2 | 1264097 | Outlet holder EK-7 |



Spare parts list

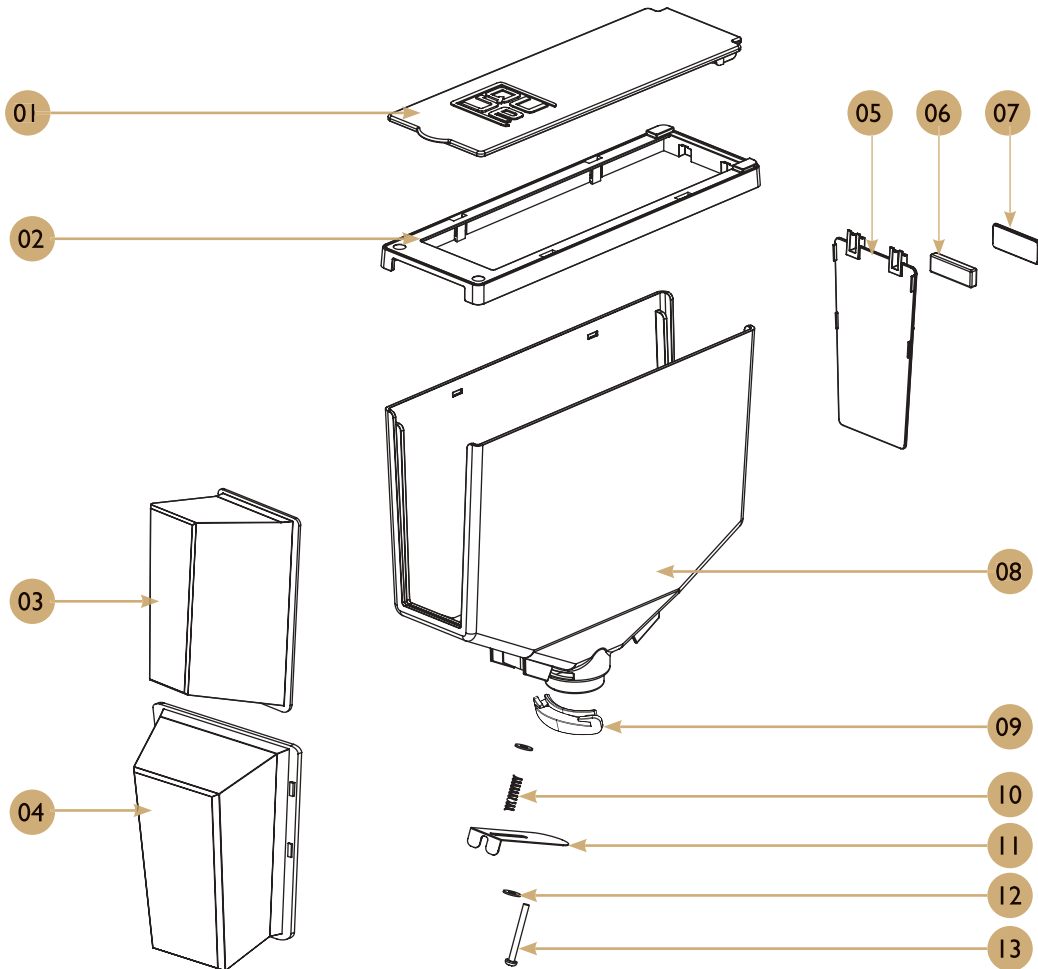
| POS. | PCS | Part No. | Description |
|------|-----|----------|------------------------|
| 01 | 1 | 7160003 | Bean container |
| 02 | 2 | 1204953 | Canister lid W67 |
| 03 | 2 | 1204962 | Canister W64 H250 |
| 04 | 1 | 120489 | Concentrate pipe left |
| 05 | 1 | 120493 | Concentrate pipe right |



Spare parts list

| POS. | PCS | Part No. | Description |
|------|-----|----------|-----------------------|
| 01 | 1 | 1205672 | Canister lid W137 |
| 02 | 1 | 1264039 | Canister W137 H130 |
| 03 | 1 | 120489 | Concentrate pipe left |

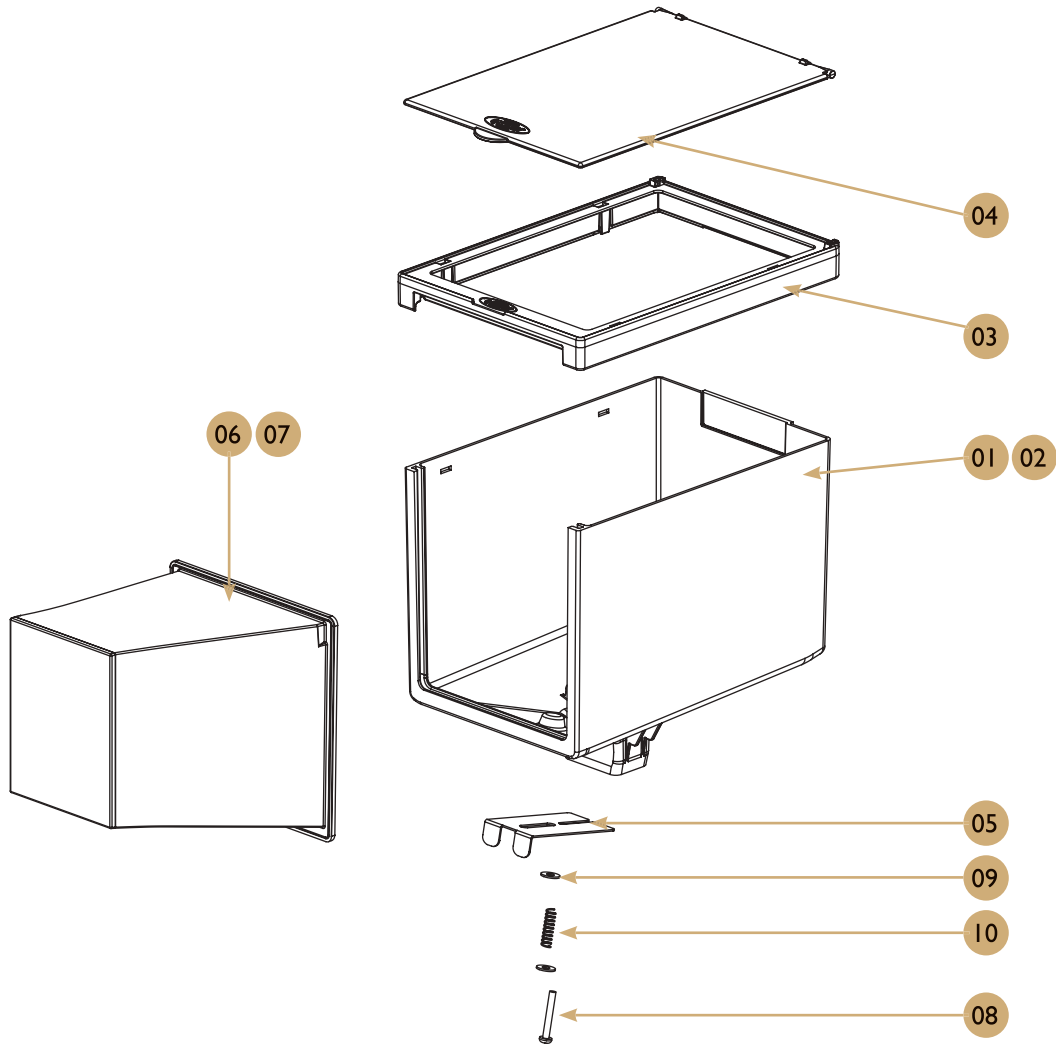
Drawing



Spare parts list

| POS. | PCS | Part No. | Description |
|------|-----|----------|-----------------------------------|
| 01 | 1 | 1105536 | Lid bean hopper CQUBE S |
| 02 | 1 | 1105537 | Bean hopper top lid CQUBE S |
| 03 | 1 | 1105538 | Front bean hopper small A (Left) |
| 04 | 1 | 1105539 | Front bean hopper small B (Right) |
| 05 | 1 | 1105547 | Bean hopper back panel |
| 06 | 1 | 1608281 | Magnet 39x13x6mm |
| 07 | 1 | 1105558 | Magnet lid |
| 08 | 1 | 1105535 | Bean hopper back CQube S |
| 09 | 1 | 1264083 | Sealing Rubber for Bean Hopper |
| 10 | 1 | 120224 | Spring for bean stop |
| 11 | 1 | 260336 | Bean stopper |
| 12 | 2 | 1461013 | Washer M4 A2 Flat DIN 15A |
| 13 | 1 | 1461005 | Screw M4x40 A2 PH recessa pan |

Drawing



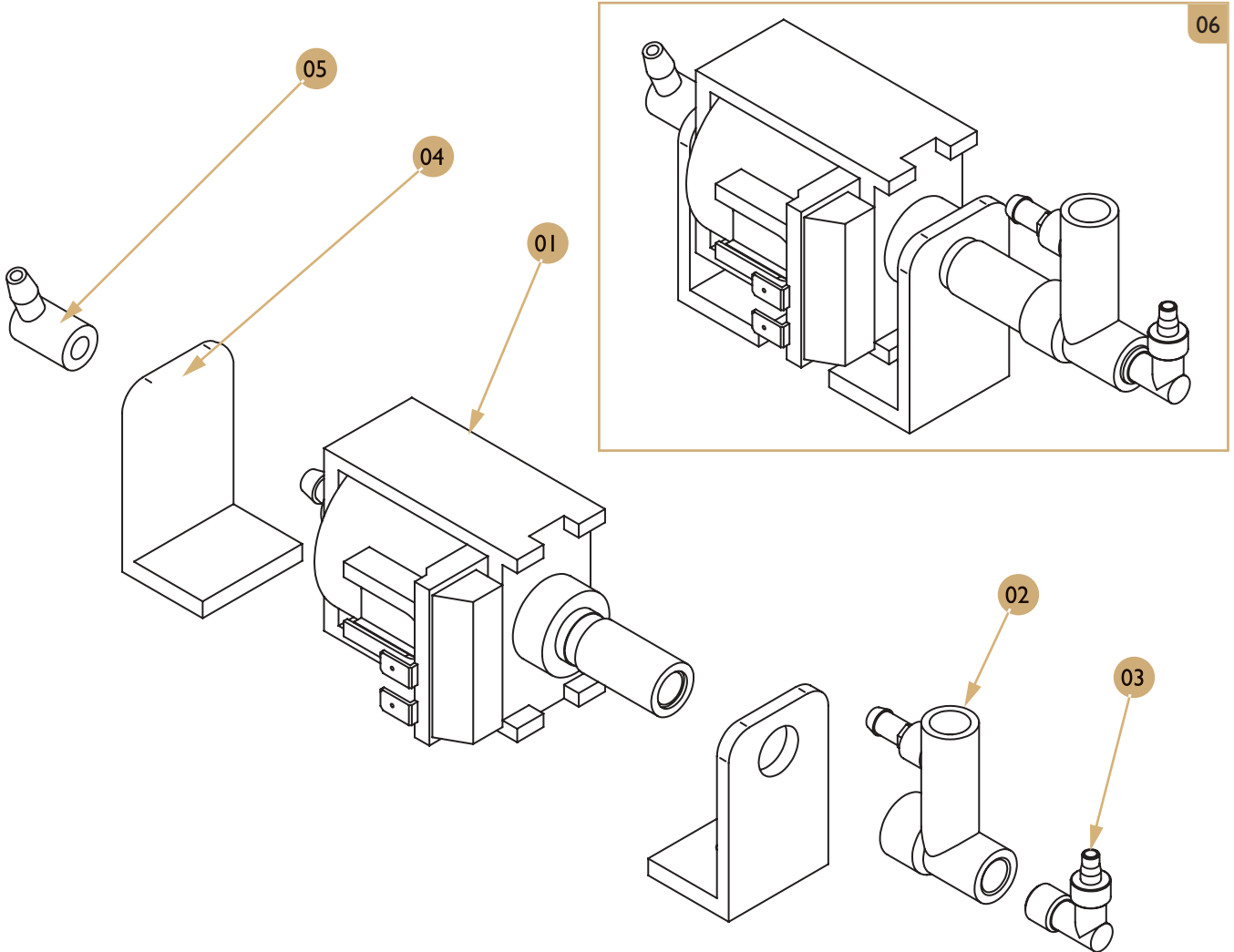
Spare parts list

| POS. | PCS | Part No. | Description |
|------|-----|----------|------------------------|
| 01 | 1 | 1105495 | Bean hopper low |
| 02 | 1 | 1105494 | Bean hopper high |
| 03 | 1 | 1105496 | Bean hopper sideboard |
| 04 | 1 | 1105497 | Bean hopper lid |
| 05 | 1 | 256035 | Bean stop |
| 06 | 1 | 1105499 | Front bean hopper low |
| 07 | 1 | 1105498 | Front bean hopper high |
| 08 | 1 | 1402005 | Screw M4x30 |
| 09 | 2 | 1461013 | Washer M4 |
| 10 | 1 | 120224 | Spring for bean stop |

Vibration pump

+7(812)987-08-81

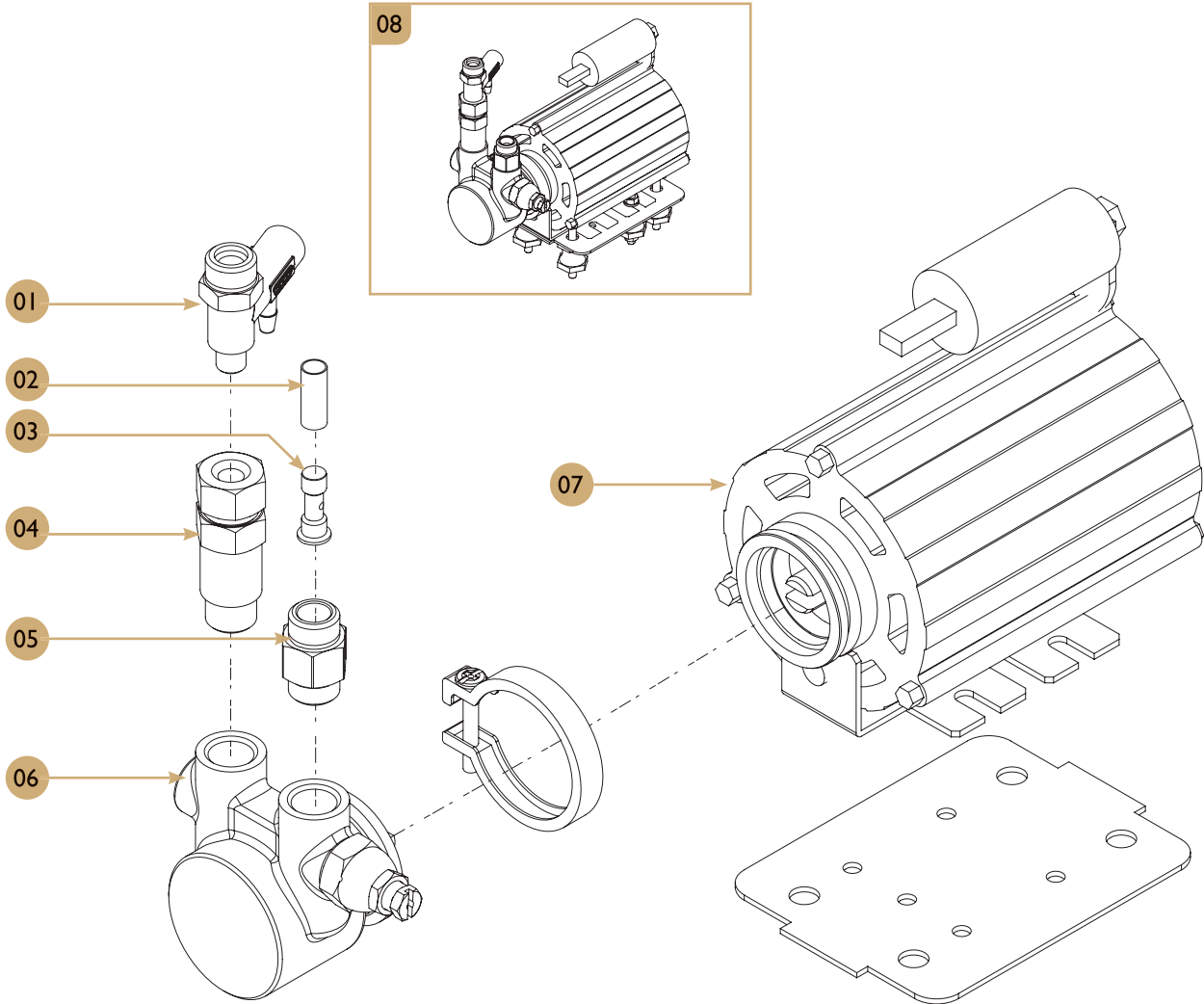
Drawing



Spare parts list

| POS. | PCS | Part No. | Description |
|------|-----|-----------|------------------------------------|
| 01 | 1 | C60000040 | Pump motor |
| 02 | 1 | C30400055 | Pump bypass |
| 03 | 1 | C30400010 | 90° racor male G1/8 - D6 |
| 04 | 2 | C30400060 | Vibrating pump support |
| 05 | 1 | C30400070 | 90° plastic connection office pump |
| 06 | 1 | CESC00001 | Vibration pump complete |

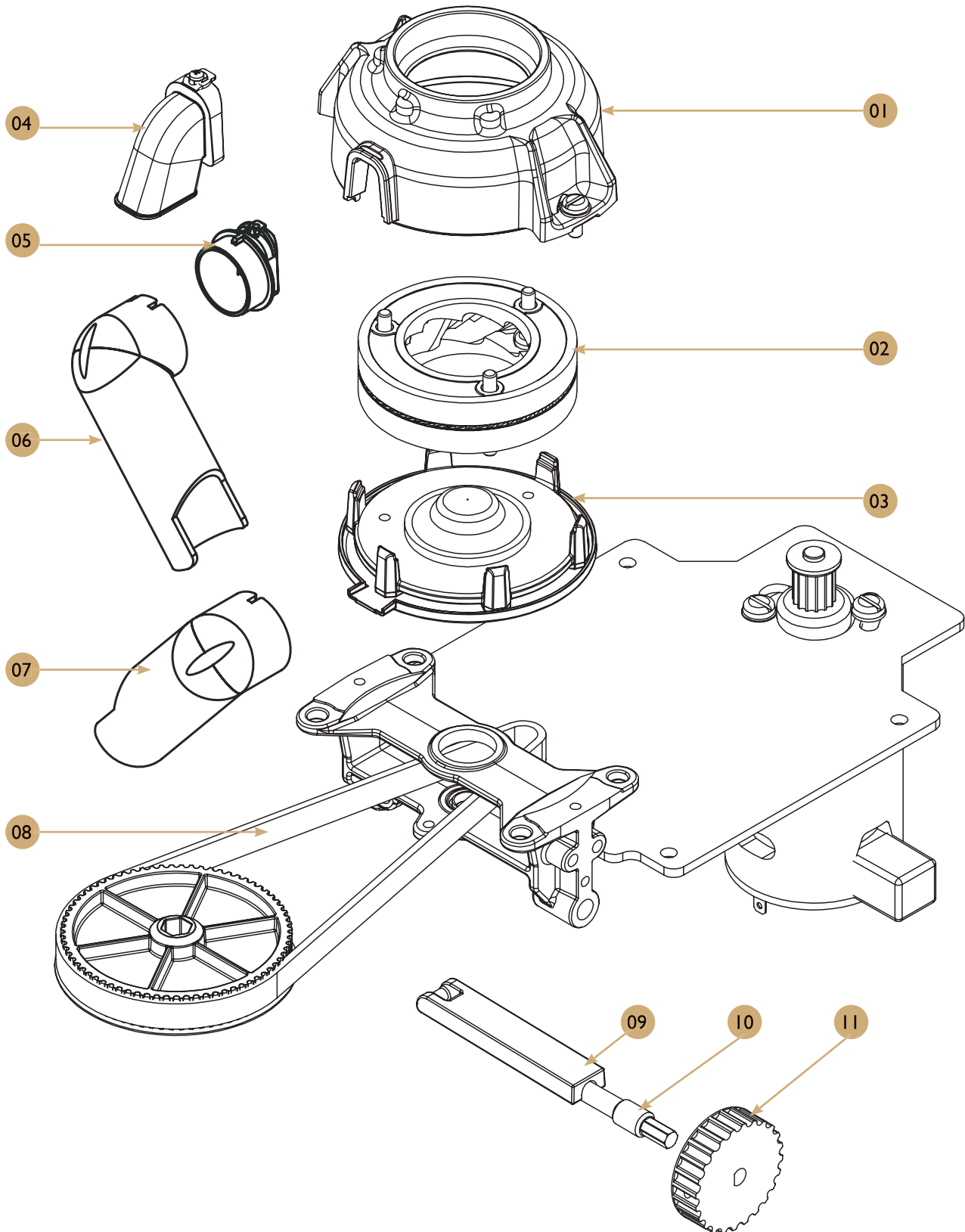
Drawing



Spare parts list

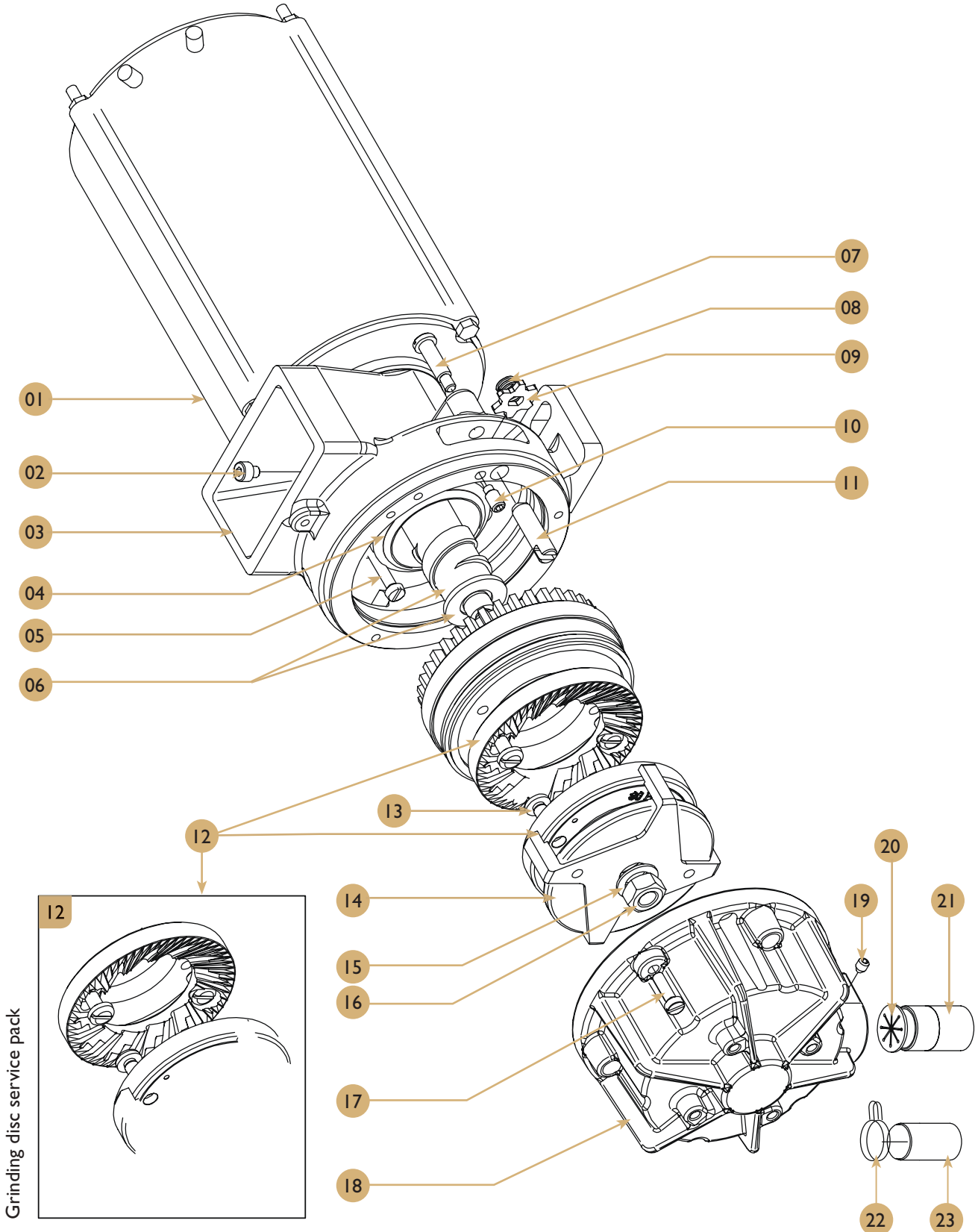
| POS. | PCS | Part No. | Description |
|------|-----|-----------|---------------------------|
| 01 | 1 | C30400055 | Pump bypass |
| 02 | 1 | C70000009 | Tubular group filter |
| 03 | 1 | C30100100 | Inlet water filter holder |
| 04 | 1 | C65000010 | Retention valve 3/8-1/8 |
| 05 | 1 | C30000240 | Pump adaptor 3/8-3/8 |
| 06 | 1 | C60000030 | Pump head |
| 07 | 1 | C60000016 | Crem 230V 50Hz |
| 08 | 1 | CASS00004 | Rotary pump complete |

Drawing



Spare parts list

| POS. | PCS | Part No. | Description |
|------|-----|----------|--------------------------------|
| 01 | 1 | 1965003 | Housing EK-7 |
| 02 | 1 | 1965005 | Grinding disc set EK-7 |
| 03 | 1 | 1965006 | Rotating burr carrier EK-7 |
| 04 | 1 | 1965004 | Standard outlet EK-7 |
| 05 | 1 | 1264097 | Outlet holder for EK-7 grinder |
| 06 | 1 | 1264098 | Grinder outlet left |
| 07 | 1 | 1264099 | Grinder outlet right |
| 08 | 3 | 1965007 | Grinder belt 420t EK-7 |
| 09 | 1 | 1965008 | Adjustment bar EK-7 |
| 10 | 2 | 260457 | Adjustable shaft |
| 11 | 2 | 1264033 | Adjustable wheel EK-7 |

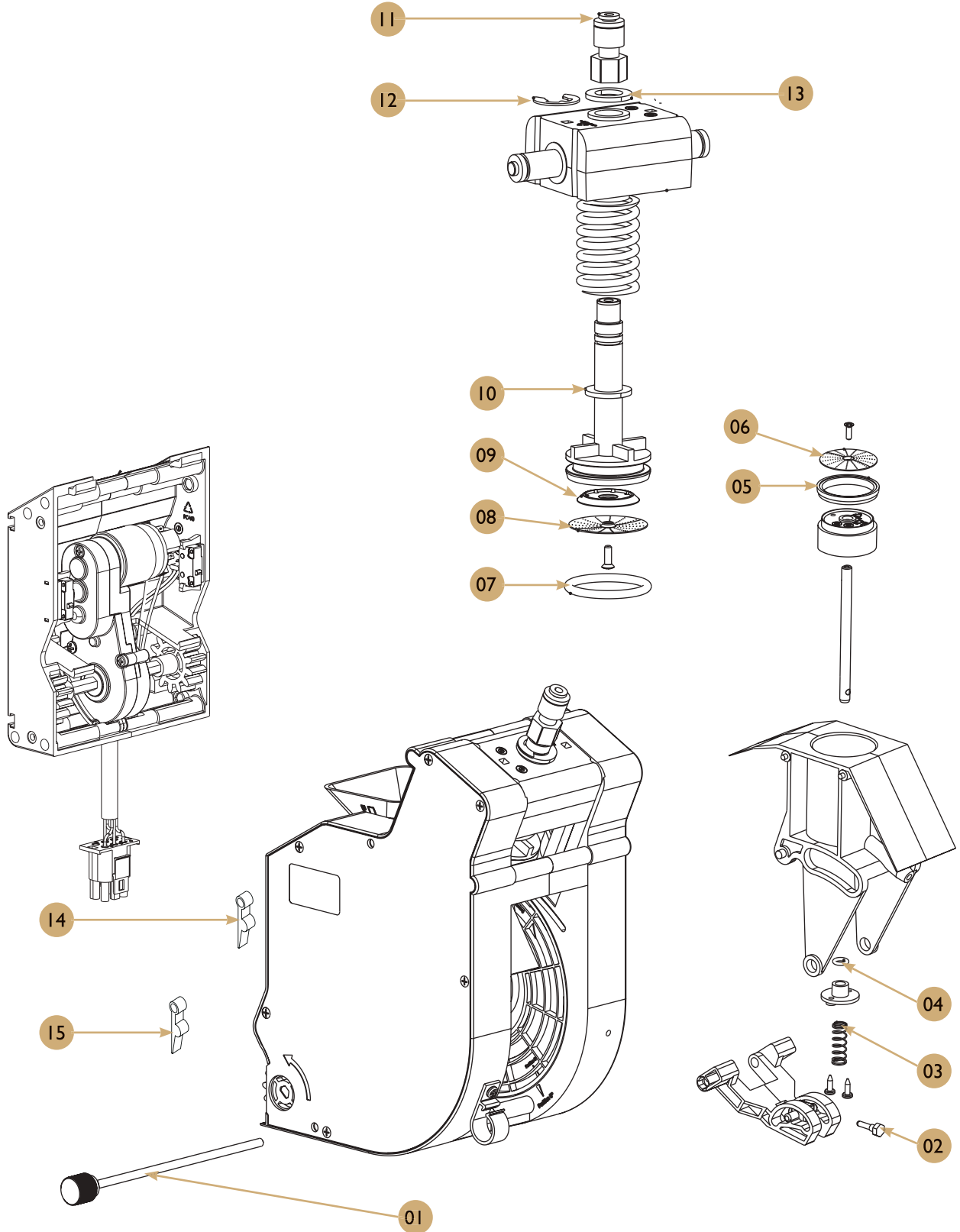


EK 21

+7(812)987-08-81

Spare parts list

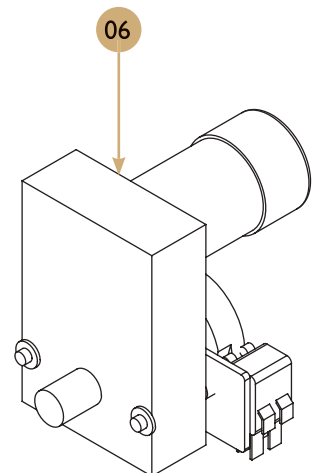
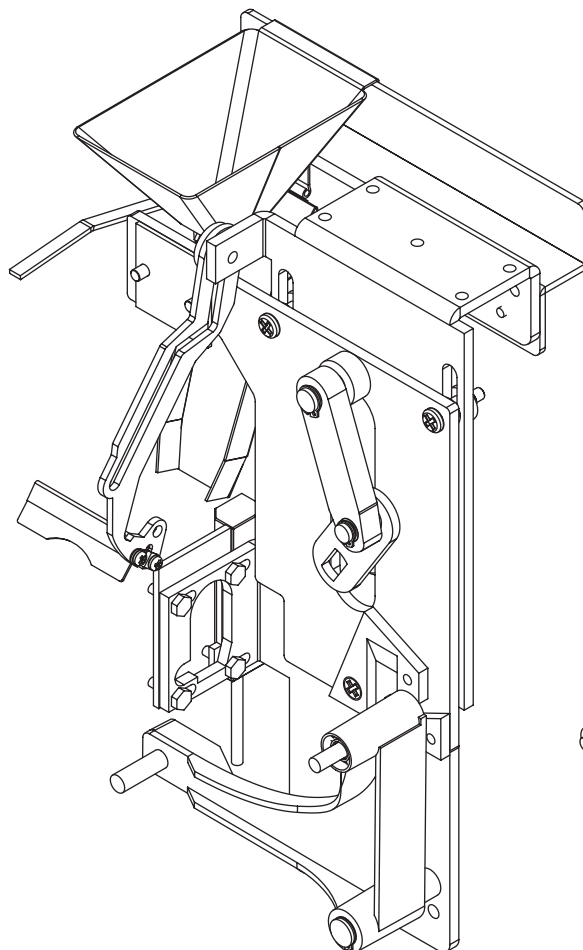
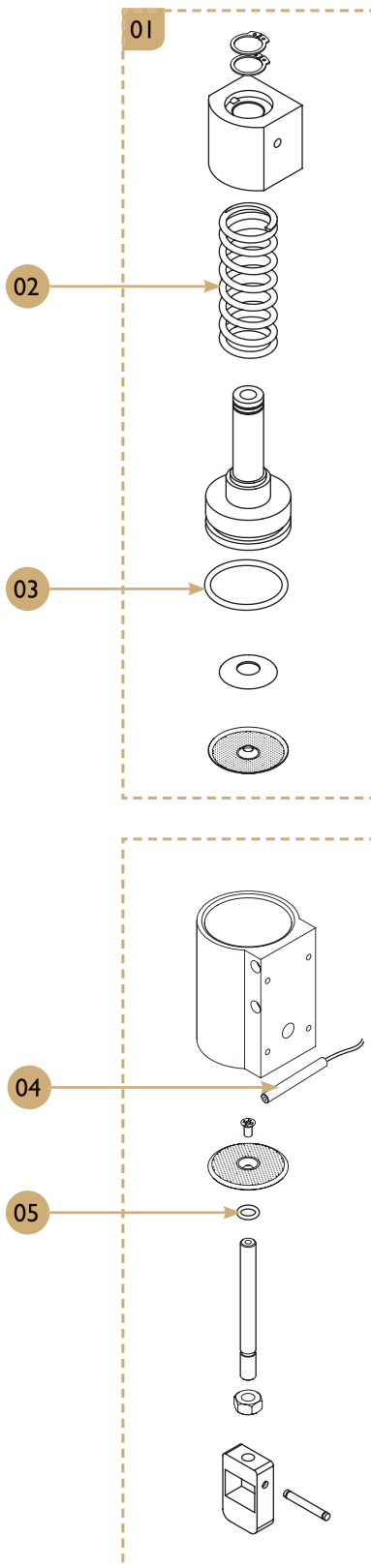
| POS. | PCS | Part No. | Description |
|------|-----|----------|--------------------------------------|
| 01 | 1 | 83230921 | Motor 200-240V/50/60Hz |
| 02 | 1 | 83250823 | Allen screw, M4x4 |
| 03 | 1 | 83230939 | Bean inlet housing EK21 |
| 04 | 1 | 83255509 | O-Ring 35x4 |
| 05 | 3 | 83250822 | Cylinder screw, M4x50 |
| 06 | 1 | 83230928 | Conveying screw EK21 |
| 07 | 1 | 83250821 | Slotted head screw, M4x16 |
| 08 | 1 | 83243678 | Pressure spring |
| 09 | 1 | 83307991 | Adjustment pinion |
| 10 | 1 | 83250742 | Allen set screw, DIN916-M5x10 |
| 11 | 1 | 83243677 | Adjustment shaft |
| 12 | 1 | 83306715 | Grinder discs EK21 (service pack) |
| 13 | 4 | 83250614 | Slotted head screw |
| 14 | 1 | 83230926 | Grinding disc carrier - rotating |
| 15 | 1 | 83251601 | Washer, 10x16x1 |
| 16 | 1 | 83251043 | Hexagon nut left hand thread-M8L-08d |
| 17 | 3 | 83250408 | Slotted head screw, M4x14 |
| 18 | 1 | 83100914 | Grinder Housing |
| 19 | 1 | 83250743 | Allen set screw, DIN916-M4x5 |
| 20 | 1 | 83243641 | Silicone flapper for grinder |
| 21 | 1 | 83243642 | Coffee outlet spout |
| 22 | 1 | 140335 | Tube clamp 19.2 mm |
| 23 | 1 | 1505081 | Silicon hose ID16 OD19mm |



Spare parts list

| POS. | PCS | Part No. | Description |
|------|-----|----------|--------------------------------|
| 01 | 1 | 1201635 | Group fixation pin |
| 02 | 1 | 1201627 | Shaft lock screw |
| 03 | 1 | 1201626 | Compression spring |
| 04 | 1 | 1201628 | Chamber o-ring 2025 |
| 05 | 1 | 1201625 | Ring sealing |
| 06 | 1 | 1201624 | Chamber Filter |
| 07 | 1 | 1201633 | Piston o-ring 29.75X3.53 |
| 08 | 1 | 1201624 | Piston Filter |
| 09 | 1 | 1201632 | Shower reducer |
| 10 | 1 | 1201631 | Piston washer 20x12, 1x2 |
| 11 | 1 | 1201629 | Speed fitting 4mm |
| 12 | 1 | 1201630 | Lock washer |
| 13 | 1 | 1201631 | Piston adjustment washer 20x12 |
| 14 | 1 | 1201622 | Switch arm, right |
| 15 | 1 | 1201623 | Switch arm, left |

Drawing



Spare parts list

| POS. | PCS | Part No. | Description |
|------|-----|----------|-----------------------|
| 01 | 1 | 1201383 | Upper piston complete |
| 02 | 1 | 1202284 | Piston spring |
| 03 | 1 | 1206440 | O-ring 45mm |
| 04 | 1 | 1201384 | Cylinder preheater |
| 05 | 1 | 1206441 | O-ring 8mm |
| 06 | 1 | 1201382 | Brewer motor complete |