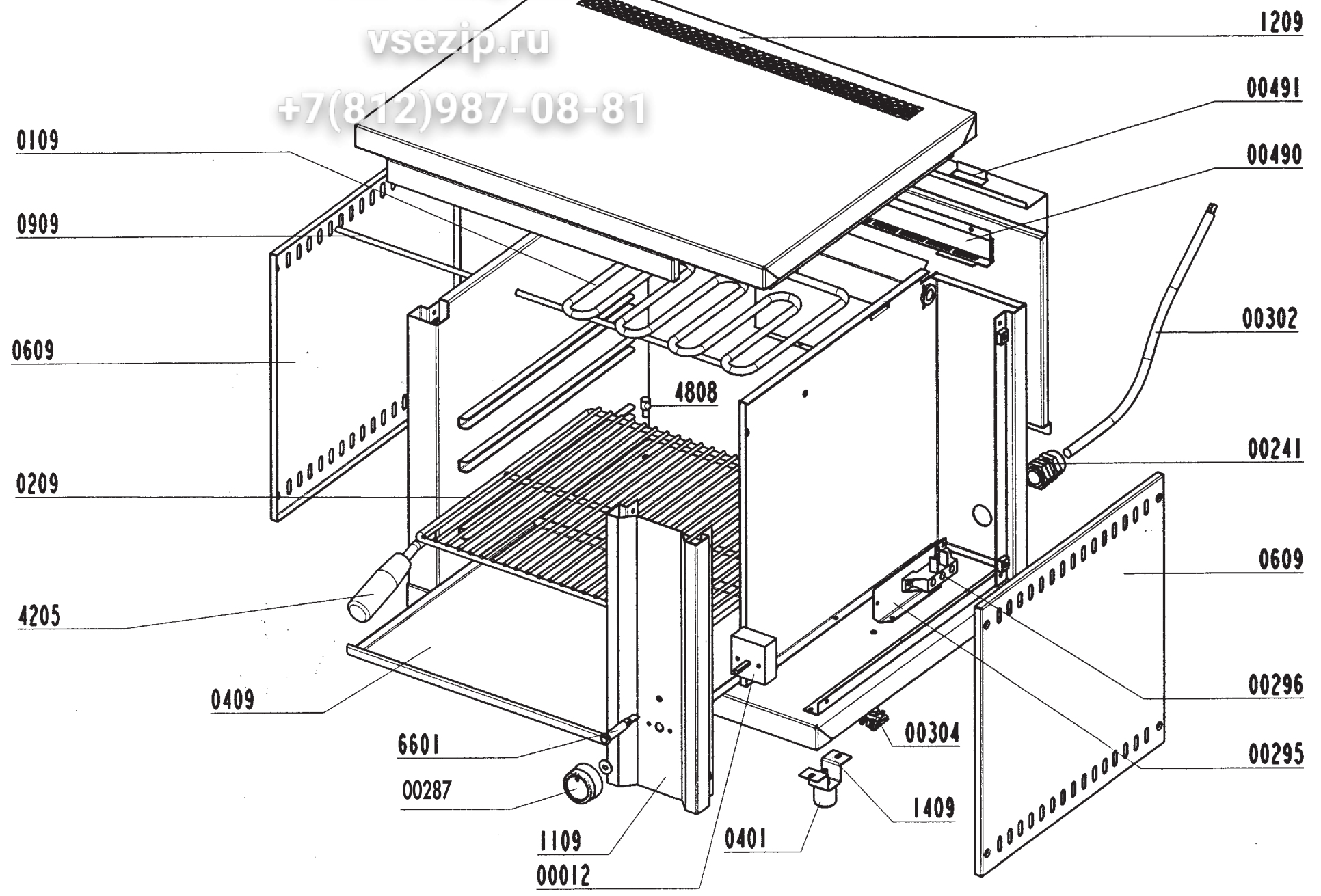


Зип Общепит  
vsezip.ru  
+7(812)987-08-81



Artic./Item	Descrizione/Description		Modello/Model
216022	SALAMANDRA CHIUSA SU 3 LATI SALAMANDER CLOSED ON 3 SIDES		SEF1/0
Cons./Recom.	Pos./Posit.	Ricambio/Replacement	Prezzo/Price List
*	00000109	RC00000109 RESISTENZA ELETTRICA 2KW 230V	HEATING ELEMENT 46,89
	00000209	RC00000209 GRIGLIA CROMATA SEF 1	CHROMIUM-PLATED GRID SEF1 35,97
	00000401	RC00000401 PIEDINO IN GOMMA SEF-TS-IR	RUBBER FOOT 4,08
	00000409	RC00000409 BACINELLA RAC.GRASSI SEF1	DRIP TRAY 51,08
	00000609	RC00000609 PANNELLO LATERALE SEF	SIDE PANEL SEF 25,15
	00000909	RC00000909 TONDINO SUPPORTO RESISTENZA SEF1	HEATING ELEMENT SUPPORT BAR SEF1 5,19
	00001209	RC00001209 CIELO ESTERNO SEF1	EXTERNAL TOP PANEL SEF1 83,75
	00004205	RC00004205 IMPUGNATURA IN BAKELITE	HANDLE 8,38
	00004808	RC00004808 ARRESTO TELAIO	FRAME STOP 4,97
*	00012000	RC00012000 REGOLATORE DI ENERGIA 220V	ENERGY REGULATOR 23,94
	00241000	RC00241000 PRESSACAVO PG16 CON DADO	CABLE GLAND AND NUT 7,18
	00295000	RC00295000 SUPPORTO MORSETTIERA SNACK	SUPPORT FOR CONNECTING BLOCK SNACK 61,89
	00296000	RC00296000 MORSETTIERA MONOFASE	CONNECTING BLOCK 6,62
	00304000	RC00304000 MORSETTO EQUIPOTENZIALE COMPLETO	EQUIPOTENTIAL CONNECTING BLOCK 6,62
	00490000	RC00490000 COPERCHIO RESISTENZE SEF1	HEATING ELEMENTS SHIELD SEF1 16,94
	00491000	RC00491000 PANNELLO CHIUSURA SEF1	LOCK PANEL SEF1 29,33
*	01782000	RC01782000 LAMPADA SEGN.NEON FASTON VERDE 230V	GREEN NEON LAMP 230V 6,09
*	01783000	RC01783000 PORTALAMPADA TRASPARENTE D10	TRANSPARENT LAMP HOLDER D10 5,30
	01877000	RC01877000 MANOPOLA ELETTRICA 0-6+INF NERA	BLACK KNOB 8,44
	02075000	RC02075000 MANOPOLA ELETTRICA 0-6+INF GRIGIA	GREY KNOB 9,05
	02098000	RC02098000 FONDO SEF1	SEF1 BOTTOM 56,80