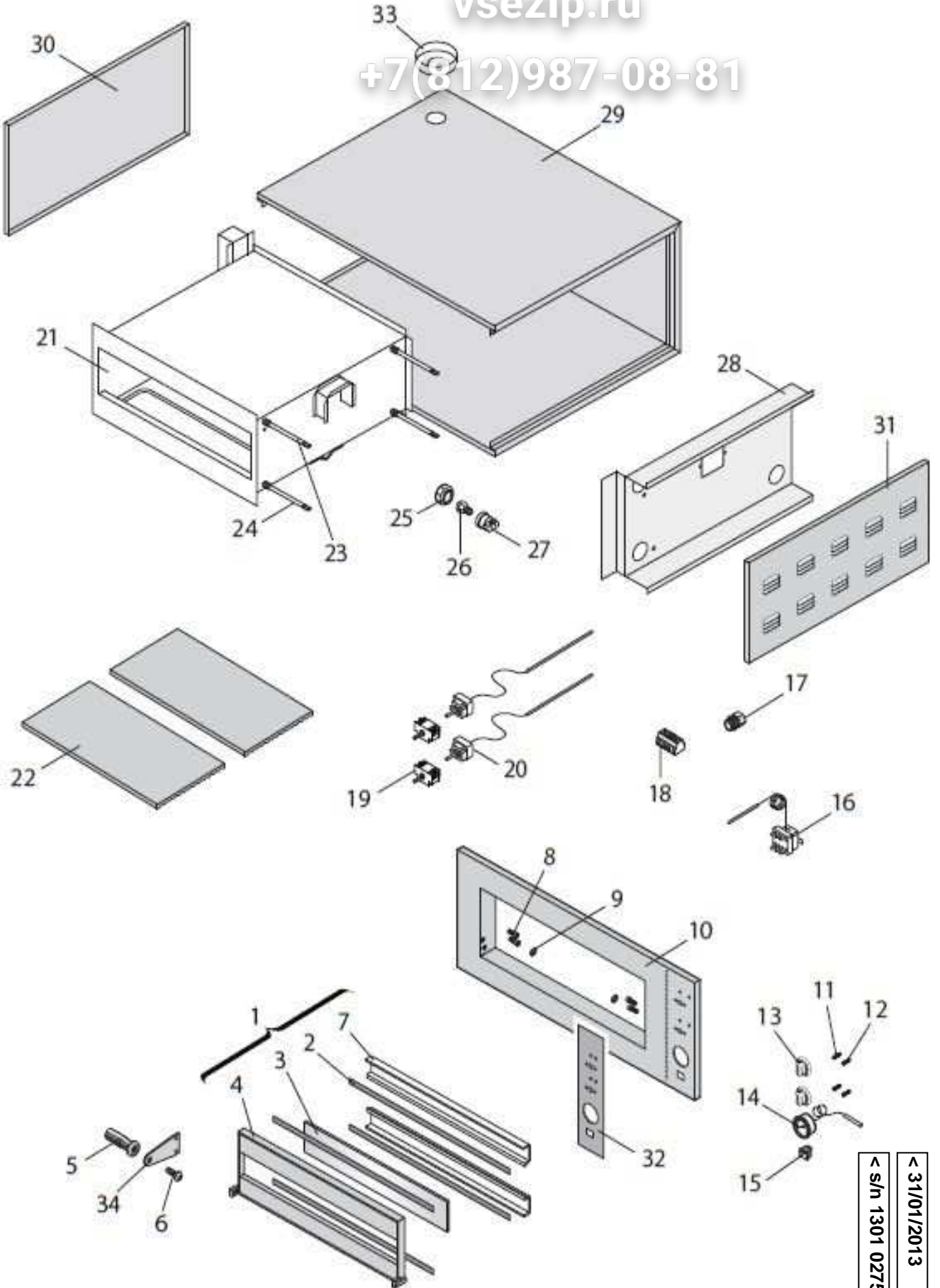


Зип Общепит

vsezip.ru

+7(812)987-08-81



ESCLUSIVA PROPRIETA' DELLA DITTA SUPPONE F. LI. SRL - EXCLUSIVE PROPERTY OF THE COMPANY SUPPONE F. LI. SRL

< 31/01/2013

< s/n 1301 0275

LISTA RICAMBI Tiziano MAGGIO 2013.xls

MAGGIO 2013

MAY 2013

MAI 2013

Tiziano

MAI 2013

МАУО 2013

Май 2013

Nr.	Codice Code Código	Descrizione	Description	Beschreibung	Description	Descr
1	92810060	Assieme porta TZ420/1M	Door unit TZ420/1M	Türensatz TZ420/1M	Ensemble porte TZ420/1M	Conjunto de puerta
1	92810061	Assieme porta TZ425	Door unit TZ425	Türensatz TZ425	Ensemble porte TZ425	Conjunto de puerta
1	92810062	Assieme porta TZ430	Door unit TZ430	Türensatz TZ430	Ensemble porte TZ430	Conjunto de puerta
1	92810063	Assieme porta TZ435	Door unit TZ435	Türensatz TZ435	Ensemble porte TZ435	Conjunto de puerta
2	92820160	Guarnizione vetro TZ420/1M	Glass gasket TZ420/1M	Scheibendichtung TZ420/1M	Joint vitre TZ420/1M	Junta del cristal TZ
2	92820161	Guarnizione vetro TZ425	Glass gasket TZ425	Scheibendichtung TZ425	Joint vitre TZ425	Junta del cristal TZ
2	92820162	Guarnizione vetro TZ430	Glass gasket TZ430	Scheibendichtung TZ430	Joint vitre TZ430	Junta del cristal TZ
2	92820163	Guarnizione vetro TZ435	Glass gasket TZ435	Scheibendichtung TZ435	Joint vitre TZ435	Junta del cristal TZ
3	91610017	Vetro porta TZ420 426X93	Door glass TZ420 426X93	Türscheibe TZ420 426X93	Vitre porte TZ420 426X93	Cristal de la pu 426X93
3	91610009	Vetro porta TZ425 526X93	Door glass TZ425 526X93	Türscheibe TZ425 526X93	Vitre porte TZ425 526X93	Cristal de la pu 526X93
3	91610001	Vetro porta TZ430 626X93	Door glass TZ430 626X93	Türscheibe TZ430 626X93	Vitre porte TZ430 626X93	Cristal de la pu 626X93
3	91610003	Vetro porta TZ435 726X93	Door glass TZ435 726X93	Türscheibe TZ435 726X93	Vitre porte TZ435 726X93	Cristal de la pu 726X93
4	92820130	Struttura porta TZ420/1M	Door structure TZ420/1M	Türrahmen TZ420/1M	Structure porte TZ420/1M	Estructura de TZ420/1M
4	92820131	Struttura porta TZ425	Door structure TZ425	Türrahmen TZ425	Structure porte TZ425	Estructura de la pu
4	92820132	Struttura porta TZ430	Door structure TZ430	Türrahmen TZ430	Structure porte TZ430	Estructura de la pu
4	92820133	Struttura porta TZ435	Door structure TZ435	Türrahmen TZ435	Structure porte TZ435	Estructura de la pu
5	91510010 91510060	Manopola	Knob	Drehknopf	Manette	Mango
6	91110007	Vite inox TBE M12x30	St. steel TBE M12x30 screws	Schraube Edelstahl TBE M12x30	Vis inox TBE M12x30	Tornillo inox TBE M
7	92820150	Profilo fermavetro TZ420/1M	Glazing bead profile TZ420/1M	Glashalteprofil TZ420/1M	Profil blocage vitre TZ420/1M	Perfil de sujeción TZ420/1M
7	92820151	Profilo fermavetro TZ425	Glazing bead profile TZ425	Glashalteprofil TZ425	Profil blocage vitre TZ425	Perfil de sujeción TZ425
7	92820152	Profilo fermavetro TZ430	Glazing bead profile TZ430	Glashalteprofil TZ430	Profil blocage vitre TZ430	Perfil de sujeción TZ430
7	92820153	Profilo fermavetro TZ435	Glazing bead profile TZ435	Glashalteprofil TZ435	Profil blocage vitre TZ435	Perfil de sujeción TZ435
8	91110010	Vite zincata TCE M8x16	Zinc-coated TCE M8x16 screws	Schraube verzinkt TCE M8x16	Vis galvanisée TCE M8x16	Tornillo galvani M8x16
9	92810140	Rondella porta	Door washer	Unterlegscheibe Tür	Rondelle porte	Arandela de la pu

Nr.	Codice Code Código	Descrizione	Description	Beschreibung	Description	Descr
10	92810010	Facciata completa TZ420/1M	Entire face TZ420/1M	Vorderfront komplett TZ420/1M	Façade complète TZ420/1M	Frontal completo T
10	92810011	Facciata completa TZ425/1M	Entire face TZ425/1M	Vorderfront komplett TZ425/1M	Façade complète TZ425/1M	Frontal completo T
10	92810012	Facciata completa TZ430/1M	Entire face TZ430/1M	Vorderfront komplett TZ430/1M	Façade complète TZ430/1M	Frontal completo T
10	92810013	Facciata completa TZ435/1M	Entire face TZ435/1M	Vorderfront komplett TZ435/1M	Façade complète TZ435/1M	Frontal completo T
10	92810021	Facciata completa TZ425/2M	Entire face TZ425/2M	Vorderfront komplett TZ425/2M	Façade complète TZ425/2M	Frontal completo T
10	92810022	Facciata completa TZ430/2M	Entire face TZ430/2M	Vorderfront komplett TZ430/2M	Façade complète TZ430/2M	Frontal completo T
10	92810023	Facciata completa TZ435/2M	Entire face TZ435/2M	Vorderfront komplett TZ435/2M	Façade complète TZ435/2M	Frontal completo T
11	91310115	Lampada spia verde	Green indicator light	Grüne Kontrollleuchte	Voyant lumineux vert	Piloto verde
12	91310116	Lampada spia arancione	Orange indicator light	Orange Kontrollleuchte	Voyant lumineux orange	Piloto naranja
13	91510083	Manopola termostato 450° C	Thermostat knob 450° C	Thermostatdrehknopf 450° C	Manette thermostat 450° C	Rueda del termost
14	91410025	Pirometro	Pyrometer	Pyrometer	Pyromètre	Pirómetro
15	91310085	Interruttore verde 2P	Green 2P switch	Grüner Schalter 2P	Interrupteur vert 2P	Interruptor verde 2
16	91310051	Termostato di sicurezza	Safety thermostat	Sicherheitsthermostat	Thermostat de sécurité	Termostato de seg
17	91510222	Pressacavo PG16	PG16 cable gland	Zugentlastung PG16	Serre-câble PG16	Sujetacable PG16
18	91310231	Morsettiera G10/5	G10/5 terminal board	Klemmenbrett G10/5	Bornier G10/5	Regleta de bornes
19	91310095	Interruttore per termostato	Thermostat switch	Thermostatschalter	Interrupteur pour thermostat	Interruptor para ter
20	91310003	Termostato monofase 450° C	Single-phase thermostat 450° C	Einphasiger Thermostat 450° C	Thermostat monophasé 450° C	Termostato monof
21	92810000	Camera completa TZ420	Entire chamber TZ420	Komplette Kammer TZ420	Chambre complète TZ420	Cámara completa
21	92810001	Camera completa TZ425	Entire chamber TZ425	Komplette Kammer TZ425	Chambre complète TZ425	Cámara completa
21	92810002	Camera completa TZ430	Entire chamber TZ430	Komplette Kammer TZ430	Chambre complète TZ430	Cámara completa
21	92810003	Camera completa TZ435	Entire chamber TZ435	Komplette Kammer TZ435	Chambre complète TZ435	Cámara completa

Зип Общепит

vsezip.ru

+7(812)987-08-81

Nr.	Codice Code Código	Descrizione	Description	Beschreibung	Description	Description
22	91610120	Mattone refrattario TZ420 416X416	Firebrick TZ420 416X416	Schamottestein TZ420 416X416	Brique réfractaire TZ420 416X416	Ladrillo refracta 416X416
22	91610125	Mattone refrattario TZ425 258X516	Firebrick TZ425 258X516	Schamottestein TZ425 258X516	Brique réfractaire TZ425 258X516	Ladrillo refracta 258X516
22	91610130	Mattone refrattario TZ430 308X616	Firebrick TZ430 308X616	Schamottestein TZ430 308X616	Brique réfractaire TZ430 308X616	Ladrillo refracta 308X616
22	91610140	Mattone refrattario TZ435 358X716	Firebrick TZ435 358X716	Schamottestein TZ435 358X716	Brique réfractaire TZ435 358X716	Ladrillo refracta 358X716
23	91711014	Resistenza superiore TZ420 230V 1500W	Upper heating element TZ420 230V 1500W	Oberer Heizwiderstand TZ420 230V 1500W	Résistance supérieure TZ420 230V 1500W	Resistencia sup 230V 1500W
23	91711015	Resistenza superiore TZ425 230V 2400W	Upper heating element TZ425 230V 2400W	Oberer Heizwiderstand TZ425 230V 2400W	Résistance supérieure TZ425 230V 2400W	Resistencia sup 230V 2400W
23	91711016	Resistenza superiore TZ430 230V 2800W	Upper heating element TZ430 230V 2800W	Oberer Heizwiderstand TZ430 230V 2800W	Résistance supérieure TZ430 230V 2800W	Resistencia sup 230V 2800W
23	91711017	Resistenza superiore TZ435 230V 3200W	Upper heating element TZ435 230V 3200W	Oberer Heizwiderstand TZ435 230V 3200W	Résistance supérieure TZ435 230V 3200W	Resistencia sup 230V 3200W
24	91711009	Resistenza inferiore TZ420 230V 800W	Lower heating element TZ420 230V 800W	Unterer Heizwiderstand TZ420 230V 800W	Résistance inférieure TZ420 230V 800W	Resistencia infe 230V 800W
24	91711010	Resistenza inferiore TZ425 230V 1600W	Lower heating element TZ425 230V 1600W	Unterer Heizwiderstand TZ425 230V 1600W	Résistance inférieure TZ425 230V 1600W	Resistencia infe 230V 1600W
24	91711011	Resistenza inferiore TZ430 230V 1800W	Lower heating element TZ430 230V 1800W	Unterer Heizwiderstand TZ430 230V 1800W	Résistance inférieure TZ430 230V 1800W	Resistencia infe 230V 1800W
24	91711012	Resistenza inferiore TZ435 230V 2000W	Lower heating element TZ435 230V 2000W	Unterer Heizwiderstand TZ435 230V 2000W	Résistance inférieure TZ435 230V 2000W	Resistencia infe 230V 2000W
25	91610020	Globetto portalampade	Light bulb socket	Leuchtabdeckung	Globe porte-lampe	Cubierta portalámp
26	91310190	Lampada E14 15W 230V	E14 15W 230V light	Glühbirne E14 15W 230V	Lampe E14 15W 230V	Bombilla E14 15W
27	91310185	Portalampada E14	E14 light socket	Glühbirnenhalterung E14	Porte-lampe E14	Portalámparas E14
28	92810070	Intercapedine TZ420	Cavity TZ420	Zwischenblech TZ420	Isolation TZ420	Intersticio TZ420
28	92810071	Intercapedine TZ425	Cavity TZ425	Zwischenblech TZ425	Isolation TZ425	Intersticio TZ425
28	92810072	Intercapedine TZ430	Cavity TZ430	Zwischenblech TZ430	Isolation TZ430	Intersticio TZ430
28	92810073	Intercapedine TZ435	Cavity TZ435	Zwischenblech TZ435	Isolation TZ435	Intersticio TZ435

Зип Общепит

vsezip.ru

+7(812)987-08-81

Nr.	Codice Code Código	Descrizione	Description	Beschreibung	Description	Descr
29	92810030	Involucro TZ420/1M	Enclosure TZ420/1M	Hülle TZ420/1M	Enveloppe TZ420/1M	Cubierta TZ420/1M
29	92810031	Involucro TZ425/1M	Enclosure TZ425/1M	Hülle TZ425/1M	Enveloppe TZ425/1M	Cubierta TZ425/1M
29	92810032	Involucro TZ430/1M	Enclosure TZ430/1M	Hülle TZ430/1M	Enveloppe TZ430/1M	Cubierta TZ430/1M
29	92810033	Involucro TZ435/1M	Enclosure TZ435/1M	Hülle TZ435/1M	Enveloppe TZ435/1M	Cubierta TZ435/1M
29	92810041	Involucro TZ425/2M	Enclosure TZ425/2M	Hülle TZ425/2M	Enveloppe TZ425/2M	Cubierta TZ425/2M
29	92810042	Involucro TZ430/2M	Enclosure TZ430/2M	Hülle TZ430/2M	Enveloppe TZ430/2M	Cubierta TZ430/2M
29	92810043	Involucro TZ435/2M	Enclosure TZ435/2M	Hülle TZ435/2M	Enveloppe TZ435/2M	Cubierta TZ435/2M
30	92810090	Pannello laterale sx TZ420/1M	Left side panel TZ420/1M	Seitliches Paneel links TZ420/1M	Panneau latéral gauche TZ420/1M	Panel lateral izdo.
30	92810091	Pannello laterale sx TZ425/1M	Left side panel TZ425/1M	Seitliches Paneel links TZ425/1M	Panneau latéral gauche TZ425/1M	Panel lateral izdo.
30	92810092	Pannello laterale sx TZ430/1M	Left side panel TZ430/1M	Seitliches Paneel links TZ430/1M	Panneau latéral gauche TZ430/1M	Panel lateral izdo.
30	92810093	Pannello laterale sx TZ435/1M	Left side panel TZ435/1M	Seitliches Paneel links TZ435/1M	Panneau latéral gauche TZ435/1M	Panel lateral izdo.
30	92810101	Pannello laterale sx TZ425/2M	Left side panel TZ425/2M	Seitliches Paneel links TZ425/2M	Panneau latéral gauche TZ425/2M	Panel lateral izdo.
30	92810102	Pannello laterale sx TZ430/2M	Left side panel TZ430/2M	Seitliches Paneel links TZ430/2M	Panneau latéral gauche TZ430/2M	Panel lateral izdo.
30	92810103	Pannello laterale sx TZ435/2M	Left side panel TZ435/2M	Seitliches Paneel links TZ435/2M	Panneau latéral gauche TZ435/2M	Panel lateral izdo.

Зип Ощепит

vsezip.ru

+7(812)987-08-81

Nr.	Codice Code Código	Descrizione	Description	Beschreibung	Description	Descr
31	92810110	Pannello laterale dx TZ420/1M	Right side panel TZ420/1M	Seitliches Paneel rechts TZ420/1M	Panneau latéral droit TZ420/1M	Panel lateral dcho
31	92810111	Pannello laterale dx TZ425/1M	Right side panel TZ425/1M	Seitliches Paneel rechts TZ425/1M	Panneau latéral droit TZ425/1M	Panel lateral dcho
31	92810112	Pannello laterale dx TZ430/1M	Right side panel TZ430/1M	Seitliches Paneel rechts TZ430/1M	Panneau latéral droit TZ430/1M	Panel lateral dcho
31	92810113	Pannello laterale dx TZ435/1M	Right side panel TZ435/1M	Seitliches Paneel rechts TZ435/1M	Panneau latéral droit TZ435/1M	Panel lateral dcho
31	92810121	Pannello laterale dx TZ425/2M	Right side panel TZ425/2M	Seitliches Paneel rechts TZ425/2M	Panneau latéral droit TZ425/2M	Panel lateral dcho
31	92810122	Pannello laterale dx TZ430/2M	Right side panel TZ430/2M	Seitliches Paneel rechts TZ430/2M	Panneau latéral droit TZ430/2M	Panel lateral dcho
31	92810123	Pannello laterale dx TZ435/2M	Right side panel TZ435/2M	Seitliches Paneel rechts TZ435/2M	Panneau latéral droit TZ435/2M	Panel lateral dcho
32	91611600	Frontale poliestere TZ/1M	Polyester front TZ/1M	Frontpaneel aus Polyester TZ/1M	Façade polyester TZ/1M	Frontal de poliéster
32	91611610	Frontale poliestere TZ/2M	Polyester front TZ/2M	Frontpaneel aus Polyester TZ/2M	Façade polyester TZ/2M	Frontal de poliéster
33	92810150	Ghiera camino	Flue ring nut	Schraubring Dampfablass	Bague sortie de fumée	Anillo chimenea
34	92810130	Maniglia inox TZ-RF	Stainless steel TZ-RF handle	Edelstahlgriff TZ-RF	Poignée inox TZ-RF	Asa inox TZ-RF