



**Electronic flaker**

**SPR 80**

**SPR 120**

**SPR 165**

**R 134A-R 404A "J" SERIES**

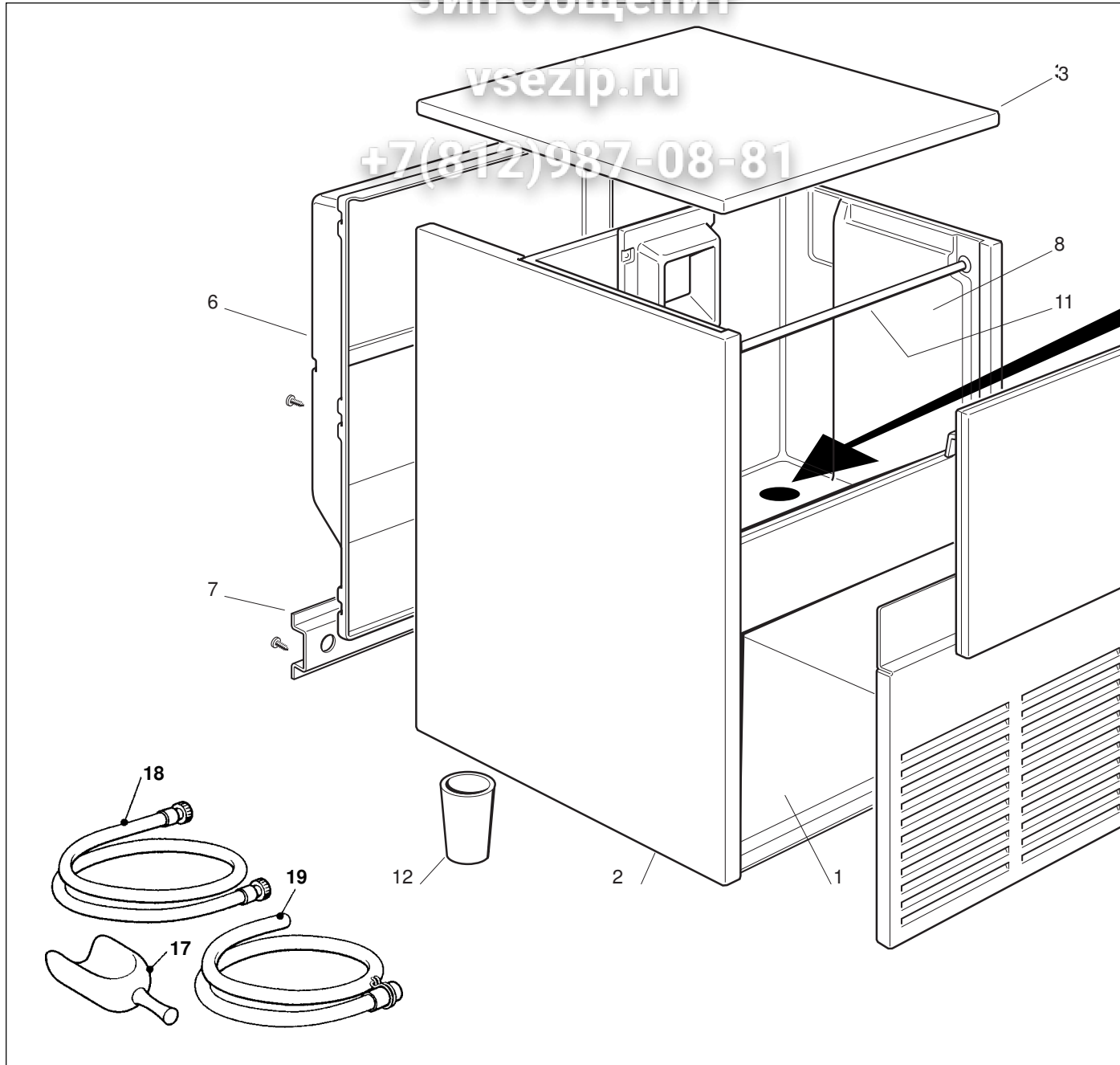
**SPARE PARTS LIST  
CATALOGO RICAMBI  
CATALOGUE PIÈCES DÉTACHÉES  
ERSATZTEILENKATALOG**

PAGE PAGINA PAGE SEITE	TABLE OF CONTENTS	INDICE	TABLE DES MATIÈRES
1	TABLE OF CONTENTS	INDICE	TABLE DES MATIÈRES
2-3	SPR 80 - UNIT PANELS	SPR 80 - ASSIEME MOBILE	SPR 80 - ENS. CARROSSERIE
4-5	SPR 120-165 - UNIT PANELS	SPR 120-165 - ASSIEME MOBILE	SPR 120-165 - ENS. CARROSSERIE
6-7	REFRIGERANT SYSTEM AIR COOLED	SISTEMA REFRIGERANTE RAFFR. AD ARIA	CIRCUIT FRIGORIFIQUE REFROID. A AIR
8-9	REFRIGERANT SYSTEM WATER COOLED	SISTEMA REFRIGERANTE RAFFR. AD ACQUA	CIRCUIT FRIGORIFIQUE REFROID. A EAU
10-11	WATER SYSTEM AND INSULATIONS	CIRCUITO IDRAULICO ED ISOLAMENTI	CIRCUIT HYDRAULIQUE ET INSULATIONS
12-13	FREEZER AND GEAR REDUCER ASSY	ASSIEME FREEZER E RIDUTTORE	ENS. FREEZER ET MOTOREDUCTEUR
14-15	P.C. BOARD AND SENSORS ASSY	SCHEMA ELETTRONICA E SENSORI	ENS. CARTE ELECTRONIQUE ET DETECTEURS
16	COMPRESSOR AND ELECTRIC COMPONENT CHARTS	TABELLA COMPRESSORI E COMPONENTI ELETTRICI	LISTE DES COMPRESSEURS ET COMPOSANTS ELECTRIQUE

Зип-Общепит

vsezip.ru

+7(812)987-08-81



Зип-Общепит

SPR 80 - UNIT PANELS - ASSIEME MOBILE - ENS. CARROSSERIE - MACHINE G

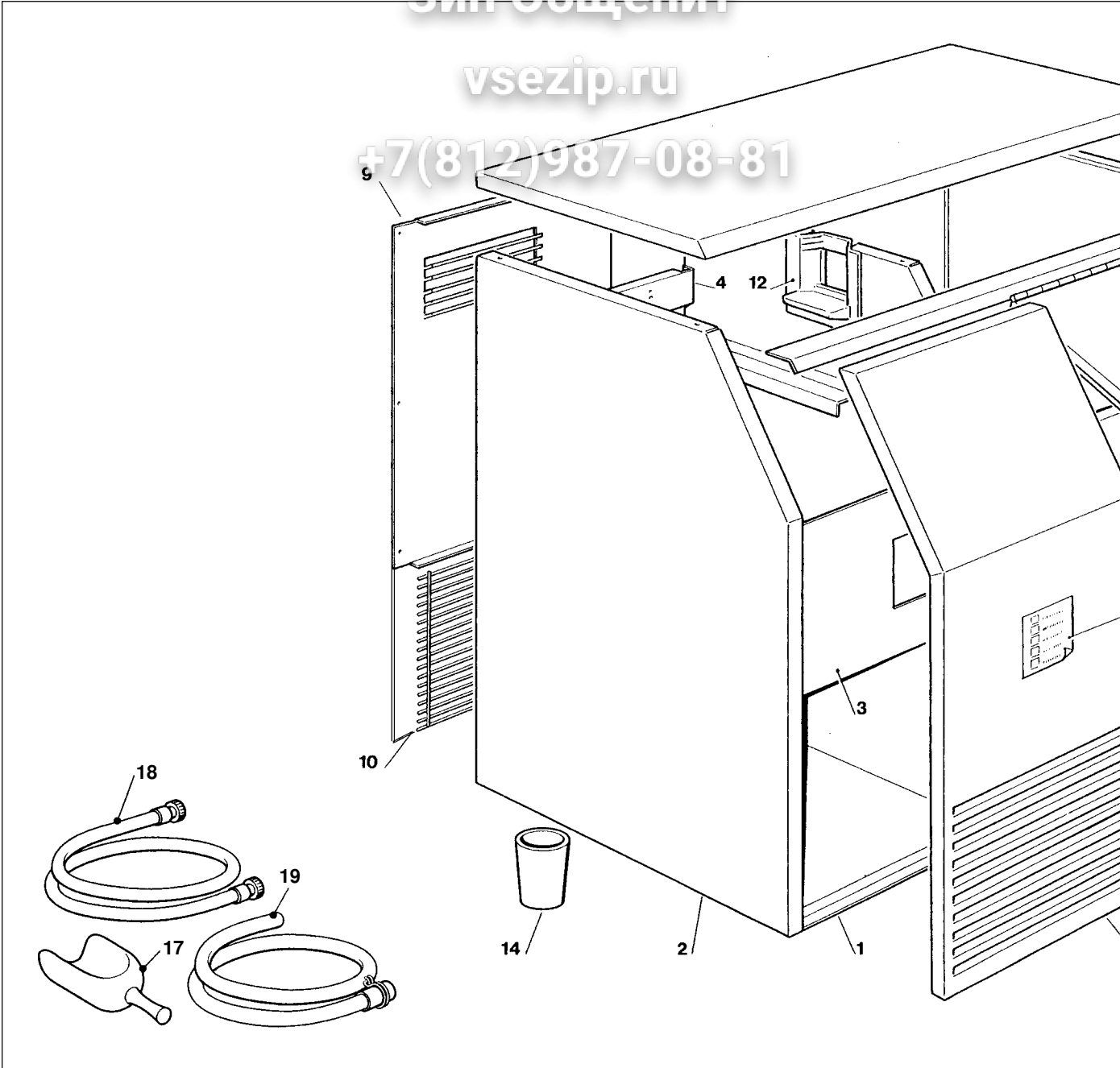
vsezip.ru

ITEM NO POS NO REP. NO REF. NO	PART NO CODICE REFERENCE STUECK NR	DESCRIPTION	DESCRIZIONE	DESIGNATION
1	781406 06	UNIT BASE	ASSIEME FACAMENTO	ENSAMBLE BASEMENT
2	721754 03 721753 03	LEFT SIDE PANEL RIGHT SIDE PANEL	PANNELLO LATERALE SX PANNELLO LATERALE DX	PANNEAU LAT. GAUCHE PANNEAU LAT. DROITE
3	721751 01	TOP PANEL	PANNELLO SUPERIORE	PANNEAU SUPERIEURE
4	782092 03	BIN DOOR ASSY	ASSIEME SPORTELLO	ENSAMBLE PORTE CABINE
5	781424 03	FRONT PANEL	PANNELLO FRONTALE	PANNEAU AVANT
6	660668 00	REAR PANEL	PANNELLO POSTERIORE	PANNEAU ARRIERE
7	702248 00	METAL BRACKET FOR FITTINGS	SUPPORTO ATTACCHI	SUPPORT DE RACCORDS
8	792042 00	STORAGE BIN	CONTENITORE GHIACCIO	CABINE STOCKAGE
11	732016 09	BIN DOOR BRACKET	PERNO SPORTELLO	PIVOT PORTE CABINE
12	660638 00	LEG	PIEDINO	PIED
13	640134 00	O-RING	O-RING	JOINT TORIQUE
14	660211 01	DRAIN FILTER	FILTRO SCARICO CELLA	FILTRE CABINE STOCKAGE
15	660219 01	DRAIN FITTING	SCARICO CELLA	TUYAU EVACUATION
16	610148 04	STORAGE BIN DRAIN TUBE	TUBO SCARICO CONTENITORE	TUYAU VIDANGE CONTENE
17	650071 00	ICE SCOOP	SESSOLA	SASSE
18	060513 00	KIT WATER SUPPLY PIPE	KIT TUBO ALIM. ACQUA	KIT TUYAU D'ALIM. EAU
19	060513 01	KIT WATER DRAIN PIPE	KIT TUBO SCARICO ACQUA	KIT TUYAU VIDANGE EAU

Зип-Общепит

vsezip.ru

+7(812)987-08-81



Зип-Общепит

SPR 120 - SPR 165 - UNIT PANELS - ASSIEME MOBILE - ENS. CARROSSERIE - MA

vsezip.ru

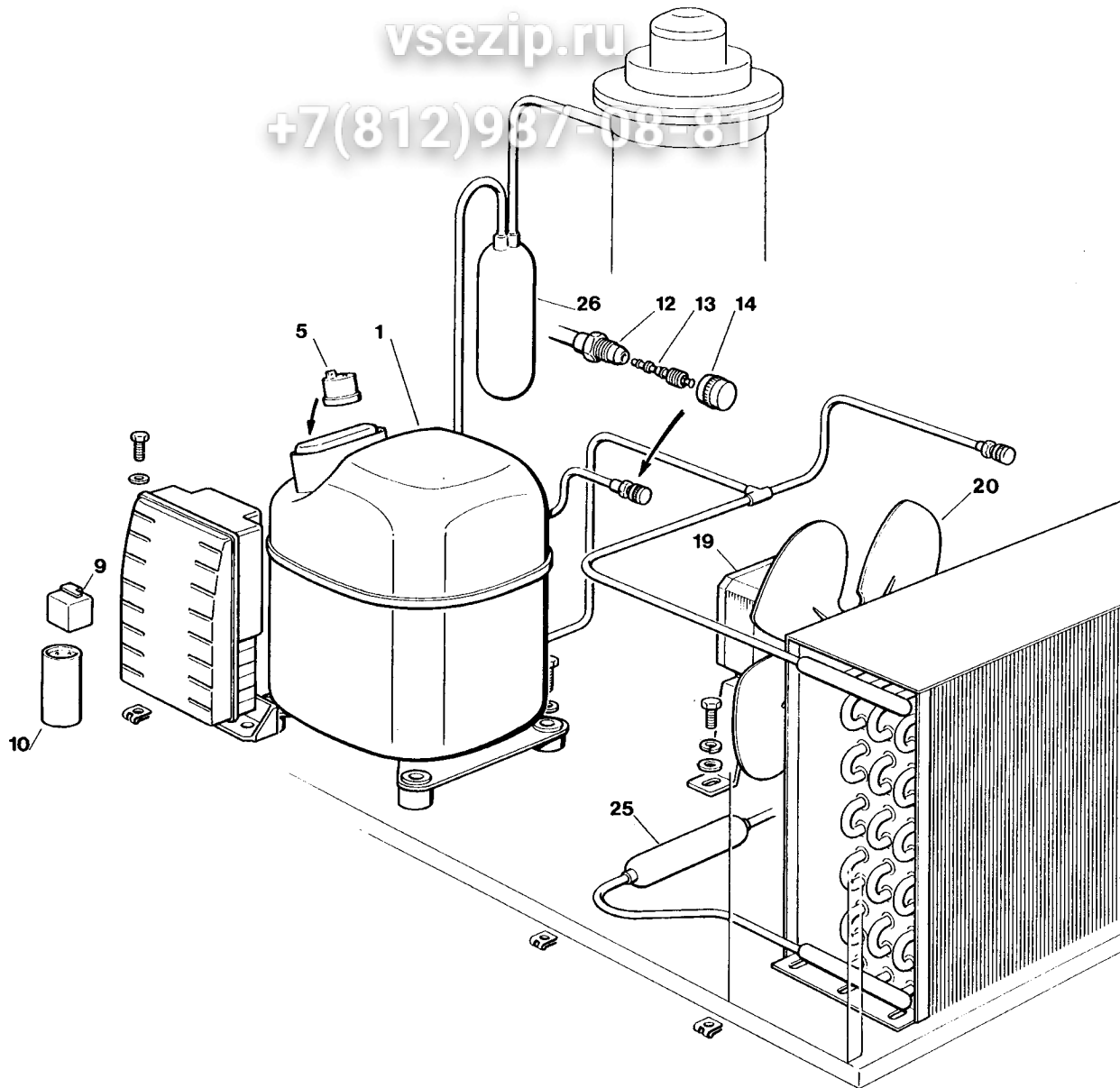
+7(812)987-08-81

ITEM NO POS NO REP. NO REF. NO	PART NO CODICE REFERENCE STUECK NR		DESCRIPTION	DESCRIZIONE	DESIGNATION
	SPR 120	SPR 165			
1	784410 07		UNIT BASE	ASSIEME BASAMENTO	ENSAMBLE BASEMENT
2	721874 00		LEFT SIDE PANEL	PANNELLO LATERALE SX	PANNEAU LAT. GAUCHE
3	702346 00		FRONT METAL BRACKET	TELAIO FRONTALE	SUPPORT CARTE ELECTRO
4	704281 06		WATER RESERVOIR BRACKET	SUPPORTO VASCHETTA	SUPPORT RESERVOIR EAU
5	721877 00		TOP PANEL	PANNELLO SUPERIORE	PANNEAU SUPERIEURE
6	721876 00		LEFT FRONT PANEL	PANNELLO FRONTALE SX	PANNEAU AVANT GAUCHE
7	721875 00		RIGHT FRONT PANEL	PANNELLO FRONTALE DX	PANNEAU AVANT DROITE
8	782085 01		BIN DOOR	ASSIEME SPORTELLO	ENSAMBLE PORTE CABINE
9	702348 00		RIGHT REAR PANEL	PANNELLO POSTERIORE DX	PANNEAU ARRIERE DROITE
10	702349 00		LEFT REAR PANEL	PANNELLO POSTERIORE SX	PANNEAU ARRIERE GAUCH
11	660565 00		STORAGE BIN	CONTENTORE GHIACCIO	CABINE STOCKAGE
12	660297 03		RUBBER SPOUT	BOCCHETTA IN GOMMA	CARTER GOULOTTE SORTI
14	660638 00		LEG	PIEDINO	PIED
15	650624 12		LABEL	ADESIVO SEGNALETICO	ETIQUETTE
16	721873 00		RIGHT SIDE PANEL	PANNELLO LATERALE DX	PANNEAU LAT. DROIT
17	650146 00		ICE SCOOP	SESSOLA	SASSE
18	060513 00		KIT WATER SUPPLY PIPE	KIT TUBO ALIM. ACQUA	KIT TUYAU D'ALIM. EAU
19	060513 01		KIT WATER DRAIN PIPE	KIT TUBO SCARICO ACQUA	KIT TUYAU VIDANGE EAU
*	650805 00		SIMAG LOGO	TARGHETTA SIMAG	EMBLEME SIMAG
*	-	650805 39	SPR 165 LOGO	TARGHETTA SPR 165	EMBLEME SPR 165
*	650805 42	-	SPR 120 LOGO	TARGHETTA SPR 120	EMBLEME SPR 120

Зип-Общепит

vsezip.ru

+7(812)987-08-81



Зип Общепит

vsezip.ru

SPR 80 - SPR 120 - SPR 165 - REFRIGERANT SYSTEM AIR COOLED - SISTEMA REFRIGERANTE  
 CIRCUIT FRIGORIFIQUE REFROID. PAR AIR - LUFTGEKÜHLT GEFRIERSYSTEM

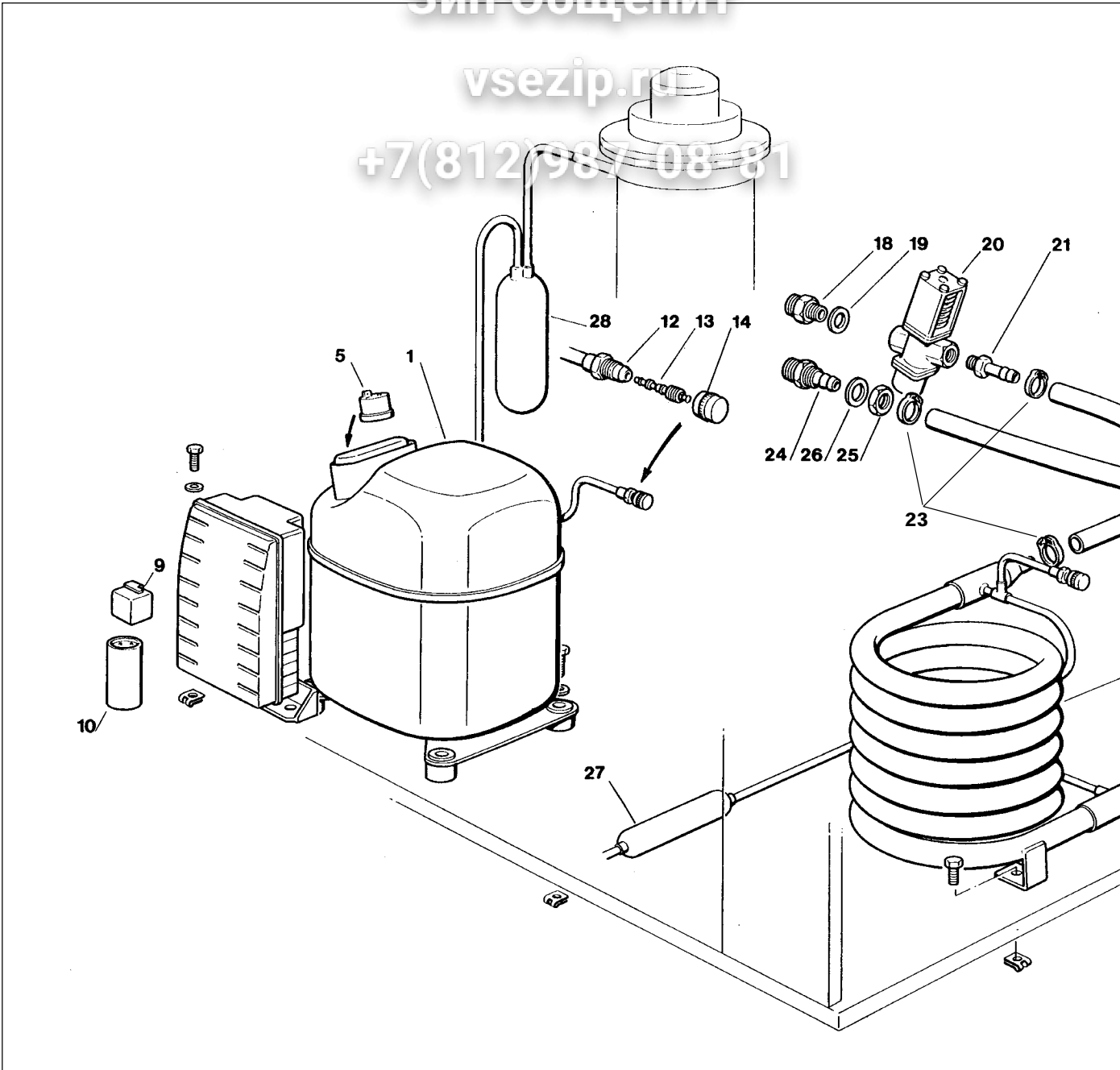
ITEM NO POS NO REP. NO REF. NO	PART NO - CODICE REFERENCE - STUECK NR			DESCRIPTION	DESCRIZIONE	DESIGNATION
	SPR 80	SPR 120	SPR 165			
1	670101 08* 670100 00#	670100 01	670101 03	COMPRESSOR ASSY	ASSIEME COMPRESSORE	ENSAMBLE COMPRESSOR
5	620058 11* 620058 69#	620058 67	620058 51	PROTECTOR	PROTETTORE	PROTECTEUR
9	620057 60* 620057 31#	620057 56	620168 22	START RELAY	RELE DI AVVIAMENTO	RELAIS DE DEMARRAGE
10	620167 29* 620167 29#	620167 29	620167 49	START CAPACITOR	CAPACITA D'AVVIAMENTO	CAPACITÉ DE DEMARRAGE
12	650109 00			VALVE BODY	CORPO VALVOLA	CORPS DE VANNE
13	670012 00			VALVE PISTON	PISTONCINO VALVOLA	PISTON
14	650106 00			VALVE CAP	CAPPUCCIO VALVOLA	CAPUCHON DE VANNE
15	620420 00	620439 00	620405 00	AIR COOLED CONDENSER	CONDENSATORE AD ARIA	CONDENSEUR A AIR
19	620419 02			FAN MOTOR	MOTORE VENTILATORE	MOTEUR VENTILATEUR
20	620419 32	620419 33	620419 33	FAN BLADE	VENTOLA	HELICE
25	630003 05	630003 03	630003 03	DRIER	FILTRO DEUMIDIFICATORE	FILTRE DESHYDRATANT
26	784469 11 R	784469 03	784469 05 R	SUCTION LINE/ACCUMULATOR	ACCUMUL. E LINEA ASPIRAZIONE	ENS. ASPIRATION/ACCUMUL.
				* UP TO SPR 80 S.N. 3494 # FROM SPR 80 S.N. 3495	* FINO A SPR 80 S.N. 3494 # DAL SPR 80 S.N. 3495	* JUSQ'Á SPR 80 S.N. 3494 * A PARTIR DU SPR 80 S.N. 3495



Зип-Общепит

vsezip.ru

+7(812)987-08-81



Зип-Общепит

SPR 80 - SPR 120 - SPR 165 - REFRIGERANT SYSTEM WATER COOLED - SISTEMA REFRIGERANTE A CIRCUI

CIRCUIT FRIGORIFIQUE REFROID PAR EAU - WASSERGEKÜHLT GEFRIERSYSTEM

vsezip.ru

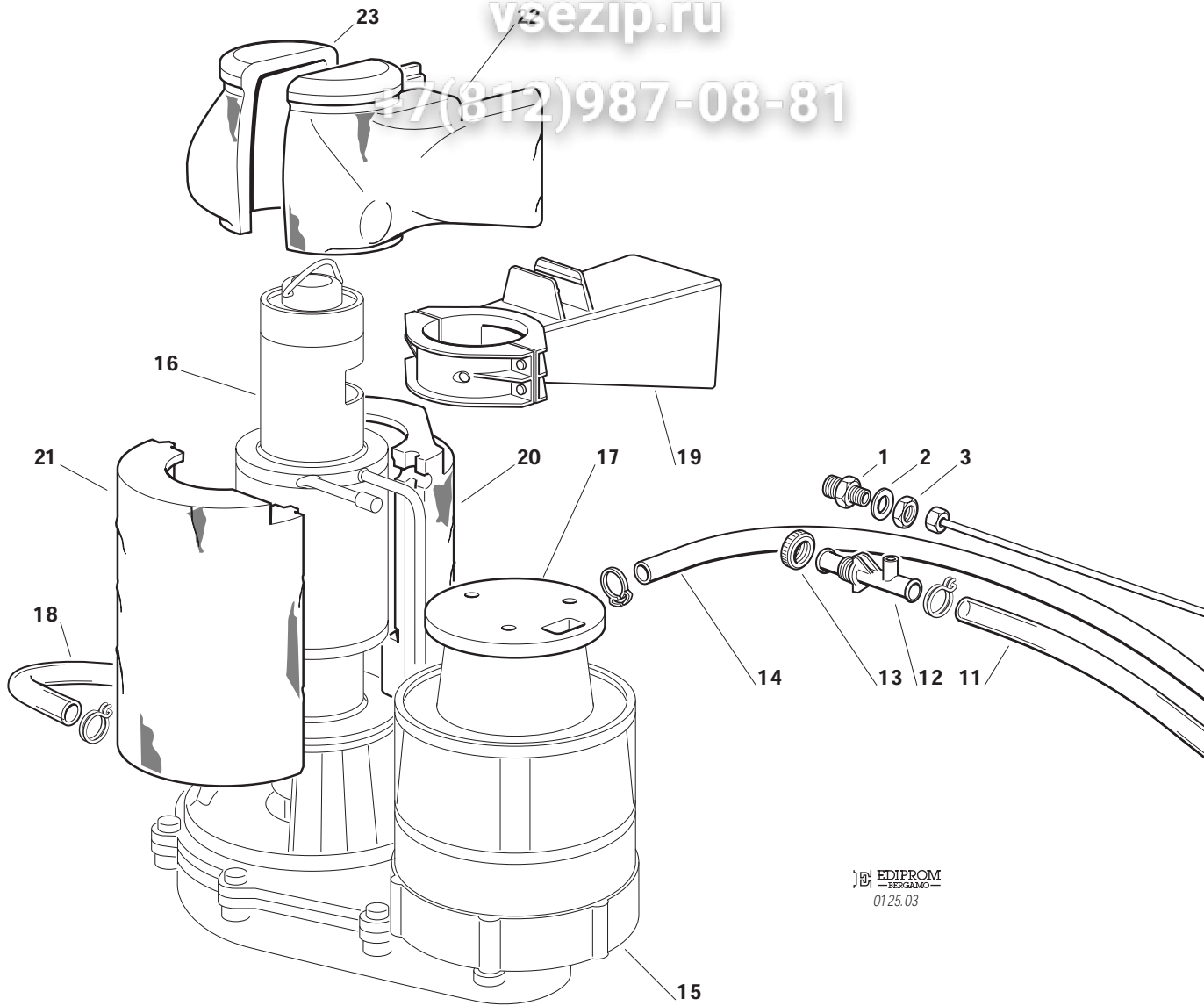
7(812)987-08-81

ITEM NO POS NO REP. NO REF. NO	PART NO - CODICE REFERENCE - STUECK NR			DESCRIPTION	DESCRIZIONE	DESIGNATION
	SPR 80	SPR 120	SPR 165			
1	670101 08* 670100 00#	670100 01	670101 03	COMPRESSOR ASSY	ASSIEME COMPRESSORE	ENSAMBLE COMPRESOR
5	620058 11* 620058 69#	620058 67	620058 51	PROTECTOR	PROTETTORE	PROTECTEUR
9	620057 60* 620057 31#	620057 56	620168 22	START RELAY	RELE DI AVVIAMENTO	RELAIS DE DEMARRAGE
10	620167 29* 620167 29#	620167 29	620167 49	START CAPACITOR	CAPACITA D'AVVIAMENTO	CAPACITÉ DE DEMARRAGE
12		650109 00		VALVE BODY	CORPO VALVOLA	CORPS DE VANNE
13		670012 00		VALVE PISTON	PISTONCINO VALVOLA	PISTON
14		650106 00		VALVE CAP	CAPPUCCIO VALVOLA	CAPUCHON DE VANNE
15		620389 00		WATER COOLED CONDENSER	CONDENSATORE AD ACQUA	CONDENSEUR A EAU
18		733204 00		WATER INLET FITTING	RACCORDO INGRESSO ACQUA	RACCORD ARRIVÉE
19		400031 01		FIBER WASHER	RONDELLA IN FIBRA	RONDELLE EN FIBRE
20		620111 00		WATER REGULATING VALVE	VALVOLA PRESSOSTATICA	VANNE A EAU PRESSOSTATIQUE
21		733094 03		OUTLET VALVE FITTING	RACCORDO USCITA VALVOLA PRESS.	RACCORD SORTIE VALVOLA PRESS.
22		281900 03		PLASTIC TUBE-PER METER	TUBO IN PLASTICA-PER METRO	TUYAU EN PLASTIQUE-PER METRE
23		650499 00		PLASTIC CLAMP	FASCETTA IN PLASTICA	COLLIER EN PLASTIQUE
24		733174 00		WATER DRAIN FITTING	RACCORDO SCARICO ACQUA	RACCORD ÉVACUATION
25		400030 01		NUT	DADO	ECROU
26		400031 00		FIBER WASHER	RONDELLA IN FIBRA	RONDELLE EN FIBRE
27	630003 05	630003 03	630003 03	DRIER	FILTRO DEUMIDIFICATORE	FILTRE DESHYDRATANT
28	784469 11 R	784469 03 R	784469 05 R	SUCTION LINE/ACCUMULATOR	ACCUMUL. E LINEA ASPIRAZIONE	ENS. ASPIRATION/ACCUMUL.
				* UP TO SPR 80 S.N. 3494 # FROM SPR 80 S.N. 3495	* FINO A SPR 80 S.N. 3494 # DAL SPR 80 S.N. 3495	* JUSQ'À SPR 80 S.N. 3494 * A PARTIR DU SPR 80 S.N. 3495

Зип-Общепит

vsezip.ru

77(812)987-08-81



EDIPROM  
— BERKALMO —  
01.25.03

Зип-Общепит

SPR 80 - SPR 120 - SPR 165 - WATER SYSTEM AND INSULATIONS - CIRCUITO IDR

CIRCUIT HYDRAULIQUE ET ISOLATIONS - WASSERKREISLAUF UND ISOLIERU

vsezip.ru

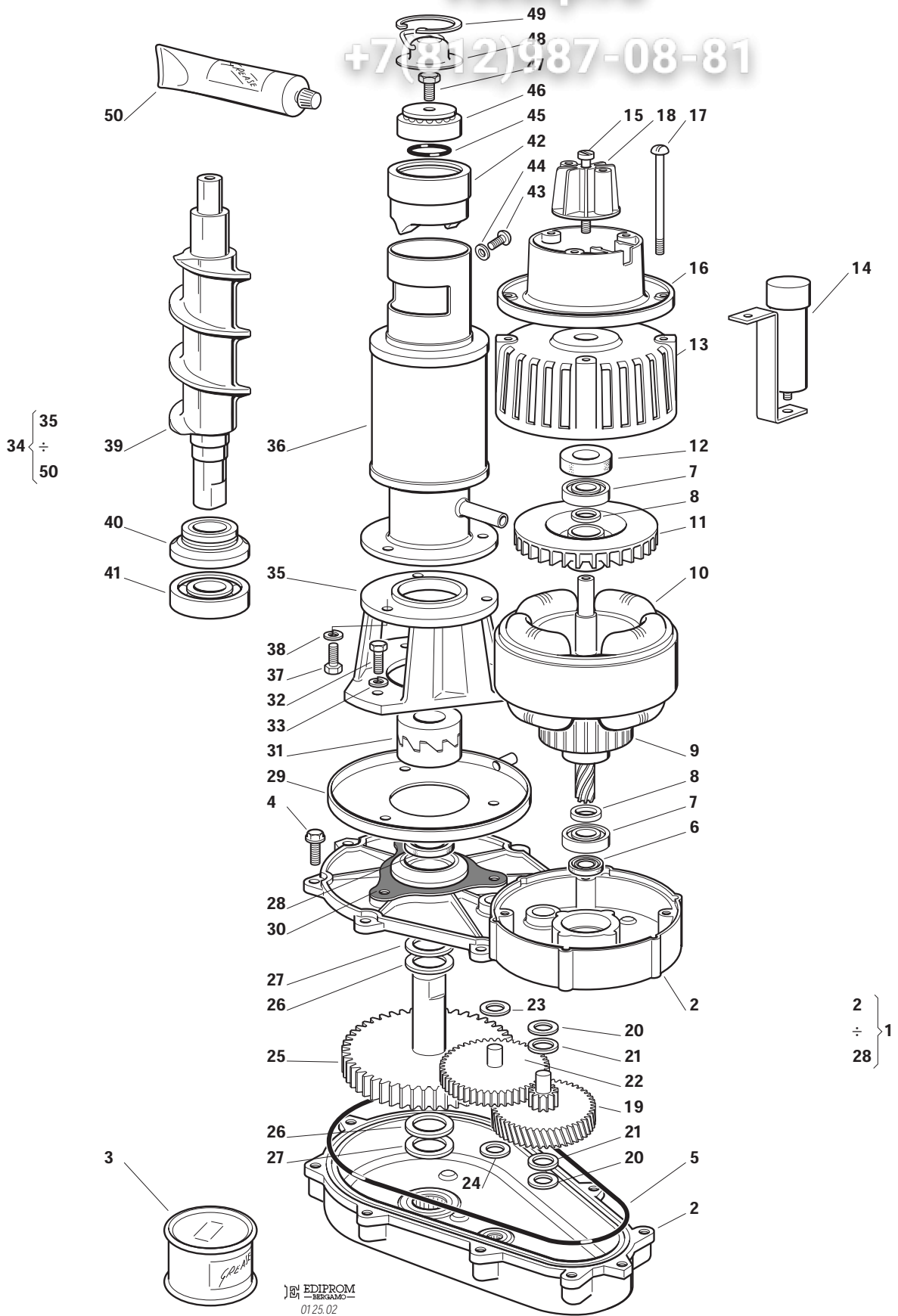
7(812)987-08-81

ITEM NO POS NO REP. NO REF. NO	PART NO - CODICE REFERENCE - STUECK NR			DESCRIPTION	DESCRIZIONE	DESIGNATION
	SPR 80	SPR 120	SPR 165			
1	733205 00			WATER INLET FITTING	RACCORDO INGRESSO ACQUA	RACCORD ARRIV
2	400031 00			FIBER WASHER	RONDELLA IN FIBRA	RONDELLE EN FIB
3	400030 01			NUT	DADO	ECROU
4	793126 01			WATER RESERVOIR ASSY	ASS. VASCHETTA GALLEGGIANTE	ENS. RÉSERVOIR
5	660363 00			WATER RESERVOIR COVER	COPERCHIO VACHETTA	COUVERCLE
6	724215 06			WATER LEVEL METAL PIN	PERNO SENSORE LIVELLO ACQUA	DETECTEUR NIVE
7	660585 00			FLOAT VALVE ASSY	ASS. GALLEGGIANTE	ENS. VANNE A FL
8	783153 00			NOZZLE	UGELLO	GICLEUR
9	460038 02			CLIP RING	ANELLO SEEGER	CIRCLIP
10	640100 00			O RING	GUARNIZIONE OR	JOINT TORIQUE
11	281832 00			PLASTIC TUBE - PER MTR	TUBO IN PLASTICA - PER METRO	TUYAU EN PLASTIQ
12	660224 00			WATER DRAIN FITTING	RACCORDO SCARICO ACQUA	RACCORD EVACU
13	660535 00			PLASTIC RING NUT	GHIERA IN PLASTICA	COLLIER DE SERRAC
14	281222 00			PLASTIC TUBE - PER MTR	TUBO IN PLASTICA - PER METRO	TUYAU EN PLASTIQ
15	794225 13 R			GEAR REDUCER ASSY	ASS. MOTORIDUTTORE	ENS .MOTOREDU
16	794302 01 R	794236 11 R	794237 06 R	FREEZER ASSY	ASS. FREEZER	ENS. FREEZER
17	650515 02			GEAR MOTOR PLASTIC COVER	PROTEZIONE MOTORE	PROTECTION MO
18	610163 02			PLASTIC TUBE	TUBO IN PLASTICA	TUYAU EN PLAST
19	660676 01	060676 00		ICE SPOUT	BOCCHETTA SCARICO GHIACCIO	BEC VERSEUR
20-21	060551 02	060551 03	060551 04	INSULATION	ISOLAMENTO	ISOLATION
22-23	060551 00			SPOUT INSULATION	ISOLAMENTO BOCC.	ISOLATION BEC V

# Зип Общепит

vsezip.ru

+7(812)987-08-81



# Зип Общепит

## SPR 80 - SPR 120 - SPR 165 - FREEZER AND GEAR REDUCER ASSY - ASSIEME FREEZER E RIDUTTORE ENS. FREEZER ET MOTOREDUCTEUR - GEFRIERZYLINDER UND GETRIEBEEINHEIT

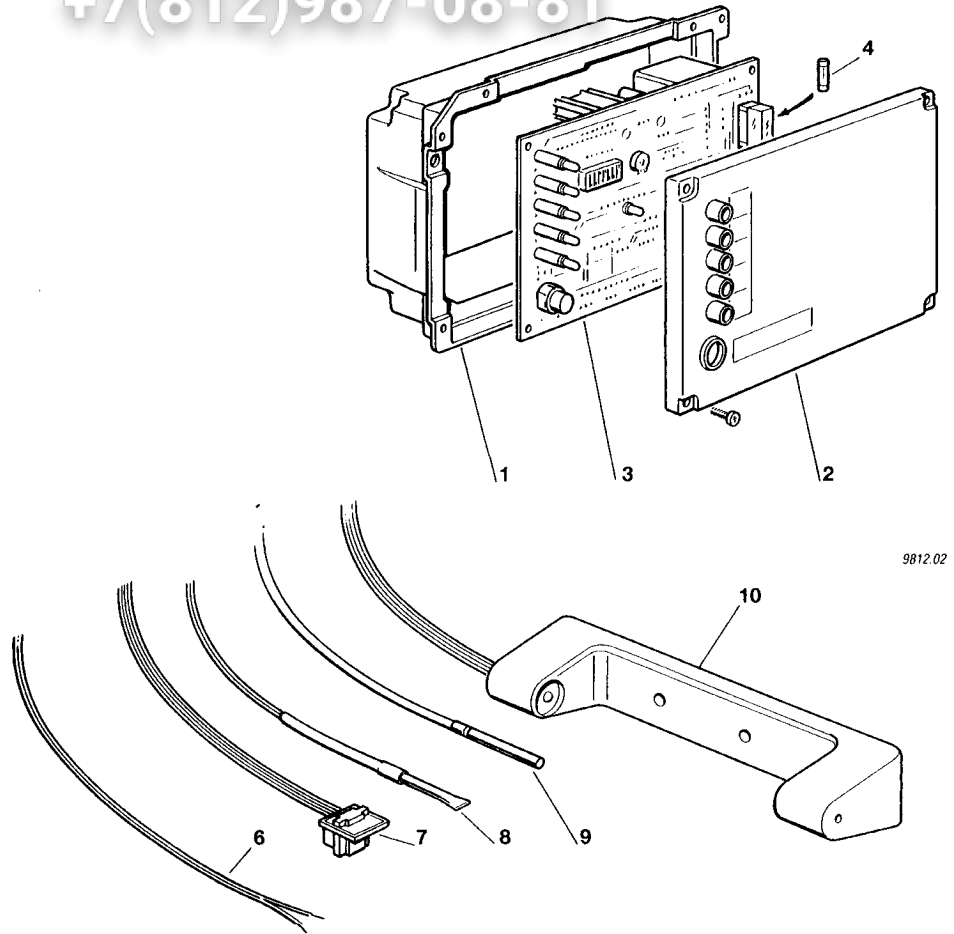
+7(812)987-08-81

ITEM NO POS NO REP. NO REF. NO	PART NO - CODICE REFERENCE - STUECK NR			DESCRIPTION	DESCRIZIONE	DESIGNATION	BESCHREIBUNG
	SPR 80	SPR 120	SPR 165				
1	794225 13 R			GEAR REDUCER ASSY	ASS. RIDUTTORE	ENS. MOTOREDUCTEUR	GETRIEBEMOTOR CPL
2	001015 01			GEAR CASE ASSY	ASS. SCATOLA INGRANAGGI	ENS. CARTER RÉDUCTEUR	GETRIEBEGEHAUSE CPL
3	060294 01			GREASE (1 KG)	GRASSO (1 KG)	GRAISSE (1 KG)	FETT (1 KG)
4	03 1251 01			SCREW	VITE	VIS	SCHRAUBE
5	640084 00			O RING	GUARNIZIONE OR	JOINT TORIQUE	O RING
6	640083 00			GEASE SEAL	PARAOLIO	PARAHUILE	SCHMIERDICHTUNG
7	651056 00			BEARING	CUSCINETTO	ROULEMENT	LAGER
8	441800 09			TRUST WASHER	RONDELLA DI RASAMENTO	RONDELLE.	UNTERLEG SCHEIBE
9	794123 03 R			ROTOR ASSY	ASS. ROTORE	ENS. ROTOR	ROTOR EINHEIT
10	620394 00			STATOR ASSY	ASS. STATORE	ENS. STATOR	STATOREINHEIT
11	764001 00			FAN BLADE	VENTOLA	HELICE	FLÜGEL/RAD
12	640095 00			RUBBER INSERT	INSERTO IN GOMMA	BAGUE CAOUTCHOUC	GUMMI LAGER GEHAUSE
13	794226 01			DRIVE MOTOR COVER	COPERCHIO MOTORE	COUVERCLE MOTEUR	MOTOR DEKEL
14	620292 04			CAPACITOR	CONDENSATORE	CONDENSATEUR	KONDENSATOR
15	03 1403 77			SCREW	VITE	VIS	SCHAUBE
16	650515 01			PLASTIC HOUSING	ALLOGGIAMENTO IN PLASTICA	BÔTE DETECTEUR EFF. HALL	KUNSTSTOFFGEHAUSE
17	423872 01			SCREW	VITE	VIS	SCHRAUBE
18	784476 00			MAGNETO ASSY	ASS. SUPPORTO MAGNETE	ENS. SUPPORT DU MAGNETO	MAGNETHALTER CPL
19	651160 00			1SR GEAR & PINION	INGRANAGGIO IN FIBRA	ENGRANAGE EN CELERON	1 GETRIEBERAND & RITZEL
20	441800 06			TRUST WASHER	RONDELLA DI RASAMENTO	RONDELLE.	UNTERLEG SCHEIBE
21	441800 05			TRUST WASHER	RONDELLA DI RASAMENTO	RONDELLE	UNTERLEG SCHEIBE
22	651161 00			2ND GEAR & PINION	INGRANAGGIO INTERMEDIO	2eme ENGRANAGE ET PIGNON	2 GETRIEBERAND & RITZEL
23	441800 08			TRUST WASHER	RONDELLA DI RASAMENTO	RONDELLE	UNTERLEG SCHEIBE
24	441800 07			TRUST WASHER	RONDELLA DI RASAMENTO	RONDELLE	UNTERLEG SCHEIBE
25	651162 01			OUTPUT GEAR & SHAFT	INGRANAGGIO FINALE	PIGNON-ENGR. D'ENTRAINEMENT	GETRIEBERAD & AUSGANGSTIFT
26	441800 09			TRUST WASHER	RONDELLA DI RASAMENTO	RONDELLE	UNTERLEG SCHEIBE
27	441808 00			TRUST WASHER	RONDELLA DI RASAMENTO	RONDELLE	SCHEIBE
28	640019 01			GREASE SEAL	PARAOLIO	PARAHUILE	SCHMIERDICHTUNG
29	784062 020			DRIP TRAY	RACCOGLIGOCCE	GOUELLE EAU	TROPFFPFANNE
30	640060 00			GASKET	GURNIZIONE	JOINT	DICHTUNG
31	060359 00			COUPLING	GIUNTO	BAGUE D'ACCOUPEMENT CPL	KUPPLUNG
32	421052 00			SCREW	VITE	VIS	SCHAUBE
33	440015 04			WASHER	RONDELLA	RONDELLE	SCHEIBE
34	794302 01 R	794236 11 R	794237 06 R	FREEZER ASSY	ASS. FREEZER	ENS. FREEZER	GEFRIERZYLINDEREINHEIT
35	764010 00			ALUMINIUM ADAPTER	SUPPORTO DI ALLUMINIO	SUPPORT	PASSTUECK
36	784483 00	784260 07	784261 03	WORM TUBE ONLY	TUBO EVAPORATORE	CYLINDRE EVAPORATEUR	GEFRIERZYLINDER
37	421591 00			SCREW	VITE	VIS	SCHRAUBE
38	440015 04			WASHER	RONDELLA	RONDELLE	SCHEIBE
39	724052 08	724052 07	724052 06	AUGER	COCLEA	VIS SANS FIN	SCHNECKE
40	640040 00			WATER SEAL	ASSIEME PREMISTOPPA	GARNITURE D'ETANCHEITE	WASSERDICHTUNGSEINHEIT
41	670011 01			LO BEARING	CUSCINETTO INFERIORE	PALIER INFERIEUR	UNTERESLAGER
42	754001 02			ICE BREAKER ONLY	ROMPIGHACCIO	BROYEUR	EISBRECHER
43	420000 26			SCREW	VITE	VIS	SCHRAUBE
44	440015 05			WASHER	RONDELLA	RONDELLE	SCHEIBE
45	640041 01			O RING	GUARNIZIONE OR	JOINT TORIQUE	O RING
46	670041 00			TOP BEARING	CUSCINETTO SUPERIORE	PALIER SUPERIEUR	OBERESLAGER
47	420030 00			SCREW	VITE	VIS	SCHAUBE
48	734105 00			CAP	CALOTTA	CALOTTE	KUGELHAUBE
49	650297 00			CLIP RING	ANELLO SEEGER	CIRCLIP	RING
50	263612 00			WATER PROOF GREASE	GRASSO IDROREPELL.	GRAISSE	FETT

Зип-Общепит

vsezip.ru

+7(812)987-08-81



9812.02

Зип-Общепит

vsezip.ru

+7(812)987-08-81

SPR 80 - SPR 120 - SPR 165 - P.C. BOARD AND SENSOR ASSY - SCHEDA ELETTRONICA E SENSORI ET DETECTEURS ELEKTRONISCHE KARTE UND TEMPERATURFUEHLERENHILFSMITTEL				
ITEM NO POS NO REP. NO REF. NO	PART NO CODICE REFERENCE STUECK NR	DESCRIPTION	DESCRIZIONE	DESIGNATION
1-2-3	620462 02	P.C. BOARD ASSY	ASSIEME SCHEDA ELETTRONICA	ENSAMBLE CARTE ELECTRONIQUE
4	630015 09 630015 10	FUSE (100 mA) FUSE (16 A)	FUSIBILE (100 mA) FUSIBILE (16 A)	FUSIBLE (100 mA) FUSIBLE (16 A)
6	620404 13	WATER LEVEL SENSOR	SENSORE LIVELLO ACQUA	CAPTEUR NIVEAU EAU
7	620404 03	HALL EFFECT SENSOR	SENSORE EFFETTO HALL	CAPTEUR EFFECT HALL
8	620404 11	CONDENSER TEMP. SENSOR	SENSORE TEMP. CONDENSATORE	CAPTEUR TEMP. CONDENSATEUR
9	620404 10	EVAPORATOR TEMP. SENSOR	SENSORE TEMP. EVAPORATORE	CAPTEUR TEMP. EVAPORATEUR
10	650674 02	ICE LEVEL CONTROL ASSY	ASS. CONTR. LIVELLO GHIACCIO	ENS. DETECTEUR NIVEAU GHIACCIO



## COMPRESSOR CHART - TABELLA COMPRESSORI - TABLEAU COMPRESSEUR - KOMPRESSOR

MODEL MODELLO MODELE MODELL	VOLTS TENSIONE TENSION SPANNUNG	COMPRESSOR MODEL MOD. COMPRESSORE TYPE COMPRESSEUR KOMPRESSOR TYPE	COMPRESSOR COMPRESSORE COMPRESSEUR KOMPRESSOR	RELAY RELE RELAIS RELAIS	PROTECTOR PROTETTORE PROTECTEUR SCHUTZGERAT	STAR CAPA CAPACITE START
SPR 80	115/60/1	U.H.AEZ 4430Y	670101 05	620057 58	620058 93	62
SPR 80	115/60/1	CUBIGEL GL 90 TE	670100 06	620057 66	620058 97	62
SPR 120	115/60/1	-	-	-	-	-
SPR 165	115/60/1	U.H.CAE 9470Z	670101 07	620168 26	620058 89	62
SPR 80	230/60/1	U.H.AEZ 4430Y	670101 01	620057 42	620058 77	62
SPR 80	230/50/1	U.H.AEZ 4430Y*	670101 08	620057 60	620058 11	62
SPR 80	230/50/1	ACC GL 90 TB #	670100 00	620057 31	620058 69	62
SPR 120	230/50/1	U.H. CAE 4448Y*	670101 00	620057 42	620058 71	62
SPR 120	230/50/1	ACC GP 14TB#	670100 01	620057 56	620058 67	62
SPR 165	230/50/1	U.H.CAE 9470Z	670101 03	620168 22	620058 51	62

\* UP TO SPR 80 (3494)-SPR 120 (269) FINO A SPR 80 (3494)-SPR 120 (269) JUSQ'À SPR 80 (3494)-SPR 120 (269)  
# FROM SPR 80 (3495)-SPR 120 (270) FINO A SPR 80 (3495)-SPR 120 (270) A PARTIR DU SPR 80 (3495)-SPR 120 (270)

## ELECTRIC COMPONENTS CHART - TABELLA COMPONENTI ELETTRICI - TABLEAU COMPOSANTS ELECTRIQUES

MODEL MODELLO MODELE MODELL	VOLTS TENSIONE TENSION SPANNUNG	GEAR MOTOR ASSY ASS. MOTORIDUTTORE ENS. MOTOREDUCTEUR GETRIEBEMOTOREINHEIT	FAN MOTOR ONLY MOTORE VENTILATORE MOTEUR VENTILATEUR LUFTER MOTOR	DRIVE MOTOR CAPACITA' CAPACITA' MOTOR CONDENSATEUR MOTOR KONDENSATOR
SPR 80	115/60/1	794225 14 R	620419 03 / 620419 01 (Air / Water)	620292
SPR 120	115/60/1	-	-	-
SPR 165	115/60/1	794225 14 R	620419 03	620292
SPR 80	230/60/1	794225 13 R	-	620292
SPR 120	115/60/1	-	-	-
SPR 165	230/60/1	-	-	-
SPR 80	230/50/1	794225 13 R	620419 02	620292
SPR 120	115/60/1	794225 13 R	620419 02	620292
SPR 165	230/50/1	794225 13 R	620419 02	620292