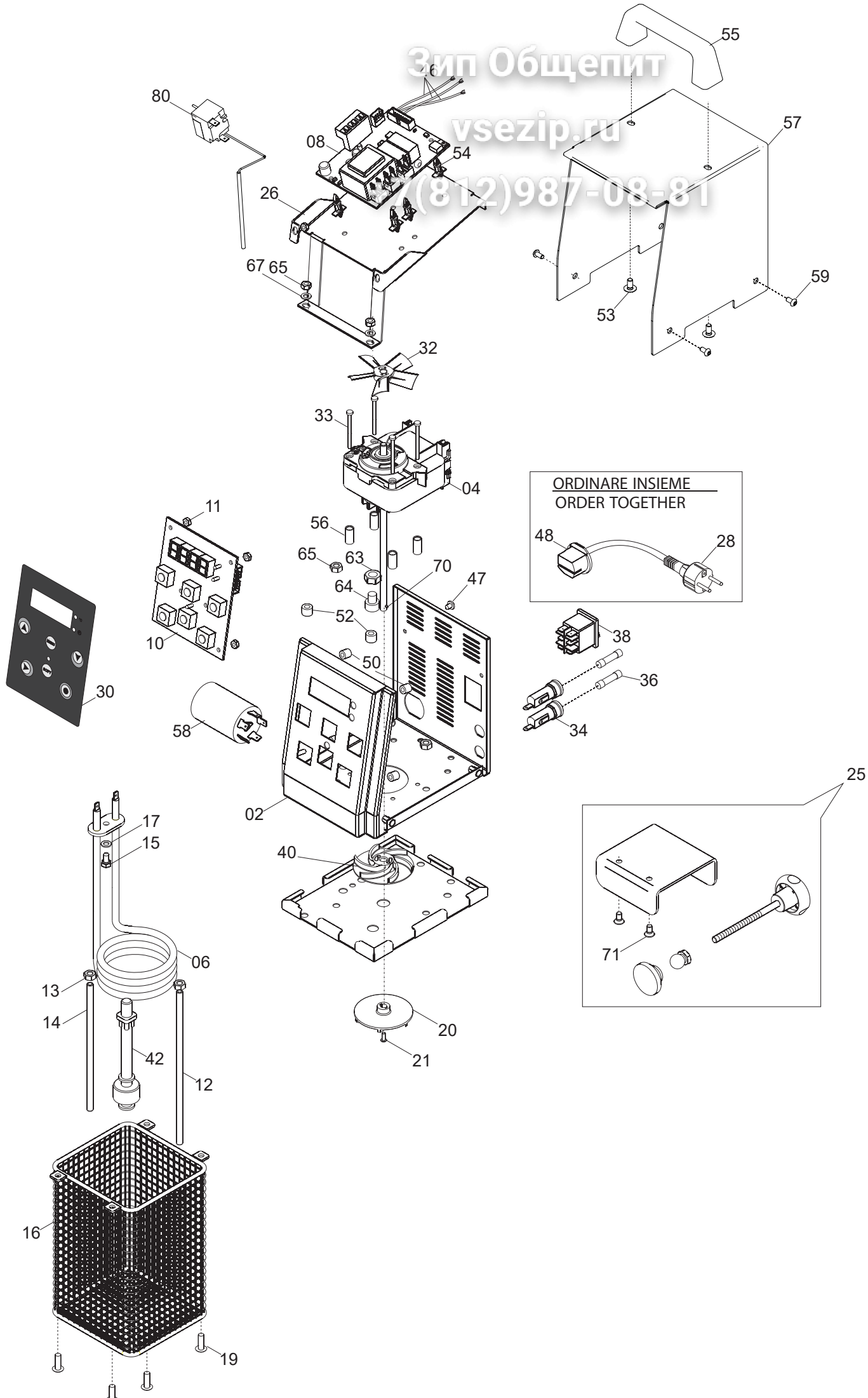


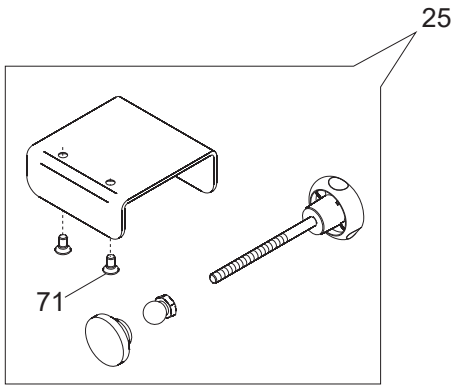
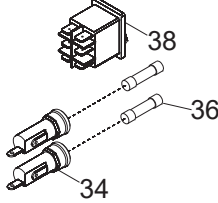
Zip Ощепит

vsezip.ru

(812)987-08-81



ORDINARE INSIEME  
ORDER TOGETHER



Ref.	Product name	Code	Q
	FRAME _ SOFTCOOKE		
2	R Y09 MOTOR	GM2486450	1
	SOFTCOOKE		
4	R Y09 RESIST.	GM5036100	1
	SOFT COOKER 2000W 230V.		
6	ETL SCHEDA	GM5256850	1
	SOFT		
8	COOKER XP CONTROL BOARD + CORD	GM5946420	1
	SOFTCOOKE		
10	R HEX.NUT	GM5946350	1
11	DIN 934 M 4 THERMOST AT PROBE FOR	IX2934004	10
	SOFTCOOKE		
12	R 09 HEX.NUT	GM5826100	1
13	DIN 934 M 6 SAFETY PROBE 10K FOR	IX2934006	10
	SOFTCOOKE		
14	R 09 HEX.SCREW	GM5826150	1
	DIN 933 M5	IX293300501	
15	X 10 METAL WIRES PROTECTIO N, SOFT	0	10
16	COOKER WASHER	GM3047100	1
17	DIN 125 D 5 PAN HEAD SCREW DIN	IX2125005 IX279850050	10
19	7985 M5X10 SPOKED IMPELLER SOFTCOOKE	10	10
20	R 09 HEX.SCREW	GM5036870	1
	DIN 933 M	IX293300300	
21	3X06	6	10

# Зип Общепит

Sheet1

vsezip.ru

+7(812)987-08-81

25	CLAMP _ SOFTCOOKE R	GM2492000	1
28+48	CABLE 3X1,5 SCHUKO- SOFTCOOKE R Y09	GM5506300	1
28+48 CN	CAVO STERILIZZA TORE SPINA CINESE	GM5506815	1
30	MOSTRINA SOFT COOKER SIRMAN	GM8153830	1
32	MOTOR FAN - SOFTCOOKE R Y09	GM5036850	1
33	VITE TCEI DIN 912 M 3X40	IX291200304 0	10
34	FUSE HOLDER 15A 250V_SOFTC OOKER 09	GM5846050	1
36	FUSE 6,3X32 12,5A_ SOFTCOOKE R Y09	GM5846055	1
38	ON/OFF SWITCH COMELUX 401/L	19410102	1
40	LOWER FAN, SOFT COOKER	GM5036875	1
42	WATER LEVEL SENSOR	GM2210200	1
46	ASSIEME CABLAGGIO SOFTCOOKE R XP	GM2492120	1
48	STRAIN RELIEF PA107	GM5893030	1
50	SPACER DCK R 4280 _ SOFTCOOKE R Y09	GM4696255	10

	SPACER DCK R 52100		
	- SOFTCOOKE		
52	R Y09 GM4696275	10	
	SPACER CF06H4080 MM		
	08_SOFTCOO		
54	KER GM4696300	5	
	S/STEEL HANDLE _ SOFTCOOKE		
55	R Y09 GM2486040	1	
	GREY HANDLE _ SOFTCOOKE		
55 GR	R Y09 GM2486060	1	
	BRASS SPACER MM 8X16 _ SOFTCOOKE		
56	R GM4296235	5	
	COVER _ SOFTCOOKE		
57	R Y09 GM2486135	1	
	FILTER DEM "FLC470501F		
58	" GM5947200	1	
	S/S CROSS SCREW M IB77VBCR04		
59	4X10 X10	10	
	BUSH _ SOFTCOOKE		
64	R Y09 GM2486170	1	
	HEX.NUT		
65	DIN 934 M 5 IX2934005	10	
	WASHER		
67	DIN 125 D 5 IX2125005	10	
	SPINA ELASTICA		
	DIN 1481 IX21481001.5		
70	1,5X8 008	10	
	VITE TSPEI		
	DIN 7991 M IX279910050		
71	5X10 10	10	
	TERMOSTAT O		
	SOFTCOOKE		
80	R ETL GM5866125	1	