



Зип Общепит

vsezip.ru

+7(812)987-08-81

WAREWASHING



Dishwashers

**PROFI FX/FXL**

**PREMAX FP**

Glasswashers

**PROFI GX/GX-C**

**PREMAX GP**

Spare Parts Catalogue

EN

DSN: FX-12-01  
Start SN: 86 66 10001

22. FEB. 2013

Зип Общепит

vsezip.ru

+7(812)987-08-81

**Valid for the following models:****PROFI FX/FXL:**

FX-10A	FXSTD-10A	FXLSBäko-10A
FXS-10A	FXSTD-11A	
FXSB-10A	FXL-81A	
FX-90A	FXL-10A	
FX-13A	FXLS-10A	
FX-80A	FXLSB-10A	

**PREMAX FP:**

FP-10A
FPS-10A
FP-90A

**PROFI GX/GX-C:**

GX-10A	GXC-11A
GX-11A	GXCS-11A
GXS-11A	

**PREMAX GP:**

GP-10A
GPS-10A

**Note**

For other voltages or electric components, refer to the wiring diagram shipped with the machine. Observe wiring diagram.

**Legend**

**1** — Recommended spare parts

**Publisher**

HOBART GmbH  
Robert-Bosch-Str. 17  
77656 Offenburg

Telephone +49(0)781.600-0  
Fax +49(0)781.600-23 19

E-Mail: info@hobart.de  
Internet: www.hobart.de

**Product liability**

Installations and repairs which are carried out by non-authorized technicians or the use of other than original spare parts, and any technical alterations to the machine, may affect the warranty set out in the standard conditions of sale.

As continued product improvement is a policy of HOBART, specifications are subject to change without notice.

Detailed information can be obtained from your distributor, or from:

SERVICE Tel. 01803 45 62 58  
Internet: www.hobart.de  
E-Mail: info@hobart.de (innerhalb Deutschland)

© HOBART GmbH, Offenburg 2013

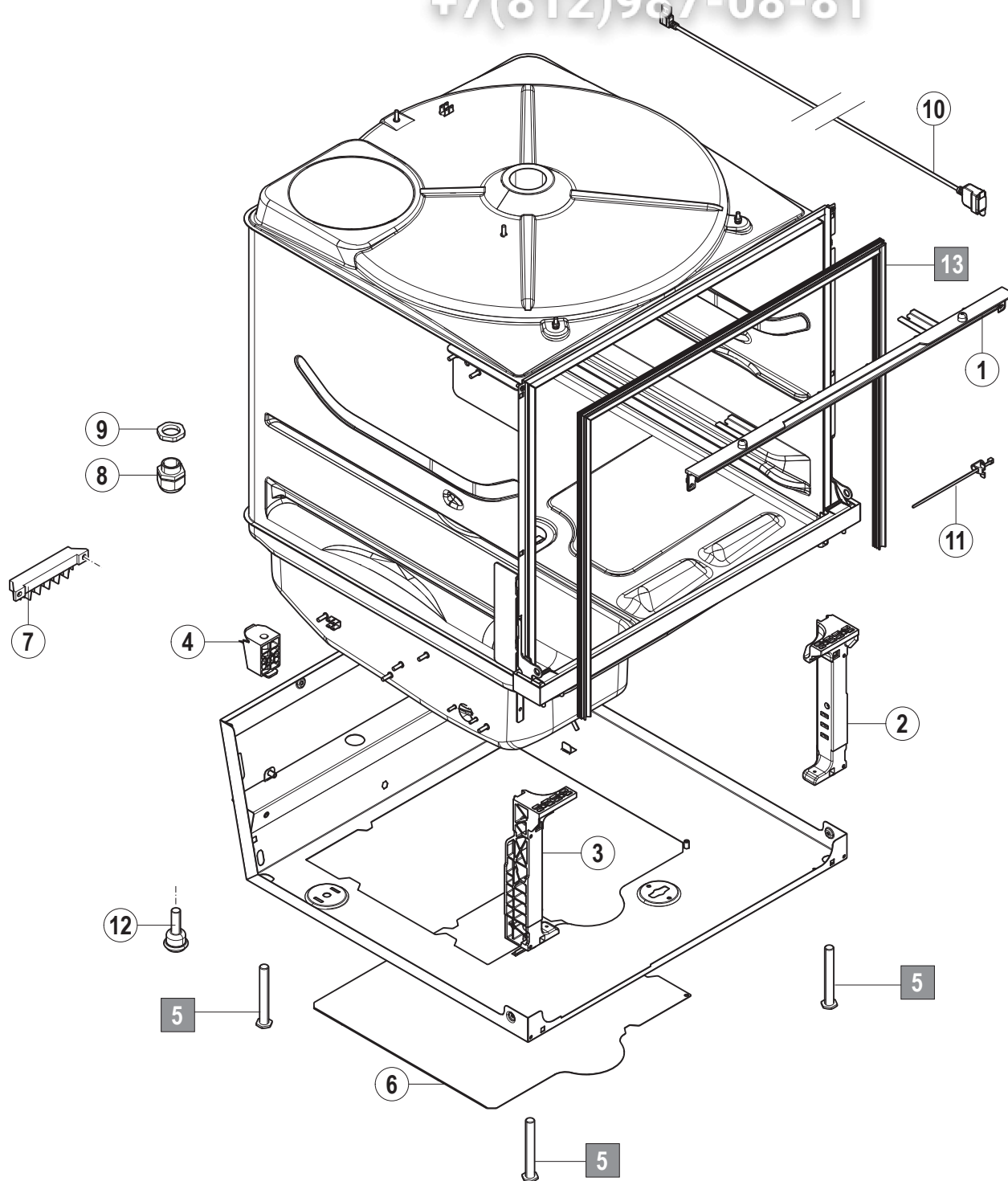
---

Page	Chapter	Contents
4	1.	Housing
6	2.	Panels
8	3.	Fill, Drain, and Booster (Models without Softener)
10	4.	Fill, Drain, and Booster (Models with Softener)
12	5.	Wash and Drain System
14	6.	Wash and Rinse System
16	7.	Tank and Filter System
18	8.	Detergent/Rinse aid
20	9.	Dryer
22	10.	Control

vsezip.ru  
+7(812)987-08-81

1. Housing

+7(812)987-08-81



FX 01

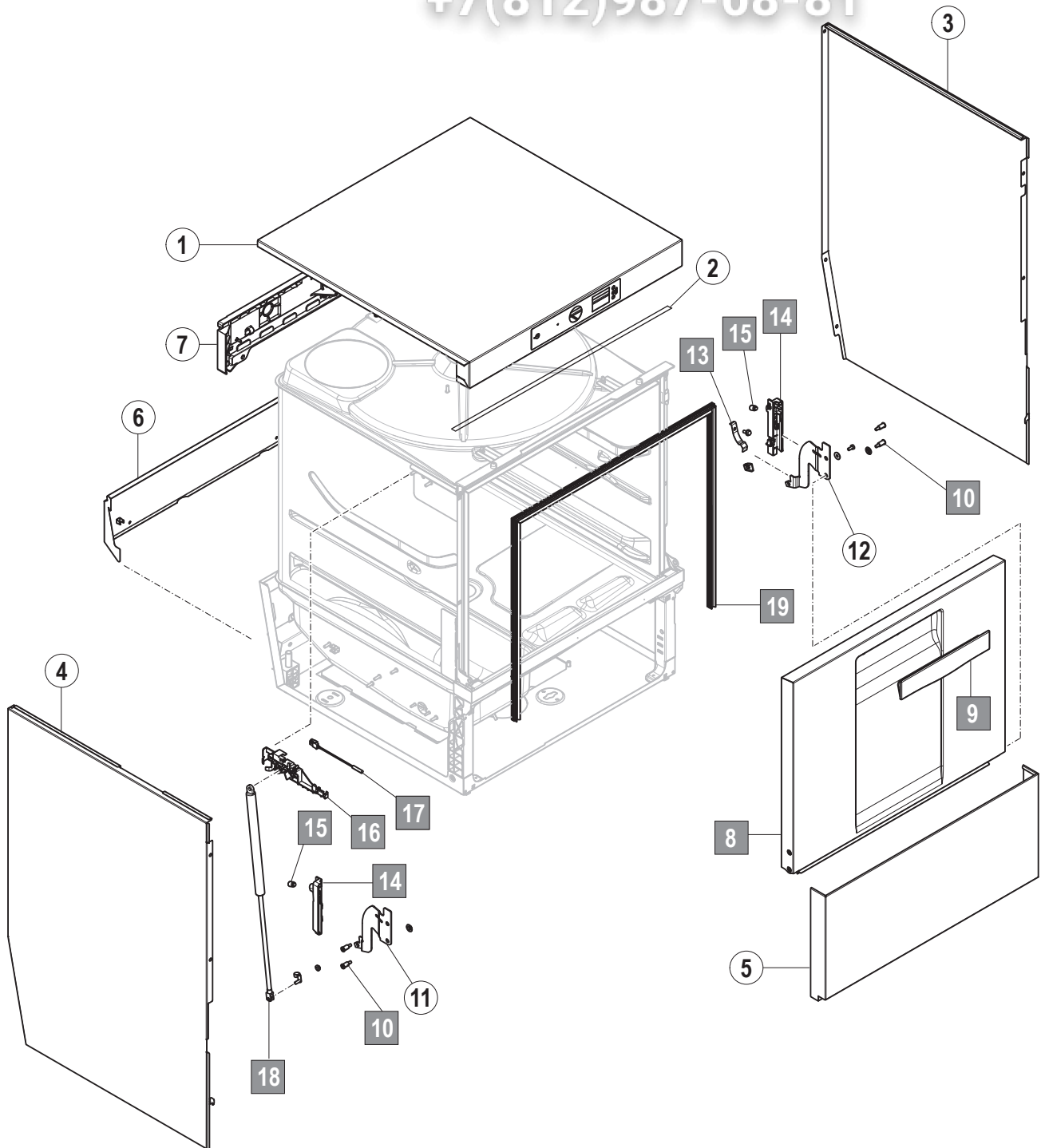
vsezip.ru

+7(812)987-08-81

Pos. no.	Part no.	Part name	Remarks
1	01-515066-001	Connection element tank	PROFI only
2	01-515080-001	Base frame front leg, right	
3	01-515081-001	Base frame front leg, left	
4	01-515216-001	Base frame foot rear	
5	01-515197-001	Adjustable foot	
6	01-515213-011	Base plate	
7	00-774055-001	Connection block	
8	00-695661-004	Cable fitting	
9	00-695664-004	Counter nut	
10	01-515064-001	USB port	
11	00-691923-001	Fixing strap	
12	00-323996-004	Ball roller	Australia only
13	01-240077-001	Door sealing	

2. Panels

+7(812)987-08-81



FX 02

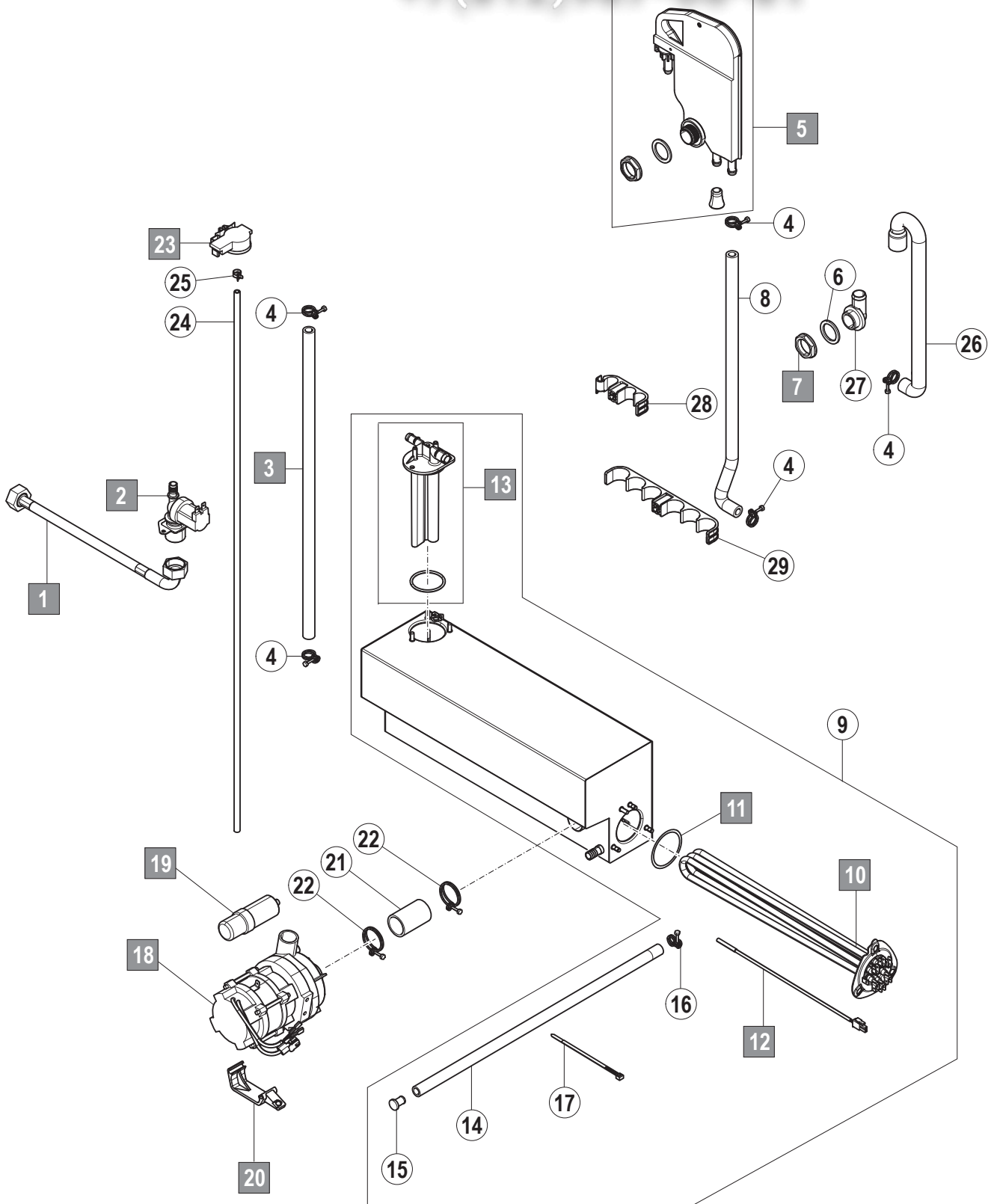
vsezip.ru

+7(812)987-08-81

Pos. no.	Part no.	Part name	Remarks
1	01-515139-001	Covering lid	
2	00-168834-006	Sealing tape	
3	01-515138-001	Side covering, right	All except GX-C
	01-515138-003	Side covering, right	GX-C only
4	01-515138-002	Side covering, left	all except GX-C
	01-515138-004	Side covering, left	GX-C only
5	01-515069-001	Frontal covering	
6	01-515275-001	Back covering	
7	01-515068-001	Bracket covering	
8	01-515012-004	Door	all except GX-C
	01-515012-002	Door	GX-C only
9	01-515031-001	Door handle	
10	01-515326-001	Spare parts kit door bolt	
11	01-515027-001	Hinge bow, left	
12	01-515027-002	Hinge bow, right	
13	01-515327-001	Spare parts kit flat spring	
14	01-515328-001	Spare parts kit guidance rail	
15	01-515329-001	Spare parts kit rubber damper	
16	01-515254-001	Bracket gas spring	
17	01-515276-001	Reed switch	
18	01-515330-001	Spare parts kit gas spring	
19	01-240077-001	Door sealing	

3. Fill, Drain, and Booster

+7(812)987-08-81



FX 03



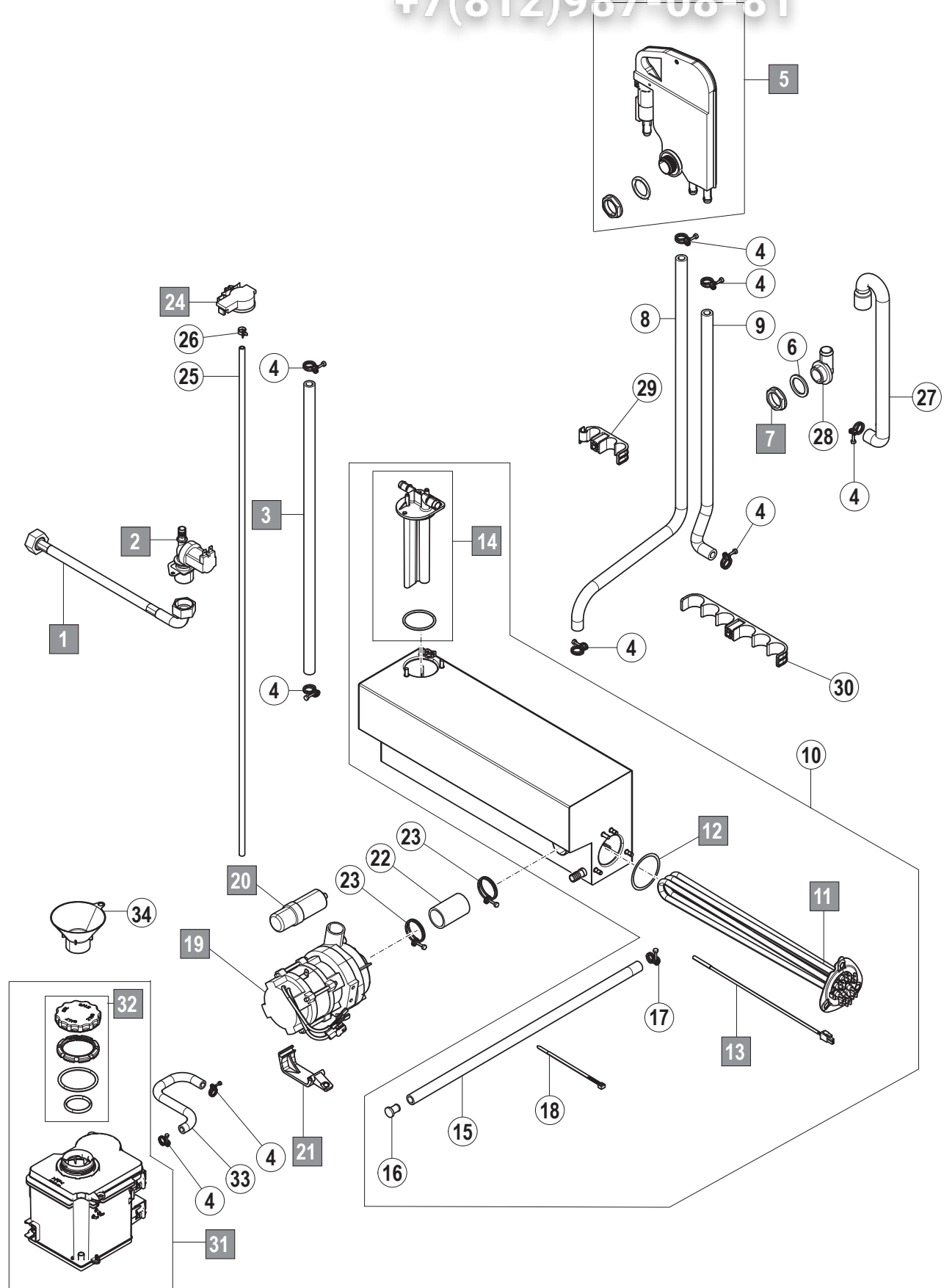
vsezip.ru

+7(812)987-08-81

Pos. no.	Part no.	Part name	Remarks
1	01-240316-001	Water supply hose	
2	00-883658-001	Filling valve	
3	01-246371-004	Hose	
4	00-323945-018	Hose clip	
5	01-515331-001	Spare parts kit waterbreak	
6	00-775305-001	Sealing	
7	00-324384-000	Nut	
8	01-515207-001	Hose	all except GX-C
	01-294072-001	Hose	GX-C only
9	01-515141-001	Hot water tank, compl.	PROFI only
	01-515141-004	Hot water tank, compl.	PREMAX and TD only
10	01-515258-001	Hot water tank heater	
11	01-240135-011	O-ring	
12	00-775612-001	Temperature sensor	
13	01-515332-001	Spare parts kit hot water tank connection chamber	
14	00-774080-001	Hose	
15	00-774512-001	Plug	
16	00-323945-015	Hose clip	
17	00-165128-001	Cable tie	
18	01-515260-001	Rinse pump	
19	00-226568-002	Condensor	
20	01-515154-001	Bracket rinse pump	
21	00-883145-012	Hose	
22	00-323945-037	Hose clip	
23	00-775866-202	Pressure transmitter	
24	01-515293-001	Hose	
25	01-246214-003	Hose clip	
26	01-515210-001	Hose	all except GX-C
	01-515272-001	Hose	GX-C only
27	00-324097-000	Filler piece	
28	01-515198-001	Hose guidance rail	
29	01-515215-001	Hose guidance rail	

### 4. Fill, Drain, and Booster

+7(812)987-08-81



FX 04

vsezip.ru

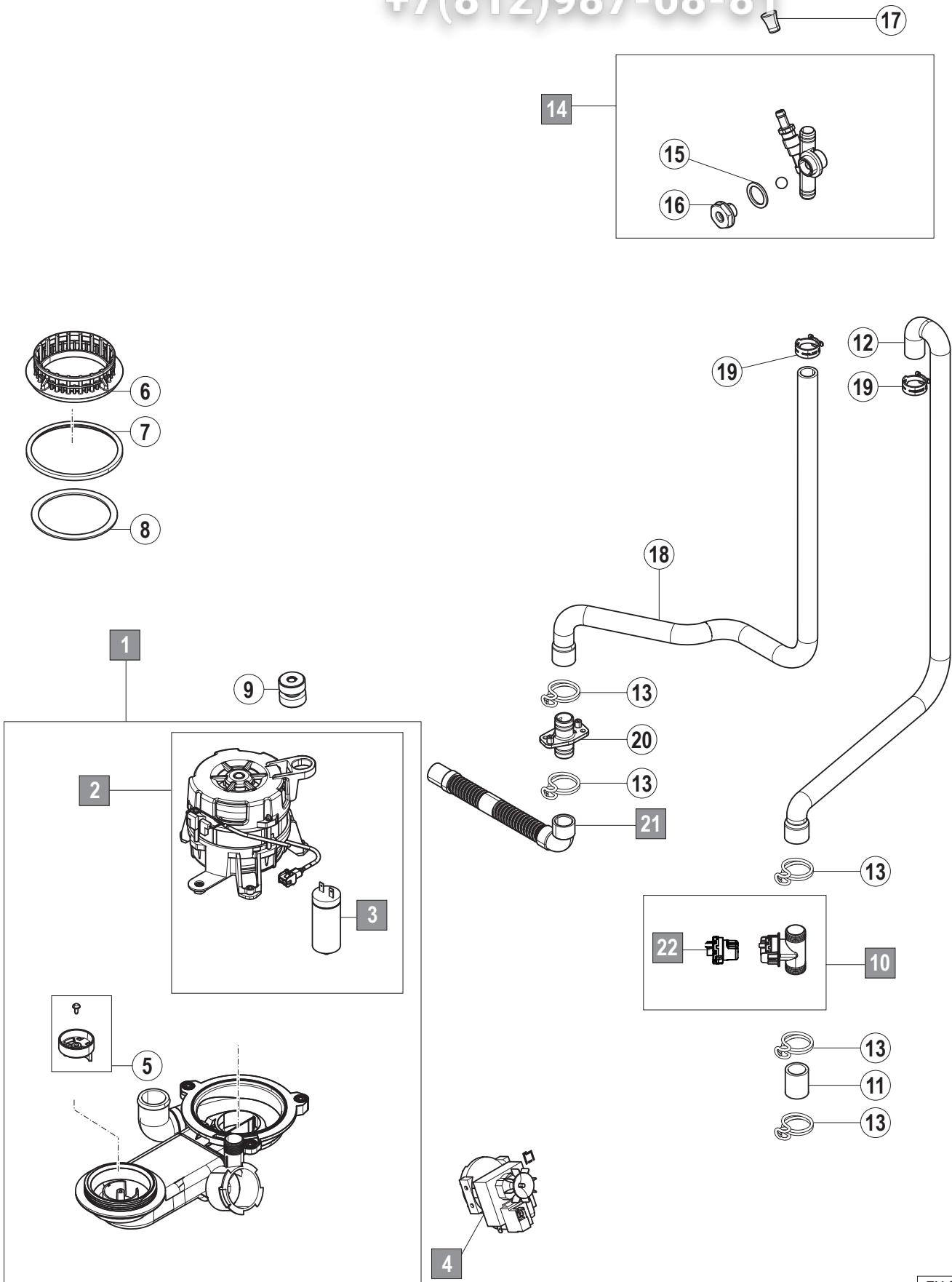
+7(812)987-08-81

Pos. no.	Part no.	Part name	Remarks
1	01-240316-001	Water supply hose	
2	00-883658-001	Filling valve	
3	01-246371-004	Hose	
4	00-323945-018	Hose clip	
5	01-515331-002	Sparepart kit waterbreak	
6	00-775305-001	Sealing	
7	00-324384-000	Nut	
8	00-775611-002	Hose	
9	01-515208-001	Hose	all except GX-C
	01-515250-001	Hose	GX-C only
10	01-515141-001	Hot water tank, compl.	PROFI only
	01-515141-004	Hot water tank, compl.	PREMAX and TD only
11	01-515258-001	Hot water tank heater	
12	01-240135-011	O-ring	
13	00-775612-001	Temperature sensor	
14	01-515332-001	Hot water tank connection chamber	
15	00-774080-001	Hose	
16	00-774512-001	Plug	
17	00-323945-015	Hose clip	
18	00-165128-001	Cable tie	
19	01-515260-001	Rinse pump	
20	00-226568-002	Condensor	
21	01-515154-001	Bracket rinse pump	
22	00-883145-012	Hose	
23	00-323945-037	Hose clip	
24	00-775866-202	Pressure transmitter	
25	01-515293-001	Hose	
26	01-246214-003	Hose clip	
27	01-515210-001	Hose	all except GX-C
	01-515272-001	Hose	GX-C only
28	00-324097-001	Filler piece	
29	01-515198-001	Hose guidance rail	
30	01-515215-001	Hose guidance rail	
31	01-515030-001	Softener	
32	01-515030-050	Spare parts kit softener cover lid	
33	01-515209-001	Hose	
34	01-515277-001	Funnel	

5. Wash and Drain System

vsezip.ru

+7(812)987-08-81



FX 05

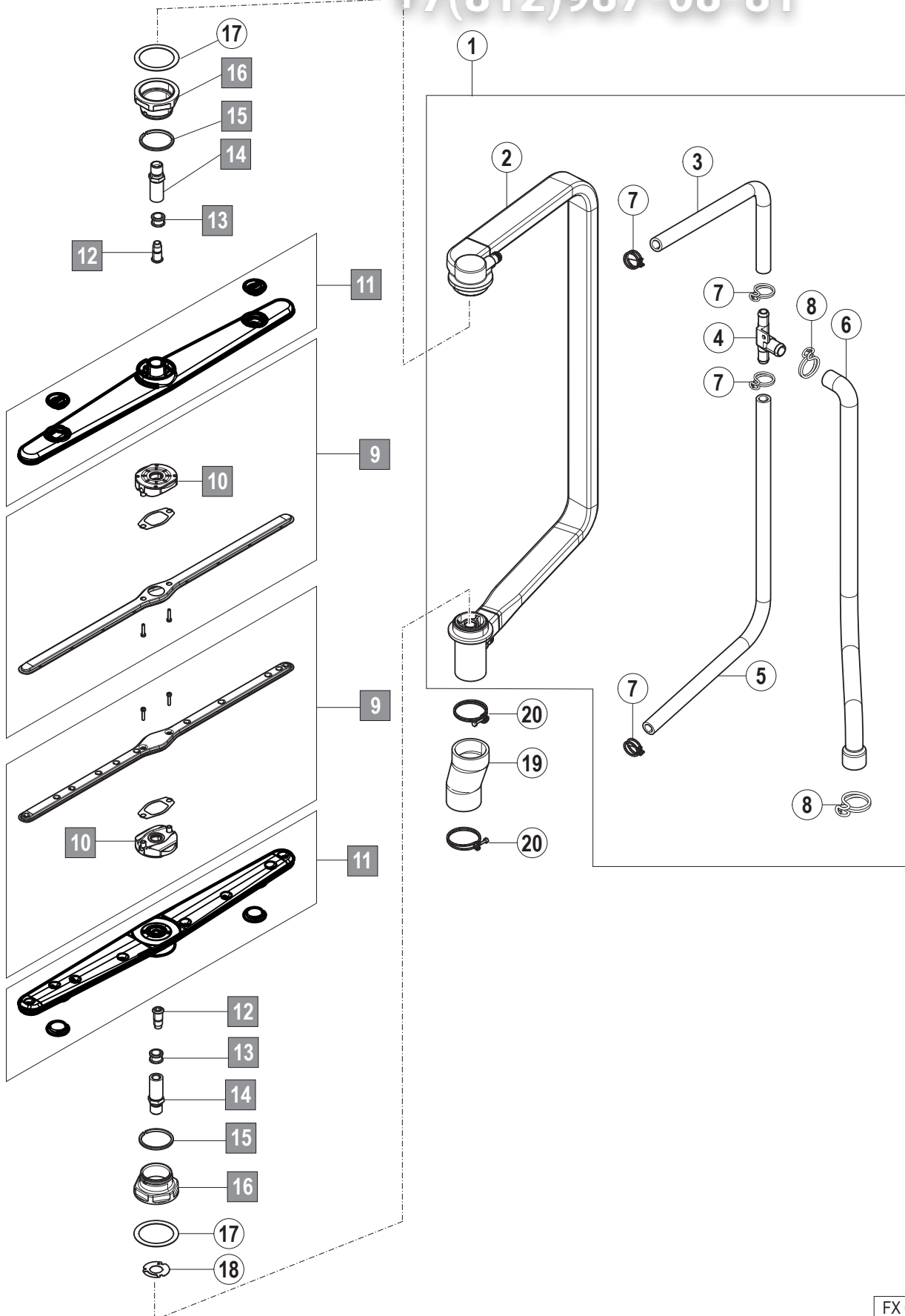
vsezip.ru

+7(812)987-08-81

Pos. no.	Part no.	Part name	Remarks
1	01-515355-001	Wash pump, compl.	
2	01-515183-001	Wash pump	
3	00-226568-014	Condensor	
4	01-240010-001	Drain pump	
5	01-240395-001	Flipper	
6	01-515055-001	Nut, suction	
7	01-240296-001	Supporting ring	
8	01-240178-001	Sealing	
9	01-240186-001	Vibration damper	
10	01-515022-001	Turbidity sensor	
11	01-515211-001	Hose	
12	01-515202-001	Hose	all except GX-C
	01-515245-001	Hose	GX-C only
13	00-324510-327	Hose clip	
14	01-240142-001	Ventilation valve, compl.	
15	00-775305-001	Sealing	
16	01-240144-001	Nut	
17	00-775531-001	Blind plug	
18	01-515203-001	Hose	all except GX-C
	01-515246-001	Hose	GX-C only
19	01-246214-001	Hose clip	
20	01-240159-001	Drain connection	
21	00-883961-002	Drain hose	
22	01-515020-001	Turbidity sensor	

6. Wash and Rinse System

+7(812)987-08-81



FX 06

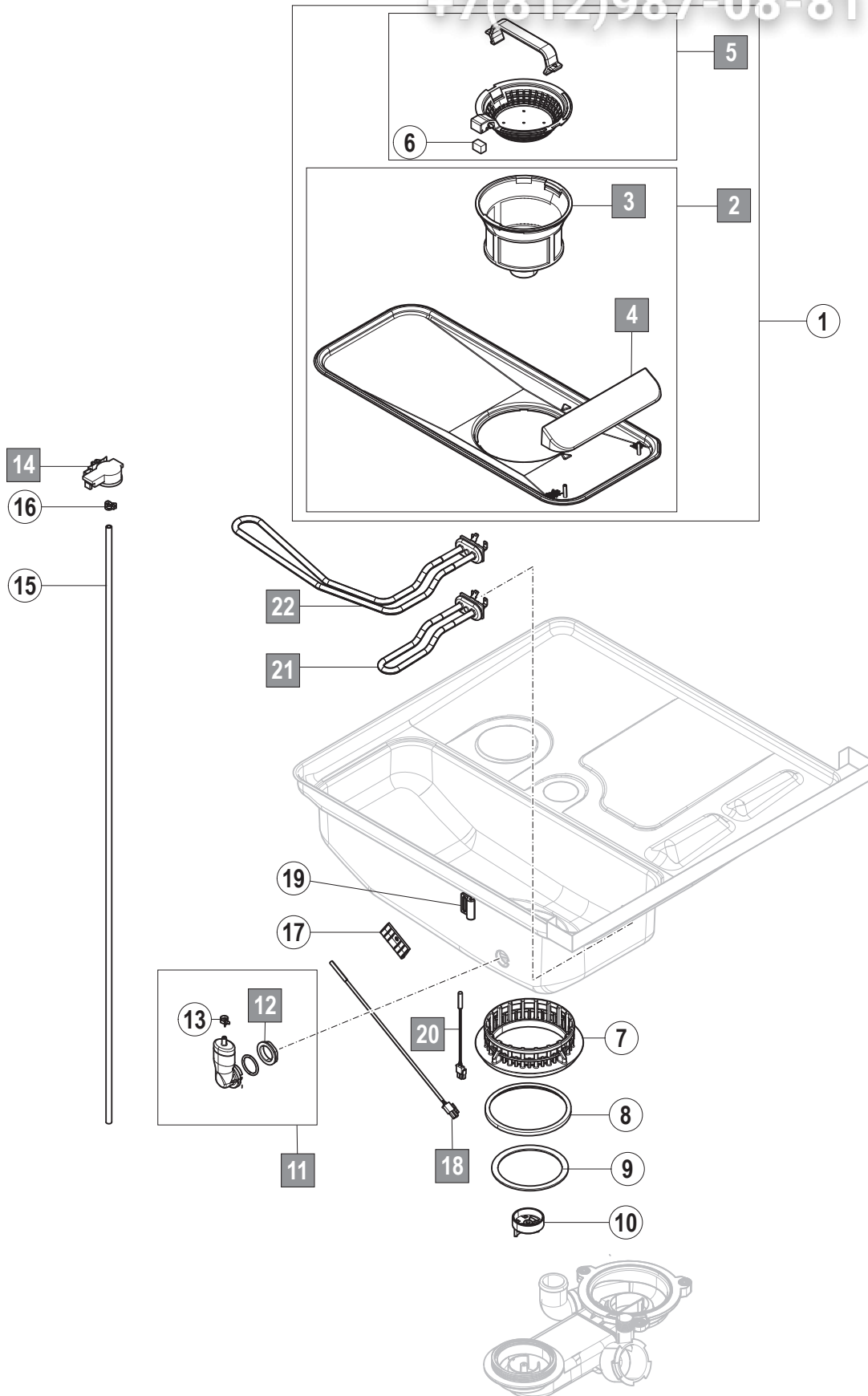
vsezip.ru

+7(812)987-08-81

Pos. no.	Part no.	Part name	Remarks
1	01-515212-001	Riser, compl.	all except GX-C
	01-515212-002	Riser, compl.	GX-C only
2	01-515160-001	Riser	all except GX-C
	01-515285-001	Riser	GX-C only
3	01-515205-001	Hose	
4	00-324071-000	T-piece	
5	01-515206-001	Hose	all except GX-C
	01-515248-001	Hose	GX-C only
6	01-515204-001	Hose	all except GX-C
	01-515247-001	Hose	GX-C only
7	00-324510-202	Hose clip	
8	01-324510-327	Hose clip	
9	01-515155-001	Rinse arm, compl.	
10	01-515333-001	Spare parts kit clip-in	
11	01-515111-001	Wash arm, compl.	
12	01-515172-002	Screw rinse system	
13	01-515088-001	Slide bearings	
14	01-515171-001	Axle	
15	00-775933-003	Slide ring	
16	01-515112-001	Separating nut	
17	00-172986-019	Sealing	
18	01-240016-001	Orifice plate	
19	01-240164-001	Hose	
20	00-323945-049	Hose clip	

7. Tank and Filter System

+7(812)987-08-81





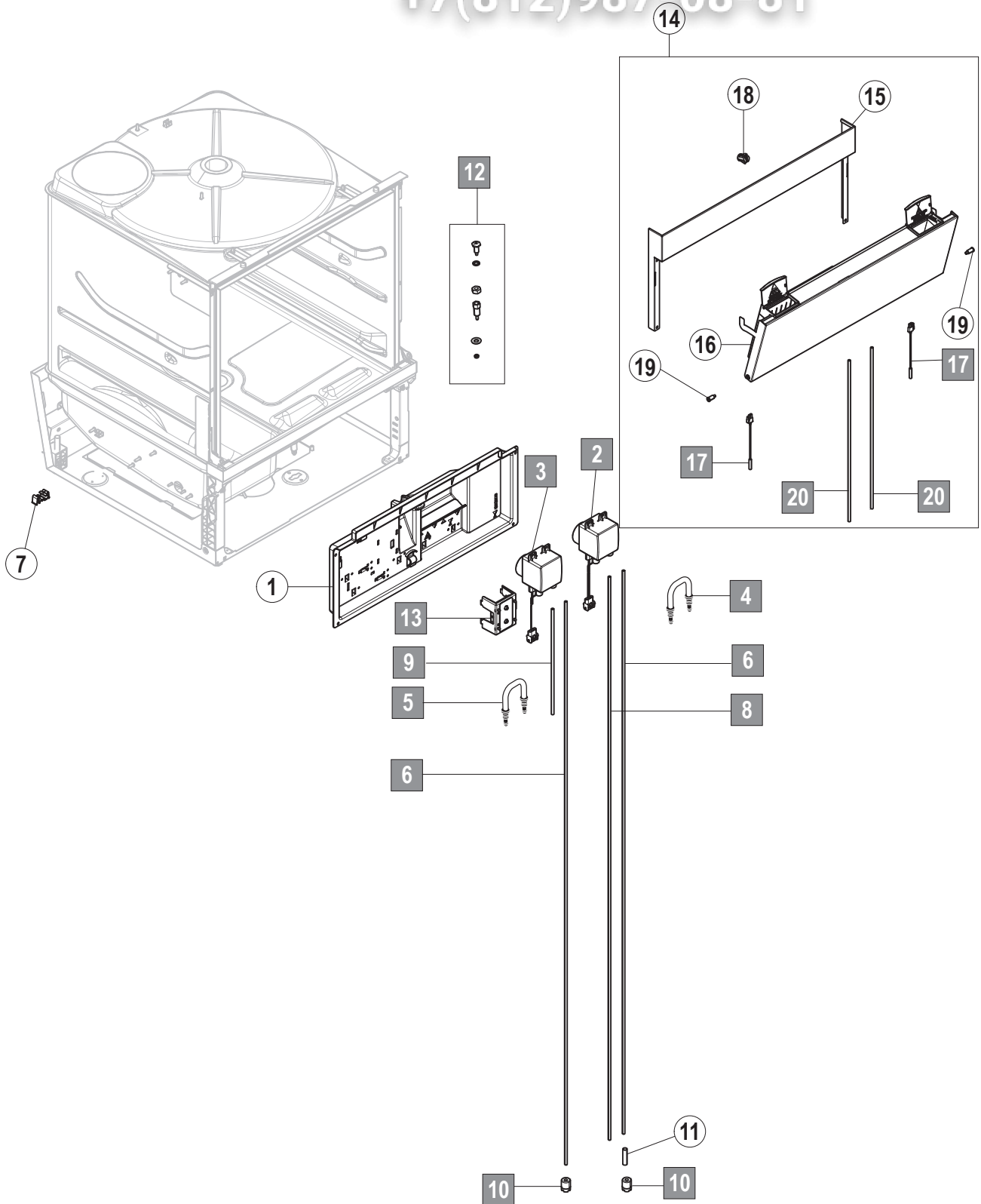
vsezip.ru

+7(812)987-08-81

Pos. no.	Part no.	Part name	Remarks
1	01-515016-001	PROFI strainer system	PROFI only
	01-515016-002	PREMAX strainer system	PREMAX only
2	01-515130-001	PROFI strainer, compl.	PROFI only
	01-515130-002	PREMAX strainer, compl.	PREMAX only
3	01-515129-001	Fine strainer	
4	01-240085-001	Deflector	PREMAX only
5	01-515133-001	Strainer basket, compl.	
6	01-515145-001	Magnet	
7	01-515055-001	Nut, suction	
8	01-240296-001	Supporting ring	
9	01-240178-001	Sealing	
10	01-240395-001	Flipper	
11	01-515334-001	Air chamber, replacement kit	
12	00-324384-000	Nut	
13	01-246214-003	Hose clip	
14	00-775866-002	Pressure transmitter	
15	01-515293-002	Hose	
16	01-246214-003	Hose clip	
17	01-297719-001	Bracket temperature sensor	
18	00-775612-001	Temperature sensor	
19	01-515259-001	Bracket gas reed switch	
20	01-515276-001	Reed switch	
21	01-240247-001	Radiator	all except GX-10A + GP(S)
22	01-515161-001	Radiator	GX-10A + GP(S) only

8. Detergent/Rinse aid

+7(812)987-08-81



FX 08

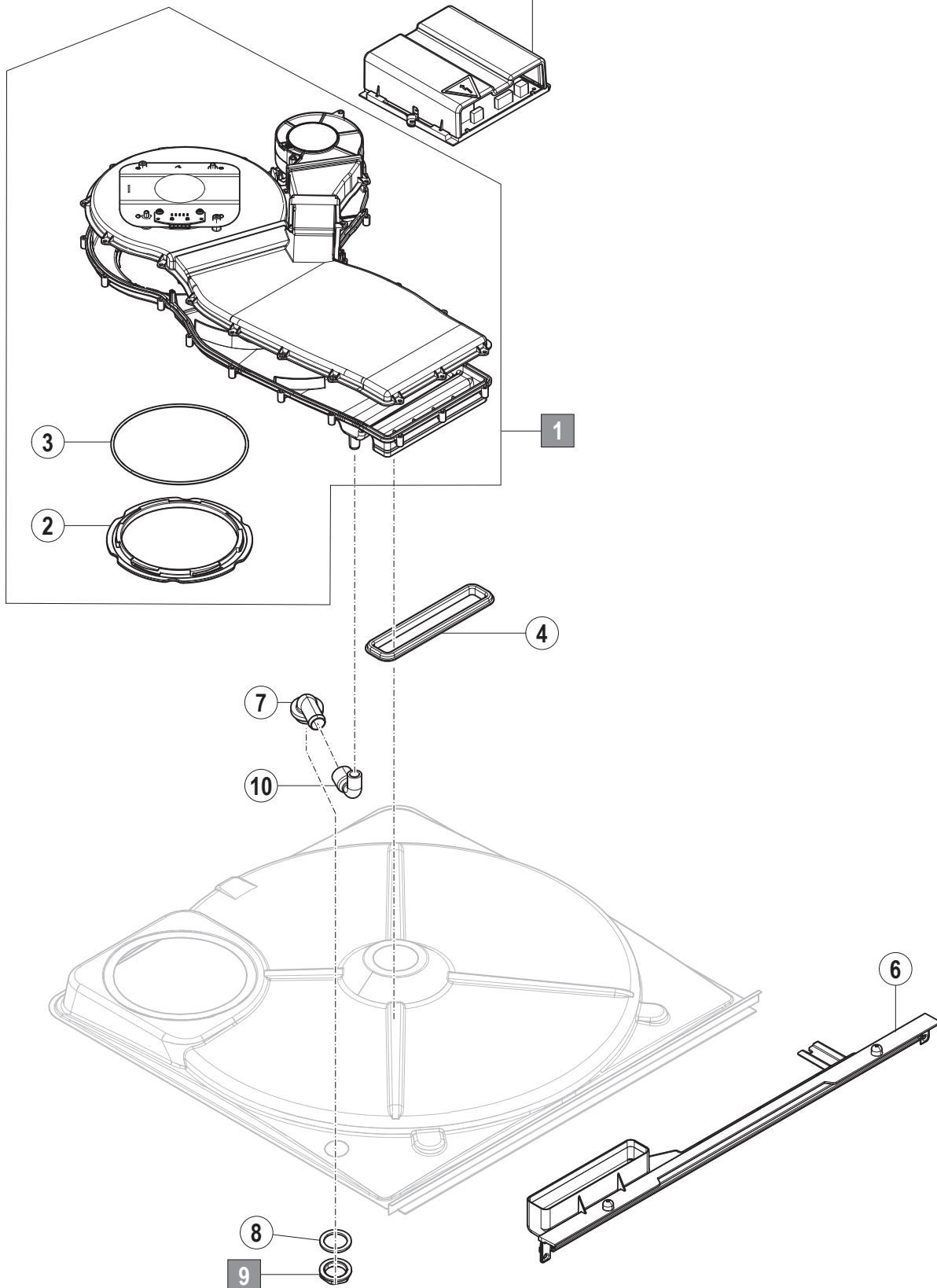
vsezip.ru

+7(812)987-08-81

Pos. no.	Part no.	Part name	Remarks
1	01-515136-001	Electrical cover	
2	01-515268-001	Dosing unit rinse aid	PREMAX only
	01-515269-006	Dosing unit rinse aid	PROFI only
3	01-515268-002	Dosing unit detergent	
4	01-515268-011	Spare parts kit mill hose rinse aid	PREMAX only
	00-775608-003	Spare parts kit mill hose rinse aid	PROFI only
5	01-515268-012	Spare parts kit mill hose detergent	
6	01-246301-001	Suction hose rinse aid	
7	01-515242-001	Hose guidance rail	
8	01-246301-005	Pressure hose rinse aid	
9	01-246301-010	Pressure hose detergent	
10	00-775239-001	Suction piece	
11	01-246210-001	Hose shell, blue	
12	00-883676-002	Spare parts kit dosing nipple	
13	01-294204-001	Chemical deficiency sensor	
14	01-515190-001	Measuring tank add-on kit	
15	01-515194-001	Front frame	
16	01-515170-001	Front lid with container	
17	01-515276-001	Reed switch	
18	01-515191-001	Magnet latch, round	
19	01-240151-001	Door bolt	
20	01-246301-013	Suction hose	

**9. Dryer**

+7(812)987-08-81



FX 09

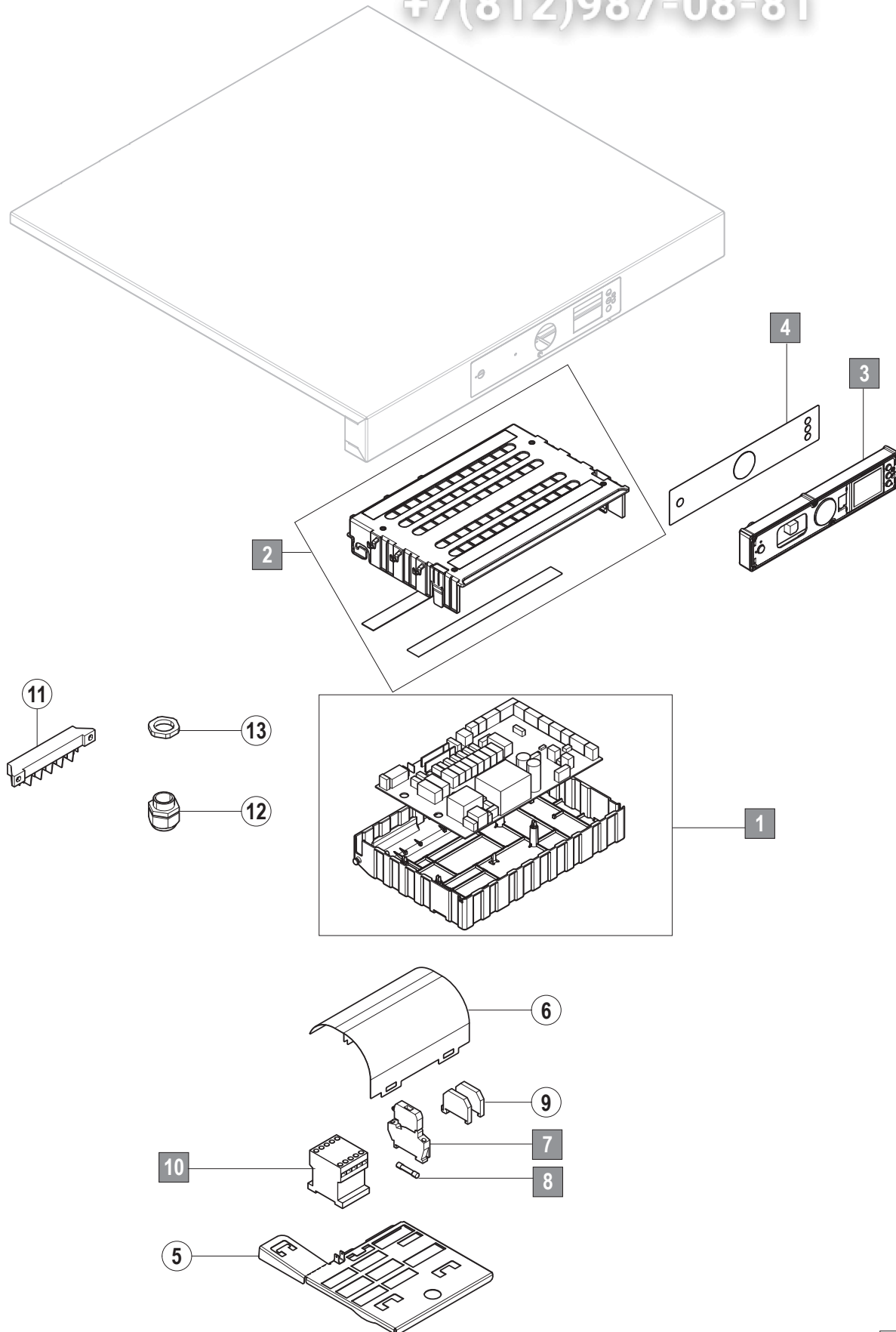
vsezip.ru

+7(812)987-08-81

Pos. no.	Part no.	Part name	Remarks
1	01-515061-001	Fan unit, compl.	
2	01-240267-001	Bayonet nut	
3	01-240272-001	Sealing	
4	01-240121-001	Sealing pipe cover plate	
5	01-240262-001	Fan control	
6	01-515056-001	Outlet nozzle drying	
7	00-324097-000	Filler piece	
8	00-775305-001	Sealing	
9	00-324384-000	Nut	
10	01-240324-001	Hose	

10. Control

+7(812)987-08-81



FX 10

vsezip.ru

+7(812)987-08-81

Pos. no.	Part no.	Part name	Remarks
1	01-515336-001	Sparepart kit control system	
2	01-515252-001	Sparepart kit outer casing	
3	01-515040-001	Operating and display unit	
4	01-515045-001	PROFI film keypad	PROFI only
	01-515046-001	PREMAX film keypad	PREMAX only
5	01-515274-001	Mounting plate, contactor	
6	01-515294-001	Protective sheet	
7	00-775548-001	Fuse clip and disconnect terminal	
8	00-775570-001	Fuse	
9	00-323981-001	End clamp	
10	00-695521-062	Contactor	
11	00-774055-001	Connection block	
12	00-695661-004	Cable fitting	
13	00-695664-004	Counter nut	

**Зип Общепит**

**vsezip.ru**

**+7(812)987-08-81**

HOBART GmbH  
Robert-Bosch-Str. 17  
77656 Offenburg  
Telefon +49(0)781.600-0  
Fax +49(0)781.600-23 19  
E-Mail: [info@hobart.de](mailto:info@hobart.de)  
Internet: [www.hobart.de](http://www.hobart.de)