

**SPARE PARTS CATALOGUE
ERSATZTEILKATALOG
CATALOGUE PIECES DETACHEES
CATALOGO PARTI RICAMBIO
CATALOGO DE PIEZAS DE RECAMBIO
CATALOGO PECAS, DE REPOSICAO**

Catalogo parti di ricambio valido
dalla matricola 3026297 ad oggi (09/10/2020)

Catalogue pieces detachees
du numero de Série n. 3026297 jusqu'à aujourd'hui (09/10/2020)

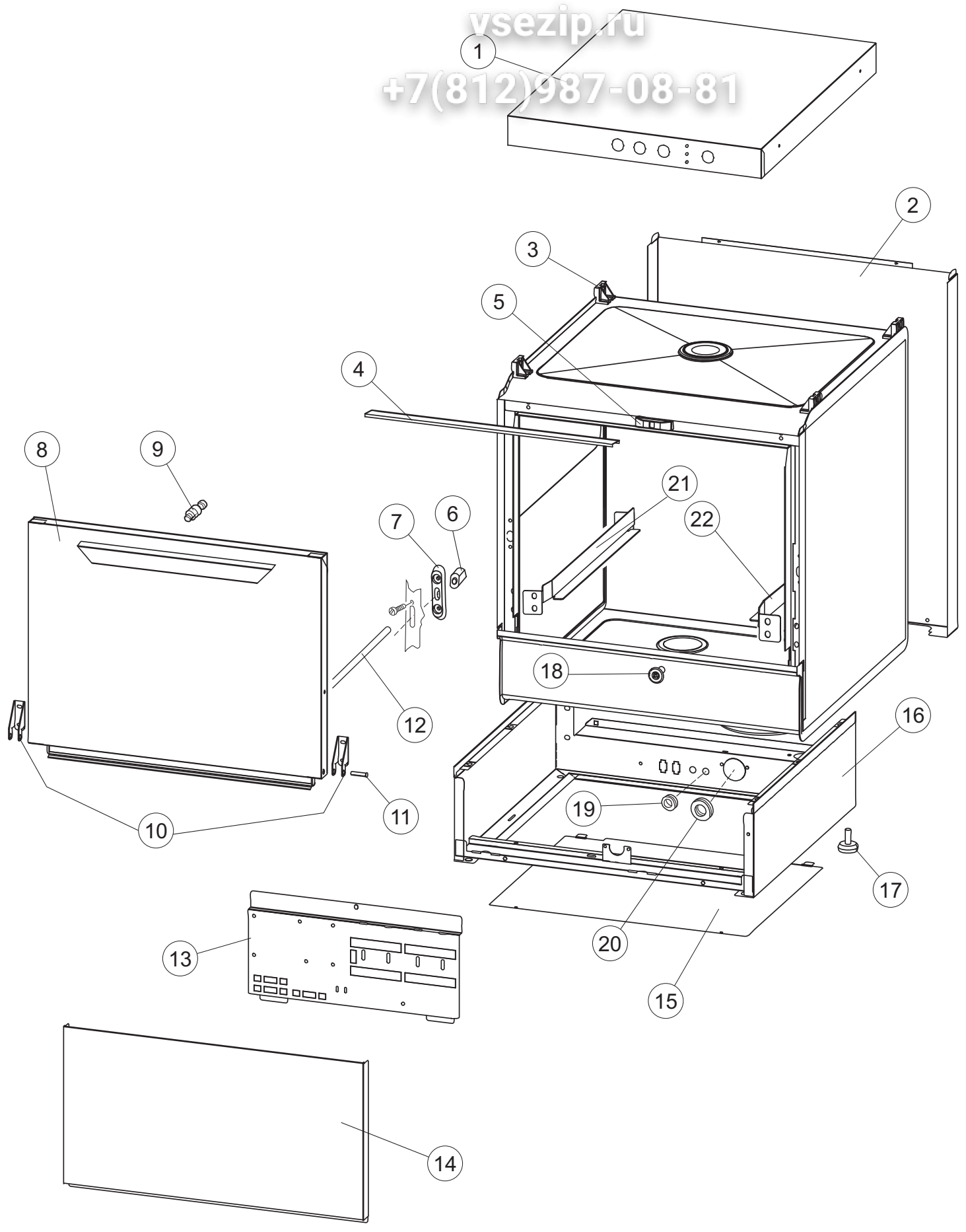
Ersatzteilkatalog
gültig ab Serien-Nr. 3026297 bis heute (09/10/2020)

Spare parts catalogue
valid from serial no. 3026297 up today (09/10/2020)

Catálogo de peças de reposição
válido do número de série 3026297 até hoje (09/10/2020)

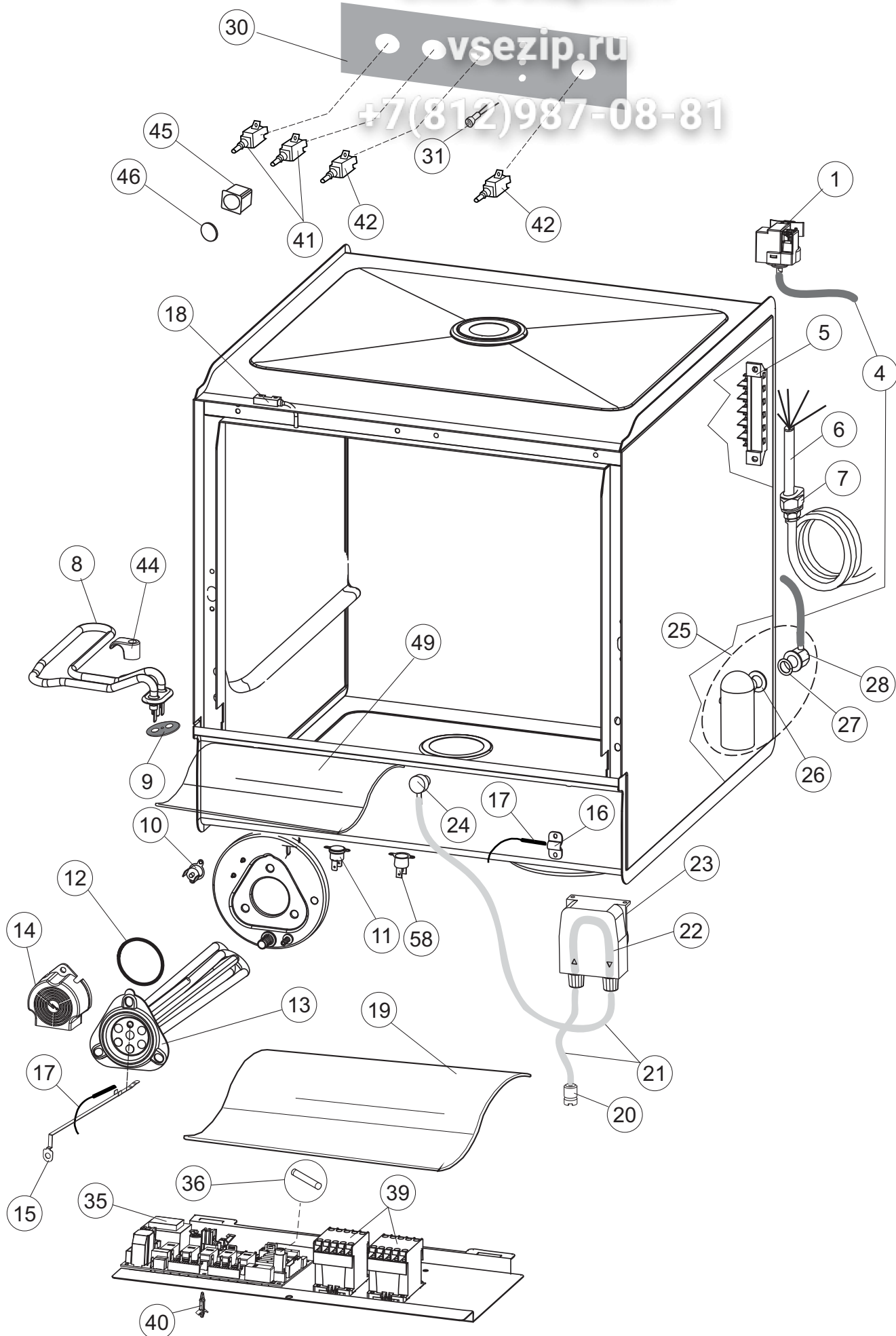
AMIKA-ECO 50

vsezip.ru
+7(812)987-08-81



2 Zip Общепит

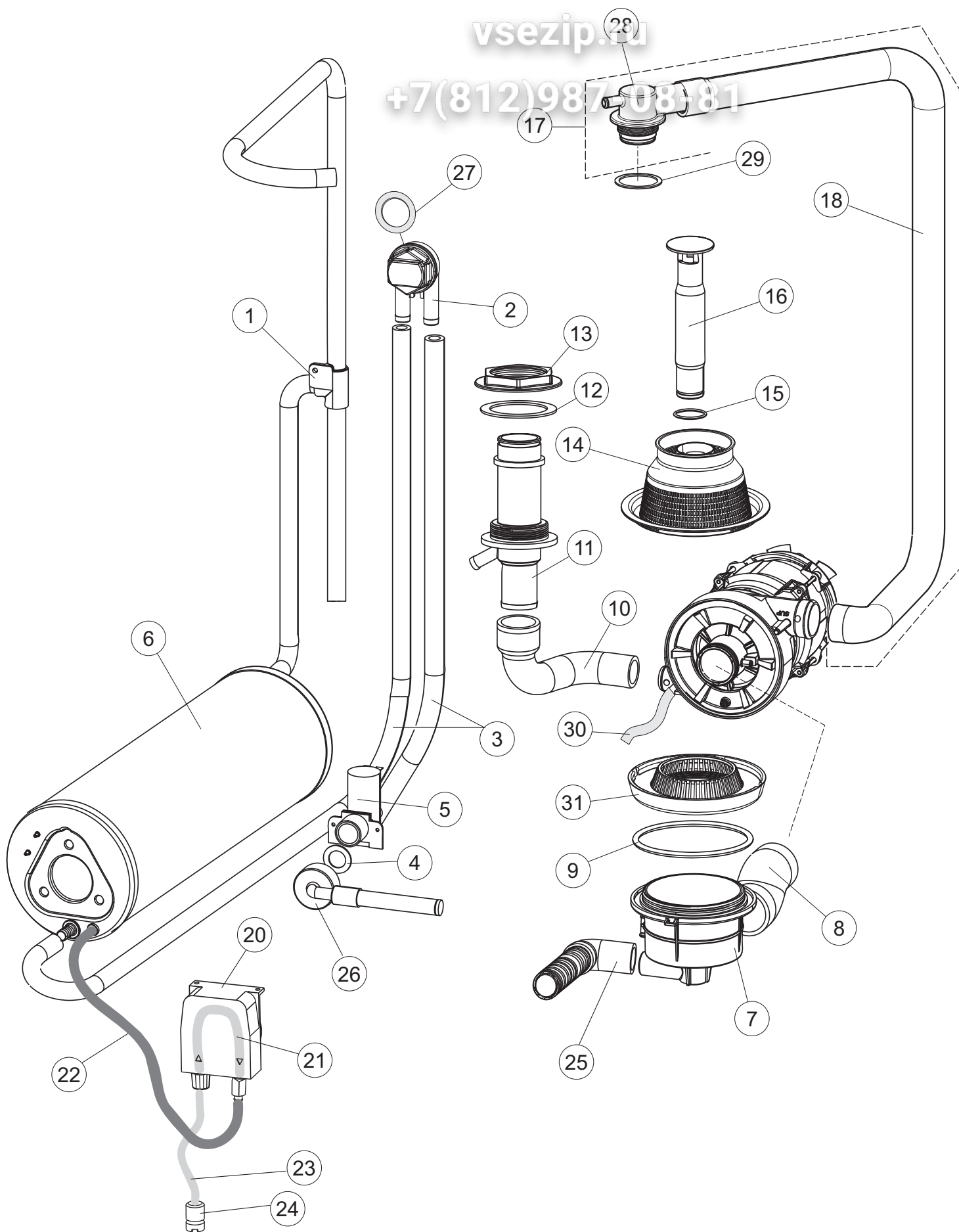
vsezip.ru
+7(812)987-08-81



3 Zip Общепит

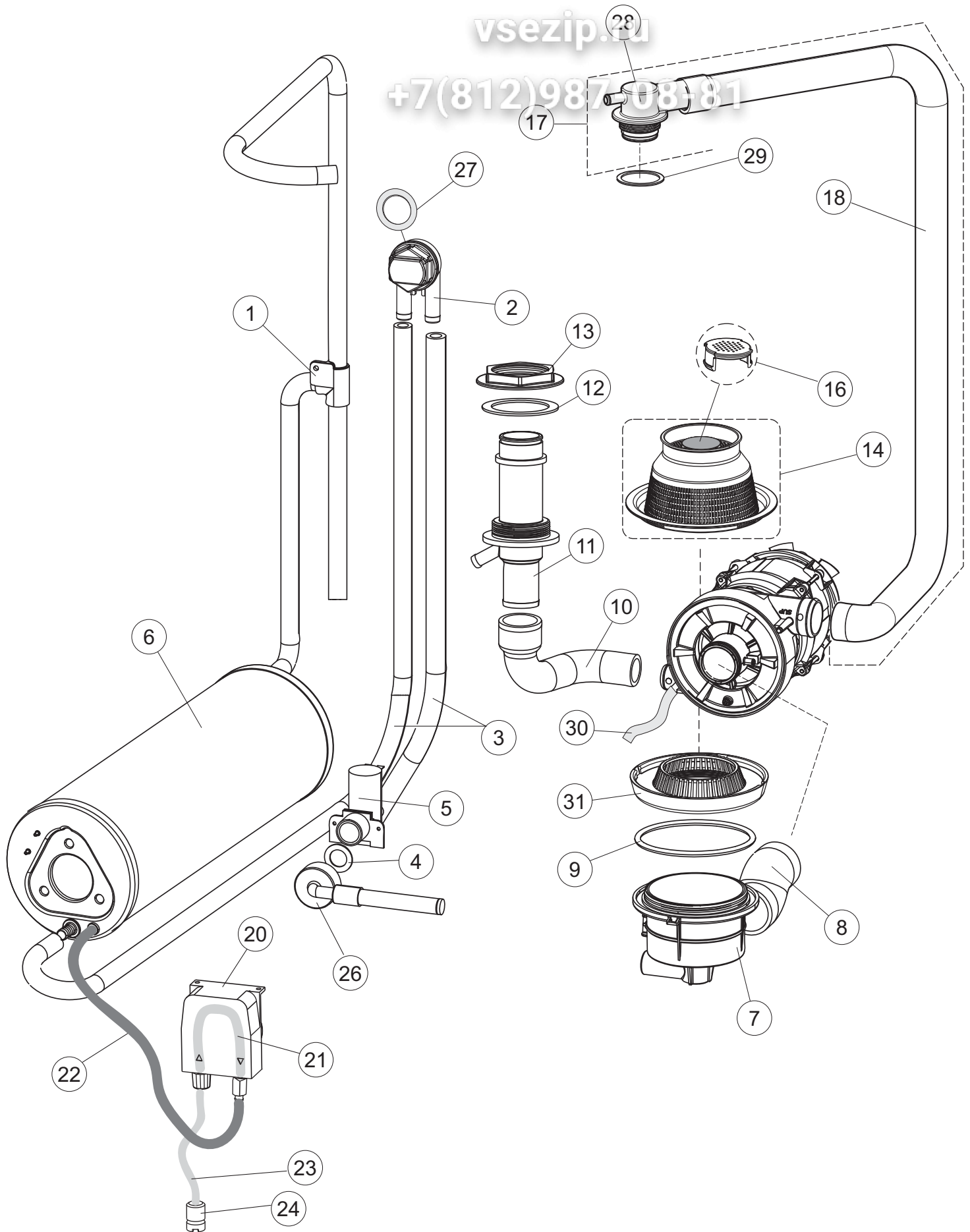
vsezip.ru

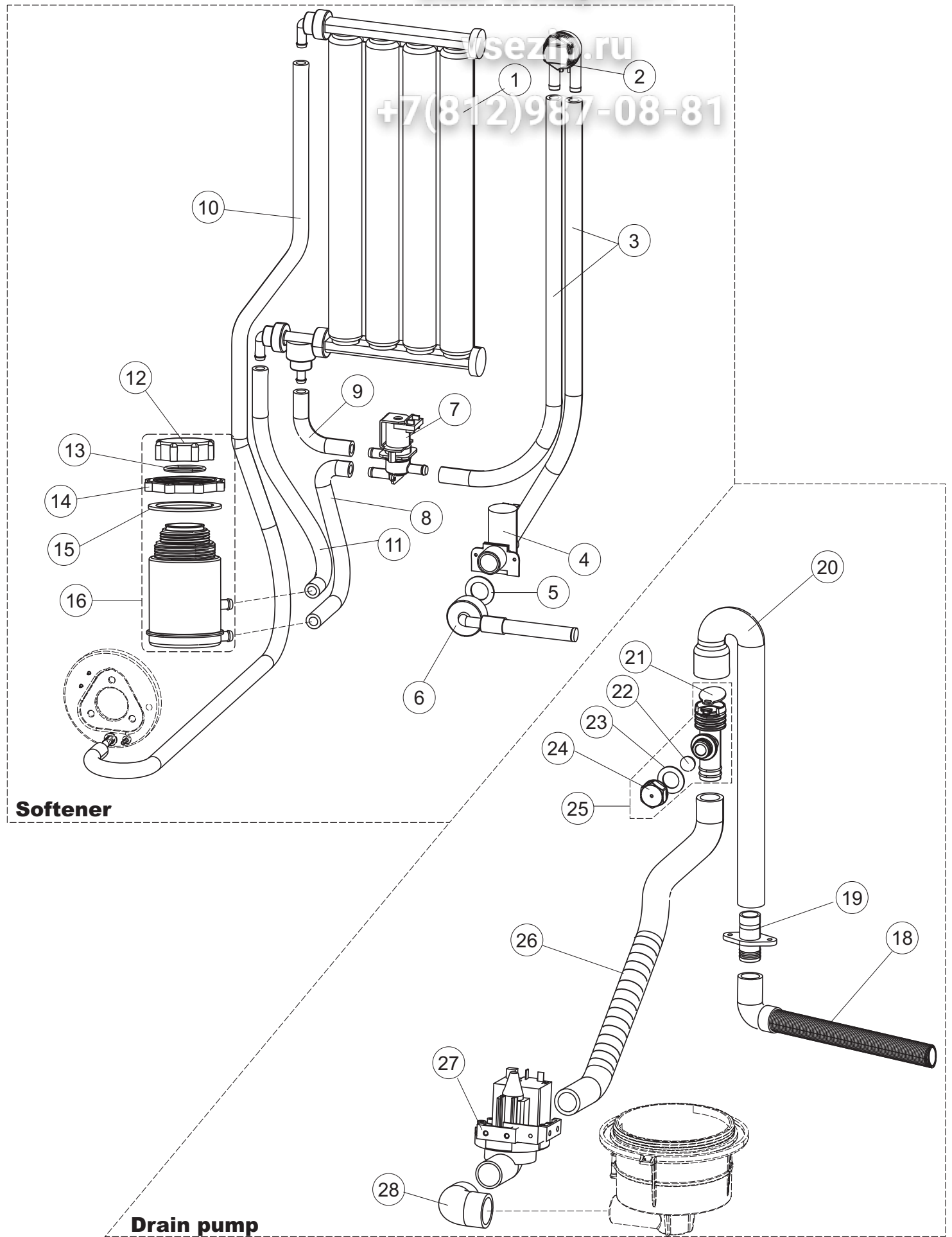
+7(812)987-08-81



vsezip.ru

+7(812)987-08-81





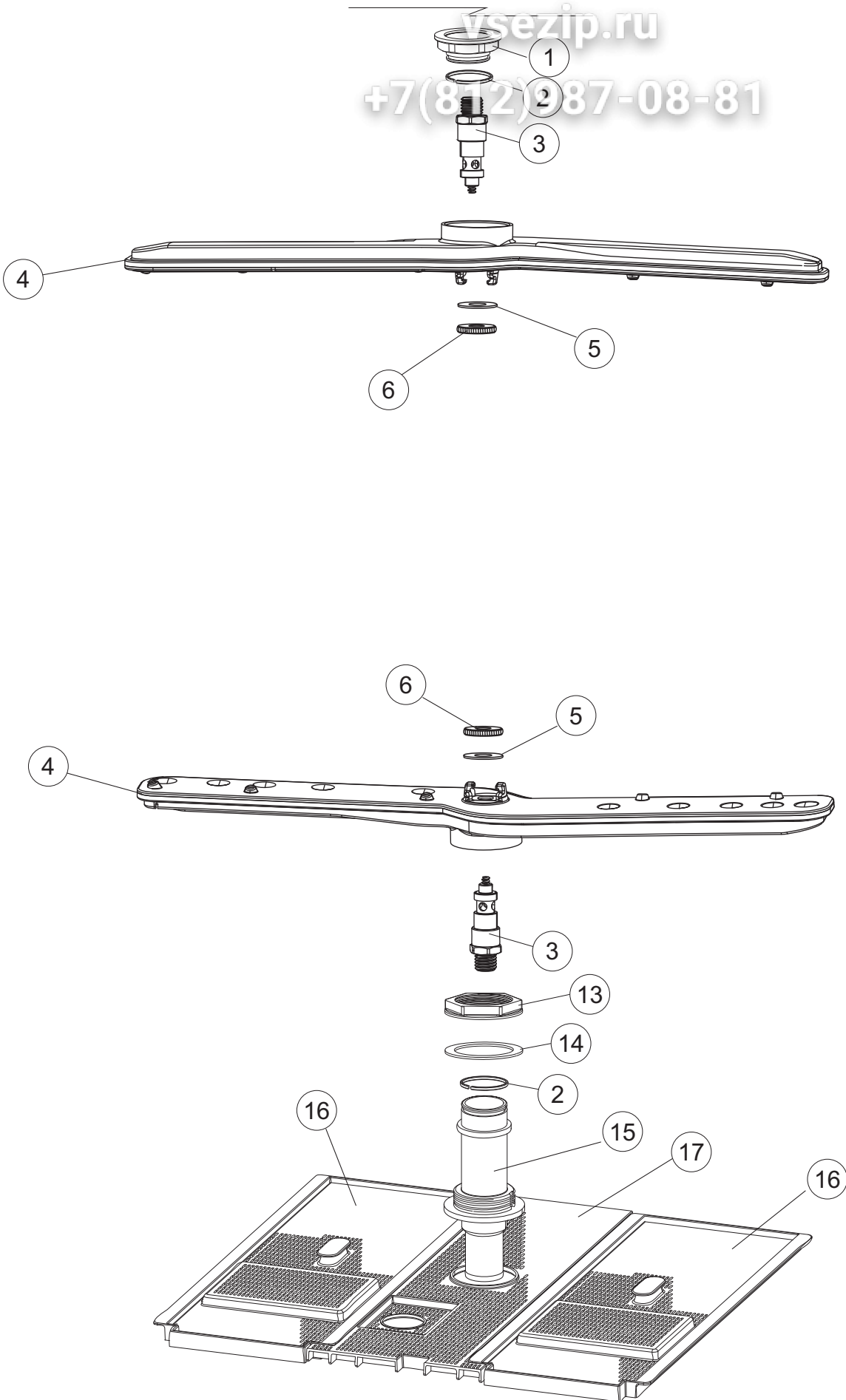
Softener

Drain pump

6 Zip Общепит

vsezip.ru

+7(812)987-08-81

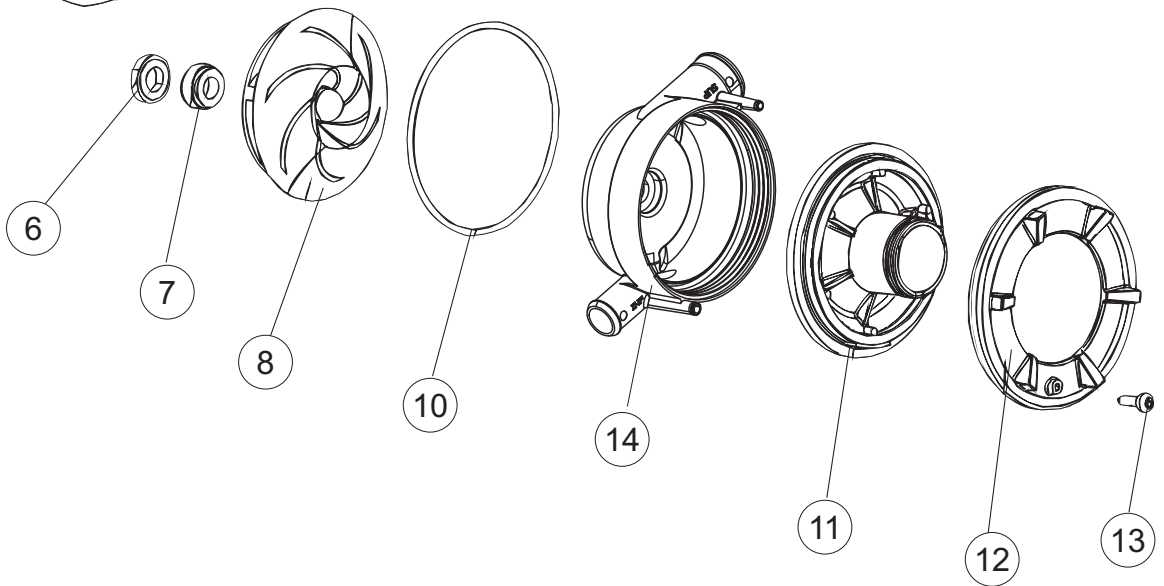
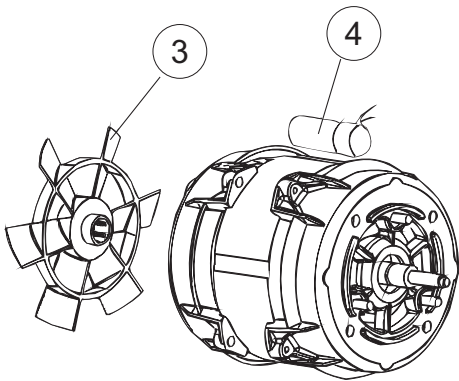
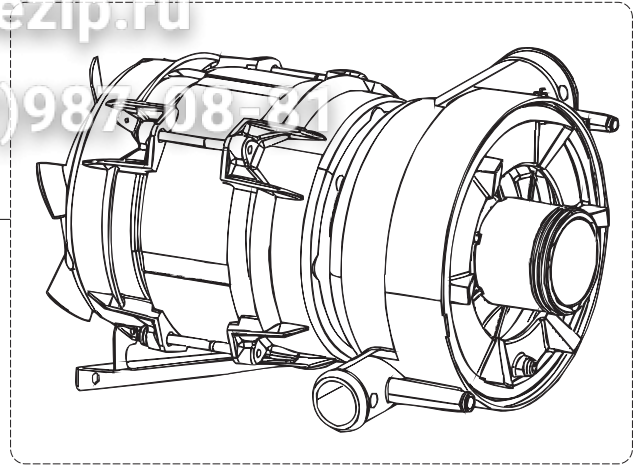


7 Зип-Общепит

vsezip.ru

+7(812)987-08-81

1



(*) Recommended spare part.

Зип Общепит

vsezip.ru

Page	Spare part position	Spare part code no.	Old code number	Description	U.m.	Price euro
1	1	004357		NOT IN PRICE-LIST		
1	2	022159		BACK PANEL	NR	46,22
1	3	035113		SUPPORT BRACKET	NR	0,84
1	4	437081	REB437081	DOOR GASKET 50/505	NR	9,45
1	5	994012	DWS30	DOOR LOCK FOR DISHWASHERS	NR	22,93
1	6	417041	REB417041	DOOR CLOSING CONTACT BETA 50 (S6198)	NR	3,59
1	7	307003	REB307003	NUT OF TOP DOOR-STOP BAR	NR	5,20
1	8	029841		DOOR LA500 TRIDENT	NR	198,90
1	9	325066	REB325066	DOOR CLOSURE STAKE FOR GLASSWASHERS	NR	4,11
1	10	311019	REB311019	DOOR HINGE D18/G25 (S6662)	NR	5,97
1	11	325036	REB325036	PIVOT	NR	4,63
1	12	304021	REB304021	DOOR TIE ROD FOR DISHWASHER (S6323)	NR	8,14
1	13	035112		WIRING PANEL	NR	22,30
1	14	012338		FRONT PANEL	NR	41,23
1	15	030195		UNDERPROTECTION FOR BASIS OF GLASS- WASHER	NR	17,76
1	16	040123		BASE FRAME LA500	NR	118,73
1	17	461019	REB461019	HEXAGONAL FOOT ADJUSTABLE FOR DISHWASHER	NR	2,40
1	18	480153		PLUG	NR	0,87
1	19	459006	REB459006	CHOCK D INT 9 EST 16	NR	0,55
1	20	459004	REB459004	DRAIN PUMP CHOCK	NR	2,40
1	21	015064		RACK SLIDE SX.	NR	9,72
1	22	015063		RACK SLIDE DX.	NR	11,09
2	1	224031		PRESSURE SWITCH	NR	40,80
2	4	143235		PIPE	MT	8,64
2	5	220011	REB220011	TERMINAL BLOCK	NR	10,23
2	6	H.374339-2		CABLE H07RN-F 5X2.5X2.5MT	NR	34,69
2	7	459005	REB459005	CABLE-RETAINER	NR	11,31
2	8	74169		HEATING ELEMENT 2100W 230V	NR	51,00
2	9	437086	REB437086	PACKING OF THE TANK RESISTANCE	NR	5,18
2	10	236047	REB236047	SAFETY TANK THERMOSTAT 95C	NR	10,11
2	11	236061		THERMOSTAT 127	NR	7,50
2	12	456002	REB456002	O-RING	NR	1,23

(*) Recommended spare part.

Зип Общепит

vsezip.ru

Page	Spare part position	Spare part code no.	Old code number	Description	U.m.	Price euro
2	13	230111		HEATING ELEMENT	NR	98,89
2	14	69870		BOILER HEATING ELEMENT PROTECTION	NR	3,81
2	15	69871		PROBE HOLDER	NR	11,04
2	16	028105		FIXING PLATE	NR	1,25
2	17	231016		TEMPERATURE PROBE	NR	28,18
2	18	80871		MAGNETIC DOOR SWITCH	NR	21,54
2	19	214114		TRANSPARENT PROTECTION FOR ELECTRIC INSTALLATION FOR DISHWASHER	NR	7,66
2	20	121993		FILTER AID DISPENSER	NR	8,00
2	21	143194	REB143194	PIPE	MT	1,06
2	22	143258		"SANTOPRENE" PIPE	NR	23,50
2	23	209043		DETERGENT DOSING PUMP	NR	80,13
2	24	999348		DETERGENT TANK FITTING	NR	20,06
2	25	984007		CONTROL GROUP THE LEVEL OF WATER	NR	5,69
2	26	437019	REB437019	PACKING FOR AIR TRAP OF PRESSURE SWITCH	NR	1,23
2	27	456020	REB456020	O-RING	NR	1,23
2	28	468029	REB468029	AIR TRAP CONNECTION OF PRESSURE SWITCH	NR	2,26
2	30	056373		NOT IN PRICE-LIST		
2	31	216032		LAMP	NR	2,51
2	35	215042-4		MAIN BOARD GET50.2	NR	199,90
2	36	228010		FUSE	NR	1,40
2	39	229042		AUXILIARY CONTACT	NR	40,44
2	40	461028		FOOT BOARD SUPPORT	NR	0,56
2	41	208010	REB208010	DOUBLE SWITCH	NR	7,52
2	42	226071	REB226071	CYCLE PUSH-BUTTON - 2 CONTACTS	NR	8,83
2	44	999351		GROUP STOPPED TANK HEATER	NR	12,42
2	45	226129		PUSH BUTTON CASE	NR	1,09
2	46	227079		BUTTON	NR	1,05
2	49	214108		PVC CURTAIN FOR ELECTRIC PROTECTION	NR	14,24
2	58	236052		THERMOSTAT 90+/-3C	NR	10,31
3	1	143263		PIPE	NR	47,66
3	2	144030		NO RETURN VALVE	NR	22,85
3	3	143004	REB143004	PIPE	MT	15,72

(*) Recommended spare part.

Зип Общепит

vsezip.ru

Page	Spare part position	Spare part code no.	Old code number	Description	U.m.	Price euro
3	4	437041	REB437041	GASKET	NR	1,48
3	5	240011	REB240011	FILL VALVE	NR	14,29
3	6	104060		BOILER	NR	129,47
3	7	136030		ASPIRATION AND DRAIN BODY	NR	8,67
3	8	127082		DELIVERY WASH HOSE	NR	15,68
3	9	456076		O-RING	NR	3,11
3	10	127085		DELIVERY WASH HOSE	NR	21,69
3	11	115143		MAINFOLD	NR	10,99
3	12	437102		GASKET	NR	2,09
3	13	429073		RING NUT	NR	7,67
3	14	121161		NOT IN PRICE-LIST		
3	15	456081		O-RING	NR	1,64
3	16	142058		OVERFLOW PIPE	NR	10,62
3	17	115150		MAINFOLD	NR	47,44
3	18	127133		DELIVERY WASH HOSE	NR	61,58
3	20	209042		DOSING PUMP	NR	80,13
3	21	143261		HOSE	NR	29,66
3	22	143005	SPG10	LINEN RUBBER PIPE 5X12 - BLACK	MT	12,27
3	23	H.775601		PIPE	MT	4,66
3	24	121993		FILTER AID DISPENSER	NR	8,00
3	25	143252		DRAIN HOSE	NR	18,32
3	26	143270		INLET WRAS PIPE	NR	7,00
3	27	437080		GASKET	NR	1,61
3	28	115149		SUPPORT ARMS WASH / RINSE	NR	4,99
3	29	437113		GASKET	NR	1,40
3	30	H.165168		PIPE	MT	3,02
3	31	429072		RING NUT	NR	8,87
4	1	143263		PIPE	NR	47,66
4	2	144030		NO RETURN VALVE	NR	22,85
4	3	143004	REB143004	PIPE	MT	15,72
4	4	437041	REB437041	GASKET	NR	1,48
4	5	240011	REB240011	FILL VALVE	NR	14,29

(*) Recommended spare part.

Зип Общепит

vsezip.ru

Page	Spare part position	Spare part code no.	Old code number	Description	U.m.	Price euro
4	6	104060		BOILER	NR	129,47
4	7	136030		ASPIRATION AND DRAIN BODY	NR	8,67
4	8	127082		DELIVERY WASH HOSE	NR	15,68
4	9	456076		O-RING	NR	3,11
4	10	127085		DELIVERY WASH HOSE	NR	21,69
4	11	115143		MAINFOLD	NR	10,99
4	12	437102		GASKET	NR	2,09
4	13	429073		RING NUT	NR	7,67
4	14	121172		NOT IN PRICE-LIST		
4	16	480162		PLUG	NR	2,64
4	17	115150		MAINFOLD	NR	47,44
4	18	127133		DELIVERY WASH HOSE	NR	61,58
4	20	209042		DOSING PUMP	NR	80,13
4	21	143261		HOSE	NR	29,66
4	22	143005	SPG10	LINEN RUBBER PIPE 5X12 - BLACK	MT	12,27
4	23	H.775601		PIPE	MT	4,66
4	24	121993		FILTER AID DISPENSER	NR	8,00
4	26	143270		INLET WRAS PIPE	NR	7,00
4	27	437080		GASKET	NR	1,61
4	28	115149		SUPPORT ARMS WASH / RINSE	NR	4,99
4	29	437113		GASKET	NR	1,40
4	30	H.165168		PIPE	MT	3,02
4	31	429072		RING NUT	NR	8,87
5	1	117009		WATER SOFTNER	NR	81,00
5	2	144030		NO RETURN VALVE	NR	22,85
5	3	143004	REB143004	PIPE	MT	15,72
5	4	240016	DEV3S16	SOLENOID VALVE	NR	18,66
5	5	437041	REB437041	GASKET	NR	1,48
5	6	143270		INLET WRAS PIPE	NR	7,00
5	7	999288		SOLENOID VALVE	NR	53,09
5	8	127138		SLEEVE	NR	6,66
5	9	127140		SLEEVE	NR	7,00

(*) Recommended spare part.

Зип Общепит

vsezip.ru

Page	Spare part position	Spare part code no.	Old code number	Description	U.m.	Price euro
5	10	127137		SLEEVE	NR	19,98
5	11	127139		SLEEVE	NR	6,66
5	12	480005	REB480005	SALT CONTAINER SCREW CAP	NR	8,18
5	13	456052	REB456052	O-RING	NR	1,23
5	14	429011	REB429011	RING NUT	NR	7,13
5	15	437034	REB437034	GASKET	NR	5,23
5	16	406998	REB406998	SALT CONTAINER UNIT	NR	29,66
5	18	143137	REB143137	DRAIN HOSE	NR	18,32
5	19	468152	REB468152	DRAIN CONNECTION FOR DISHWASHERS SERIE	NR	4,10
5	20	127136		SLEEVE	NR	17,48
5	21	499092		DIAPHRAGM VALVE VENT	NR	2,25
5	22	476008		SPHERE	NR	1,87
5	23	437083		GASKET	NR	0,63
5	24	468199		PIPE FITTING	NR	6,44
5	25	144992		NO RETURN VALVE	NR	15,98
5	26	127158		SLEEVE	NR	5,98
5	27	999364		DRAIN PUMP + BRACKET 220/240-50HZ	NR	33,30
5	28	127134		SUCTION PIPE	NR	7,50
6	1	429079		RING NUT	NR	3,14
6	2	303040		RING	NR	3,99
6	3	325109		PIVOT	NR	16,72
6	4	990128		RINSE AND WASH ARM	NR	15,50
6	5	437117		WASHER	NR	0,43
6	6	454006		RING NUT	NR	4,46
6	13	429073		RING NUT	NR	7,67
6	14	437102		GASKET	NR	2,09
6	15	115143		MAINFOLD	NR	10,99
6	16	121139		STAINER	NR	22,33
6	17	121145		STAINER	NR	9,96
7	1	130977		WASH-BODY UNIT AND PUMP (130174)LA500 50HZ	NR	219,17
7	3	335015		WASHPUMP FUN	NR	12,36
7	4	206015		CAPACITOR	NR	6,50

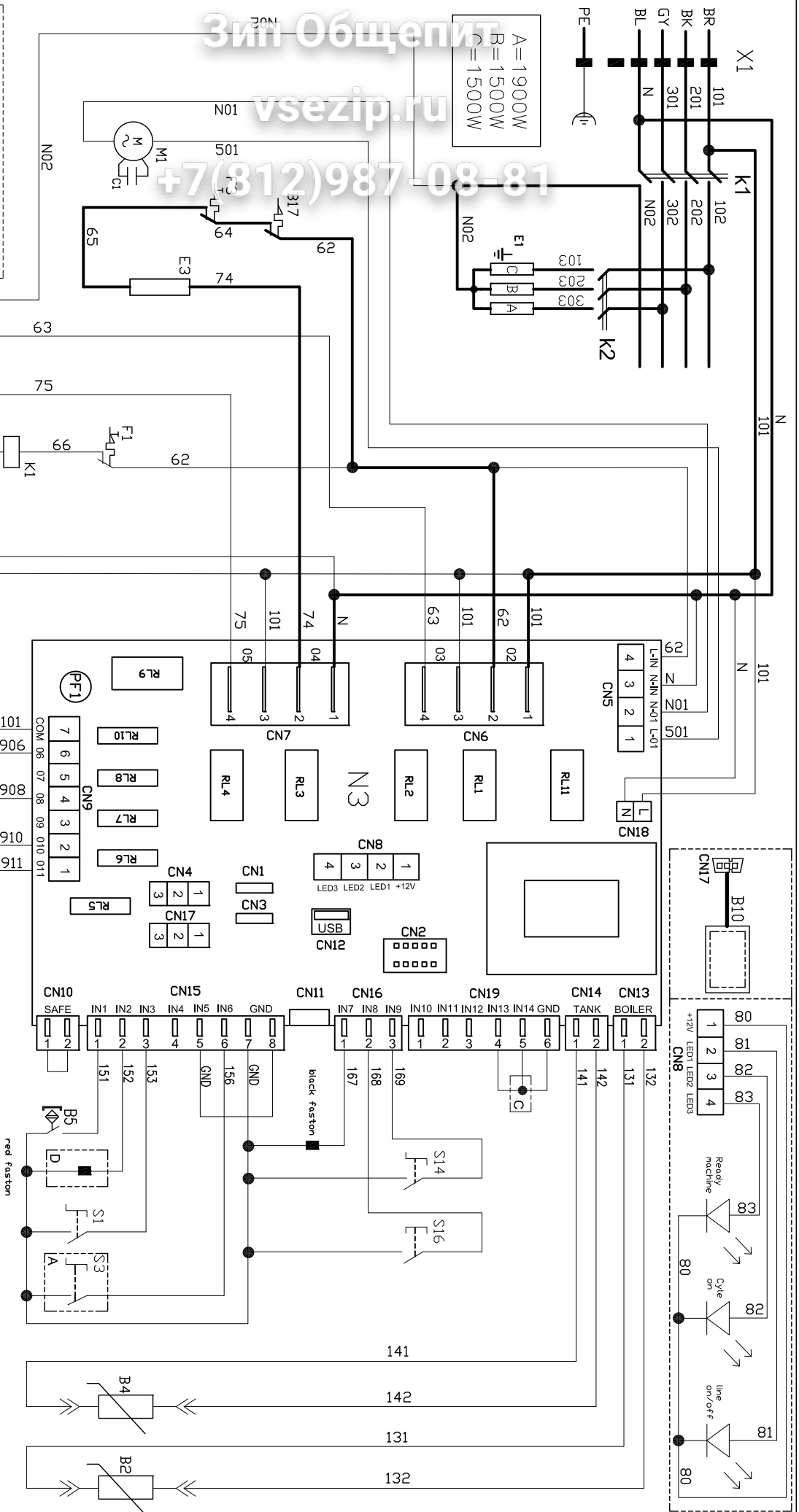
(*) Recommended spare part.

Зип Общепит

vsezip.ru

Page	Spare part position	Spare part code no.	Old code number	Description	U.m.	Price euro
7	6	141008		WASHPUMP SHAFT SEAL	NR	9,02
7	7	141009		WASHPUMP SHAFT SEAL	NR	9,02
7	8	124057		ELECTROPUMP IMPELLER	NR	38,08
7	10	456078		O-RING	NR	4,88
7	11	480159		PLUG	NR	14,58
7	12	429074		RING NUT	NR	16,15
7	13	486242		SCREW	NR	0,17
7	14	116032		ELECTROPUMP HOUSING	NR	27,19

Зин Общепит
 vsezip.ru
 +7(812)987-08-81



OPTIONAL

A= DRAIN PUMP
 B= DETERGENT PUMP
 C= SOFTNER
 D= THERMOSTOP
 (connected=thermostop on
 (not connected=thermostop off))

N° MODIFICA		DESCRIZIONE		SOSTITUISCIE		DATA		Code		
								denomination		
								WIRING DIAGRAM		
								Code		
								1347		
								n°/file		
								1347		
								mod		

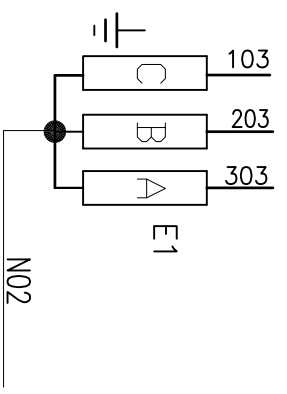
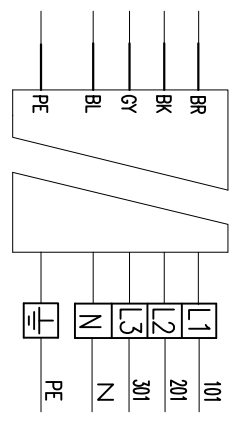
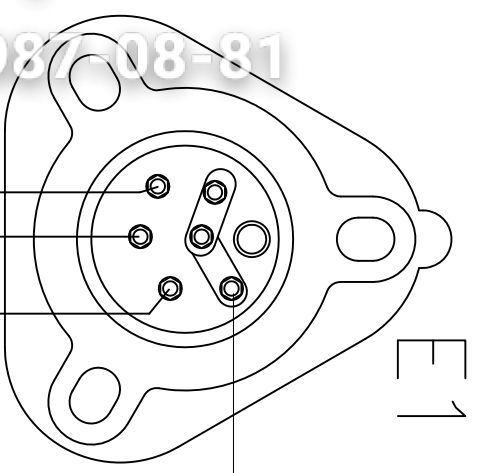
								Code		
								1347		
								n°/file		
								1347		
								mod		

								Code		
								1347		
								n°/file		
								1347		
								mod		

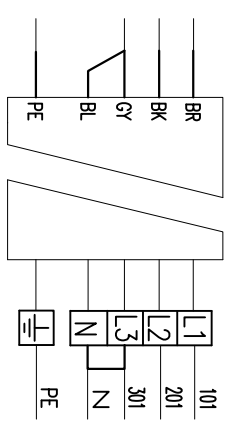
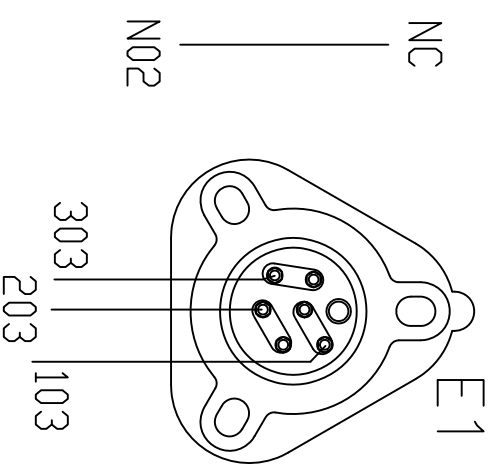
Code machine		re-examined		denomination		Code		
LQ 500				WIRING DIAGRAM		1347		
inspected by		date		diswasher		n°/file		
Bertolini		09/01/17		4		1347		
validated by		date		total bloc		mod		
		09/01/17		1		---		
				N°/bloc				
				Next bloc				

400V 3N 50Hz 5,4kW 16A

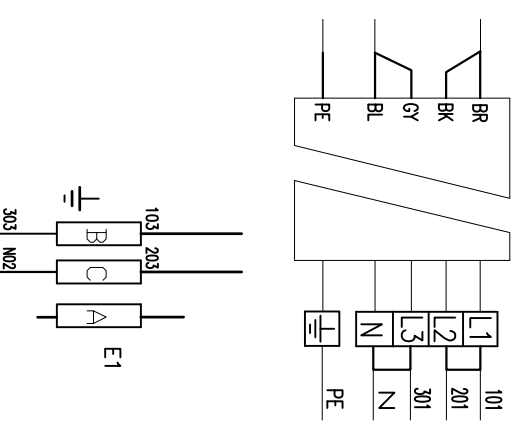
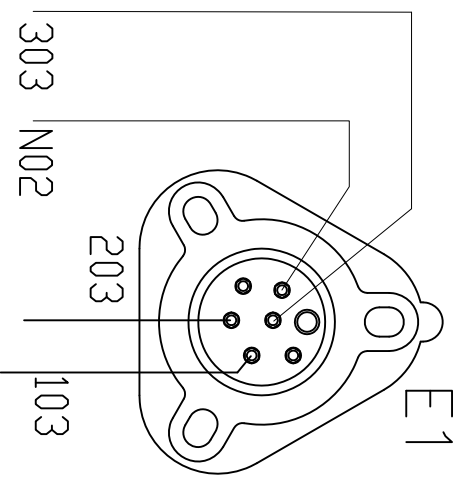
Зип Общепит
vsezip.ru
+7(812)987-08-81



230V 3 50Hz 5,4kW 16A



230V 1N 50Hz 3,5kW 16A



A = 1900W
B = 1500W
C = 1500W

DESCRIPTION

SUBSTITUTE

DATA

code machine

re-examined

inspected by

validated by

date

09/01/17

09/01/17

09/01/17

demonstration

WIRING DIAGRAM

Disassemblers

total Blatt

nr Blatt

next Blatt

Code

1347

n/file

1347a

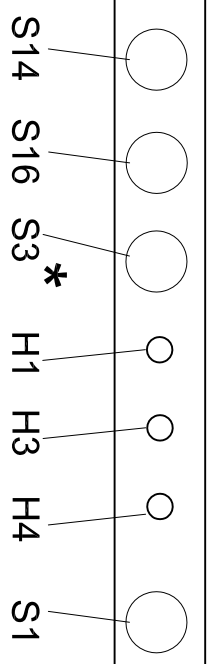
rod

01 02 03 04 05 06 07 08 09 10 11 12 13 14 15 16 17 18

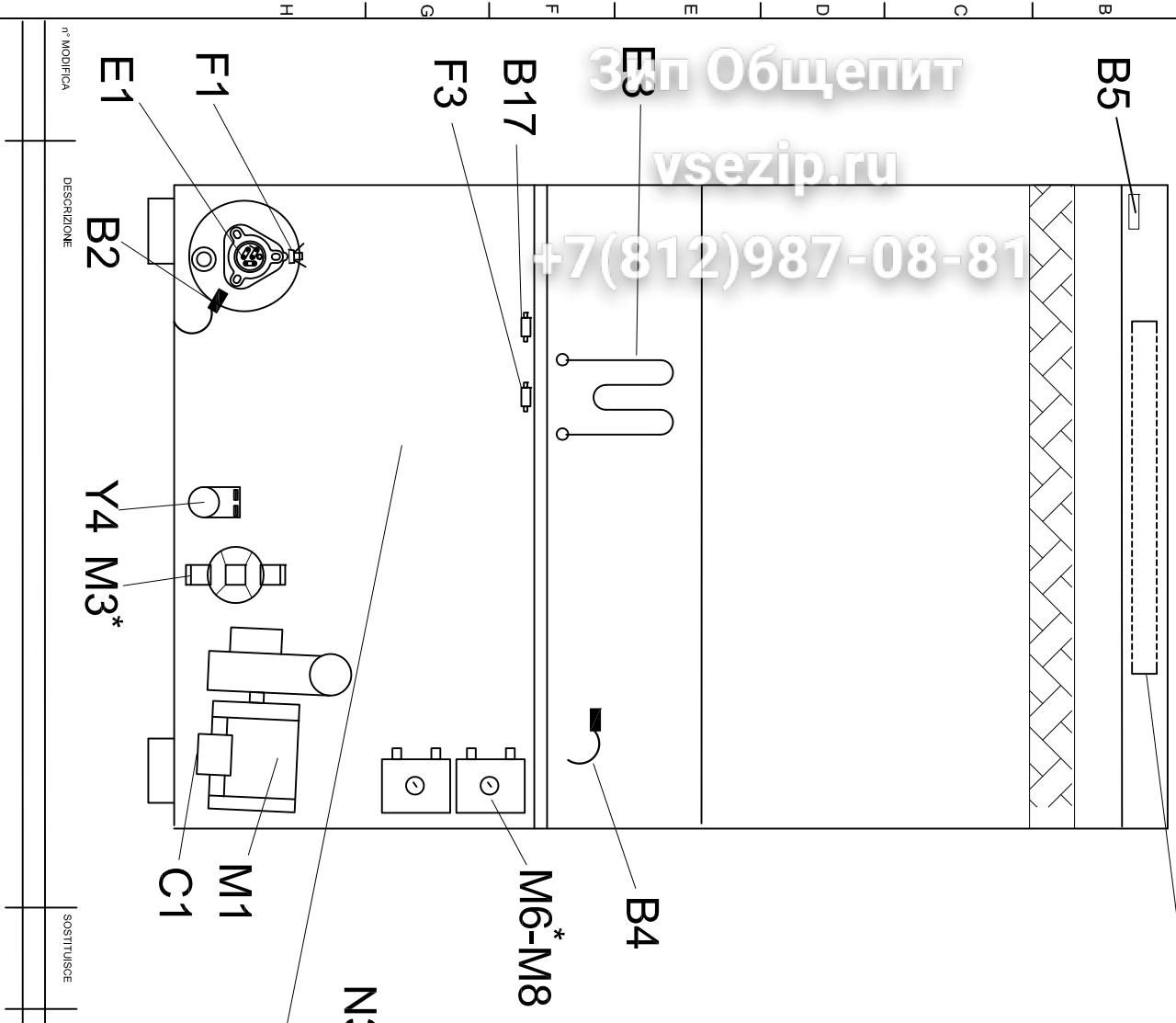
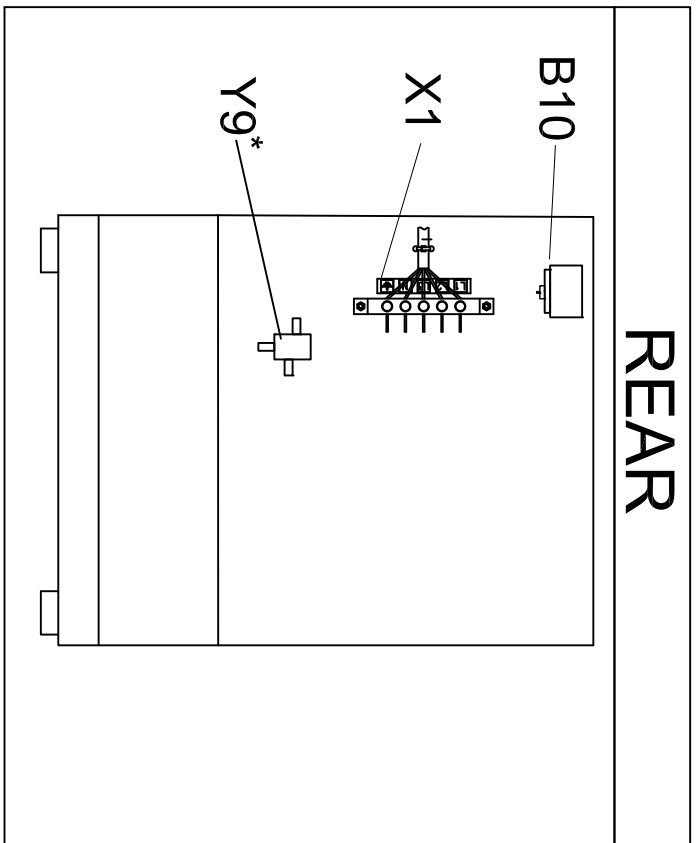
01 02 03 04 05 06 07 08 09 10 11 12 13 14 15 16 17 18

OPTIONAL**

Front panel



REAR



3Zip Общепит

vsezip.ru

+7(812)987-08-81

n° MODIFICA		DESCRIZIONE		SOSTITUISCE		DATA		Code	
-		-		-		-		1347	
code machine	re-examined	date	denomination	code machine	re-examined	date	denomination	n° file	mod
-	09/01/17	09/01/17	TOPOGRAPHIC	-	09/01/17	09/01/17	TOPOGRAPHIC	1347T	-
Inspected by	Validated by	date	total blatt	N° blatt	Next blatt				
Bertolini	Bertolini	09/01/17	4	3	-				

B2	Boiler probe	Temperaturfühler Durchlauferhitzer	Sonde surchauffeur	Sonda boiler
B4	Tank probe	Tanktemperaturefühler	Sonde cuve	Sonda vasca
B5	Door switch	Reed- Türsicherheitkontaktschalter	Micro contact de porte	Micro porta
B10	Tank level control	Tankniveauschalter	Pressostat de cuve	Controllo livello vasca
B17	Tank limiting thermostat	Tank begrenzugs thermostat	Thermostat de limitation de la cuve	Termostato limitatore v
C1	Wash pump noise filter	Fünkenstörfilter Umwälzpumpe	Condensateur pompe de lavage	Condensatore pompa la
C2	Rinse booster pump noise filt.	Fünkenstörfilter Drucksteigerungspumpe	Condensateur pompe auxiliaire	Condensatore pompa a
E1	Boiler heating element	Heizkörper Durchlauferhitzer	Resistance du surchauffeur	Resistenza boiler
E3	Tank heating element	Tankheizung	Resistance de cuve	Resistenza vasca
F1	Boiler safety thermostat	Durchlauferhitzer Temperaturbegrenzer	Thermostat securite surchauffeur	Termostato sicurezza b
F3	Tank safety thermostat	Tanktemperaturbegrenzer	Thermostat securite cuve	Termostato sicurezza v
H1	Power lamp	Netz Kontrolleuchte	Voyant reseau	Spia di linea
H3	Cycle lamp	Spülprogramm Kontrolleuchte	Voyant de cycle	Spia ciclo
H4	Heating lamp	Heizkörper Kontrolleuchte	Voyant de chauffage	Spia riscaldamento
K1	Main relay	Relais EIN / AUS	Relais Marche / Arrêt	Relè di linea
K2	Boiler heating element relay	Durchlauferhitzer Heizkörper Relais	Relais resistance surchauffeur	Relè resistenza boiler
M1	Wash pump motor	Motor Umwälzpumpe	Moteur pompe lavage	Motore pompa lavaggio
M3	Drain pump motor	Motor Laugenpumpe	Moteur pompe vidange	Motore pompa scarico
M6	Detergent pump motor	Dosiergerät Reiniger	Moteur pompe produit lavage	Dosatore detergente
M8	Rinse aid pump motor	Dosiergerät Glänzmittel	Moteur pompe produit de rinçage	Dosatore brillantante
N3	Electronic control	Programmschaltwerk Elektronikmodul	Carte controle cycle	Scheda controllo ciclo
S1	Start cycle push button	START- Taste Spülprogramm	Poussoir mise en cycle	Pulsante avvio ciclo
S3	Drain push button	Taste Laugenpumpe (Entleeren)	Poussoir pompe vidange	Pulsante pompa scarico
S14	Machine main switch	Umschalter Betriebs / Ruhestellung - Regenerieren	Sélecteur lavage / arrêt - regeneration	Deviatore servizio / ripoc rigenerazione
S16	Wash time selector	Wahlschalter Spülprogrammdauer	Sélecteur durée cycle	Selettore tempi
Y4	Fill / hot rinse solenoid valve	Elektromagnetventil Füllen / Klarspülung warm	Electrovanne remplissage	Elettrovalvola carico / ri
Y9	Regeneration solenoid switch valve	Regenerieren Elektromagnet wechselventil	Electrovanne échangeur régénération	Elettrovalvola scambiat rigenerazione