

DESPIECE TÉCNICO TECHNICAL PARTS

Lavavajillas

Dishwasher

MODELOS

CO-112 / DD / B / B DD

CO-172 / DD / B / B DD

Enero 2015 January

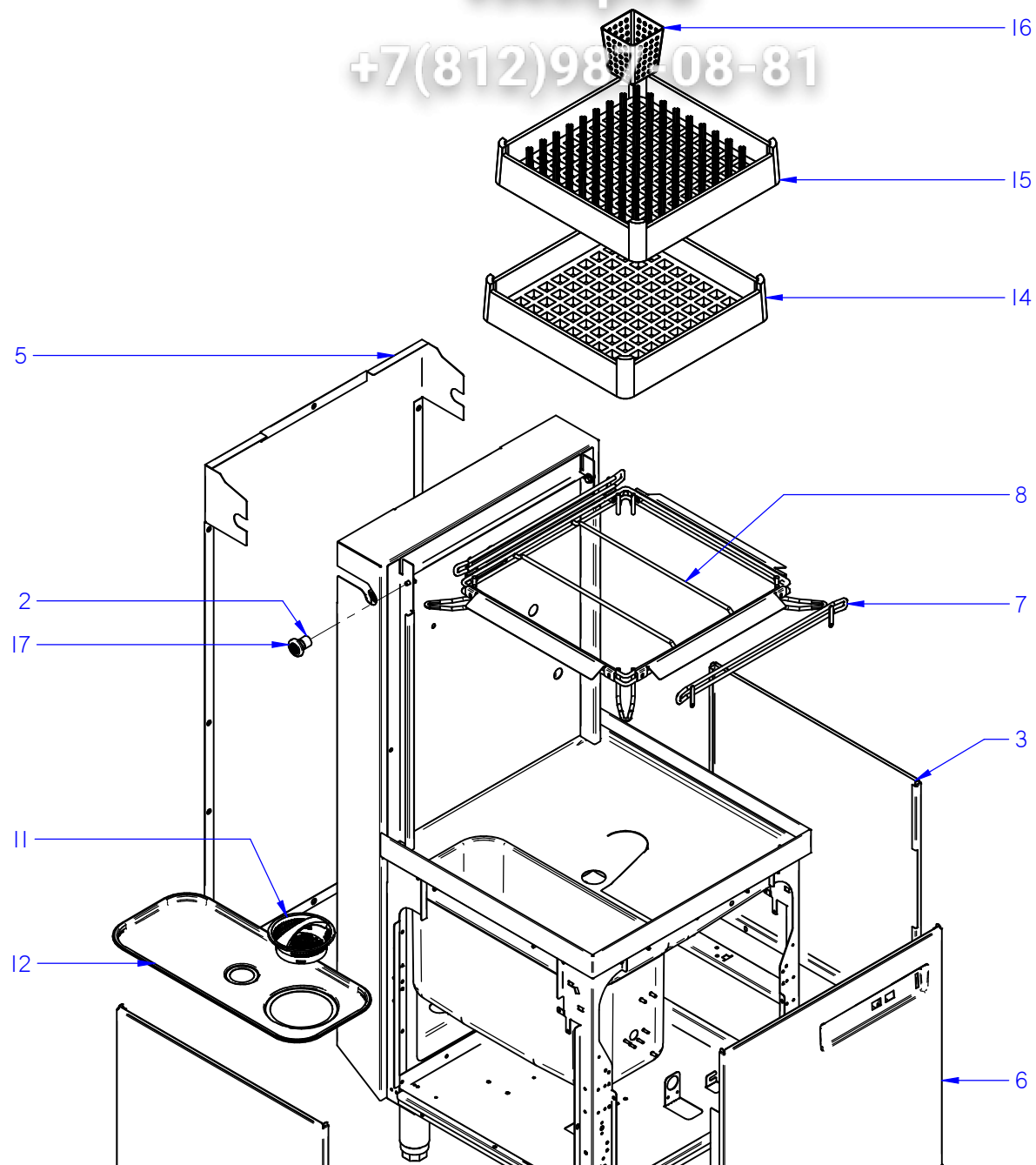
Revisado Julio 2015 July Revised



Зип Ощепит

vsezip.ru

+7(812)987-08-81



vsezip.ru

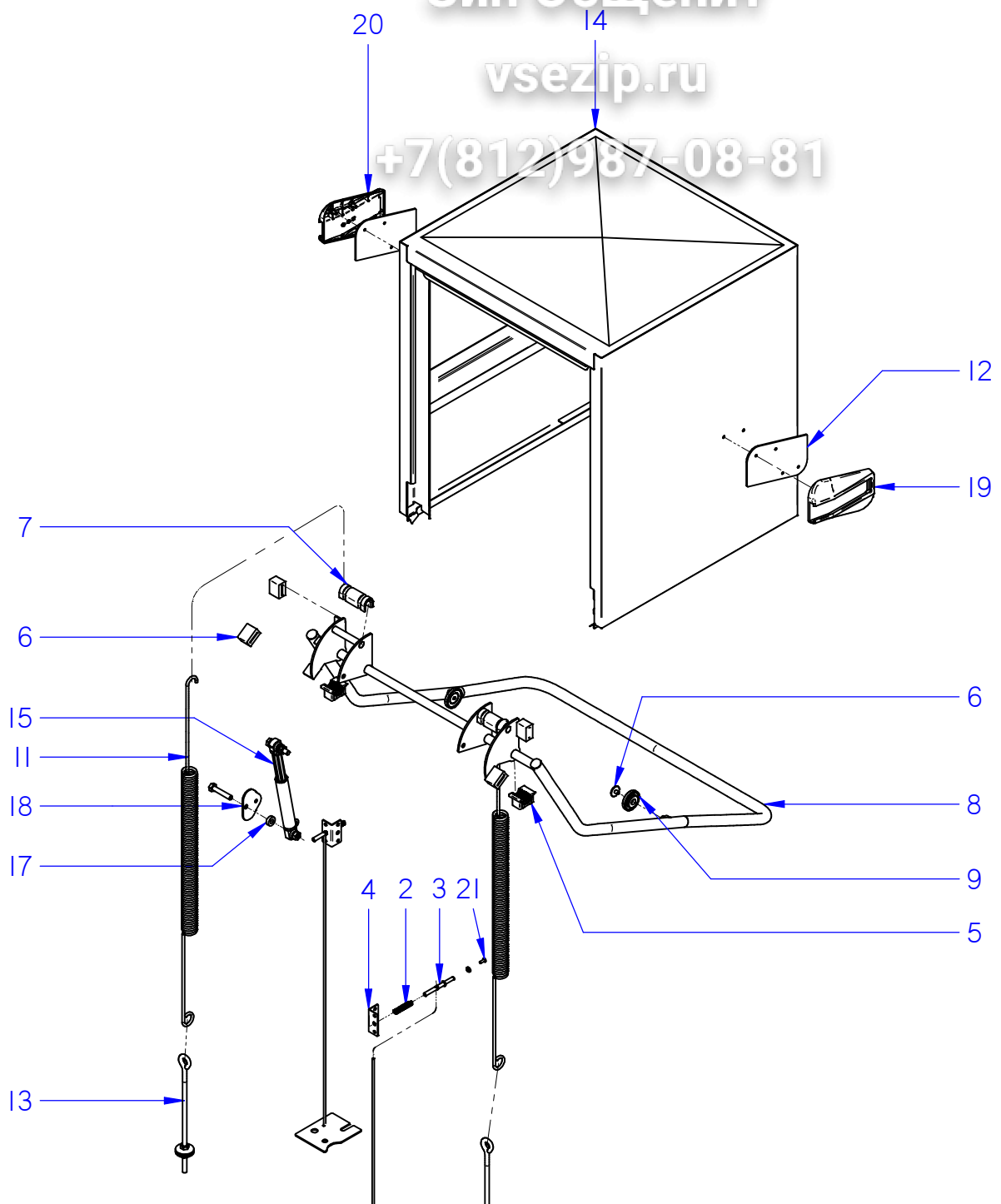
+7(812)987-08-81

ITEM	REFERENCIA REFERENCE	DENOMINACIÓN	DENOMINATION	CO-110072								RECOMMENDED	ELIMINADO ELIMINATED	INTRODUCIDO INTRODUCED	NOTAS / NOTES
1	12009104	PATAS REGULABLES	REGULABLE FEET	4											
2	12098018	CASQUILLO RODADURA	ROLLING BUSHING	2											
3	12120608	PANEL LATERAL DCHO	RIGHT SIDE PANEL	1											
4	12120609	PANEL LATERAL IZDO	LEFT SIDE PANEL	1											
5	12110635	PANEL POSTERIOR CAPOTA	RARE PANEL	1											
6	12119680	PANEL FRONT CONCEPT ELECTR.	ELECTR. CONCEPT FRONT PANEL	1											
7	12045900	TOPE BASE CESTILLO COMPLETO	COMPLETE BASKET BASE END	2											
8	12045909	BASE CESTILLO VARILLA COMPLETA	COMPLETE WIRE BASKET BASE	1											
9	12095220	TAPA CAJA CONEXIONES	CONNECTIONS BOX COVER	1											
10	12096947	JUNTA TAPA	COVER'S SEAL	1											
11	12048609	CESTILLO RECOGEDOR CONCEPT	CONCEPT DUSTPAN BASKET	1											
12	12047947	BANDEJA FILTRO CONCEPT	CONCEPT FILTER TRAY	1											
13	12103501	JUNTA EPDM CAJA CONEXIONES	CONNECTION BOX EPDM JOINT	1											
14	12025011	CESTILLO BASE CT-10	CT-10 BASE BASKET	1											
15	12102646	CESTILLO PLATOS CP-16-18	CP-16-18 PLATES BASKET	1											
16	12023745	CESTILLO CUBIERTOS	CUTLERY BASKET	2											
17	12047509	RODILLO ELEVACIÓN CAPÓ	HOOD ASCENT ROLLER	2											

Зип Общепит

vsezip.ru

+7(812)987-08-81



Зип Общепит

vsezip.ru

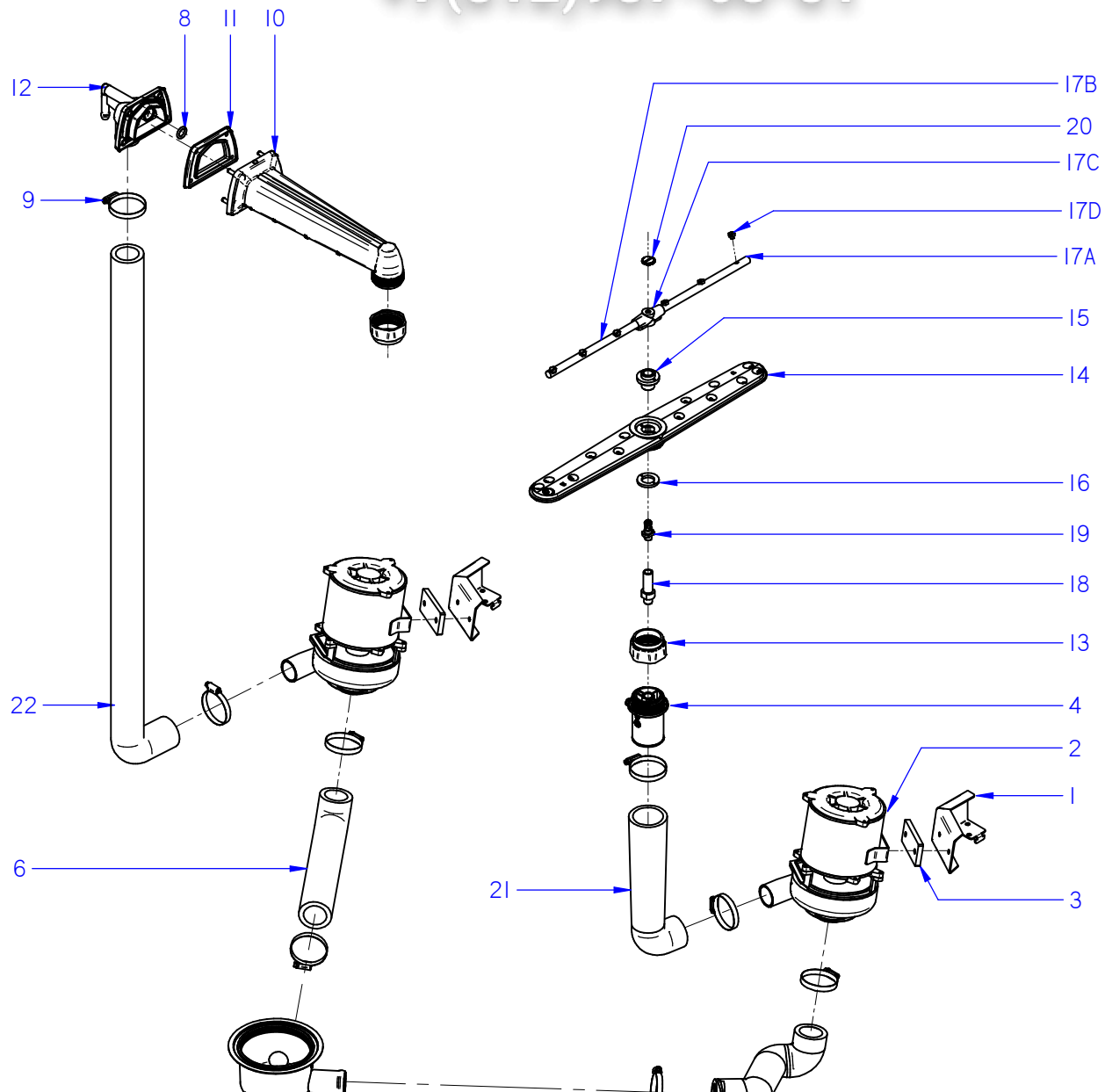
ZONA / ZONE	ASA-CAPOTA / HANDLE-HOOD	LÁMINA / DRAWING	C-3349	FAGOR 
-------------	--------------------------	------------------	--------	---

ITEM	REFERENCIA REFERENCE	DENOMINACIÓN	DENOMINATION	CO-116072									RECOMMENDED	ELIMINADO ELIMINATED	INTRODUCIDO INTRODUCED	NOTAS / NOTES
1	12096877	SOPORTE BLOQUEO SEGURIDAD	SECURITY LOCK SUPPORT	2												
2	12096881	VARILLA BLOQUEO SEGURIDAD	SECURITY LOCK ROD	2												
3	12096882	EJE BLOQUEO SEGURIDAD	SECURITY LOCK SHAFT	2												
4	12096883	TAPA BLOQUEO SEGURIDAD	SECURITY LOCK COVER	2												
5	12098128	SOPORTE DE GIRO EJE ASA	HANDLE AXIS ROD SUPPORT	2												
6	12047537	TOPE GOMA BIELA	CONNECTING ROD RUBBER END	4												
7	12096710	CASQUILLO APOYO MUELLE	SPRING SUPPORT BUSHING	2												
8	12098150	SISTEMA ELEVACION CAPOTA ADV.	HOOD ASCENT SYSTEM ADVANCE	1												
9	12098068	RODILLO ASA CAPOTA EVO	EVO HOOD HANDLE ROLLER	2												
10	12098073	TORNILLO RODILLO ASA EVO	HANDLE ROLLER SCREW	2												
11	12048836	MUELLE CAPOTA K7.5	HOOD SPRING K7.5	2												
12	12093162	JUNTA PLANA CARRIL	GUIDE'S PLANE SEAL	2												
13	12048915	GANCHO ROSCADO M10-L315	THREADED HOOK M10-L315	2												
14	12091140	CONJUNTO CAPO SIMPLE PARED	SIMPLE WALL HOOD ASSEMBLED	1												
15	12024980	AMORTIG. RD10FK 140N SUSPA	SHOCK ABSORVER RD10FK 140N	1												
16	12110409	MUELLE SIS. BLOQUEO CAPOTA	HOOD'S LOCK SYSTEM SPRING	2												
17	12025255	CASQUILLO RODANTE	ROLLING BUSHING	1												
18	12098217	SOPORTE AMORTIGUADOR	SHOCK ABSORVER SUPPORT	1												
19	12091573	CARRIL IZDO CAPOTA	HOOD'S LEFT GUIDE	1												
20	12091933	CARRIL DCHO CAPOTA	HOOD'S RIGHT GUIDE	1												
21	12010242	TORNILLO ESPECIAL M-5X13	SPECIAL SCREW M-5X13	2												

Зип Ощепит

vsezip.ru

+7(812)987-08-81



Зип Общепит

vsezip.ru

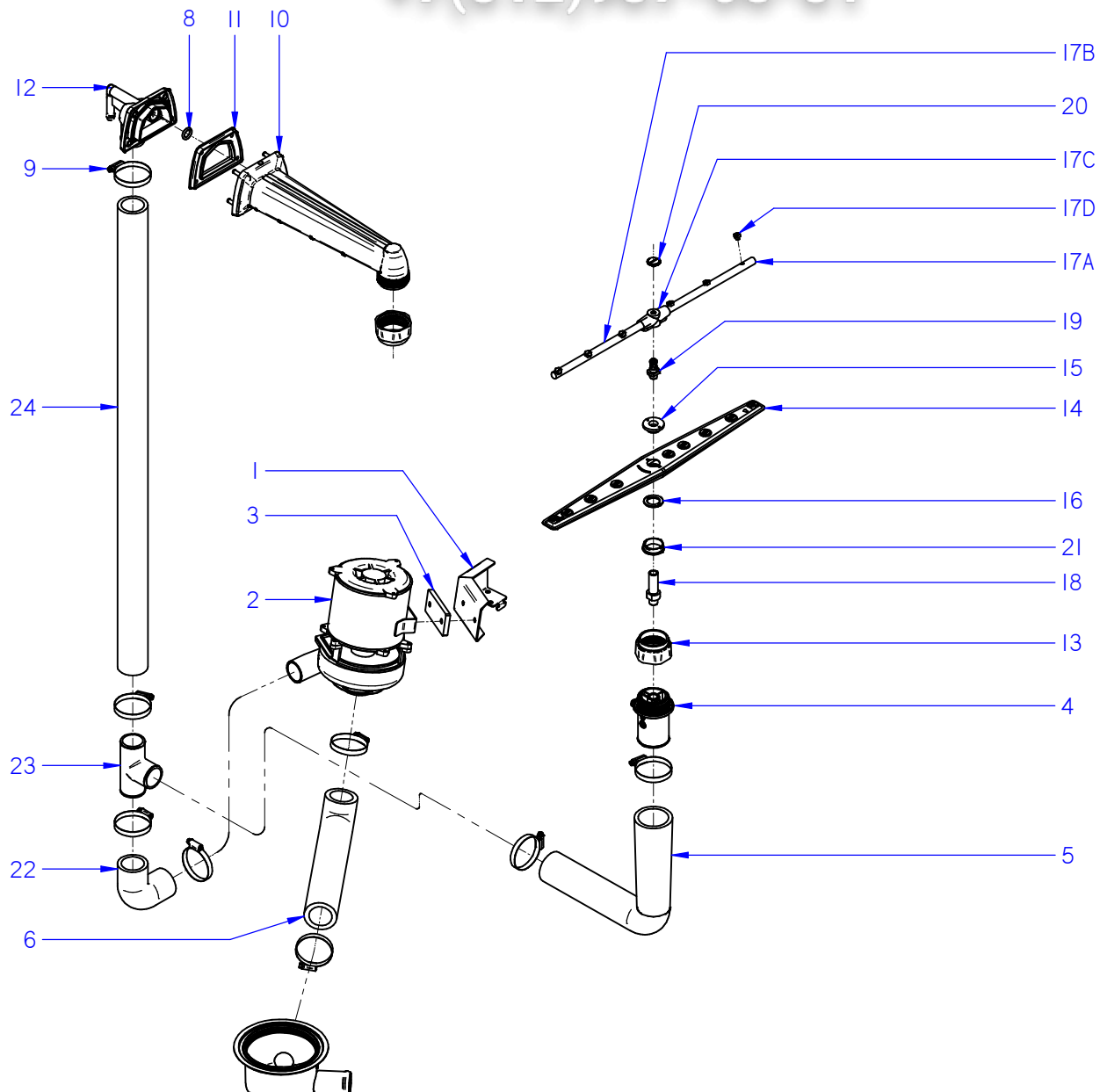
ZONA / ZONE	PARTE FUNCIONAL LAVADO / WASHING FUNCTIONAL PART	LÁMINA / DRAWING	C-3350	FAGOR 
-------------	--	------------------	--------	---

ITEM	REFERENCIA REFERENCE	DENOMINACIÓN	DENOMINATION	CO- 1/2									RECOMMENDED	ELIMINADO ELIMINATED	INTRODUCIDO INTRODUCED	NOTAS / NOTES
1	12046160	SOPORTE BOMBA LAVADO	WASHIG PUMP SUPPORT	2												
2	12043287	MOTOBOMBA 590KW 50Hz	WASHIG PUMP 590KW 50Hz	2									X			
2	12102834	MOTOBOMBA 590KW 60Hz	WASHIG PUMP 590KW 60Hz	2									X			
3	12023556	BASE BOMBA LAVADO 1003016	WASHIG PUMP BASE 1003016	2												
4	12047910	SOP. DISTRIBUIDOR INFERIOR	LOWER SPRY-ARM SUPPORT	1												
5	12047688	CONDUCTO ASPIRACION 2 BOMB.	2 PUMP SUCTION PIPE	1												
6	12046162	CONDUCTO ASPIRACION	SUCTION PIPE	1												
7	12024376	CONDENSADOR 10MF	10MF CONDENSER	2									X			
8	12049214	JUNTA TORICA ACLARADO 13.8-3.5	RINSING O-RING 13,8-3,5	1												
9	12009962	ABRAZADERA 40-60	40-60 CLAMP	8												
10	12048173	BRAZO LAVAD-ACLAR. CAPOTA	WASH-RINSE ARM	1												
11	12048366	JUNTA BRAZO LAVADO-ACLAR.	WASH-RINSE ARM'S SEAL	1												
12	12048367	CIERRE BRAZO LAVADO-ACLAR.	WASH-RINSE ARM'S CLOSURE	1												
13	12048171	ADAPTADOR RAMAS LAVADO 2 BOMB.	WASHING ARMS ADAPTER 2 PUMPS	2												
14	12003421	DISTRIBUIDOR COMPLETO	COMPLETE SPRY-ARM	2												
15	12025116	CASQUILLO DISTRIBUIDOR	SPRY-ARM'S BUSHING	2												
16	12023674	ARANDELA AMARRE	TIGHTEN UP WASHER	2												
17	12111791	DISTRIBUIDOR ACLARADO CONCEPT	CONCEPT RINSE SPRY-ARM	2												
17A	12113595	RAMA ACLARADO DCHA CONCEPT	CONCEPT RIGHT RINSING BRANCH	2												
17B	12113596	RAMA ACLARADO IZDA COMPLETA	CONCEPT LEFT RINSING BRANCH	2												
17C	12024470	SOPORTE RAMAS ACLARAD.COM	RINSING BRANCH SUPPORT	2												
17D	12024252	TOBERA ACLARADO	RINSING NOZZLE	12												
18	12112480	EJE LAVADO CAPOTA CONCEPT	WASHING SHAFT	2												
19	12113893	EJE ACLARADO CAPOTA CONCEPT	RINSING SHAFT CONCEPT	2												
20	12009829	TORNILLO ESPECIAL INOX M5X7MM	SPECIAL SCREW M5X7MM	2												
21	12047689	CODO IMPULSION COP110	COP110 EXPULSION ELBOW	1												
22	12047690	ARBOL LAVADO COP110 2 BOMBAS	COP110 2 PUMPS WASHING TREE	1												

Зип Ощепит

vsezip.ru


+7(812)987-08-81



Зип Общепит

vsezip.ru

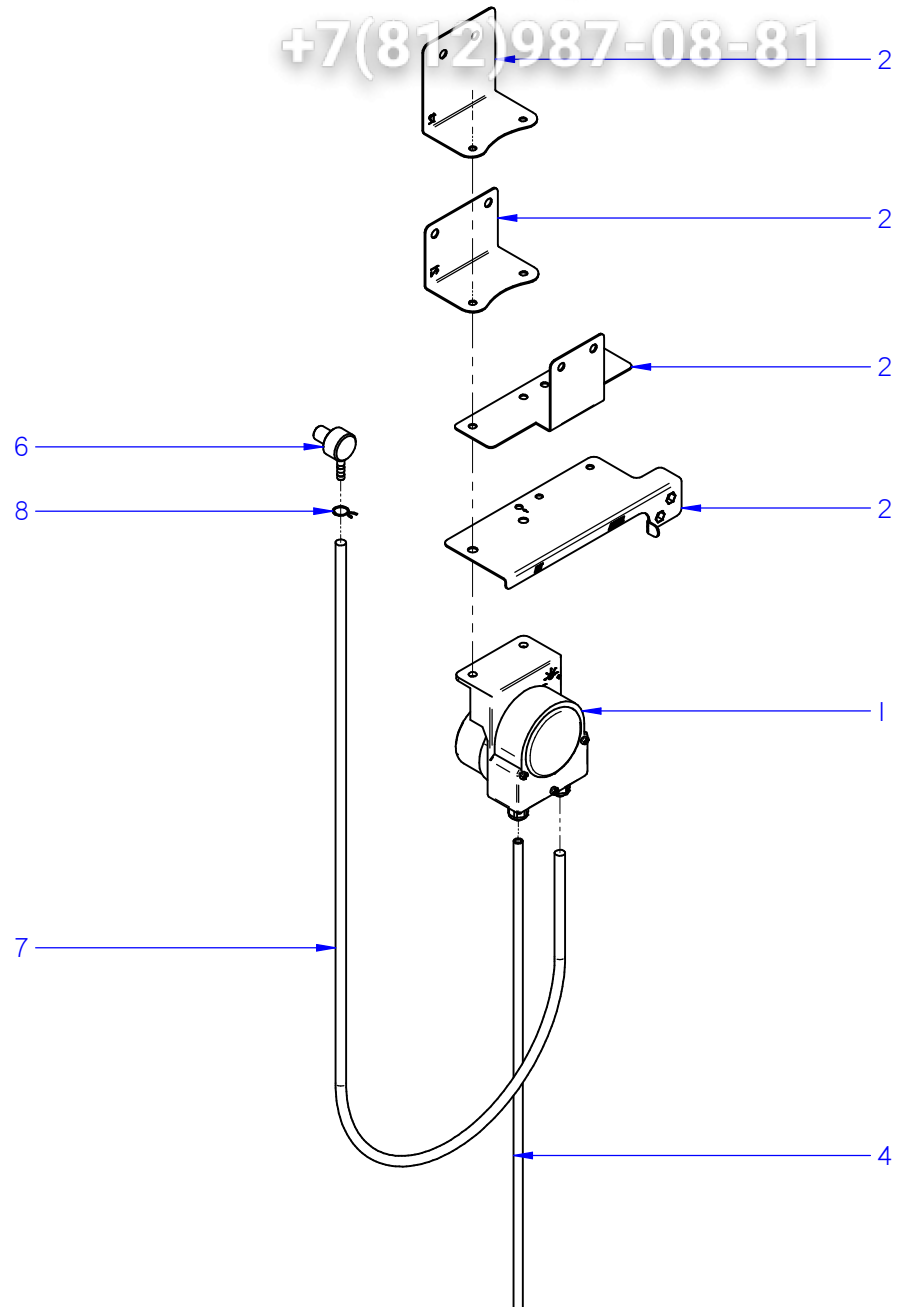
+7(812)987-08-81

ZONA / ZONE		PARTE FUNCIONAL LAVADO / WASHING FUNCTIONAL PART				LÁMINA / DRAWING		C-3351		FAGOR 		
ITEM	REFERENCIA REFERENCE	DENOMINACIÓN	DENOMINATION	CO- #					RECOMMENDED	ELIMINADO ELIMINATED	INTRODUCIDO INTRODUCED	NOTAS / NOTES
1	12046160	SOPORTE BOMBA LAVADO	WASHIG PUMP SUPPORT	1								
2	12043287	MOTOBOMBA 590KW 50Hz	WASHIG PUMP 590KW 50Hz	1					X			
2	12102834	MOTOBOMBA 590KW 60Hz	WASHIG PUMP 590KW 60Hz	1					X			
3	12023556	BASE BOMBA LAVADO 1003016	WASHIG PUMP BASE 1003016	1								
4	12047910	SOP. DISTRIBUIDOR INFERIOR	LOWER SPRY-ARM SUPPORT	1								
5	12045921	CONDUCTO IMPULSION ANTERIOR	FRONT EXPULSION PIPE	1								
6	12046162	CONDUCTO ASPIRACION	SUCTION PIPE	1								
7	12024376	CONDENSADOR 10MF	10MF CONDENSER	1					X			
8	12049214	JUNTA TORICA ACLARADO 13.8-3.5	RINSING O-RING 13,8-3,5	1								
9	12009962	ABRAZADERA 40-60	40-60 CLAMP	8								
10	12048173	BRAZO LAVAD-ACLAR. CAPOTA	WASH-RINSE ARM	1								
11	12048366	JUNTA BRAZO LAVADO-ACLAR.	WASH-RINSE ARM'S SEAL	1								
12	12048367	CIERRE BRAZO LAVADO-ACLAR.	WASH-RINSE ARM'S CLOSURE	1								
13	12048172	ADAPTADOR RAMAS LAVADO 1 BOMB.	WASHING ARMS ADAPTER 1 PUMP	2								
14	12025122	DISTRIBUIDOR COMPLETO	COMPLETE SPRY-ARM	2								
15	12110631	ENGANCHE DISTRIBUIDOR LATON	SPRY-ARM'S BUSHING	2								
16	12024289	AMARRE ENGANCHE DISTRIBUI	TIGHTEN UP WASHER	2								
17	12111791	DISTRIBUIDOR ACLARADO CONCEPT	CONCEPT RINSE SPRY-ARM	2								
17A	12113595	RAMA ACLARADO DCHA CONCEPT	CONCEPT RIGHT RINSING BRANCH	2								
17B	12113596	RAMA ACLARADO IZDA COMPLETA	CONCEPT LEFT RINSING BRANCH	2								
17C	12024470	SOPORTE RAMAS ACLARAD.COM	RINSING BRANCH SUPPORT	2								
17D	12024252	TOBERA ACLARADO	RINSING NOZZLE	12								
18	12112480	EJE LAVADO CAPOTA CONCEPT	WASHING SHAFT	2								
19	12113893	EJE ACLARADO CAPOTA CONCEPT	RINSING SHAFT CONCEPT	2								
20	12009829	TORNILLO ESPECIAL INOX M5X7MM	SPECIAL SCREW M5X7MM	2								
21	12041629	PROTECTOR FUGAS	LEAKAGE PROTECTOR	2								
22	12047655	CODO IMPULSION CO90	CO90 EXPULSION ELBOW	1								
23	12023558	"T" IMPULSION DE PLASTICO	PLASTIC EXPULSION "T"	1								
24	12045979	ARBOL LAVADO 1 BOMBA	1 PUMP WASHING TREE	1								

Зип Общепит

vsezip.ru

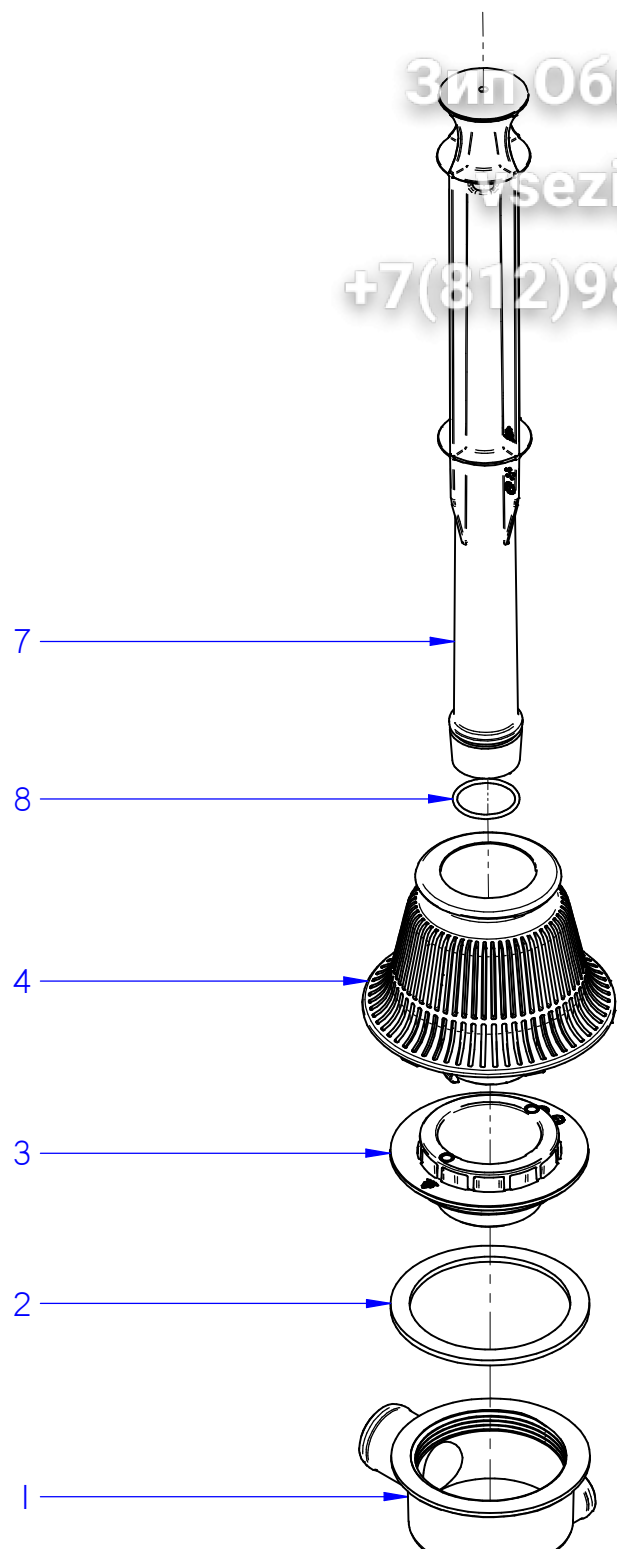
+7(812)987-08-81



Зип Общепит

tsezip.ru

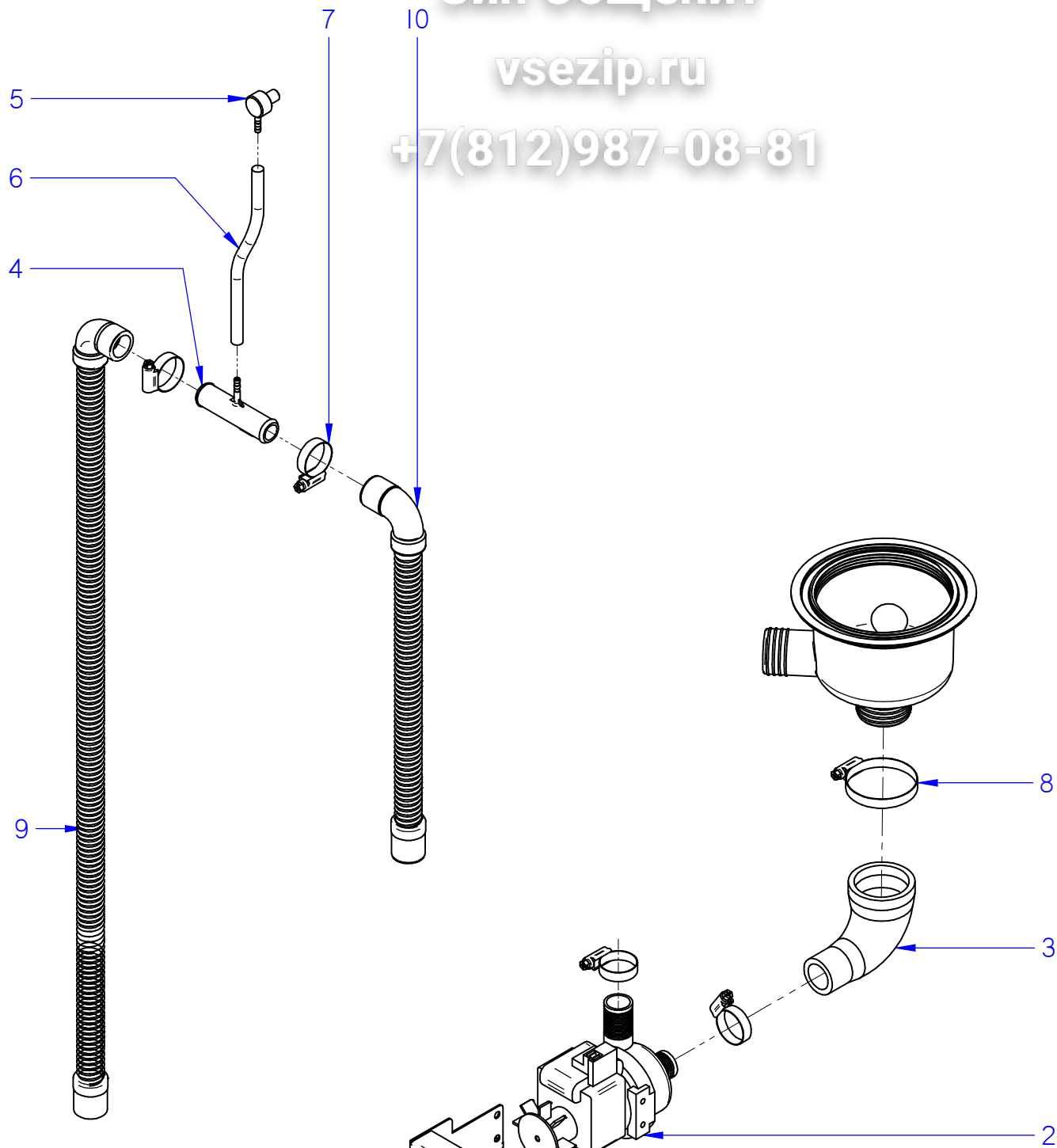
+7(812)987-08-81



Зип Ощепит

vsezip.ru

+7(812)987-08-81



Зип Общепит

vsezip.ru

+7(812)987-08-31

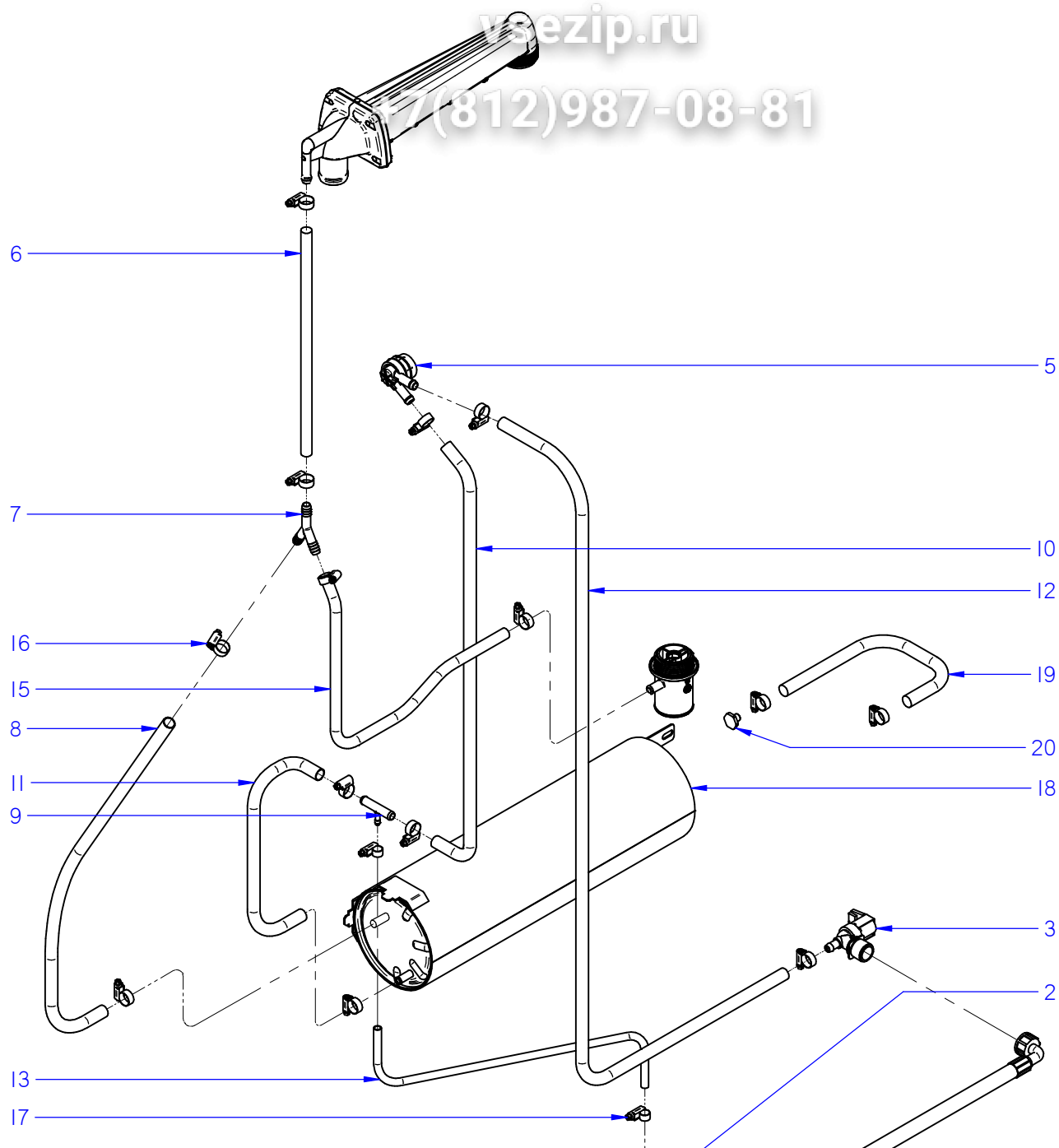
ZONA / ZONE	KIT BOMBA DESAGÜE / DRAINING PUMP KIT	LÁMINA / DRAWING	C-3354	FAGOR 
-------------	---------------------------------------	------------------	--------	---

ITEM	REFERENCIA REFERENCE	DENOMINACIÓN	DENOMINATION	CO-112072 B								RECOMMENDED	ELIMINADO ELIMINATED	INTRODUCIDO INTRODUCED	NOTAS / NOTES
	19022349	KIT BOMBA DESAGÜE CONCEPT	CONCEPT DRAINING PUMP KIT												
1	12096889	SOPORTE BOMBA CONCEPT	DRAINING PUMP'S SUPPORT	1											
2	12023456	BOMBA DESAGUE	DRAINING PUMP	1								X			
3	12049606	CODO BOMBA DESAGÜE	DRAINING PUMP'S ELBOW	1											
4	12041519	EMPALME DESAGÜE	DRAINING JOINT	1											
5	12024531	INYECTOR DETERGENTE INOX	DETERGENT INJECTOR	1											
6	11000083	TUBO GOMA NEGRA D 17x10	D 17x10 BLACK RUBBER PIPE	1											
7	12010023	ABRAZADERA 20-32	20-32 CLAMP	4											
8	12009962	ABRAZADERA 40-60	40-60 CLAMP	1											
9	12041934	MANGUERA DESAGÜE	DRAINING PIPE	1								X			
10	12041936	MANGUERA DESAGÜE	DRAINING PIPE	1											

Зип Ощепит

vsezip.ru

7(812)987-08-81



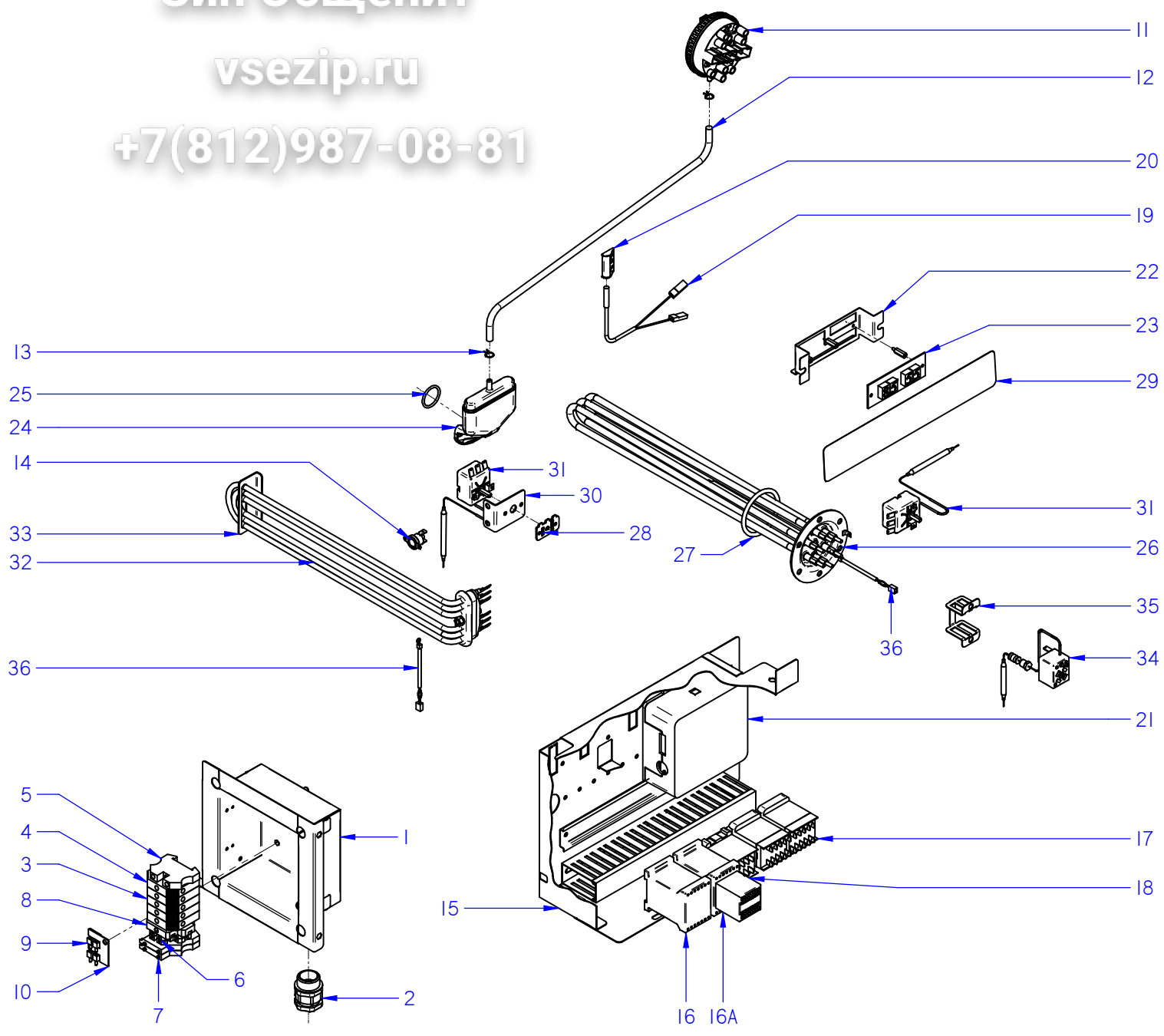
Зип Общепит

vsezip.ru

ZONA / ZONE	PARTE FUNCIONAL ACLARADO / FUNCTIONAL RINSE PART	LÁMINA / DRAWING	C-3355	FAGOR 
-------------	--	------------------	--------	---

ITEM	REFERENCIA REFERENCE	DENOMINACIÓN	DENOMINATION	CO-11672								RECOMMENDED	ELIMINADO ELIMINATED	INTRODUCIDO INTRODUCED	NOTAS / NOTES
1	12045206	DOSIFICADOR ABRILL. AQUA	AQUA RINSE AID DISPENSER	1											
2	12092111	SOPORTE DOSIF. ABRILLANTADOR	RINSE-AID DISPENSER SUPPORT	1											
3	12095427	E.V SIMPLE 220V SALIDA A 90º	SIMPLE E.V 90º EXIT	1								X			
4	12024115	MANGUERA ENTRADA AGUA	WATER SUPPLY HOSE	1											
5	12024568	VALVULA ANTIRRETORNO	NON-RETURN VALVE	1								X			
6	11000083	TUBO GOMA NEGRA D 17x10	BLACK RUBBER PIPE D 17x10	1											
7	12023511	RACORD EN Y	Y FITTING	1											
8	11000083	TUBO GOMA NEGRA D 17x10	BLACK RUBBER PIPE D 17x10	1											
9	12025288	TOMA PRESION	PRESSURE FITTING	1											
10	11000083	TUBO GOMA NEGRA D 17x10	BLACK RUBBER PIPE D 17x10	1											
11	11000083	TUBO GOMA NEGRA D 17x10	BLACK RUBBER PIPE D 17x10	1											
12	11000083	TUBO GOMA NEGRA D 17x10	BLACK RUBBER PIPE D 17x10	1											
13	11000070	TUBO GOMA NEGRO D 10,5*5	BLACK RUBBER PIPE D 10,5*5	1											
14	12024139	CONDUCTO ASPIRACIÓN AZKOY CO	AZKOY SUCTION PIPE	1											
15	11000083	TUBO GOMA NEGRA D 17x10	BLACK RUBBER PIPE D 17x10	1											
16	12010036	ABRAZADERA 12-20	12-20 CLAMP	10											
17	12010047	ABRAZADERA 8-14L	8-14L CLAMP	2											
18	12097081	CALDERIN CONCEPT SOLDADO	CONCEPT BOILER WELDED	1											
S/N	12128156	AMARRE CALDERIN DELANT. PROV.	PROVISSIONAL FRONT BOILER FIX.	1											ANTERIOR A / BEFORE 07-2015
S/N	12128157	AMARRE CALDERIN TRAS. PROVIS.	PROVISSIONAL REAR BOILER FIXING	1											ANTERIOR A / BEFORE 07-2015
19	11000083	TUBO GOMA NEGRA D 17x10	BLACK RUBBER PIPE D 17x10	1											
20	12041528	Tapon M10x1.5	M10x1.5 CAP	1											

Зип Общепит
 vsezip.ru
 +7(812)987-08-81



ITEM MARCADO EN COLOR = REPUESTO RECOMENDADO
 COLOURED ITEM = RECOMMENDED SPARE PART

N plano / Drawing N.	С-3356
Firma / Signature	Иван Р.
Fecha / Date	03-2015
Aparato / Appliance	LAVAVAJILLAS CO-112-172 DISHWASHER
CONJUNTO ELECTRICO / ELECTRICAL PART	
Lamina / Sheet	9
Opote	Fagor Industrial S. Coop. FAGOR

Зип Общепит

ZONA / ZONE **CONJUNTO ELECTRICO / ELECTRICAL PART**

LÁMINA / DRAWING

C-3356



vsezip.ru


+7(812)987-08-81

ITEM	REFERENCIA REFERENCE	DENOMINACIÓN	DENOMINATION	CO-112	CO-172							RECOMMENDED	ELIMINADO ELIMINATED	INTRODUCIDO INTRODUCED	NOTAS / NOTES
1	12120601	BASE CAJA CONEXIONES	CONNECTIONS BOX BASE	1	1										
2	12009927	PRENSA ESTOPAS PG-21	PG-21 CABLE GLAND	1	1										
3	12023373	BORNES 10 WDU-10203.O	10 WDU-10203.O TERMINAL	3	3										
4	12025224	BORNA DE PASO AZUL	BLUE TERMINAL	2	2										
5	12024743	BORNE TIER 10 WPE-10103.O	EARTH TERMINAL	1	1										
6	12025180	REGLETA BORNAJE 2 PISOS	2 LEVEL CONNECTION STRIP	2	2										
7	12025158	BORNAS PORTA FUSIBLES	FUSE HOLDER TERMINALS	2	2										
8	12024199	TOPE FINAL	FINAL END	1	1										
9	12103361	CONECTOR 2 VIAS 10mm 57A	2 WAY CONNECTOR 57A	3	3										
10	12103535	SOP. CONECTORES 2 VIAS	2 WAY CONNECTOR'S SUPP.	1	1										
11	12093675	PRESOSTAT. DOBLE 125/20-190/165	125/20-190/165 PRESSURE SWITCH	1	1							X			
12	11000066	TUBO GOMA NEGRO D 8x4	D 8x4 BLACK RUBBER PIPE	1	1										
13	12023707	BRIDA ELASTICA TUBO	ELASTIC CLAMP FOR PIPES	2	2										
14	12096597	TERM. SEG. 261B 110°C FAST 90	SEC. THERM. 261B 110°C FAST 90	1	1							X			
15	12047752	BASE CUADRO ELECTRICO	ELECTRIAL PANEL'S BASE	1	1										
16	12111795	CONTACTOR 230V 4VIAS UL	230V 4WAY UL CONTACTOR	2	-							X			
16	12024040	CONTACTOR 230V 4VIAS UL	230V 4WAY UL CONTACTOR	-	2							X			
16A	12123408	KIT CONTACTOR AUXILIAR 400V UL	KIT AUXILIARY CONTACTOR 400V UL	-	1							X			
17	12024011	CONTACTOR 16A 4VIA UL	16A 4VIA CONTACTOR UL	1	2							X			
18	12024012	CONTACTOR 16A 4VIA UL	16A 4VIA CONTACTOR UL	1	1							X			
19	12024477	INTERRUPTOR MAGNETICO	MAGNETIC SWITCH	1	1							X			
20	12024066	AMARRE INTERRUPTOR MAGNETICO	MAGNETIC SWITCH'S SUPPORT	1	1										
21	12008750	CONTROL TARJETA 5 REL. AC 50/60	5 REL. AC 50/60 CONTROL CARD	1	1							X			
22	12022219	SOPORTE COMPO. AD AF-LVS	COMPONENTS SUPPORT AD AF-LVS	1	1										
23	12024028	VISUALIZADOR 12V DC 4DIG. 7SEG.	12V DC 4DIG. 7SEG. DISPLAY	1	1							X			
24	12093146	CAMPANA TANQUE	TUB'S PRESSURE CHAMBER	1	1							X			
25	12093145	JUNTA TORICA CAMPANA	PRESSURE CHAMBER'S O-RING	1	1										
26	12024732	RESISTENCIA CALDERIN COMPLETA	COMPLETE BOILER RESISTOR	1	-							X			
26	12024146	RESISTENCIA CALDERIN COMPLETA	COMPLETE BOILER RESISTOR	-	1							X			
27	12010051	JUNTA TÓRICA RESIS. CALDERIN	BOILER RESISTOR'S O-RING	1	1							X			
28	12044848	REGULADOR A 60°C Tt DE 85°C	60°C Tt DE 85°C REGULATOR	1	1										
29	12119109	EMBELLECEDOR CO-112-172	CO-112-172 STICKER	1	1							X			

Зип Общепит

vsezip.ru

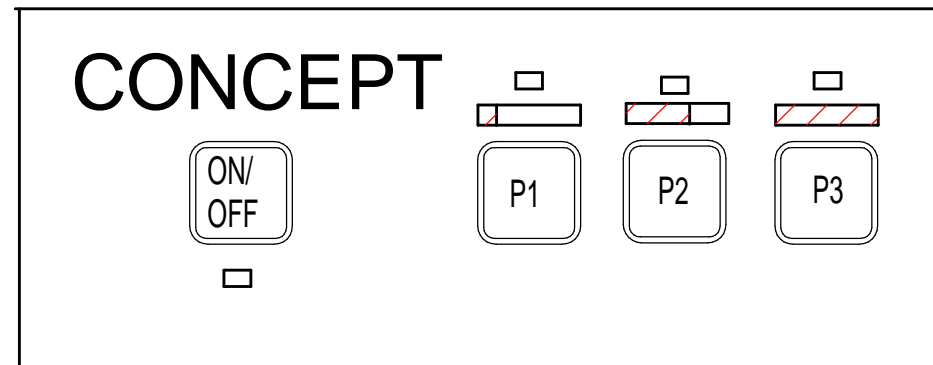
+7(812)987-08-81

ZONA / ZONE		RECOMENDADOS / RECOMMENDED								LÁMINA / DRAWING				FAGOR 	
ITEM	REFERENCIA REFERENCE	DENOMINACIÓN	DENOMINATION	CO-112	CO-112 DD	CO-112 B	CO-112 B DD	CO-172	CO-172 DD	CO-172 B	CO-172 B DD	ELIMINADO ELIMINATED	INTRODUCIDO INTRODUCED	NOTAS / NOTES	
2	12043287	MOTOBOMBA 590KW 50Hz	WASHIG PUMP 590KW 50Hz	1	1	1	1	2	2	2	2			C-3351	
2	12102834	MOTOBOMBA 590KW 60Hz	WASHIG PUMP 590KW 60Hz	1	1	1	1	2	2	2	2			C-3351	
7	12024376	CONDENSADOR 10MF	10MF CONDENSER	1	1	1	1	2	2	2	2			C-3351	
1	12024216	DOSIF. DGTE REGULABLE G300	DETERG. REGUL. DISPENSER	-	1	-	1	-	1	-	1			C-3352	
5	12024473	MANGUERA DESAGÜE	DRAINING PIPE	1	1	-	-	1	1	-	-			C-3353	
2	12023456	BOMBA DESAGUE	DRAINING PUMP	-	-	1	1	-	-	1	1			C-3354	
9	12041934	MANGUERA DESAGÜE	DRAINING PIPE	-	-	1	1	-	-	1	1			C-3354	
1	12045206	DOSIFICADOR ABRILL. AQUA	AQUA RINSE AID DISPENSER	1	1	1	1	1	1	1	1			C-3355	
3	12095427	E.V SIMPLE 220V SALIDA A 90º	SIMPLE E.V 90º EXIT	1	1	1	1	1	1	1	1			C-3355	
5	12024568	VALVULA ANTIRRETORNO	NON-RETURN VALVE	1	1	1	1	1	1	1	1			C-3355	
11	12093675	PRESOSTAT. DOBLE 125/20-190/165	125/20-190/165 PRESSURE SWITCH	1	1	1	1	1	1	1	1			C-3356	
14	12096597	TERM. SEG. 261B 110ºC FAST 90	SEC. THERM. 261B 110ºC FAST 90	1	1	1	1	1	1	1	1			C-3356	
16	12111795	CONTACTOR 230V 4VIAS UL	230V 4WAY UL CONTACTOR	2	2	2	2	-	-	-	-			C-3356	
16	12024040	CONTACTOR 230V 4VIAS UL	230V 4WAY UL CONTACTOR	-	-	-	-	2	2	2	2			C-3356	
16A	12123408	KIT CONTACTOR AUXILIAR 400V UL	KIT AUXILIARY CONTACTOR 400V UL	-	-	-	-	1	1	1	1			C-3356	
17	12024011	CONTACTOR 16A 4VIA UL	16A 4VIA CONTACTOR UL	1	1	1	1	2	2	2	2			C-3356	
18	12024012	CONTACTOR 16A 4VIA UL	16A 4VIA CONTACTOR UL	1	1	1	1	1	1	1	1			C-3356	
19	12024477	INTERRUPTOR MAGNETICO	MAGNETIC SWITCH	1	1	1	1	1	1	1	1			C-3356	
21	12008750	CONTROL TARJETA 5 REL. AC 50/60	5 REL. AC 50/60 CONTROL CARD	1	1	1	1	1	1	1	1			C-3356	
23	12024028	VISUALIZADOR 12V DC 4DIG. 7SEG.	12V DC 4DIG. 7SEG. DISPLAY	1	1	1	1	1	1	1	1			C-3356	
24	12093146	CAMPANA TANQUE	TUB'S PRESSURE CHAMBER	1	1	1	1	1	1	1	1			C-3356	
26	12024732	RESISTENCIA CALDERIN COMPLETA	COMPLETE BOILER RESISTOR	1	1	1	1	-	-	-	-			C-3356	
26	12024146	RESISTENCIA CALDERIN COMPLETA	COMPLETE BOILER RESISTOR	-	-	-	-	1	1	1	1			C-3356	
27	12010051	JUNTA TÓRICA RESIS. CALDERIN	BOILER RESISTOR'S O-RING	1	1	1	1	1	1	1	1			C-3356	
29	12119109	EMBELLECEDOR CO-112-172	CO-112-172 STICKER	1	1	1	1	1	1	1	1			C-3356	
31	12040858	TERMOSTATO 16A 85ºC 6MM	THERMOSTAT 16A 85ºC 6MM	2	2	2	2	2	2	2	2			C-3356	
32	12045886	RESISTENCIA 4,5KW TRIPLE	TRIPLE RESISTOR 4,5KW	1	1	1	1	1	1	1	1			C-3356	
34	12023830	LIMITADOR TECASA 125ºC	TECASA THERMOSTAT 125ºC	1	1	1	1	1	1	1	1			C-3356	

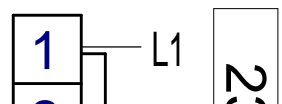
Зип Общепит

①		12120045
②		12115668
②	W	12114419
④	HRS	12119239
Prensa estopas		12009927
Esquema teorico		12103187
Indicador de componentes		12022162
Leyenda		12103338

usezip.ru
+7(812)987-08-81



CO 172, COP 174



RC, RT
ALTERNATING

CO-502, COP-504 vsezip.ru

CO 112, 172, C

+7(812)937-0831

