



Зип Общеделни TAVOLA RICAMBI SPARE PARTS

ppn-ppf-lcn-lcf10-18m
0

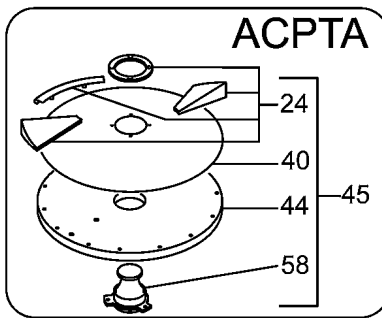
SPEC.	N.	CODE	DENOMINAZIONE - DENOMINATION	PRICE
	1	36G6590	Albero - Shaft	€ 24.00
ø28xø42x7	2	SL3943	Paraolio - Oil seal	€ 4.00
	3	3150830	Fascetta - Washer	€ 3.00
6302 2RS	4	360090	Cuscinetto - Bearing	€ 9.00
	5	36G5950	Boccola - Bush	€ 2.00
	6	3600870	Fondo - Bottom	€ 47.00
	7	3151750	Anello - Ring	€ 13.00
	8	36G6600	Puleggia - Pulley	€ 12.00
Poly V-559 j12	* 9	36G6610	Cinghia - Belt	€ 10.00
(LCN-LCF10-18)	10	36G0030	Puleggia - Pulley	€ 7.00
(PPN-PPF10-18)	10	36G6620	Puleggia - Pulley	€ 12.00
	11	35V1230	Staffa - Bracket	€ 19.00
5x5x20	12	SL0010	Linguetta - Key	
400V/3Ph/50Hz (2 speed - PPN-PPF18) 01/01/05 f.p.(*)	13	32M4050	Motore - Motor	
400V/3Ph/50Hz (2 speed - PPN-PPF10) 01/01/05 f.p.(*)	13	32M4080	Motore - Motor	
400V/3Ph/50Hz (PPN-PPF10)	13	SL0040	Motore - Motor	€ 140.00
230V/1Ph/50Hz (PPN-PPF10)	13	SL0041	Motore - Motor	€ 176.00
400V/3Ph/50Hz (PPN-PPF18)	13	SL1041	Motore - Motor	€ 150.00
230V/1Ph/50Hz (PPN-PPF18)	13	SL1042	Motore - Motor	€ 189.00
400V/3Ph/50Hz (LCN-LCF10)	13	SL1521	Motore - Motor	€ 147.00
400V/3Ph/50Hz (LCN-LCF18)	13	SL1522	Motore - Motor	€ 255.00
230V/1Ph/50Hz (LCN-LCF10)	13	SL1523	Motore - Motor	€ 189.00
230V/1Ph/50Hz (LCN-LCF18)	13	SL1524	Motore - Motor	€ 312.00
ø88÷ø96	14	3140460	Fascetta - Clip	€ 6.00
ø90 (PPF-LCF)	15	35X1150	Tubo - Pipe	€ 15.00
ø90 (PPN-LCN)	15	SL2721	Tubo - Pipe	€ 9.00
Assembly	16	SA1064	Fondo - Bottom	€ 80.00
"3/4" F-F "	17	33M0010	Tubo - Pipe	€ 7.00
"230V/50-60Hz 3/4" M"	18	33D1371	Elettrovalvola - Electro-valve	€ 9.00
01/01/04 f.p.(*)	19	32D0360	Pressacavo - Cable clamp	
PG13,5	19	SL1757	Pressacavo - Cable clamp	€ 2.00
PG21	20	32D1090	Pressaguaina - Sheathing clamp	
01/01/04 f.p.(*)	21	35Q8620	Piastra - Plate	
	21	SL2939	Piastra - Plate	€ 14.00
ø42	22	SL2056	Seeger - Seeger	€ 1.00
01/01/04 f.p.(*)	23	35V8601	Divisorio - Dividing head	€ 13.00
	23	SL2785R0	Piastra - Plate	€ 15.00
28/01/08 f.p.(*)	24	SA3450	Kit disco - Disk set	

*Ricambio consigliato - Advised spare parts

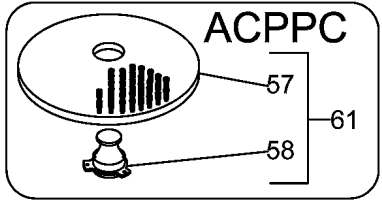
Зип Общепит

vsezip.ru

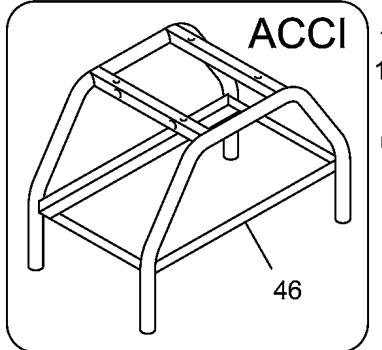
+7(812)987-68-81



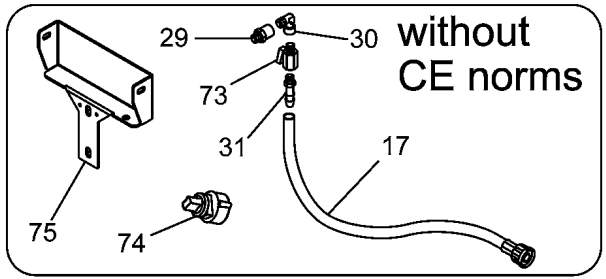
ACPTA



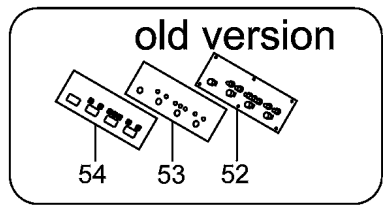
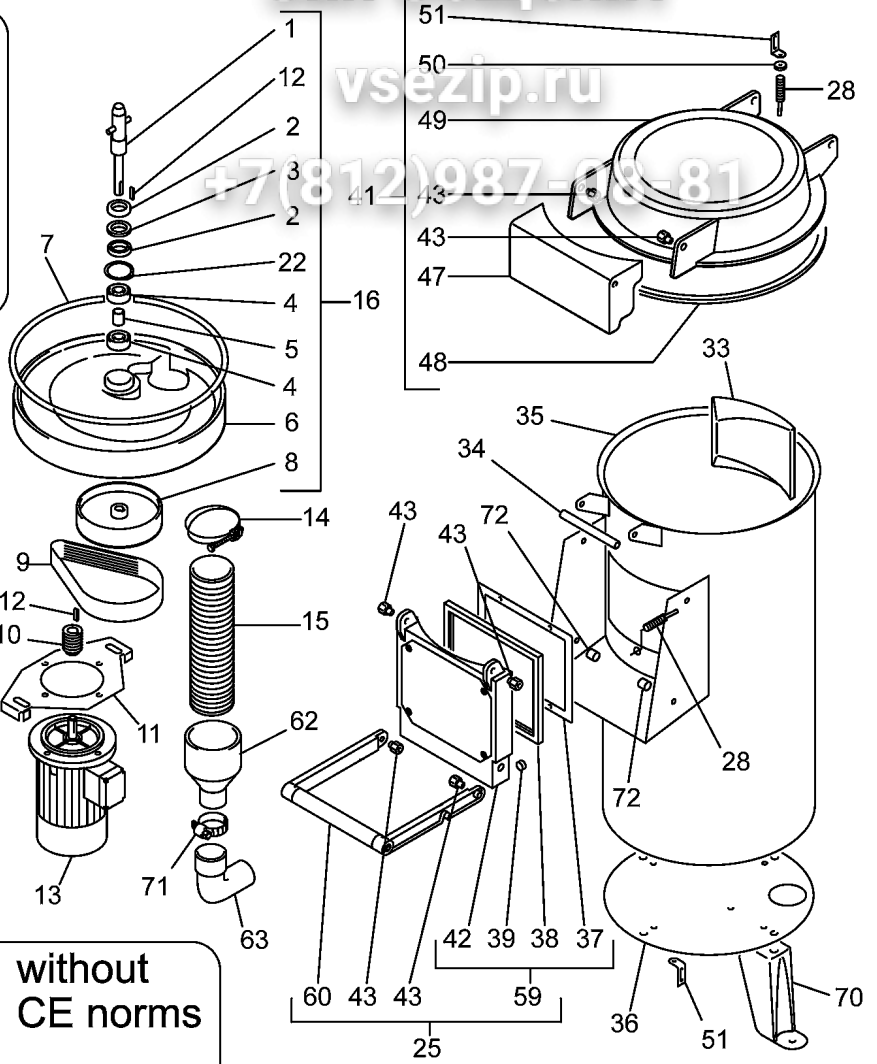
ACPPC



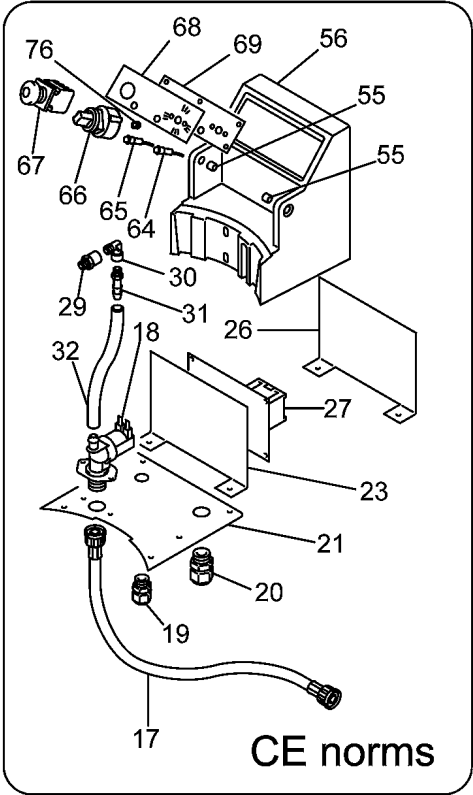
ACCI



without CE norms



old version



CE norms

POS.	CODE
1	36G6590
2	SL3943
3	3190830
4	36F0090
5	36G5950
6	3600870
7	3151750
8	36G6600
9	36G6610
10	36G0030
10	36G6620
11	35V1230
12	SL0010
13	32M4050
13	32M4080
13	SL0040
13	SL0041
13	SL1041
13	SL1042
13	SL1521
13	SL1522
13	SL1523
13	SL1524
14	3140460
15	35X1150
15	SL2721
17	SA1064
17	33M0010
18	33D1371
19	32D0360
19	SL1757
20	32D1090
21	35Q8620
21	SL2939
22	SL2056
23	35V8601
23	SL2785R0
24	SA3450



TAVOLA RICAMBI
SPARE PARTS

ppn-ppf-lcn-lcf10-18m

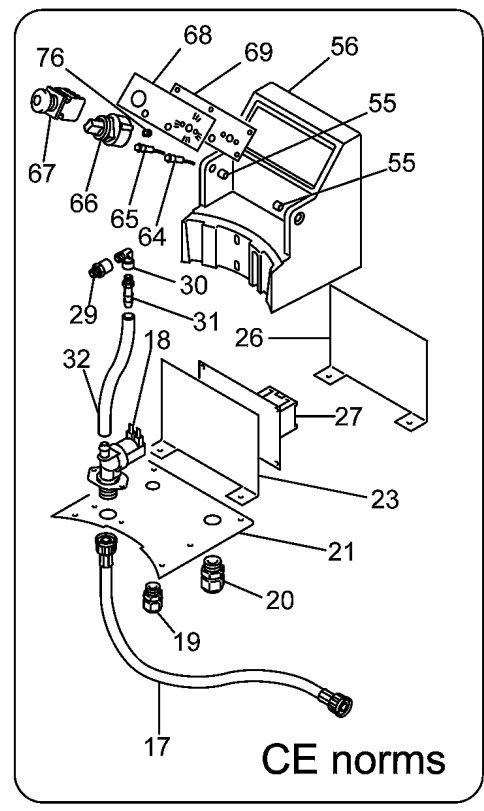
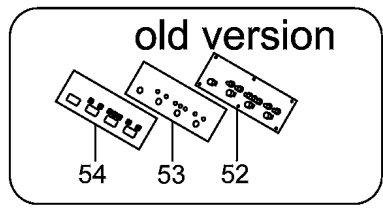
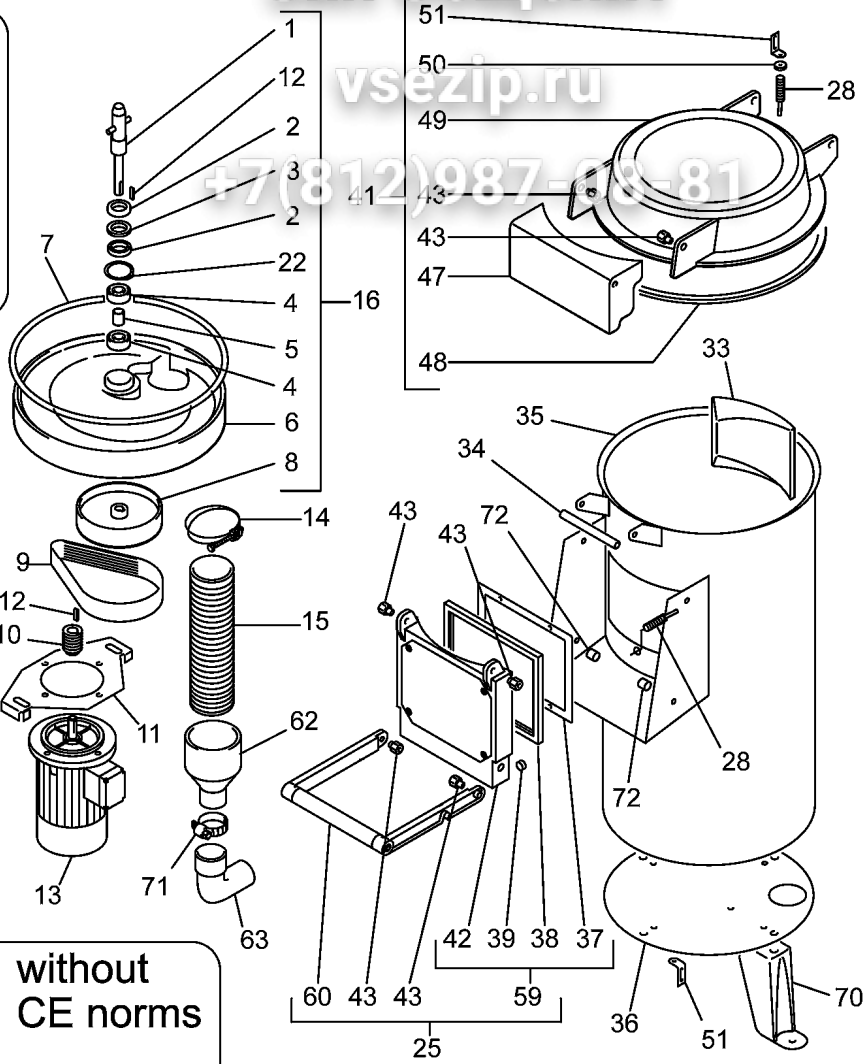
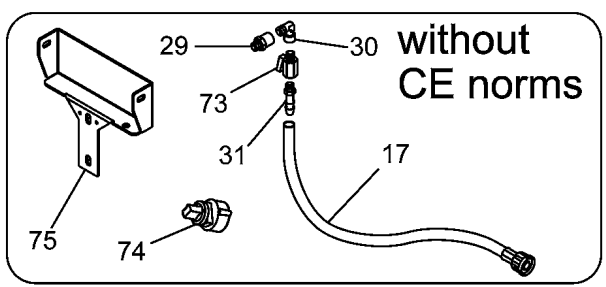
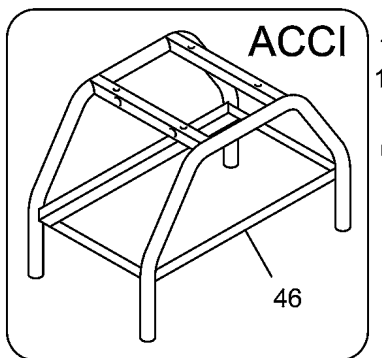
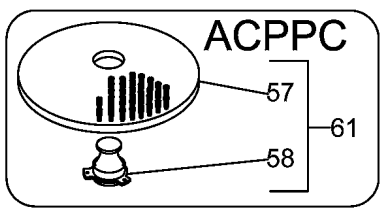
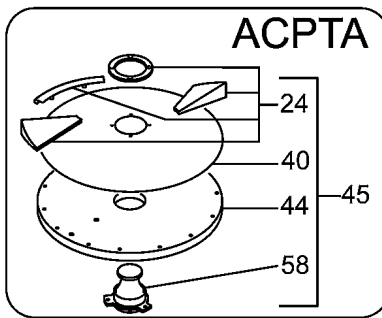
SPEC.	N.	CODE	DENOMINAZIONE - DENOMINATION	PRICE
plastic (PTA)	24	SA3460	Kit disco - Disk set	€ 21.00
Assembly	25	SA1072	Sportello - Door	€ 49.00
	26	35W3840	Copertura - Covering	€ 14.00
01/01/04 f.p.(*)	27	32_48_40	Teleruttore - Remote control switch	€ 24.00
230V/400V-50/60Hz	* 27	SL2921	Scheda elettronica - Electronic card	€ 37.00
110V 60Hz	* 27	SL4338	Scheda elettronica - Electronic card	€ 18.00
CE norms	* 28	32W3240	Microinterruttore - Microswitch	€ 12.00
"1/4" M-F"	29	33Q6210	Raccordo - Nipple	€ 3.00
"L 90° 1/4" M-F"	30	33Q6040	Raccordo - Nipple	€ 4.00
"1/4" M ø12"	31	33Q5180	Portagomma - Cluch	€ 3.00
ø12	32	33M0960	Tubo - Pipe	€ 4.00
	33	36D9660	Saltarello - Leaper	€ 24.00
	34	36G2040	Perno - Pivot	€ 5.00
(PPN-PPF-LCN-LCF10)	35	30W2930	Carcassa - Housing	€ 250.00
(PPN-PPF-LCN-LCF18)	35	SL2694	Carcassa - Housing	€ 267.00
(PPF-LCF10-18)	36	35D7790	Fondo - Bottom	€ 16.00
(PPN-LCN10-18)	36	SL3369	Fondo - Bottom	€ 25.00
	37	36C0011	Telaio - Frame	€ 6.00
	38	37Q7860	Guarnizione - Gasket	€ 28.00
CE norms	* 39	3600160	Magnete - Magnet	€ 2.00
28/01/08 f.p.(*)	40	SL2494	Tela abrasiva - Emery cloth	€ 23.00
	* 40	SL3544	Tela abrasiva - Emery cloth	€ 26.00
Assembly	41	6005380	Coperchio - Cover	€ 62.00
Assembly	42	SA3400	Sportello - Door	€ 23.00
	43	36D9550	Boccola - Bush	€ 3.00
28/01/08 f.p.(*)	44	SL2135	Disco - Disk	
	44	SL3543	Disco - Disk	€ 42.00
Assembly (PPN-PPF10-18)	45	ACPTA	Disco patate - Potato disk	€ 185.00
Assembly (PPF-LCF10-18)	46	ACCI	Telaio - Frame	€ 180.00
	47	36M5090	Maniglia - Handle	€ 10.00
	* 48	SL2871	Guarnizione - Gasket	€ 17.00
	49	36Z6501	Coperchio - Cover	€ 44.00
CE norms	* 50	3600310	Magnete - Magnet	€ 3.00
	51	35V6381	Staffa - Bracket	€ 4.00
01/01/04 f.p.(*)	52	32Z3030	Scheda elettronica - Electronic card	€ 63.00
01/01/04 f.p.(*)	53	30A3560	Pannello - Panel	€ 10.00
01/01/04 f.p.(*)	54	SL1504	Etichetta - Label	
(PPN-PPF-LCN-LCF10-18)				
01/01/04 f.p.(*) (2 speed - PPN-PPF-LCN-LCF10-18)	54	SL1505	Etichetta - Label	

*Ricambio consigliato - Advised spare parts

Зип Общепит

vsezip.ru

+7(812)987-68-81



POS.	CODE
24	SA3460
25	SA1072
26	35M8840
27	32Z4840
27	SL2921
27	SL4338
28	32W3240
29	33Q6210
30	33Q6040
31	33Q5180
32	33M0960
33	36D9660
34	36G2040
35	30W2930
35	SL2694
36	35D7790
36	SL3369
37	36C0011
38	37Q7860
39	3600160
40	SL2494
40	SL3544
41	6005380
42	SA3400
43	36D9550
44	SL2135
44	SL3543
45	ACPTA
46	ACCI
47	36M5090
48	SL2871
49	36Z6501
50	3600310
51	35V6381
52	32Z3030
53	30A3560
54	SL1504
54	SL1505



**TAVOLA RICAMBI
SPARE PARTS**

ppn-ppf-lcn-lcf10-18m



Зип Общеделни
TAVOLA RICAMBI
SPARE PARTS

ppn-ppf-lcn-lcf10-18m
0

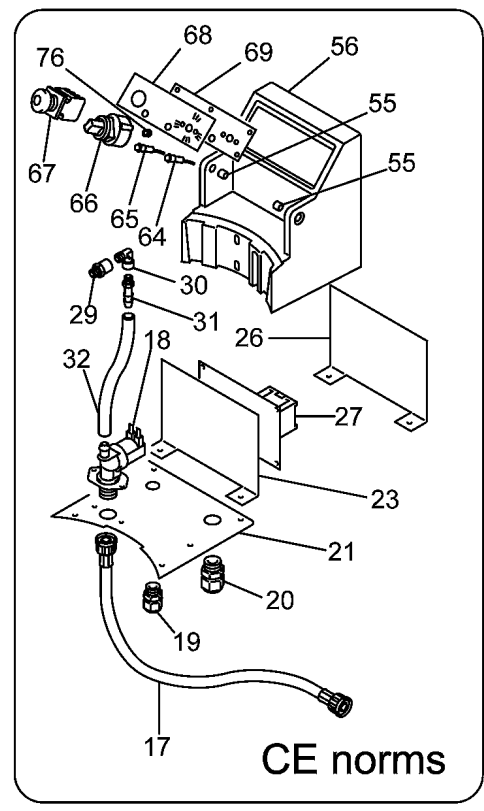
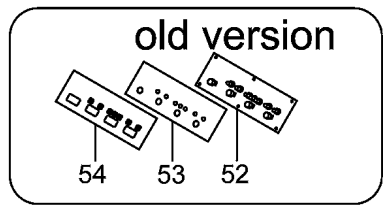
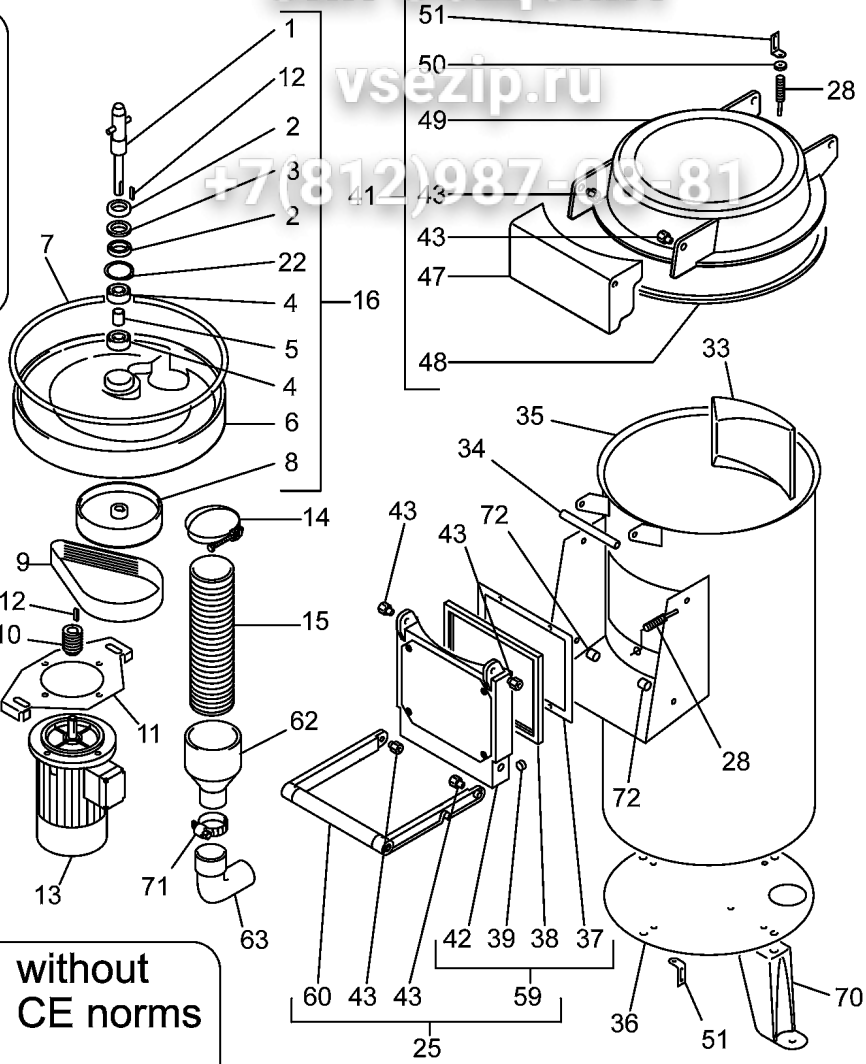
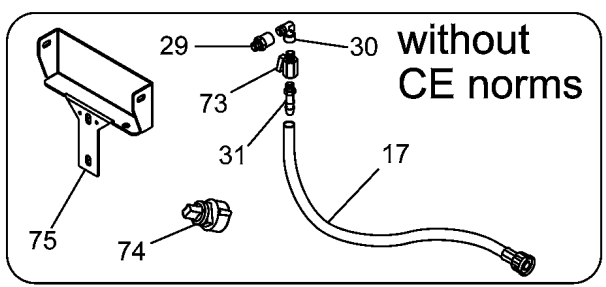
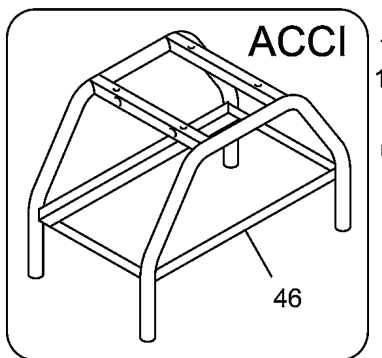
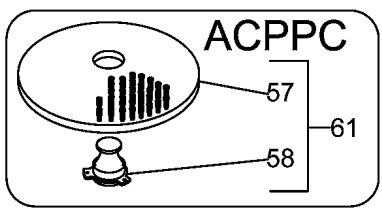
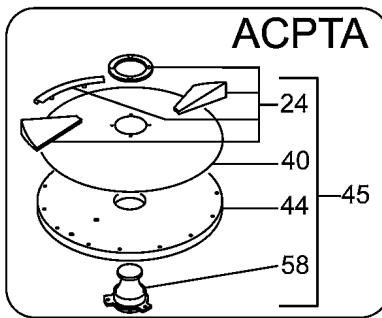
SPEC.	N.	CODE	DENOMINAZIONE - DENOMINATION	PRICE
	55	36D7310	Boccola - Bush	€ 2.00
	56	36Z0690	Scatola - Box	€ 33.00
	57	36G0830	Disco cozze - Mussel disk	€ 88.00
	58	SL3217	Pannello - Knob	€ 33.00
Assembly	59	6000930	Sportello - Door	€ 42.00
Assembly	60	SA1093	Maniglia - Handle	€ 14.00
Assembly (LCN-LCF10-18)	61	ACPPC	Disco cozze - Mussel disk	€ 225.00
ø100-ø50 (PPN-LCN10-18)	62	SL2720	Riduzione - Reduction	€ 10.00
ø50 (PPN-LCN10-18)	63	SL2719	Gomito - Bend	€ 4.00
230V 2W green	* 64	32W2970	Lampada - Lamp	€ 3.00
230V 2W white	* 65	32W3280	Lampada - Lamp	€ 3.00
	* 66	SA1087	Timer - Timer	€ 18.00
Unstable	* 67	SA1088	Pulsante - Push button	€ 21.00
01/12/08 f.p.(*)	68	SL3530	Etichetta - Label	
	68	SL3705	Etichetta - Label	
01/12/08 f.p.(*)	69	30A3620	Pannello - Panel	€ 12.00
	69	SL3693	Pannello - Panel	€ 11.00
(PPN-LCN10-18)	* 70	SL3223	Piedino - Foot	€ 19.00
ø50÷ø70 (PPN-LCN10-18)	71	SL2745	Fascetta - Clip	€ 4.00
	72	SL2349	Perno - Pivot	€ 1.00
"1/4" M-F"	73	SL1622	Rubinetto - Cock	€ 12.00
Assembly	74	SA1092	Timer - Timer	€ 27.00
	75	SL2904	Staffa - Bracket	€ 37.00
V-8-S	76	SL0772	V-ring - V-ring	€ 1.00

*Ricambio consigliato - Advised spare parts

Зип Общепит

vsezip.ru

+7(812)987-68-81



POS. CODE

55	36D7310
56	36Z0690
57	36G6880
58	SL3267
59	6000930
60	SA1093
61	ACPPC
62	SL2720
63	SL2719
64	32W2970
65	32W3280
66	SA1087
67	SA1088
68	SL3530
68	SL3705
69	30A3620
69	SL3693
70	SL3223
71	SL2745
72	SL2349
73	SL1622
74	SA1092
75	SL2904
76	SL0772