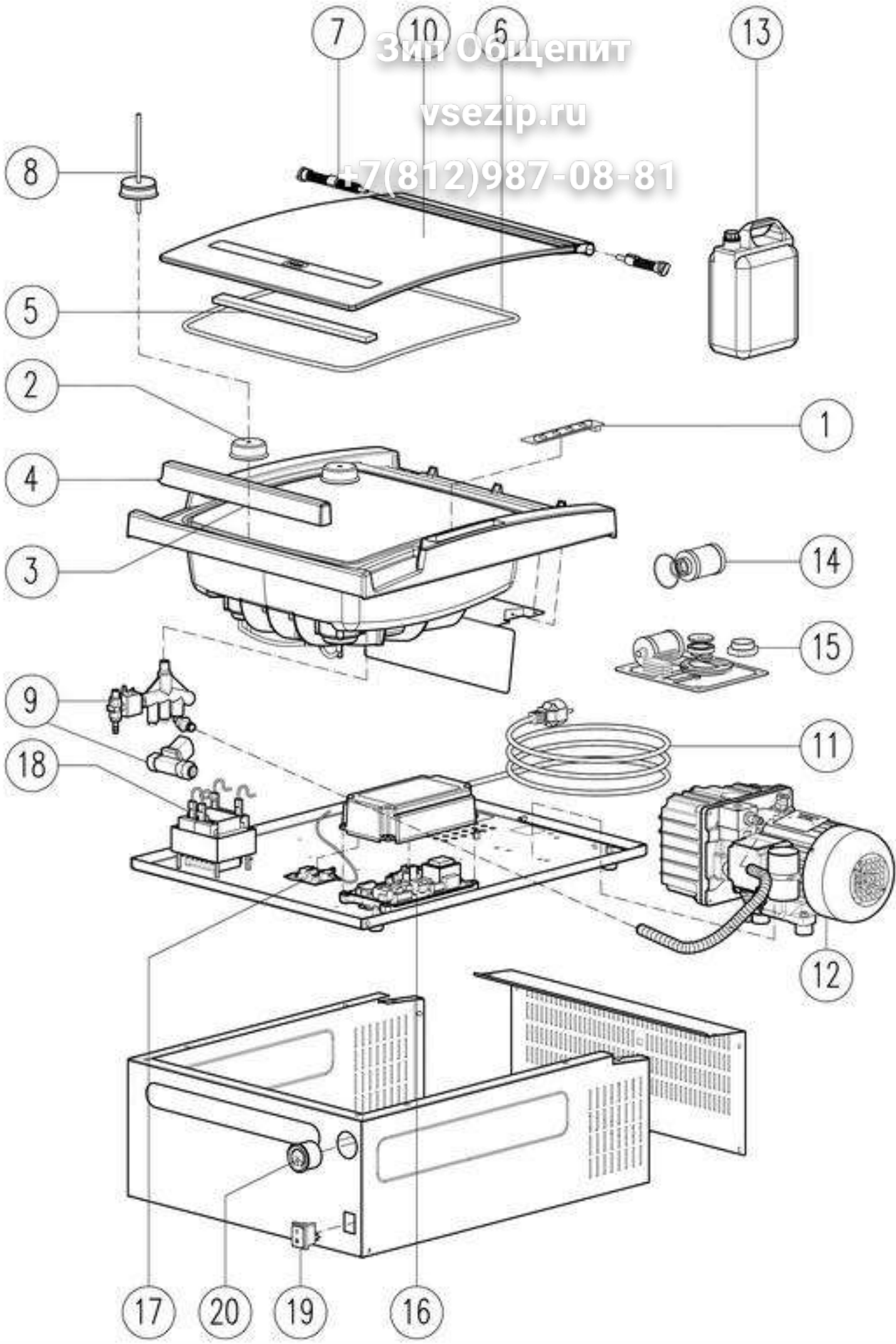


Зип Общепит

vsezip.ru

+7(812)987-08-81



N°	Description	M.U.	Item Code
01	<input type="checkbox"/> COMMAND BOARD J052	PZ.	1603217
02	<input type="checkbox"/> PROTECTIVE CAP (2 PCS)	PZ.	1604056
03	<input type="checkbox"/> SEALING BAR EVOX30/MC CASS	PZ.	1604043
04	<input type="checkbox"/> TEFLON BAND 65MM (1 MT)	MT	1604095
05	<input type="checkbox"/> SILICONE RUBBER 20X8X320	PZ.	1604083
06	<input type="checkbox"/> COVER SEAL (1 MT)	MT	1602701
07	<input type="checkbox"/> HINGES (L+R)	PZ.	1604052
08	<input type="checkbox"/> PISTON ASSEMBLY (2 PCS)	PZ.	1604077
09	<input type="checkbox"/> SOLENOID VALVE UNIT 1/4" 230V	PZ.	1601906
10	<input type="checkbox"/> LID COMPLETE EVOX 30	PZ.	1601910
11	<input type="checkbox"/> POWER CABLE 3X1X3000 SHUKO EUR	PZ.	1603292
12	<input type="checkbox"/> VACUUM PUMP LB 8 230V 50/60HZ	PZ.	1601638
13	<input type="checkbox"/> PUMP OIL ORV40 10L	PZ.	1601037
	<input type="checkbox"/> PUMP OIL ORV40 500ML	PZ.	1601423
14	<input type="checkbox"/> MINOR KIT FOR VACUUM PUMP LB8/LC12/LA12	PZ.	1601010
15	<input type="checkbox"/> MAJOR KIT LB8 (K9601055/1)	PZ.	1600832
16	<input type="checkbox"/> POWER BOARD L084 230V EVOX30	PZ.	1601836
17	<input type="checkbox"/> PRESSURE TRANSDUCER MODULE B063.0	PZ.	1603278
18	<input type="checkbox"/> TRANSFORMER 200VA 230/10-12-16V	PZ.	1604098
19	<input type="checkbox"/> MAIN SWITCH 20A	PZ.	1604071
20	<input type="checkbox"/> VACUUM GAUGE D=40	PZ.	1604105

Зип Общийит

vsezip.ru

+7(812)987-08-81