

Зип Общепит

**SIMMAG**  
vsezip.ru  
+7(812)987-08-81

**SDN 45**

**SDN 65**

**R 134 A VERSION**

**SPARE PARTS LIST  
CATALOGO RICAMBI  
CATALOGUE PIÈCES DÉTACHÉES  
ERSATZTEILENKATALOG**

Зип-Общепит

vsezip.ru

+7(812)987-08-81

PAGE PAGINA PAGE SEITE	TABLE OF CONTENTS	INDICE	TABLE DES MATIERES
1	TABLE OF CONTENTS	INDICE	TABLE DES MATIERES
2/3	UNIT PANELS	ASSIEME MOBILE	ENS. CAROSSERIE
4/5	REFRIGERANT SYSTEM AIR COOLED	SISTEMA REFRIGERANTE RAFFR. AD ARIA	CIRCUIT FRIGORIFIQUE REFROID. A AIR
6/7	REFRIGERANT SYSTEM WATER COOLED	SISTEMA REFRIGERANTE RAFFR. AD ACQUA	CIRCUIT FRIGORIFIQUE REFROID. A EAU
8/9	WATER SYSTEM	CIRCUITO IDRAULICO	CIRCUIT HYDRAULIQUE
10/11	CONTROL BOX	SCATOLA DI CONTROLLO	BOITE ELECTRIQUE
12	COMPRESSOR AND ELECTRIC COMPONENT CHARTS	TABELLA COMPRESSORI E COMPONENTI ELETTRICI	LISTE DES COMPRESSEURS ET COMPOSANTS ELECTRIQUE



## SDN 45- SDN 65 -UNIT PANELS - ASSIEME MOBILE - ENS. CARROSSERIE - MACHINE GEHAUSE-

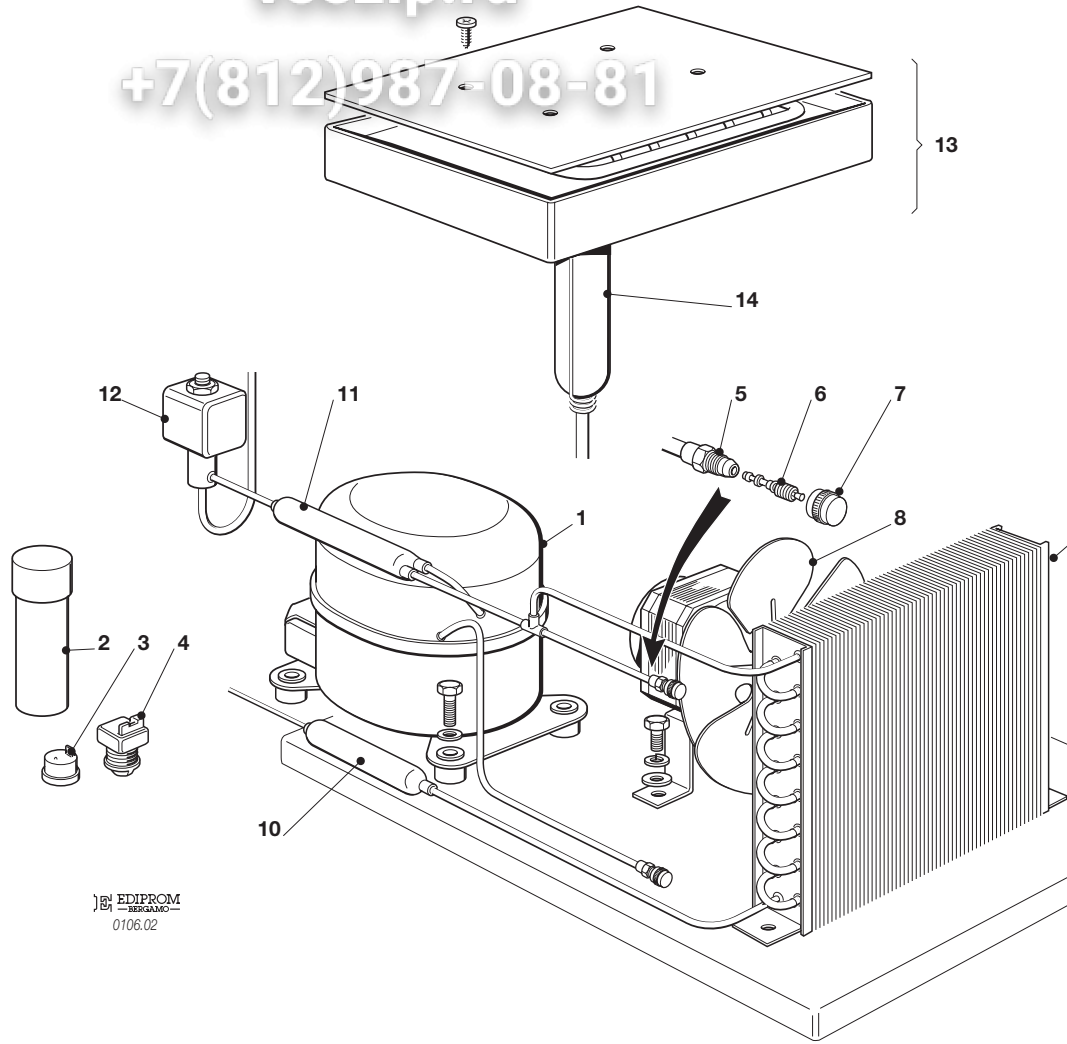
+7(812)987-08-81

ITEM NO POS NO REP. NO REF. NO	PART NO - CODICE REFERENCE - STUECK NR.	DESCRIPTION	DESCRIZIONE	DESIGNATION	BESCHREIBUNG
1	702510 00	BASE	PIASTRINA DI BASE	PLAQUE DE BASE	GRUNDPLATTE
2	782094 05 782094 06	INSULATED BIN ASSY SDN 45 INSULATED BIN ASSY SDN 65	ASSIEME CELLA ISOLATA SDN 45 ASSIEME CELLA ISOLATA SDN 65	ENS. CABINE SDN 45 ENS. CABINE SDN 65	ISOLIEREISSPEICHER SDN 45 ISOLIEREISSPEICHER SDN 65
3	660635 04	EVAPORAT. HOUSING	INVOLUCRO EVAPORAT.	CHAMBRE INTERIEUR	CELLE INTERN
4	732016 08	BIN DOOR BRACKET	ASTA PORTELLO	TIGE PORTE	KLAPPENACHSE
5	650714 00	ICE DEFLECTOR	GRIGLIA SCORRIMENTO CUBETTI	GRILLE GLISSEMENT GLAÇON	ABGLEITGRILL
6	783172 00R	CURTAIN ASSY	ASSIEME TENDINA	ENS. LAMELLE	ABDECKKLAPPE GESAMTHEIT
7	660388 00	LEFT CURTAIN SUPPORT	SUPP. TENDINA SINISTRO	SUPP. LAMELLE GAUCHE	LINKE ABDECKKLAPPE HALTERUNG
8	660388 01	RIGHT CURTAIN SUPPORT	SUPP. TENDINA DESTRO	SUPP. LAMELLE DROITE	RECHTE ABDECKKLAPPE HALTER.
9	732017 02	BULB HOLDER	TUBO PORTABULBO	TUBE PORTEBULBE	FUEHLERHALTER
10	660741 00	PLASTIC PLUG	TAPPO INVOLUCRO EVAPORAT.	BOUCHON EN PLASTIQUE	PLASTIKSTOPFEN
11	460047 01	SPRING	MOLLA	RESSORT	FEDER
12	722307 00 722311 00	LEFT PANEL SDN 45 LEFT PANEL SDN 65	PAN.LO LAT. SX SDN 45 PAN.LO LAT. SX SDN 65	JOUE GAUCHE SDN 45 JOUE GAUCHE SDN 65	LINKE ABDECKL. HALTER. SDN 45 LINKE ABDECKL. HALTER. SDN 65
13	722306 00 722310 00	RIGHT PANEL SDN 45 RIGHT PANEL SDN 65	PAN.LO LAT. DX SDN 45 PAN.LO LAT. DX SDN 65	JOUE DROITE SDN 45 JOUE DROITE SDN 65	RECHTEGEHÄUS. EDELST. SDN 45 RECHTEGEHÄUS. EDELST. SDN 65
14	660883 00	FRONT SWITCH PLASTIC PROT	CARTER PROTEZIONE INTERRUPT	CARTER PROTECTION INTERRUPT	SCHALTERABDECKUNG
15	722309 00 722309 01 722312 00 722312 01	FRONT PANEL AIR SDN 45 FRONT PANEL WATER SDN 45 FRONT PANEL AIR SDN 65 FRONT PANEL WATER SDN 65	PAN.LO ANT. ARI A SDN 45 PAN.LO ANT. ACQUA SDN 45 PAN.LO ANT. ARI A SDN 65 PAN.LO ANT. ACQUA SDN 65	PAN.AU AVANT . AIR SDN 45 PAN.AU AVANT . EAU SDN 45 PAN.AU AVANT . AIR SDN 65 PAN.AU AVANT . EAU SDN 65	VOR.WAND ED.T. LUFT SDN 45 VOR.WAND ED.T. WASS. SDN 45 VOR.WAND ED.T. LUFT SDN 65 VOR.WAND ED.T. WASS. SDN 65
16	660889 00 660889 01	AIR FILTER SEAT SDN 45 AIR FILTER SEAT SDN 65	SEDE FILTRO ARIA SDN 45 SEDE FILTRO ARIA SDN 65	SIEGE FILTRE A AIR SDN 45 SIEGE FILTRE A AIR SDN 65	LUFTFILTERHALTER SDN 45 LUFTFILTERHALTER SDN 65
17	660888 00 660888 01	AIR FILTER SDN 45 AIR FILTER SDN 65	FILTRO ARIA SDN 45 FILTRO ARIA SDN 65	FILTRE A AIR SDN 45 FILTRE A AIR SDN 65	LUFT FILTIER SDN 45 LUFT FILTIER SDN 65
18	660887 00	SLIDE, AIR FILTER	GUIDA FILTRO ARIA	GLISSIERE FILTRE A AIR	FUHRUNF FUR LUFTFILTIER
19	782092 06R	BIN DOOR	SPORTELLO	PORTE CABINE	SPEICHERTUER
20	702324 00 702325 00	REAR PANEL SDN 45 REAR PANEL SDN 65	PANNELLO POSTERIORE SDN 45 PANNELLO POSTERIORE SDN 65	PANNEAU POSTERIEUR SDN 45 PANNEAU POSTERIEUR SDN 65	HINTERE ABDECKUNG SDN 45 HINTERE ABDECKUNG SDN 65
21	702301 00	METAL BRACKET FOR FITTING	SUPPORTO ATTACCHI	SUPPORT DE RACCORDS	METALLTRÄGER
22	650790 00	STUD	PERNO	AXE	STIFT
23	722308 00	TOP PANEL	PANNELLO SUPER. INOX	ENS. COUVERCLE	DECKEL GESAMTHEIT
24	660884 03	LEFT TOP CAP	TAPPO IN PLASTICA SINISTRO	CAPUCHON EN PLAST. GAUCHE	PLASTIK PROFEN LINK
25	660884 02	RIGHT TOP CAP	TAPPO IN PLASTICA DESTRO	CAPUCHON EN PLAST. DROITE	PLASTIK PROFEN RECHT
26	650806 00	REAR STUD	PERNO POSTERIORE	AXE ARRIÈRE	TRÄGEN - HINTEN
27	650976 00	SIMAG LOGO	TARGHETTA SIMAG	EMBLEME SIMAG	SIMAG ABGEBILDET
28	650975 05 650975 06	SDN 45 LABEL SDN 65 LABEL	TARGHETTA SDN 45 TARGHETTA SDN 65	EMBLEME SDN 45 EMBLEME SDN 65	SDN 45 ABGEBILDET SDN 65 ABGEBILDET
29	660638 02	LEG	PIEDE REGOLABILE	PIED RÉGLABE	GERÄTEFUSS
30	650071 00	ICE SCOOP	SESSOLA	SASSE	EISSCHAUFEL
31	060513 00	KIT WATER SUPPLY PIPE	KIT TUBO ALIM. ACQUA	KIT TUYAU D'ALIM. EAU	WASSER ANSCHLUSSSCHLAUCH
32	060513 01	KIT WATER DRAIN PIPE	KIT TUBO SCARICO ACQUA	KIT TUYAU VIDANGE EAU	WASSER SLAUFSCHLAUCH

Зип-Общепит

vsezip.ru

+7(812)987-08-81



EDIPROM  
—SERVING—  
0106.02

Зип Общепит

SDN 45 - SDN 65 - REFRIGERANT SYSTEM AIR COOLED - SISTEMA REFRIGERANTE

CIRCUIT FRIGORIFIQUE REFROID. PAR AIR - LUFTGEKÜHLT

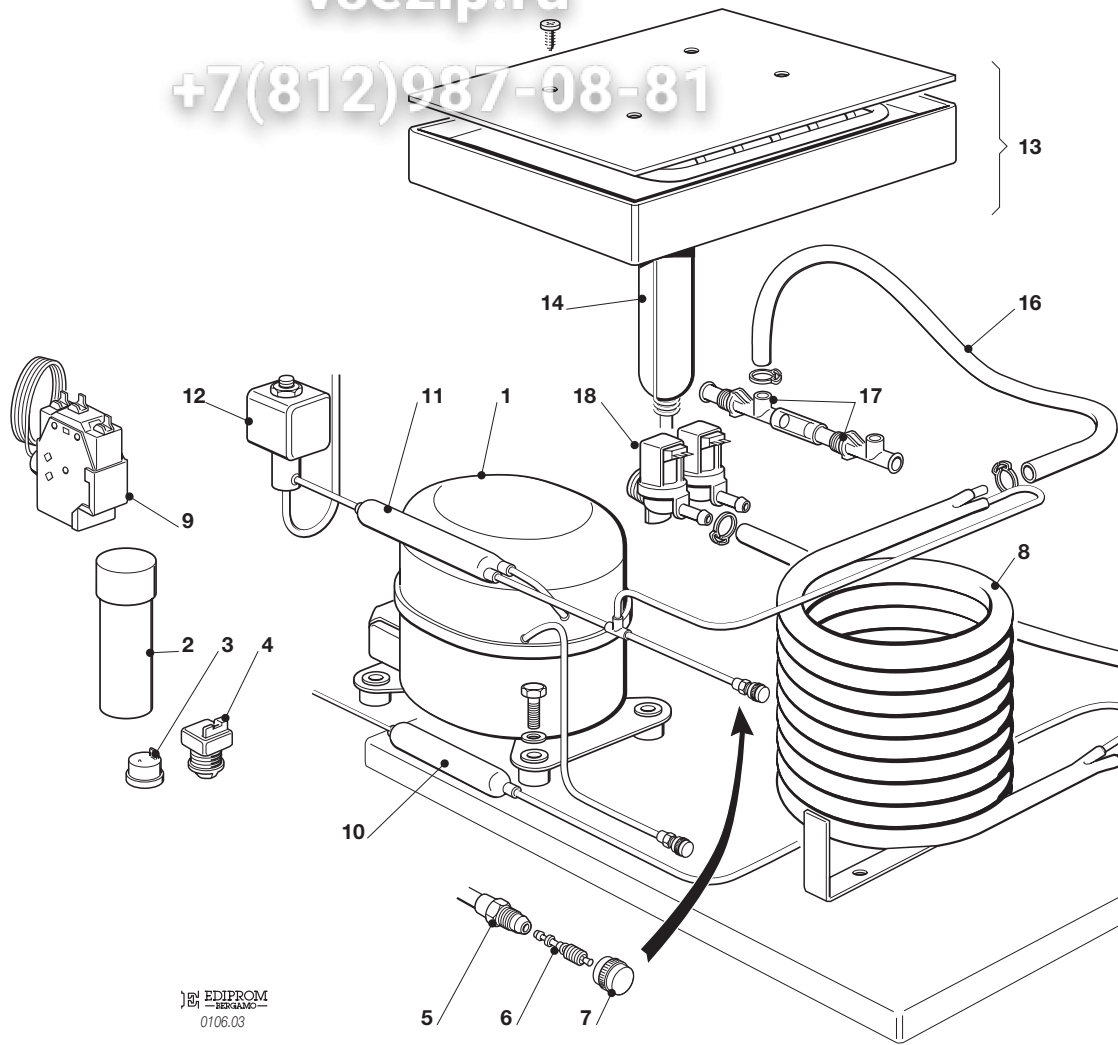
vsezip.ru

ITEM NO POS NO REP. NO REF. NO	PART NO - CODICE REFERENCE - STUECK NR.		DESCRIPTION	DESCRIZIONE	DESIGNATION
	SDN 45	SDN 65			
1	670100 00	670100 01	COMPRESSOR	COMPRESSORE	COMPRESSEUR
2	620167 29	620167 29	START CAPACITOR	CONDENSATORE D'AVVIAMENTO	CAPACITE DE DEMARRAGE
3	620478 03	620058 67	PROTECTOR	PROTETTORE	PROTECTEUR
4	620057 31	620057 56	RELAY	RELÈ	RELAIS
5	650109 00		VALVE BODY	CORPO VALVOLA	CORPS DE VANNE
6	670012 00		VALVE PISTON	PISTONCINO VALVOLA	PISTON
7	650106 00		VALVE CAP	CAPPUCCIO VALVOLA	CAPUCHON DE VANNE
8	620419 02 620419 32	620419 33	FAN MOTOR FAN BLADE	MOTOVENTILATORE VENTOLA	MOTO-VENTILATEUR HELICE
9	620420 00	620439 00	AIR COOLED CONDENSER	CONDENSATORE AD ARIA	CONDENSEUR
10	630003 05		DRIER	FILTRO DEUMIDIFICATORE	FILTRE DESHYDRATEUR
11	630137 00	630137 01	MECHANICAL FILTER	FILTRO MECCANICO	FILTRE MECANIQUE
12	620306 48 620306 27		HOT GAS VALVE COIL HOT GAS VALVE BODY	BOBINA VALVOLA GAS CALDO CORPO VALVOLA GAS CALDO	BOBINE VANNE GAZ CHAUD CORP VANNE GAZ CHAUDS
13	784480 00	784480 01	EVAPORATOR ASSY	ASSIEME EVAPORATORE	ENS. EVAPORATEUR
14	784444 03	784444 15	ACCUMULATOR ASSY	ASSIEME ACCUMULATORE	ENS. ACCUMULATEUR
*	-	620075 00	PRESSURE CONTROL	PRESSOSTATO	PRESSOSTAT

Зип-Общепит

vsezip.ru

+7(812)987-08-81



EDIPROM BERGAMO 0106.03

**SDN 45 - SDN 65** REFRIGERANT SYSTEM WATER COOLED - SISTEMA REFRIGERANTE RAFFREDDAMENTO  
 CIRCUIT FRIGORIFIQUE REFROID. PAR EAU - WASSERGEKOHLT GEFRIERUNG

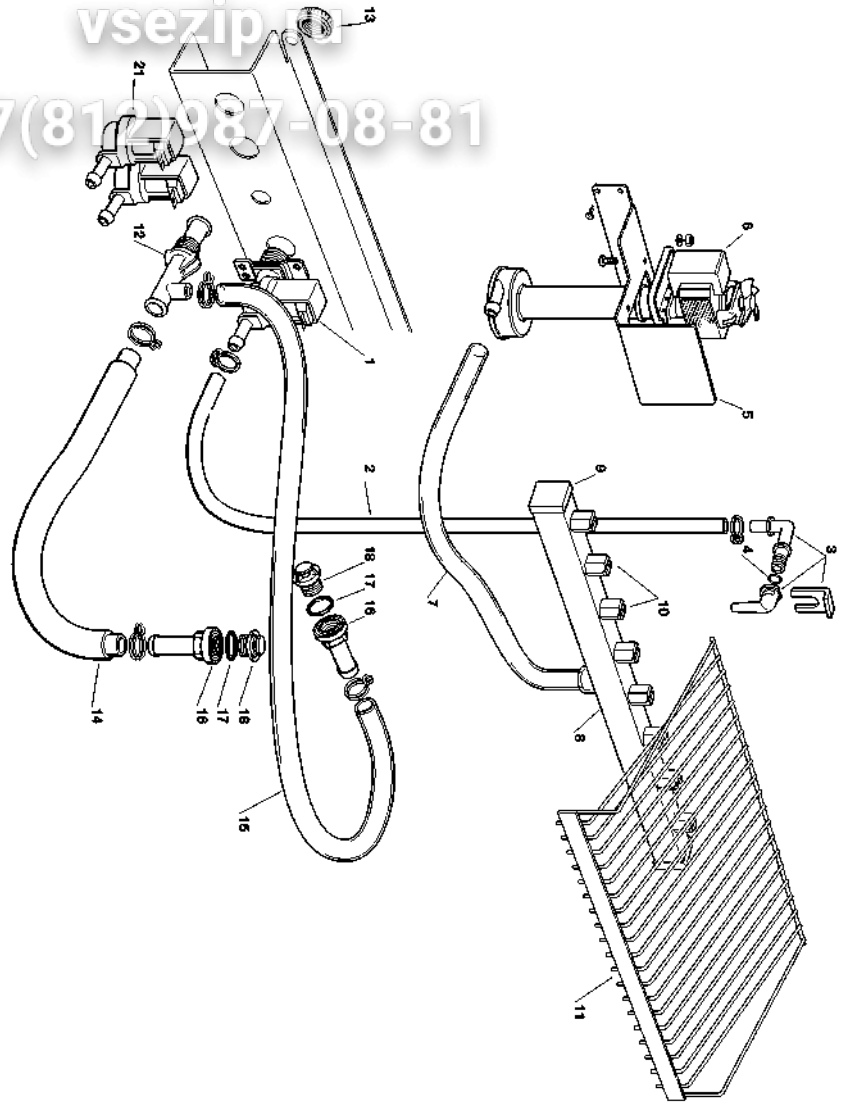
ITEM NO POS NO REP. NO REF. NO	PART NO - CODICE REFERENCE - STUECK NR.		DESCRIPTION	DESCRIZIONE	DESIGNATION
	SDN 45	SDN 65			
1	670100 00	67010001	COMPRESSOR	COMPRESSORE	COMPRESSEUR
2	620167 29	620167 29	START CAPACITOR	CONDENSATORE D'AWIAMENTO	CAPACITE DE DEMARRAGE
3	620478 03	620058 67	PROTECTOR	PROTETTORE	PROTECTEUR
4	620057 31	620057 56	RELAY	RELÈ	RELAIS
5	650109 00		VALVE BODY	CORPO VALVOLA	CORPS DE VANNE
6	670012 00		VALVE PISTON	PISTONCINO VALVOLA	PISTON
7	650106 00		VALVE CAP	CAPPUCCIO VALVOLA	CAPUCHON DE VANNE
8	620389 00		WATER COOLED CONDENSER	CONDENSATORE ACQUA	CONDENSEUR A EAU
9	620499 01		PRESSURE CONTROL	PRESSOSTATO	PRESSOSTAT
10	630003 05		DRIER	FILTRO DEUMIFICATORE	FILTRE DESHYDRATEUR
11	630137 00	63013701	MECHANICAL FILTER	FILTRO MECCANICO	FIL TRE MECANIQUE
12	620306 48 620306 27		HOT GAS VALVE COI L HOT GAS VALVE BODY	BOBINA VALVOLA GAS CALDO CORPO VALVOLA GAS CALDO	BOBINE VANNE GAZ CHAUDS CORP VANNE GAZ CHAUDS
13	784480 00	784480 01	EVAPORATOR ASSY	ASSIEME EVAPORATORE	ENS. EVAPORATEUR
14	784444 03	784444 15	ACCUMULATOR ASSY	ASSIEME ACCUMULATORE	ENS. ACCUMULATEUR
15	281900 01		PLASTIC TUBE - PER METER	TUBO PVC - PER METRO	TUYAU EN PLASTIQUE - POUR
16	281900 01		PLASTIC TUBE - PER METER	TUBO PVC - PER METRO	TUYAU EN PLASTIQUE - POUR
17	660224 00		WATER DRAIN FITTING	RACCORDO SCARICO ACQUA	RACCORD EVACUATION EAU
18	650105 70		WATER INLET VALVE	ELETTROVALVOLA DOPPIA	VANNE ARRIVÉE EAU



Зип Ощепит

vsezip.ru

+7(812)987-08-81



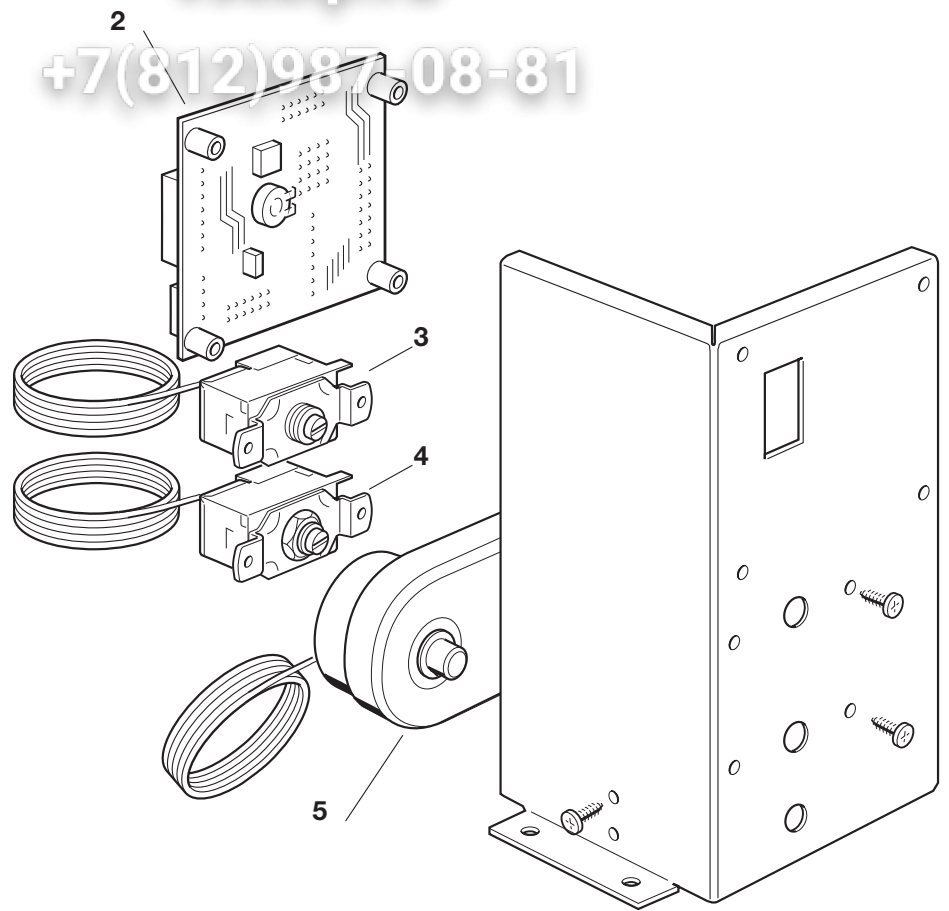
## SDN 45- SDN 65 - WATER SYSTEM - CIRCUITO IDRAULICO - CIRCUIT HYDRAULIQUE - WASS

ITEM NO POS NO REP. NO REF. NO	PART NO CODICE REFERENCE STUECK NR	DESCRIPTION	DESCRIZIONE	DESIGNATION
1	650105 66	WATER INLET VALVE - AIR COOLED	ELETTROVALVOLA INGR. ACQUA	ELECTROVANNE ARR. EAU - REFR.
2	281900 01	PLASTIC TUBE - PERIMETER	TUBO IN PRESSO ACQUA	TUYAU EN PLASTIQUE - POUR MT.
3	793172 00R	WATER INLET ELBOW ASSY	ASS. INGR. ACQUA A GOMITO	ENS. ENTREE EAU COUDEE
4	640041 31	O-RING	GUARNIZIONE	JOINT TORIQUE
5	724333 00	METAL BRACKET	SUPPORTO POMPA	SUPPORT METALLIQUE
6	620433 00	WATER PUMP	POMPA	POMPE A EAU
7	610150 03	PUMP INLET WATER PIPE	TUBO MANDATA POMPA	TUYAU EVACUATION
8	650665 19	SPRAY BAR SDN 45	TUBO SPRUZZATORE SDN 45	COLLECTEUR SDN 45
	650665 20	SPRAY BAR SDN 65	TUBO SPRUZZATORE SDN 65	COLLECTEUR SDN 65
9	660557 00	PLUG	UGELLO SPRUZZATORE	BOUCHON POUR COLLECTEUR
10	660558 00	SPRAYJET	SPRUZZATORI	GICLEURS
11	650714 00	ICE DEFLECTOR	GRIGLIA SCORRIMENTO CUBETTI	GRILLE GLISSEMENT GLAÇON
12	640134 00	WATER DRAIN FITTING	RACCORDO A "T"	RACCORD EVACUATION EAU
13	660211 01	PLASTIC RING NUT	GHIERA	COLLIER DE SERRAGE EN PLAST.
14	610148 20	STORAGE BIN DRAIN	TUBO SCARICO CONTENITORE	TUYAU VIDANGE CONTENEUR
15	610204 00	OVERFLOW DRAIN TUBE	TUBO SCARICO TROPPO PIENO	TUYAU VIDANGE TROP PLAIN
16	660219 01	BIN DRAIN	RACCORDO DI SCARICO	RACCORD EVACUATION
17	640134 00	O-RING	GUARNIZIONE	JOINT TORIQUE
18	660211 01	DRAIN FILTER	FILTRO SCARICO	FILTRE EVACUATION EAU
21	650105 70	WATER INL. VAL. - WATER COOLED	ELETTROVALVOLA INGR. ACQUA	ELECTROV. ARR. EAU c REFR. EAU

Зип Общепит

vsezip.ru

+7(812)987-08-81



0

SDN 45-65 - CONTROL BOX - SCATOLA D. CONTROLLO - BOITE ELECTRIQUE

ITEM NO POS. NO REP. NO REF. NO	PART NO CODICE REFERENCE STUECK NR	DESCRIPTION	DESCRIZIONE	DESIGNATION
1	620453 00	SWITCH	INTERRUTTORE LUMINOSO	INTERRUPTEUR LUMINEUX
2	620507 00	ELECTRONIC TIMER SDN 45	TIMER ELETTRONICO SDN 45	MINUTERIE ELECTRONIQUE SDN 45
	620441 00	TIMER SDN 65	TIMER SDN 65	MINUTERIE SDN 65
3	630005 00	BIN THERMOSTAT	TERMOSTATO CONTENITORE	THERMOSTAT CONTENEUR
4	620201 01	EVAPORATOR THERMOSTAT	TERMOSTATO EVAPORATORE	THERMOSTAT EVAPORATEUR
5	620443 02	THERMOSTAT - SAFETY	TERMOSTATO DI SICUREZZA	THERMOSTAT DE SECURITÉ

# Зип Общепит

## SDN 45-65 COMPRESSOR CHART - TABELLA COMPRESSORI - TABLEAU COMPRESSEUR

MODEL MODELLO MODELE MODELL	VOLTS TENSIONE TENSION SPANNUNG	COMPRESSOR MODEL MOD. COMPRESSORE TYPE COMPRESSEUR KOMPRESSOR TYP	COMPRESSOR COMPRESSORE COMPRESSEUR KOMPRESSOR	RELAY RELE' RELAIS RELAIS	
SDN 45 SDN 65	115/60/1 115/60/1	- -	- -	- -	
SDN 45 SDN 65	230/60/1 230/60/1	GL 90 TG GP 14 TG	670100 07 670100 08	620057 37 620057 67	6 6
SDN 45 SDN 65	230/50/1 230/50/1	GL 90 TB GP 14 TB	670100 00 670100 01	620057 31 620057 66	6 6

## SDN 45-65 ELECTRIC COMPONENTS CHART - TABELLA COMPONENTI E TABLEAU COMPOSANTS ELECTRIQUE - ELEKTRISCHEKARTE

MODEL MODELLO MODELE MODELL	VOLTS TENSIONE TENSION SPANNUNG	WATER PUMP POMPA POMPE A EAU WASSER PUMPE	FAN MOTOR ONLY MOTORE VENTILATORE MOTEUR VENTILATEUR LUFTER MOTOR	WATER INLET VALVE VALV. INGR. ACQUA V.E.M. ARRIVEE' EAU WASSEREIN. VENTIL	
SDN 45-65	115/60/1	-	-	-	
SDN 45-65	230/60/1	620433 01	620419 02	650105 66 / 650105 70 (AIR / WATER)	6
SDN 45 SDN 65	230/50/1 230/50/1	620433 00 620433 00	620419 04 620419 04	650105 66 / 650105 70 650105 66 / 650105 70 (AIR / WATER)	6 6